

# AIR CONDITIONER CASSETTE

**R410A**



**English**

Indoor unit cassette type

**CE**

## Content

<b>1. REQUIRED TOOLS FOR INSTALLATION WORK.....</b>	<b>2</b>
<b>2. SAFETY PRECAUTIONS .....</b>	<b>2</b>
<b>3. INSTALLATION/SERVICE TOOLS (Only for R410A product) .....</b>	<b>4</b>
<b>4. ACCESSORIES .....</b>	<b>5</b>
<b>5. OPTIONAL ACCESSORIES .....</b>	<b>6</b>
<b>6. LOCATION OF THE INDOOR AND OUTDOOR UNITS .....</b>	<b>6</b>
<b>7. INSTALLATION OF THE INDOOR UNIT .....</b>	<b>9</b>
<b>8. CONDENSATE HOSE CONNECTION .....</b>	<b>14</b>
<b>9. ELECTRICAL CONNECTION BETWEEN INDOOR AND OUTDOOR UNIT .....</b>	<b>16</b>
<b>10. REFRIGERANT TUBING.....</b>	<b>19</b>
<b>11. PANEL INSTALLING.....</b>	<b>21</b>
<b>12. FINAL TASKS.....</b>	<b>23</b>

The appliance shall not be installed in the laundry

**Note:**

This manual is for single split applications.

For multi split applications please use installation manual supplied within outdoor unit package.

**This manual can be modified at any moment**

## 1. REQUIRED TOOLS FOR INSTALLATION WORK

1. Screw driver	7. Knife	13. Torque wrench
2. Electric drill, hole core drill ( $\Phi$ 60mm)	8. Gas leak detector	18 N. m (1.8kgf.m)
3. Hexagonal wrench	9. Measuring tape	35 N .m (3.5kgf.m)
4. Spanner	10. Thermometer	55 N .m (5.5kgf.m)
5. Pipe cutter	11. Megameter	14. Vacuum pump
6. Reamer	12. Multimeter	15. Gauge manifold (for R-410A)

## 2. SAFETY PRECAUTIONS

- Installation should be in accordance with local and national electrical and building fire safety regulations or codes.
- Read the following "SAFETY PRECAUTIONS" carefully before installation.
- Electrical work must be installed by a licensed electrician. Be sure to use the correct rating of the power plug and main circuit for the model to be installed.
- The caution items stated here must be followed because these important contents are related to safety. The meaning of each indication used is as below. Incorrect installation due to ignoring of the instruction will cause harm or damage, and the seriousness is classified by the following indications.
- Carry out test running to confirm that no abnormality occurs after the installation. Then, explain to user the operation, care and maintenance as stated in instructions. Please remind the customer to keep the operating instructions for future reference.

### WARNING

- 1) Engage qualified installers and follow instruction carefully. Otherwise it will cause electrical shock, water leakage, or esthetic problem.
- 2) Install at a strong and firm location which is able to withstand the set's weight. If the strength is not enough or installation is not properly done, the set will drop and cause injury.
- 3) For electrical work, follow the local national wiring standard, regulation and this installation instruction. An independent circuit and single outlet must be used. If electrical circuit capacity is not enough or defect found in electrical work, it will cause electrical shock or fire.
- 4) Use the specified cable and connect tightly for indoor/outdoor connection. Connect tightly and clamp the cable so that no external force will be acted on the terminal. If connection or fixing is not perfect, it will cause heat-up or fire at the connection.
- 5) Wire routing must be properly arranged so that control board cover is fixed properly. If control board cover is not fixed perfectly, it will cause heat-up at connection point of terminal, fire or electrical shock.
- 6) When carrying out piping connection, take care not to let air substances other than the specified refrigerant go into refrigeration cycle. Otherwise, it will cause lower capacity, abnormal high pressure in the refrigeration cycle, explosion and injury.
- 7) Do not damage or use unspecified power supply cord. Otherwise, it will cause fire or electrical shock.
- 8) Do not modify the length of the power supply cord or use of the extension cord, and do not share the single outlet with other electrical appliances. Otherwise, it will cause fire or electrical shock.
- 9) This equipment must be earthed. It may cause electrical shock if grounding is not perfect.

## ***Indoor unit cassette type***

---

- 10) Do not install the unit: in such places above, there is a risk of unit catching fire.
  - a) at places where leakage of flammable gas may occur, or oil or vapor or other flammable substances are in the air
  - b) above cookers, specially in kitchens
  - c) close to heating devices where units are exposed to high temperatures.
- 11) Carry out drainage piping as mentioned in installation instructions. If drainage is not perfect, water may enter the room and damage the furniture.
- 12) For appliances with supplementary heaters, the minimum clearance from the appliance to combustible is 50cm other wise, it will cause fire.

### **ATTENTION**

- 1) Selection of the installation location.  
Select an installation location which is rigid and strong enough to support or hold the unit, also for easy maintenance and repair.
- 2) Power supply connection to the room air conditioner.  
Connect the power supply cord of the room air conditioner to the mains using one of the following method.  
Power supply point shall be the place where there is ease for access for the power disconnection in case of emergency.  
In some countries, permanent connection of this room air conditioner to the power supply is prohibited.
- 3) Do not release refrigerant.  
Do not release refrigerant during piping work for installation, reinstallation and during repairing a refrigeration parts. Take care of the liquid refrigerant. it may cause frostbite.
- 4) Installation work. It may need two people to carry out the installation work.
- 5) Do not install this appliance in a laundry room or other location where water may drip from the ceiling, etc.
- 6) The temperature of refrigerant circuit will be high, please keep the interconnection cable away from the copper tube.



### 3. INSTALLATION/SERVICE TOOLS (Only for R410A product)

#### CAUTION

#### New Refrigerant Air Conditioner Installation

**THIS AIR CONDITIONER ADOPTS THE NEW HFC REFRIGERANT (R410A) WHICH DOES NOT DESTROY OZONE LAYER.** R410A refrigerant is apt to be affected by impurities such as water, oxidizing membrane, and oils because the working pressure of R410A refrigerant is approx. 1.6 times of refrigerant R22. Accompanied with the adoption of the new refrigerant, the refrigeration machine oil has also been changed. Therefore, during installation work, be sure that water, dust, former refrigerant, or refrigeration machine oil does not enter into the new type refrigerant R410A air conditioner circuit.






To prevent mixing of refrigerant or refrigerating machine oil, the sizes of connecting sections of charging port on main unit and installation tools are different from those used for the conventional refrigerant units. Accordingly, special tools are required for the new refrigerant (R410A) units. For connecting pipes, use new and clean piping materials with high pressure fittings made for R410A only, so that water and/or dust does not enter. Moreover, do not use the existing piping because there are some problems with pressure fittings and possible impurities in existing piping.

#### Changes in the product and components



In air conditioners using R410A, in order to prevent any other refrigerant from being accidentally charged, the service port diameter size of the outdoor unit control valve (3 way valve) has been changed. (1/2 UNF 20 threads per inch)

- In order to increase the pressure resisting strength of the refrigerant piping, flare processing diameter and opposing flare nuts sizes have been changed. (for copper pipes with nominal dimensions 1/2 and 5/8)

#### New tools for R410A







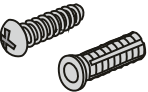
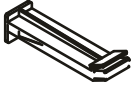

New tools for R410A	Applicable to R22 model	Changes
Gauge manifold	×	 As the working pressure is high, it is impossible to measure the working pressure using conventional gauges. In order to prevent any other refrigerant from being charged, the port diameters have been changed.
Charge hose	×	 In order to increase pressure resisting strength, hose materials and port sizes have been changed (to 1/2 UNF 20 threads per inch). When purchasing a charge hose, be sure to confirm the port size.
Electronic balance for refrigerant charging	○	 As working pressure is high and gasification speed is fast, it is difficult to read the indicated value by means of charging cylinder, as air bubbles occur.
Torque wrench (nominal dia. 1/2, 5/8)	×	 The size of opposing flare nuts have been increased. Incidentally, a common wrench is used for nominal diameters 1/4 and 3/8.
Flare tool (clutch type)	○	 By increasing the clamp bar's receiving hole size, strength of spring in the tool has been improved.
Gauge for projection adjustment	—	Used when flare is made by using conventional flare tool.

**Indoor unit cassette type**

Vacuum pump adapter	○		Connected to conventional vacuum pump. It is necessary to use an adapter to prevent vacuum pump oil from flowing back into the charge hose. The charge hose connecting part has two ports -- one for conventional refrigerant (7/16 UNF 20 threads per inch) and one for R410A. If the vacuum pump oil (mineral) mixes with R410A a sludge may occur and damage the equipment.
Gas leakage detector	×		Exclusive for HFC refrigerant.

- Incidentally, the "refrigerant cylinder" comes with the refrigerant designation (R410A) and protector coating in the U.S's ARI specified rose color (ARI color code: PMS 507).
- Also, the "charge port and packing for refrigerant cylinder" requires 1/2 UNF 20 threads per inch corresponding to the charge hose's port size.

**4. ACCESSORIES**

No.	Accessories part	Qty.	No.	Accessories part	Qty.
1	Manual package 	1	6	Twin-wire cable(optional) 	1
2	Remote control with batteries 	1	7	Power input cable (Optional) 	1
3	Remote control bracket (optional) 	1	8	Installation carton board (optional) 	1
4	Screws dowels 	6or4	9	Unit support(optional) 	2
5	Outdoor unit drain connector 	1			

## 5. ACCESSORIES

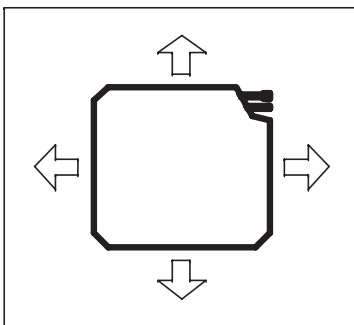
### Panel

**Note:** Decoration panel is separated from unit when packaging, select proper panel for different installation situation.

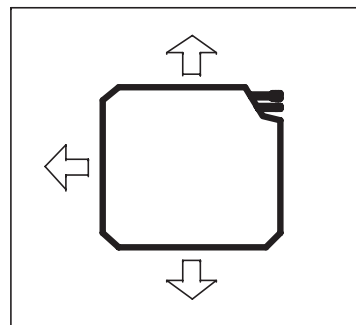
## 6. LOCATION OF THE INDOOR AND OUTDOOR UNITS

This air conditioner has the optional 2-way/3-way air discharging according to installation location. Use sealing material in accessory parts to seal the related air outlets.

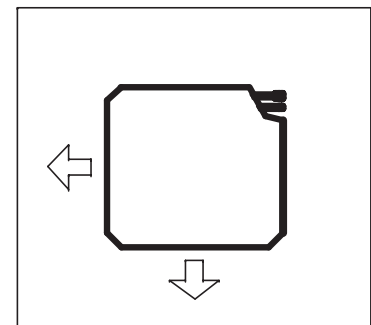
Air flow direction (example)



4-way direction (Default)



3-way direction



2-way direction

### Indoor unit

1. Do not install the cassette in a room where gasses, acids or inflammable products are stored, in order to avoid damage to the aluminum and copper evaporators and the internal plastic parts.
2. Do not install the cassette in a workshop or a kitchen. Oil vapor attracted by the treated air could form deposits on the cassette evaporators and modify their performance or damage the cassette's internal plastic parts.
3. Do not install the cassette in a laundry, or a room where steam is produced.
4. The appliance must be positioned so that the plug is accessible.
5. Installing the cassette will be easier with the use of a fork lift truck. Use the packing base by placing it between the cassette and the truck forks.
6. It is recommended to install the cassette, as far as possible, in the centre of the room, in order to optimize treated air distribution.
7. For the chosen location, check that the distribution grilles can be removed and that there is sufficient space available for maintenance and repairs.

## Indoor unit cassette type

---

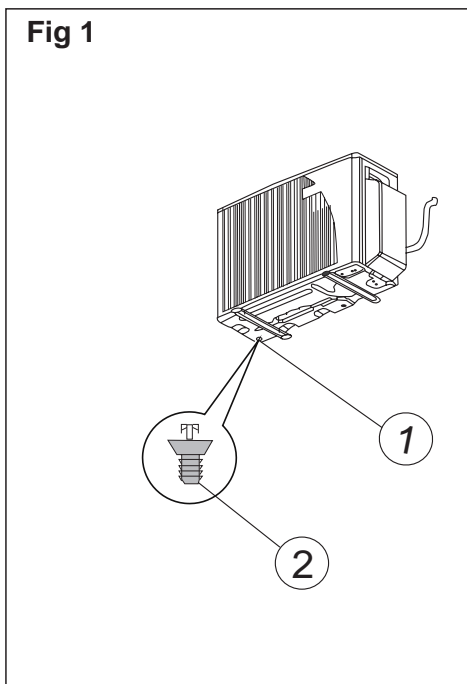
### Outdoor unit

1. The location must allow easy servicing and provide good air circulation as shown in fig 4.
2. The unit may be suspended from a wall by a bracket (Optional) or located in a free standing position on the floor (preferably slightly elevated).
3. If the unit is suspended, ensure that the bracket is firmly connected and the wall is strong enough to withstand vibrations.
4. Unit location should not disturb neighbors with noise or exhaust air stream.
5. Place the mounting pads under the unit legs.
6. Refer to figure 4 for allowed installation distances.

When the unit is installed on a wall, install the drain connector hose and drain plug as shown in fig1 and fig2.

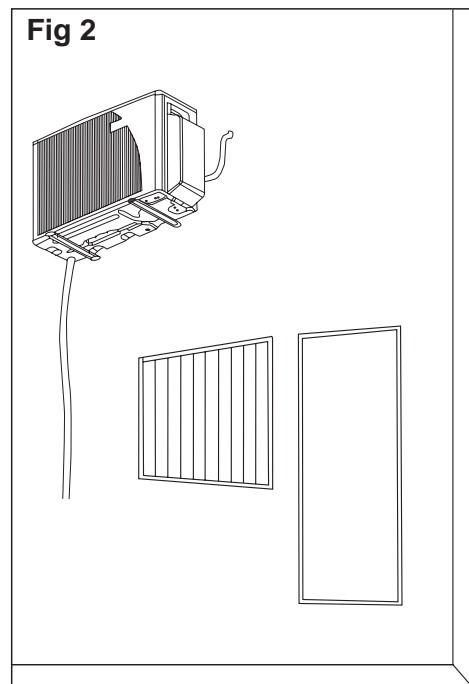
**Fig.1**

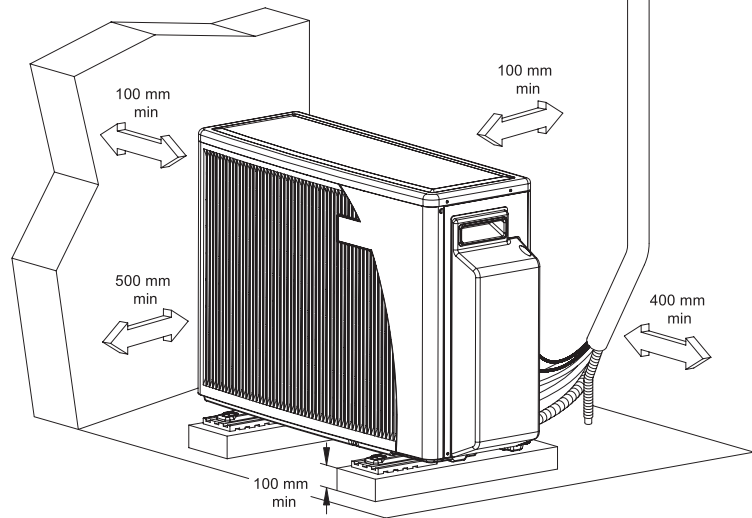
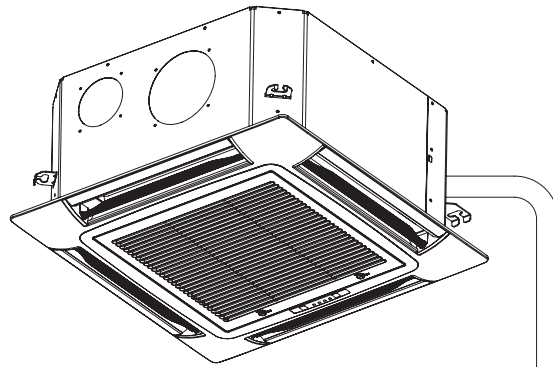
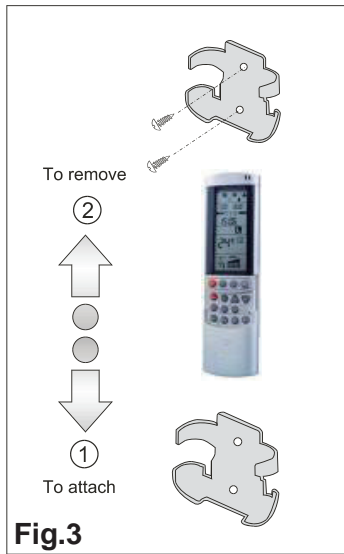
1. Bottom of outdoor unit
2. Drain connector



**Fig.2**

- Drain installation  
Example





MAXIMUM PIPE LENGTH & HEIGHT (TYPE ON-OFF)

CAPACITY (KBtu/h)	TUBE OD: LIQUID - GAS (Inch)	A- L.MAX (m)	B - H.MAX (m)	LENGTH OF PRECHARGE (m)	ADDITIONAL CHARGE (g/m)
12	1/4"-1/2"	20	10	5	15
18	1/4"-1/2"	25	15	5	15
24	3/8"-5/8"	25	15	5	30
30	3/8"-3/4"	25	15	5	30
36	3/8"-3/4"	30	20	5	30
48/60	3/8"-3/4"	50	25	5	30

MAXIMUM PIPE LENGTH & HEIGHT (TYPE INVERTER)

CAPACITY (KBtu/h)	TUBE OD: LIQUID - GAS (Inch)	A- L.MAX (m)	B - H.MAX (m)	LENGTH OF PRECHARGE (m)	ADDITIONAL CHARGE (g/m)
12	1/4"-3/8"	20	10	5	15
18	1/4"-1/2"	30	20	5	15
24/30	3/8"-5/8"	50	25	5	30
36/48/60	3/8"-5/8"	65	25	5	30

## 7. INSTALLATION OF THE INDOOR UNIT

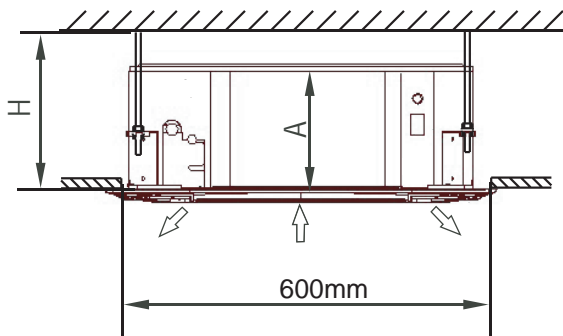
### Deciding ceiling opening size

#### 1. Gird ceiling installation situation (60x60 standard ceiling):

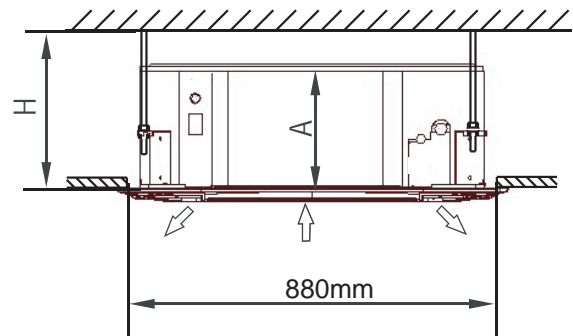
Because this unit is a mini-cassette, there is no need to make an opening cut on the ceiling, just remove one piece of ceiling panel.

#### 2. Hard ceiling installation situation:

Create the ceiling opening required for installation, below shows the relationship of the ceiling opening to unit and the panel (Fig 5)

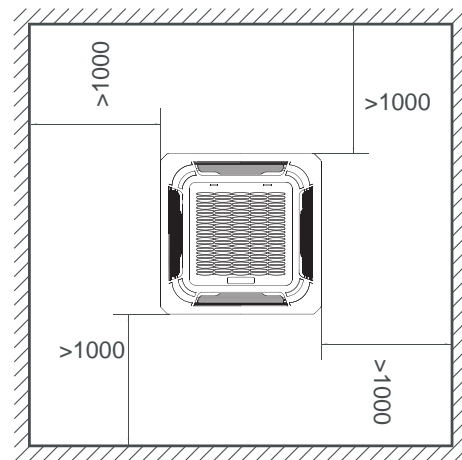
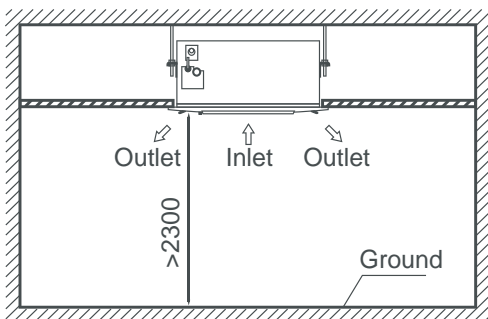


Model 12-18



Model 24-60

Fig.5



### ON-OFF

CAPACITY (KBtu/h)	A	H
12-18	270mm	>280mm
24	205mm	>235mm
30-48	245mm	>275mm
60	287mm	>317mm

### INVERTER

CAPACITY (KBtu/h)	A	H
12-18	270mm	>280mm
24-36	245mm	>275mm
48-60	287mm	>317mm

### Installing the indoor unit

1. Use installation template (supplied with the panel) when deciding the suspension bolt position. Fig.6 and Fig. 7 show the dimensions relationship.

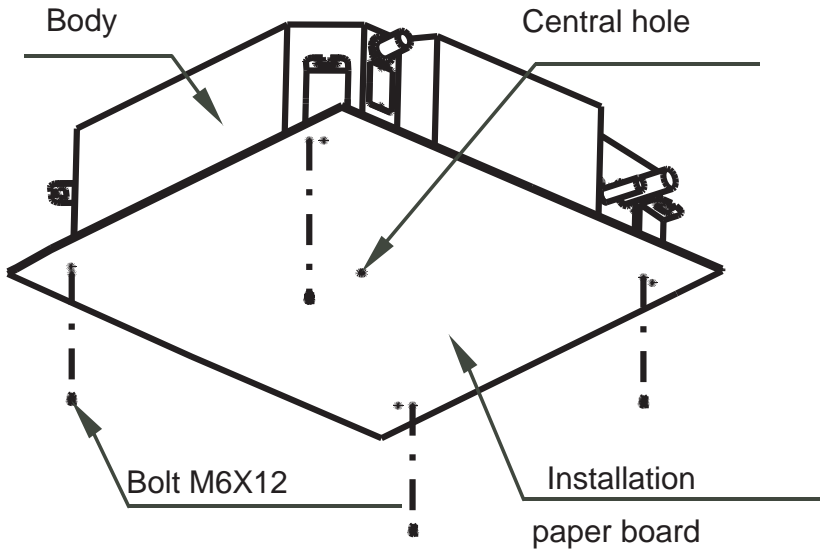


Fig.6

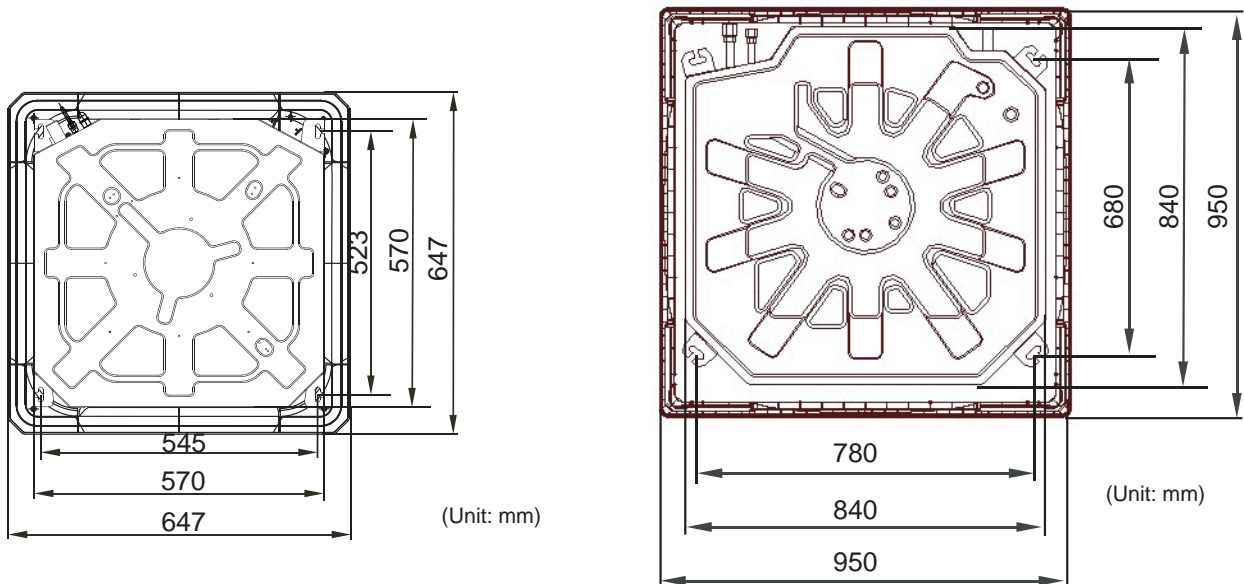
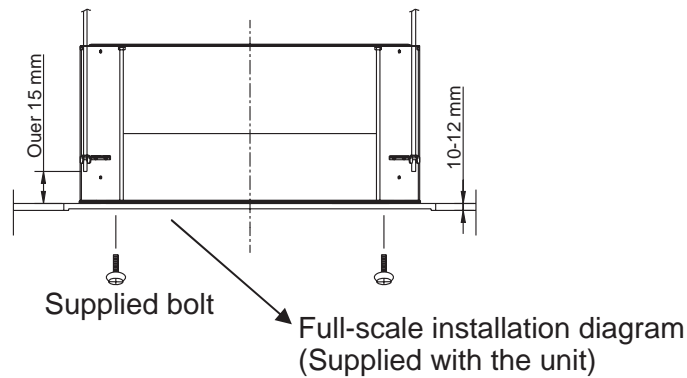


Fig.7

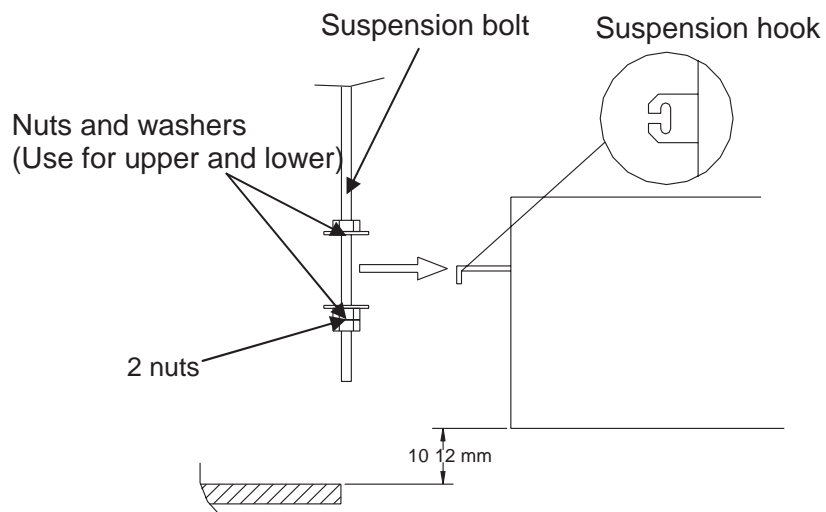
2. Tubing and wiring must be prepared beforehand inside the ceiling when suspending the unit.

3. The length of suspension bolts must be appropriate for a distance between the bottom of the bolt and the bottom of the unit of more than 15mm as shown in Fig.8



**Fig.8**

4. In order to prevent a possible looseness, it is recommended to use 3 hexagonal nuts (Prepared on site) and 2 washers (accessory) for each suspension bolt. Pay attention that 2 nuts will be used in the lower side.(Fig.9)
5. Adjust the distance between the unit and the ceiling bottom to 10~12mm. Tighten all the nuts on the suspending bolts.(Fig.9)



**Fig.9**



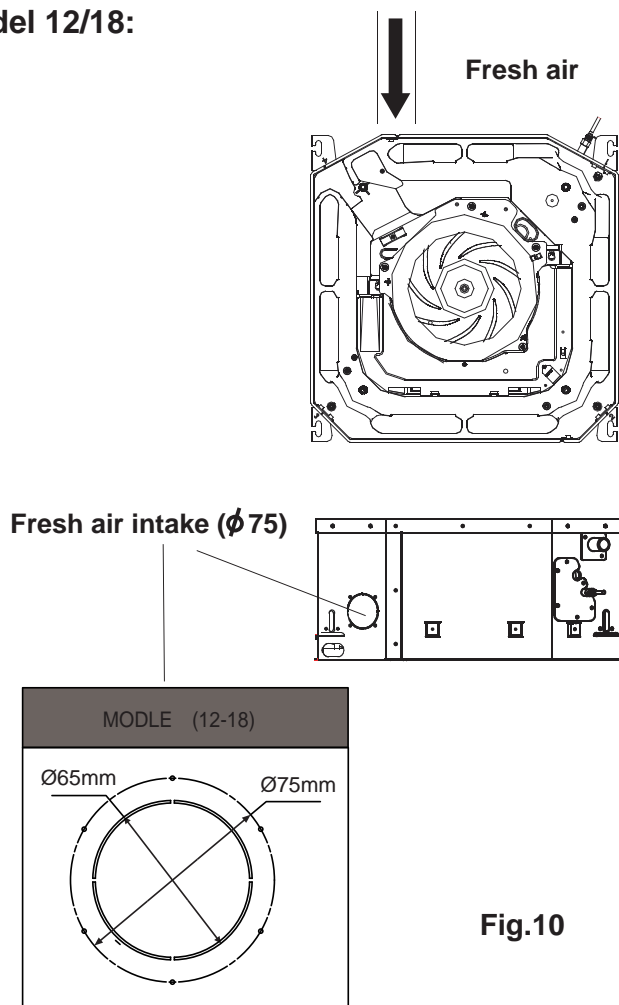
## Duct installation

1. Side openings are provided for installing separate ducts for outside air intake and treated air distribution to an adjacent room.
2. Use a punch to remove the knock-down openings on the casing. Use a knife to make the suitable opening on the polystyrene behind the casing.  
TAKE CARE not to damage the heat exchanger coil located behind the openings.
3. Plug the gaps between the ducts and the opening edge with anti-condensation insulation.
4. Use material which can withstand a continuous operating temperature of 60°C. The ducts can be of the flexible type with a spring core or of corrugated aluminum, covered inside with an insulating material (12 to 25 mm thick glass fiber).
5. When the installation is finished, all the surfaces of the non-insulated ducts must be covered with anti-condensation insulation material (6mm thick expanded polystyrene or expanded neoprene). Fireproofing classification: M1.

**IF THE ABOVE INSTRUCTIONS ARE NOT FOLLOWED, CONDENSATE FLOWS WILL BUILD UP.**

6. Distributing air to an adjacent room requires the corresponding panel air outlets to be sealed by using the sealing material.
7. A decoration grille must be fitted in the partition between the air conditioned room (where the cassette is installed) and the adjacent room.

### Model 12/18:



**Fig.10**

Model 24~60

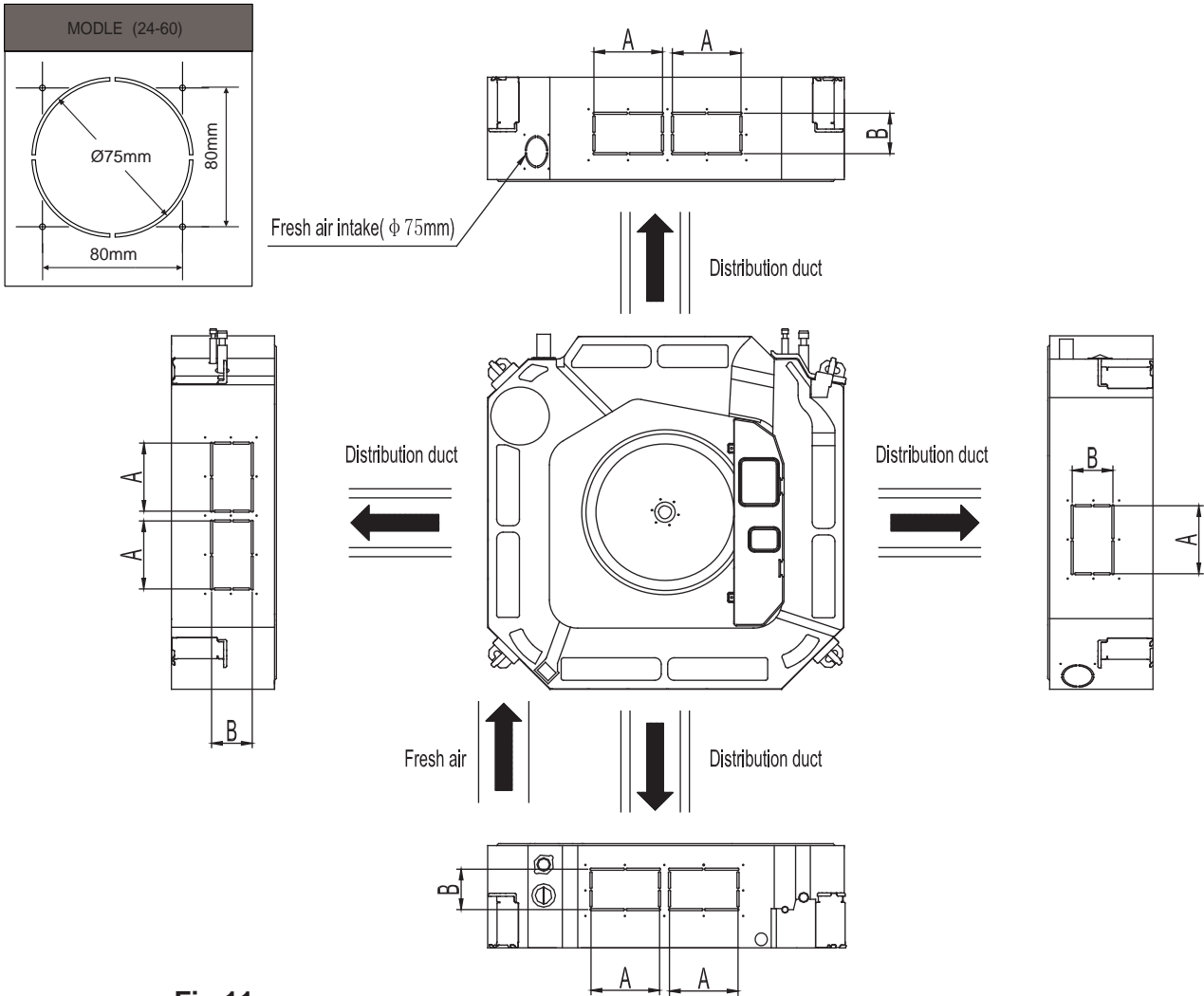


Fig.11



**NOTE**

ON-OFF : 24: A=160mm; B=75mm ; 30-60: A=160mm; B=95mm

INVERTER : 24-60: A=160mm; B=95mm

## 8. CONDENSATE HOSE CONNECTION

### Drain hose connection

1. Use standard hard PVC pipe for the drain pipe.
2. Use the drain hose (Prepared on site) to change the direction.
3. Insert the drain hose until it connects the drain port very well, and then secure it tightly with the hose clamp (Prepared on site) ( Fig.12)
4. After checking the drainage, wrap the drain hose with the insulation and clamp. (Prepared on site) ( Fig.12)

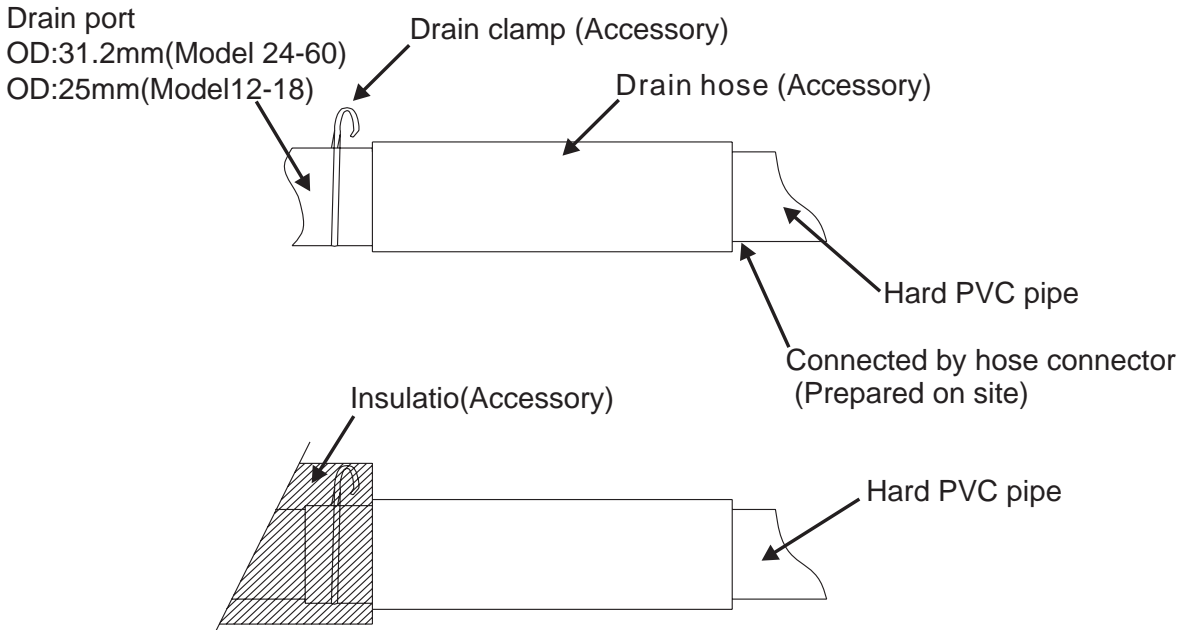


Fig.12

### Caution!

1. Do not raise the drain pipe higher than 0.75m , or else there will be water leak risk.
2. Make sure the drain pipe has a downward gradient (no less than 1/100) and there are no water traps (Fig.13).
3. To hold the drain pipe, space bracket every 1 to 1.5m.(Fig.13)

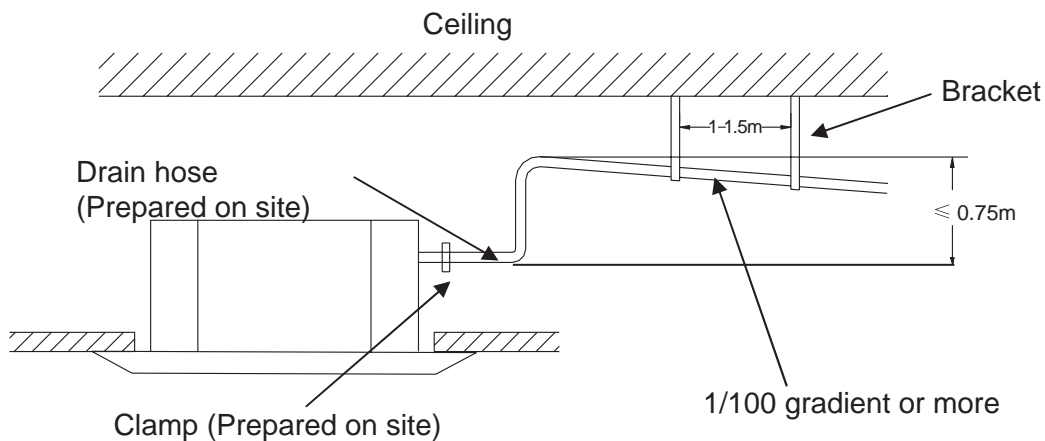
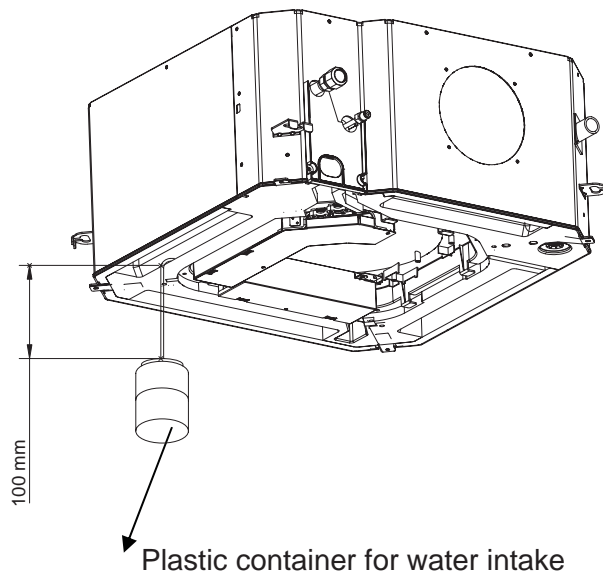


Fig.13

**Check the drainage**

1. After wiring and drain piping are completed, check the drainage according to the following procedure. If necessary, prepare a bucket and cloth to catch and wipe up the water spilled out.
2. Connect the AC 220V~240V power to the terminal blocks (L, N terminals) inside the electrical box.
3. Slowly inject about 1,000 cc of water into the drain pan.(Fig.14)
4. Operate the unit in cooling mode. Check the drainage through the transparent drain port to see if any drain leakage happens.
5. When the check is finished, do not forget to cut off the power input.



**Fig.14**

**Caution!**

During this operation, the fan will start working. So pay attention to the rotating fan.

**Finish the drainage work.**

After checking the drainage, make sure that heat insulation is wrapped around the indoor drain pipe to avoid any dew condensation. (The material should have M1 fireproofing classification)

## 9. ELECTRICAL CONNECTION BETWEEN INDOOR AND OUTDOOR UNIT

### Electrical requirements

Electrical wiring and connections should be made by qualified electricians and in accordance with local electrical codes and regulation. The air conditioner units must be grounded.

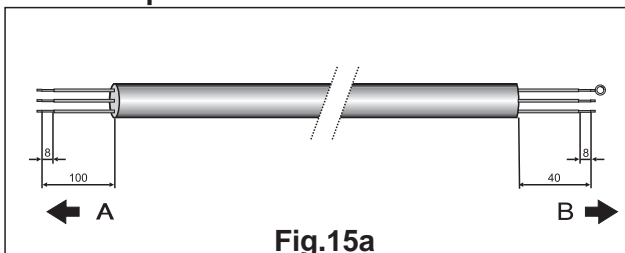
The air conditioner unit must be connected to an adequate power outlet from a separate branch circuit protected by a time delay circuit breaker, as specified on unit's nameplate.

Voltage should not vary beyond  $\pm 10\%$  of the rated voltage.

1. To connect the indoor unit to the outdoor unit uses the following electrical cables(page16).
2. Prepare the cable ends for the power input and for the cables between outdoor and indoor units as shown in figure 15a and 15b respectively.
3. Connect the cable ends to the terminals of the indoor and outdoor units, as shown in fig 16.
4. Secure the multiple wire power cable with the cable clamps.

Notes: The wire color code can be selected by the installer.

#### • Power input cable



#### • Cable between indoor and outdoor units

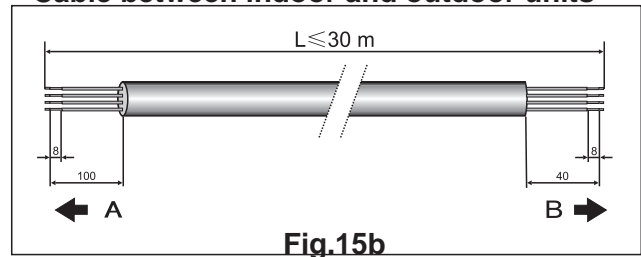
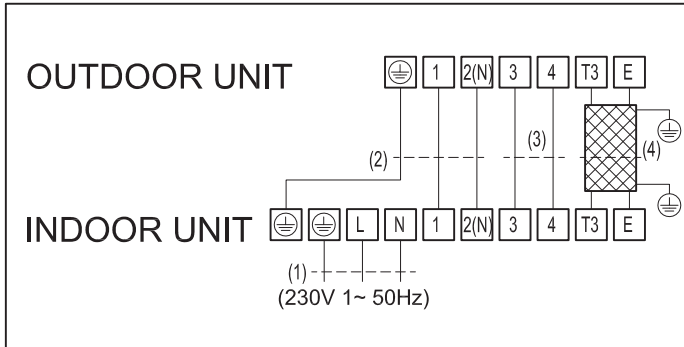


Fig.15 A. OUTDOOR B. INDOOR

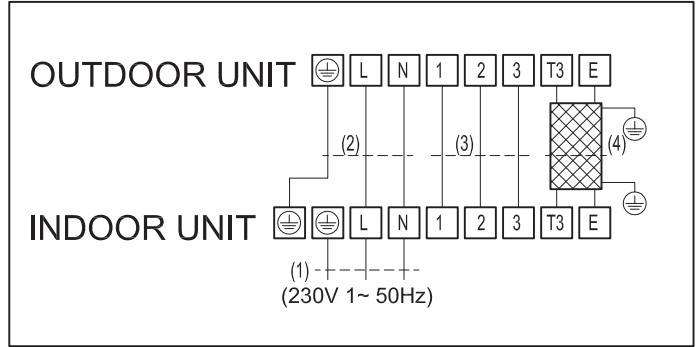
**Indoor unit cassette type**

**ON-OFF TYPE**

12/18 KBtu/h

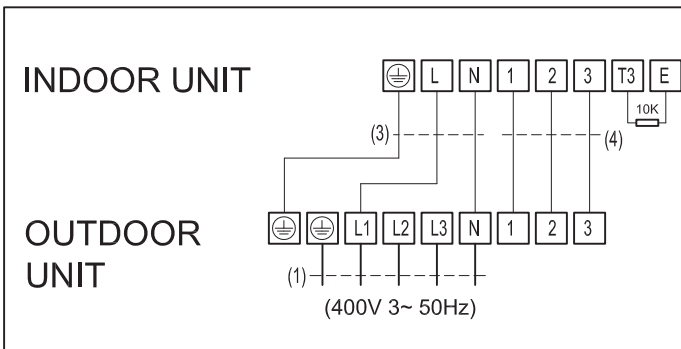


24/30/36 KBtu/h

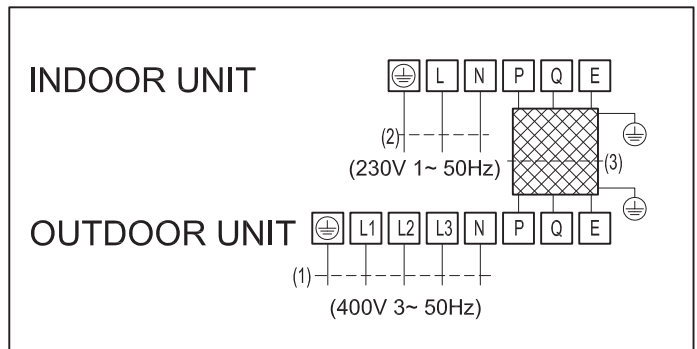


Capacity	12/18K	24K	30K/36K
Power supply	From Indoor		
Fuse Rating	16A	25A	30A
1- Power Cable (IDU)	3 x 1.5mm <sup>2</sup>	3 x 2.5mm <sup>2</sup>	3 x 4.0mm <sup>2</sup>
2- Interconnecting Cable	3 x 1.5mm <sup>2</sup>	3 x 2.5mm <sup>2</sup>	3 x 4.0mm <sup>2</sup>
3- Interconnecting Cable	2 x 1.0mm <sup>2</sup>	3 x 1.0mm <sup>2</sup>	3 x 1.0mm <sup>2</sup>
4- Interconnecting Cable	2 x 0.5mm <sup>2</sup>	2 x 0.5mm <sup>2</sup>	2 x 0.5mm <sup>2</sup>

36 KBtu/h (3Ph)



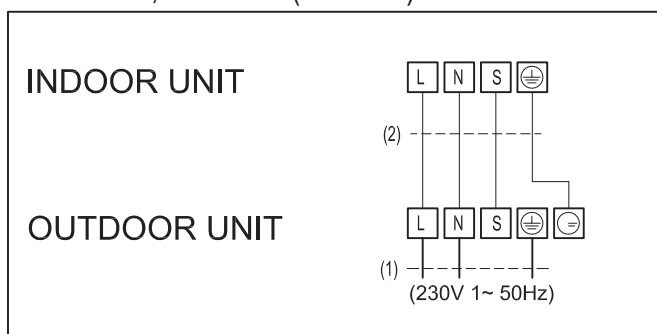
48/60 KBtu/h (3Ph)



Capacity	36K (3Ph)	48K	60K
Power supply	From Outdoor	Indoor & Outdoor	
Fuse Rating (ODU/IDU)	20A /-	25A / 16A	25A / 16A
1- Power Cable (ODU)	5 x 2.5mm <sup>2</sup>	5 x 2.5mm <sup>2</sup>	5 x 2.5mm <sup>2</sup>
2- Power Cable (IDU)	-	3 x 1.0mm <sup>2</sup>	3 x 1.0mm <sup>2</sup>
3- Interconnecting Cable	3 x 1.0mm <sup>2</sup>	3 x 0.5mm <sup>2</sup>	3 x 0.5mm <sup>2</sup>
4- Interconnecting Cable	3 x 1.0mm <sup>2</sup>	-	-

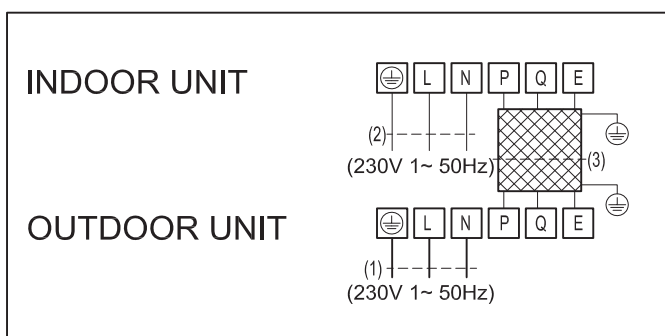
**INVERTER TYPE**

12KBtu/h, 18KBtu/h(for Multi)

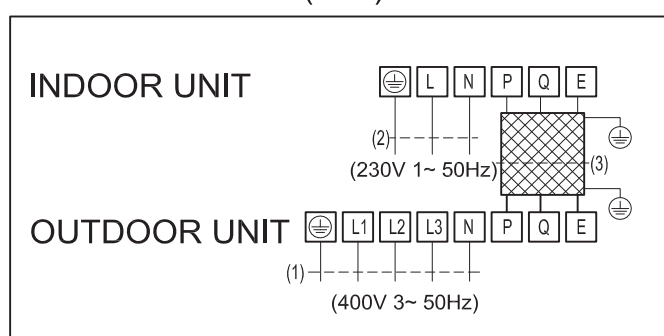


Capacity	12K	18K(for Multi)
Power supply	Outdoor	Outdoor
Fuse Rating	16A	Refer to Outdoor
1- Power Cable (ODU)	3 x 2.5mm <sup>2</sup>	Refer to Outdoor
2- Interconnecting Cable	4 x 1.0mm <sup>2</sup>	4 x 1.0mm <sup>2</sup>

18/24/30/36 KBtu/h



36/48/60 KBtu/h (3Ph)



Capacity	18k	24k	30k	36k
Power supply	Indoor & Outdoor			
Fuse Rating (ODU/IDU)	16A / 10A	20A / 10A	30A / 10A	30A / 10A
1- Power Cable (ODU)	3 x 2.5mm <sup>2</sup>	3 x 2.5mm <sup>2</sup>	5 x 2.5mm <sup>2</sup>	5 x 4.0mm <sup>2</sup>
2- Power Cable (IDU)	3 x 1.0mm <sup>2</sup>	3 x 1.0mm <sup>2</sup>	3 x 1.0mm <sup>2</sup>	3 x 1.0mm <sup>2</sup>
3- Interconnecting Cable	3 x 0.5mm <sup>2</sup>	3 x 0.5mm <sup>2</sup>	3 x 0.5mm <sup>2</sup>	3 x 0.5mm <sup>2</sup>

Capacity	36k(3Ph)	48K	60K
Power supply	Indoor & Outdoor		
Fuse Rating (ODU/IDU)	20A / 10A	25A / 10A	25A / 10A
1- Power Cable (ODU)	5 x 2.5mm <sup>2</sup>	5 x 2.5mm <sup>2</sup>	5 x 2.5mm <sup>2</sup>
2- Power Cable (IDU)	3 x 1.0mm <sup>2</sup>	3 x 1.0mm <sup>2</sup>	3 x 1.0mm <sup>2</sup>
3- Interconnecting Cable	3 x 0.5mm <sup>2</sup>	2 x 0.5mm <sup>2</sup>	2 x 0.5mm <sup>2</sup>

## 10. REFRIGERANT TUBING

### Connect the indoor to the outdoor unit

The indoor unit contains a small quantity of nitrogen. Do not unscrew the nuts from the unit is supplied with sufficient refrigerant charge (R410A). Refer to outdoor unit nameplate.

To prevent crushing, bend tubes using a bending tool.

NOTE: Use R410A refrigerant type copper tubing only.

1. Open the valve cover.
2. Use tubing diameter that corresponds to the tubing diameter of the indoor and outdoor units. Note that the liquid and suction tubes have different diameters. (See tube size, torque tightening table.)
3. Place flare nuts on tube ends before preparing them with a flaring tool. Use the flare nuts that are mounted on the supplied outdoor and indoor units.
4. Connect the all ends of the tubing to the indoor and outdoor units. Notice the sign. All ends should correspond one by one.
5. Insulate each tube separately, and their unions, with at least 6 mm thick of insulation. Wrap the refrigerant tubing, drain hose and electric cables together with a vinyl tape (UV protected).

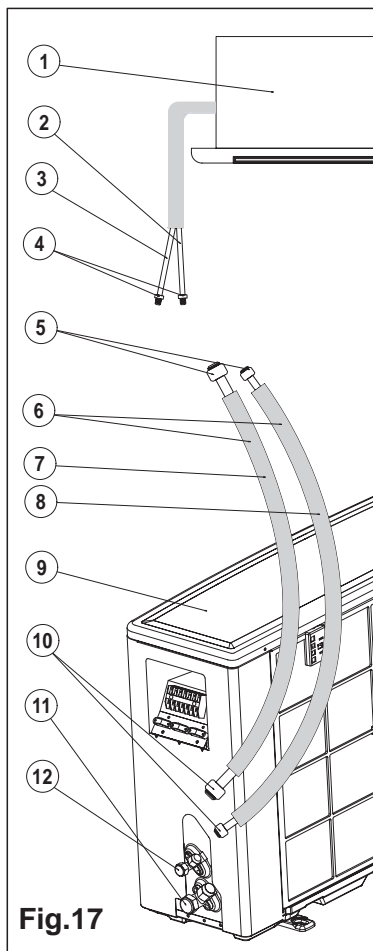


Fig.17

Tightening torques of unions and valve caps:

**Caution!**  
When unscrewing the valve caps, do not stand in front of them or the spindles at any time, as the system is under pressure.

**Fig.17**

1. Indoor unit
2. Liquid tube (small dia.)
3. Suction tube (large dia.)
4. Plugs
5. Flare nuts
6. Tubing between units
7. Suction tube
8. Liquid tube
9. Outdoor unit
10. Flare nuts
11. Suction valve (large)
12. Liquid valve (small)

TUBE SIZE	TORQUE
Liquid line 1/4"	15-20 N.M.
Suction line 3/8"	30-35 N.M
Suction line 1/2"	50-54N.M.
Suction line 5/8"	75-78N.M.

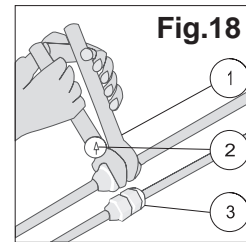


Fig.18

Fig.18  
1.Wrench  
2.Torque wrench  
3.Union

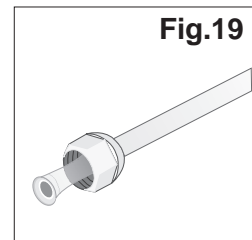


Fig.19

Fig.19  
To prevent refrigerant leakage, coat the flared surface with refrigeration oil

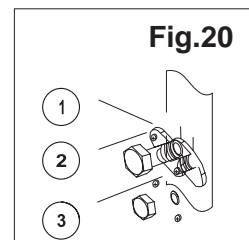


Fig.20

Fig.20  
1.Suction valve  
2.Service port  
3.Liquid valve  
4.Union

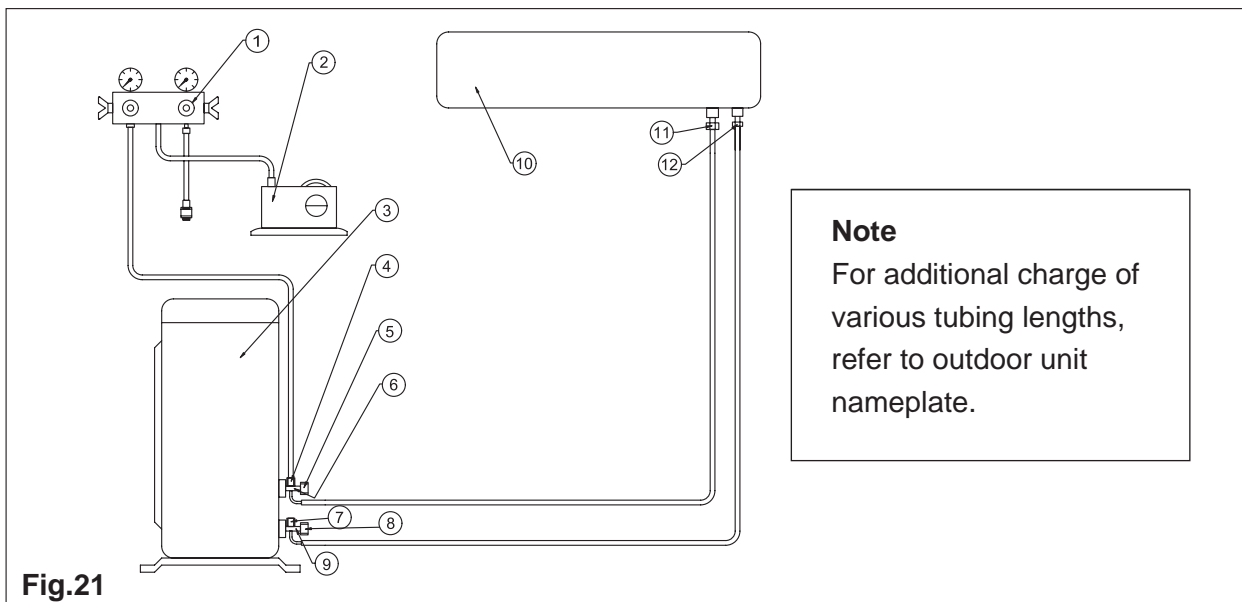


### Do the vacuum of the refrigeration tubes and the indoor unit

After connecting the unions of the indoor and outdoor units, purge the air from the tubes and indoor unit as follows:

1. Connect the charging hoses with a push pin to the low side of the charging set and the service port of the suction valve. Be sure to connect the end of the charging hose with the push pin to the service port.
2. Connect the center hose of the charging set to a vacuum pump.
3. Turn on the power switch of the vacuum pump, turn off the high side switch and make sure that the needle in the gauge moves from 0 MPa (0cm Hg) to -0.1MPa (-76cm Hg). Let the pump run for fifteen minutes.
4. Close the valve of the low side of the charging set and turn off the vacuum pump. Note that the needle in the gauge should not move after approximately five minutes.
5. Not any problem for five minutes, turn on the power switch of the vacuum pump and open the valve of the low side of the charging set.
6. Disconnect the charging hose from the vacuum pump and from the service ports of the suction valve.
7. Tighten the service port caps of suction valve.
8. Redo 1 to 7 for other indoor units.
9. Remove the valve caps from all valves, and open them using a hexagonal Allen wrench.
10. Remount valve caps from all of the valves.
11. Check for gas leaks from all the connecting position.

Test with electronic leak detector or with a sponge immersed with soapy water for bubbles.



#### Note

For additional charge of various tubing lengths, refer to outdoor unit nameplate.

- |                 |                   |                              |
|-----------------|-------------------|------------------------------|
| 1. Charging set | 5. Cap            | 9. Liquid valve              |
| 2. Vacuum pump  | 6. Suction valve  | 10. Indoor unit              |
| 3. Outdoor unit | 7. Service port * | 11. Suction flare connection |
| 4. Service port | 8. Cap            | 12. Liquid flare connection  |

\* In some models only

## 11. PANEL INSTALLING

### Removing the grille:

1. Push two grill switches to the direction at the same time, and then pull them up. (Fig.22)
2. Draw the grill up to an angle of about 45, and remove it.(Fig.23)

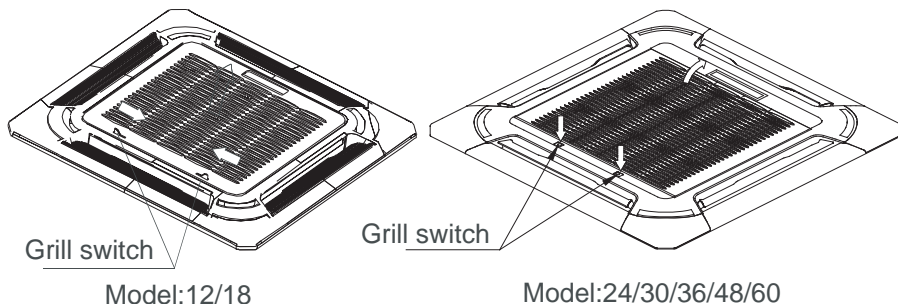


Fig.22

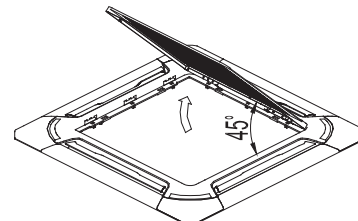


Fig.23

### Remove the corner covers(For model 24-60)

Wrench off the bolts, loose the rope of the installation covers, and remove them. (Fig.24)

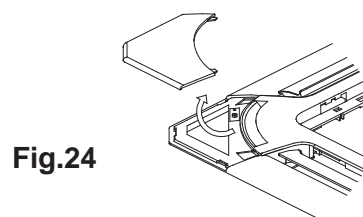


Fig.24

### Install the panel

#### For Model 12-18:

1. Align the swing motor on the panel to the tubing joints of the body properly.(Fig.25)
2. Hang the four fixed rope of the main body to the installation cover and the other three covers of the swing motor.(Fig.25)
3. Install the panel on the main body with bolt (M5×16) and washer.
4. Adjust the 4 bolts to keep the panel horizontal, Close the bolts until thickness of the sponge between the body and the panel has been reduced to about 4~6mm. (Fig.27)

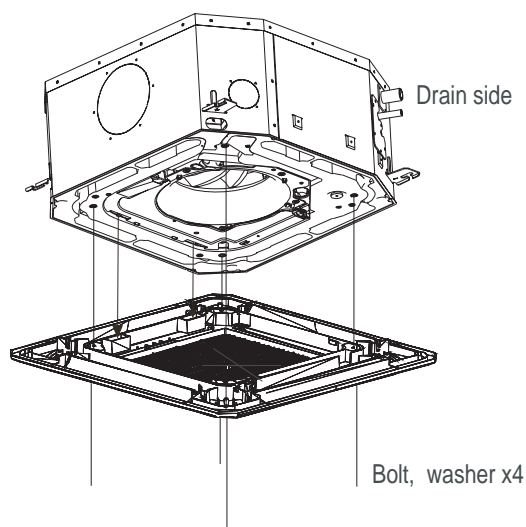


Fig.25

#### For Model 24-60:

1. Align the swing motor on the panel to the tubing joints of the body properly.(Fig.26)
  2. Fix hooks of the panel at swing motor and its opposite sides to the hooks of corresponding water receiver. (Fig.26-1)
  3. Hang the other two panel hooks onto corresponding hangers of the body. (Fig.26-2)
  4. Adjust the four panel hook screws to keep the panel horizontal, and screw them up to the ceiling evenly.(Fig.26-3)
  5. Regulate the panel in the direction of the arrow in Fig.26-4 slightly to fit the panel's center to the center of the ceiling's opening.
- Guarantee that hooks of four corners are fixed well.
6. Close the bolts under the panel hooks, until the thickness of the sponge between the body and the panel has been reduced to about 4~6mm. (Fig.27)

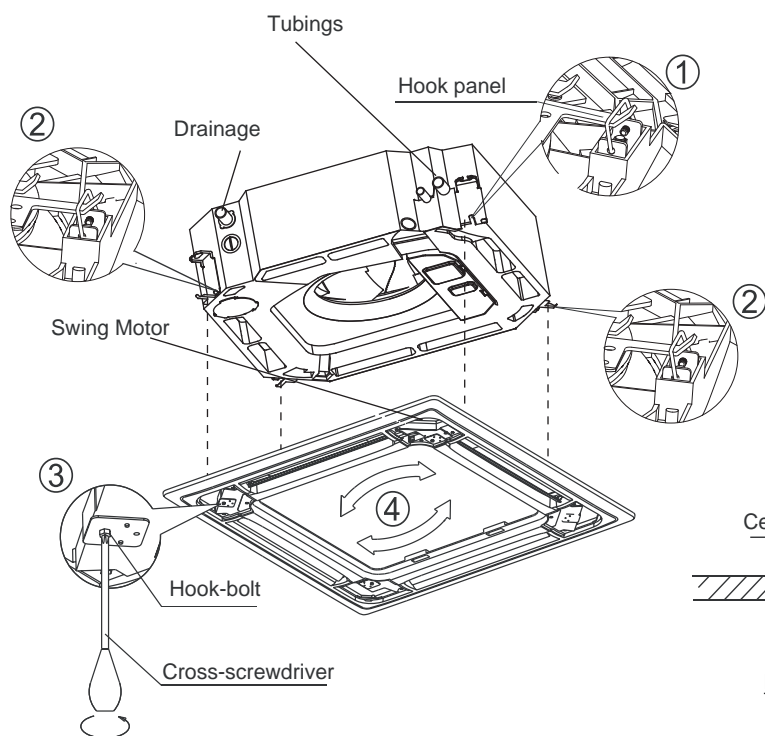


Fig.26

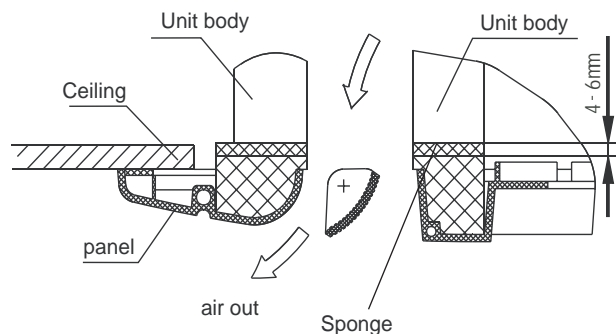


Fig.27

**Relocate the Grill**

1. Hang the grill to the panel, then connect cable swing motor and display to the corresponding connectors from unit body.
2. Relocate the air-in grill in the procedure of reversed order.

**Relocate the corner cover.**

1. Fasten the rope of corner cover onto the screw of the corner cover. (Fig.28)
2. Press the cover into the panel slightly. (Fig.28)

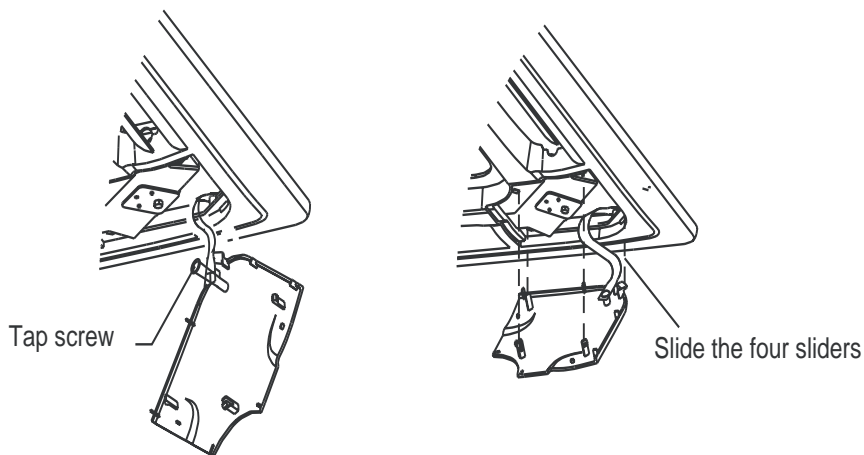


Fig.28

## 12. FINAL TASKS

1. Check all valve caps and ensure that they had been tightened properly. Close the valve cover.
2. Fill gaps on the wall between hole sides and tubing with sealer.
3. Attach wiring and tubing to the wall with clamps where necessary.
4. Operate the unit for no less than 5 minutes at heating or cooling mode.
5. Explain filter removal, cleaning and installation.
6. Operate the air conditioner together with the customer and explain all functions.
7. Give the operating and installation manuals to the customer.

# KLIMAGERÄT KASSETTE

**R410A**



**Deutsch**

Innengerät - Kassettentyp

## INHALT

1. <i>ERFORDERLICHE WERKZEUGE ZUR MONTAGE</i> .....	2
2. <i>SICHERHEITSVORKEHRUNGEN</i> .....	2
3. <i>MONTAGE/SERVICE-WERKZEUGE (nur für R410a produkt)</i> .....	4
4. <i>ZUBEHÖR</i> .....	5
5. <i>OPTIONALES ZUBEHÖR</i> .....	6
6. <i>LAGE DER INNEN- UND AUSSENGERÄTE</i> .....	6
7. <i>MONTAGE DES INNENGERÄTS</i> .....	9
8. <i>ANSCHLUSS DES KONDENSATSCHLAUCHS</i> .....	14
9. <i>ELEKTRISCHE VERBINDUNG ZWISCHEN DEM INNEN UND AUSSENGERÄT</i> .....	16
10. <i>KÄLTEMITTELLEITUNG</i> .....	19
11. <i>MONTAGE DER PANEEL</i> .....	21
12. <i>LETZTE VORKEHRUNGEN</i> .....	23

**Montieren Sie das Gerät nicht im Wäscheraum**

**Bemerkung:**

Dieses Handbuch ist für Single-Split-Anwendungen bestimmt.

Für Multi-Split-Anwendungen benutzen Sie bitte die Montageanleitung, die in der Außengeräte-Packung geliefert wird.

**Dieses Handbuch kann jederzeit abgeändert werden**

## 1. ERFORDERLICHE WERKZEUGE ZUR MONTAGE

- |  |                      |   |
|--|----------------------|---|
| 1. Schraubendreher                             | 7. Messer            | 13. Drehmomentschlüssel                 |
| 2. Elektrischer Bohrer,<br>Kernbohrer (ø60 mm) | 8. Gasdetektor       | 18 N • m (1.8 kgf.m)                    |
| 3. Sechskantschlüssel                          | 9. Messband          | 35 N • m (3,5 kgf.m)                    |
| 4. Schraubenschlüssel                          | 10. Thermometer      | 55 N • m (5,5 kgf.m)                    |
| 5. Rohrschneider                               | 11. Megameter        | 14. Vakuumpumpe                         |
| 6. Reibahle                                    | 12. Vielfachmeßgerät | 15. Messgerät-Verteiler<br>(für R-410A) |

## 2. SICHERHEITSVORKEHRUNGEN

- Bitte achten Sie darauf die Installation nach den national geltenden Elektro- und Brandschutzbestimmungen durchzuführen.
- Lesen Sie bitte vor der Montage die folgenden "SICHERHEITSVORKEHRUNGEN" sorgfältig durch.
- Elektrische Installationen müssen von einem lizenzierten Elektriker durchgeführt werden. Prüfen Sie, ob Sie für das, zu montierende
- Modell die richtigen elektrischen Netzstecker und Netzleistung benutzen. Die hier dargelegten Vorsichtshinweise müssen beachtet werden, da deren Wichtigkeit sicherheitsbezogen ist. Die Zeichenbedeutung ist unten angegeben. Unkorrekte Montage auf Grund Missachtung der Anleitungen kann Verletzung oder Schaden zur Folge haben. Die Wichtigkeit der Anleitung wird in den folgenden Hinweisen verdeutlicht.
- Führen Sie einen Probelauf durch, um zu versichern, dass nach der Montage keine ungewöhnliche Störung auftritt. Erklären Sie dann dem Benutzer gemäß den Anleitungen die Bedienung, Pflege und Wartung. Bitte weisen Sie den Kunden darauf hin, die Bedienungsanleitung zu späterer Bezugnahme aufzubewahren.

## WARNUNG

- 1) Konsultieren Sie einen qualifizierten Techniker und befolgen Sie diese Anweisungen sorgfältig, andernfalls können elektrischer Schlag, Wasseraustritt oder ästhetische Probleme auftauchen.
- 2) Montieren Sie das Gerät an einer festen, stabilen, Stelle, die seinem Gewicht standhält. Bei ungenügender Stabilität oder falscher Montage kann die Anlage herunterfallen und zu Verletzungen führen.
- 3) Befolgen Sie bei elektrischen Arbeiten die örtlichen Verdrahtungsvorschriften und diese Montageanleitung. Es muss ein unabhängiger Stromkreis und eine einzige Steckdose benutzt werden. Falls die Netzleistung ungenügend ist oder die Installation mangelhaft ist, kann dies zu elektrischem Schlag oder Brand führen.
- 4) Benutzen Sie das dazu bestimmte Kabel und schließen Sie es fest am Innen- /Außenanschluss an. Schließen Sie das Kabel fest an und befestigen Sie es, so dass keine externe Krafteinwirkung auf den Anschluss ausgeübt wird. Falls der Anschluss oder die Befestigung mangelhaft sind, kann sich das Anschlussstück erwärmen oder ein Brand ausbrechen.
- 5) Die Kabelleitung muss richtig gelegt werden, so dass sich der Deckel der Bedienungstafel gut befestigen lässt. Falls der Deckel der Bedienungstafel nicht richtig befestigt wird, kann sich der Geräteanschlusspunkt erwärmen, ein Brand ausbrechen oder ein elektrischer Schlag verursacht werden.
- 6) Achten Sie darauf, dass beim Anschluss der Rohrleitung keine andere Luftsubstanz als das, dazu bestimmte Kältemittel in den Kältekreislauf eintritt. Andernfalls wird dies eine reduzierte Leistungsfähigkeit, unnatürlich hoher Druck im Kühlkreislauf, Explosionsgefahr und Verletzungen verursachen.
- 7) Benutzen Sie kein anderes Stromversorgungskabel als das, dazu bestimmte und beschädigen Sie es nicht, andernfalls können Brand oder elektrischer Schlag verursacht werden.
- 8) Ändern Sie weder die Länge des Stromversorgungskabels noch den Zweck des Verlängerungskabels und schließen Sie keine anderen elektrischen Geräte an die Einzelsteckdose an, andernfalls können Brand oder elektrischer Schlag verursacht werden.
- 9) Dieses Gerät muss geerdet werden. Unvollständige Erdung kann elektrischen Schlag zur Folge haben.

## Innengerät - Kassettentyp

---

- 10) Montieren Sie das Gerät nicht an einem Ort, wo entzündbares Gas austreten kann. Falls Gas austritt und sich um das Gerät herum ansammelt, besteht Brandgefahr.
- 11) Legen Sie die Abflussleitung, wie es in der Montageanleitung beschrieben wird. Falls die Abflussleitung nicht richtig installiert ist, kann Wasser in den Raum eintreten und die Möbel beschädigen.
- 12) für Geräte mit zusätzlichen Heizkörpern ist ein minimaler Abstand von 50cm zwischen dem Gerät und dem Brennstoff erforderlich, andererseits besteht Brandgefahr.

### **ACHTUNG**

- 1) Wahl des Montageorts.  
Wählen Sie einen genügend festen und stabilen Standort, der das Gerät trägt oder hält und zur Wartung leicht zugänglich ist.
- 2) Netzanschluss des Raum-Klimageräts.  
Schliessen Sie das Stromversorgungskabel des Raum-Klimageräts ans Hauptversorgungsnetz an, indem Sie eine der folgenden Methoden anwenden.  
Die elektrische Steckdose sollte an einem Ort sein, der im Notfall zu einer Netztrennung leicht zugänglich ist. In manchen Ländern ist ein Daueranschluss dieses Raum-Klimageräts an die Stromversorgung untersagt.
- 3) Lassen Sie das Kältemittel nicht austreten.  
Lassen Sie das Kältemittel während der Installation der Rohrleitung zur Montage, Neu-Installation und zu Reparaturen der Kühlteile nicht austreten. Seien Sie sich mit dem flüssigen Kältemittel vorsichtig. Es kann Frostbeulen verursachen.
- 4) Montagearbeit. Es benötigt zwei Arbeiter, um die Montagearbeiten auszuführen.
- 5) Montieren Sie dieses Gerät nicht in einem Wäscher Raum oder einem anderen Raum wo Wasser von der Decke tropfen kann u.s.w.
- 6) Die Temperatur des Kühlmittelkreislaufs ist hoch. Halten Sie deshalb das Verbindungskabel vom Kupferrohr fern.



### 3. MONTAGE/SERVICE-WERKZEUGE (nur für R410a produkt)

**VORSICHT**

**Montage mit neuem Raumklimaagerät-Kältemittel.**






**DIESES KLIMAGERÄT BENUTZT DAS NEUE KÄLTEMITTEL (R410A) WELCHES DIE OZONSCHICHT NICHT SCHÄDIGT.** Das R410A-Kältemittel eignet sich zur Einwirkung auf Unreinheiten wie z.B. Wasser, oxidierende Membrane und Öle, da der Betriebsdruck des R410A-Kältemittels etwa 1.6 mal höher als beim R22-Kältemittel ist. Zusammen mit der Einführung des neuen Kältemittels wurde auch das Öl der Kältemaschine gewechselt. Achten Sie deshalb während der Montage darauf, dass kein Wasser, Staub, herkömmliches Kältemittel oder Kältemaschinenöl in den Kreislauf des Klimageräts mit dem neuartigen Kältemittel R410A eintreten. Um das Vermischen von Kältemittel und Kältemaschinen-Öl zu vermeiden, sind die Verbindungsstücke des Füllanschlusses der Haupteinheit und die Montagewerkzeuge in einer anderen Größe als die der herkömmlichen Kältemaschinen. Entsprechend werden Spezialwerkzeuge für die neuen (R410A) Kältemaschinen benötigt. Benutzen Sie zum Anschluss der Leitungen neues und sauberes Rohrmaterial mit Hochdruckverschlüssen, die nur für R410A bestimmt sind, so dass kein Wasser und/oder Staub eintreten können. Darüber hinaus benutzen Sie die vorhandenen Rohrleitungen nicht, da Druckprobleme und mögliche Unreinheiten in den vorhandenen Röhren auftreten können.

**Änderungen am Produkt und den Bauteilen**



In Klimageräten, die R410A benutzen, wurde der Durchmesser des Serviceanschlusses des Kontrollventils des Außengeräts (3-Weg-Ventil) geändert, um zu verhindern, dass versehentlich ein anderes Kältemittel eingefüllt wird. (1/2 UNF 20 Gewinde per Inch)

- Um die Druckfestigkeit der Kältemittelrohre zu erhöhen, wurde der Durchmesser der Bördel und die Größen der entgegengesetzten Stutzen geändert. (für Kupferrohre der Nominalgrößen von 1/2 und 5/8)

**Neue Werkzeuge für R410A**



Neue Werkzeuge für R410A	Passt zum R22 Modell	Änderungen
Messgerät-Verteiler	✗ 	Da der geleistete Druck hoch ist, ist es nicht möglich, Hochdruck mit herkömmlichen Messgeräten zu messen. Die Durchmesser der Anschlüsse wurden geändert, um zu vermeiden, dass andere Kältemittel eingefüllt werden.
Füllschlauch	✗ 	Zur Erhöhung der Schlauch-Druckfestigkeit wurde das Schlauchmaterial und die Breite der Anschlüsse geändert (zu 1/2 UNF 20 Gewinde per Inch). Prüfen Sie beim Kauf einer Füllhose die Anschlussbreite.
Elektronische Regulierung der Kältemittel-Füllung	○ 	Auf Grund des hohen Betriebsdrucks und der schnellen Vergasung ist es schwierig, die angezeigten Messwerte mit Hilfe des Füllzylinders abzulesen, da Luftblasen auftauchen.
Drehmomentschlüssel (Nominaldurchmesser) 1/2, 5/8	✗ 	Die entgegengesetzten Ringschlüssel sind größer als die bisherigen. Gelegentlich wird ein gewöhnlicher Schraubenschlüssel mit einem Nominaldurchmesser von 1/4 und 3/8 benutzt.
Bördelgerät (klammerartig)	○ 	Durch die Vergrößerung der Lochgrößen der Klemmböden wurde die Federspannkraft des Werkzeugs erhöht.
Messgerät zum Ausgleich von Buckelungen	–	Wird zur Bördelung benutzt, indem ein herkömmliches Bördelgerät benutzt wird.

## Innengerät - Kassettentyp

Verbindungsteil der Vakuumpumpe	○		Wird an eine herkömmliche Vakuumpumpe angeschlossen. Es ist notwendig, einen Adapter zu benutzen, um zu verhindern, dass das Öl der Vakuumpumpe in den Füllschlauch zurückfließt. Die Anschlusssteile des Füllschlauchs haben zwei Anschlüsse - einen für herkömmliche Kältemittel (7/16), (UNF 20 Gewinde per Inch) und einen für R410A. Falls das Öl der Vakuumpumpe (mineralisch) sich mit R410A vermischt, kann ein Schlamm entstehen und dem Gerät Schaden zufügen.
Gasdetektor	✗		Exklusiv für HFC-Kältemittel.

- Gelegentlich wird der "Kältemittel-Zylinder" mit der Kältemittel-Bezeichnung (R410A) und dem, in den US-ARI festgelegten ARI-Farbkode der rosafarbenen Schutzschicht: PMS 507) aufgeführt.
- Die Füllverschlüsse und Abdichtungen des Kältemittel-Zylinders benötigen ebenfalls 1/2 UNF 20 Gewinde per Inch, entsprechend der Größe des Füllschlauch-Anschlusses.

## 4. ZUBEHÖR

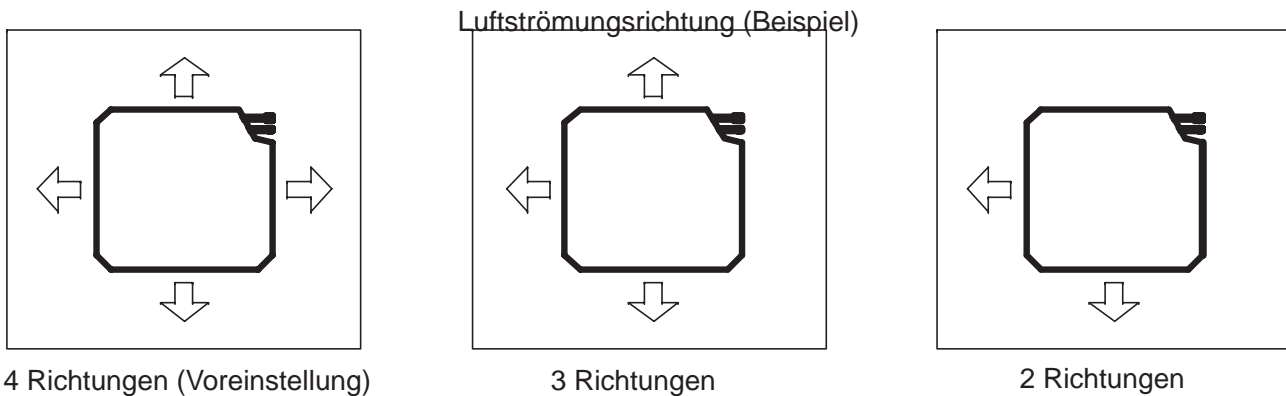
Nr.	Zubehörteil	Anzahl	Nr.	Zubehörteil	Anzahl
1	Montageanleitung 	1	6	Stromversorgungskabel (optional) 	1
2	Fernbedienung mit Batterien 	1	7	Montagekarton (optional) 	1
3	Fernbedienungshalter 	1	8	Geräteständer (optional) 	2
4	Dichtungsdübel 	60r 4	9	Zwillingskabel 	1
5	Abflussanschluss des Außengeräts 	1	10		

## 5. OPTIONALES ZUBEHÖR

Paneel

## 6. LAGE DER INNEN- UND AUSSENGERÄTE

Dieses Klimagerät verfügt, je nach der Montagesituation, über eine optionale 2-Weg- / 3-Weg-Entlüftung. Benutzen Sie das Dichtungsmaterial aus dem Zubehörsatz, um die betreffenden Abluftöffnungen abzudichten.



### Innengerät

1. Montieren Sie die Kassette nicht in einem Raum wo Gase, Säuren oder entflammbar Objekte gelagert werden, um eine Beschädigung des Aluminium- und Kupferverdampfers und der inwendigen Kunststoffelemente zu vermeiden.
2. Installieren Sie die Kassette nicht in einer Werkstatt oder in einer Küche. Öldampf, der durch den aufbereiteten Luftzug angezogen wird, könnte Ablagerungen an den Verdampfern der Kassette bilden und deren Leistung beeinträchtigen oder die inwendigen Kunststoffelemente der Kassette beschädigen.
3. Installieren Sie die Kassette nicht in einer Waschküche oder einem Raum wo Dampf produziert wird.
4. Diese Anlage muss so angebracht werden, dass der Stecker zugänglich ist.
5. Um die Kassettenmontage zu erleichtern, kann ein Gabelstapler benutzt werden. Benutzen Sie die Verpackungsunterlage, um Sie zwischen die Kassette und die Hubgabeln zu legen.
6. Es empfiehlt sich, die Kassette, wenn möglich, in der Mitte des Raumes zu montieren, um eine optimale Belüftung zu gewährleisten.
7. Prüfen Sie beim Wählen der Lage, ob die Ventilationsgitter abgelöst werden können und ob genügend Platz für Wartungs- und Reparaturarbeiten freigelassen wurde.

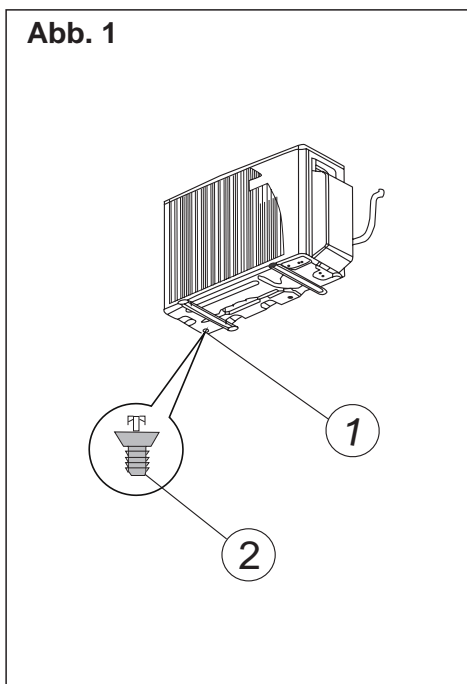
### Außengerät

1. Die Lage muss für die Wartung leicht zugänglich sein und eine gute Luftzirkulation gewährleisten. Siehe Abb. 4.
2. Das Gerät kann an einem Halter an der Wand aufgehängt werden (optional) oder in frei stehender Position auf dem Fußboden aufgestellt werden (am besten leicht erhöht).
3. Falls das Gerät aufgehängt wird, prüfen Sie, ob der Halter gut befestigt wurde und die Wand genug stabil ist, um Vibrationen standzuhalten.
4. Die Lage des Geräts sollte die Nachbarn nicht mit Lärm oder der Abluftventilation belästigen.
5. Legen Sie die Befestigungsunterlagen unter die Gerätefüße.
6. Sehen Sie in Abbildung 4. nach, welche Installationsabstände zulässig sind.

Falls das Gerät an der Wand montiert wird, installieren Sie den Abflussschlauch und den Abflussanschluss wie in Abb. 1 und 2 gezeigt wird.

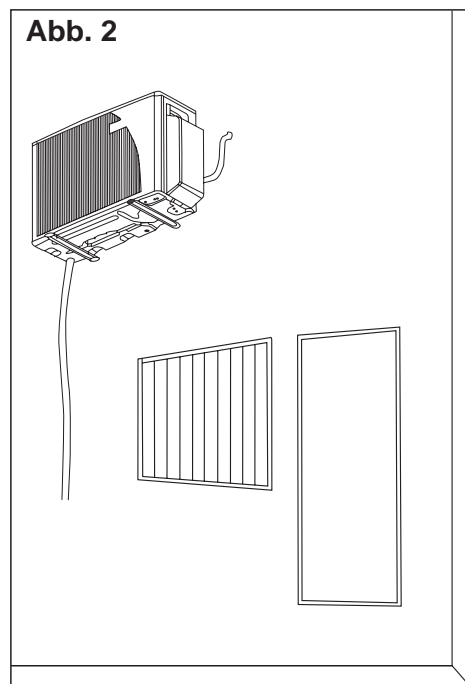
#### Abb. 1

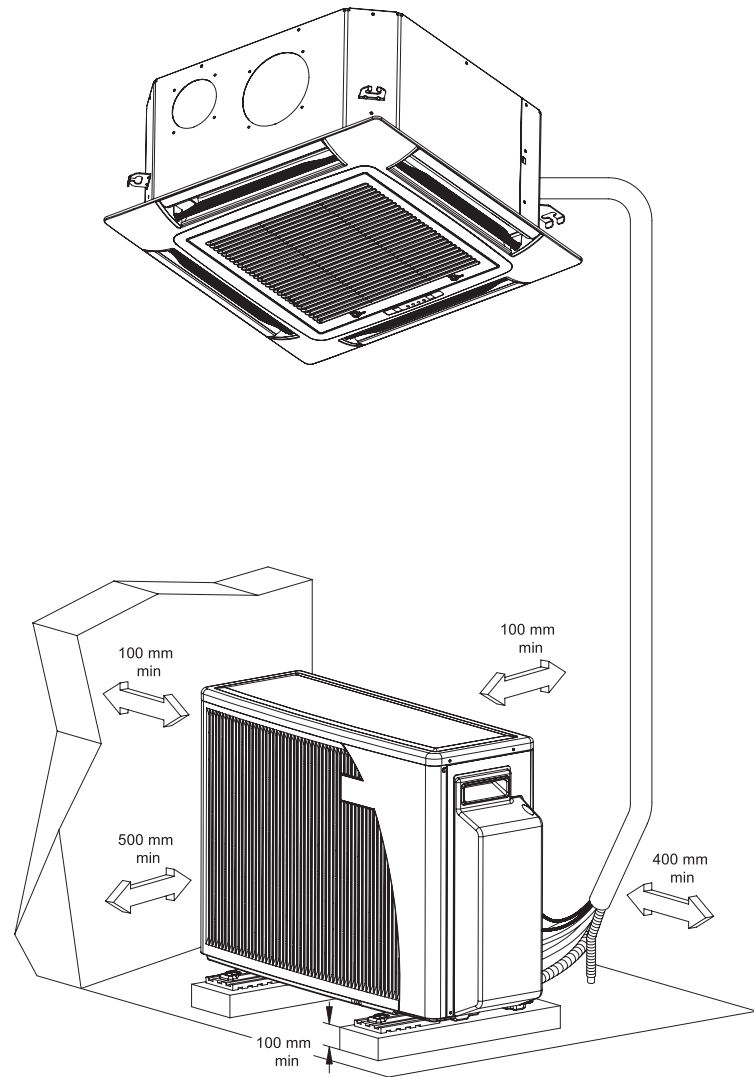
1. Boden des Außengeräts
2. Abflussanschluss



#### Abb. 2

- Abflussinstallation
- Beispiel





**Abb. 4**

Maximale Rohrlänge und Höhe (TYP ON-OFF)

KAPAZITÄT (KBtu/h)	FLÜSSIGKEITSLEITUNG -GASLEITUNG (Inch)	A- L.MAX (m)	B - H.MAX (m)	LÄNGE DER PRECHARGE (m)	ZUSÄTZLICH (g/m)
12	1/4"-1/2"	20	10	5	15
18	1/4"-1/2"	25	15	5	15
24	3/8"-5/8"	25	15	5	30
30	3/8"-3/4"	25	15	5	30
36	3/8"-3/4"	30	20	5	30
48/60	3/8"-3/4"	50	25	5	30

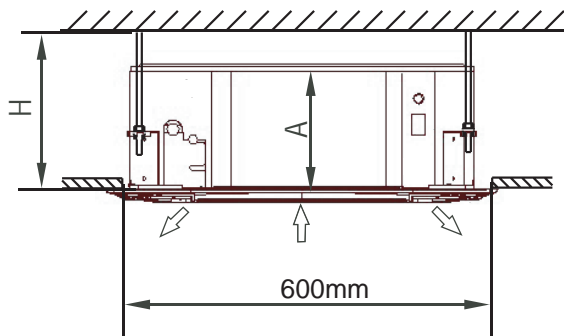
Maximale Rohrlänge und Höhe (TYP INVERTER)

KAPAZITÄT (KBtu/h)	FLÜSSIGKEITSLEITUNG -GASLEITUNG (Inch)	A- L.MAX (m)	B - H.MAX (m)	LÄNGE DER PRECHARGE (m)	ZUSÄTZLICH (g/m)
12	1/4"-3/8"	20	10	5	15
18	1/4"-1/2"	30	20	5	15
24/30	3/8"-5/8"	50	25	5	30
36/48	3/8"-5/8"	65	25	5	30

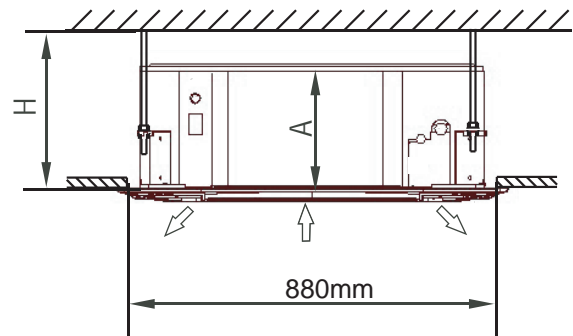
## 7. MONTAGE DES INNENGERÄTS

### Bestimmung der Größe der Deckenöffnung

- Bei einer Montage der Deckeneinfassung (60x60 Standarddecke):  
Da es sich bei diesem Gerät um eine Minikassette handelt, ist es nicht nötig, an der Decke eine Öffnung einzuschneiden, sondern entfernen Sie einfach ein Stück des Deckenpanels.
- Bei einer Hartdeckenmontage:  
Machen Sie zur Montage eine Deckenöffnung. Unten werden die Verhältnisse der Deckenöffnung zum Gerät und dem Panel gezeigt (Abb. 5).

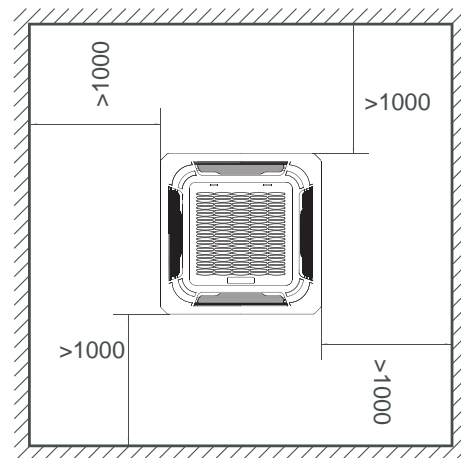
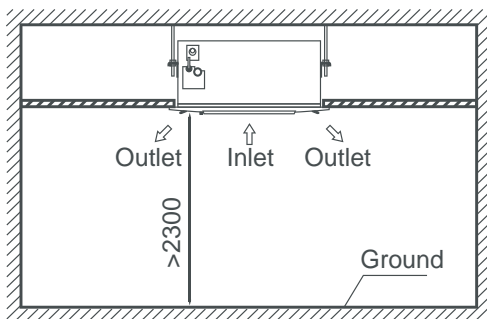


Modellen 12-18



Modellen 24-60

Abb.5



### ON-OFF

KAPAZITÄT (KBtu/h)	A	H
12-18	270mm	>280mm
24	205mm	>235mm
30-48	245mm	>275mm
60	287mm	>317mm

### INVERTER

KAPAZITÄT (KBtu/h)	A	H
12-18	270mm	>280mm
24-36	245mm	>275mm
48	287mm	>317mm

### Montage des Innengeräts

1. Benutzen Sie die Montagevorlage (mit dem Paneel geliefert) wenn Sie die Stelle des Aufhängebolzens bestimmen. In Abb. 6 und Abb.7 sehen Sie die Größenverhältnisse.

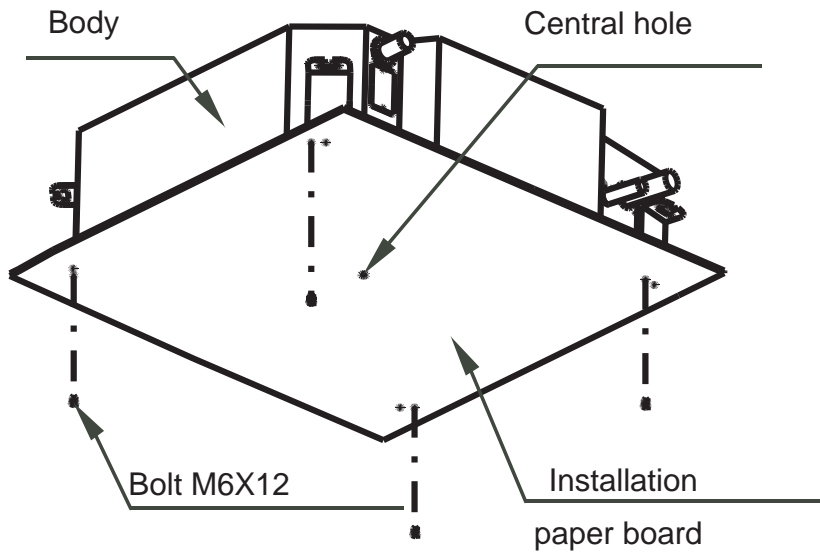


Abb.6

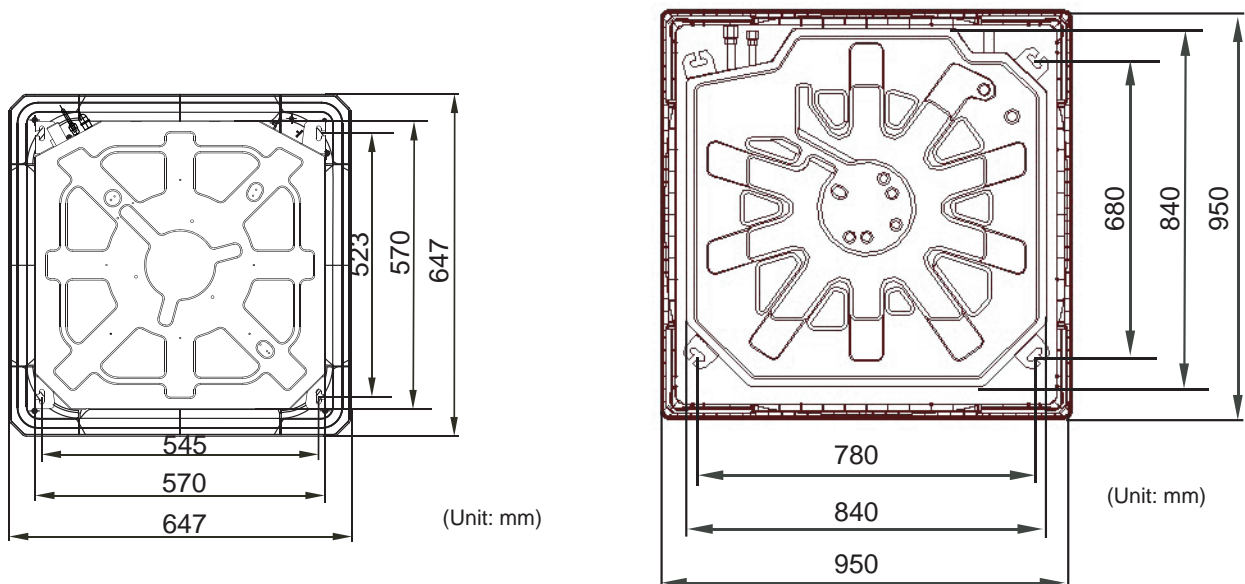
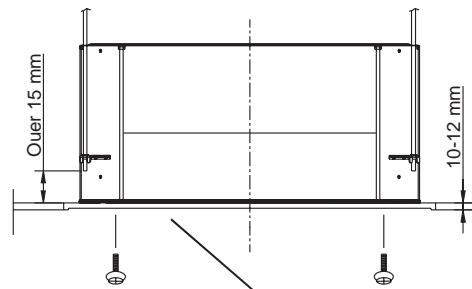


Abb.7

2. Die Verrohrung und Verkabelung muss vorgenommen werden bevor das Gerät aufgehängt wird

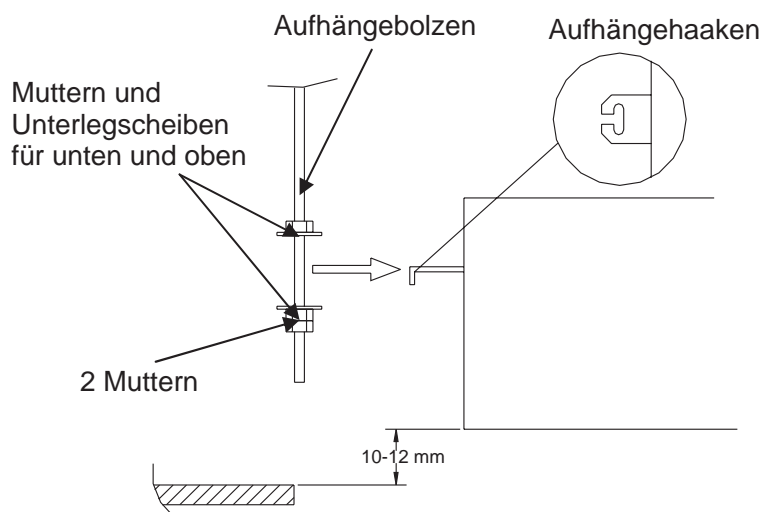
3. Der Aufhängebolzen muss je nach Abstand des Schraubenbodens und des Gerätebodens mindestens 15mm lang sein. Siehe Abb. 8.



**Abb.8**

Gelieferter Bolzen  
Montageplan in voller Größe  
(mit dem Gerät geliefert)

4. Um zu verhindern, dass ein Bolzen lose sitzt, empfiehlt es sich 3 Sechskantmuttern (vor Ort vorbereitet) und 2 Unterlegscheiben (Zubehör) für jeden Aufhängebolzen zu benutzen. Bitte beachten Sie, dass auf der unteren Seite 2 Muttern benutzt werden (Abb. 9).
5. Zwischen dem Gerät und dem Deckenboden sollte ein Abstand von 10~12mm freigehalten werden. Ziehen Sie alle Muttern an den Aufhängebolzen an (Abb. 9).



**Abb.9**



### Montage des Lüftungskanals

1. Die Seitenöffnungen sind zur Installation von separaten Lüftungskanälen bestimmt, um den Einlass der Außenluft und die Verbreitung der aufbereiteten Luft im angrenzenden Raum zu gewährleisten.
2. Benutzen Sie eine Lochzange, um die ausstoßbaren Öffnungen am Gehäuse zu öffnen. Benutzen Sie ein Messer, um im Polystyrol hinter dem Gehäuse die passende Öffnung einzuschneiden.

PASSEN SIE AUF, dass die Spule des Wärmeübertragers, die sich hinter den Öffnungen befindet, nicht beschädigt wird.

3. Dichten Sie die Lücken zwischen dem Lüftungskanal und den Öffnungskanten mit einer Antikondensations-Isolierung ab.
4. Benutzen Sie ein Material, das einer dauernden Betriebstemperatur von 60°C standhalten kann. Die Lüftungskanäle können flexibler Art sein, eine gewellte Aluminiumfederung haben und inwendig mit einem Isoliermaterial beschichtet sein (12 bis 25 mm dicke Glasfasern).
5. Wenn Sie mit der Montage fertig sind, muss die ganze Oberfläche des nicht-isolierten Lüftungskanals mit einem Antikondensations-Isolierstoff (mit 6mm dickem, geschäumtem Polystyrol oder geschäumtem Neopren) beschichtet werden. Feuerfestigkeitsklassifizierung: M1.

### WERDEN DIE OBENSTEHENDEN ANWEISUNGEN NICHT BEFOLGT, SO BILDET SICH EIN KONDENSWASSERFLUSS.

6. Zur Luftverteilung in einen angrenzenden Raum müssen die entsprechenden Panellen-Luftauslässe mit dem Dichtungsmaterial (Zubehör) abgedichtet werden.
7. Das Dekorationsgitter wird in der Trennwand zwischen dem klimatisierten Raum (wo die Kassette montiert ist) und dem angrenzenden Raum angebracht.

Modellen 12/18:

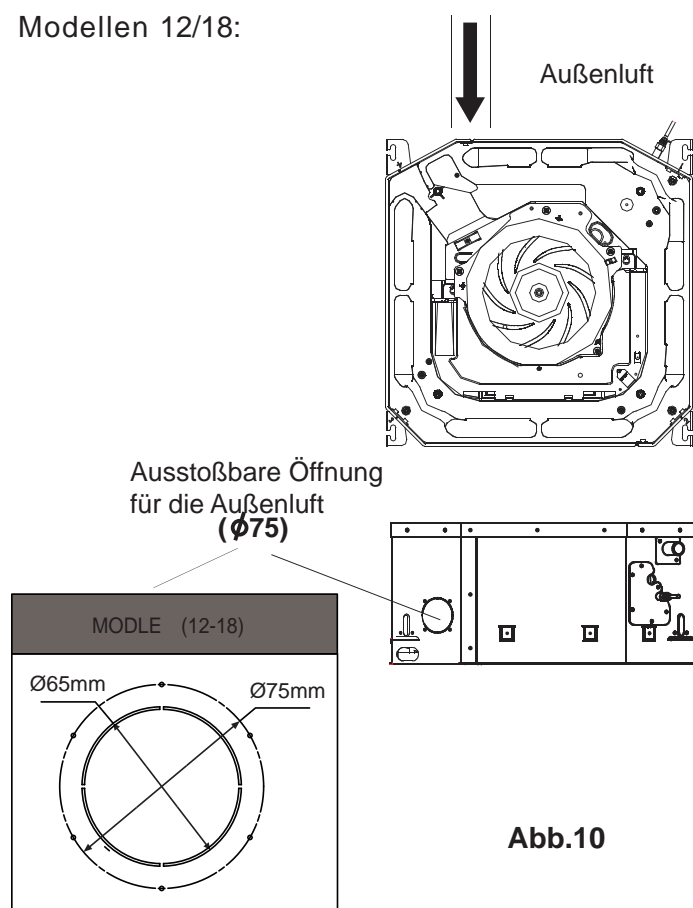


Abb.10

Modellen 24~60

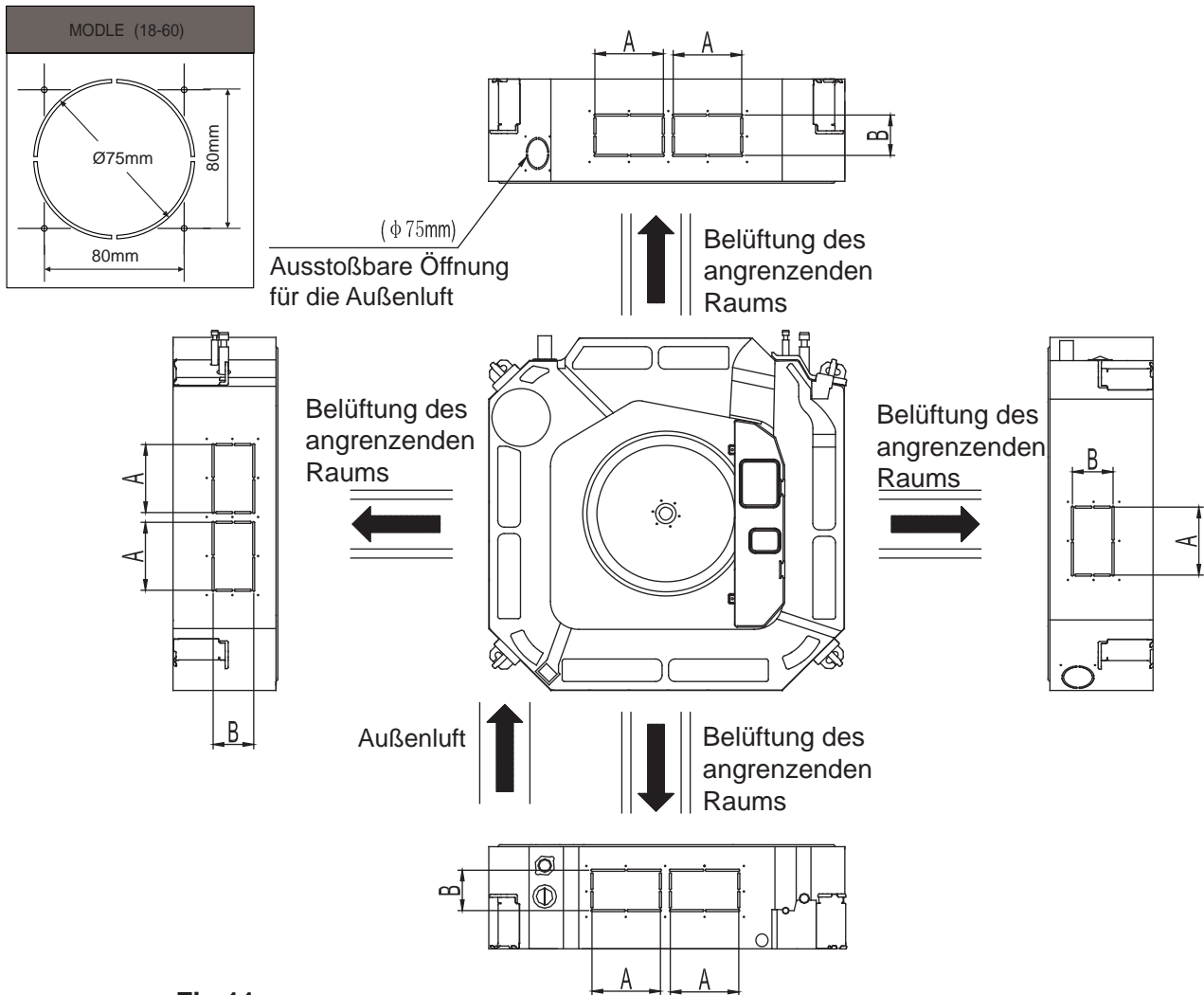


Fig.11



### HINWEIS

ON-OFF : 24: A=160mm; B=75mm ; 30-60: A=160mm; B=95mm

INVERTER : 24-60: A=160mm; B=95mm

## 8. ANSCHLUSS DES KONDENSATSCHLAUCHS

### Anschluss des abflussschlauchs

1. Benutzen Sie ein Standard Hart-PVC-Rohr als Abflussrohr.
2. Benutzen Sie den Abflussschlauch um die Richtung zu wechseln.(vor Ort präpariert)
3. Führen Sie den Abflussschlauch ein, bis er gut an der Abflussmündung angeschlossen ist und schließen Sie die Schlauchklemme fest zu (vor Ort präpariert)(Abb. 12).
4. Nachdem Sie den Abfluss geprüft haben, umwickeln Sie den Abflussschlauch mit der Isolierung und den Klemmen . (vor Ort präpariert)( Abb.12)

#### Abflussanschluss

OD:31.2mm(Modellen: 24-60)

OD:25mm(Modellen:12-18)

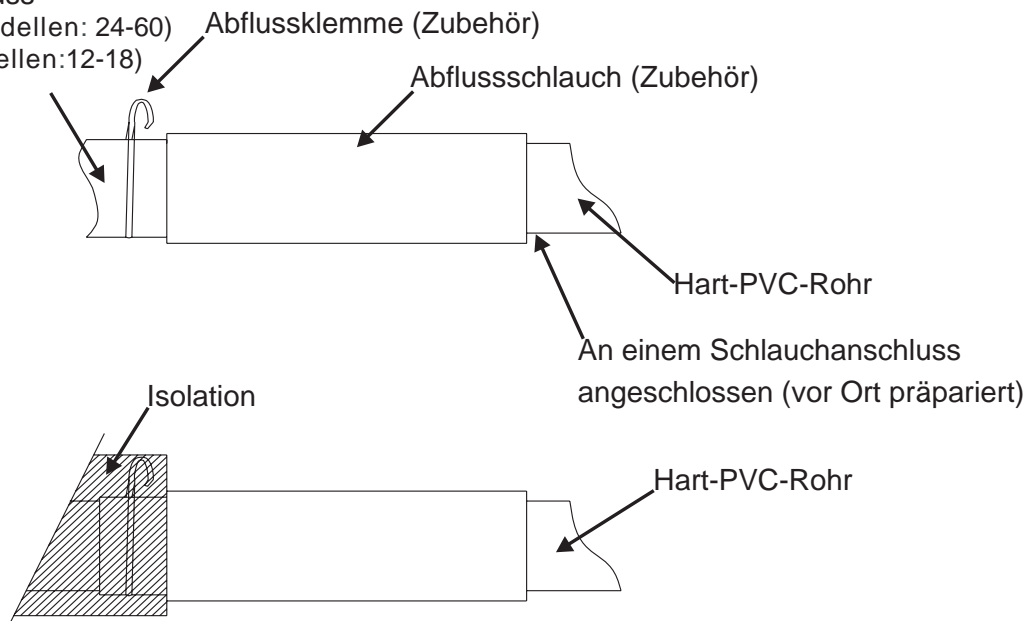


Abb.12

### Vorsicht

1. Heben Sie das Abflussrohr nicht höher als 0.75m, sonst besteht die Gefahr, dass Wasser durchsickert (Abb.13)
2. Prüfen Sie, ob das Abflussrohr eine Abwärtsneigung (von 1/100) aufweist und kein Wasserhindernis vorhanden ist (Abb.13).
3. Um das Abflussrohr zu halten, bringen Sie alle 1 bis 1,5m Halter an (Abb.13).

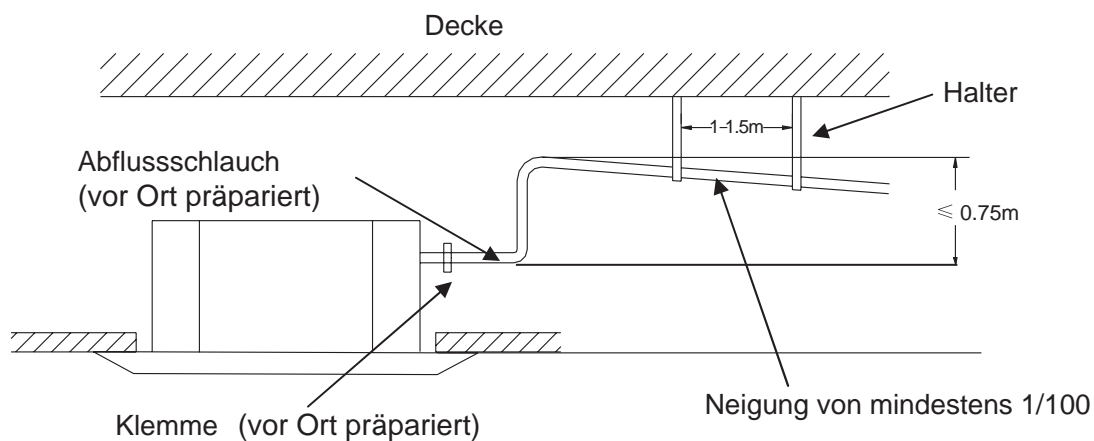


Abb.13

### Prüfen Sie den Abfluss

1. Nach der Verkabelung und Verrohrung der Abwasserleitung prüfen Sie den Abfluss gemäß dem folgenden Verfahren. Falls nötig, bereiten Sie einen Eimer und einen Lappen vor, um verschüttetes Wasser aufzuwischen.
2. Schließen Sie den AC 220V~240V Strom an die Anschlussblöcke (L, N Anschlüsse) im elektrischen Kasten.
3. Gießen Sie langsam 1000cc Wasser in die Ablaufwanne ein (Abb.14).
4. Lassen Sie das Gerät im Kühlbetrieb laufen. Prüfen Sie den Abfluss durch die durchsichtige Abflussmündung, um sicherzustellen, dass keine undichte Stelle vorhanden ist.
5. Vergessen Sie nicht, nach der Prüfung die Stromzufuhr zu unterbrechen.

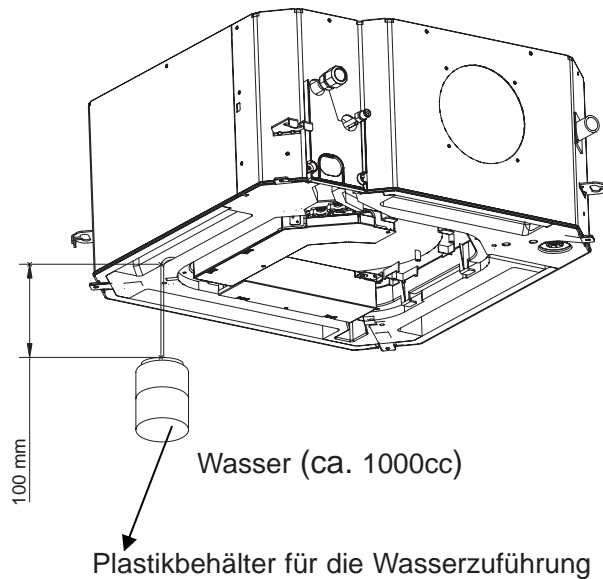


Abb.14

#### **Vorsicht!**

Während dieses Vorgangs wird der Ventilator in Betrieb gesetzt. Nehmen Sie sich deshalb vor dem rotierenden Ventilator in Acht.

### Beenden Sie die Entwässerungsarbeiten.

Nachdem Sie den Abfluss geprüft haben, prüfen Sie, ob die Isolierung um das Innen-Abflussrohr gewickelt ist, damit sich kein Kondensationsniederschlag bilden kann. (Das Material sollte die Feuerfestigkeitsklassifizierung M1 haben)

## 9. ELEKTRISCHE VERBINDUNG ZWISCHEN DEM INNEN UND AUSSENGERÄT

### Elektrische Voraussetzungen

Elektrische Verkabelungen und Verbindungen sollten von einem qualifizierten Elektriker und in Übereinstimmung mit den lokalen elektrischen Codes und Regelungen ausgeführt werden. Die Klimageräte müssen geerdet werden.

Das Klimagerät muss an eine passende Steckdose eines separaten Zweigstromkreises angeschlossen werden, der, gemäß den Spezifikationen auf dem Namensschild des Geräts, durch einen verzögerten Stromkreisunterbrecher geschützt ist.

Die Stromspannung sollte nicht über  $\pm 10\%$  des erforderlichen Spannungswerts variieren.

1. Benutzen Sie die folgenden elektrischen Kabel, um ans Innengerät anzuschließen. Elektrische Anschlüsse (page 16):
2. Präparieren Sie die Kabelenden zur Stromversorgung für die Kabel zwischen den Außen und Innengeräten, wie in Abb. 15a bzw. 2b gezeigt wird.
3. Schließen Sie die Kabelenden an die Innen- und Außengeräteanschlüsse an, wie in Abb. 16 gezeigt wird.
4. Befestigen Sie das Mehrfach-Stromversorgungskabel mit Kabelschellen.

Hinweis: Der Farbcode der Kabel kann vom Installateur gewählt werden.

#### • Stromversorgungskabel

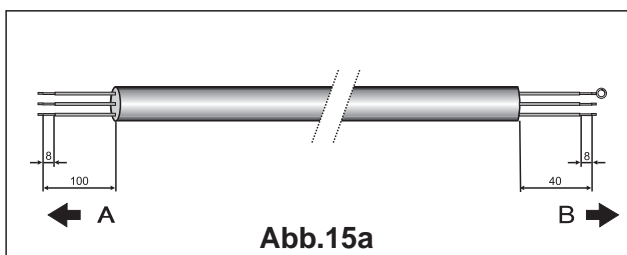


Abb.15a

#### • Verbindungskabel zwischen den Innen- und Außengeräten

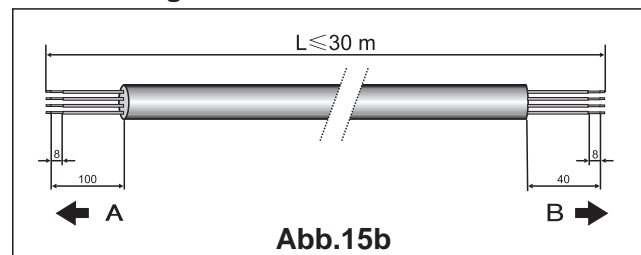


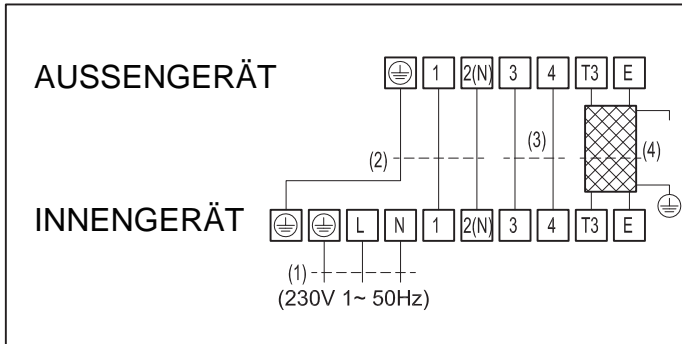
Abb.15b

Abb.15 A. AUSSEN. B. INNEN

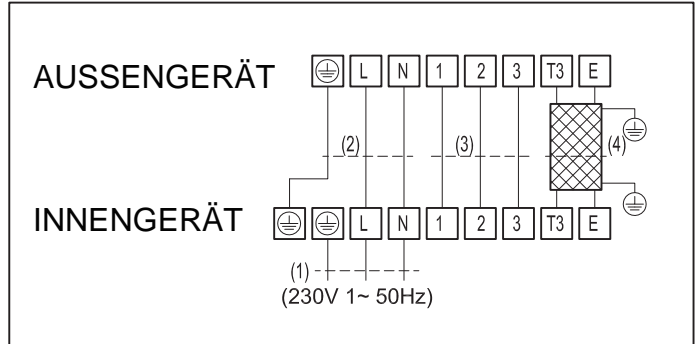
Schaltvorkehrungen

ON-OFF TYPE

12/18 KBtu/h

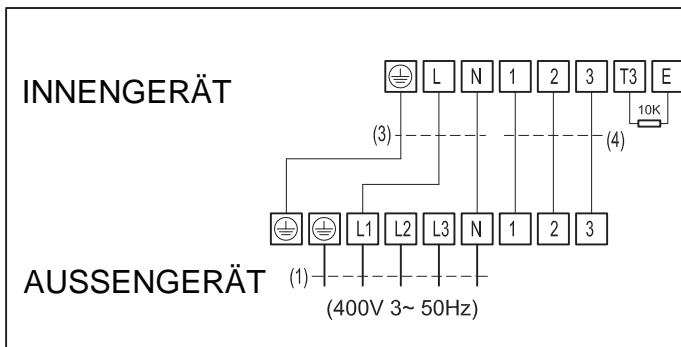


24/30/36 KBtu/h

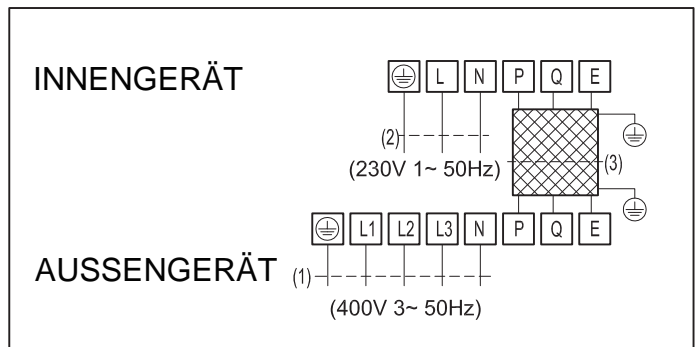


Kapazität	12/18K	24K	30K/36K
Stromversorgung	INNENGERÄT		
Fuse Rating	16A	25A	30A
1- Stromversorgungskabel (IDU)	3 x 1.5mm <sup>2</sup>	3 x 2.5mm <sup>2</sup>	3 x 4.0mm <sup>2</sup>
2- Verbindungskabel	3 x 1.5mm <sup>2</sup>	3 x 2.5mm <sup>2</sup>	3 x 4.0mm <sup>2</sup>
3- Verbindungskabel	2 x 1.0mm <sup>2</sup>	3 x 1.0mm <sup>2</sup>	3 x 1.0mm <sup>2</sup>
4- Verbindungskabel	2 x 0.5mm <sup>2</sup>	2 x 0.5mm <sup>2</sup>	2 x 0.5mm <sup>2</sup>

36 KBtu/h (3Ph)



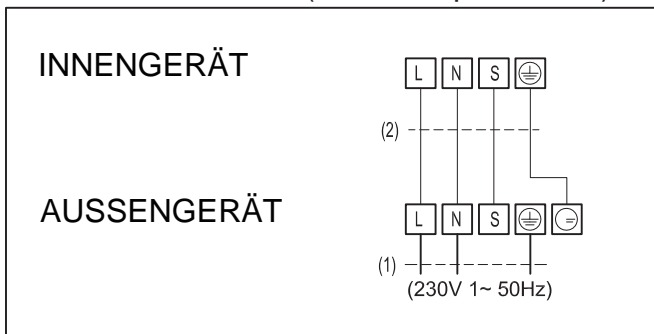
48/60 KBtu/h (3Ph)



Kapazität	36K (3Ph)	48K	60K
Stromversorgung	AUSSENGERÄT	INNENGERÄT und AUSSENGERÄT	
Fuse Rating (ODU/IDU)	20A /-	25A / 16A	25A / 16A
1- Stromversorgungskabel (ODU)	5 x 2.5mm <sup>2</sup>	5 x 2.5mm <sup>2</sup>	5 x 2.5mm <sup>2</sup>
2- Stromversorgungskabel (IDU)	-	3 x 1.0mm <sup>2</sup>	3 x 1.0mm <sup>2</sup>
3- Verbindungskabel	3 x 1.0mm <sup>2</sup>	3 x 0.5mm <sup>2</sup>	3 x 0.5mm <sup>2</sup>
4-Verbindungskabel	3 x 1.0mm <sup>2</sup>	-	-

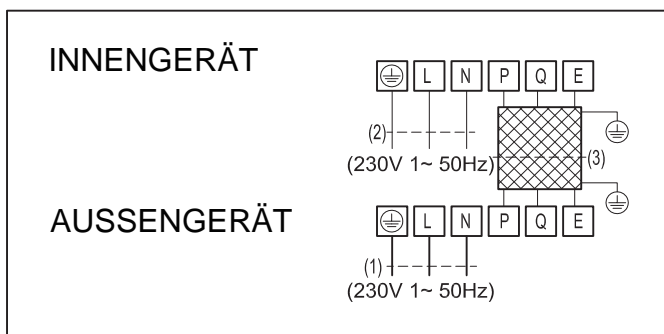
**INVERTER TYPE**

12KBtu/h, 18KBtu/h(Für Multisplit-Geräte)

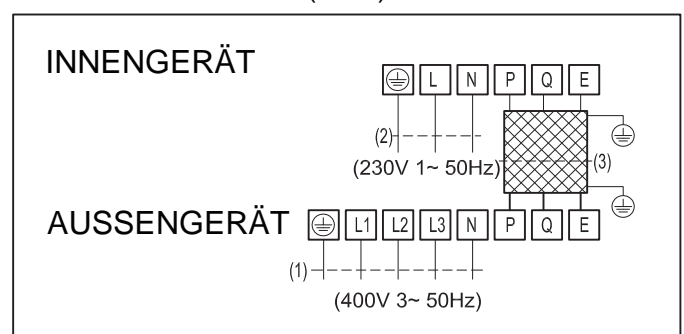


Kapazität	12K	18K(Für Multisplit-Geräte)
Stromversorgung	AUSSENGERÄT	AUSSENGERÄT
Fuse Rating	16A	AUSSENGERÄT
1- Stromversorgungskabel	3 x 2.5mm <sup>2</sup>	AUSSENGERÄT
2- Verbindungskabel	4 x 1.0mm <sup>2</sup>	4 x 1.0mm <sup>2</sup>

18/24/30/36 KBtu/h



36/48 KBtu/h (3Ph)



Kapazität	18k	24k	30k	36k
Stromversorgung	IINNENGERÄT und AUSSENGERÄT			
Fuse Rating (ODU/IDU)	16A / 10A	20A / 10A	30A / 10A	30A / 10A
1- Stromversorgungskabel(ODU)	3 x 2.5mm <sup>2</sup>	3 x 2.5mm <sup>2</sup>	5 x 2.5mm <sup>2</sup>	5 x 4.0mm <sup>2</sup>
2- Stromversorgungskabel(IDU)	3 x 1.0mm <sup>2</sup>	3 x 1.0mm <sup>2</sup>	3 x 1.0mm <sup>2</sup>	3 x 1.0mm <sup>2</sup>
3- Verbindungskabel	3 x 0.5mm <sup>2</sup>	3 x 0.5mm <sup>2</sup>	3 x 0.5mm <sup>2</sup>	3 x 0.5mm <sup>2</sup>

Kapazität	36k(3Ph)	48K	
Stromversorgung	IINNENGERÄT und AUSSENGERÄT		
Fuse Rating (ODU/IDU)	20A / 10A	25A / 10A	
1- Stromversorgungskabel(ODU)	5 x 2.5mm <sup>2</sup>	5 x 2.5mm <sup>2</sup>	
2- Stromversorgungskabel(IDU)	3 x 1.0mm <sup>2</sup>	3 x 1.0mm <sup>2</sup>	
3- Verbindungskabel	3 x 0.5mm <sup>2</sup>	2 x 0.5mm <sup>2</sup>	

## 10. KÄLTEMITTELLEITUNG

### Schliessen sie das innengerät an das aussengerät an

Das Innengerät enthält eine kleine Menge an Nitrogen. Lösen Sie die Muttern nicht von einem Gerät das genügend mit Kältemittel (R410A) gefüllt ist. Sehen Sie auf dem Namenschild des Außengeräts nach.

Benutzen Sie zur Biegung der Rohre ein Biegewerkzeug, um einen Rohrbruch zu vermeiden.

**BEMERKUNG::** Benutzen Sie nur ein R410A Kältemittel, das für Kupferrohre geeignet ist.

1. Öffnen Sie den Ventildeckel.
2. Verwenden Sie den Rohrdurchmesser, der dem Rohrdurchmesser der Innern- und Außengeräte entspricht. Bitte beachten Sie, dass die Flüssigkeitsleitungen und Saugrohre verschiedene Durchmesser haben. (Siehe Tabelle der Rohrgrößen und Drehverschlüsse.)
3. Bringen Sie Bördelmuttern an die Rohrenden an, bevor Sie sie die Rohre mit einem Bördelgerät bearbeiten. Benutzen Sie die Bördelmuttern, die an den Innen- und Außengeräten angebracht sind.
4. Schließen Sie alle Rohrenden an die Innen- und Außengeräte an. Beachten Sie das Symbol. Alle Enden sollten miteinander übereinstimmen.
5. Isolieren Sie jedes Rohr und sein Verbindungsstück separat mit einer mindestens 6 mm Isolierung. Wickeln Sie die Kältemittleitung, den Abflussschlauch und die elektrischen Kabel mit UV-geschütztem Vinylband zusammen.

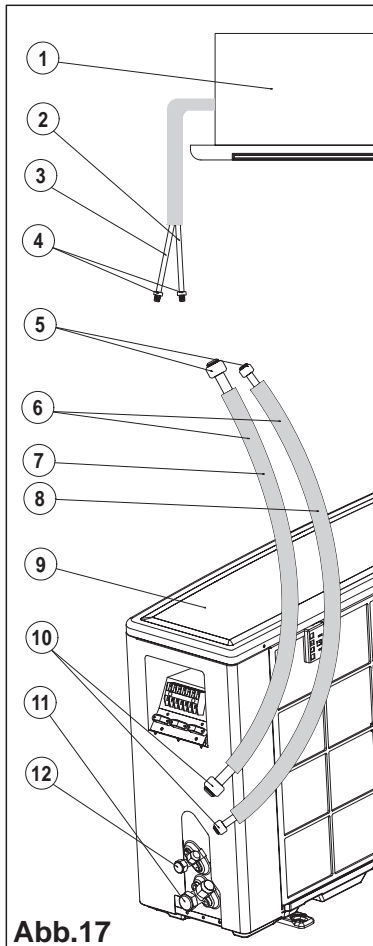


Abb.17

#### Vorsicht!

Stehen Sie beim Aufschrauben der Ventilverschlüsse niemals vor den Ventilen oder Spiralen, wenn das System unter Druck ist.

#### Abb.17

1. innengerät
2. Flüssigkeitsrohr (kleiner Durchmesser)
3. Saugrohr (großer Durchmesser)
4. Stecker
5. Bördelmuttern
6. Leitung zwischen den Geräten
7. Saugrohr
8. Flüssigkeitsrohr
9. aussengerät
10. Bördelmuttern
11. Saugventil (groß)
12. Flüssigkeitsventil (klein)

Drehverschlüsse der Verbindungen und Ventile festdrehen

ROHRGRÖSSE	VERDRILLUNG
Flüssigkeitsleitung 1/4"	15-20 N.M.
Saugleitung 3/8"	30-35 N.M
Saugleitung 1/2"	50-54 N.M.
Saugleitung 5/8"	75-78 N.M.

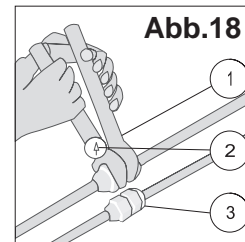


Abb.18

1. Schraubenschlüssel
2. Drehmomentschlüssel
3. Verbindung

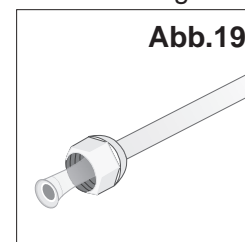


Abb.19

Abb. 19  
Um ein Durchsickern des Kältemittels zu verhindern, beschichten Sie die gebördelte Oberfläche mit Kältemittelöl

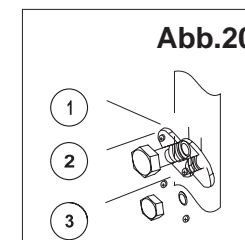


Abb.20

1. Saugventil
2. Wartungsanschluss
3. Flüssigkeitsventil
4. Verbindung



### Setzen sie die Kältemittelrohre und das Innengerät unter Vakuum

Nachdem die Verbindungen es Innen und Außengeräts angeschlossen wurden, läutern Sie die Luft in den Rohren und im Innengerät folgendermaßen:

1. Schließen Sie die Füllschläuche mit einer Stecknadel an die niedrige Seite des Füllsatzes und an den Wartungsanschluss des Saugventils an. Vergewissern Sie sich, ob das Ende des Füllschlauchs mit der Stecknadel am Wartungsanschluss angeschlossen ist.
2. Schließen Sie den mittleren Schlauch des Füllsatzes an eine Vakuumpumpe an.
3. Schalten Sie den Netzschalter der Vakuumpumpe an und den Schalter auf der hohen Seite aus. Prüfen Sie, ob sich die Nadel der Messuhr von 0 MPa (0cm Hg) auf -0.1MPa (-76cm Hg) bewegt. Lassen Sie die Pumpe 15 Minuten laufen.
4. Schließen Sie das Ventil auf der niedrigen Seite des Füllsatzes und schalten Sie die Vakuumpumpe ab. Achten Sie darauf, dass sich die Nadel der Messuhr nach ca. 5 Min. nicht mehr bewegen sollte.
5. Beobachten Sie während fünf Minuten, ob kein Problem auftaucht und schalten Sie den Stromschalter der Vakuumpumpe an und öffnen Sie das Ventil auf der niedrigen Seite des Füllsatzes.
6. Trennen Sie den Füllschlauch von der Vakuumpumpe und von den Wartungsanschlüssen des Saugventils.
7. Schrauben Sie die Verschlusskappen der Wartungsanschlüsse des Saugventils zu.
8. Wiederholen Sie die Schritte 1 bis 7 für andere Innengeräte.
9. Entfernen Sie die Ventil-Verschlusskappen aller Ventile und öffnen Sie sie mit Hilfe eines Innensechskantschlüssels.
10. Setzen Sie die Ventil-Verschlusskappen aller Ventile wieder auf.
11. Prüfen Sie bei allen Anschlussstellen, ob kein Gas austritt.  
Prüfen Sie mit einem elektronischen Gasdetektor oder suchen Sie mittels eines, in Seifenwasser getränkten Schwammes Blasen.

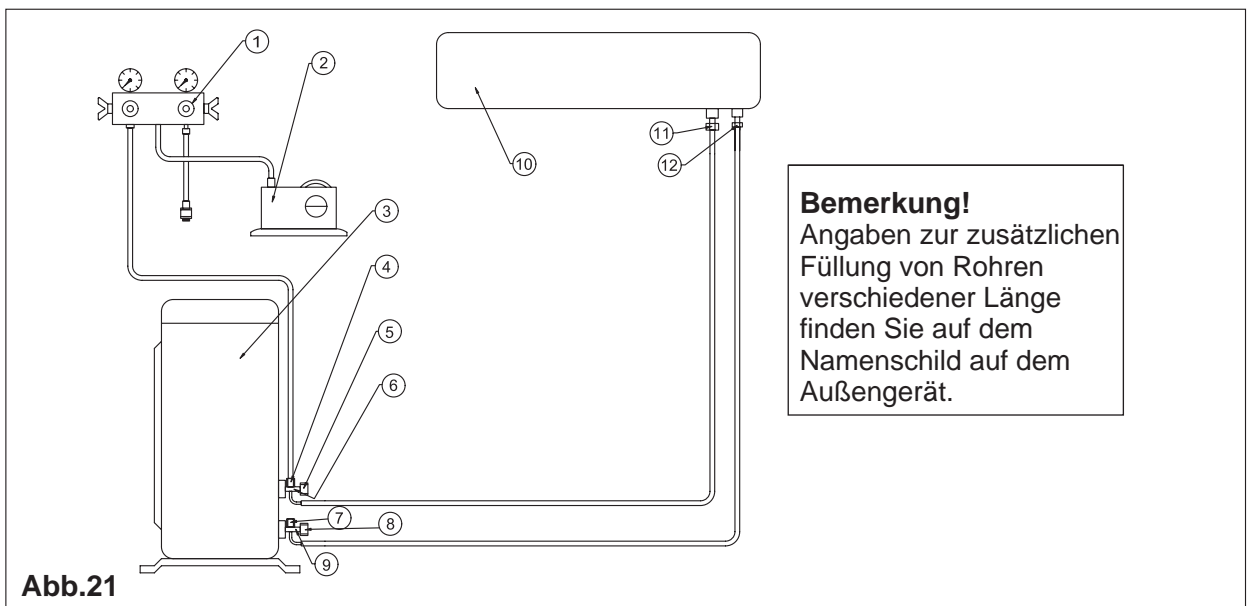


Abb.21

**Bemerkung!**  
Angaben zur zusätzlichen Füllung von Rohren verschiedener Länge finden Sie auf dem Namensschild auf dem Außengerät.

- |                      |                      |                                      |
|----------------------|----------------------|--------------------------------------|
| 1. Füllsatz          | 5. Verschlusskappe   | 9. Flüssigkeitsventil                |
| 2. Vakuumpumpe       | 6. Saugventil        | 10. Innengerät                       |
| 3. Aussengerät       | 7. Wartungsanschluss | 11. Ansaugrohr-Bördelanschluss       |
| 4. Wartungsanschluss | 8. Verschlusskappe   | 12. Flüssigkeitsrohr-Bördelanschluss |
- \*Nur in einzelnen Modellen

## 11. MONTAGE DER PANEELE

### Entfernen des Gitters:

1. Schieben Sie zwei Gitterschalter gleichzeitig in dieselbe Richtung und ziehen Sie diese anschließend nach oben (Abb.22).
2. Ziehen Sie das Gitter bis zu einem Winkel von etwa 45 Grad nach oben und entfernen Sie es (Abb.23).

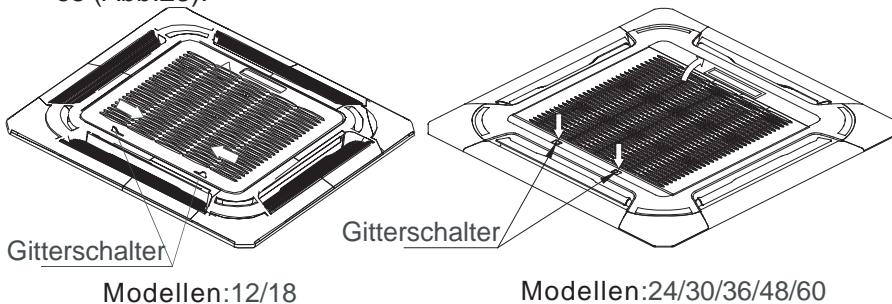


Abb.22

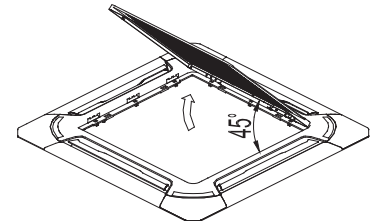


Abb.23

### Entfernen der Eckabdeckungen (bei Modell 24-60)

Entfernen Sie die Schrauben mit einem Schraubenschlüssel. Lösen Sie das Seil der Montageabdeckungen und entfernen Sie diese (Abb.24).

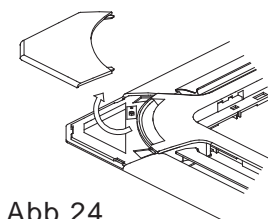


Abb.24

### Installieren der Verkleidung.

#### Bei den Modellen 12-18:

1. Ordnen Sie den Schwenkmotor an der Verkleidung bündig zu den Schlauchverbindungen des Hauptteils an (Abb.25).
2. Hängen Sie die vier fixierten Seile des Hauptteils an die Montageabdeckung und die anderen drei Abdeckungen des Schwenkmotors (Abb.25).
3. Installieren Sie die Verkleidung am Hauptteil mit Schraube (M5 x 16) und Unterlegscheibe.
4. Justieren Sie die 4 Schrauben, um die Verkleidung in horizontaler Lage zu halten. Ziehen Sie die Schrauben fest, bis die Dicke des Schwamms zwischen dem Hauptteil und der Verkleidung bis auf ca. 4 bis 6 mm reduziert ist (Abb.27).

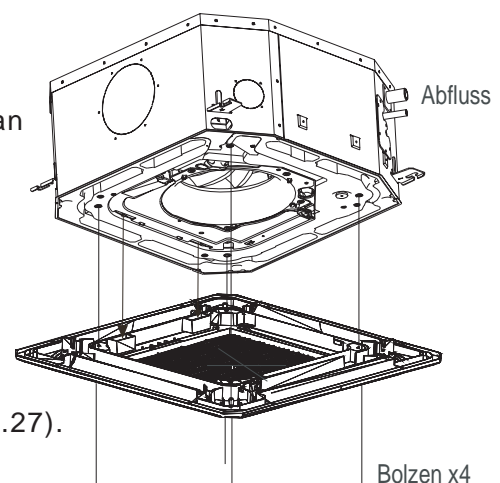


Abb.25

#### Bei den Modellen 24-60:

1. Ordnen Sie den Schwenkmotor an der Verkleidung bündig zu den Schlauchverbindungen des Hauptteils an (Abb. 26).
2. Befestigen Sie die Haken der Verkleidung am Schwenkmotor und dessen gegenüberliegende Seiten an den Haken der entsprechenden Wasseraufnahmeeinrichtung (Abb. 26-1).
3. Hängen Sie die beiden anderen Haken der Verkleidung in die entsprechenden Aufhänger des Hauptteils ein (Abb. 26-2).
4. Justieren Sie die vier Hakenschrauben der Verkleidung, damit die Verkleidung horizontal liegt, und schrauben Sie sie gleichmäßig an der Decke fest (Abb. 26-3).
5. Regulieren Sie die Verkleidung leicht in Richtung des Pfeils in Abb. 26-4, damit die Mitte der Verkleidung mit der Mitte der Deckenöffnung übereinstimmt. Vergewissern Sie sich, dass die Haken an den 4 Ecken gut fixiert sind.
6. Ziehen Sie die Schrauben unter den Haken der Verkleidung fest, bis die Dicke des Schwamms zwischen dem Hauptteil und der Verkleidung auf ca. 4 bis 6 mm reduziert ist (Abb.27).

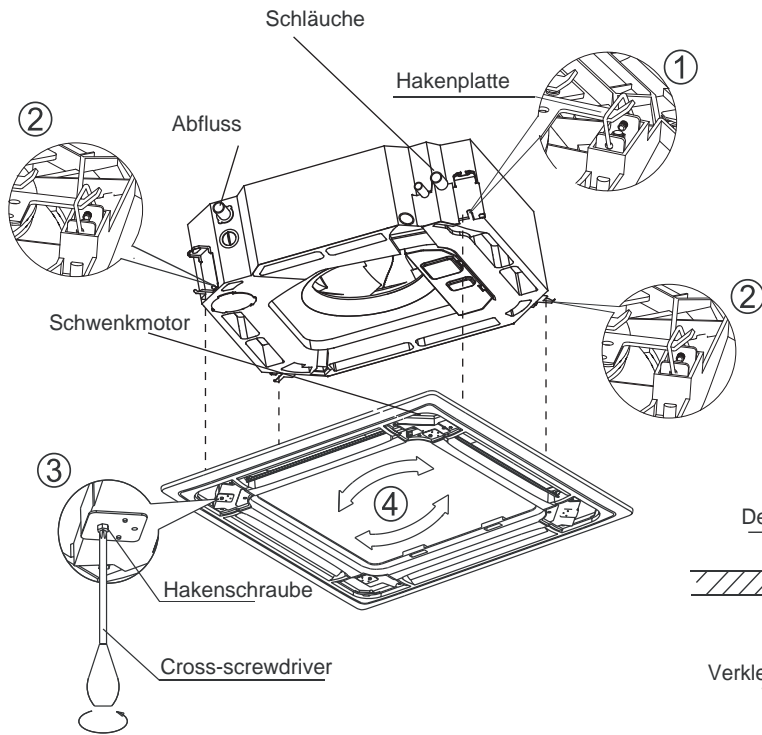


Abb.26

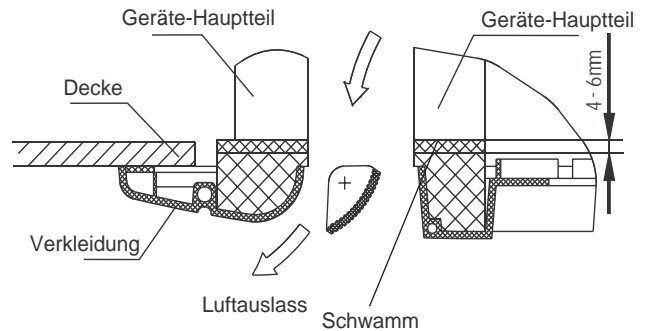


Abb.27

**Verlagern des Gitters**

1. Hängen Sie das Gitter an die Verkleidung und verbinden Sie das Kabel des Schwenkmotors und der Anzeige mit den entsprechenden Anschlüssen am Geräte-Hauptteil.
2. Verlagern Sie das Luftansauggitter in umgekehrter Reihenfolge.

**Verlagern der Eckenabdeckung**

1. Befestigen Sie das Seil der Eckenabdeckung an der Schraube der Eckenabdeckung (Abb.28).
2. Drücken Sie die Abdeckung leicht in die Verkleidung (Abb.28).

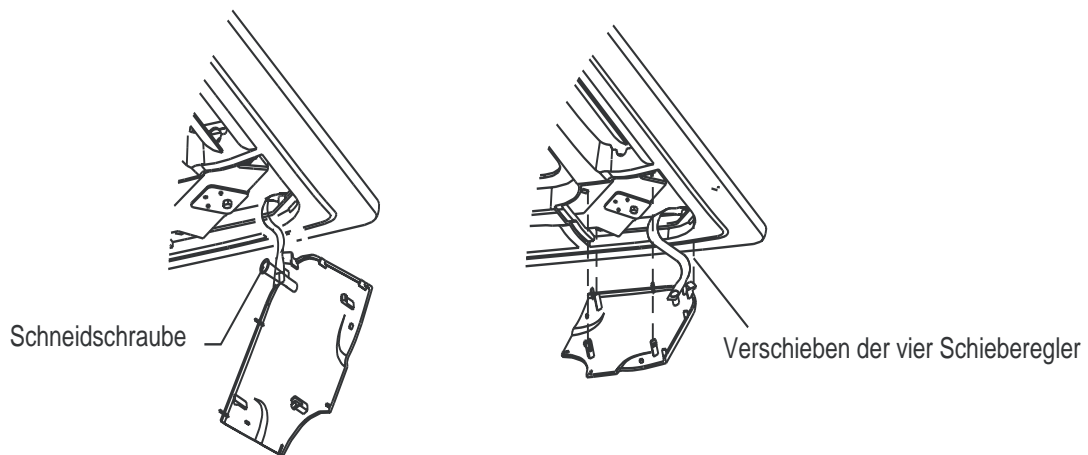


Abb.28

### 12. LETZTE VORKEHRUNGEN

1. Prüfen Sie, ob die Ventildeckel gut verschlossen sind. Schließen Sie die Ventildeckel.
2. Füllen Sie die Zwischenräume an der Wand zwischen den Öffnungsseiten und den Leitungsrohren mit Dichtungsmaterial.
3. Befestigen Sie die Kabel und Rohre nötigenfalls mit Klemmen an der Wand.
4. Lassen Sie das Gerät während mindestens 5 Minuten im Heiz- oder Kühlbetrieb laufen.
5. Erklären Sie dem Kunden die Filterentfernung, -reinigung und -montage.
6. Setzen Sie das Klimagerät zusammen mit dem Kunden in Betrieb und erklären Sie ihm alle Funktionen.
7. Überreichen Sie dem Kunden die Betriebs- und Montageanleitungen.

# CLIMATISEUR CASSETTE

**R410A**



FRANCAIS

**Français**

Type de d'unité intérieure cassette

CE

# Table des matières

1. OUTILS REQUIS POUR LES TRAVAUX D'INSTALLATION.....	2
2. PRECAUTIONS DE SECURITE.....	2
3. INSTALLATION / OUTILS DE SERVICE (seulement pour le modèle R410a).....	4
4. ACCESSOIRES.....	5
5. ACCESSOIRES EN OPTION.....	6
6. EMBLACEMENT DES UNITÉS INTÉRIEURES ET EXTÉRIEURES.....	6
7. INSTALLATION DE L'UNITÉ INTÉRIEURE.....	9
8. CONNEXION DU TUYAU DE CONDENSATION.....	14
9. CONNEXION ÉLECTRIQUE ENTRE LES UNITÉS INTÉRIEURES ET EXTÉRIEURE..	16
10. TUYAUTERIE DE RÉFRIGÉRANT.....	19
11. INSTALLATION DU PANNEAU.....	21
12. TÂCHES FINALES.....	23

L'appareil ne devrait pas être installé dans une buanderie

**Note:**

Ce manuel est destiné aux applications Single Split.

Pour les applications multi split, veuillez utiliser le manuel d'installation fourni avec l'ensemble de l'unité extérieure.

**Ce manuel peut être modifié sans avis préalable**

## 1. OUTILS REQUIS POUR LES TRAVAUX D'INSTALLATION

1. Tournevis	7. Couteau	13. Clef à couple
2. Perceuse électrique, foret ( $\varnothing$ 60mm)	8. Détecteur de fuites de gaz	18 N•m (1.8 kgf.m)
3. Clef hexagonale	9. Mètre	35 N•m (3.5 kgf.m)
4. Clef extensible	10. Thermomètre	55 N•m (5.5 kgf.m)
5. Coupe tubes	11. Méga-mètre	14. Pompe à vide
6. Alésoir	12. Multimètre	15. Manivelle de jauge (Pour le modèle R-410A)

## 2. PRECAUTIONS DE SECURITE

- L'installation doit être réalisée conformément aux normes et à la réglementation nationale en vigueur en terme électrique et de sécurité incendie des bâtiments.
- Veuillez consulter avec attention les "PRECAUTIONS DE SECURITE" avant l'installation.
- Les travaux d'électricité doivent être réalisés par un électricien diplômé. Assurez-vous de l'utilisation de la tension correcte dans la prise et le circuit principal du modèle à installer.
- Ces précautions doivent être suivies à la lettre car elles sont liées à la sécurité. La signification de chaque indication est présentée dans ce qui suit: Une installation incorrecte causée par l'ignorance des instructions causera des dangers et des dommages dont la sévérité est classée comme suit:
- Exécutez un test pour confirmer qu'aucune anomalie ne se produit après l'installation. Ensuite, expliquez à l'utilisateur l'opération, l'assistance et la maintenance ainsi qu'il en est fait état dans les instructions. Veuillez rappeler au client de garder les instructions d'opération pour pouvoir s'y référer ultérieurement.

## AVERTISSEMENT

- 1) Employez un installateur qualifié et suivez précautionneusement ces instructions. Autrement, cela risquerait de causer un choc électrique, une fuite ou un problème esthétique.
- 2) Installez dans un emplacement capable de supporter le poids de l'appareil. L'appareil risquerait de tomber et causer des blessures en cas de support insuffisamment solide ou d'installation incorrectement effectuée.
- 3) Pour les travaux électriques, suivez les normes locales de câblage, la réglementation nationale ainsi que ces instructions d'installation. Un circuit indépendant et une prise unique devront être utilisés. Si la capacité du circuit électrique est insuffisante ou qu'un défaut est trouvé dans les travaux d'électricité, cela causera un choc ou un incendie électrique.
- 4) Utilisez le câble spécifié et fixez étroitement la connexion intérieure / extérieure. Branchez étroitement et fixez le câble de manière à ce qu'aucune force n'agisse sur la borne. Si la connexion ou la fixation sont imparfaites, cela causera une surchauffe ou un incendie au branchement électrique.
- 5) Le routage des fils doit être correctement arrangé de manière à ce que le couvercle du panneau de contrôle soit bien fixé. Si le couvercle du panneau de contrôle n'est pas parfaitement fixé, cela causera une surchauffe ou un incendie au branchement électrique ou à la borne.
- 6) Lors du branchement de la tuyauterie, faites attention à ne pas laisser pénétrer des substances autres que le réfrigérant spécifié dans le cycle de réfrigération. Autrement, cela causera une capacité affaiblie, une pression anormalement élevée dans le cycle de réfrigération, une explosion ou des blessures.
- 7) N'utilisez pas de câble de courant endommagé ou différent de celui ayant été spécifié. Autrement, cela causera un incendie ou un choc électrique.
- 8) Ne modifiez pas la longueur du câble de courant, n'utilisez pas de rallonge et ne partagez pas la prise avec d'autres appareils électriques. Autrement, cela causera un incendie ou un choc électrique.
- 9) Cet équipement doit être mis à la terre. Un défaut de mise à la terre causera un choc électrique.

- 10) L'unité ne doit pas être installée : dans les cas ci dessus, il y a une risque que l'unité prend feu.
  - a) Dans des endroits avec un risque de fuite des gaz inflammable ou avec d'huile ou autres substances inflammables dans l'air.
  - b) Au dessus des plaques de cuisson.
  - c) Prés des appareils de chauffage.
- 11) Installez la tuyauterie de vidange ainsi que mentionné dans les instructions d'installation. Si le drainage est incorrect, l'eau pourrait s'évacuer dans la pièce et endommager les meubles.
- 12) Pour les appareils disposant de chauffages supplémentaires, le jeu minimal entre l'appareil et le combustible est de 50cm. Cela risquerait autrement de causer des incendies.

## ATTENTION

- 1) Sélection de l'emplacement d'installation.  
Sélectionnez un emplacement d'installation rigide et suffisamment solide pour supporter l'unité et pour l'entretenir facilement.
- 2) Branchement électrique du climatiseur.  
Connectez le câble d'alimentation du climatiseur au secteur selon une des méthodes suivantes. Le point d'alimentation devrait être d'un accès facile en cas de déconnexion d'urgence de l'appareil.  
Dans certains pays, la connexion permanente du climatiseur à l'alimentation en courant est interdite.
- 3) Ne permettez pas la fuite de réfrigérant.  
Ne permettez pas la fuite de réfrigérant durant les travaux de tuyauterie pour l'installation, la réinstallation et durant la réparation des pièces de réfrigération. Faites attention au liquide réfrigérant. Il peut causer des brûlures.
- 4) Travaux d'installation. Deux personnes pourraient être requises pour l'exécution des travaux d'installation.
- 5) N'installez pas cet appareil dans une buanderie ou tout autre emplacement où il y a risque d'écoulement du plafond, etc.
- 6) La température du circuit réfrigérant est élevée. Veillez à éloigner le câble d'interconnexion et le tube en cuivre.



### 3. INSTALLATION / OUTILS DE SERVICE (seulement pour le modèle R410a)

#### ATTENTION

#### Installation de climatiseur à nouveau réfrigérant

#### CE CLIMATISEUR ADOPTE LA NORME NOUVEAU REFRIGERANT HFC (R410A) QUI NE DÉTRUIT PAS LA COUCHE D'OZONE.






Le réfrigérant R410A risque d'être affecté par des impuretés provenant de l'eau, de la membrane oxydante et de graisses car sa pression de travail est de près de 1.6 fois supérieure à celle du réfrigérant R22. L'huile du système de réfrigération a aussi été modifiée suite à l'adoption du nouveau réfrigérant. Aussi, durant les travaux d'installation, assurez-vous d'éviter l'entrée d'eau, de poussière, d'ancien réfrigérant ou d'huile de système de réfrigération dans le circuit du climatiseur à réfrigérant R410A. Pour éviter le mélange de réfrigérant ou d'huile de système de réfrigération, les tailles des sections de connexion du porte de charge sur l'unité principale et les outils d'installation sont différents de ceux utilisés pour les unités réfrigérantes conventionnelles. En conséquence, des outils spéciaux sont requis pour les nouvelles unités réfrigérantes (R410A). Pour les tubes de connexion, utilisez une tuyauterie propre et neuve avec des accessoires de haute pression créés pour le modèle R410A, pour éviter l'entrée d'eau ou de poussière. Par ailleurs, n'utilisez pas la tuyauterie existante car cela pourrait causer certains problèmes avec les accessoires de pression et permettre l'entrée d'impuretés dans la tuyauterie existante.



#### Modifications dans le produit et ses composants

Dans les climatiseurs utilisant R410A, le diamètre du port de service de la valve de contrôle de l'unité extérieure (valve à trois voies) a été modifié pour éviter la charge accidentelle de tout autre réfrigérant (1/2 UNF - 20 filetages par pouce)

- Pour augmenter la force de résistance à la pression de la tuyauterie de réfrigérant, le diamètre d'alésage et les tailles des écrous ont été modifiées. (Pour les tuyaux de cuivre à dimensions nominales de 1/2 et de 5/8).




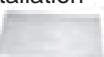





#### Nouveaux outils pour le modèle R410A

Nouveaux outils pour R410A	Applicables au modèle R22	Changements
Manivelle de jauge	×	 Il est impossible de mesurer la pression avec des jauges conventionnelles lorsqu'elle est élevée. Pour éviter la charge de tout autre réfrigérant, les diamètres des ports ont été modifiés.
Tuyau de charge	×	 Pour augmenter la résistance à la pression, les matériaux et tailles des ports ont été modifiés (à 1/2 UNF - 20 filetages par pouce). Lors de l'acquisition d'un tuyau de charge, assurez-vous de la conformité de sa taille.
Equilibre électronique pour Charge de réfrigérant	○	 Etant donné que la pression et la vitesse de gazéification sont élevées, il est difficile de lire la valeur indiquée avec un cylindre de charge (à bulles d'air).
Clef à couple (diamètre nominal 1/2, 5/8)	×	 La taille des écrous opposés a été augmentée. Une clef commune est utilisée pour les diamètres nominaux de 1/4 et de 3/8.
Alésoir (type Clutch)	○	 La force du ressort dans l'outil a été améliorée en augmentant la taille du trou de la barre de serrage réceptrice.
Jauge pour ajustage de projection	—	Utilisé lorsque l'alésage est réalisé avec un alésoir conventionnel.

Adaptateur de pompe à vide	○		Connecté à une pompe à vide conventionnelle. Il est nécessaire d'utiliser un adaptateur pour éviter le flux en retour de l'huile de la pompe à vide dans le tuyau de charge. La pièce de connexion du tuyau de charge dispose de deux ports - Un pour le réfrigérant conventionnel (7/16 UNF - 20 filetages par pouce) et un pour le R410A. Si l'huile de la pompe à vide (minérale) est mélangée au R410A, il peut se produire du cambouis risquant d'endommager l'équipement.
Détecteur de fuite de gaz	X		Exclusif au réfrigérant HFC.

- Le "cylindre de réfrigérant" est livré avec la désignation de réfrigérant (R410A) et un revêtement protecteur de couleur rose à la norme américaine ARI spécifiée (code de couleur ARI : PMS 507).
- De plus, le "port de charge et emballage de cylindre de réfrigérant" requiert une taille de port de 1/2 UNF - 20 filetages par pouce, correspondant à la taille du port de tuyau de charge.

#### 4. ACCESSOIRES

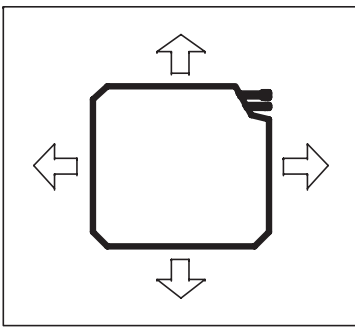
N.	Nombre d'accessoires	Quantité	N.	Nombre d'accessoires	Quantité
1	Ensemble du manuel 	1	6	Câble d'alimentation (en option) 	1
2	Télécommande et piles 	1	7	Gabarit d'installation en carton (en option) 	1
3	Collier de Télécommande (en option) 	1	8	Support d'unité (en option) 	2
4	Vis Chevilles 		9	Câble bifilaire (en option) 	1
5	Connecteur de drain d'unité extérieure 	1			

## 5. ACCESSOIRES EN OPTION

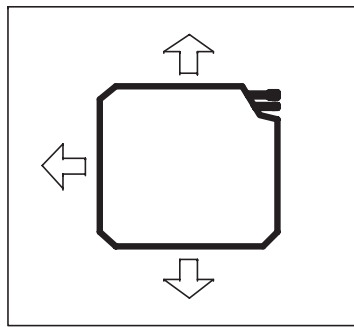
## 6. EMBLACEMENT DES UNITÉS INTÉRIEURES ET EXTÉRIEURES

Ce climatiseur dispose d'une option de décharge d'air à deux ou trois voies selon l'emplacement de l'installation. Utilisez des produits d'étanchéité dans les accessoires pour étancher les prises d'air.

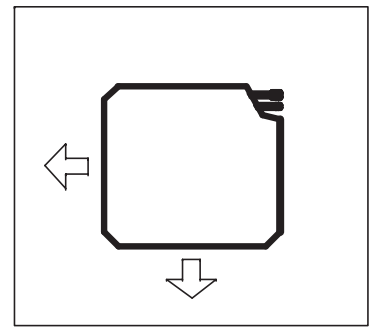
Direction du flux d'air (exemple)



Direction 4 voies (Par défaut)



Direction 3 voies



Direction dans les deux voies

### unité intérieure

1. N'installez pas la cassette dans une pièce où sont stockés des gaz, des acides ou des produits inflammables afin d'éviter d'endommager les évaporateurs en aluminium et en cuivre ainsi que les pièces internes en plastique.
2. N'installez pas la cassette dans un atelier ou dans une cuisine. La vapeur d'huile attirée par l'air traité pourrait former des dépôts sur les évaporateurs de la cassette et modifier leur performance ou endommager les parties internes en plastique de la cassette.
3. N'installez pas la cassette dans une buanderie ou dans une pièce où est produite de la vapeur.
4. L'appareil doit être positionné de manière à ce que la fiche soit accessible.
5. L'installation de la cassette sera plus facile avec une fourchette d'élévation. Utilisez la base de l'emballage en la plaçant entre la cassette et les fourches de l'élévateur.
6. Il est recommandé d'installer la cassette aussi loin que possible au centre de la pièce afin d'optimiser la distribution de l'air climatisé.
7. Vérifiez, pour l'emplacement choisi, que les grilles de distribution peuvent être retirées et qu'il y a suffisamment d'espace pour accéder à l'appareil, pour la maintenance et les réparations.

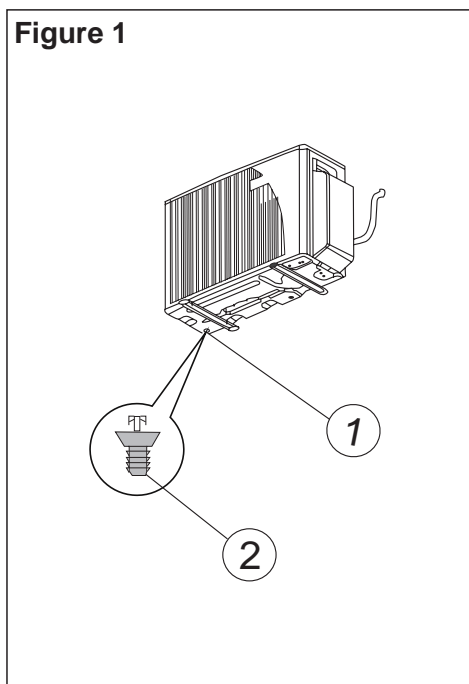
## Extérieur

1. L'emplacement doit permettre une réparation rapide et offrir une bonne circulation de l'air ainsi qu'indiqué en figure 4.
2. L'unité peut être suspendue sur le mur avec un support (option) ou sur une position libre sur le sol (il est préférable qu'elle soit légèrement élevée).
3. Si l'unité est suspendue, assurez-vous que le support (collier) est fermement connecté et que le mur est suffisamment solide pour supporter les vibrations.
4. L'emplacement de l'unité ne devrait pas générer les voisins par le bruit ou le flux d'air.
5. Placez les pads de montage sous les pieds de l'unité.
6. Référez-vous à la figure 4 pour les distances d'installation permises.

Lorsque l'unité est installée sur un mur, installez le tuyau du connecteur de drainage et la fiche de drainage ainsi qu'indiqué dans les figures 1 et 2.

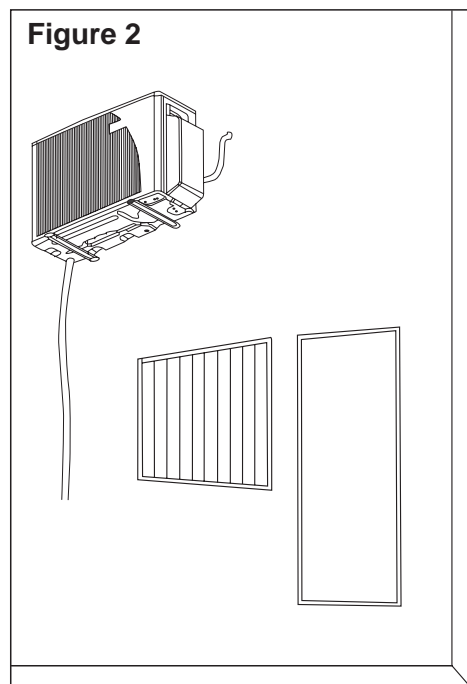
**Figure 1**

1. Partie basse de l'unité intérieure
2. Connecteur de vidange (drain)



**Figure 2**

- installation du drain  
Exemple



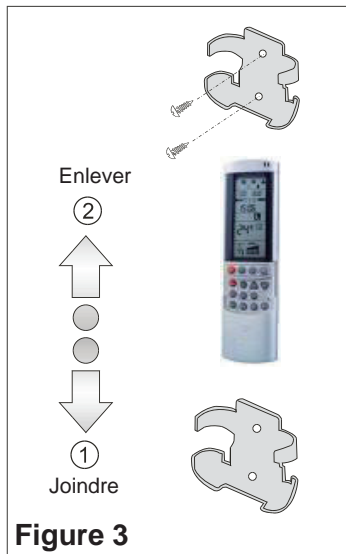


Figure 3

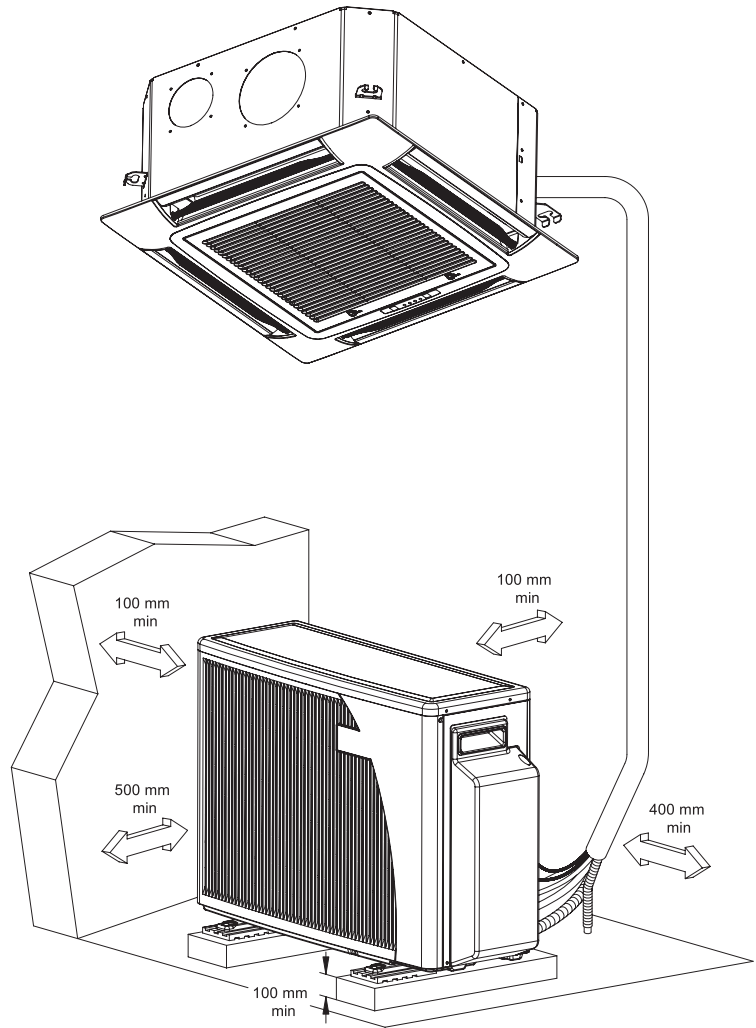


Figure 4

**Note :**  
Aucune charge additionnelle n'est requise.

**Figure. 4**  
Pads de pose (x 4)

MAXIMALE TUBE longueur et Hauteur (TYPE ON-OFF)

CAPACITE (KBtu/h)	TUBE LIQUIDE -GAZ (Inch)	A- L.MAX (m)	B - H.MAX (m)	LONGUEUR DE PRECHARGE (m)	CHARGE SUPPLÉMENTAIRES (g/m)
12	1/4"-1/2"	20	10	5	15
18	1/4"-1/2"	25	15	5	15
24	3/8"-5/8"	25	15	5	30
30	3/8"-3/4"	25	15	5	30
36	3/8"-3/4"	30	20	5	30
48/60	3/8"-3/4"	50	25	5	30

MAXIMALE TUBE longueur et Hauteur (TYPE INVERTER)

CAPACITE (KBtu/h)	TUBE LIQUIDE -GAZ (Inch)	A- L.MAX (m)	B - H.MAX (m)	LONGUEUR DE PRECHARGE (m)	CHARGE SUPPLÉMENTAIRES (g/m)
12	1/4"-3/8"	20	10	5	15
18	1/4"-1/2"	30	20	5	15
24/30	3/8"-5/8"	50	25	5	30
36/48/60	3/8"-5/8"	65	25	5	30

## 7. INSTALLATION DE L'UNITÉ INTÉRIURE

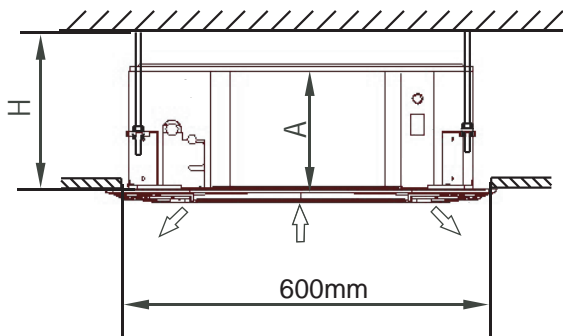
### Déterminer la taille de l'ouverture du plafond

1. Emplacement d'installation de faux-plafond:

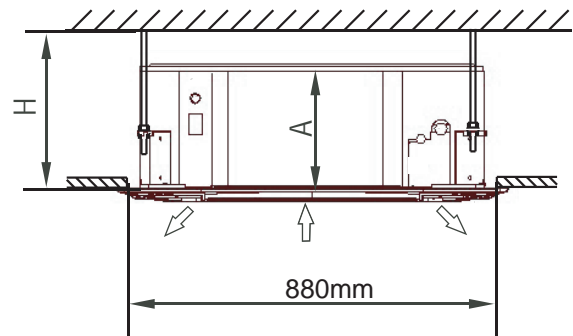
Cette unité est une mini-cassette et c'est pourquoi il n'est pas nécessaire de percer une ouverture dans le plafond. Retirez simplement un panneau du plafond.

2. Emplacement d'installation sur plafond de base :

Créez l'ouverture requise pour l'installation dans le plafond. La table ci-dessous indique la relation entre l'ouverture du plafond et le panneau (Fig. 5)

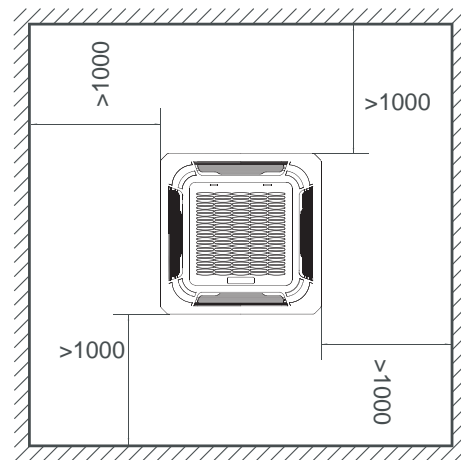
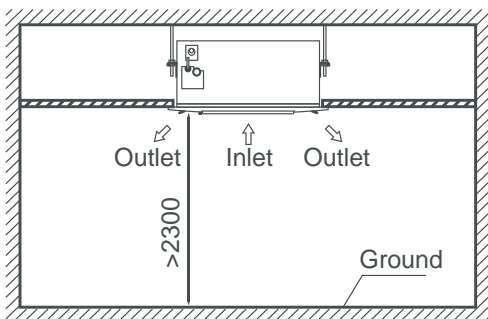


Modèle 12-18



Modèle 24-60

Figure 5



### ON-OFF

CAPACITE (KBtu/h)	A	H
12-18	270mm	>280mm
24	205mm	>235mm
30-48	245mm	>275mm
60	287mm	>317mm

### INVERTER

CAPACITE (KBtu/h)	A	H
12-18	270mm	>280mm
24-36	245mm	>275mm
48-60	287mm	>317mm

## Installation de l'unité intérieure

1. utilisez le gabarit d'installation (fourni avec le panneau) puis déterminez la position du boulon de suspension. La figure 7 et la table 1 montre les correspondances entre les dimensions.

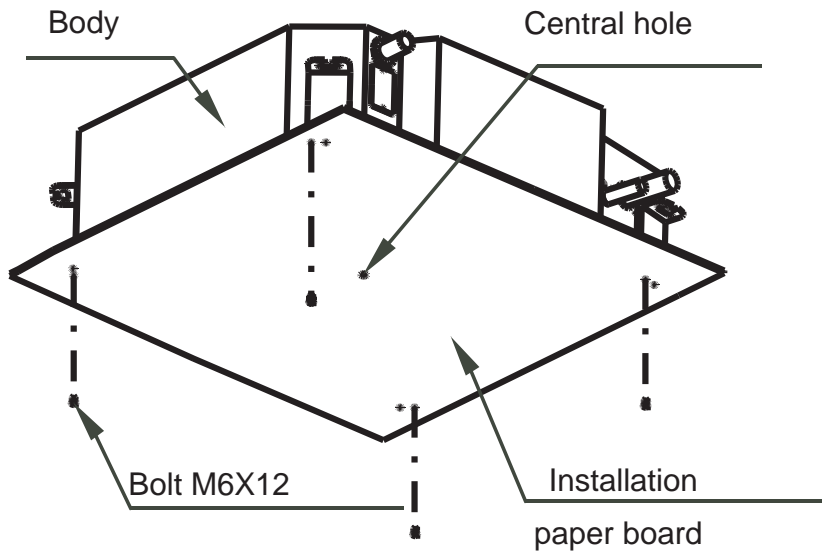


Figure 6

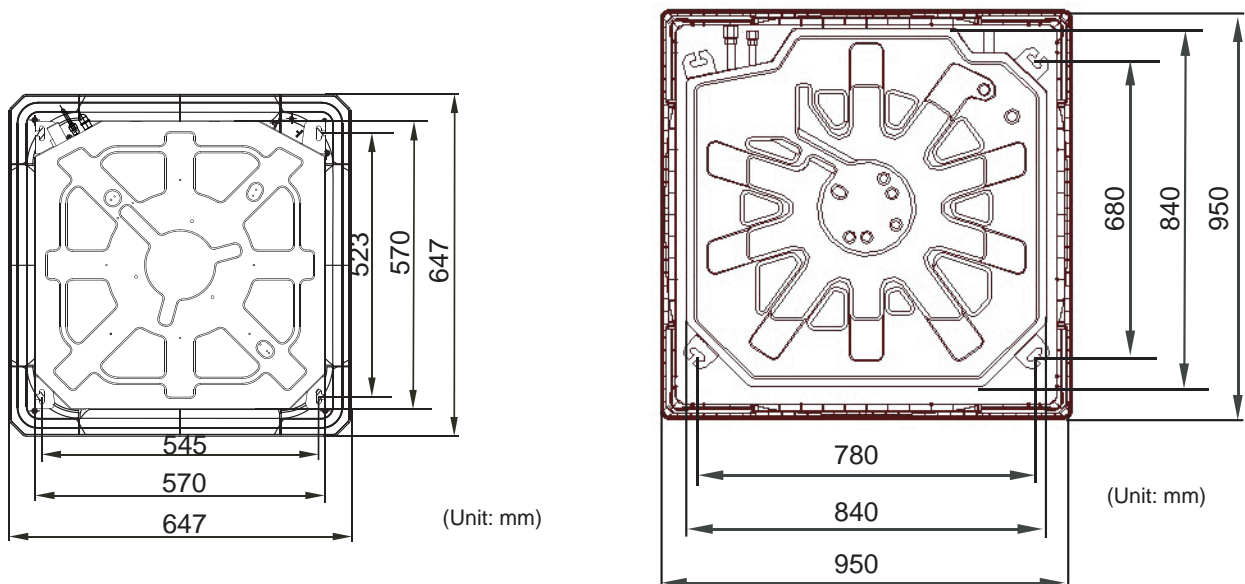


Figure 7

2. La tuyauterie et le câblage devraient être préparés à l'avance dans le plafond lors de la suspension de l'unité.

3. La longueur des boulons de suspension doit être appropriée à la distance entre la partie inférieure du boulon et la partie supérieure de l'unité à plus de 15 mm, ainsi qu'indiqué en figure 8.

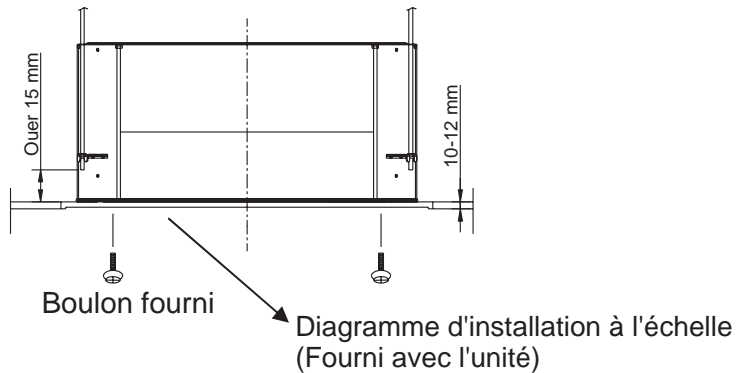


Figure 8

4. Pour prévenir le desserrage des boulons, il est recommandé d'utiliser trois écrous hexagonaux (préparés sur le site) et deux rondelles (accessoire) pour chaque boulon de suspension. Faites attention à utiliser 2 écrous dans la partie inférieure. (Figure 9)
5. Ajustez la distance entre l'unité et le bas du plafond à 10~12 mm. Serrez tous les écrous sur les boulons de suspension (Figure 9)

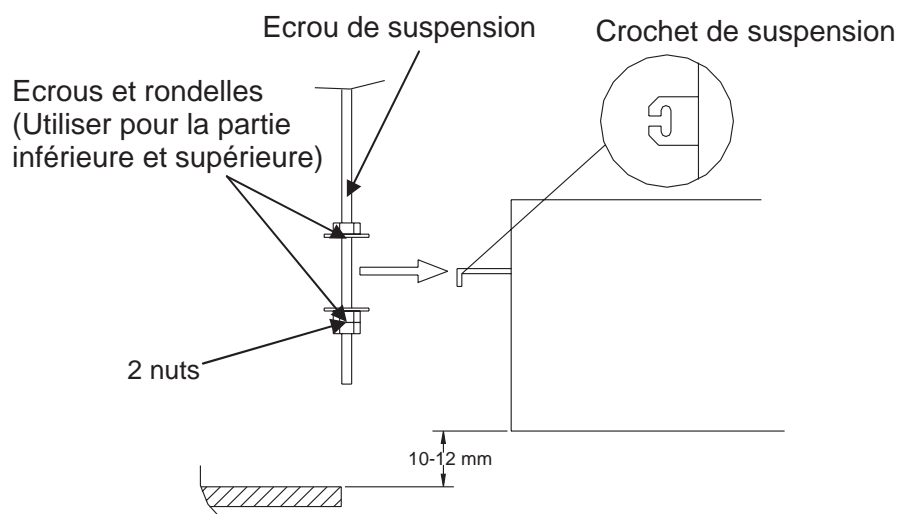


Figure 9



## Installation de conduite

1. Des ouvertures latérales sont fournies pour installer des conduites séparées pour la prise d'air extérieur et pour la distribution de l'air traité dans une pièce adjacente.
2. Utilisez un pointeau pour retirer les ouvertures à pousser de l'enveloppe. Utilisez un couteau pour une ouverture adéquate sur le polystyrène derrière l'enveloppe.  
FAITES ATTENTION à ne pas endommager la bobine de l'échangeur de chaleur située derrière les ouvertures.
3. Remplissez les jeux entre les conduites et l'extrémité ouverte avec de l'isolant anti-condensation.
4. Utilisez un matériau résistant à une température continue de travail de 60. Les conduites doivent être du type flexible à noyau ressort ou en aluminium brut, couvert à l'intérieur d'un matériau isolant (12 à 25 mm d'épaisseur de fibre de verre).
5. Une fois terminée l'installation, toutes les surfaces des conduites non isolées doivent être recouvertes d'isolant anti-condensation (polystyrène expansé de 6 mm d'épaisseur ou néoprène expansé). Classification anti-incendie : M1.

**DES FLUX CONDENSÉS SERONT PRODUITS SI LES INSTRUCTIONS CI-DESSUS NE SONT PAS RESPECTÉES.**

6. La distribution d'air à une pièce adjacente nécessite que les prises d'air du panneau correspondant soient étanchées avec un matériau d'étanchéité (Accessoire)
7. Une grille décorative doit être ajustée dans la partition entre la pièce climatisée (où est installée la cassette) et la pièce adjacente.

### Modèle 12/18:

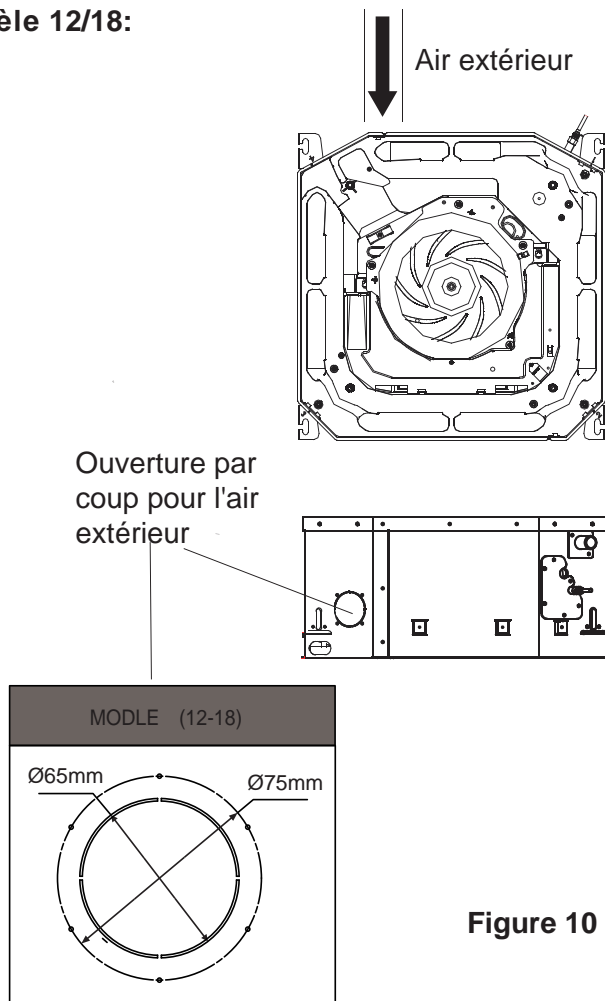


Figure 10

**Modèle 24-60**

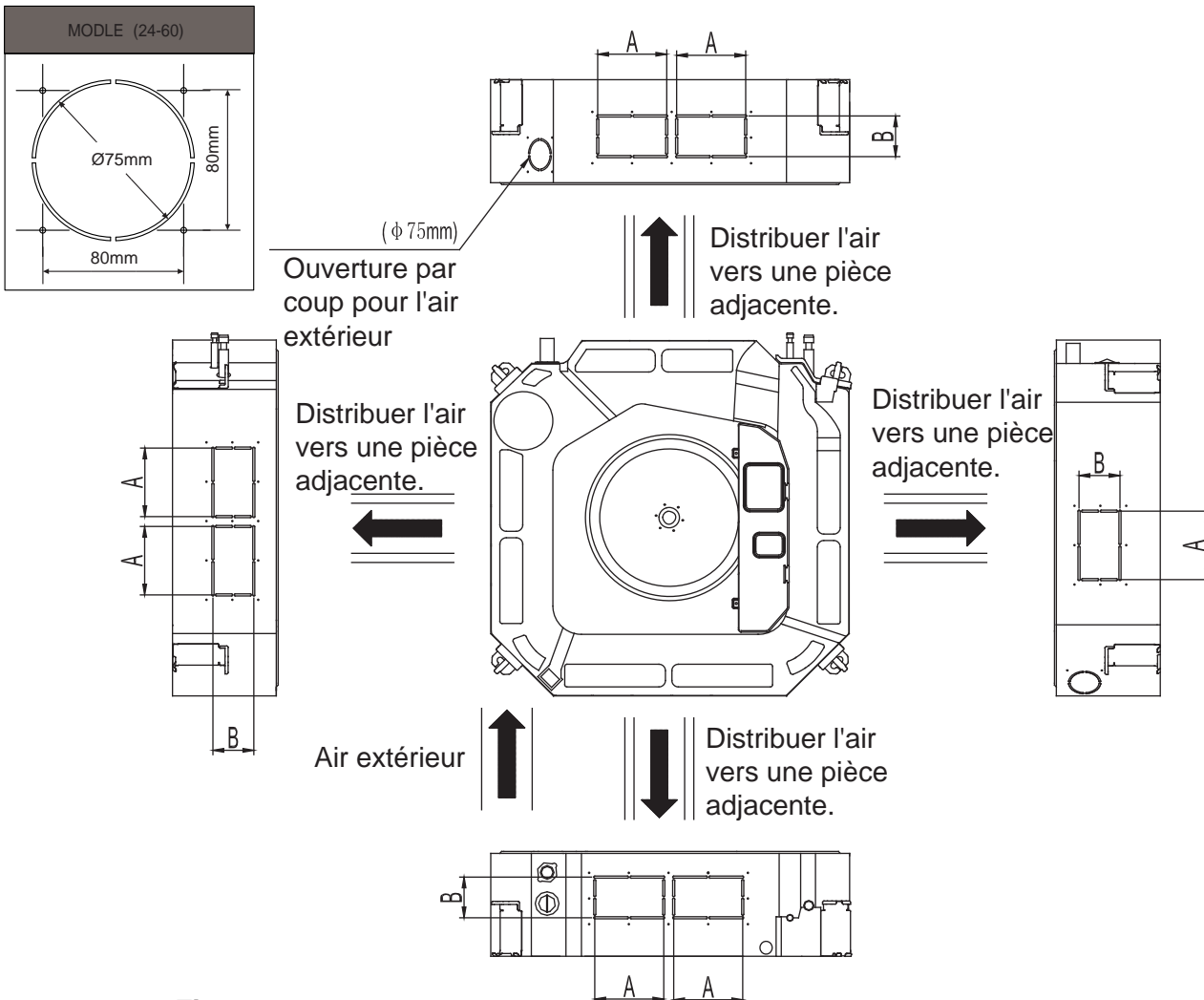


Figure 11



**REMARQUE**

**ON-OFF :** 24: A=160mm; B=75mm ; 30-60: A=160mm; B=95mm  
**INVERTER :** 24-60: A=160mm; B=95mm

## 8. CONNEXION DU TUYAU DE CONDENSATION

### Connexion du tuyau de drainage

1. Utilisez un tuyau standard en PVC rigide pour le tuyau de vidange.
2. Utilisez le tuyau de vidange (drainage) (préparé sur le site) pour changer la direction.
3. Insérez le tuyau de vidange jusqu'à ce qu'il se connecte correctement au port de drainage puis fixez-le de manière sécurisée avec la clame de tuyau (préparé sur le site)(Figure 12)
4. Après avoir vérifié le drainage, enveloppez le tuyau de vidange avec l'isolant et les clames (préparé sur le site). ( Figure.12)

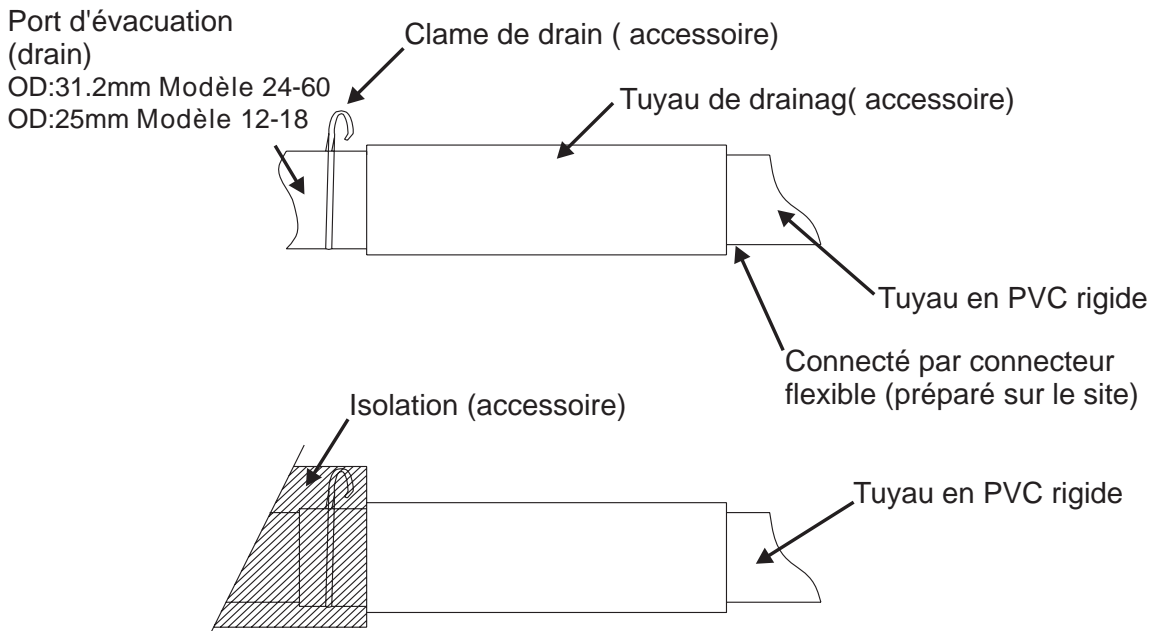


Figure 12

### Attention

1. N'élevez pas le tuyau de vidange (drainage) à plus d'un mètre car cela risquerait de causer des fuites .(Fig.13)
2. Assurez-vous que le tuyau de vidange à une pente vers le bas (pas moins de 1/100) et qu'il n'y pas de rétention d'eau (Figure 13).
3. Pour retenir le tuyau de vidange, espacez un collier tous les 1 m à 1,5 m. (Figure 13)

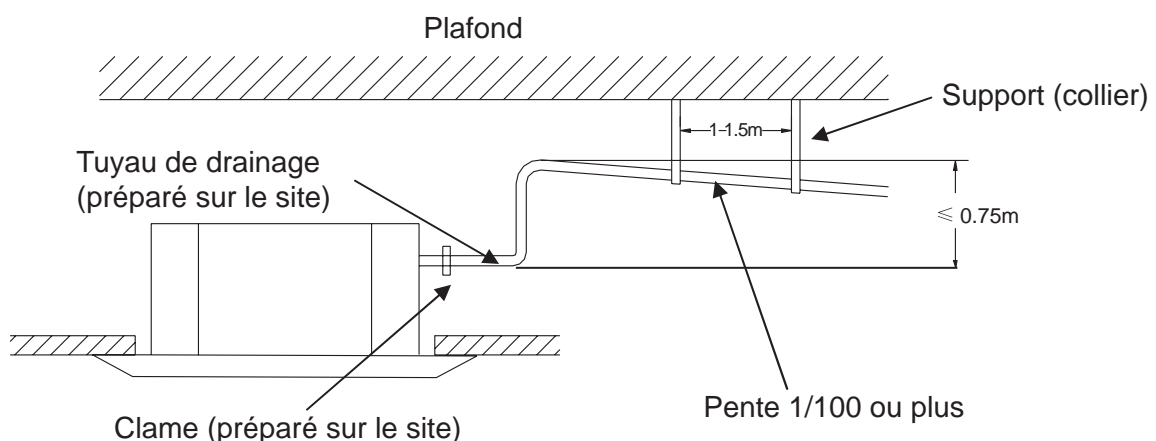


Figure 13

### Vérifier ce qui suit

1. Si cela est nécessaire, préparez un seau et un chiffon pour récupérer et essuyer l'eau évacuée.
2. Connectez l'alimentation en courant AC 220V~240V aux bornes (terminaisons L, N) dans la boîte de connexions électriques.
3. Injectez lentement près de 1000 cc d'eau dans le drainage.(Figure 14)
4. Faites fonctionner l'unité en mode de refroidissement. Vérifiez la vidange (drainage) par le port de drainage transparent afin de détecter une quelconque fuite.
5. Une fois terminée la vérification, n'oubliez pas de couper l'alimentation en courant.

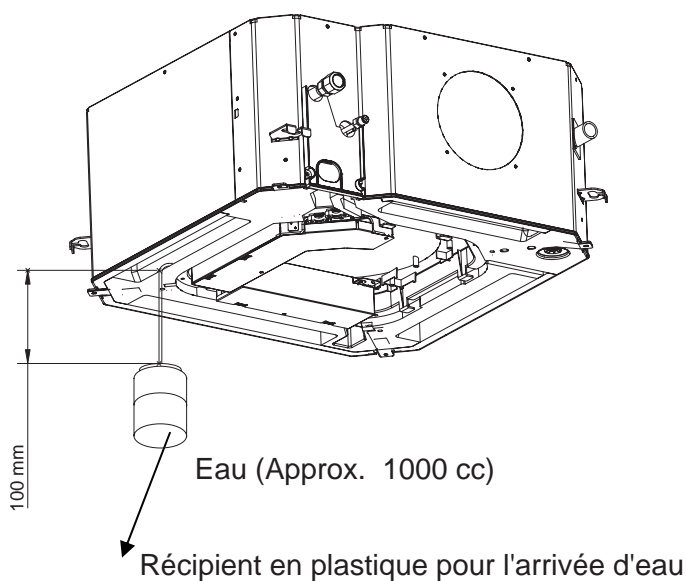


Figure 14

#### **Attention !**

Le ventilateur commencera à fonctionner durant cette opération. Faisant attention à la direction.

### Finissez le travail de drainage

Après avoir vérifié le drainage, assurez-vous que l'isolation enveloppe le tuyau de vidange intérieur pour éviter toute condensation. (Le matériau devrait disposer d'une anti-incendie M1)

## 9. CONNEXION ÉLECTRIQUE ENTRE LES UNITÉS INTÉRIEURES ET EXTÉRIEURE

### Exigences du système électrique

Le câblage et les connexions électriques devraient être effectués par des électriciens qualifiés selon les codes et la réglementation relative à l'électricité. Les unités du climatiseur doivent être mises à la terre

Le climatiseur sera connecté à une prise de courant adéquate sur une ligne séparée du protégée par un coupe-circuit à temporisateur ainsi que spécifié sur la plaque de l'unité.

La tension ne devrait pas varier au-delà de  $\pm 10\%$  de la tension notée.

1. Pour brancher l'unité intérieure à l'unité extérieure, utilisez les câbles électriques suivants (page 16).
2. Préparez les extrémités du câble pour l'alimentation en courant ainsi que pour les câbles entre les unités intérieure et extérieure, ainsi qu'indiqué dans les figures 15a et 15b.
3. Connectez les extrémités du câble aux bornes des unités intérieure et extérieure ainsi qu'indiqué en figure 16.
4. Fixez le câble multifilaire d'alimentation avec les clames de câbles.

**Note :** Le code couleur du fil peut être sélectionné par l'installateur.

#### • Câble d'alimentation en courant

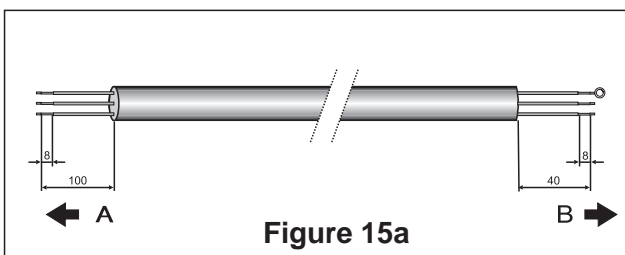


Figure 15a

#### • Câble entre les unités intérieure et extérieure

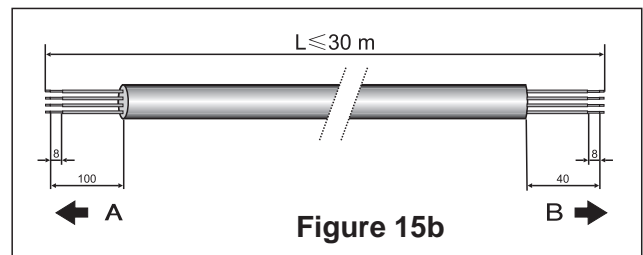


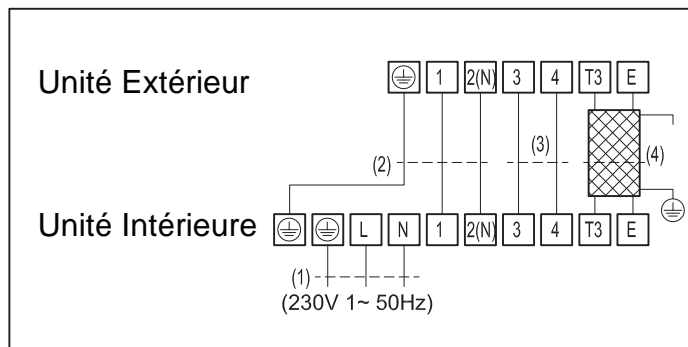
Figure 15b

Figure 15 A. EXTERIEUR B. INTERIEUR

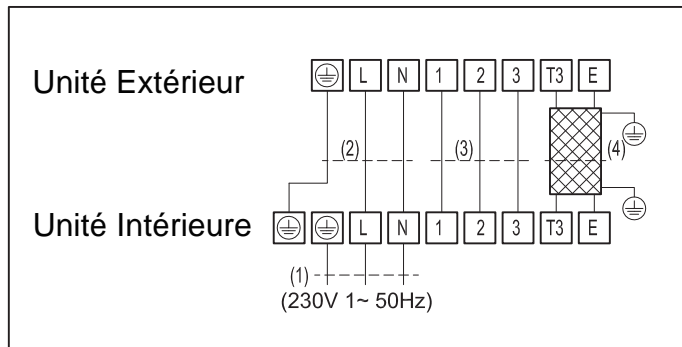
## Procédures de câblage

### ON-OFF TYPE

12/18 KBtu/h

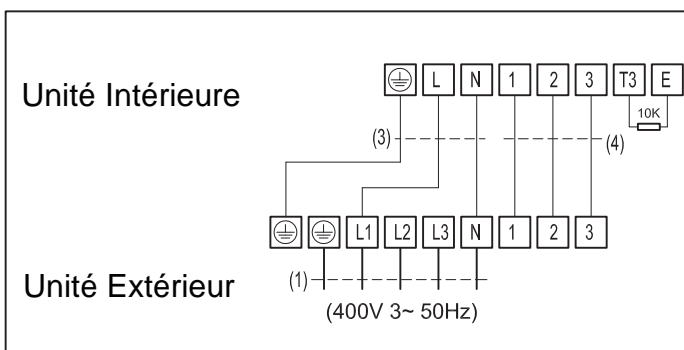


24/30/36 KBtu/h

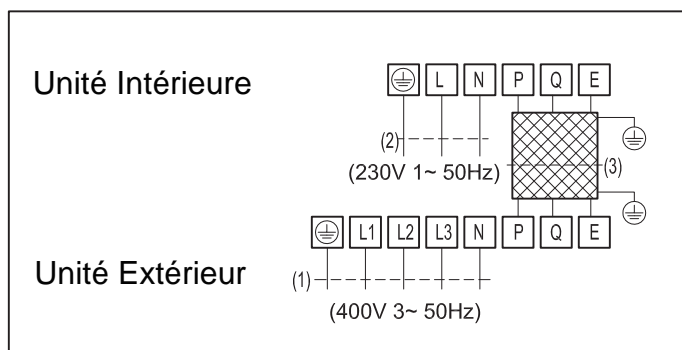


Capacité	12/18K	24K	30K/36K
Côté d'alimentation	Unité Intérieure		
Calibre fusible	16A	25A	30A
1- Câble d'alimentation(IDU)	3 x 1.5mm <sup>2</sup>	3 x 2.5mm <sup>2</sup>	3 x 4.0mm <sup>2</sup>
2- Câble d'interconnexion	3 x 1.5mm <sup>2</sup>	3 x 2.5mm <sup>2</sup>	3 x 4.0mm <sup>2</sup>
3- Câble d'interconnexion	2 x 1.0mm <sup>2</sup>	3 x 1.0mm <sup>2</sup>	3 x 1.0mm <sup>2</sup>
4- Câble d'interconnexion	2 x 0.5mm <sup>2</sup>	2 x 0.5mm <sup>2</sup>	2 x 0.5mm <sup>2</sup>

36 KBtu/h (3Ph)



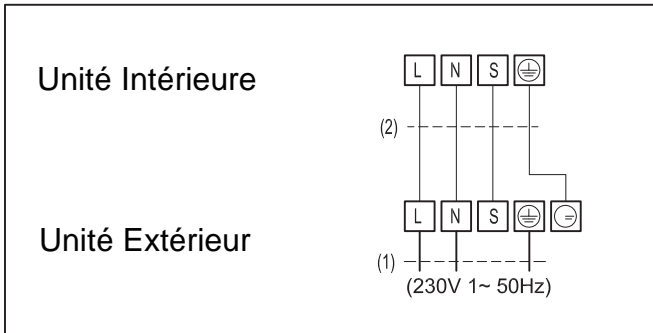
48/60 KBtu/h (3Ph)



Capacité	36K (3Ph)	48K	60K
Côté d'alimentation	Unité Extérieur	Unité Intérieure et Unité Extérieur	
Calibre fusible (ODU/IDU)	20A /-	25A / 16A	25A / 16A
1- Câble d'alimentation (ODU)	5 x 2.5mm <sup>2</sup>	5 x 2.5mm <sup>2</sup>	5 x 2.5mm <sup>2</sup>
2- Câble d'alimentation(IDU)	-	3 x 1.0mm <sup>2</sup>	3 x 1.0mm <sup>2</sup>
3- Câble d'interconnexion	3 x 1.0mm <sup>2</sup>	3 x 0.5mm <sup>2</sup>	3 x 0.5mm <sup>2</sup>
4-Câble d'interconnexion	3 x 1.0mm <sup>2</sup>	-	-

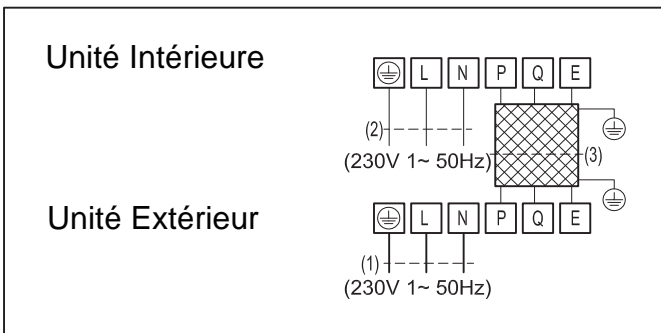
**INVERTER TYPE**

12KBtu/h, 18KBtu/h(Pour multisplits)

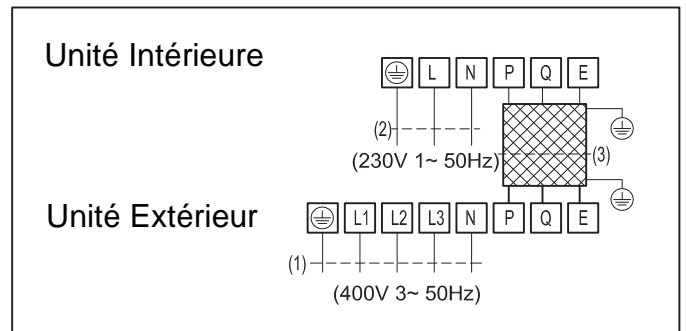


Capacité	12K	18K(Pour multisplits)
Côté d'alimentation	Unité Extérieure	Unité Extérieure
Calibre fusible	16A	Unité Extérieure
1-Câble d'alimentation(ODU)	3 x 2.5mm <sup>2</sup>	Unité Extérieure
2- Câble d'interconnexion	4 x 1.0mm <sup>2</sup>	4 x 1.0mm <sup>2</sup>

18/24/30/36 KBtu/h



36/48/60 KBtu/h (3Ph)



Capacité	18k	24k	30k	36k
Côté d'alimentation	Unité Intérieure et Unité Extérieure			
Calibre fusible (ODU/IDU)	16A / 10A	20A / 10A	30A / 10A	30A / 10A
1- Câble d'alimentation(ODU)	3 x 2.5mm <sup>2</sup>	3 x 2.5mm <sup>2</sup>	5 x 2.5mm <sup>2</sup>	5 x 4.0mm <sup>2</sup>
2- Câble d'alimentation(IDU)	3 x 1.0mm <sup>2</sup>	3 x 1.0mm <sup>2</sup>	3 x 1.0mm <sup>2</sup>	3 x 1.0mm <sup>2</sup>
3- Câble d'interconnexion	3 x 0.5mm <sup>2</sup>	3 x 0.5mm <sup>2</sup>	3 x 0.5mm <sup>2</sup>	3 x 0.5mm <sup>2</sup>

Capacité	36k(3Ph)	48K	60K
Côté d'alimentation	Unité Intérieure et Unité Extérieure		
Calibre fusible (ODU/IDU)	20A / 10A	25A / 10A	25A / 10A
1- Câble d'alimentation(ODU)	5 x 2.5mm <sup>2</sup>	5 x 2.5mm <sup>2</sup>	5 x 2.5mm <sup>2</sup>
2- Câble d'alimentation(IDU)	3 x 1.0mm <sup>2</sup>	3 x 1.0mm <sup>2</sup>	3 x 1.0mm <sup>2</sup>
3- Câble d'interconnexion	3 x 0.5mm <sup>2</sup>	2 x 0.5mm <sup>2</sup>	2 x 0.5mm <sup>2</sup>

## 10. TUYAUTERIE DE RÉFRIGÉRANT

### Connecter l'unité intérieure à l'unité extérieure

L'unité intérieure contient une petite quantité de nitrogène. Ne dévissez pas les écrous de l'unité car elle est fournie avec une charge de réfrigérant suffisante (R410A). Référez-vous à la plaque de l'unité extérieure.

Pliez les tubes avec une cintreuse pour éviter l'écrasement.

NOTE : N'utilisez que la tuyauterie en cuivre de type réfrigérant R410A.

1. Ouvrez le couvercle de la valve.
2. Utilisez un diamètre de tube correspondant aux diamètres de tube des unités intérieure et extérieure. Notez que les tubes de succion et de liquide ont des diamètres différents. (Veuillez consulter les tables Taille de tube, Couple de serrage.)
3. Placez les écrous alésés sur les extrémités des tubes avant de préparer ces derniers avec un alésoir. Utilisez les écrous alésés montés sur les unités extérieures et intérieures fournies.
4. Connectez les extrémités du câble aux bornes des unités intérieure et extérieure. Notez le signe. Toutes les extrémités devraient correspondre l'une à l'autre.
5. Isolez séparément chaque tube et leurs unions avec une isolation d'au-moins 6 mm d'épaisseur. Enveloppez la tuyauterie de réfrigérant, le tuyau de vidange (drainage) et les câbles électriques avec une bande vinyle (protégée contre les UV).

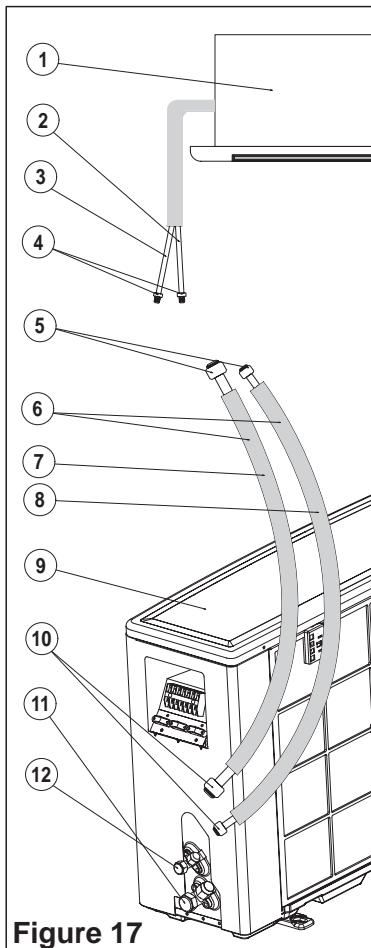


Figure 17

#### Attention !

Lorsque vous dévissez les bouchons de valves, ne vous tenez pas devant eux ou devant les becs de sortie, à aucun moment, car le système est sous pression.

#### Figure.17

1. Unité intérieure
2. Tube de liquide (petit diamètre)
3. Tube de succion (diamètre large)
4. Fiches
5. Ecrous alésés
6. Tuyauterie entre les unités
7. Tube de succion
8. Tube de liquide
9. Unité extérieure
10. Ecrous alésés
11. Valve de succion (large)
12. Valve de liquide (petite)

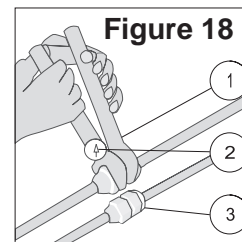


Figure 18

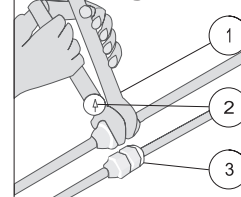


Figure.18

1. Clef
2. Clef à couple
3. Union

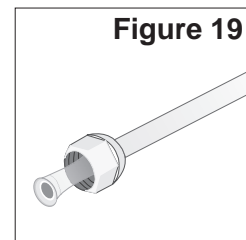


Figure 19

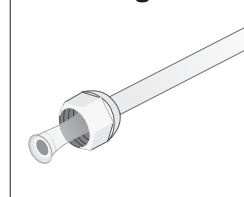


Figure.19

Recouvrez la surface alésée d'huile de réfrigération pour éviter la fuite de réfrigérant.

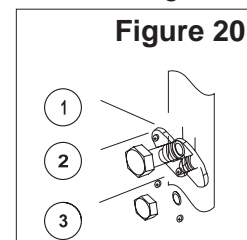


Figure 20

Figure.20

1. Valve de succion
2. Port de service
3. Valve de liquide
4. Union

Serrage des couples d'union et des bouchons de valves :

TAILLE DU TUBE	COUPLE
Ligne de liquide 1/4"	15-20 N.M.
Ligne de succion 3/8"	30-35 N.M
Ligne de succion 1/2"	50-54 N.M.
Ligne de succion 5/8"	75-78 N.M.

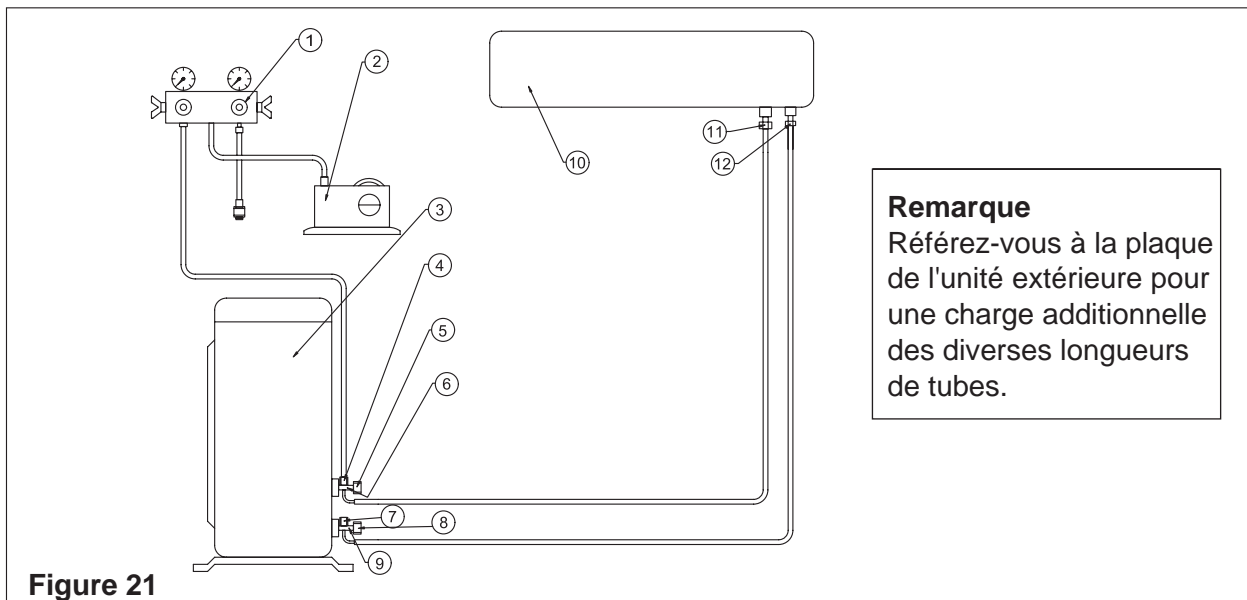


**Faites le vide dans les tubes de réfrigération et dans l'unité intérieure.**

Après la connexion des unions des unités intérieures et extérieures, purgez l'air des tubes et de l'unité intérieure comme suit :

1. Connectez les tuyaux de charge avec une croche à pousser à la partie basse du set de chargement et du port de service de la valve de succion. Assurez-vous de la connexion du tuyau de charge à pression au port de service.
2. Connectez le tuyau central du set de chargement à une pompe à vide.
3. Activez le commutateur de mise en marche de la pompe à vide, désactivez le commutateur de la partie haute et assurez-vous que l'aiguille de la jauge passe de 0 MPa (0 cm Hg) à -0.1MPa (-76cm Hg). Laissez la pompe fonctionner pendant quinze minutes.
4. Fermez les valves des parties haute et basse du set de chargement puis éteignez la pompe à vide. Notez que l'aiguille de la jauge ne devrait plus bouger après près de cinq minutes.
5. Pas de problème pendant cinq minutes, activez le commutateur de mise en marche de la pompe à vide et ouvrez la valve sur la partie basse du set de charge.
6. Débranchez le tuyau de chargement de la pompe à vide et des ports de service de la valve de succion.
7. Serrez les bouchons du port de service de la valve de succion.
8. Répétez les étapes 1 à 7 pour les autres unités intérieures.
9. Retirez les bouchons de toutes les valves puis ouvrez-les avec une clef Allen hexagonale.
10. Remontez les bouchons sur toutes les valves.
11. Recherchez des fuites de gaz dans toutes les connexions.

Testez avec un détecteur de fuites ou avec une éponge trempée dans de l'eau savonneuse pour voir s'il se produit des bulles.



**Figure 21**

- |                      |                         |  |
|----------------------|-------------------------|--|
| 1. Set de chargement | 5. Bouchon              | 9. Valve de liquide                      |
| 2. Pompe à vide      | 6. Valve de succion     | 10. Unité intérieure                     |
| 3. Unité extérieure  | 7. Port de service *    | 11. Connexion alésée de la succion       |
| 4. Port de service   | 8. point d'accès client | 12. Connexion alésée de la ligne Liquide |
- \* Seulement sur certains modèles

## 11. INSTALLATION DU PANNEAU

### Retrait de la grille :

1. Poussez simultanément les deux commutateurs de grille dans la direction et tirez-les ensuite vers le haut. (Fig.22)
2. Soulevez la grille jusqu'à former un angle d'environ 45°, puis retirez-la. (fig.23)

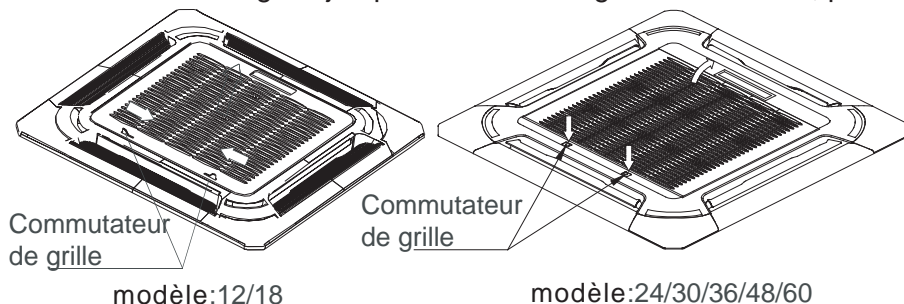


Fig.22

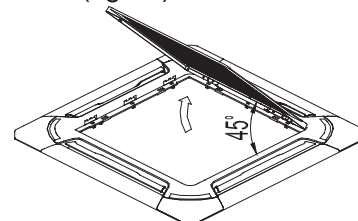
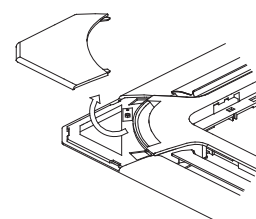


Fig.23

### Retirez les caches-angles (pour le modèle 24-60)

Desserrez les boulons à l'aide d'une clé, desserrez la corde des couvercles de montage et enlevez-les. (fig.24)

Fig.24



### Installation du panneau

#### Pour le modèle 12-18 :

1. Alignez correctement le moteur de rotation sur le panneau aux joints des tubes du corps. (fig.25)
2. Accrochez les quatre cordes fixes du corps principal sur le couvercle de montage et les trois autres couvercles du moteur de rotation. (fig.25)
3. Installez le panneau sur le corps principal avec la rondelle et le boulon (M5 x 16).
4. Ajustez les 4 boulons pour maintenir le panneau horizontal, fermez les boulons jusqu'à ce que l'épaisseur de l'éponge entre le corps et le panneau soit réduite à environ 4 ~ 6mm. (fig.27)

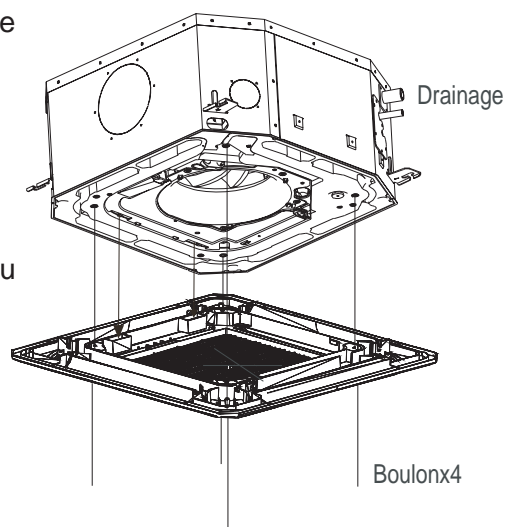


Fig.25

#### Pour le modèle 24-60 :

1. Alignez correctement le moteur de rotation sur le panneau aux joints des tubes du corps. (fig.26)
  2. Fixez les crochets du panneau au moteur de rotation et son côté opposé aux crochets du récepteur d'eau correspondant. (fig.26-1)
  3. Accrochez les deux autres crochets du panneau sur les supports correspondants du corps. (fig.26-2)
  4. Réglez les quatre vis du crochet du panneau pour maintenir le panneau horizontal et vissez-les jusqu'au plafond uniformément. (fig.26-3)
  5. Ajustez le panneau dans le sens de la flèche fig. 26-4 légèrement pour adapter le centre du panneau au centre de l'ouverture du plafond.
- Assurez-vous que les crochets des quatre coins sont bien fixés.
6. Fermez les boulons sous les crochets du panneau, jusqu'à ce que l'épaisseur de l'éponge entre le corps et le panneau soit réduite à environ 4 ~ 6mm. (fig.27)

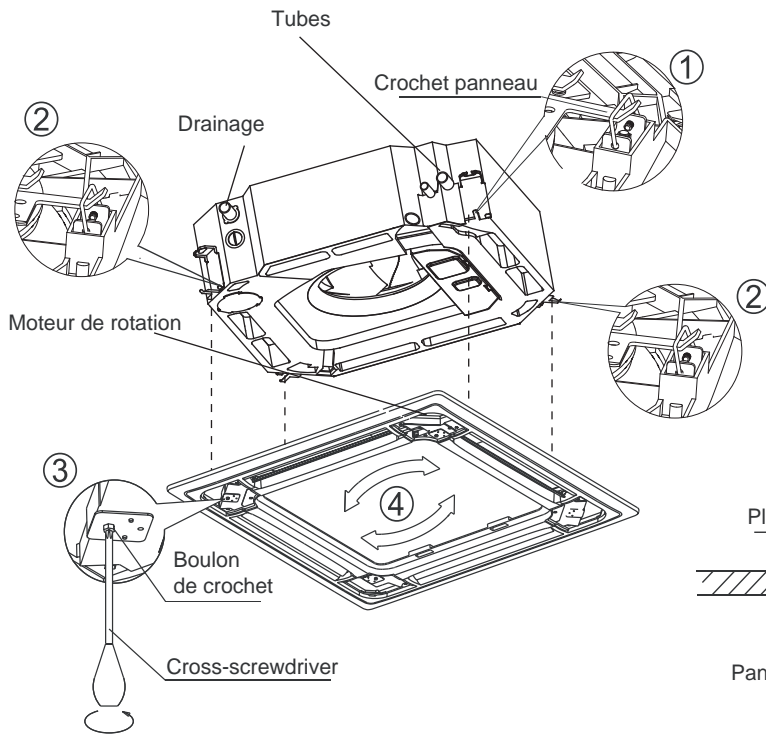


Fig.26

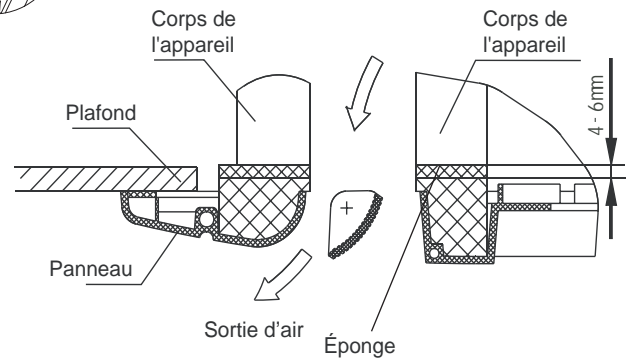


Fig.27

### Repositionnez la grille

1. Accrochez la grille au panneau et puis raccordez le câble du moteur de rotation et affichez les connecteurs correspondants du corps de l'appareil.
2. Repositionnez la grille d'air en suivant la procédure dans l'ordre inverse.

### Repositionnez le cache-angle

1. Attachez la corde du cache-angle sur la vis du cache-angle. (fig.28)
2. Appuyez légèrement sur le couvercle dans le panneau. (fig.28)

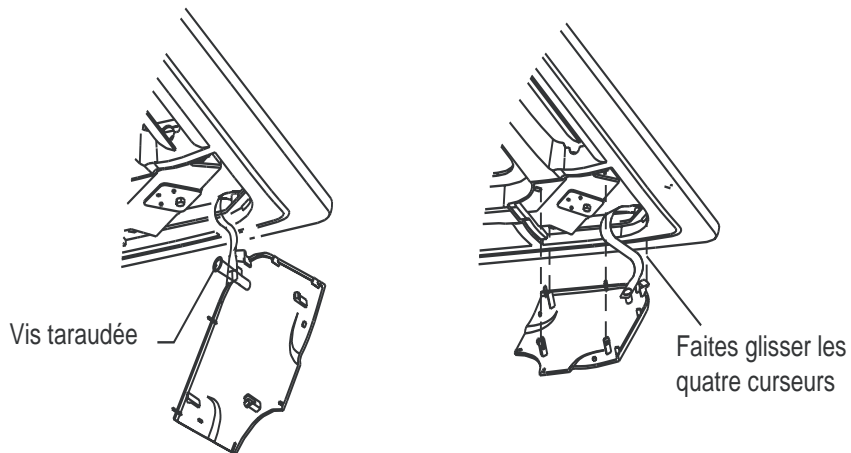


Fig.28

## 12. TÂCHES FINALES

1. Vérifiez tous les bouchons de valves et assurez-vous qu'ils sont correctement serrés. Fermez le couvercle de la valve.
2. Remplissez au joint les jeux sur le mur entre les trous latéraux et la tuyauterie.
3. Fixez le câblage et la tuyauterie au mur avec les clames, là où ce sera nécessaire.
4. Faites fonctionner l'unité au moins cinq minutes en modes Chauffage ou Refroidissement.
5. Expliquez le retrait de filtre, le nettoyage et l'installation.
6. Faites fonctionner le climatiseur devant le client et expliquez toutes les fonctions.
7. Remettez les manuels d'opération et d'installation au client.

# ACONDICIONADOR DE AIRE TIPO CASSETTE



ESPAÑOL

**Español**

Unidad Interior Tipo Cassette

Número

CE

# Contenido

1. HERRAMIENTAS PARA EL TRABAJO DE INSTALACIÓN.....	2
2. MEDIDAS DE SEGURIDAD.....	2
3. HERRAMIENTAS DE INSTALACIÓN/SERVICIO (para el producto R410a solamente).	4
4. ACCESORIOS.....	5
5. ACCESORIOS OPCIONALES.....	6
6. UBICACIÓN DE LAS UNIDADES INTERIOR Y EXTERIOR.....	6
7. INSTALACIÓN DE LA UNIDAD INTERIOR.....	9
8. CONEXIÓN DE MANGUERA DE CONDENSACIÓN.....	14
9. CONEXIÓN ELECTRICA ENTRE UNIDADES INTERIOR Y EXTERIOR.....	16
10. TUBERÍAS REFRIGERANTES.....	19
11. INSTALACION DE PANELES.....	21
12. TAREAS FINALES.....	23

No deberá instalarse el aparato en un lavadero

**Nota:**

Este manual es para aplicaciones monosplit.

Para aplicaciones multisplit, utilice el manual de instalación provisto dentro del paquete de la unidad exterior.

**El presente manual podrá ser modificado en cualquier momento**

## 1. HERRAMIENTAS PARA EL TRABAJO DE INSTALACIÓN

- |  |                      |                                       |
|--|----------------------|---------------------------------------|
| 1. Destornillador  | 7. Cuchilla          | 13. Llave dinamométrica               |
| 2. Taladro eléctrico, taladro de tubo( $\varnothing$ 60mm) | 8. Detector fuga gas | 18 N • m (1.8 kgf.m)                  |
| 3. Llave de tuercas hex.                                   | 9. Cinta de medir    | 35 N • m (3.5 kgf.m)                  |
| 4. Llave de tuercas  | 10. Termómetro       | 55 N • m (5.5 kgf.m)                  |
| 5. Cortadora de tubos                                      | 11. Megámetro        | 14. Bomba de vacío                    |
| 6. Escariador  | 12. Multímetro       | 15. Múltiple de medidor (para R-410A) |

## 2. MEDIDAS DE SEGURIDAD

- Las instalaciones tienen que ser realizadas conformemente a las reglas y las normas nacionales eléctricas de construcción y de la seguridad.
- Antes de instalar, lea detenidamente las siguientes “MEDIDAS DE SEGURIDAD”.
- La parte eléctrica debe ser instalada por un electricista autorizado. Asegúrese de utilizar el régimen correcto para el circuito principal del modelo que se debe instalar.
- Las precauciones aquí indicadas son importantes y deben seguirse porque están relacionadas con la seguridad. El significado que cada indicación tiene se detalla más abajo. La instalación incorrecta por no seguir las instrucciones puede causar lesiones o daños, y la gravedad de éstos se clasifica mediante las siguientes indicaciones.
- Realice una prueba de funcionamiento para confirmar que no se producirá anomalía alguna después de instalación. A continuación, explique al usuario cómo operar, cuidar y mantener el sistema de acuerdo con las instrucciones. Recuerde al cliente que ponga las instrucciones a buen recaudo para referencia futura.

### ADVERTENCIA

- 1) El instalador debe ser calificado y seguir estrictamente estas instrucciones. De lo contrario, pueden producirse choque eléctrico, escape de agua o problemas estéticos.
- 2) La instalación debe hacerse en un lugar firme y resistente, capaz de soportar el peso del aparato. Si la ubicación no suficientemente resistente o la instalación no se realiza correctamente, el aparato puede caerse y causar lesiones.
- 3) Para realizar el trabajo eléctrico, respete las normas y reglamentos de cableado locales y estas instrucciones de instalación. Si la capacidad del circuito eléctrico no es suficiente o el trabajo eléctrico es defectuoso, se puede producir choque eléctrico o incendio.
- 4) Utilice el cable indicado y sujete firmemente la conexión interior/exterior. Conecte y sujete firme-mente el cable para evitar que fuerzas externas puedan actuar sobre el terminal. Si la conexión o sujeción no es correcta, se puede producir calentamiento o incendio en la misma.
- 5) La disposición de la ruta de conexiones debe ser adecuada para permitir la fijación correcta de la cubierta del panel de control. De otro modo, se puede producir calentamiento en el punto de conexión del terminal, incendio o choque eléctrico.
- 6) Al conectar la tubería, sólo permita la entrada del refrigerante especificado en el ciclo de refrigeración. Otras sustancias pueden causar una reducción de la capacidad, alta presión anormal en el ciclo de refrigeración, explosiones y lesiones.
- 7) No utilice cable de energía eléctrica dañado o de tipo no especificado. Su uso puede producir incendio o choque eléctrico.
- 8) No modifique la longitud del cable eléctrico ni use el cable de extensión, ni comparta la toma única con otros aparatos eléctricos. De otro modo, se puede producir incendio o choque eléctrico.
- 9) Este equipo debe conectarse a tierra. Una conexión a tierra incorrecta puede producir choque eléctrico.

- 10) NO INSTALE la unidad: Instalando la unidad en los lugares descritos, existe riesgo de que la unidad se prenda fuego
  - a) En lugares en donde pueda haber pérdidas de gases o líquidos y aceites inflamables o en donde pueda haber vapores de sustancias inflamables en el aire.
  - b) Sobre hornos u hornallas especialmente en las cocinas
  - c) Cerca de elementos calientes en donde la unidad pueda quedar expuesta a altas temperaturas
- 11) Instale la tubería de drenaje del modo indicado en las instrucciones de instalación. Si el drenaje no es correcto, puede entrar agua en la habitación y dañar los muebles.
- 12) Para equipos con calentadores adicionales, la distancia mínima desde el equipo al combustible debe ser de 50 cm., de lo contrario, podría causar un incendio.

## **ATENCIÓN**

- 1) Selección del lugar de instalación.  
Seleccione un lugar lo suficientemente resistente y fuerte para soportar o sostener la unidad y que permita un mantenimiento cómodo.
- 2) Conexión de la fuente de energía al acondicionador de aire de la habitación.  
Conecte el cable de energía del acondicionador de aire de la habitación a la red eléctrica utilizando uno de los siguientes métodos:  
La toma de energía debe estar en un lugar de fácil acceso para permitir la rápida desconexión en caso de emergencia.  
En algunos países, está prohibida la conexión permanente del acondicionador de aire a la fuente de energía.
- 3) Evite el escape de refrigerante.  
Evite el escape de refrigerante durante la instalación y reinstalación de la tubería y reparación de componentes de la unidad. Tenga cuidado con el refrigerante líquido, puede producir quemaduras.
- 4) Instalación. Para la instalación se requieren dos personas.
- 5) No instale esta unidad en el lavadero o en lugares donde puede haber escapes de agua del cielorraso o de otros puntos.
- 6) La temperatura del circuito refrigerante será alta, por favor mantener el cable de interconexión alejado del tubo de cobre.



### 3. HERRAMIENTAS DE INSTALACIÓN / SERVICIO (para el producto R410a solamente)

#### PRECAUCIÓN

#### Utilización del nuevo refrigerante para acondicionadores de aire






ESTE ACONDICIONADOR DE AIRE ADOPTA EL NUEVO REFRIGERANTE HFC (R410A) QUE NO DESTRUYE LA CAPA DE OZONO. Impurezas como agua, membranas oxidantes y aceites pueden afectar el refrigerante R410A porque la presión efectiva del refrigerante R410A es aproximadamente 1.6 mayor que la del refrigerante R22. Además de adoptar el nuevo refrigerante, se utiliza un nuevo aceite para el motor de refrigeración. Por lo tanto, asegúrese durante la instalación que no penetre agua, polvo, refrigerante del tipo anterior o aceite de motor de refrigeración en el nuevo tipo de refrigerante R410A del circuito del acondicionador de aire. Para impedir la mezcla de refrigerante o de aceite del motor de refrigeración, los tamaños de las secciones de unión de la abertura de carga en la unidad principal y en las herramientas de instalación son distintos de los utilizados en las unidades de refrigeración convencionales. Por consiguiente, se requieren herramientas especiales para las unidades que utilizan el nuevo refrigerante (R410A). Para conectar tuberías utilice materiales para tubería nuevos y limpios con accesorios para alta presión especiales para R410A, para impedir la penetración de agua y polvo. Además, no use las tuberías existentes porque puede haber problemas con accesorios de presión y posibles impurezas.

#### Cambios en el producto y en los componentes



En las unidades que utilizan R410A, para evitar la carga accidental de otro tipo de refrigerante, se ha cambiado (1/2 UNF 20 filete por pulgada) el tamaño del diámetro de la abertura de servicio de la válvula de control (válvula de 3 pasos) de la unidad exterior.

- Para aumentar la resistencia a la presión de la tubería del refrigerante, se han cambiado los tamaños del diámetro abocardado de procesamiento y de las tuercas de mariposa opuestas (para tuberías de cobre con dimensiones nominales de 1/2 y de 5/8).

#### Nuevas herramientas para R410A




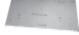





Herramientas nuevas para R410A	Aplicable al modelo R22	Cambios
Múltiple de medidor	×	 Como la presión efectiva es alta, no es posible medirla con medidores convencionales. Para evitar la carga de otros refrigerantes, se han cambiado los diámetros de las aberturas.
Manguera de carga	×	 Para aumentar la resistencia a la presión, se ha cambiado el material de las mangueras y los tamaños de las aberturas (a 1/2 UNF 20 filetes por pulgada). Al adquirir una manguera de carga, asegúrese de verificar el tamaño de la abertura.
Balanza electrónica para la carga de refrigerante	○	 Como la presión efectiva y la velocidad de gasificación son altas, es difícil leer el valor indicado en el cilindro de carga porque se producen burbujas de aire.
Llave dinamométrica (diámetro nominal de 1/2 y de 5/8)	×	 Se ha aumentado el tamaño de las tuercas de mariposa opuestas. Nota: se usa una llave común para los diámetros nominales de 1/4 y de 3/8.
Herramienta para abocardar (tipo embrague)	○	 Aumentando el tamaño del orificio receptor de la barra de sujeción, se ha aumentado la resistencia del muelle en la herramienta.
Medidor para el ajuste de salientes	—	Se utiliza cuando el abocardado se hace utilizando la herramienta de abocardado convencional.

## Unidad Interior Tipo Cassette

Adaptador de la bomba de vacío	○		Conectado a la bomba de vacío convencional. El uso de adaptador es necesario para impedir que el aceite de la bomba de vacío retorne a la manguera de carga. El conector de la manguera tiene dos aberturas una para el refrigerante clásico (7/16 UNF 20 filetes por pulgada) y otra para el R410A. Si se mezcla el aceite (mineral) de la bomba de vacío con el R410A, el sedimento resultante puede dañar el equipo.
Detector de fugas de gas	X		Exclusivo para el refrigerante HFC

- Nota: el “cilindro refrigerante” viene con el nombre del refrigerante (R410A) y revestimiento protector de color rosa, especificado en el ARI de los EE.UU. (Código de color ARI: PMS 507)
- La “abertura de carga y empaquetadura del cilindro refrigerante” requiere también 1/2UNF 20 filetes por pulgada que corresponde al tamaño de la abertura de la manguera de carga.

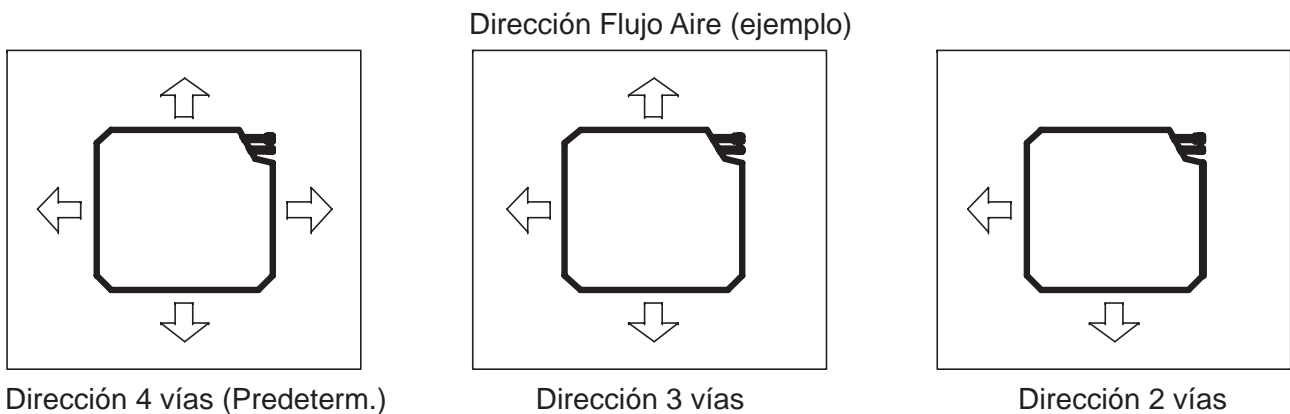
## 4. ACCESORIOS

No.	Accesorio	Cant	No.	Accesorio	Cant
1	Manual 	1	6	Cable potencia de entrada (Opcional) 	1
2	Control remoto con baterías 	1	7	Panel de cartón de instalación (opcional) 	1
3	Soporte control remoto 	1	8	Soporte de la unidad (opcional) 	2
4	Tornillos Arandela Clavijas 	6or4	9	Cable bipolar (opcional) 	1
5	Conector drenaje unidad exterior 	1			

## 5. ACCESORIOS OPCIONALES

## 6. UBICACIÓN DE LAS UNIDADES INTERIOR Y EXTERIOR

Este acondicionador dispone de descarga de aire de 2/3 vías, de acuerdo a la ubicación de la instalación. Utilice material sellante en piezas accesorias para sellar las salidas de aire relacionadas.



### Unidad interior

1. No instale la unidad tipo cassette en una habitación donde se almacenan gases, ácidos o productos inflamables, a fin de impedir daños a los evaporadores de aluminio y cobre y las partes interiores de plástico.
2. No instale la unidad tipo cassette en un taller o cocina. Los vapores de aceite que atrae el aire tratado pueden formar depósitos en los evaporadores de la unidad, modificando así su rendimiento, o dañando las partes plásticas interiores.
3. No instale la unidad tipo cassette en un lavadero ni habitación donde se genera vapor.
4. El aparato debe ser ubicado de manera tal que el enchufe sea de fácil acceso.
5. Para facilitar la instalación de la unidad tipo cassette, podrá utilizarse un montacargas de horquilla. Utilice la base del embalaje colocándola entre la unidad tipo cassette y las horquillas del montacargas.
6. Se recomienda instalar la unidad tipo cassette, en tanto sea posible, en la parte central de la habitación, a fin de optimizar la distribución del aire tratado.
7. Para la ubicación seleccionada, verifique que sea posible retirar las rejillas de distribución y que se disponga de espacio suficiente para fines de mantenimiento y reparación.

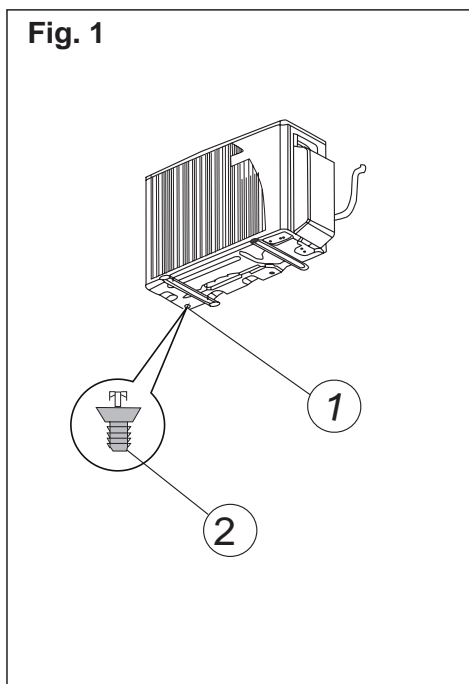
### Unidad exterior

1. Su ubicación deberá posibilitar el service y proveer una correcta circulación de aire, como se muestra en Fig. 4.
2. La unidad puede ser suspendida de una pared mediante un soporte (opcional) o bien colocarse parada en el piso (preferentemente ligeramente elevada).
3. Si la unidad queda suspendida, asegúrese de que el soporte esté firmemente fijado y que la pared sea lo suficientemente fuerte como para soportar las vibraciones.
4. La ubicación de la unidad no deberá perjudicar a la vecindad con ruidos o descargas de aire.
5. Coloque los asientos de montaje bajo las patas de la unidad.
6. Vea distancias de instalación permitidas en Fig. 4.

Cuando la unidad se instala en una pared, coloque la manguera del conector de drenaje y el tapón de drenaje como se indica en Figuras 1 y 2.

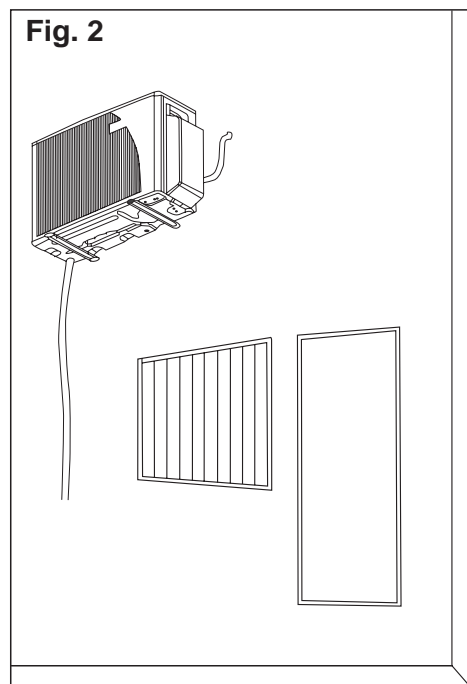
**Fig.1**

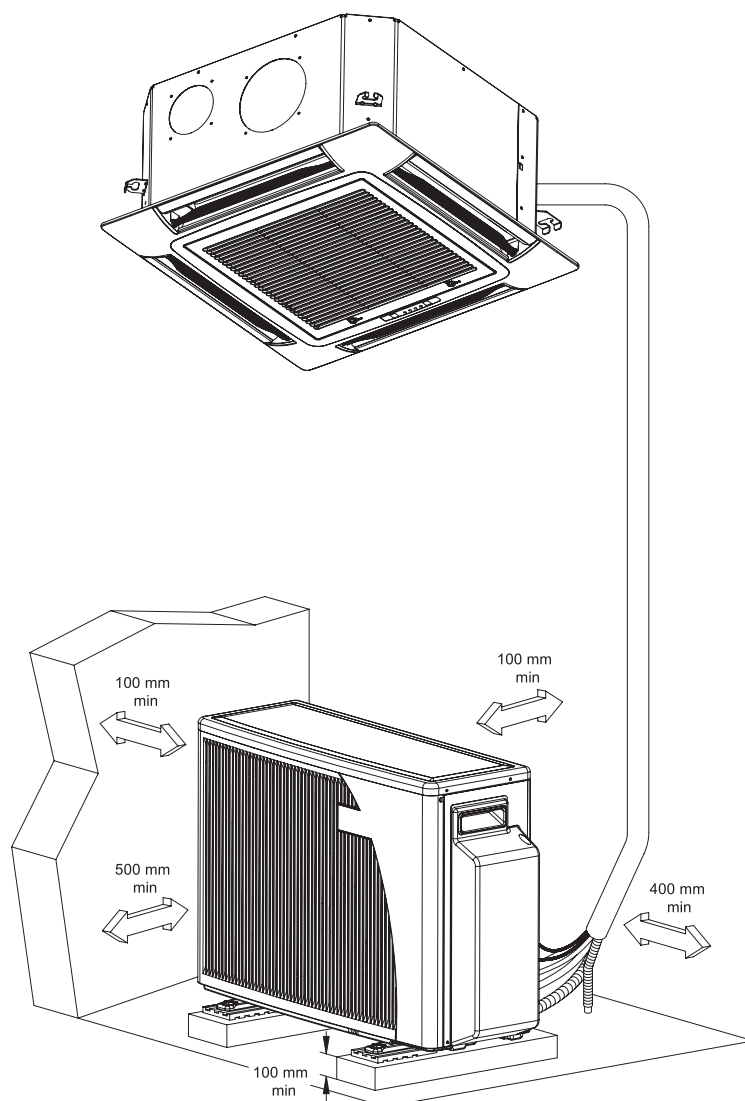
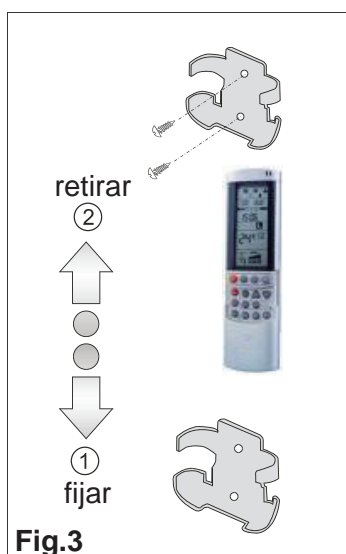
1. Parte inferior de la unidad exterior
2. Conector de drenaje



**Fig.2**

- Instalación del drenaje
- Ejemplo





ESPAÑOL

**MÁXIMA TUBO LONGITUD Y ALTURA (TIPO ON-OFF)**

CAPACIDAD (KBtu/h)	TUBO DE LÍQUIDO - TUBO DE GAS (Inch)	A- L.MÁX. (m)	B - H.MÁX. (m)	LONGITUD DE PRECARGA (m)	ADICIONAL (g/m)
12	1/4"-1/2"	20	10	5	15
18	1/4"-1/2"	25	15	5	15
24	3/8"-5/8"	25	15	5	30
30	3/8"-3/4"	25	15	5	30
36	3/8"-3/4"	30	20	5	30
48/60	3/8"-3/4"	50	25	5	30

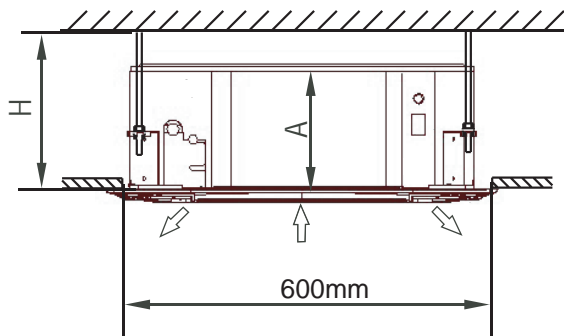
**MÁXIMA TUBO LONGITUD Y ALTURA (TIPO INVERTER)**

CAPACIDAD (KBtu/h)	TUBO DE LÍQUIDO - TUBO DE GAS (Inch)	A- L.MÁX. (m)	B - H.MÁX. (m)	LONGITUD DE PRECARGA (m)	ADICIONAL (g/m)
12	1/4"-3/8"	20	10	5	15
18	1/4"-1/2"	30	20	5	15
24/30	3/8"-5/8"	50	25	5	30
36/48/60	3/8"-5/8"	65	25	5	30

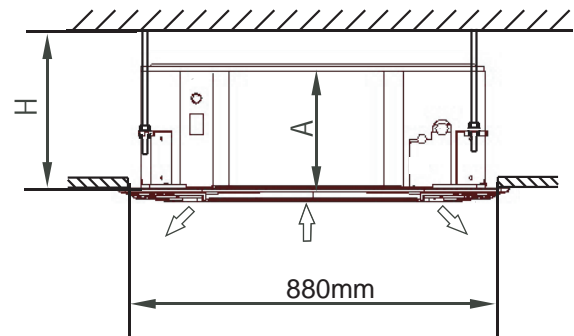
## 7. INSTALACIÓN DE LA UNIDAD INTERIOR

### Tamaño de la abertura en el cielorraso.

1. Caso instalación techo rejilla (60x60 cielorraso estándar):  
Dado que esta unidad es mini cassette, no será necesario efectuar un corte de apertura en el techo; sólo se deberá retirar un panel.
2. Caso de instalación en cielorrasos sólidos:  
Efectúe la apertura requerida para la instalación; a continuación se muestra la relación de la abertura con la unidad y el panel (Fig. 5).

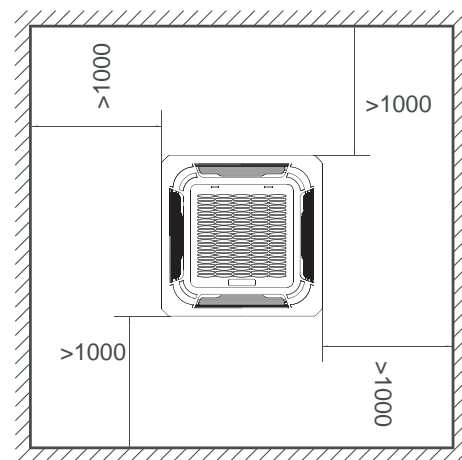
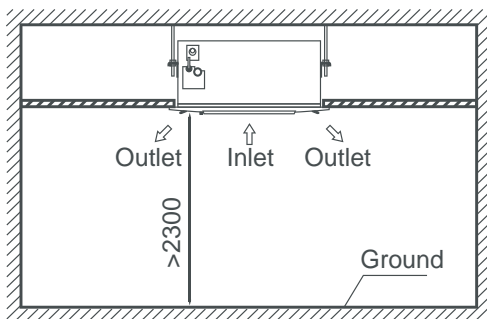


**Modelo 12-18**



**Modelo 24-60**

**Fig. 5**



### ON-OFF

CAPACIDAD (KBtu/h)	A	H
12-18	270mm	>280mm
24	205mm	>235mm
30-48	245mm	>275mm
60	287mm	>317mm

### INVERTER

CAPACIDAD (KBtu/h)	A	H
12-18	270mm	>280mm
24-36	245mm	>275mm
48-60	287mm	>317mm

### Instalación de la Unidad Interior

1. Utilice la plantilla de instalación (provista con el panel) para determinar la posición del bulón de suspensión. En la Fig. 6 y la Fig. 7 se indica la relación de dimensiones.

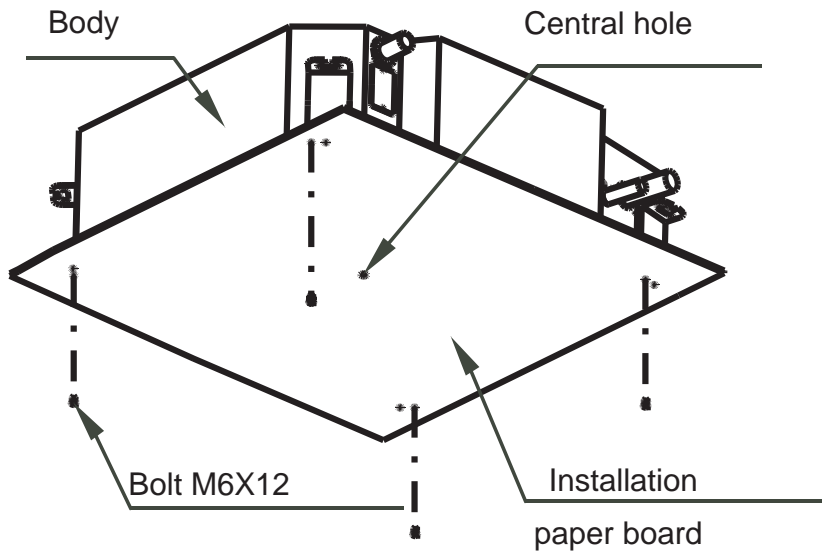


Fig.6

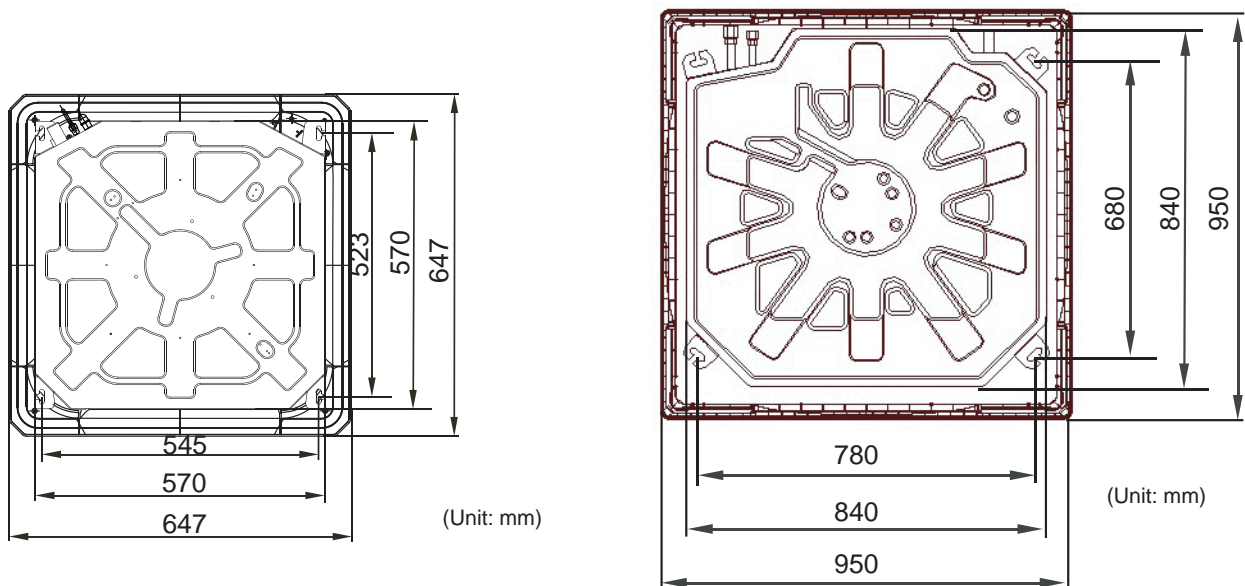
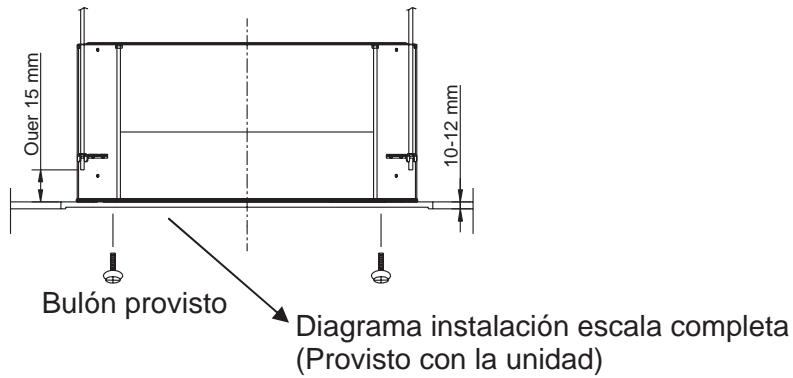


Fig.7

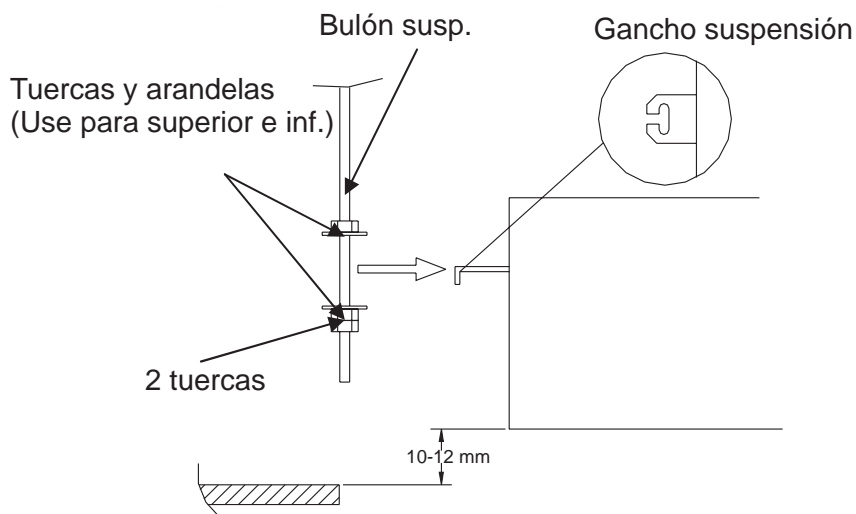
2. Las tuberías y encablado deberán estar preparadas de antemano dentro del techo al suspender la unidad.

3. La longitud de los bulones de suspensión debe ser la correcta para una distancia entre la parte inferior del bulón y la parte inferior de la unidad, de más de 15 mm, como se muestra en Fig. 8.



**Fig.8**

4. A fin de impedir que se afloje, se recomienda utilizar 3 tuercas hexagonales (preparado en el lugar) y 2 arandelas (accesorio) en cada bulón de suspensión. Considere que se utilizarán 2 tuercas en la parte inferior (Fig. 9).
5. Regule la distancia entre la unidad y el techo a 10~12 mm. Ajuste todas las tuercas de los bulones de suspensión (Fig. 9).



**Fig.9**



### Instalación de Conductos

1. Se han provisto aberturas laterales para instalar conductos separados para tomas de aire exterior y distribución de aire tratado a una habitación adyacente.
2. Utilice un punzón para quitar las aberturas rebatibles de la caja. Utilice un cuchillo para efectuar una abertura apropiada en el poliestireno por detrás de la caja.

TENGA CUIDADO de no dañar la serpentina del intercambiador térmico ubicada detrás de las aberturas.

3. Tapone los espacios entre conductos y el borde de apertura con aislación anticondensación.
4. Utilice material que pueda resistir una temperatura de operación continua de 60°. Los conductos pueden ser del tipo flexible con núcleo de resorte o aluminio corrugado, cubiertos en el interior con material aislante (fibra de vidrio de 12 a 25 mm de espesor).
5. Al finalizar la instalación, deberán cubrirse todas las superficies de los conductos no aislados con material aislante anticondensación (poliestireno expandido de 6 mm de espesor, o neopreno expandido). Clasificación de Incombustibilidad: M1.

### DE NO SEGUIRSE LAS INSTRUCCIONES ANTERIORES, SE ACUMULARÁN FLUJOS DE CONDENSADOS.

6. La distribución del aire a una habitación adyacente requerirá del sellado de las salidas de aire de los paneles correspondientes con material de sellado (accesorio).
7. Debe colocarse una rejilla decoradora en la separación entre la habitación con aire acondicionado (donde está instalada la unidad tipo cassette) y la habitación adyacente.

#### Modelo 12/18:

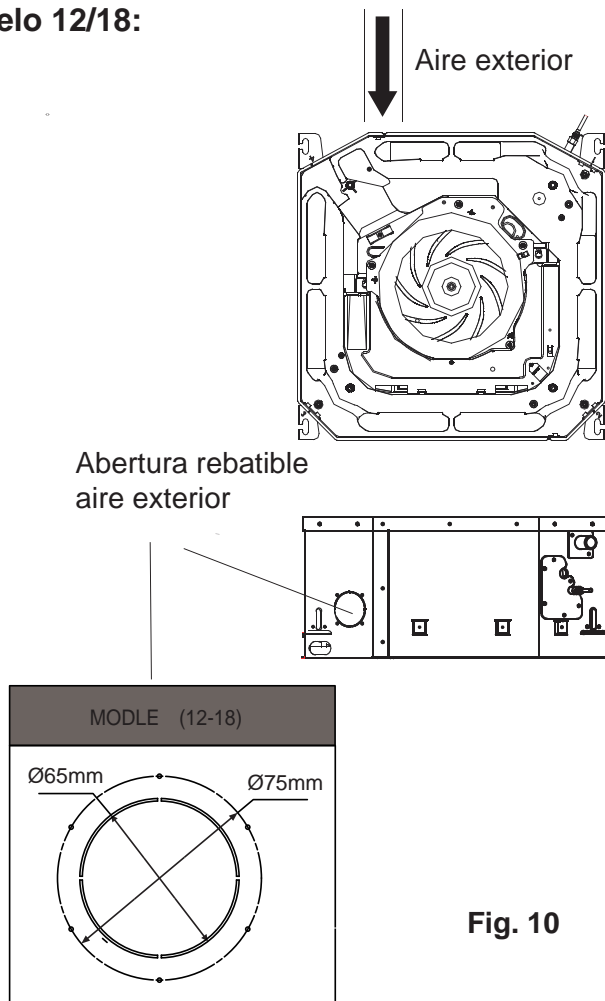


Fig. 10

**Modelo 24~60**

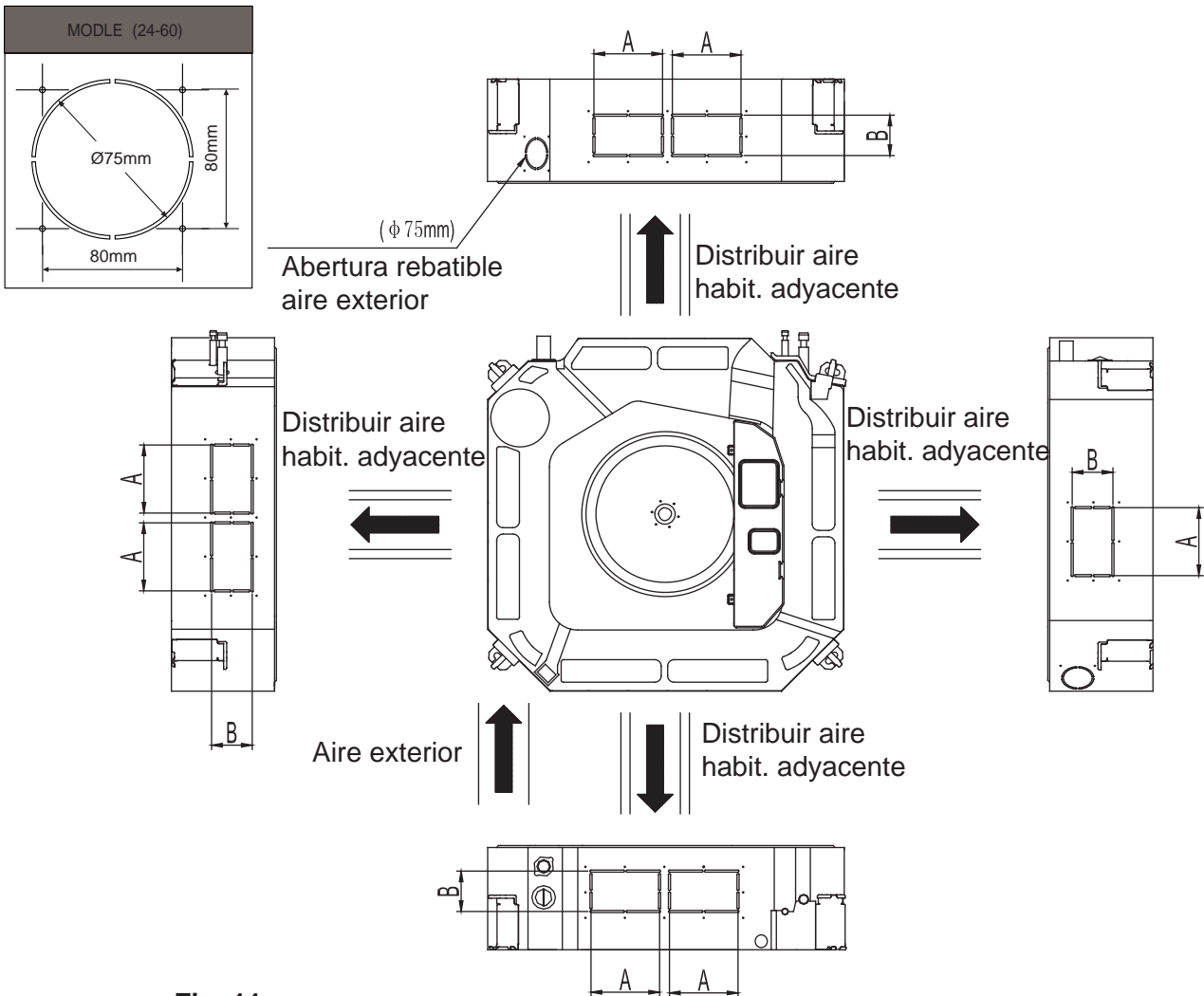


Fig. 11



**NOTA**

**ON-OFF :** 24:  $A=160\text{mm}; B=75\text{mm}$  ; 30-60:  $A=160\text{mm}; B=95\text{mm}$

**INVERTER :** 24-60:  $A=160\text{mm}; B=95\text{mm}$

## 8. CONEXIÓN DE MANGUERA DE CONDENSACIÓN

### Conexión de manguera de drenaje

1. Utilice tubo estándar de PVC rígido para el tubo de drenaje.
2. Utilice la manguera de drenaje (preparado en el lugar) para cambios de dirección.
3. Inserte la manguera de drenaje hasta conectar correctamente a la abertura de drenaje, y luego fíjela firmemente con la abrazadera (preparado en el lugar).(Fig. 12).
4. Después de verificar el drenaje, envuelva la manguera con la aislación y abrazaderas (preparado en el lugar). ( Fig.12)

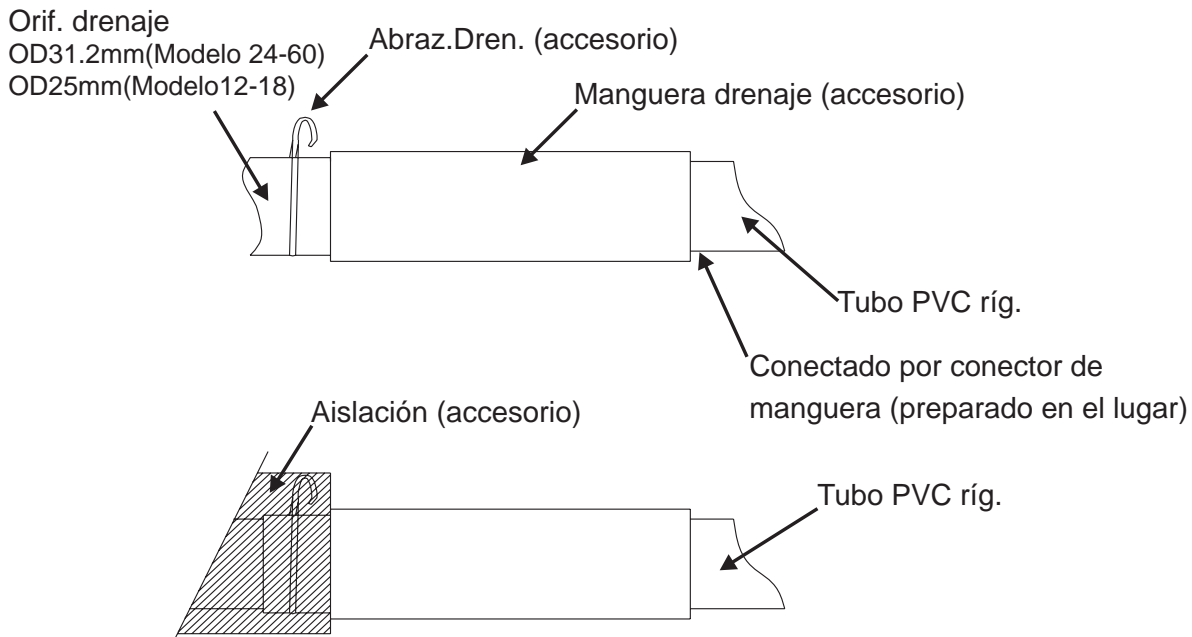


Fig.12

### Precaución

1. No levante el tubo de drenaje a una altura mayor de 0.75m, de lo contrario habrá riesgo de pérdidas de agua (Fig. 13).
2. Asegúrese de que el tubo de drenaje tenga una inclinación hacia abajo no inferior a 1/100, y de que no haya estancamiento de agua (Fig. 13).
3. Para sostener el tubo de drenaje, espacé los soportes cada 1 a 1,5 mm (Fig. 13).

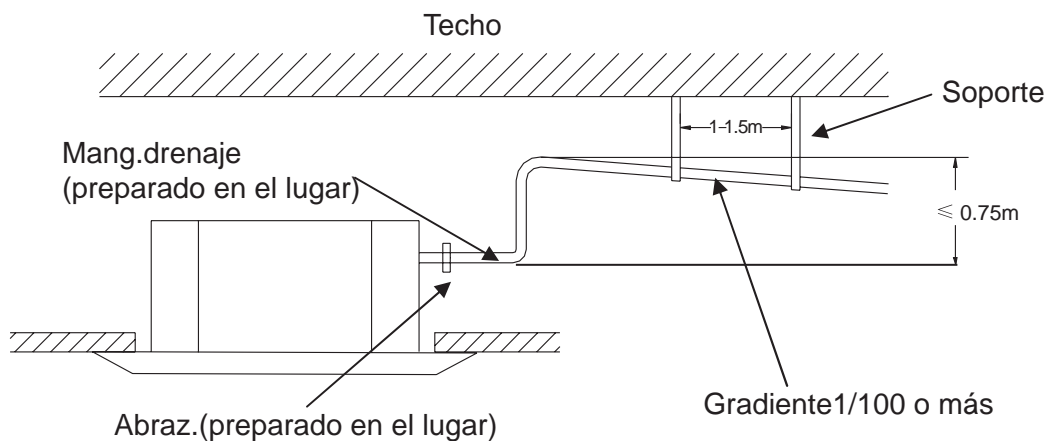


Fig.13

### Verificación de drenaje

1. Después de haber completado el encablado y tubos de drenaje, verifique el drenaje como sigue: De ser necesario, prepare un balde y paño para contener y secar el agua que se derrame.
2. Conecte energía CA de 220V~240V a los terminales de bloque (terminales L, N) dentro de la caja eléctrica.
3. Inyecte lentamente aproximadamente 1000 cc de agua en la bandeja de drenaje.(Fig.14)
4. Haga funcionar la unidad en modo refrigeración. Verifique el drenaje por la abertura transparente para determinar si se producen pérdidas.
5. Al completar la verificación, recuerde cortar la energía.

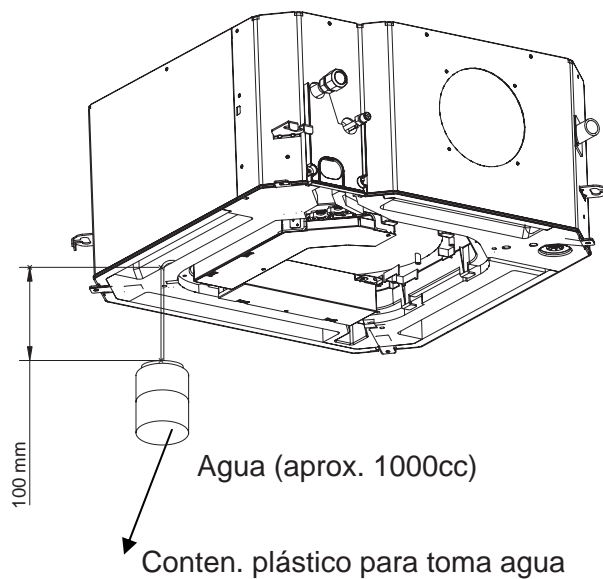


Fig.14

#### **Precaución!**

Durante esta operación, comenzará a funcionar el ventilador. De manera que preste atención a éste.

#### **Completando tareas de drenaje.**

Después de verificar el drenaje, asegúrese de que la aislación térmica esté envuelta alrededor del tubo de drenaje interior para impedir la condensación de rocío. (El material debe tener una clasificación incombustible M1)

## 9. CONEXIÓN ELECTRICA ENTRE UNIDADES INTERIOR Y EXTERIOR

### Requerimientos electricos

Tanto el encablado eléctrico como las conexiones deberán ser realizados por electricistas certificados, y deberán cumplir los códigos y reglamentaciones de electricidad locales. Las unidades de aire acondicionado deben estar puestas a masa.

La unidad climatizadora debe estar conectada a una toma de energía apropiada proveniente de un circuito derivado separado, protegido por un disyuntor con retardo de tiempo, como se indica en la placa de identificación de la unidad.

El voltaje no deberá variar más de  $\pm 10\%$  del voltaje de régimen.

1. Para conectar las unidades interior y exterior, se utilizan los siguientes cables eléctricos(page16):
2. Prepare los extremos de los cables para la entrada de energía y para los cables entre las unidades interior y exterior como se muestra en la Figura 15a y 15b respectivamente.
3. Conecte los extremos de los cables a los terminales de las unidades interior y exterior, como se muestra en Fig. 16.
4. Fije el cable de energía de alambres múltiples con las abrazaderas de cable.

**Notas:** El código de color de los alambres puede ser seleccionado por el instalador.

#### • Cable entrada energ.

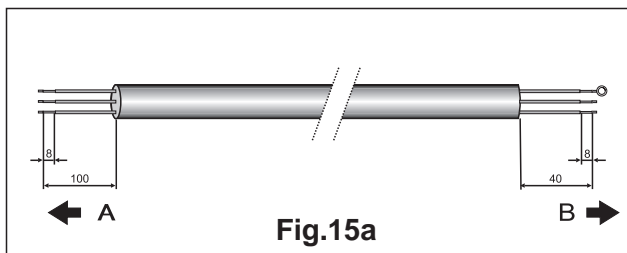


Fig.15 A. EXTERIOR B. INTERIOR

#### • Cable entre unidades interior y exterior

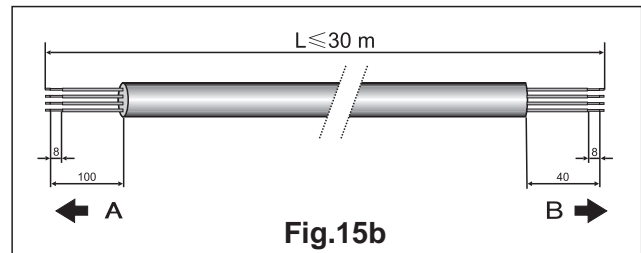
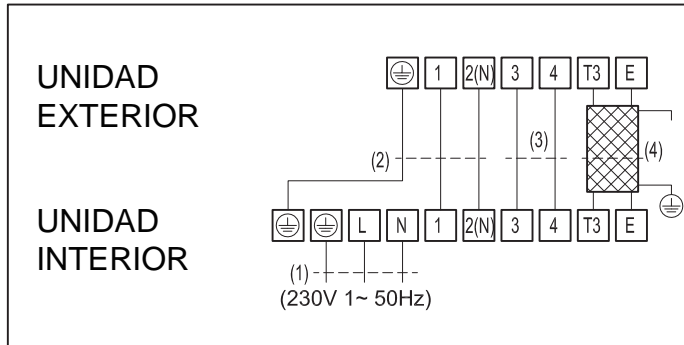


Fig.15b

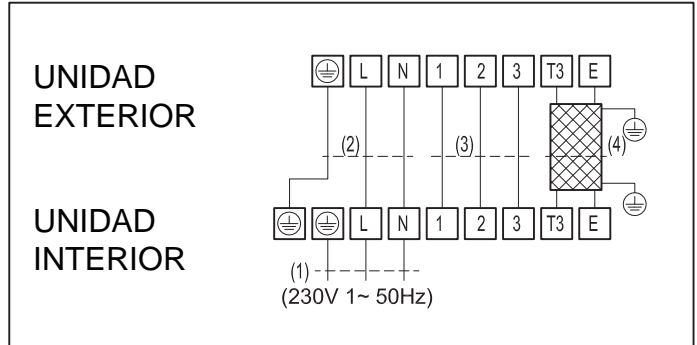
**Procedimientos de Encablado**

**TIPO ON-OFF**

12/18 KBtu/h

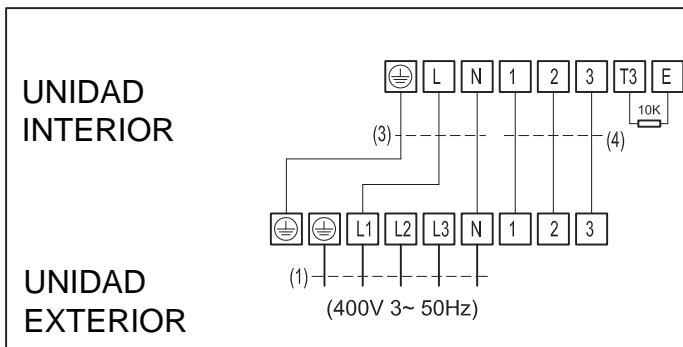


24/30/36 KBtu/h

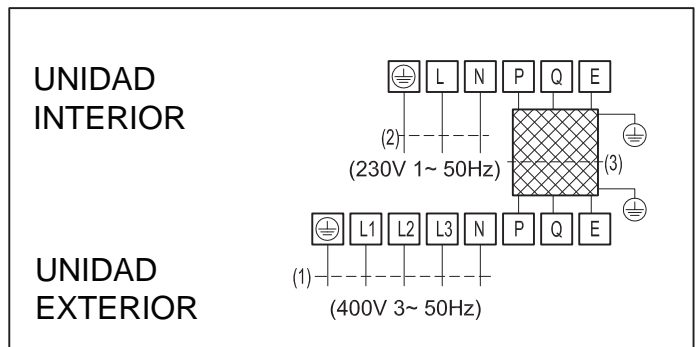


Capacidad	12/18K	24K	30K/36K
Lado alimentación	Unidad Interior		
Amperaje	16A	25A	30A
1- Cable de alimentación(IDU)	3 x 1.5mm <sup>2</sup>	3 x 2.5mm <sup>2</sup>	3 x 4.0mm <sup>2</sup>
2- Cable de interconexión	3 x 1.5mm <sup>2</sup>	3 x 2.5mm <sup>2</sup>	3 x 4.0mm <sup>2</sup>
3- Cable de interconexión	2 x 1.0mm <sup>2</sup>	3 x 1.0mm <sup>2</sup>	3 x 1.0mm <sup>2</sup>
4- Cable de interconexión	2 x 0.5mm <sup>2</sup>	2 x 0.5mm <sup>2</sup>	2 x 0.5mm <sup>2</sup>

36 KBtu/h (3Ph)



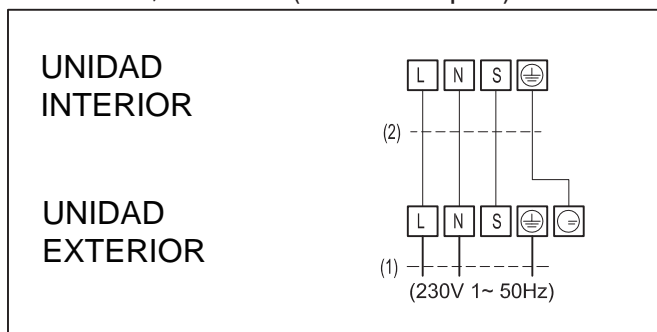
48/60 KBtu/h (3Ph)



Capacidad	36K (3Ph)	48K	60K
Lado alimentación	Unidad Exterior	Unidad Interior y la Unidad Exterior	
Amperaje (ODU/IDU)	20A /-	25A / 16A	25A / 16A
1- Cable de alimentación (ODU)	5 x 2.5mm <sup>2</sup>	5 x 2.5mm <sup>2</sup>	5 x 2.5mm <sup>2</sup>
2- Cable de alimentación(IDU)	-	3 x 1.0mm <sup>2</sup>	3 x 1.0mm <sup>2</sup>
3- Cable de interconexión	3 x 1.0mm <sup>2</sup>	3 x 0.5mm <sup>2</sup>	3 x 0.5mm <sup>2</sup>
4-Cable de interconexión	3 x 1.0mm <sup>2</sup>	-	-

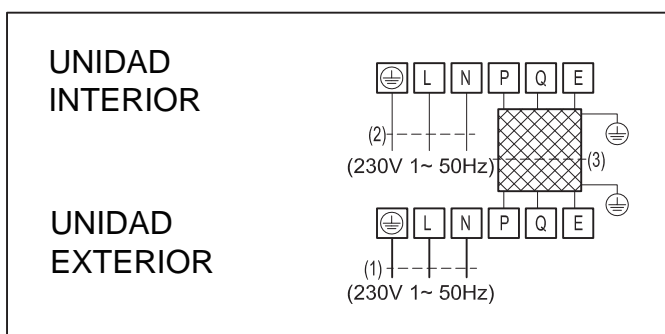
**TIPO INVERTER**

12KBtu/h, 18KBtu/h(Para multisplits)

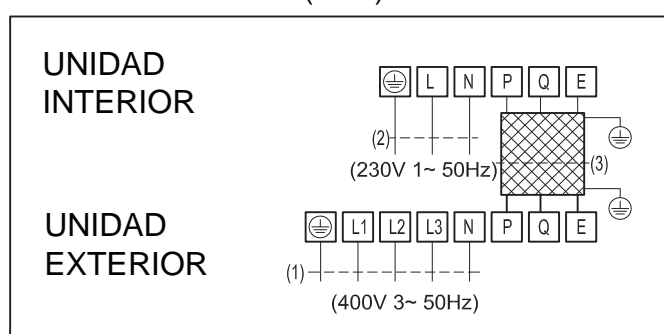


Capacidad	12K	18K(Para multisplits)
Lado alimentación	Unidad Exterior	Unidad Exterior
Amperaje	16A	Unidad Exterior
1- Cable de alimentación(ODU)	3 x 2.5mm <sup>2</sup>	Unidad Exterior
2- Cable de interconexión	4 x 1.0mm <sup>2</sup>	4 x 1.0mm <sup>2</sup>

18/24/30/36 KBtu/h



36/48/60 KBtu/h (3Ph)



Capacidad	18k	24k	30k	36k
Lado alimentación	Unidad Interior y la Unidad Exterior			
Amperaje (ODU/IDU)	16A / 10A	20A / 10A	30A / 10A	30A / 10A
1- Cable de alimentación(ODU)	3 x 2.5mm <sup>2</sup>	3 x 2.5mm <sup>2</sup>	5 x 2.5mm <sup>2</sup>	5 x 4.0mm <sup>2</sup>
2- Cable de alimentación(IDU)	3 x 1.0mm <sup>2</sup>	3 x 1.0mm <sup>2</sup>	3 x 1.0mm <sup>2</sup>	3 x 1.0mm <sup>2</sup>
3- Cable de interconexión	3 x 0.5mm <sup>2</sup>	3 x 0.5mm <sup>2</sup>	3 x 0.5mm <sup>2</sup>	3 x 0.5mm <sup>2</sup>

Capacit�	36k(3Ph)	48K	60K
Lado alimentaci�n	Unidad Interior y la Unidad Exterior		
Amperaje (ODU/IDU)	20A / 10A	25A / 10A	25A / 10A
1- Cable de alimentaci�n(ODU)	5 x 2.5mm <sup>2</sup>	5 x 2.5mm <sup>2</sup>	5 x 2.5mm <sup>2</sup>
2- Cable de alimentaci�n(IDU)	3 x 1.0mm <sup>2</sup>	3 x 1.0mm <sup>2</sup>	3 x 1.0mm <sup>2</sup>
3- Cable de interconexi�n	3 x 0.5mm <sup>2</sup>	2 x 0.5mm <sup>2</sup>	2 x 0.5mm <sup>2</sup>

ESPA OL

## 10. TUBERÍAS REFRIGERANTES

### Conexión de unidades interior y exterior

La unidad interior contiene una pequeña cantidad de nitrógeno. No afloje las tuercas si la unidad contiene una carga suficiente de refrigerante (R410A). Vea la placa de identificación de la unidad exterior.

Para impedir que los tubos se aplasten, dóblelos con una herramienta de doblado.

NOTA: Utilice tipo de refrigerante R410A, tuberías de cobre solamente.

1. Abra la tapa de la válvula.
2. Utilice el diámetro de tubo correspondiente al diámetro de tubo de las unidades interior y exterior. Observe que los tubos de líquido y succión tienen diámetros diferentes. (Vea tabla de tamaños de tubos y torques de ajuste).
3. Coloque tuercas abocardadas en los extremos de los tubos antes de prepararlas, mediante una herramienta de abocardar. Utilice las tuercas abocardadas montadas en las unidades interior y exterior.
4. Conecte todos los extremos de las tuberías a las unidades interior y exterior. Preste atención a la señal. Todos los extremos deben corresponderse.
5. Aísle cada tubo por separado, así como sus uniones, con aislación de por lo menos 6 mm de espesor. Envuelva la tubería refrigerante, manguera de drenaje y cables eléctricos juntos con cinta vinílica (con protección UV).

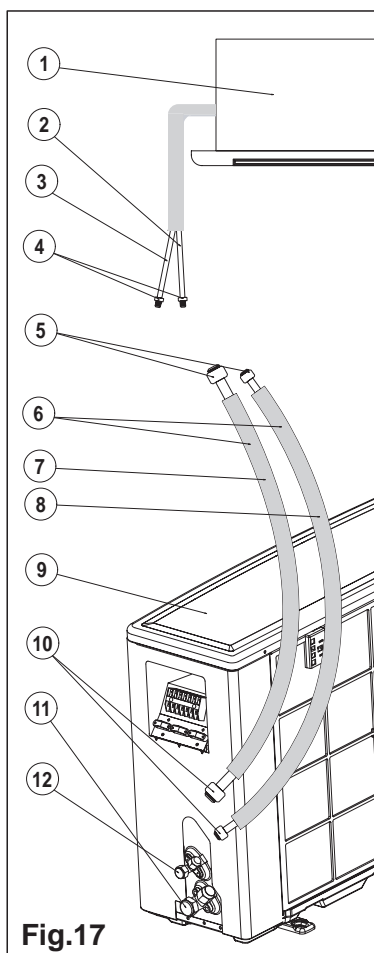


Fig.17

#### Precaución!

Al destornillar las tapas de las válvulas, no permanezca frente a las mismas o sus vástagos, ya que el sistema está bajo presión

#### Fig.17

1. Unidad interior
2. Tubo Líquido (Ø. menor)
3. Tubo succ. (Ø mayor)
4. Tapones
5. Tuercas Abocardadas
6. Tubos entre unidades
7. Tubo succión
8. Tubo líquido
9. Unidad exterior
10. Tuercas abocardadas
11. Válv. succión (grande)
12. Válv. líquido (pequeñal)

TAMAÑO TUBO	TORQUE
Línea líquido 1/4"	15-20 N.M.
Línea succión 3/8"	30-35 N.M.
Línea succión 1/2"	50-54 N.M.
Línea succión 5/8"	75-78 N.M.

Torques ajuste de uniones y tapas válvulas

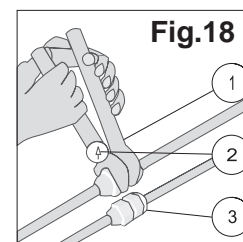


Fig.18

1. Llave
2. Llave Torque
3. Unión

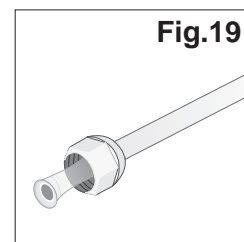


Fig.19

Para evitar pérdidas refrigerante, cubra superficie abocardada con aceite refrigerante

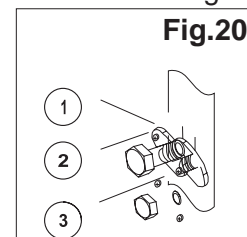


Fig.20

1. Válv. succión
2. Orif. servicio
3. Válv. líquido
4. Unión

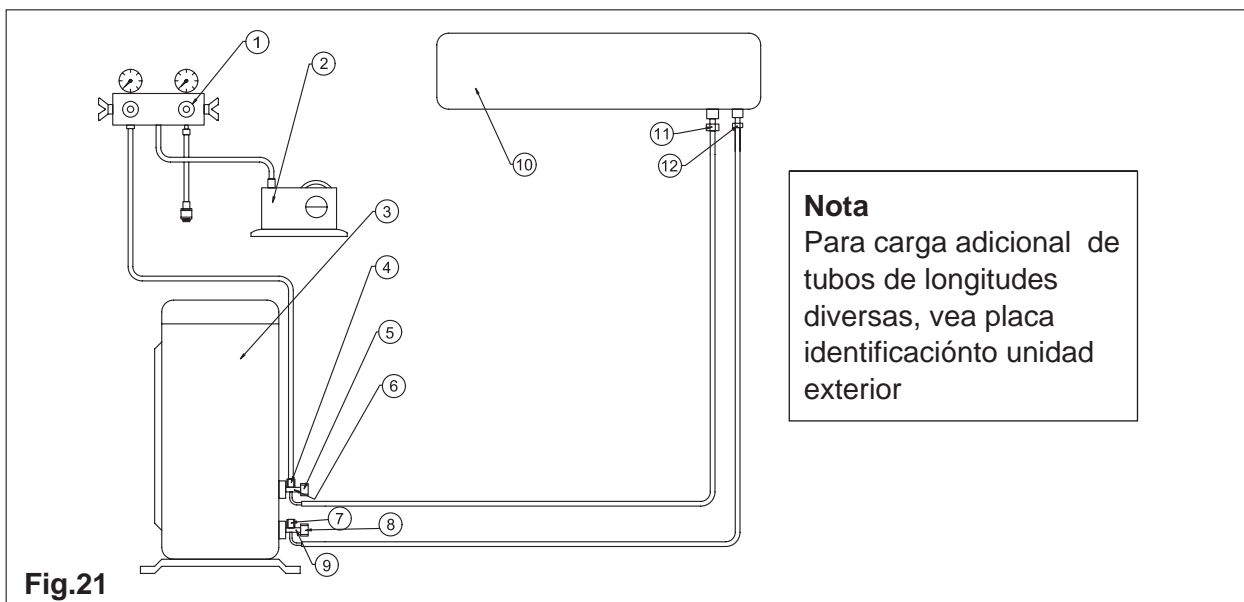


### Vacio en tubos refrigerantes y unidad interior

Después de conectar las uniones de las unidades interior y exterior, purgue el aire de los tubos y unidad interior de la siguiente forma:

1. Conecte las mangueras de carga con un perno pulsador al costado inferior del equipo de carga y la abertura de servicio de la válvula de succión. Asegúrese de conectar el extremo de la manguera de carga con el perno pulsador a la abertura de servicio.
2. Conecte la manguera central del equipo de carga a una bomba de vacío.
3. Encienda la bomba de vacío, apague el interruptor del lado superior, y asegúrese de que la aguja del medidor se mueva de 0 MPa (0cm Hg) a -0.1MPa (-76cm Hg). Deje funcionar la bomba quince minutos.
4. Cierre la válvula del lado inferior del equipo de carga y apague la bomba de vacío. Constate que la aguja en el medidor no se mueva después de aproximadamente cinco minutos.
5. Si no se presentan problemas durante cinco minutos, encienda la bomba de vacío y abra la válvula del lado inferior del equipo de carga.
6. Desconecte la manguera de carga de la bomba de vacío y de las aberturas de servicio de la válvula de succión.
7. Ajuste las tapas de las aberturas de servicio de la válvula de succión.
8. Vuelva a efectuar pasos 1 a 7 para las otras unidades interiores.
9. Retire las tapas de todas las válvulas, y ábralas mediante una llave Allen hexagonal.
10. Vuelva a colocar las tapas de todas las válvulas.
11. Verifique si existen pérdidas de gas en todas las conexiones.

Efectúe prueba con detector electrónico de pérdidas, o con una esponja sumergida en agua jabonosa, para determinar la presencia de burbujas.



**Nota**  
Para carga adicional de tubos de longitudes diversas, vea placa identificaciónto unidad exterior

- |                   |                    |                      |
|-------------------|--------------------|----------------------|
| 1. Equipo carga   | 5. Tapa            | 9. Válv. líquido     |
| 2. Bomba vacío    | 6. Válv. succión   | 10. Unidad interior  |
| 3. Unid.exterior  | 7. Orif servicio * | 11. Conexión succión |
| 4. Orif. Servicio | 8. Tapa            | 12. Conexión líquido |
- \* Solamente algunos modelos

## 11. INSTALACION DE PANELES

### Extracción de la rejilla:

1. Oprima dos interruptores de rejilla en la dirección al mismo tiempo y luego tire de ellos hacia arriba. (Fig.22)
2. Levante la rejilla en un ángulo de 45 grados y retírela. (Fig.23)

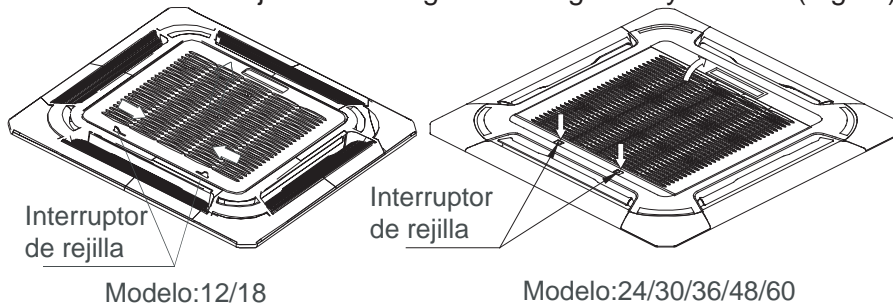


Fig.22

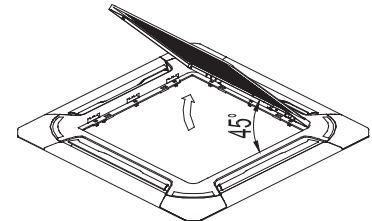


Fig.23

### Retire las cubiertas de esquina (Para modelo 24-60)

Destornille los pernos, afloje la cuerda de las cubiertas de instalación y retírelas. (Fig.24)

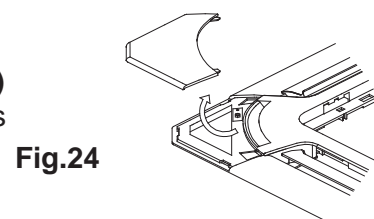


Fig.24

### Instale el panel

#### Para Modelo 12-18:

1. Alinee apropiadamente el motor de giro en el panel a las uniones de tubería del cuerpo. (Fig.25)
2. Cuelgue las cuatro cuerdas fijas del cuerpo principal a la cubierta de instalación y las otras tres cubiertas del motor de giro. (Fig.25)
3. Instale el panel en el cuerpo principal con perno (M5x16) y arandela.
4. Ajuste los cuatro pernos para mantener horizontal el panel, cierre los pernos hasta que el grosor de la esponja entre el cuerpo y el panel haya sido reducida a aproximadamente 4~6mm. (Fig.27)

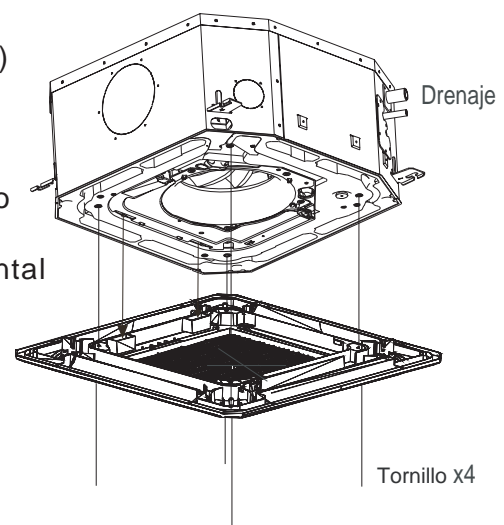


Fig.25

#### Para Modelo 24-60:

1. Alinee apropiadamente el motor de giro en el panel a las uniones de tubería del cuerpo. (Fig.26)
  2. Fije los ganchos del panel en el motor de giro y sus lados opuestos a los ganchos del receptor de agua correspondiente. (Fig.26-1)
  3. Cuelgue los otros dos ganchos de panel en los colgadores correspondientes del cuerpo. (Fig.26-2)
  4. Ajuste los cuatro tornillos de gancho del panel para mantenerlo horizontal, y atorníllelos al techo de forma uniforme. (Fig.26-3)
  5. Regule ligeramente el panel en la dirección de la flecha en la Fig.26-4 para encajar el centro del panel en el centro de la apertura del techo.
- Cerciórese de que los ganchos de las cuatro esquinas estén bien fijados.
6. Cierre los pernos debajo de los ganchos del panel, hasta que el grosor de la esponja entre el cuerpo y el panel haya sido reducido a aproximadamente 4~6mm. (Fig.27)

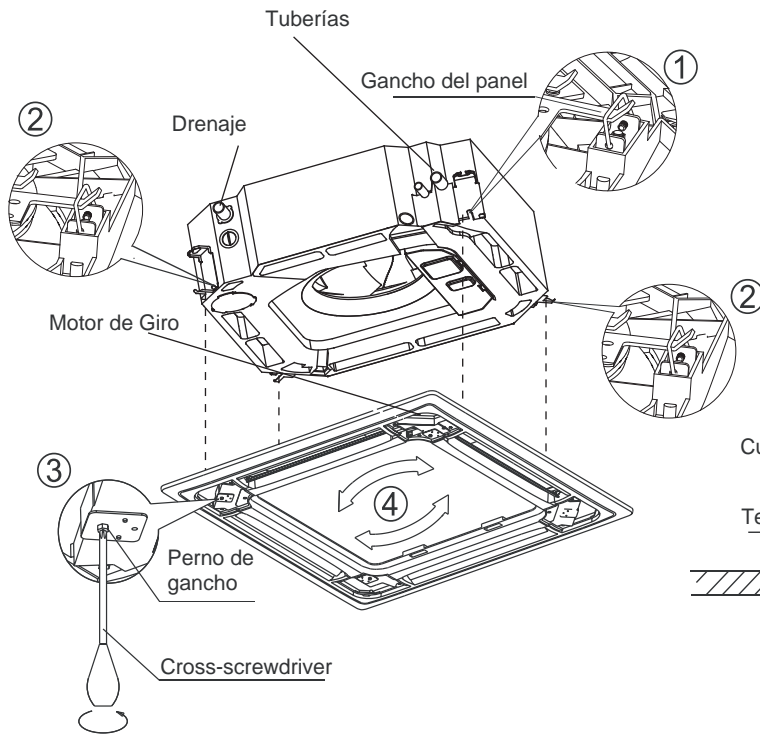


Fig.26

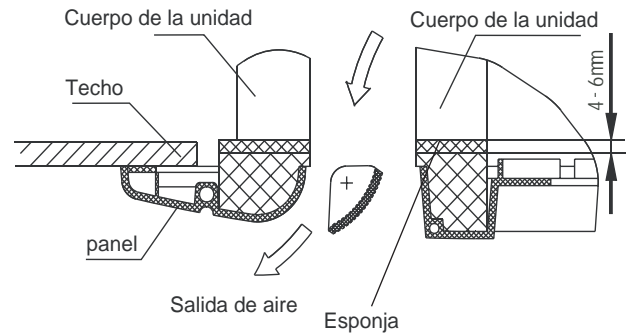


Fig.27

**Reubicar la Rejilla**

1. Cuelgue la rejilla del panel, luego conecte el cable del motor de giro y fije a los conectores correspondientes del cuerpo de la unidad.
2. Reubique la rejilla de entrada de aire siguiendo el procedimiento en el orden inverso.

**Reubique la cubierta de esquina.**

1. Asegure la cuerda de la cubierta de esquina al tornillo de la cubierta de esquina. (Fig.28)
2. Presione ligeramente la cubierta en el panel. (Fig.28)

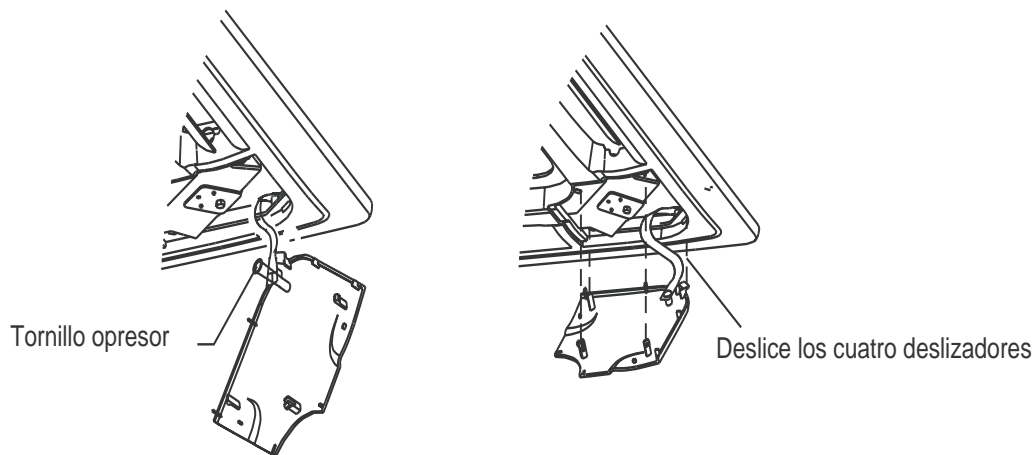


Fig.28

## 12. TAREAS FINALES

1. Verifique todas las tapas de las válvulas y asegúrese de que hayan sido correctamente ajustadas. Cierre la tapa de la válvula.
2. Rellene los espacios en la pared entre costados de orificios y tuberías con sellador.
3. Fije el encablado y tuberías a la pared con abrazaderas cuando sea necesario.
4. Haga funcionar la unidad no menos de 5 minutos en modo calefacción o refrigeración.
5. Explique tema retiro de filtro, limpieza y reinstalación.
6. Haga funcional el equipo junto con el cliente y explíquelo todas las funciones.
7. Entregue al cliente los manuales de operación e instalación.

# CLIMATIZZATORE A CASSETTA

**R410A**



ITALIANO

**Italiano**

Unità interna di tipo a cassetta

CE

# SOMMARIO

1. <b>UTENSILI NECESSARI PER L'INSTALLAZIONE</b> .....	2
2. <b>PRECAUZIONI DI SICUREZZA</b> .....	2
3. <b>UTENSILI DI INSTALLAZIONE/RIPARAZIONE (solo per modello R410a)</b> .....	4
4. <b>ACCESSORI</b> .....	5
5. <b>ACCESSORI OPZIONALI</b> .....	6
6. <b>UBICAZIONE DELLE UNITÀ INTERNA ED ESTERNA</b> .....	6
7. <b>INSTALLAZIONE DELL'UNITÀ ESTERNA</b> .....	9
8. <b>CONNESSIONE DEL TUBO DI CONDENZA</b> .....	14
9. <b>CONNESSIONI ELETTRICHE FRA UNITÀ INTERNA ED ESTERNA</b> .....	16
10. <b>TUBATURA DEL REFRIGERANTE</b> .....	19
11. <b>INSTALLAZIONE DEL PANNELLO</b> .....	21
12. <b>AZIONI FINALI</b> .....	23

L'apparecchio non deve essere installato in lavanderia

**Note:**

Questo manuale riguarda gli apparecchi split singoli.

Per apparecchi multi-split consultare il manuale d'installazione fornito nell'imballaggio dell'unità esterna.

**Questo manuale può essere modificato in qualsiasi momento**

## 1. UTENSILI NECESSARI PER L'INSTALLAZIONE

1. Cacciavite	7. Lama	13. Chiave torsiometrica
2. Trapano elettrico, punta ( $\varnothing$ 60mm)	8. Rilevatore perdite di gas	18 N • m (1,8 kgf.m)
3. Chiave esagonale	9. Nastro per misurazioni	35 N • m (3,5 kgf.m)
4. Chiave	10. Termometro	55 N • m (5,5 kgf.m)
5. Tagliatubo	11. Megaohmmetro	14. Pompa a vuoto
6. Alesatore	12. Multimetro	15. Manometro di mandata (per R-410A)

## 2. PRECAUZIONI DI SICUREZZA

- Le installazioni dovranno essere realizzate in linea con le regole e i codici nazionali elettrici, di costruzione e di sicurezza.
- Leggere attentamente le seguenti “PRECAUZIONI DI SICUREZZA” prima di procedere all'installazione.
- I lavori elettrici devono essere eseguiti da un tecnico elettricista. Verificare che la potenza nominale della spina di alimentazione e del circuito di rete sia idonea a quella del modello utilizzato. Le informazioni fornite di seguito devono essere seguite attentamente in quanto relative alla sicurezza del personale. Il significato di ogni simbolo è indicato di seguito.
- L'installazione non corretta, dovuta al mancato rispetto delle istruzioni, può provocare lesioni o danni, il cui grado di gravità viene classificato dai seguenti simboli.
- Effettuare un test di funzionamento per verificare che non sussista nessuna anomalia dopo l'installazione. Quindi, illustrare all'utente il funzionamento, lo stoccaggio e la manutenzione, come da Manuale di istruzioni. Ricordare all'utente di conservare le istruzioni relative al funzionamento per le future consultazioni.

### PERICOLO

- 1) Contattare un tecnico qualificato e seguire attentamente le istruzioni, onde evitare pericoli di scosse elettriche, perdite d'acqua o problemi estetici.
- 2) Installare l'apparecchio in un posto sicuro e stabile, che sia in grado di supportarne interamente il peso. In caso di stabilità insufficiente o di installazione non correttamente eseguita, il dispositivo può cadere e causare grave danno.
- 3) Eseguire i collegamenti elettrici seguendo norme e regolamenti locali in materia di cablaggio e questo manuale. Si richiede un circuito indipendente e una presa singola. Pericoli di scosse o incendi dovuti ad eventuali malfunzionamenti o capacità insufficiente del circuito elettrico.
- 4) Usare cavi specificati ed effettuare correttamente il collegamento interno/esterno. Collegare appropriatamente e fissare il cavo in modo che nessuna forza esterna possa agire sul terminale per evitare pericoli di surriscaldamenti o incendi.
- 5) La posa dei cavi deve essere effettuata in modo tale che il coperchio del quadro di comando sia fissato in modo corretto. Qualora lo stesso non fosse fissato correttamente, si potrebbe verificare un surriscaldamento nel punto di collegamento del terminale, nonché incendi o scosse elettriche.
- 6) Durante la connessione delle tubazioni, fare attenzione a non far entrare all'interno del ciclo di refrigerazione sostanze aeree diverse da quelle del refrigerante specifico. In caso contrario, la capacità diminuirà con conseguenti anomalie della pressione nel ciclo di refrigerazione, nonché pericolo di esplosioni e lesioni.
- 7) Non danneggiare o utilizzare un cavo d'alimentazione diverso da quello originale. In caso contrario, sussiste il pericolo di incendi o scosse elettriche.
- 8) Non modificare la lunghezza del cavo di alimentazione né utilizzare prolunghe, non condividere la presa singola con altri dispositivi elettrici. In caso contrario, sussiste il pericolo di incendi o scosse elettriche.
- 9) Questo apparecchio deve essere collegato a terra. Un errato collegamento a terra può causare scosse elettriche.

- 10) NON installare l'unità: nei luoghi sopra citati, c'è rischio che l'unità prenda fuoco.
  - a) in posti con rischio di fughe di gas infiammabile, o con presenza di oli o vapore o altre sostanze infiammabili nell'atmosfera
  - b) sopra piani di cottura, specialmente nelle cucine
  - c) in prossimità di oggetti riscaldati, dove le unità possono essere esposte ad alte temperature
- 11) Evacuare la tubazione come descritto nelle istruzioni. Qualora l'evacuazione non venisse effettuata correttamente, l'acqua potrebbe entrare nella stanza e danneggiare il mobilio.
- 12) Per unità con riscaldatori supplementari, la distanza minima tra unità e combustibile deve essere 50 cm, diversamente vi è pericolo d'incendio.

### **ATTENZIONE**

- 1) Selezione della posizione di installazione.  
Selezionare una corretta posizione di installazione, adatta a sostenere un supporto rigido e pesante e selezionare, inoltre, una posizione che consenta una semplice manutenzione.
- 2) Effettuare il collegamento dell'alimentazione al climatizzatore per ambienti.  
Collegare il cavo dell'alimentazione del climatizzatore alla rete principale, utilizzando uno dei metodi elencati in seguito. Il punto di alimentazione deve essere posizionato in un luogo di rapido accesso per la disconnessione, in caso di emergenza.  
In alcuni paesi, il collegamento permanente del climatizzatore all'alimentazione è proibito.
- 3) Non far fuoriuscire il refrigerante.  
Non far fuoriuscire il refrigerante nei lavori di posa delle tubazioni durante l'installazione, la reinstallazione e durante la riparazione di componenti di refrigerazione. Prestare attenzione al liquido refrigerante in quanto può causare congelamento.
- 4) Installazione Per effettuare l'installazione sono necessarie due persone.
- 5) Non installare questo sistema in lavanderie o in altre posizioni in cui potrebbero verificarsi cadute di acqua dal soffitto, ecc.
- 6) La temperatura del circuito refrigerante è elevata. Tenere a distanza il cavo di interconnessione dal tubo.



## 3. UTENSILI DI INSTALLAZIONE/RIPARAZIONE (solo per modello R410a)

**ATTENZIONE****Installazione del climatizzatore con nuovo refrigerante**






QUESTO APPARECCHIO UTILIZZA IL NUOVO REFRIGERANTE HFC (R410A) CHE NON DANNEGGIA LO STRATO DI OZONO. Il refrigerante R410A è suscettibile all'attacco dell'acqua, che ossida la membrana e oli, dal momento che la pressione di esercizio del refrigerante R410A è di circa 1,6 volte rispetto al refrigerante R22. Oltre al nuovo refrigerante, è stato variato anche l'olio del refrigeratore. Quindi, durante l'installazione, assicurarsi che l'acqua, la polvere, il refrigerante vecchio o l'olio del refrigeratore non siano penetrati nel circuito del nuovo refrigerante R410A del climatizzatore. Per evitare la miscelazione del refrigerante o dell'olio del refrigeratore, le dimensioni delle sezioni di collegamento dell'apertura di rabbocco sull'unità principale e gli utensili di installazione non devono essere gli stessi di quelli utilizzati per i refrigeranti comuni. Per questo motivo, è necessario utilizzare utensili speciali per le unità con il nuovo refrigerante (R410A). Per le tubazioni di collegamento, utilizzare tubi nuovi e puliti, con accessori appositamente adatti a R410A, in modo da evitare l'ingresso di acqua e/o polvere. Inoltre, non utilizzare le tubazioni esistenti per evitare problemi con i raccordi a pressione e poiché in esse potrebbero essere

**Modifiche al prodotto e ai componenti**



Nei climatizzatori R410A, per evitare che venga utilizzato accidentalmente un tipo diverso di refrigerante, il diametro dell'apertura di rabbocco della valvola di controllo dell'unità esterna (valvola a 3 vie) è stato variato (filetti 1/2 UNF 20 per pollice).

- Per aumentare la resistenza alla pressione della tubatura del refrigerante, sono stati modificati sia il diametro di svasatura che le dimensioni dei controdadi svasati (per tubazioni di rame con dimensioni nominali di 1/2 e 5/8 )

**Nuovi utensili per R410A**








Nuovi utensili per R410A	Applicabili al modello R22		Modifiche
Manometro di mandata	×		Dal momento che la pressione di esercizio è elevata, è impossibile misurarla con manometri convenzionali. Per evitare che siano caricati diversi refrigeranti, i diametri delle aperture sono stati modificati.
Tubo flessibile di carica	×		Per aumentare la resistenza alla pressione, sono stati modificate le dimensioni dei materiali e dell'apertura (filetti fino a 1/2 UNF 20 per pollice). Al momento dell'acquisto di un tubo flessibile di carica, verificare le dimensioni dell'apertura.
Taratura elettronica per carica refrigerante	○		Dal momento che la pressione e la velocità di evaporazione sono elevate, è difficile leggere il valore indicato tramite il cilindro di carica, vista la presenza di bolle d'aria.
Chiave torsionometrica (diametro nominale 1/2, 5/8)	×		Aumento della dimensione dei controdadi svasati. Occasionalmente, viene utilizzata una chiave comune per i diametri nominali di 1/4 e 3/8.
Utensile di svasatura (a innesto)	○		Aumentando la dimensione del foro di ricezione della barra del morsetto, aumenta anche la forza della molla nell'utensile.
Calibro per la regolazione della sporgenza	—		Utilizzato quando la svasatura viene effettuata con utensili convenzionali.

## Unità interna di tipo a cassetta

Adattatore per pompa a vuoto	○		Collegare alla pompa a vuoto convenzionale. È necessario utilizzare un adattatore per evitare che l'olio della pompa a vuoto rientri nel tubo flessibile di carica. La parte destinata al collegamento del tubo flessibile di carica è dotata di due aperture: una per il refrigerante convenzionale (filetto 7/16 UNF 20 per pollice) e una per il tipo R410A. Se l'olio della pompa a vuoto (minerale) viene miscelato allo R410A, può crearsi una melma dannosa per l'apparecchio.
Rilevatore perdite di gas	X		Solo per refrigerante HFC.

- Il “cilindro refrigerante” viene fornito con il refrigerante R410A e un rivestimento di protezione di colore rosa specificato in ARI statunitense (codice colore ARI: PMS 507).
- Inoltre, l'“apertura di carica e l'imballo del cilindro refrigerante” richiedono un filetto 1/2 UNF 20 per pollice, che corrisponde alla dimensione del foro dell'apertura.

## 4. ACCESSORI

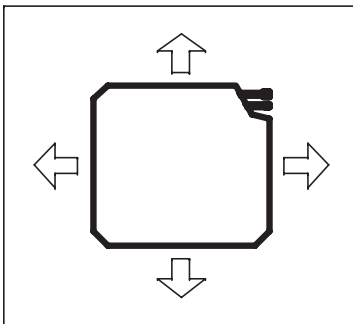
N°	Accessorio	Q.tà	N°	Accessorio	Q.tà
1	Confezione manuale 	1	6	Cavo ingresso alimentazione (optional) 	1
2	Telecomando con batterie 	1	7	Pannello di cartone d'installazione (optional)	1
3	Staffa del telecomando 	1	8	Supporto dell'unità (optional) 	2
4	Viti Rondella Spine 	6or4	9	Cavo bipolare (optional) 	1
5	Connettore di scarico unità esterna 	1			

## 5. ACCESSORI OPZIONALI

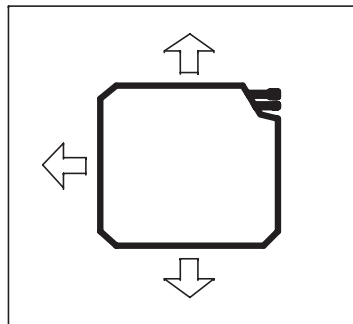
## 6. UBICAZIONE DELLE UNITÀ INTERNA ED ESTERNA

Questo climatizzatore è dotato dello scarico opzionale a 2 o 3 vie, conformemente all'ubicazione dell'installazione. Utilizzare il materiale sigillante fornito con gli accessori per ermetizzare le aperture dell'aria.

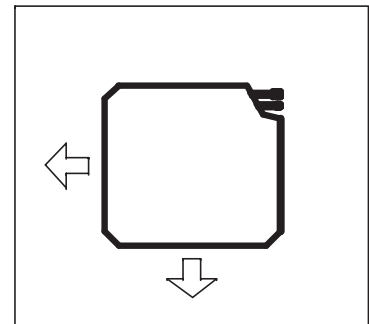
Direzione del flusso dell'aria (esempio)



Direzione a 4 vie (Default)



Direzione a 3 vie



Direzione a 2 vie

### Unità interna

1. Non installare la cassetta in un locale contenente materiali gassosi, acidi o prodotti infiammabili onde evitare danni agli evaporatori di alluminio e di rame ed alle parti interne di plastica.
2. Non installare la cassetta in un laboratorio o in cucina. I vapori oleosi attratti dall'aria condizionata potrebbero depositarsi sugli evaporatori della cassetta e modificarne le prestazioni o danneggiare le parti interne di plastica della cassetta.
3. Non installare la cassetta in una lavanderia o in un locale in cui si genera del vapore.
4. L'apparecchio deve essere collocato in modo che la spina sia accessibile.
5. L'installazione della cassetta sarà più facile utilizzando un montacarichi a forca. Usare la base dell'imballaggio mettendola fra la cassetta e la forca del montacarichi.
6. Si raccomanda di installare la cassetta il più lontano possibile, al centro del locale per ottimizzare la distribuzione dell'aria condizionata.
7. Per la scelta dell'ubicazione verificate che le griglie di distribuzione possano essere rimosse e che ci sia spazio sufficiente per le operazioni di manutenzione e di riparazione.

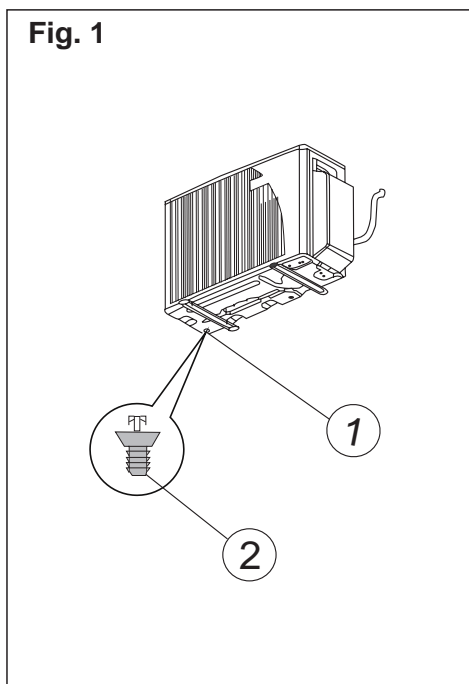
**Unità esterna**

1. L'ubicazione deve consentire un agevole servizio di assistenza e una buona circolazione dell'aria come illustrato in Fig. 4
2. L'unità può essere appesa a una parete con delle staffe (opzionali) o collocata liberamente in piedi sul pavimento (preferibilmente leggermente elevato).
3. Se l'unità è sospesa, verificate che le staffe siano ben fissate e che la parete sia sufficientemente resistente per assorbire le vibrazioni.
4. L'ubicazione dell'unità non deve disturbare i vicini a causa del rumore o dell'uscita di correnti d'aria.
5. Collocate i supporti di montaggio sotto i piedini dell'unità.
6. Fare riferimento alla Fig. 4 per le distanze d'installazione consentite.

Se l'unità è appesa alla parete, installare il tubo connettore di drenaggio ed il tappo del drenaggio come illustrato in Fig. 1 e Fig. 2.

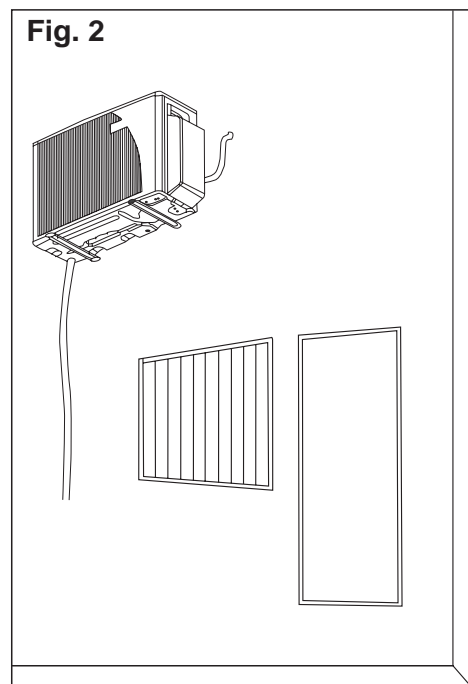
**Fig.1**

1. Base dell'unità esterna.
2. Raccordo di drenaggio



**Fig.2**

- Installazione del drenaggio  
Esempio



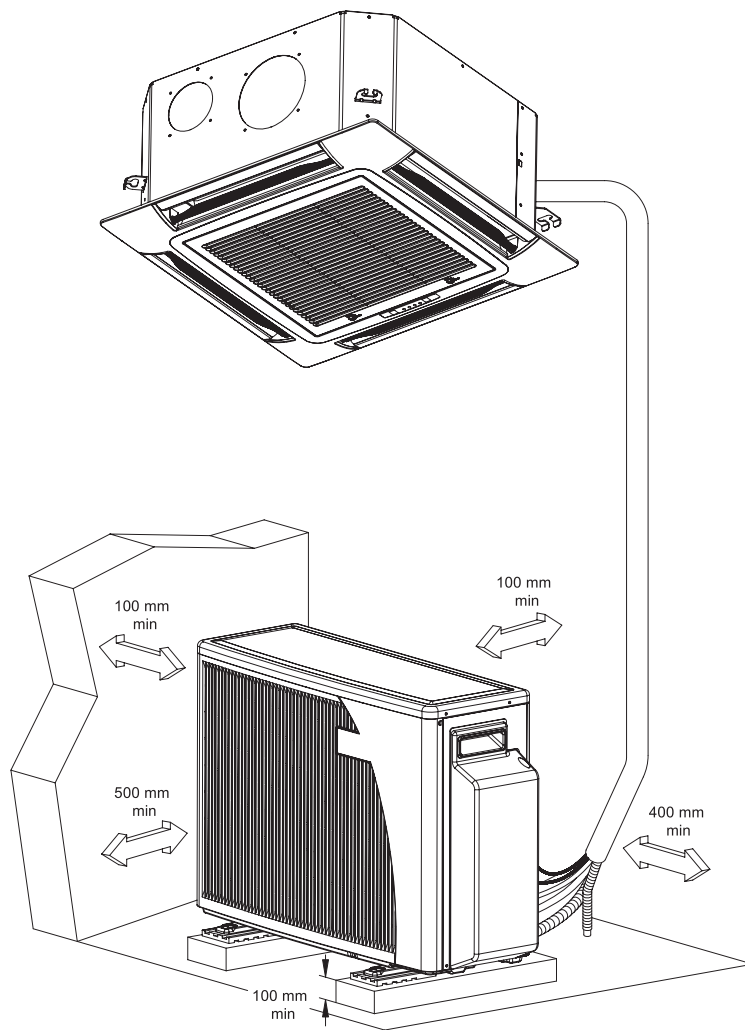
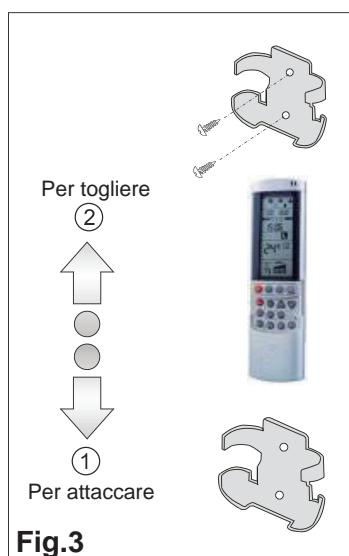


Fig.4

MASSIMA TUBO LUNGHEZZA E ALTEZZA (TIPO ON-OFF)

CAPACITÀ (KBtu/h)	TUBO LIQUID - TUBO GAS (Inch)	A- L.MAX (m)	B - H.MAX (m)	LUNGHEZZA DI PRECARICA (m)	CHARGE ADDITONAL (g/m)
12	1/4"-1/2"	20	10	5	15
18	1/4"-1/2"	25	15	5	15
24	3/8"-5/8"	25	15	5	30
30	3/8"-3/4"	25	15	5	30
36	3/8"-3/4"	30	20	5	30
48/60	3/8"-3/4"	50	25	5	30

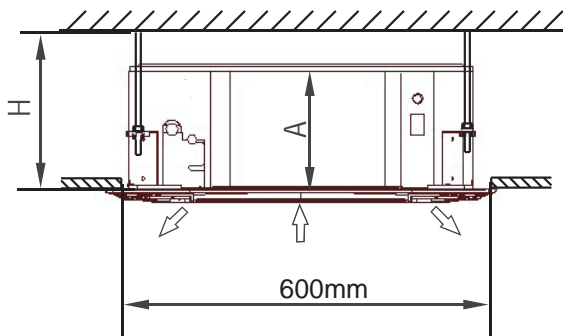
MASSIMA TUBO LUNGHEZZA E ALTEZZA (TIPO INVERTER)

CAPACITÀ (KBtu/h)	TUBO LIQUID - TUBO GAS (Inch)	A- L.MAX (m)	B - H.MAX (m)	LUNGHEZZA DI PRECARICA (m)	CHARGE ADDITONAL (g/m)
12	1/4"-3/8"	20	10	5	15
18	1/4"-1/2"	30	20	5	15
24/30	3/8"-5/8"	50	25	5	30
36/48/60	3/8"-5/8"	65	25	5	30

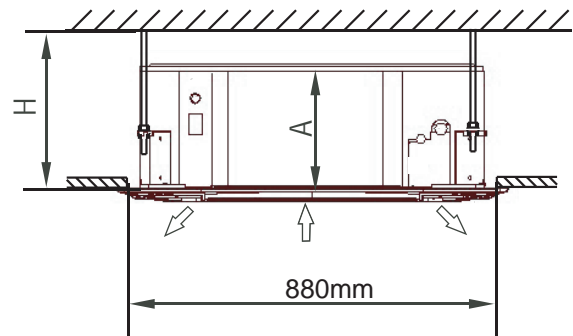
## 7. INSTALLAZIONE DELL'UNITÀ ESTERNA

### Decidere le dimensioni dell'apertura del soffitto.

1. Situazione dell'installazione della cornice del soffitto (soffitto in pannelli standard 60x60).  
Poiché questa unità è una mini-cassetta, non è necessario fare un taglio d'apertura sul soffitto, ma basta rimuovere un pannello del soffitto.
2. Installazione rinforzata a soffitto  
Provvedere all'apertura richiesta per l'installazione a soffitto; di seguito sono illustrate le misure dell'apertura del soffitto in rapporto all'unità ed al pannello (Fig. 5)

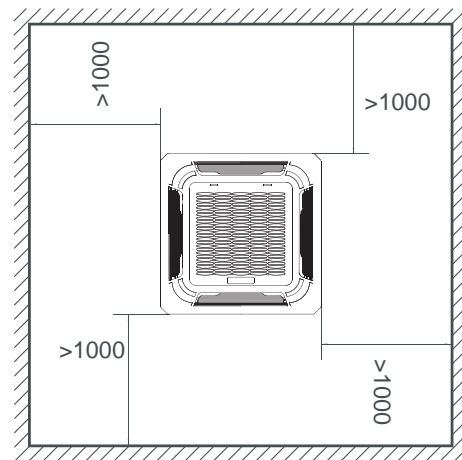
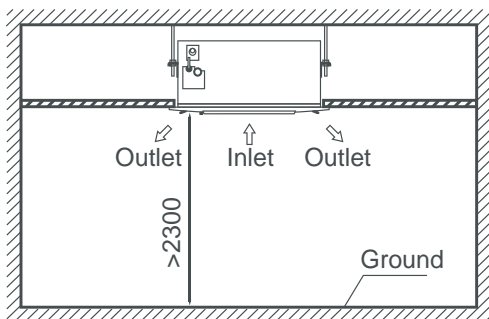


**Modello 12-18**



**Modello 24-60**

**Fig.5**



### ON-OFF

CAPACITÀ (KBtu/h)	A	H
12-18	270mm	>280mm
24	205mm	>235mm
30-48	245mm	>275mm
60	287mm	>317mm

### INVERTER

CAPACITÀ (KBtu/h)	A	H
12-18	270mm	>280mm
24-36	245mm	>275mm
48	287mm	>317mm

### Installazione dell'unità interna

1. Utilizzare il profilo d'installazione (fornito con il pannello) per decidere la posizione delle viti di sospensione. La Fig.6 , e la Fig 7 illustrano i rapporti fra le dimensioni.

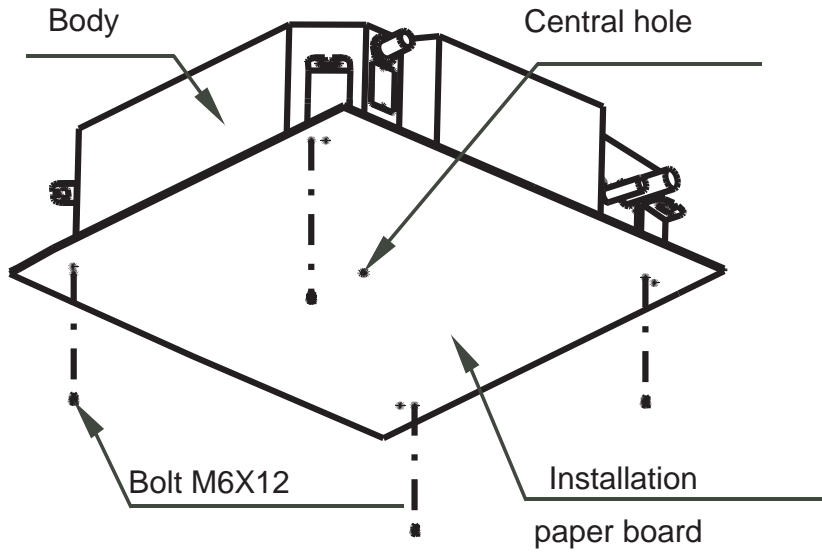


Fig.6

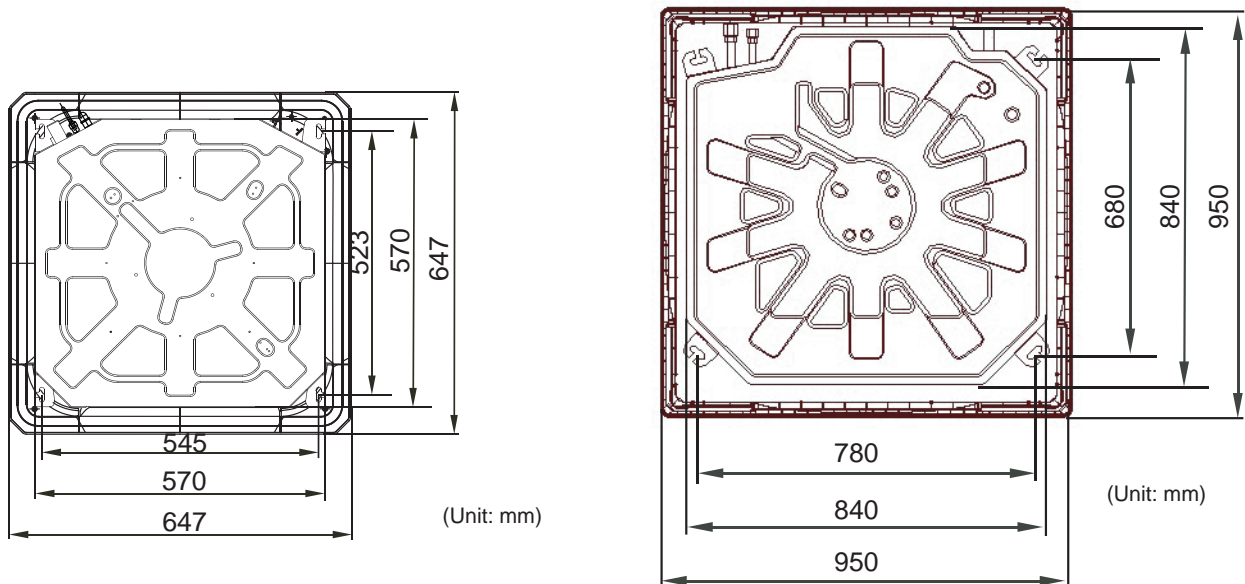
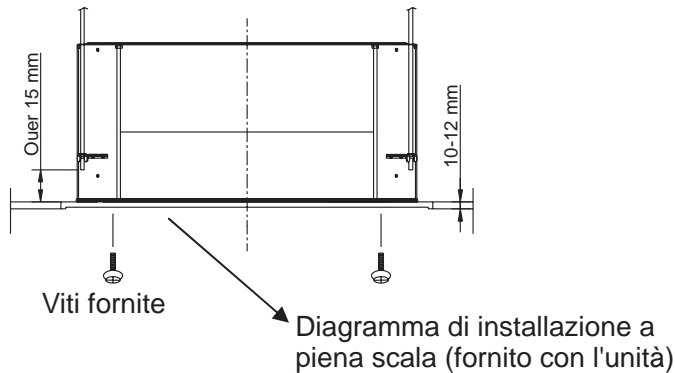


Fig.7

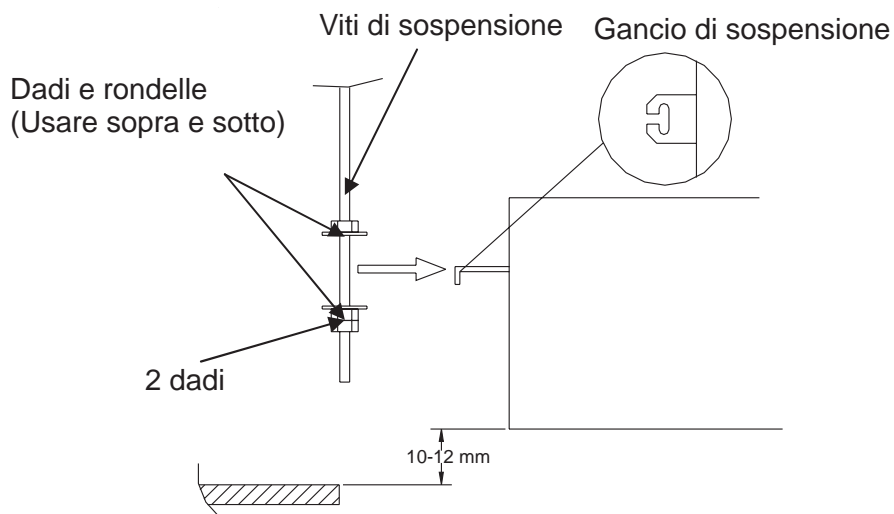
2. I tubi e i cavi devono essere preparati nel soffitto prima di appendere l'unità.

3. La lunghezza delle viti di sospensione deve essere adatta ad una distanza fra l'estremità della vite e la base dell'unità di più di 15 mm, come illustrato in Fig. 8.



**Fig.8**

4. Per prevenire eventuali allentamenti, si raccomanda di usare 3 dadi esagonali (preparati sul posto) e due rondelle (accessori) per ogni vite di sospensione. Fare attenzione di utilizzare 2 dadi nel lato più basso (Fig.9)
5. Regolare la distanza fra l'unità ed il soffitto a 10~12mm. Serrare tutti i dadi sulle viti di sospensione.



**Fig.9**



### Installazione del condotto

1. Sono state previste aperture laterali per l'installazione di condotti separati per la presa d'aria esterna e la distribuzione dell'aria condizionata a un locale adiacente.
2. Usare un punzone per praticare le aperture sulla cassa. Usare una lama per praticare un'apertura adatta sul polistirolo espanso dietro la cassa.

ABBIATE CURA di non danneggiare la spirare di scambio di calore dietro le aperture.

3. Tappare i divari tra i condotti e il margine dell'apertura con materiale isolante anti condensazione.
4. Usare materiale che può resistere ad una temperatura continua di funzionamento, pari a 60°C. I condotti possono essere di tipo flessibile con rinforzo a molla o di alluminio ondulato, ricoperto all'interno con materiale isolante (strato da 12 a 25 mm di fibra di vetro).
5. Ad installazione ultimata, tutte le superfici dei condotti non isolate devono essere ricoperte con materiale isolante anti-condensazione (6 mm di spessore di polistirolo espanso o neoprene espanso). Classificazione ignifuga: M1.

**NON SEGUENDO LE PRECEDENTI ISTRUZIONI, I FLUSSI DI CONDENSA SI ACCUMULERANNO.**

6. Per distribuire l'aria a un locale adiacente richiede di chiudere ermeticamente le uscite per l'aria del corrispondente pannello usando il materiale sigillante (Accessorio)
7. Deve essere applicata una griglia decorativa nella paratia tra il locale climatizzato (dove è installata la cassetta) e il locale adiacente.

Modello 12/18:

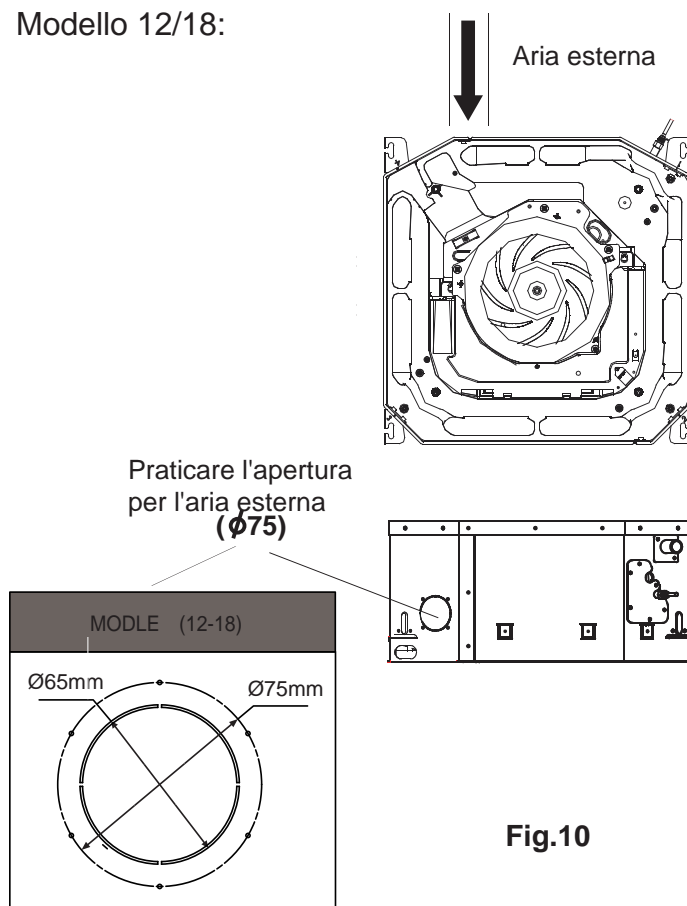


Fig.10

Modello 24~60

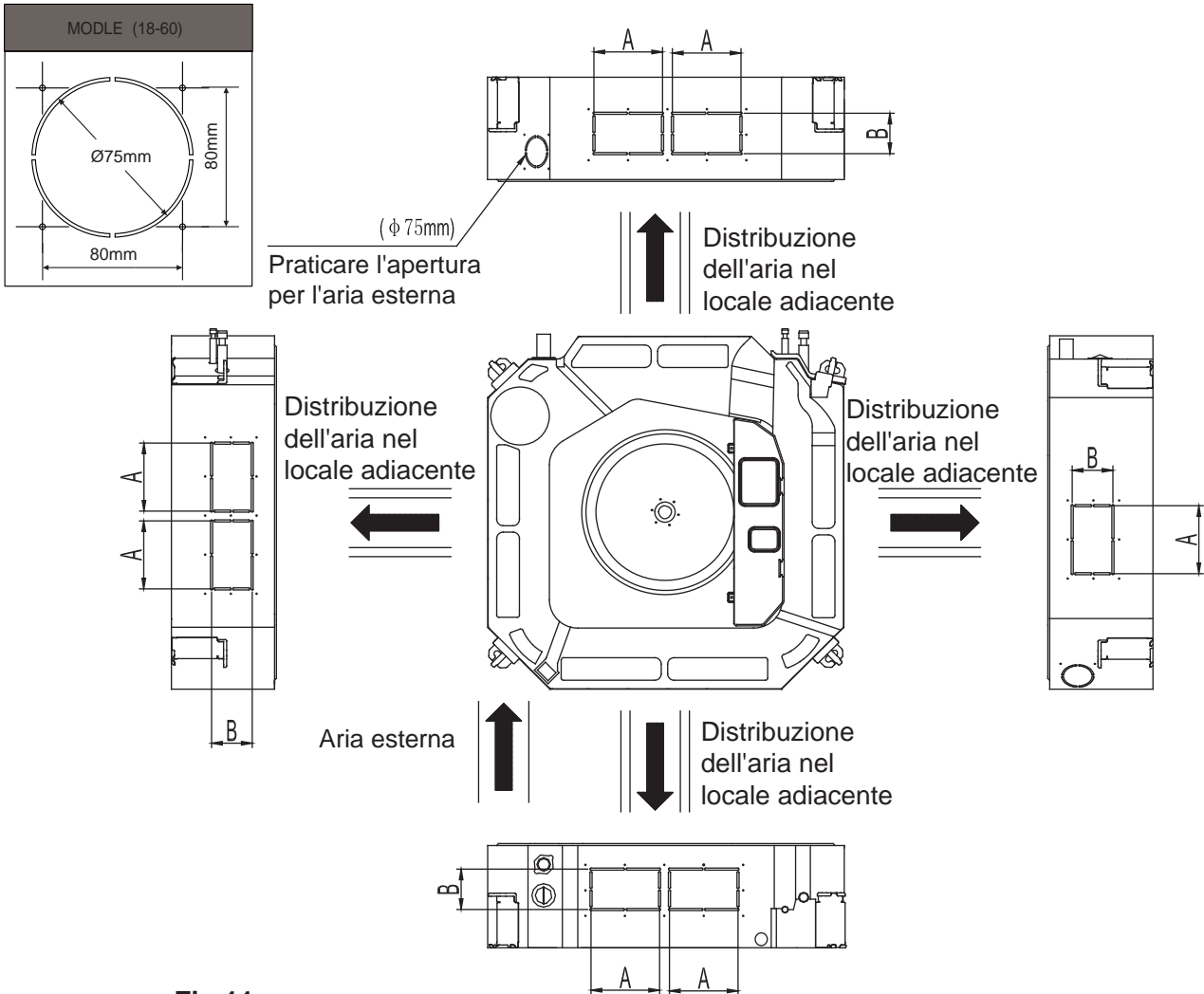


Fig.11



**NOTA**

ON-OFF : 24: A=160mm; B=75mm ; 30-60: A=160mm; B=95mm

INVERTER : 24-60: A=160mm; B=95mm

## 8. CONNESSIONE DEL TUBO DI CONDENSA

### Connessione del tubo di drenaggio

1. Usare un tubo standard di PVC rigido per il tubo di drenaggio.
2. Usare un raccordo di drenaggio (preparato in sito) per cambiare la direzione.
3. Inserire il raccordo di drenaggio fino a collegarlo bene alla porta di drenaggio e fissarlo poi saldamente con il serracavo (preparato in sito) (Fig.12)
4. Dopo aver controllato il drenaggio, avvolgere il raccordo di drenaggio con l'isolante e fermagli (preparato in sito). (Fig.12)

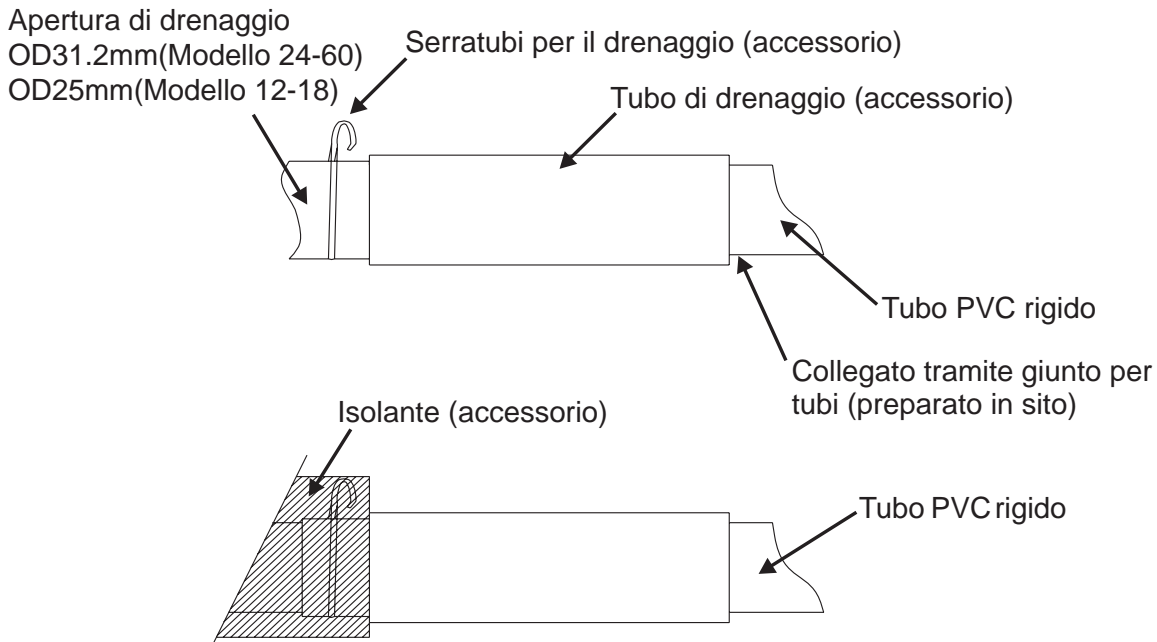


Fig.12

### Avviso

1. Non sollevare il tubo di drenaggio di più di 0.75m per evitare il rischio di eventuali fuoriuscite d'acqua. (Fig.13)
2. Assicurare una pendenza del tubo di drenaggio (non meno di 1/100) e che l'acqua non resti intrappolata (Fig.13).
3. Per sostenere il tubo di drenaggio, intervallare supporti ogni 1-1,5 m (Fig.13)

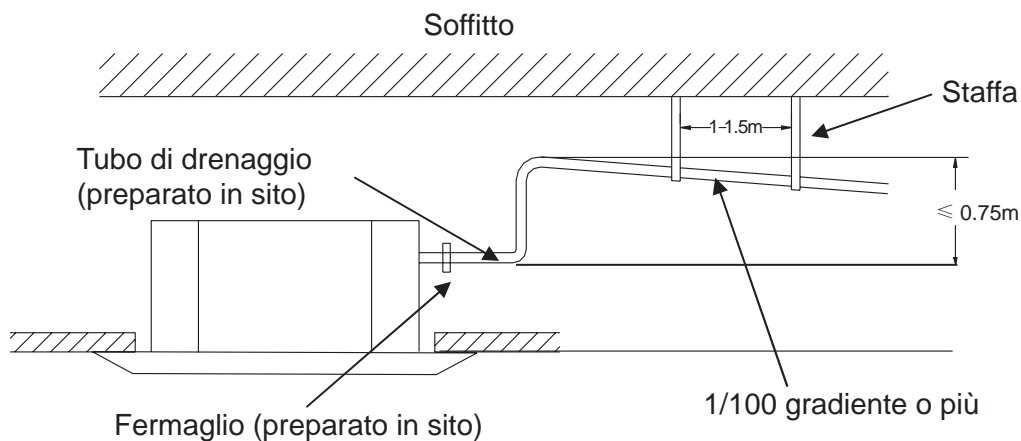
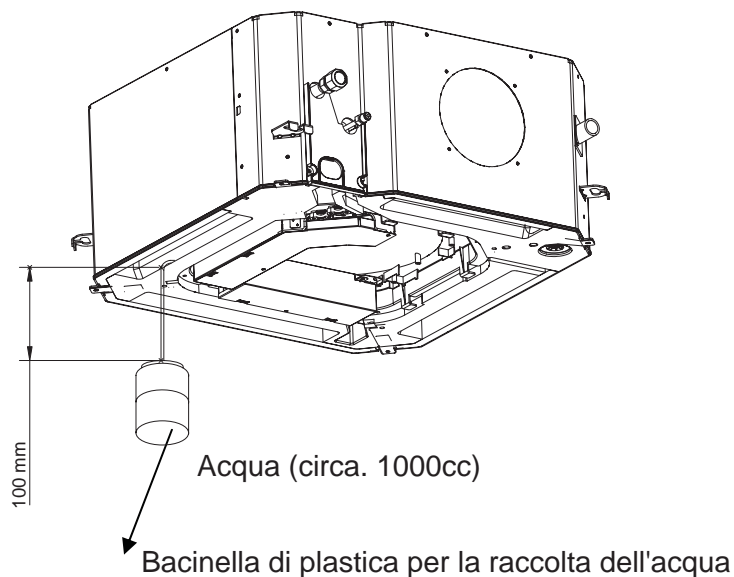


Fig.13

### **Controllo del drenaggio**

1. Dopo aver completato l'installazione elettrica e dei tubi di drenaggio, controllare il drenaggio attenendosi alla seguente procedura. Se necessario, preparare un secchio ed un panno per asciugare l'acqua fuoriuscita.
2. Connettere l'alimentazione elettrica 220V~240VCA ai blocchi terminali (terminali L, N) all'interno della centralina elettrica.
3. Versare lentamente circa 1.000 cc d'acqua nella bacinella di drenaggio (Fig.14).
4. Azionare l'unità in modalità di raffreddamento. Controllare il drenaggio attraverso il foro di drenaggio trasparente per scorgere eventuali fuoriuscite.
5. Terminato il controllo, non dimenticare di interrompere l'alimentazione elettrica.



**Fig.14**

#### **Attenzione!**

Durante questa operazione il ventilatore inizierà a funzionare. Fare attenzione alla ventola.

#### **Terminare la preparazione del drenaggio.**

Dopo il controllo del drenaggio, controllare che il materiale isolante sia avvolto attorno al tubo interno di drenaggio per evitare la condensa. (Il materiale deve essere classificato quale ignifugo M1)

## 9. CONNESSIONI ELETTRICHE FRA UNITÀ INTERNA ED ESTERNA

### Requisiti elettrici

Gli impianti ed i collegamenti elettrici devono essere eseguiti secondo le norme ed i regolamenti elettrici locali da elettricisti qualificati. L'unità di condizionamento d'aria deve essere messa a terra.

Il climatizzatore deve essere connesso ad una presa d'alimentazione elettrica adeguata di un circuito elettrico separato protetto da un teleruttore ritardato, come specificato sulla targa dell'unità. La tensione non deve variare oltre  $\pm 10\%$  della tensione nominale.

1. Per i collegamenti fra le unità esterna ed interna, utilizzare i seguenti cavi elettrici (page 16):
2. Preparare le estremità dei cavi per l'alimentazione elettrica e per quelli di interconnessione fra l'unità esterna ed interna come illustrato rispettivamente nelle figure. 15a e 15b.
3. Collegare le estremità del cavo ai terminali delle unità interna ed esterna, come illustrato in Fig. 16.
4. Fissare il cavo elettrico a fili multipli con i serracavi.

**Note:** Il codice del colore dei fili può essere scelto dall'installatore.

#### • Cavo d'alimentazione elettricat

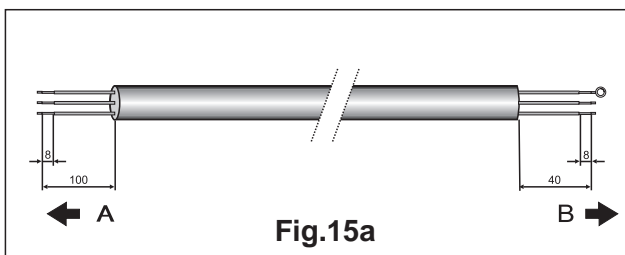


Fig.15a

#### • Cavo di collegamento unità interna ed esterna

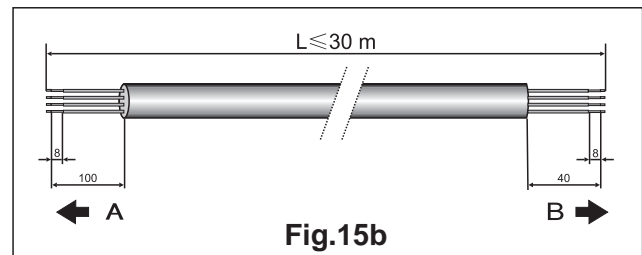
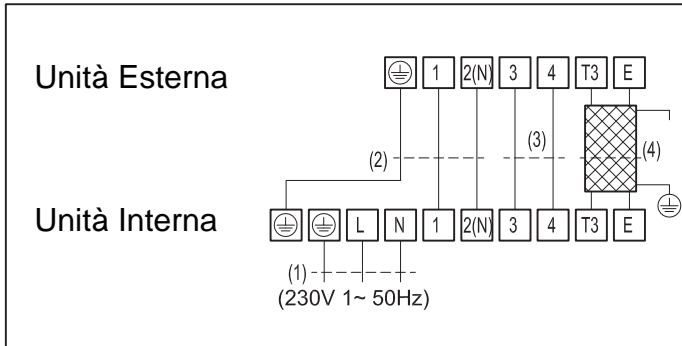


Fig.15b

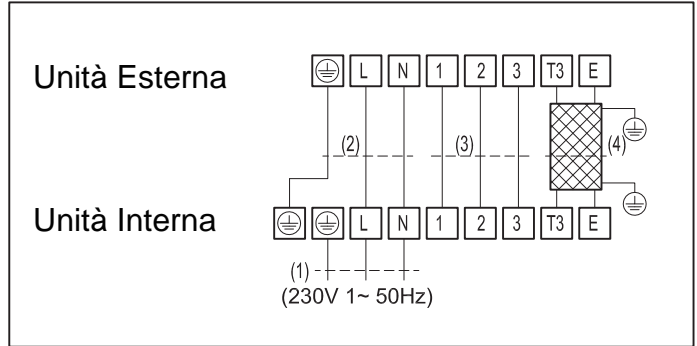
Fig.15 A. Unità esterna B. Unità interna

**TIPO ON-OFF**

12/18 KBtu/h

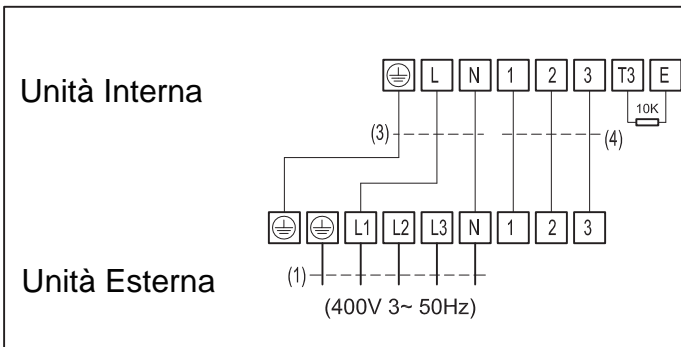


24/30/36 KBtu/h

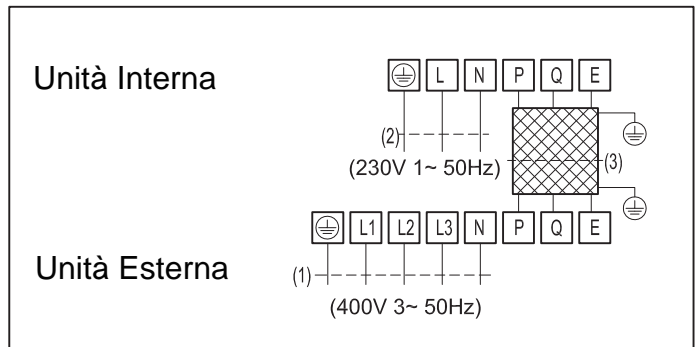


Capacità	12/18K	24K	30K/36K
Parte alimentazione	Unità Interna		
Portata fusibile	16A	25A	30A
1- Cavo ingresso alimentazione(IDU)	3 x 1.5mm <sup>2</sup>	3 x 2.5mm <sup>2</sup>	3 x 4.0mm <sup>2</sup>
2- Cavo di interconnessione	3 x 1.5mm <sup>2</sup>	3 x 2.5mm <sup>2</sup>	3 x 4.0mm <sup>2</sup>
3- Cavo di interconnessione	2 x 1.0mm <sup>2</sup>	3 x 1.0mm <sup>2</sup>	3 x 1.0mm <sup>2</sup>
4- Cavo di interconnessione	2 x 0.5mm <sup>2</sup>	2 x 0.5mm <sup>2</sup>	2 x 0.5mm <sup>2</sup>

36 KBtu/h (3Ph)



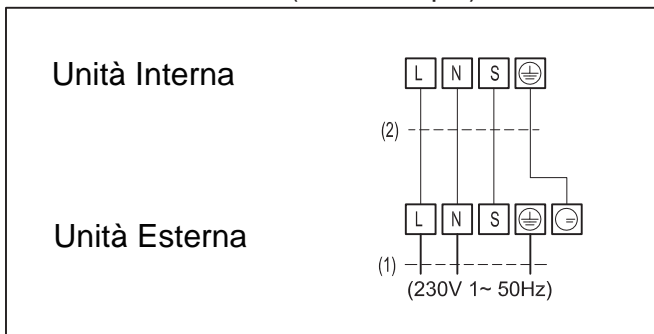
48/60 KBtu/h (3Ph)



Capacità	36K (3Ph)	48K	60K
Parte alimentazione	Unità Esterna	Unità Interna e Unità Esterna	
Portata fusibile (ODU/IDU)	20A /-	25A / 16A	25A / 16A
1- Cavo ingresso alimentazione (ODU)	5 x 2.5mm <sup>2</sup>	5 x 2.5mm <sup>2</sup>	5 x 2.5mm <sup>2</sup>
2- Cavo ingresso alimentazione(IDU)	-	3 x 1.0mm <sup>2</sup>	3 x 1.0mm <sup>2</sup>
3- Cavo di interconnessione	3 x 1.0mm <sup>2</sup>	3 x 0.5mm <sup>2</sup>	3 x 0.5mm <sup>2</sup>
4-Cavo di interconnessione	3 x 1.0mm <sup>2</sup>	-	-

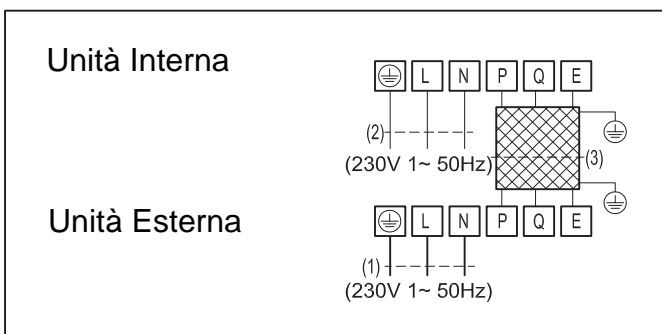
## TIPO INVERTER

12KBtu/h, 18KBtu/h(Per multisplit)

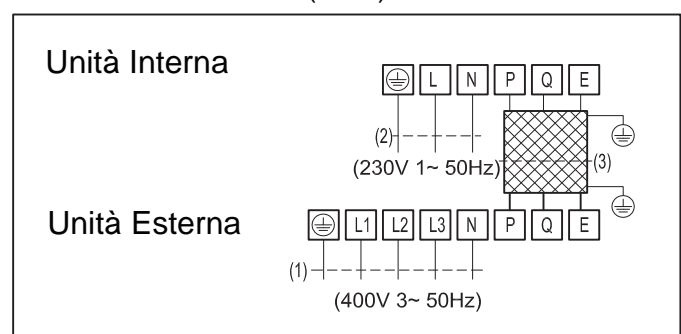


Capacità	12K	18K(Per multisplit)
Parte alimentazione	Unità Esterna	Unità Esterna
Portata fusibile	16A	Unità Esterna
1- Cavo ingresso alimentazione(ODU)	3 x 2.5mm <sup>2</sup>	Unità Esterna
2- Cavo di interconnessione	4 x 1.0mm <sup>2</sup>	4 x 1.0mm <sup>2</sup>

18/24/30/36 KBtu/h



36/48/60 KBtu/h (3Ph)



Capacità	18k	24k	30k	36k
Parte alimentazione	Unità Interna e Unità Esterna			
Portata fusibile (ODU/IDU)	16A / 10A	20A / 10A	30A / 10A	30A / 10A
1- Cavo ingresso alimentazione(ODU)	3 x 2.5mm <sup>2</sup>	3 x 2.5mm <sup>2</sup>	5 x 2.5mm <sup>2</sup>	5 x 4.0mm <sup>2</sup>
2- Cavo ingresso alimentazione(IDU)	3 x 1.0mm <sup>2</sup>	3 x 1.0mm <sup>2</sup>	3 x 1.0mm <sup>2</sup>	3 x 1.0mm <sup>2</sup>
3- Cavo di interconnessione	3 x 0.5mm <sup>2</sup>	3 x 0.5mm <sup>2</sup>	3 x 0.5mm <sup>2</sup>	3 x 0.5mm <sup>2</sup>

Capacità	36k(3Ph)	48K	60K
Parte alimentazione	Unità Interna e Unità Esterna		
Portata fusibile (ODU/IDU)	20A / 10A	25A / 10A	25A / 10A
1- Cavo ingresso alimentazione(ODU)	5 x 2.5mm <sup>2</sup>	5 x 2.5mm <sup>2</sup>	5 x 2.5mm <sup>2</sup>
2- Cavo ingresso alimentazione(IDU)	3 x 1.0mm <sup>2</sup>	3 x 1.0mm <sup>2</sup>	3 x 1.0mm <sup>2</sup>
3- Cavo di interconnessione	3 x 0.5mm <sup>2</sup>	2 x 0.5mm <sup>2</sup>	2 x 0.5mm <sup>2</sup>

## 10. TUBATURA DEL REFRIGERANTE

### Collegamento dell'unità interna a quella esterna

L'unità interna contiene una piccola quantità di azoto. Non svitare i dadi dall'unità, che è fornita con una carica sufficiente di refrigerante (R410A). Fare riferimento alla targhetta dell'unità esterna.

Per evitare schiacciamenti, curvare i tubi con uno strumento apposito.

NOTA: Utilizzare solo tubi di rame per il tipo di refrigerante R410A.

1. Aprire la valvola del coperchio.
2. Il diametro dei tubi deve corrispondere al diametro dei tubi delle unità interna ed esterna. Notare che i tubi del liquido e quelli di aspirazione hanno diametri differenti. (Vedere la tabella delle dimensioni dei tubi e della coppia di serraggio).
3. Collocare dadi a cartella alle estremità dei tubi prima di prepararli con l'apposito strumento (flare a cartella) . Utilizzare i dadi a cartella montati sulle unità esterna ed interna.
4. Collegare tutte le estremità dei tubi alle unità interna ed esterna. Fare attenzione al segnale. Tutte le estremità devono combaciare una per una.
5. Isolate separatamente tutti i tubi ed i relativi collegamenti con materiale isolante dallo spessore di almeno 6 mm. Unire insieme i tubi, il tubo di drenaggio ed i cavi elettrici avvolgendoli con nastro vinilico (Provvisto di protezione UV).

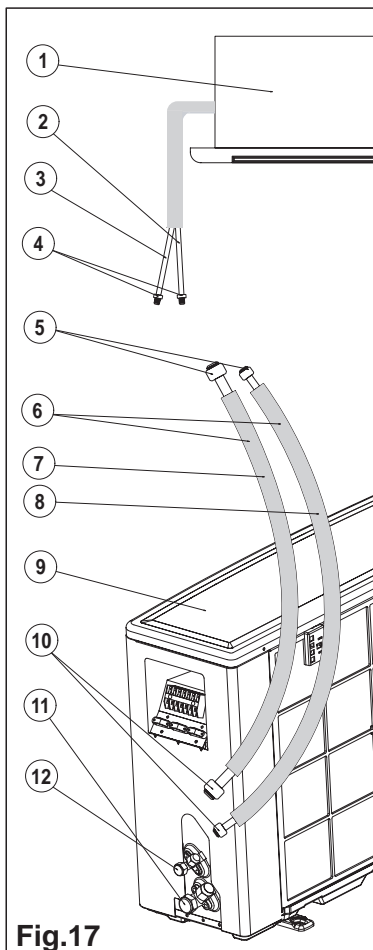


Fig.17

Momento di torsione per il serraggio dei dadi e coperchi valvole:

#### Attenzione!

Svitando i coperchi delle valvole, non mettersi mai di fronte ad essi o all'asse, in quanto il sistema è sotto alta pressione.

#### Fig.17

1. Unità interna
2. Tubo del liquido (dia. piccolo).
3. Tubo di suzione (dia. grande).
4. Spine
5. Dadi flare a cartella
6. Tubi di collegamento fra le unità
7. Tubo di suzione
8. Tubo del liquido
9. Unità esterna
10. Dadi flare a cartella
11. Valvola di suzione (grande)
12. Valvola del liquido (piccola)

DIMENSIONI DEL TUBO	MOMENTO DI TORSIONE
Linea del liquido 1/4"	15-20 N.M.
Linea di aspirazione 3/8"	30-35 N.M.
Linea di aspirazione 1/2"	50-54N.M.
Linea di aspirazione 5/8"	75-78N.M.

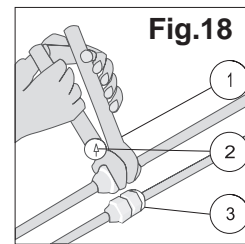


Fig.18

1. Pinza
2. Chiave torsiometrica
3. Giunto

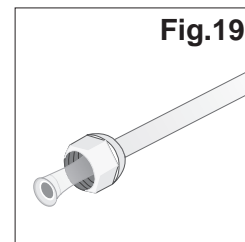


Fig.19

Per prevenire fughe di liquido refrigerante, ricoprire la superficie conica con olio refrigerante

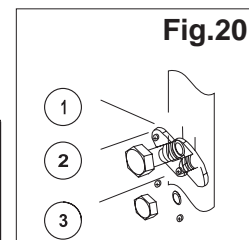


Fig.20

1. Valvola di suzione
2. Apertura di servizio
3. Valvola del liquido
4. Giunto

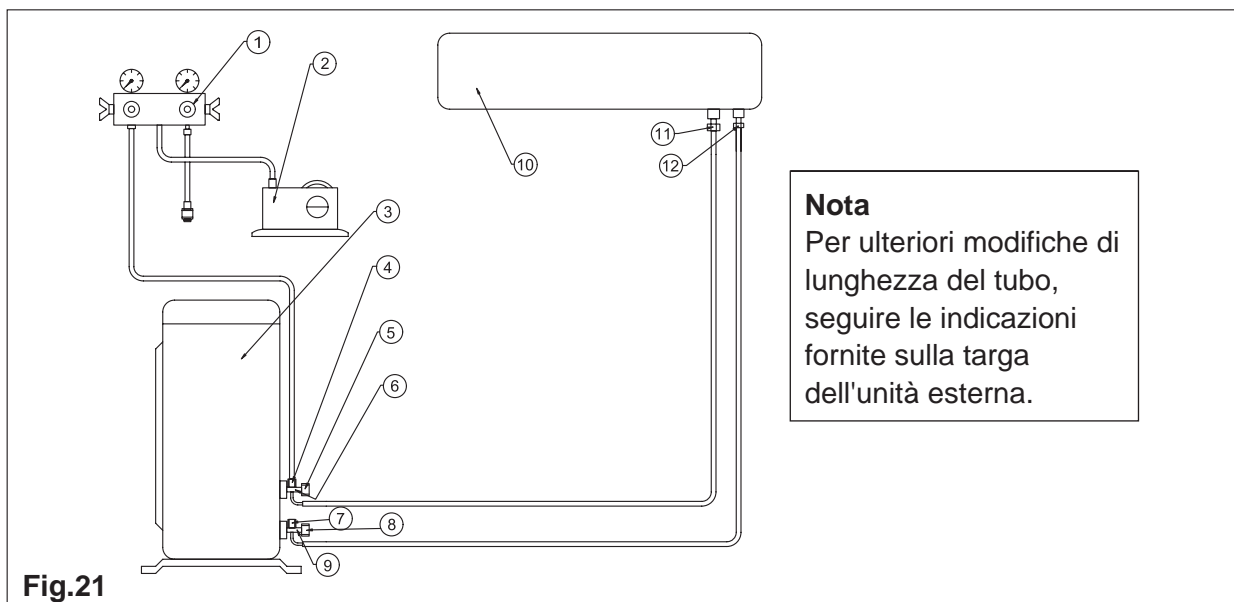


## Creare il sottovuoto nei tubi del refrigerante e nell'unità interna

Dopo aver collegato le estremità delle unità interna ed esterna, evacuare l'aria dai tubi e dall'unità interna nel seguente modo:

1. Collegare i tubi di carica con un perno a spinta al lato inferiore del sistema di carica e all'apertura di servizio della valvola di suzione. Accertare il collegamento dell'estremità del tubo di carica con il perno a spinta al portello di servizio.
2. Collegare il tubo centrale del complesso di carica a una pompa per il vuoto.
3. Accendere l'interruttore della pompa per il vuoto, spegnere l'interruttore sul lato superiore e verificare che l'ago dello strumento si sposti da 0 MPa (0 cm Hg) a 0,1 MPa (-76 cm Hg). Par funzionare la pompa per quindici minuti.
4. Chiudere la valvola del lato inferiore del sistema di carica e spegnere la pompa per il vuoto. Osservare che dopo circa cinque minuti l'ago dello strumento non si muova.
5. Se non si presentano problemi per cinque minuti, accendere l'interruttore elettrico della pompa per il vuoto ed aprire la valvola della parte inferiore del complesso di carica.
6. Disconnettere il tubo di carica dalla pompa per il vuoto e dalle aperture di servizio della valvola di aspirazione.
7. Stringere i tappi dell'apertura di servizio della valvola di aspirazione.
8. Ripetere da 1 a 7 per le altre unità interne.
9. Rimuovere i tappi da tutte le valvole ed aprirle usando una chiave esagonale Allen.
10. Rimontare tutti i tappi a tutte le valvole.
11. Controllare eventuali fughe di gas in ogni punto di collegamento.

Fare il controllo con un rivelatore di fughe o con una spugna imbevuta di acqua saponata.

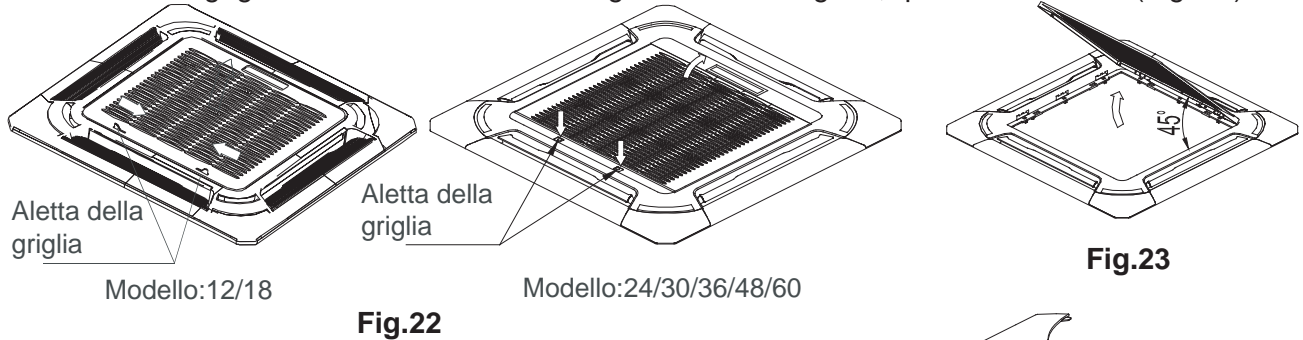


- |                         |                           |                              |
|-------------------------|---------------------------|------------------------------|
| 1. Set di carica        | 5. Coperchi               | 9. Valvola del liquido       |
| 2. Pompa per il vuoto   | 6. Valvola di suzione     | 10. Unità interna            |
| 3. Unità esterna        | 7. Apertura di servizio * | 11. Giunto flare per suzione |
| 4. Apertura di servizio | 8. Coperchio              | 12. Giunto flare per liquido |
- \* Solo in alcuni modelli

## 11. INSTALLAZIONE DEL PANNELLO

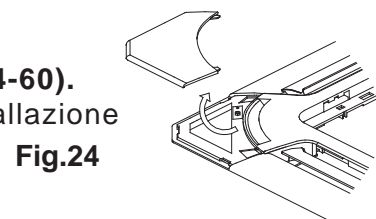
### Rimozione della griglia:

1. Premere contemporaneamente le due alette della griglia nella direzione indicata e sollevarle. (Fig. 22)
2. Tirare la griglia verso l'alto fino ad un angolo di circa 45 gradi, quindi rimuoverla. (Fig. 23)



### Rimuovere i coperchi degli angoli (per il modello 24-60).

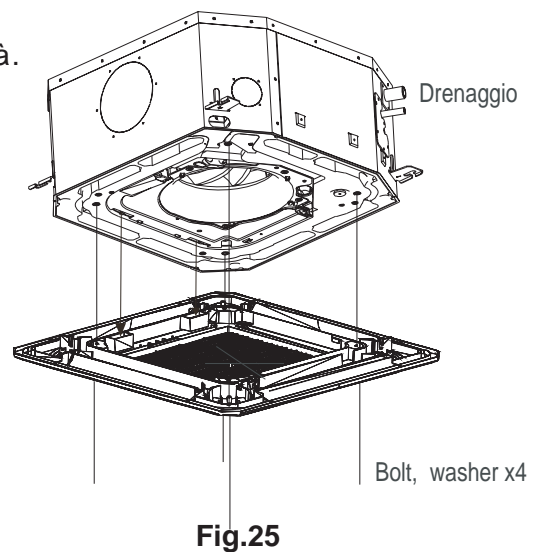
Svitare i bulloni, allentare la corda dei coperchi di installazione e rimuoverli. (Fig. 24)



### Installazione del pannello

#### Modello 12-18:

1. Allineare correttamente il motore di brandeggio sul pannello ai raccordi dei tubi del corpo dell'unità. (Fig. 25)
2. Agganciare le quattro corde fisse del corpo principale al coperchio di installazione e agli altri tre coperchi del motore di brandeggio. (Fig. 25)
3. Installare il pannello sul corpo principale utilizzando dadi (M5x16) e rondelle.
4. Regolare i 4 dadi in modo da mantenere il pannello in posizione orizzontale, poi avvitare i dadi fino a quando lo spessore della spugna presente tra il corpo principale e il pannello non sia di circa 4~6 mm. (Fig. 27)



#### Modello 24-60:

1. Allineare correttamente il motore di brandeggio del pannello ai raccordi dei tubi del corpo dell'unità. (Fig. 26)
2. Fissare i ganci del pannello al motore di brandeggio e i lati opposti ai ganci del corrispondente raccoglitore dell'acqua. (Fig. 26-1)
3. Agganciare gli altri due ganci del pannello ai corrispondenti ganci del corpo. (Fig. 26-2)
4. Regolare le quattro viti dei ganci del pannello in modo che il pannello sia in posizione orizzontale e avvitarle uniformemente fino al soffitto. (Fig. 26-3)
5. Regolare delicatamente il pannello nella direzione indicata dalla freccia della Fig. 26-4 in modo che il centro del pannello corrisponda al centro dell'apertura del soffitto.

Assicurarsi che i ganci dei quattro angoli siano fissati correttamente.

6. Avvitare i dadi sotto i ganci del pannello fino a quando lo spessore della spugna presente tra il corpo principale e il pannello stesso non sia di circa 4~6 mm. (Fig. 27)

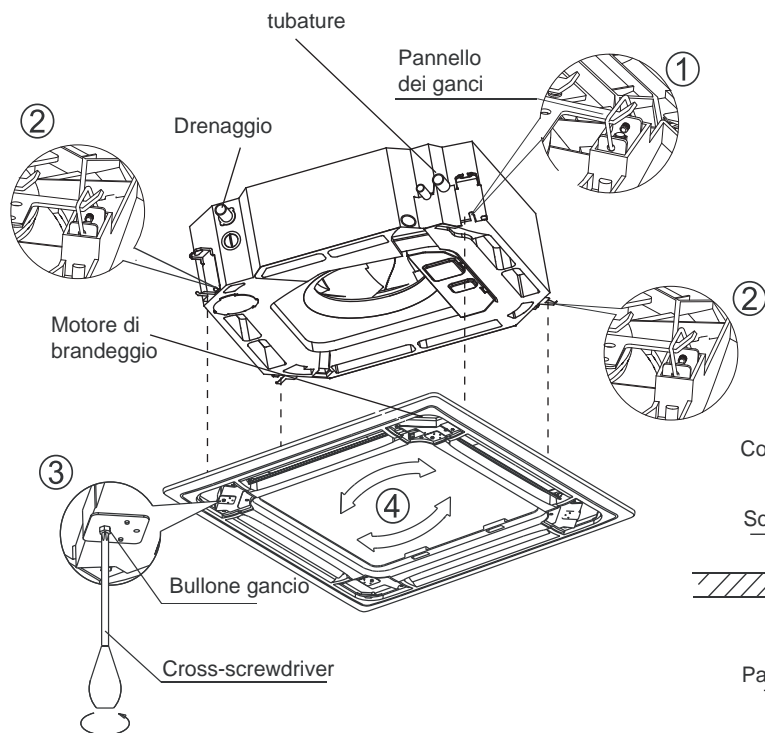


Fig.26

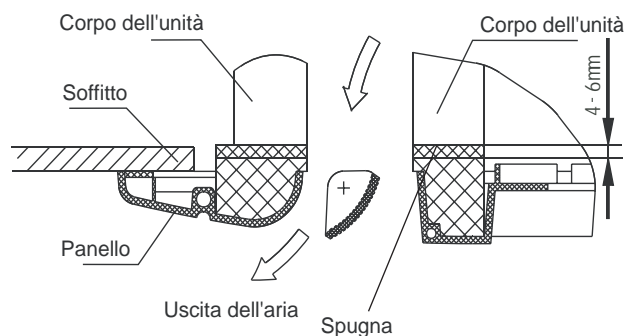


Fig.27

### Riposizionamento della Griglia

1. Agganciare la griglia al pannello, quindi collegare i cavi del motore di brandeggio e del display ai relativi connettori presenti sul corpo dell'unità.
2. Riposizionare la griglia per l'aria in ingresso eseguendo al contrario la procedura descritta in precedenza.

### Riposizionamento del coperchio dell'angolo

1. Fissare la corda del coperchio dell'angolo sulla vite del coperchio stesso. (Fig. 28)
2. Premere leggermente il coperchio sul pannello. (Fig. 28)

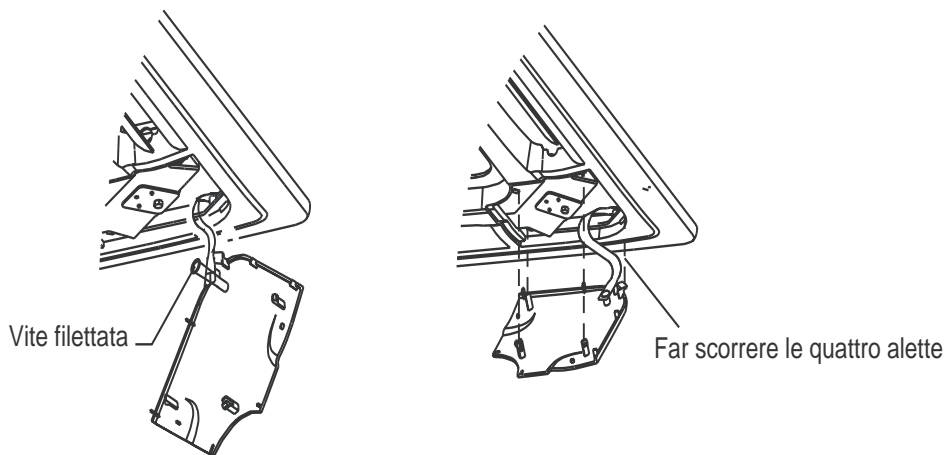


Fig.28

## 12. AZIONI FINALI

1. Verificare tutti i coperchi delle valvole ed assicurare che siano stati serrati adeguatamente.  
Chiudere il coperchio della valvola.
2. Otturare i divari tra i fori sulle pareti ed i tubi con materiale ermetizzante.
3. Fissare conduttori e tubi alla parete con morsetti dove necessario.
4. Mettere in funzione l'unità per non meno di 5 minuti in modalità di riscaldamento o di raffreddamento.
5. Spiegare all'utente come rimuovere il filtro, pulirlo e rimontarlo.
6. Spiegare all'utente tutte le funzioni del condizionatore durante il suo funzionamento.
7. Consegnare all'utente i manuali per l'uso e l'installazione.

# **БЛОК ДЛЯ КОНДИЦИОНИРОВАНИЯ ВОЗДУХА**

**R410A**



**РУССКИЙ**

**Блок внутреннего типа**

## СОДЕРЖАНИЕ

<b>1. ИНСТРУМЕНТЫ, НЕОБХОДИМЫЕ ДЛЯ УСТАНОВКИ.....</b>	<b>2</b>
<b>2. МЕРЫ БЕЗОПАСНОСТИ.....</b>	<b>2</b>
<b>3. ИНСТРУМЕНТЫ ДЛЯ УСТАНОВКИ \ ОБСЛУЖИВАНИЯ (только R410a).....</b>	<b>4</b>
<b>4. ПРИНАДЛЕЖНОСТИ.....</b>	<b>5</b>
<b>5. ДОПОЛНИТЕЛЬНЫЕ ПРИНАДЛЕЖНОСТИ.....</b>	<b>6</b>
<b>6. РАЗМЕЩЕНИЕ ВНУТРЕННЕГО И ВНЕШНЕГО АГРЕГАТОВ.....</b>	<b>6</b>
<b>7. УСТАНОВКА ВНУТРЕННЕГО АГРЕГАТА.....</b>	<b>9</b>
<b>8. ПРИСОЕДИНЕНИЕ ТРУБКИ ДЛЯ ОТВОДА КОНДЕНСАТА.....</b>	<b>14</b>
<b>9. ЭЛЕКТРИЧЕСКИЕ СОЕДИНЕНИЯ МЕЖДУ ВНУТРЕННИМ И ВНЕШНИМ АГРЕГАТАМИ.....</b>	<b>16</b>
<b>10. ТРУБОПРОВОД ХЛАДАГЕНТА.....</b>	<b>19</b>
<b>11. УСТАНОВКА ПАНЕЛИ.....</b>	<b>21</b>
<b>12. ЗАВЕРШАЮЩИЕ ОПЕРАЦИИ.....</b>	<b>23</b>

Систему нельзя устанавливать в прачечной

Прим.:

Данное руководство относится к однокомпонентным приложениям.  
Для многокомпонентных приложений следует использовать инструкции по установке, поставляемые в комплекте с внешним агрегатом.

В содержание данного руководства в любой момент могут быть внесены изменения

## 1. ИНСТРУМЕНТЫ, НЕОБХОДИМЫЕ ДЛЯ УСТАНОВКИ

1. Твёртка	7. Нож	13. Торцевой ключ
2. Электродрель, сверло (Ф 60 мм)	8. Детектор утечки газа	18 Н • м (1.8 кгс.м)
3. Шестигранный ключ	9. Измерит. лента	35 Н • м (3.5 кгс.м)
4. Гаечный ключ	10. Термометр	55 Н • м (5.5 кгс.м)
5. Нож для резки труб	11. Мегаметр	14. Вакуумный насос
6. Развёртка	12. Мультиметр	15. Манометр (для R-410A)

## 2. МЕРЫ БЕЗОПАСНОСТИ

- Установка должна быть завершена в соответствии с местными и национальными требованиями по электрической и пожарной безопасности зданий.
- Перед установкой внимательно прочтите раздел "МЕРЫ ПРЕДОСТОРОЖНОСТИ".
- Электропроводка должна устанавливаться только профессиональным специалистом-электриком. Перед установкой следует убедиться в правильном выборе типа сетевого шнура и вилки в зависимости от типа устанавливаемой модели.
- Необходимо строго следовать указанным здесь инструкциям, поскольку они имеют непосредственное отношение к Вашей собственной безопасности. Значения условных знаков представлены ниже. Неправильная установка в виду игнорирования представленных здесь инструкций может привести к материальному ущербу или ущербу для Вашего здоровья, о серьёзности
- После установки следует провести проверочный тест, чтобы убедиться в том, что все компоненты были установлены правильно. Затем, необходимо объяснить пользователю как в соответствии с инструкциями пользоваться агрегатом, как его обслуживать. Пожалуйста, напомните пользователю оставить руководство по эксплуатации для дальнейшего использования.

### ВНИМАНИЕ

- 1) Установкой системы должен заниматься квалифицированный инсталлятор. Иначе установка может закончиться поражением электрическим током, утечкой воды или эстетическими проблемами.
- 2) Устанавливать агрегат на твёрдой и ровной поверхности, способной выдержать вес системы. Если поверхность не рассчитана на вес системы, она может упасть и причинить физические повреждения.
- 3) В процессе установки электропроводки необходимо следовать общенациональным требованиям и инструкциям данного руководства. Должны использоваться отдельная розетка и независимая часть электросети. В случае, если мощность сети окажется недостаточной или электропроводка будет установлена неправильно, это может привести к поражению током или пожару.
- 4) Использовать только указанный тип кабеля, который необходимо жёстко закрепить к внешнему и внутреннему соединениям. Жёстко соединить и закрепить зажимами, чтобы на кабель не могли воздействовать какие бы то ни было внешние силы. Если соединение или зажим установлены недостаточно жёстко, место соединения будет нагреваться и может привести к возгоранию.
- 5) Расположение проводки следует выбирать таким образом, чтобы крышка блока управления легко закрывалась. Если крышка блока управления установлена неправильно, это может привести к нагреванию в точке соединения с кабелем, поражению электрическим током или

- 6) При установке трубопроводов системы не допускать в охлаждающий цикл никаких посторонних воздушных смесей, за исключением специально указанной. В противном случае, система не сможет работать на полную мощность, может значительно повышаться давление в охлаждающем цикле, что, в свою очередь, может привести к взрыву и ущербу для здоровья.
- 7) Оберегать сетевой шнур от повреждений. Использовать сетевой шнур только указанного типа. В противном случае, это может привести к поражению электрическим током или пожару.
- 8) Не удлинять сетевой шнур, не использовать сетевой удлинитель, не использовать розетку подключения агрегата для параллельного подключения других электроприборов. Это может привести к поражению электрическим током или пожару.
- 9) Оборудование должно быть заземлено. Отсутствие правильного заземления может привести к поражению электрическим током.
- 10) Не устанавливать систему в местах, где возможна утечка легковоспламеняющегося газа. В случае утечки газа и скопления его вокруг агрегата, может произойти взрыв.
- 11) Проводку дренажных труб осуществлять точно в соответствии с инструкциями, представленными в руководстве по установке. При отсутствии надлежащего дренажа, вода может попасть в комнату и испортить пол и мебель.
- 12) Оборудование, оснащённое дополнительными нагревателями, должно устанавливаться как минимум с 50-ти сантиметровым зазором от легковоспламеняющихся веществ. В противном случае оно может послужить причиной возгорания.

## ВНИМАНИЕ

- 1) Выбор места установки.  
Для установки системы следует выбрать место, достаточно ровное и жёсткое, способное выдержать весь агрегат, а также обеспечивающее лёгкий доступ к системе в случае необходимости её обслуживания или ремонта.
- 2) Подключение комнатного кондиционера к сети электропитания.  
Присоединить сетевой шнур кондиционера к сети электропитания одним из следующих способов.  
Точкой подключения к электросети должно быть место, обеспечивающее лёгкий доступ и возможность выключение питания в случае необходимости.  
В некоторых странах запрещено постоянно держать кондиционер данного типа подключённым к сети электропитания.
- 3) Не выпускать хладагент.  
Не выпускать хладагент во время установки, переустановки или в процессе обслуживания компонентов охлаждающей системы. Осторожно! Вещество может вызвать сильное обморожение!
- 4) Процесс инсталляции. Для установки системы могут понадобиться услуги двух человек.
- 5) Не устанавливать систему в постирочной комнате и т.п., в местах, где вода может капать с потолка и проч.



## 3. ИНСТРУМЕНТЫ ДЛЯ УСТАНОВКИ \ ОБСЛУЖИВАНИЯ (только R410a)

**ВНИМАНИЕ**

Установка кондиционера воздуха, использующего хладагент нового типа.

ДАННЫЙ КОНДИЦИОНЕР ИСПОЛЬЗУЕТ НОВЫЙ **HFC АГЕНТ (R410A)**, КОТОРЫЙ НЕ СПОСОБСТВУЕТ РАЗРУШЕНИЮ ОЗОНОВОГО СЛОЯ. хладагент R410A в значительно большей степени подвержен влиянию посторонних примесей, таких как вода, оксидная плёнка, различного рода масла, поскольку рабочее давление R410A примерно в 1.6 раза больше, чем у R22. В связи с использованием нового типа хладагента, холодильная установка данной системы заправлена маслом другого типа. Таким образом, во время установки следует убедиться, что вода, пыль, использовавшийся ранее хладагент или масло системы охлаждения не попали в систему циркуляции нового вещества R410A.

В целях предотвращения вероятности смешивания старого и нового хладагентов и масел, размеры соединительных секций порта зарядки основного агрегата, а также инструменты для установки имеют размер, отличный от размеров соединений и инструментов, используемых на других типах кондиционеров. Соответственно, для установки и обслуживания новых систем (R410A) требуется специальный набор инструментов. Для присоединения трубопроводов следует использовать новые и чистые трубы с насадками для работы в условиях высокого давления, специально разработанными для использования с системой R410A. В процессе установки не допускать попадание в сеть воды и/или пыли. Кроме того, не рекомендуется использовать оставшиеся у Вас от прошлой системы трубы, поскольку у прежних типов труб есть некоторые проблемы с насадками давления, существует вероятность того, что они могут быть грязными внутри.





Изменения в продукте и его компонентах

В кондиционерах, использующих вещество R410A, в целях предотвращения вероятности зарядки хладагента какого-либо другого типа, изменён диаметр входящего порта контрольного клапана внешнего агрегата (3 направления). (1/2 UNF 20 нарезов на дюйм)

- В целях повышения уровня сопротивления давлению в трубопроводе хладагента диаметр развальцовки труб и размеры соответствующих гаек были изменены (для медных труб номинальным диаметром 1/2 и 5/8)



Новые инструменты для **R410A**

Новые инструменты	Применимость к модели R22	Изменения
Манометр	×	 Поскольку давление в системе очень большое, его невозможно измерить обычными приборами. Для предотвращения зарядки хладагента другого типа были изменены диаметры портов.
Шланг для заправки	×	 В целях повышения уровня сопротивления давлению, были использованы другие материалы для шланга и размеры портов (1/2 UNF 20 нарезов на дюйм). При покупке шланга для зарядки убедитесь в правильности размеров портов.
Электронные весы для заправки		 Ввиду большого давления и большой скорости зарядки хладагента могут появиться пузыри воздуха и бывает трудно определить необходимую величину при помощи зарядного цилиндра
Торцевой ключ (ном. диаметр 1/2, 5/8)	×	 Увеличен размер противоположных гаек. Иногда, для номинальных диаметров 1/4 и 3/8 может использоваться обычный ключ
Инструмент для развальцовки (зажим)	○	 Путём увеличения диаметра захвата были улучшены показатели жёсткости пружины инструмента
Прибор для измерения параметров раструба	—	Используется в случае применения обычного инструмента для развальцовки

Адаптер к вакуумному Насосу			Присоединяется к обычному вакуумному насосу. Адаптер нужно использовать в целях предотвращения возвращения потока масла из вакуумного насоса в шланг для заправки. Соединительная часть шланга для заправки состоит из двух портов – один для обычного хладагента (7/16 UNF 20 нарезов на дюйм) и один для R410A. Если масло вакуумного насоса (минерального происхождения) смешается с R410A, может образоваться осадок, который повредит оборудование
Детектор утечки газа			Исключительно для HFC хладагентов

- Цилиндр, содержащий хладагент может иметь обозначение (R410A) и защитное покрытие розового цвета, определённое US ARI (код цвета ARI: PMS 507)
- Кроме того, для "порта зарядки и установки цилиндра с хладагентом" необходимо 1/2 UNF 20 нарезов на дюйм, что соответствует размеру порта шланга.

#### 4. ПРИНАДЛЕЖНОСТИ

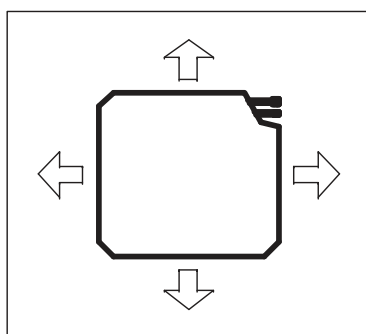
No.	Компонент	Кол	No.	Компонент	Кол
	Набор документации 	1		сетевой шнур (дополнительно.) 	1
	Пульт ДУ с батарейками 	1		Картонная пластина для установки (доп.) 	1
	Скоба для крепления пульта ДУ 	1		Стойка для крепления агрегата 	2
	шурупы шайбы пробки 	6or 4		Двухжильный кабель (доп.) 	1
	соединитель системы дренажа внешнего агрегата 	1			

## ДОПОЛНИТЕЛЬНЫЕ ПРИНАДЛЕЖНОСТИ

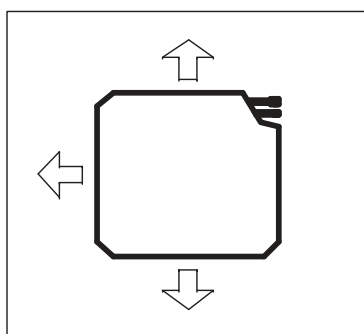
### РАЗМЕЩЕНИЕ ВНУТРЕННЕГО И ВНЕШНЕГО АГРЕГАТОВ

Кондиционер может быть оснащён системой вывода воздуха, имеющей 2 или 3 направления в зависимости от места установки. Для закрытия соответствующих отверстий для воздуха следует использовать уплотняющий материал, поставляемый в комплекте принадлежностей.

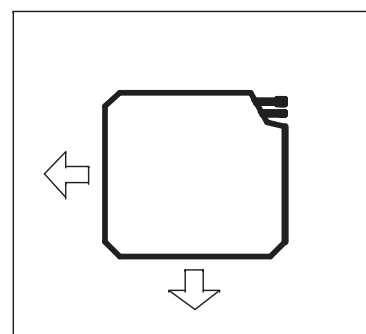
Направление потока воздуха (пример)



4 направления  
(заводская установка)



3 направления



2 направления

### ВНУТРЕННИЙ АГРЕГАТ

- 1 Не устанавливать блок в помещении, где хранятся газообразные вещества, кислоты или легковоспламеняющиеся продукты - это может привести к повреждению алюминиевых и медных испарителей, а также внутренних пластиковых элементов конструкции.
- 2 Не устанавливать блок в мастерской или на кухне. Испарения масла, которые притягиваются к обработанному воздуху, могут образовывать отложения на испарителях блока и приводить к ухудшению её производительности или повреждению её внутренних пластиковых элементов.
- 3 Не устанавливать блок в прачечной или в помещении, в котором постоянно присутствует пар.
- 4 Система должна устанавливаться таким образом, чтобы обеспечить свободный доступ к штепсельной вилке.

Процесс установки блока может быть облегчён путём использования вилочного погрузчика. Использовать основу упаковки, разместив её между захватами погрузчика и блоком.

Рекомендуется устанавливать блок, насколько это возможно, в центре помещения для оптимизации распределения обработанного воздуха.

7. С учётом выбранного места установки следует убедиться в том, что распределительные решётки можно снять и что существует достаточно места для обслуживания и ремонта.

## ВНЕШНИЙ АГРЕГАТ

- 1 Место установки должно обеспечивать свободный доступ для обслуживания, а также свободную циркуляцию воздуха, как показано на рис. 4.
- 2 Блок может устанавливаться на стене при помощи специальной скобы (в комплект поставки не входит), либо на полу (желательно немного выше уровня пола).
- 3 Если блок предполагается устанавливать на стене, следует убедиться в том, что скоба обеспечивает надёжное крепление, а стена достаточно прочная с точки зрения устойчивости к вибрации.
- 4 Агрегат не должен причинять беспокойства соседям своим шумом или потоком отработанного воздуха.
- 5 Установить прокладки под стойки агрегата.
- 6 См. рис. 4 для получения информации о разрешённых расстояниях.

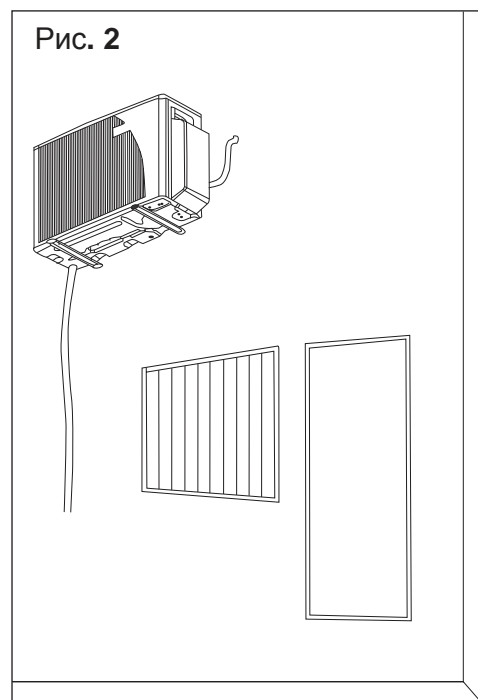
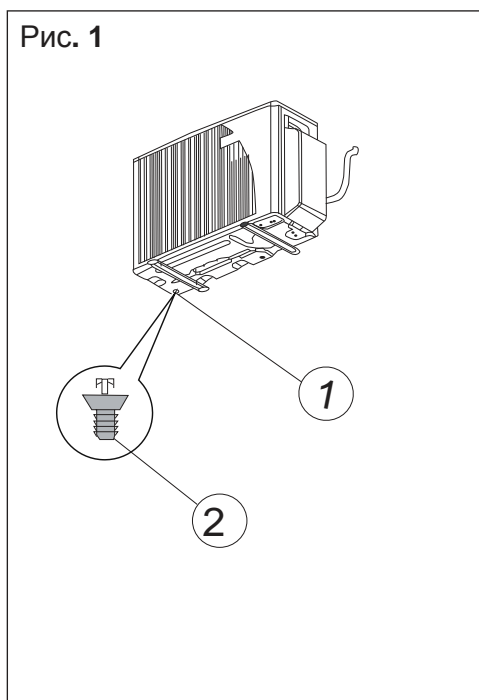
В случае установки блока на стене, установка дренажного шланга и дренажной заглушки должна производиться в соответствии с рис. 1 и 2.

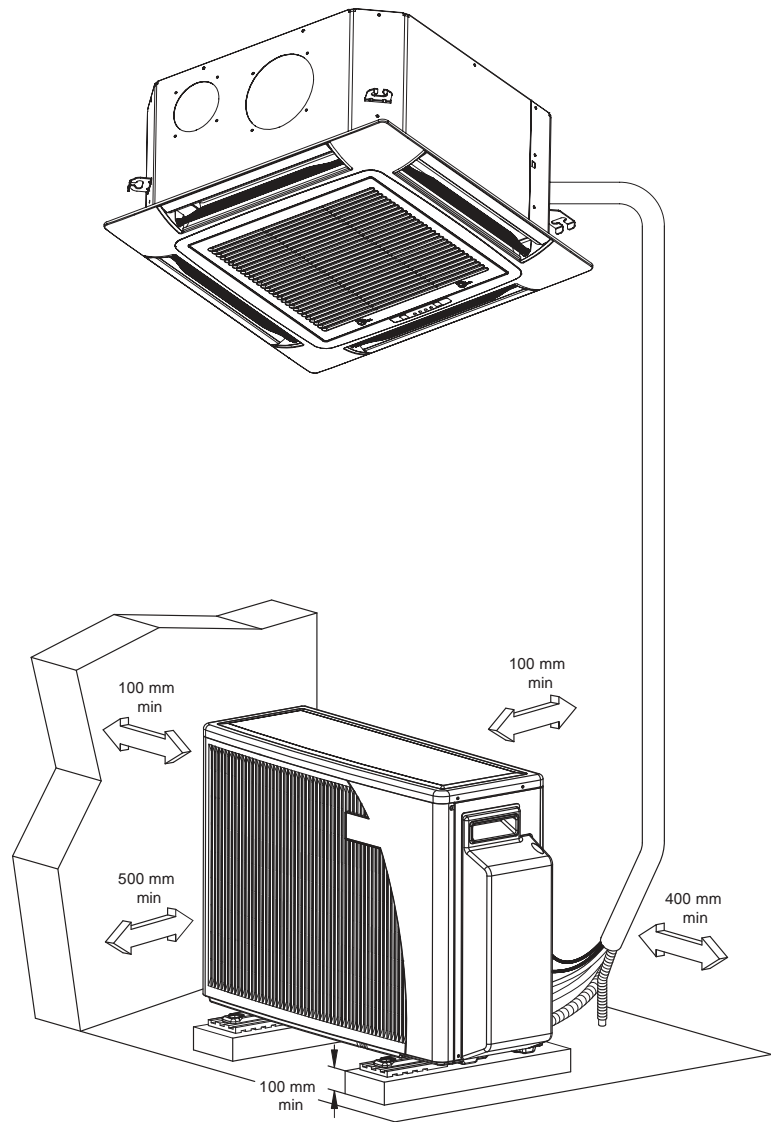
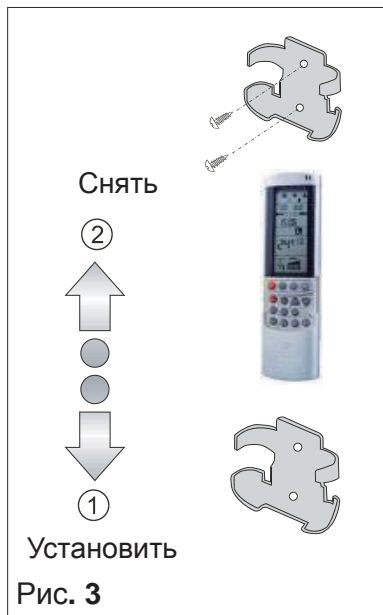
Рис. 1

1. Нижняя панель внешнего агрегата
2. Дренажный разъём

Рис. 2

- Установка дренажной системы  
Пример:





MAXIMUM PIPES LENGTH & HEIGHT (TYPE ON-OFF)

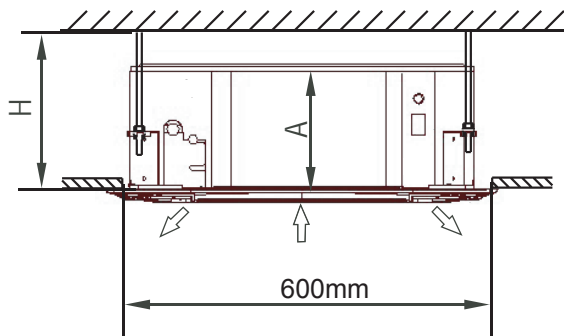
номинальная (КВтu/h)	Труба Жидкость - газ (Inch)	A- L.MAX (m)	B - H.MAX (m)	LENGTH OF PRECHARGE (m)	ADDITIONAL CHARGE (g/m)
12	1/4"-1/2"	20	10	5	15
18	1/4"-1/2"	25	15	5	15
24	3/8"-5/8"	25	15	5	30
30	3/8"-3/4"	25	15	5	30
36	3/8"-3/4"	30	20	5	30
48/60	3/8"-3/4"	50	25	5	30

MAXIMUM PIPES LENGTH & HEIGHT (TYPE INVERTER)

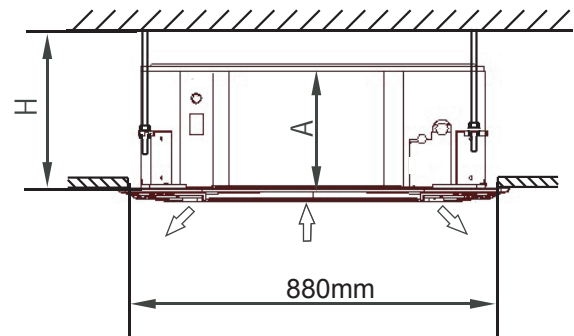
номинальная (КВтu/h)	Труба Жидкость - газ (Inch)	A- L.MAX (m)	B - H.MAX (m)	LENGTH OF PRECHARGE (m)	ADDITIONAL CHARGE (g/m)
12	1/4"-3/8"	20	10	5	15
18	1/4"-1/2"	30	20	5	15
24/30	3/8"-5/8"	50	25	5	30
36/48/60	3/8"-5/8"	65	25	5	30

## 7 УСТАНОВКА ВНУТРЕННЕГО АГРЕГАТА

1. Выбор размера ниши для установки на потолке  
 Установка на подвесном потолке (стандартные панели 60x60 см):  
 Поскольку агрегат представляет собой блок небольшого размера, нет необходимости вырезать нишу в потолке, следует лишь удалить с потолка соответствующую панель.
2. Установка на жёстком потолке:  
 Вырезать в потолке нишу необходимого для установки блока размера; ниже представлено отношение размеров ниши в потолке к агрегату и панели (рис. 5).

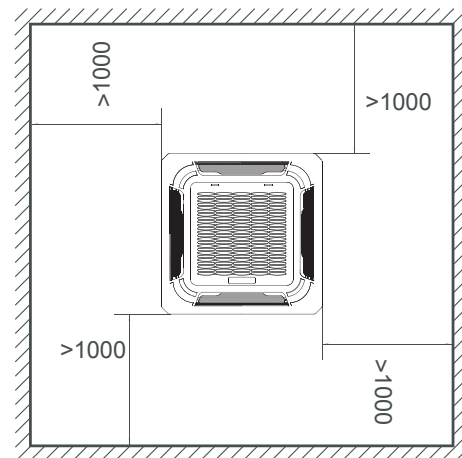
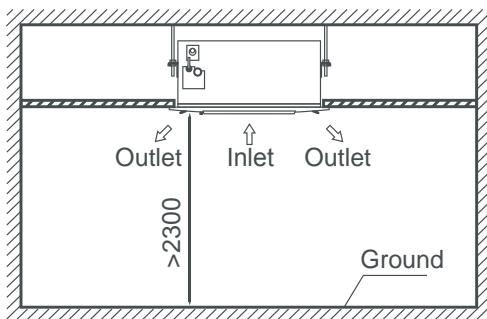


Модель 12-18



Модель 24-60

Рис. 5



### ON-OFF

номинальная (KBtu/h)	A	H
12-18	270mm	>280mm
24	205mm	>235mm
30-48	245mm	>275mm
60	287mm	>317mm

### INVERTER

номинальная (KBtu/h)	A	H
12-18	270mm	>280mm
24-36	245mm	>275mm
48-60	287mm	>317mm

Установка внутреннего агрегата

1. Для определения места расположения подвесных болтов следует использовать шабл (поставляется в комплекте с панелью). Отношения размеров показаны на рис. 7 и Рис. 5

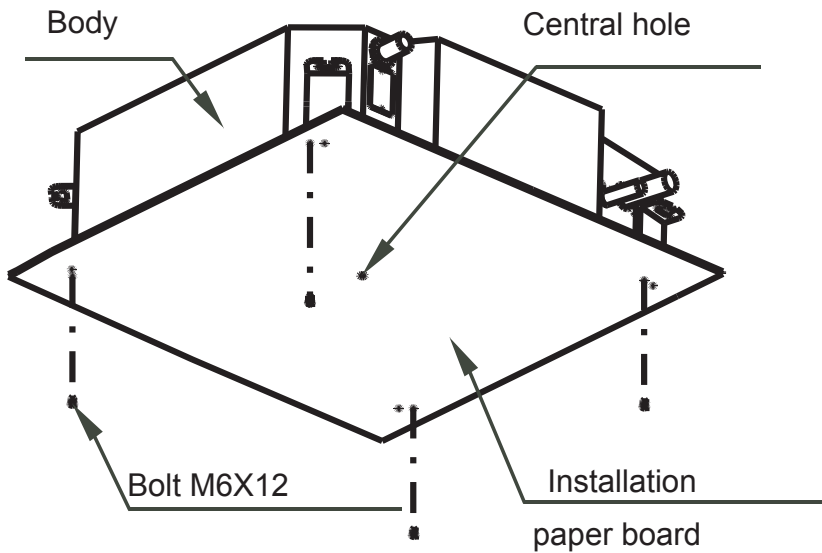


Рис. 6

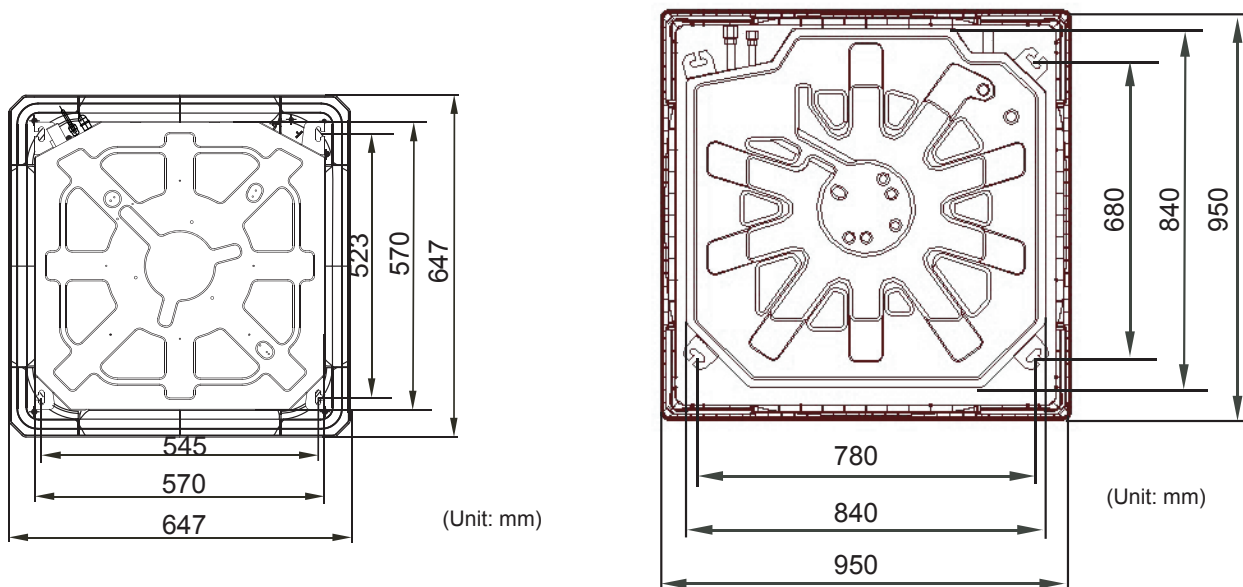


Рис. 7

2. Трубопроводы и электропроводка внутри потолка должны быть подготовлены заранее установки агрегата.

3. Длина подвесных болтов должна соответствовать расстоянию от нижнего края болта до нижней панели агрегата (более 15 мм), как показано на рис. 8.

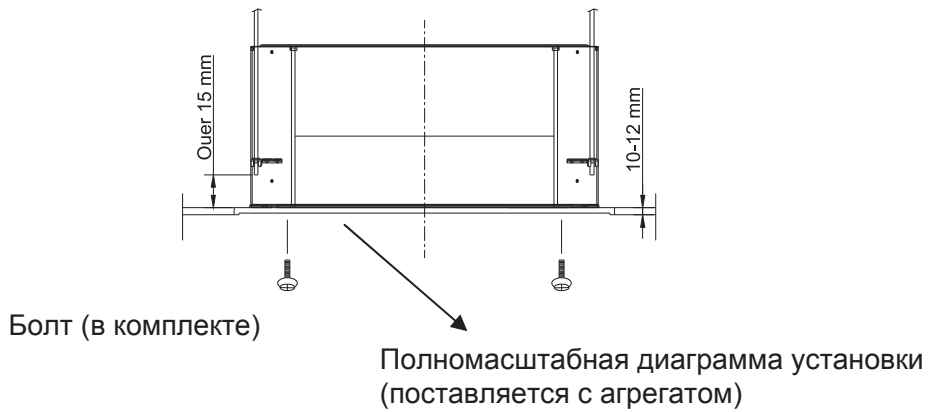


Рис. 8

4. В целях предотвращения возможных зазоров в креплении, для каждого подвесного болта рекомендуется использовать 3 шестигранные гайки (приготовленные на месте) и 2 шайбы (из комплекта принадлежностей). Следует обратить внимание на то, что 2 гайки из указанных выше должны быть использованы в нижней части (рис. 9).
5. Установить расстояние между поверхностью потолка и агрегатом в пределах 10 – 12 мм. Жёстко затянуть все гайки на подвесных болтах (рис. 9).

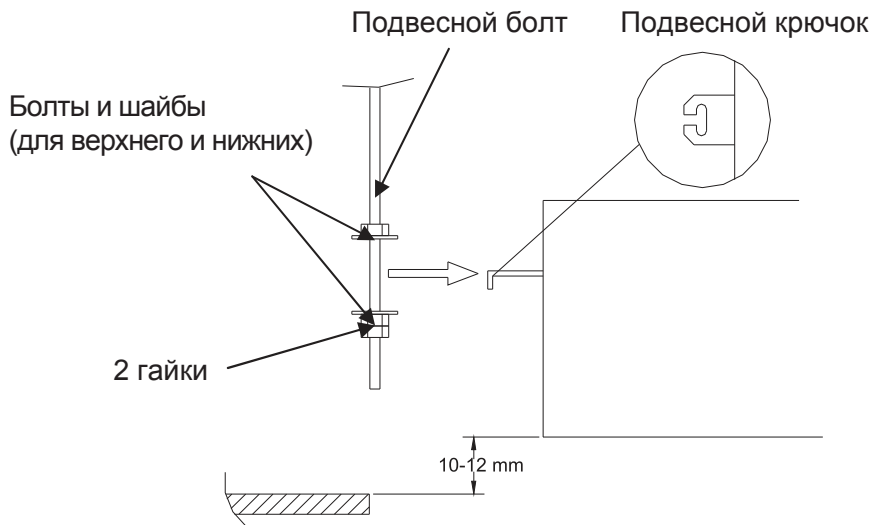


Рис. 9



## Установка воздуховодов

1. Агрегат имеет боковые отверстия для установки отдельных воздуховодов для забора воздуха снаружи и направления обработанного воздуха в прилегающее помещение.
2. Выбить перфорированные отверстия, расположенные на боковой стенке корпуса. Используя нож сделать отверстие необходимого размера в слое полистирола, находящегося с внутренней стороны корпуса.

**ОСТОРОЖНО!** Не повредите катушку теплообменника, которая также располагается позади отверстий.

Заполните зазоры между воздуховодами и краями отверстий изоляционным материалом, препятствующим образованию конденсата.

Используйте материал, невосприимчивый к постоянной рабочей температуре в 60 оС. Воздуховоды могут быть гибкими с пружинным сердечником или из волнистого листового алюминия, покрытого изоляционным материалом (слой стекловолна толщиной 12 – 25 мм).

5. После завершения установки все неизолированные поверхности воздуховодов должны быть покрыты слоем изоляционного материала, препятствующего образованию конденсата (6 мм слой пено-полистирола или пено-неопрена. Противопожарная классификация: М1.

**В СЛУЧАЕ НЕВЫПОЛНЕНИЯ УКАЗАННЫХ ВЫШЕ ИНСТРУКЦИЙ БУДЕТ ПРОИСХОДИТЬ ОБРАЗОВАНИЕ И СКОПЛЕНИЕ КОНДЕНСАТА.**

6. Распределение воздуха в прилегающее помещение требует блокировки соответствующих отверстий, расположенных на корпусе агрегата, при помощи соответствующего уплотняющего материала (поставляемого в комплекте принадлежностей).
7. Декоративная решётка должна быть установлена в простенке между кондиционируемым (где установлен блок для кондиционирования воздуха) и прилегающим к нему помещениями.

### Модель 12/18:



Рис. 10



## 8 ПРИСОЕДИНЕНИЕ ТРУБКИ ДЛЯ ОТВОДА КОНДЕНСАТА

Присоединение дренажной трубки

1. Использовать стандартную трубку из ПВХ в качестве дренажной.
2. Использовать дренажный шланг для изменения направления.

Вставить дренажный шланг до достижения плотного соединения с дренажным отверстием, жёстко закрепить при помощи специального зажима для шланга (Рис. 12).

После проверки дренажной системы покрыть дренажный шланг изоляционным материалом и зафиксировать при помощи зажимов (Рис. 12).

Дренажный порт

OD31.2mm(Модель 24-60) Зажим  
OD25mm(Модель 12-18)

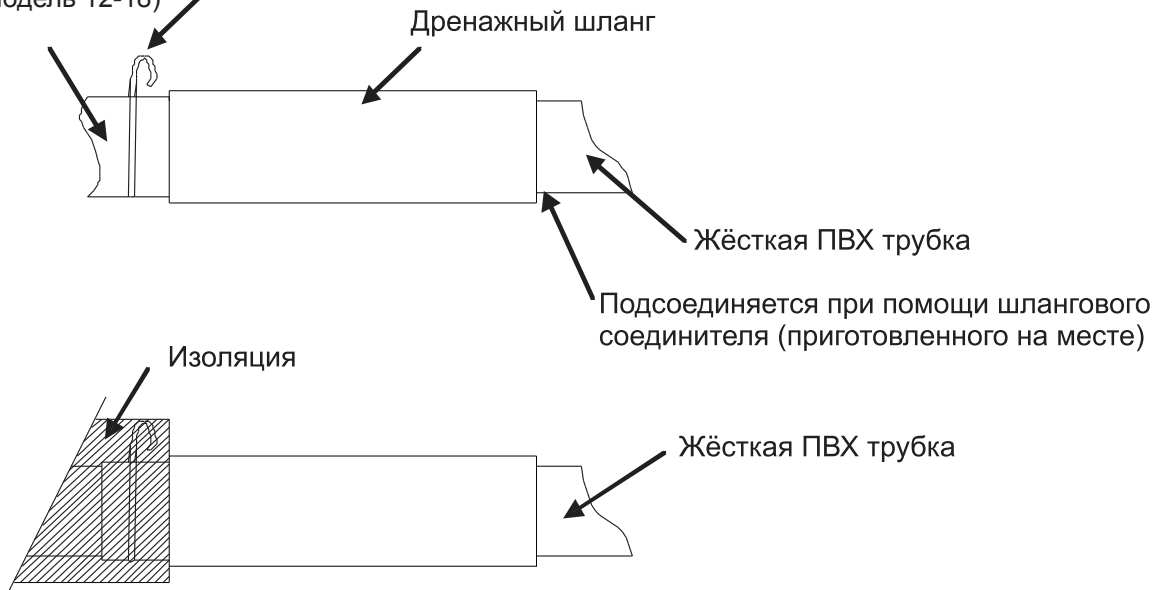


Рис. 12

**внимание!**

1. Не поднимать дренажную трубку выше 0.75 м, поскольку это может привести к утечке воды (рис. 13).
2. Убедиться в том, что дренажная трубка установлена с уклоном вниз (не менее 1/100), а также в отсутствии мест, где может скапливаться вода (рис. 13).

Для поддержки дренажной трубки расположить крепёжные скобы на расстоянии 1 – 1,5 м. (Рис. 13)

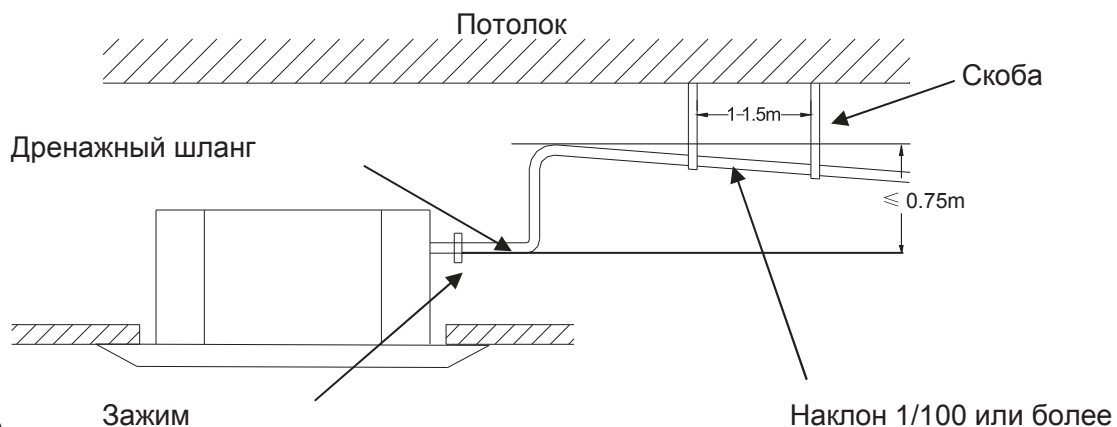


Рис. 13

### Проверка дренажной системы

1. После проводки электрических кабелей и дренажных трубок следует проверить работоспособность дренажной системы следующим образом. При необходимости держать наготове ведро и тряпку для уборки пролившейся воды.
2. Присоединить источник питания АС 220 ~ 240 В к терминалам (L, N), которые находятся внутри распределительной коробки электросистемы.
3. Медленно ввести около 1000 см<sup>3</sup> воды в дренажный поддон (рис. 14).
4. Включить агрегат в режим охлаждения. Понаблюдать за работой дренажной системы через прозрачный дренажное отверстие и убедиться в отсутствии утечек воды.
5. После окончания проверки не забудьте выключить подачу электропитания.



Рис. 14

**ВНИМАНИЕ!**

В процессе данной операции начнёт работать вентилятор. Соблюдайте меры предосторожности.

Завершить установку дренажной системы.

После проверки работы дренажной системы следует убедиться в том, что дренажная трубка внутреннего агрегата покрыта изоляционным материалом, предотвращающим образование конденсата. (Материал должен соответствовать противопожарной классификации М1)

## 9 ЭЛЕКТРИЧЕСКИЕ СОЕДИНЕНИЯ МЕЖДУ ВНУТРЕННИМ И ВНЕШНИМ АГРЕГАТАМИ

### Требования к электросистеме

Электропроводка и электрические соединения должны устанавливаться квалифицированными электриками в соответствии с местными электротехническими нормами и законами. Кондиционер должен быть заземлён.

Кондиционер должен быть подключён к соответствующему источнику питания, расположенному в отдельной распределительной сети и снабжённому прерывателем цепи с задержкой. Перепады напряжения должны находиться в пределах  $\pm 10\%$  от номинального.

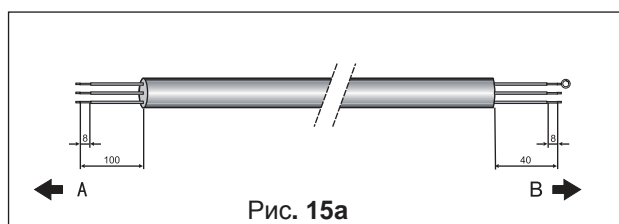
1. Для подключения внутреннего агрегата к внешнему используются следующие электрокабели (page16).
2. Подготовить концы кабеля для подключения к источнику электропитания, а также внутреннего агрегата к внешнему как показано на рис. 15а и 15б соответственно.

Присоединить концы кабеля к терминалам внутреннего и внешнего агрегатов как показано на рис. 16.

Закрепить многожильный электрический кабель при помощи кабельного жгута

Прим Цветовой код проводов может выбираться инсталлятором

- Сетевой кабель



- Кабель между внешним и внутренним агрегатами

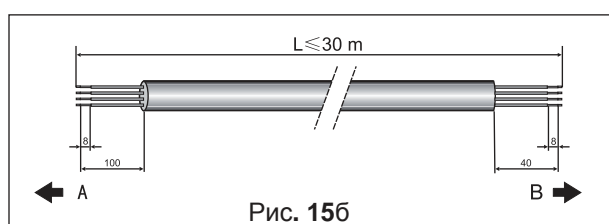
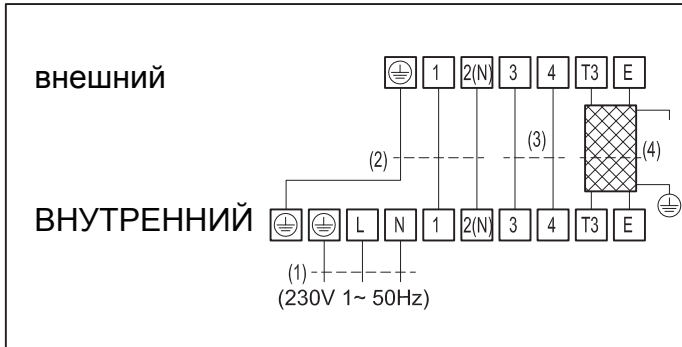


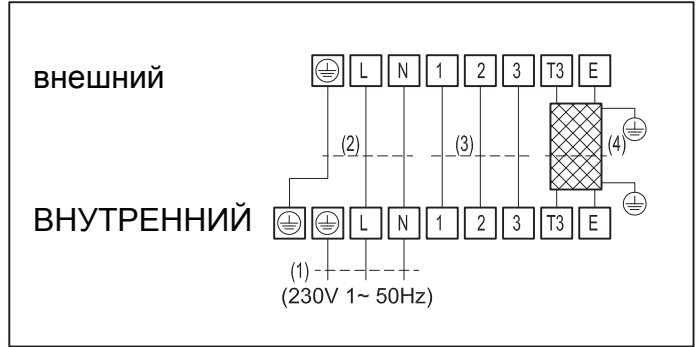
Рис. 15 А. ВНЕШНИЙ Б. ВНУТРЕННИЙ

**ON-OFF TYPE**

12/18 KBtu/h

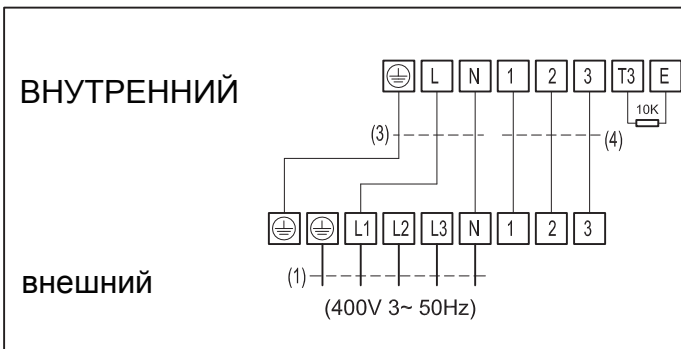


24/30/36 KBtu/h

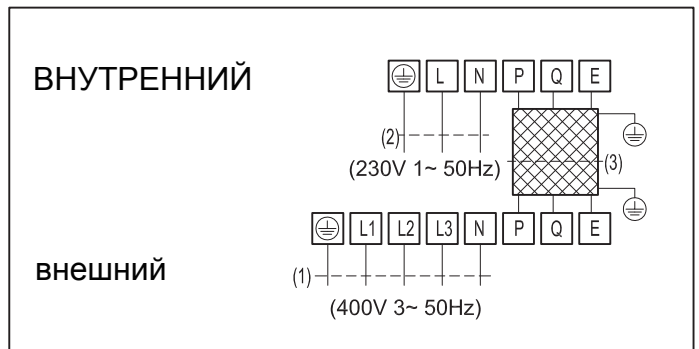


мощность	12/18K	24K	30K/36K
входная мощность предохранителя	16A	25A	30A
1- Кабель (жил)(IDU)	3 x 1.5mm <sup>2</sup>	3 x 2.5mm <sup>2</sup>	3 x 4.0mm <sup>2</sup>
2- Соединительный кабель	3 x 1.5mm <sup>2</sup>	3 x 2.5mm <sup>2</sup>	3 x 4.0mm <sup>2</sup>
3- Соединительный кабель	2 x 1.0mm <sup>2</sup>	3 x 1.0mm <sup>2</sup>	3 x 1.0mm <sup>2</sup>
4- Соединительный кабель	2 x 0.5mm <sup>2</sup>	2 x 0.5mm <sup>2</sup>	2 x 0.5mm <sup>2</sup>

36 KBtu/h (3Ph)



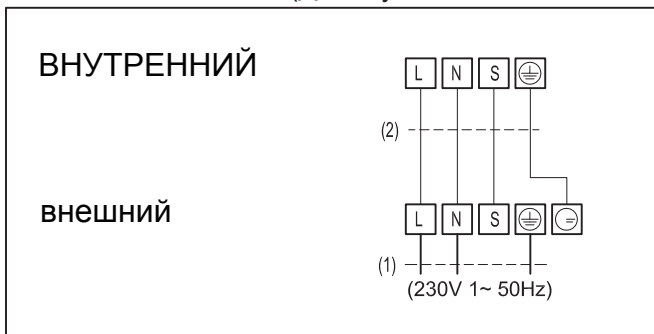
48/60 KBtu/h (3Ph)



мощность	36K (3Ph)	48K	60K
входная мощность предохранителя (ODU/IDU)	20A /-	25A / 16A	25A / 16A
1- Кабель (жил) (ODU)	5 x 2.5mm <sup>2</sup>	5 x 2.5mm <sup>2</sup>	5 x 2.5mm <sup>2</sup>
2- Кабель (жил)(IDU)	-	3 x 1.0mm <sup>2</sup>	3 x 1.0mm <sup>2</sup>
3- Соединительный кабель	3 x 1.0mm <sup>2</sup>	3 x 0.5mm <sup>2</sup>	3 x 0.5mm <sup>2</sup>
4-Соединительный кабель	3 x 1.0mm <sup>2</sup>	-	-

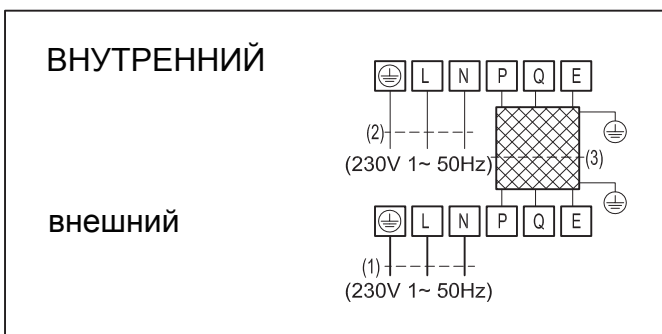
**INVERTER TYPE**

12KBtu/h, 18KBtu/h(Для мультисплитных систем)

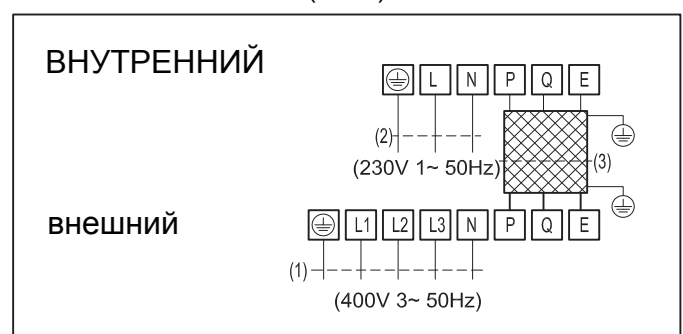


МОЩНОСТЬ	12K	18K(Для мультисплитных систем)
ВХОДНАЯ МОЩНОСТЬ	внешний	внешний
предохранителя	16A	внешний
1-Кабель (жил)(ODU)	3 x 2.5mm <sup>2</sup>	внешний
2- Соединительный кабель	4 x 1.0mm <sup>2</sup>	4 x 1.0mm <sup>2</sup>

18/24/30/36 KBtu/h



36/48/60 KBtu/h (3Ph)



МОЩНОСТЬ	18k	24k	30k	36k
ВХОДНАЯ МОЩНОСТЬ	ВНУТРЕННИЙ и внешний			
предохранителя (ODU/IDU)	16A / 10A	20A / 10A	30A / 10A	30A / 10A
1- Кабель (жил)(ODU)	3 x 2.5mm <sup>2</sup>	3 x 2.5mm <sup>2</sup>	5 x 2.5mm <sup>2</sup>	5 x 4.0mm <sup>2</sup>
2- Кабель (жил)(IDU)	3 x 1.0mm <sup>2</sup>	3 x 1.0mm <sup>2</sup>	3 x 1.0mm <sup>2</sup>	3 x 1.0mm <sup>2</sup>
3- Соединительный кабель	3 x 0.5mm <sup>2</sup>	3 x 0.5mm <sup>2</sup>	3 x 0.5mm <sup>2</sup>	3 x 0.5mm <sup>2</sup>

МОЩНОСТЬ	36k(3Ph)	48K	60K
ВХОДНАЯ МОЩНОСТЬ	ВНУТРЕННИЙ и внешний		
предохранителя (ODU/IDU)	20A / 10A	25A / 10A	25A / 10A
1- Кабель (жил)(ODU)	5 x 2.5mm <sup>2</sup>	5 x 2.5mm <sup>2</sup>	5 x 2.5mm <sup>2</sup>
2- Кабель (жил)(IDU)	3 x 1.0mm <sup>2</sup>	3 x 1.0mm <sup>2</sup>	3 x 1.0mm <sup>2</sup>
3- Соединительный кабель	3 x 0.5mm <sup>2</sup>	2 x 0.5mm <sup>2</sup>	2 x 0.5mm <sup>2</sup>

## 10. ТРУБОПРОВОД ХЛАДАГЕНТА

Подключить внешний агрегат к внешнему

Внутренний агрегат содержит небольшой объем азота. Не откручивать гайки отсека; агрегат поставляется с достаточным количеством хладагента (R410A). См. дополнительную информацию на пластине, прикрепленной к корпусу внешнего агрегата.

Для предотвращения поломки трубки следует изгибать при помощи специального инструмента.

**ПРИМЕЧАНИЕ:** Использовать только медные трубки для хладагента R410A.

1. Снять крышку клапана.
2. Диаметр трубок должен соответствовать диаметру трубопроводов, используемых внутренним и внешним агрегатами. Следует учесть, что всасывающая трубка и трубка для жидкости имеют разный диаметр. (См. таблицы размеров трубок и параметров)
3. Установить конусные гайки на концах труб до того, как обрабатывать их при помощи развальцовочного инструмента. Использовать конусные гайки, установленные на поставляемых внешнем и внутреннем агрегатах.
4. Присоединить все концы трубок к внешнему и внутреннему агрегатам. Сделать отметку. Все концы трубок должны соответствовать входным отверстиям.
5. Изолировать каждую трубку по отдельности, а также их соединения, слоем изоляционного материала толщиной как минимум 6 мм. Связать трубопровод хладагента, дренажную трубки и электрокабели в один узел при помощи виниловой ленты (с защитой от УФ

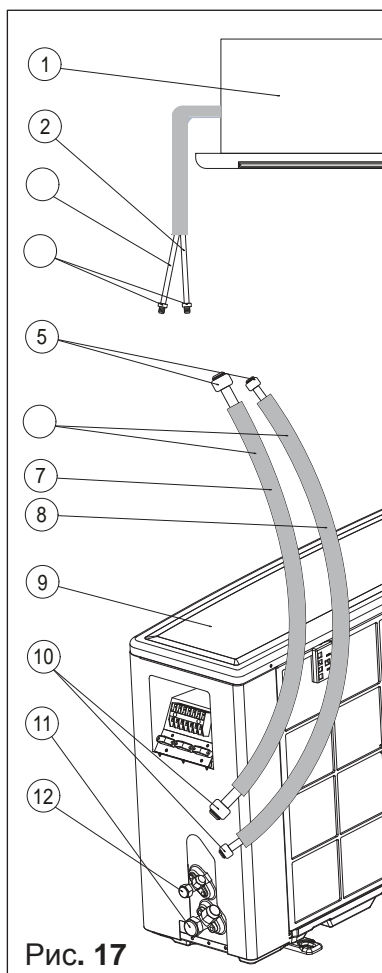


Рис. 17

**Внимание!**  
При откручивании крышек клапанов не стоять прямо напротив них или вала, поскольку система находится под давлением.

Рис. 17

1. внутренний агрегат
2. Трубка жидкости (малый диаметр)
3. Трубка всасывания (большой диаметр)
4. Пробки
5. Конусные гайки
6. Трубопроводы между агрегатами
7. Трубка всасывания
8. Трубка жидкости
9. внешний агрегат
10. Конусные гайки
11. Клапан всасывания (большой)
12. Жидкостный клапан (малый)

Усилие затягивания соединений и крышек клапанов:

РАЗМЕР ТРУБЫ	УСИЛИЕ
Жидкостная 1/4"	15-20 Нм
Всасывания 3/8"	30-35 Нм
Всасывания 1/2"	50-54 Нм
Всасывания 5/8"	75-78 Нм

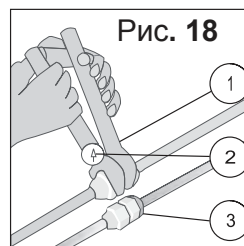


Рис. 18

Рис.18

1. Ключ
2. Тарированный ключ
3. Соединение

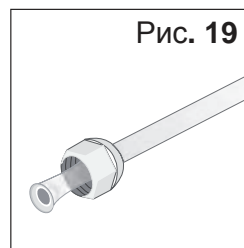


Рис. 19

Рис.19

Для предотвращения утечки хладагента покрыть развальцованную поверхность маслом для охлаждения

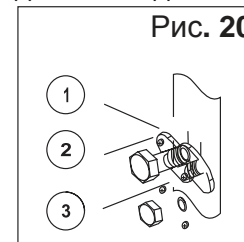


Рис. 20

Рис. 20

1. Всасывающий клапан
2. Сервисный порт
3. Жидкостный клапан
4. Соединение



### Создать вакуум в трубопроводе хладагента и внутреннем агрегате

После присоединения кабелей и трубопроводов к внешнему и внутреннему агрегатам необходимо удалить воздух из трубок и внутреннего агрегата следующим образом:

- 1 Присоединить зарядные шланги при помощи штифта к нижней части зарядного устройства и сервисному порту всасывающего клапана. Убедиться в том, что конец зарядного шланга присоединён к сервисному порту всасывающего клапана при помощи штифта.
- 2 Присоединить центральный шланг зарядного устройства к вакуумному насосу.  
Включить питание вакуумного насоса, повернуть переключатель, расположенный в верхней части, и убедиться в том, что стрелка манометра движется от 0 МПа ( 0 мм ртутного столба) к -0,1 МПа (-76 мм ртутного столба). Оставить насос в работающем положении на 15 минут.  
Закрывать клапан, расположенный в нижней части зарядного устройства и выключить вакуумный насос. Убедиться в том, что по прошествии примерно 5 минут положение стрелки манометра не изменилось.
- 5 При отсутствии проблем в течение указанного времени включить питание вакуумного насоса и открыть клапан, расположенный в нижней части зарядного устройства.  
Отсоединить зарядный шланг от вакуумного насоса и сервисных портов всасывающего клапана.
- 7 Плотно закрыть крышки сервисных портов всасывающего клапана.
8. Повторить шаги 1 – 7 в отношении всех остальных внутренних агрегатов.
- 9 Снять крышки со всех клапанов и открыть их при помощи шестигранного универсального гаечного ключа.
- 10 Установить крышки на все клапаны на место.
- 11 Проверить все места соединений на предмет утечки газа.  
Проверку проводить при помощи электронного детектора утечки или губки, смоченной мыльной водой.

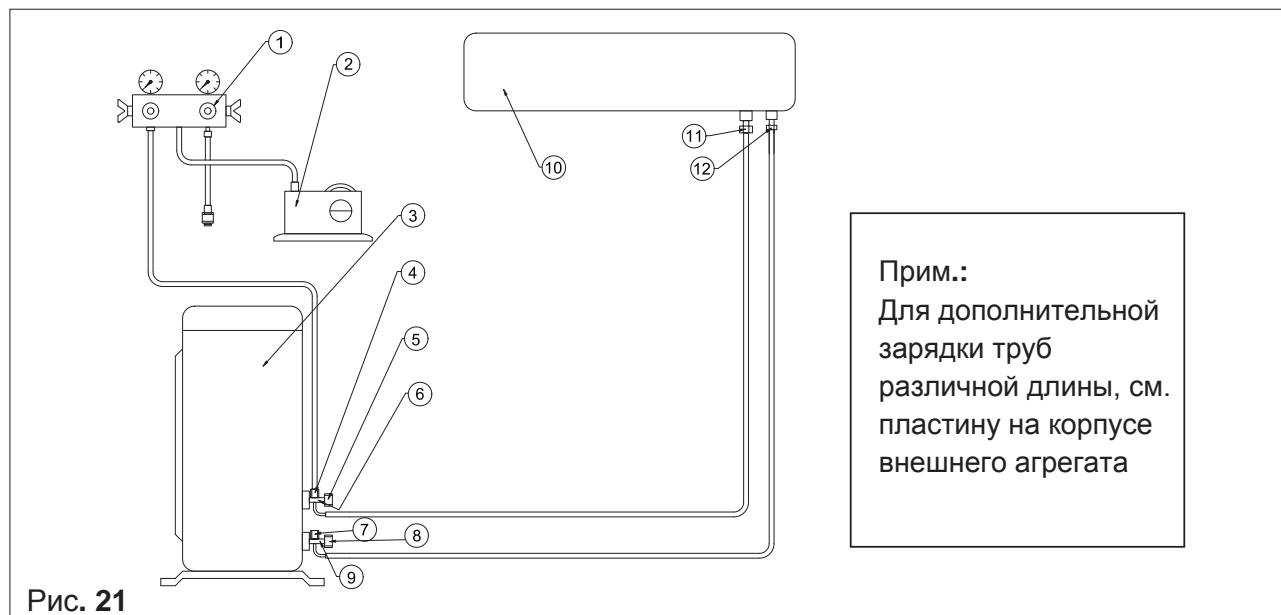


Рис. 21

Прим.:  
Для дополнительной зарядки труб различной длины, см. пластину на корпусе внешнего агрегата

- |                        |                      |   |
|------------------------|----------------------|---|
| 1. Зарядное устройство | 5. Крышка            | 9. Жидкостный клапан                      |
| 2. Вакуумный насос     | 6. Клапан всасывания | 10. Внутренний агрегат                    |
| 3. Внешний агрегат     | 7. Сервисный порт *  | 11. Развальцованное соединение всасывания |
| 4. Сервисный порт      | 8. Крышка            | 12. Развальцованное соединение жидкости   |
- \* Только в некоторых моделях

## 11. УСТАНОВКА ПАНЕЛИ

### Снятие решетки

1. Одновременно нажать на оба рычага-фиксатора в указанном направлении и перевести рычаги в верхнее положение, потянув их на себя (Рис.22).
2. Приподнять решетку под углом 45 градусов и снять ее (Рис.23).

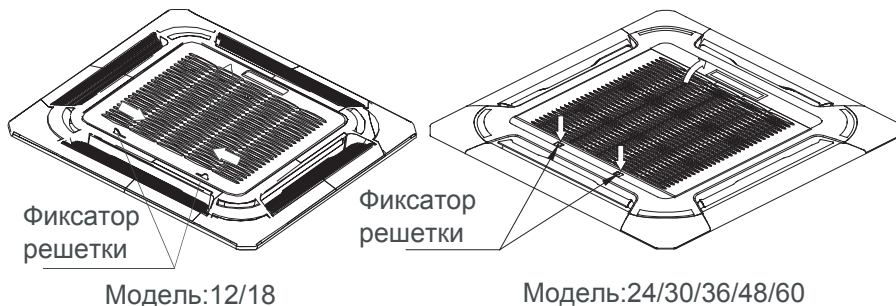


Рис.22

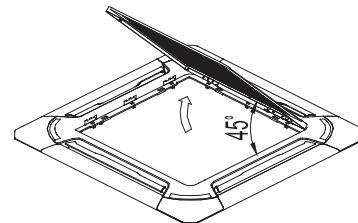
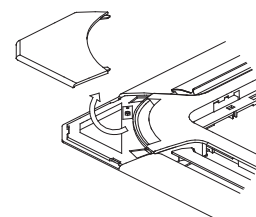


Рис.23

### Снятие угловых крышек (для модели 24-60)

Открутить крепежные болты, ослабить натяжение тросов монтажных крышек и снять крышки (Рис.24).

Рис.24



### Установка панели

#### Модель 12-18:

1. Совместить размещенный на панели гидромотор поворота с соединительными муфтами на корпусе в соответствии с рисунком (Рис.25).
2. Навесить четыре жестких троса основного корпуса на монтажную крышку и на три остальные крышки гидромотора поворота (Рис. 25).
3. Установить панель на основной корпус при помощи болта (M5×16) и шайбы.
4. При помощи 4 болтов отрегулировать горизонтальное положение панели и затянуть болты таким образом, чтобы толщина губчатой прокладки между корпусом и панелью уменьшилась до 4-6мм (Рис.27).

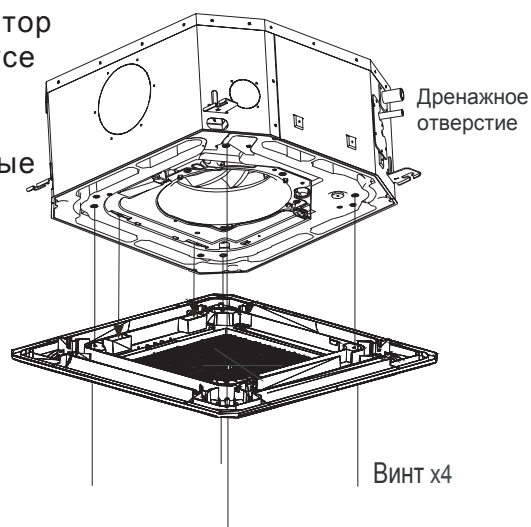


Рис.25

#### Модель 24-60:

1. Совместить размещенный на панели гидромотор поворота с соединительными муфтами на корпусе в соответствии с рисунком (Рис.26).
  2. Закрепить крюки панели на гидромоторе поворота, ее противоположные боковины закрепить на крюках соответствующего водоприемника (Рис.26-1).
  3. Навесить остальные два крюка панели на соответствующие кронштейны корпуса (Рис. 26-2).
  4. При помощи 4 Г-образных винтов отрегулировать горизонтальное положение панели и равномерно вкрутить винты в потолок (Рис.26-3).
  5. Слегка отрегулировать положение панели в направлении, показанном стрелкой на Рис. 26-4, таким образом, чтобы центральная точка панели была точно совмещена с центром отверстия в потолке.
- Убедиться, что четыре угловых крюка надежно закреплены.
6. Затянуть болты под крюками панели таким образом, чтобы толщина губчатой прокладки между корпусом и панелью уменьшилась до 4-6 мм. (Рис.27)

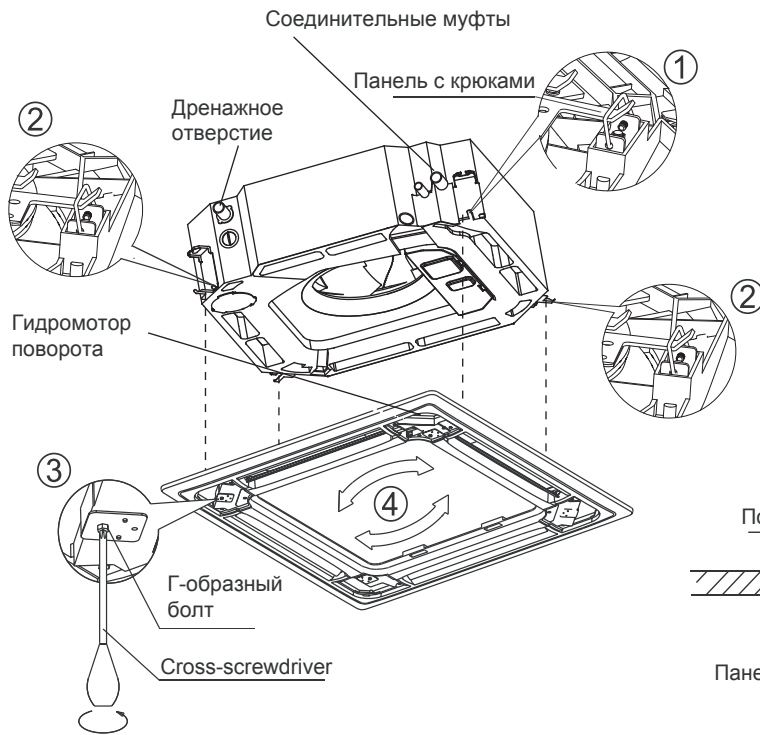


Рис.26

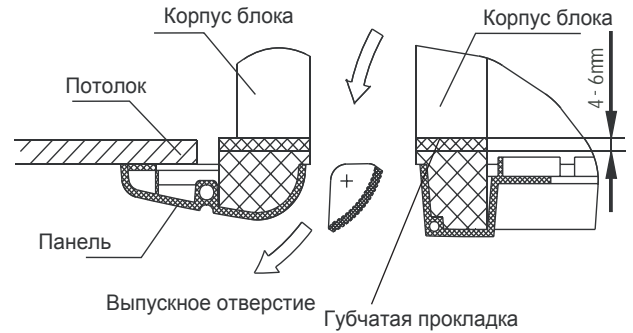


Рис.27

### Перемещение решетки

1. Навесить решетку на панель, затем соединить разъемы соединительного кабеля гидромотора поворота и дисплея с ответными гнездами разъемов на корпусе блока.
2. Переместить решетку приточного воздуха согласно описанной выше процедуре, но в обратном порядке.

### Перемещение угловой крышки

1. Закрепить трос угловой крышки при помощи винта угловой крышки (Рис.28).
2. Слегка вдавить крышку в панель (Рис.28).

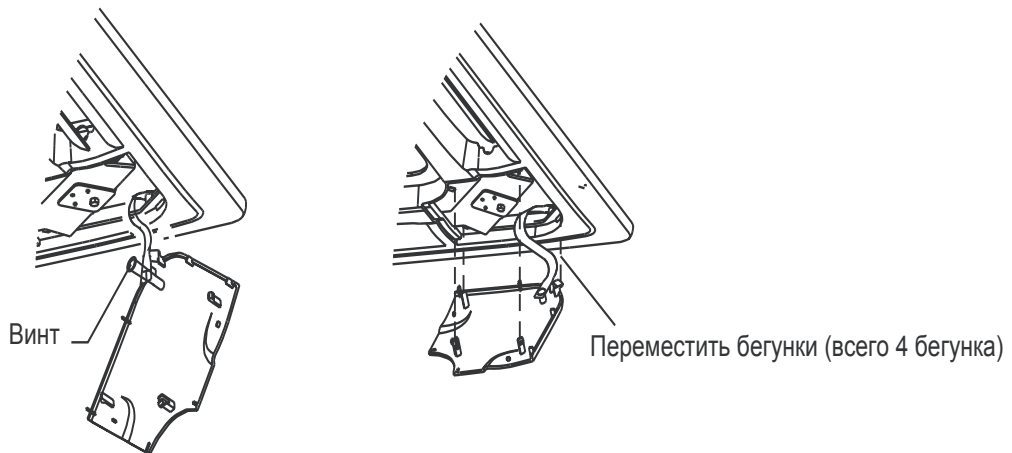


Рис.28

## 12. ЗАВЕРШАЮЩИЕ ОПЕРАЦИИ

- 1 Проверить наличие крышек на всех клапанах и убедиться в том, что они закрыты достаточно плотно. Закрывать крышку клапана.
- 2 Заполнить зазоры между краями отверстий в стене и трубопроводами герметизирующим материалом.  
При необходимости прикрепить трубопроводы и кабели к стене при помощи зажимов.  
Включить систему в режим охлаждения или обогрева как минимум на 5 мин.
- 5 Разъяснить процедуру извлечения, чистки и повторной установки фильтра.  
Включить кондиционер в присутствии клиента и разъяснить ему все функции.
- 7 Передать клиенту руководства по установке и эксплуатации системы.