

**X**



**UC**



**2450**

**3250**

**74**

**104**

English

Français

Deutsch

Italiano

Español



### Packaged Air Conditioners

air cooled: X ARV

### Centrales Autonomes de Climatisation

à condensation par air: X ARV

### Zentralklimageräte

luftkühlung: X ARV

### Centrali Autonome di Climatizzazione

con raffreddamento ad aria: X ARV

### Centrales Autónomas de Climatización

con condensación por aire: X AR V

water cooled: X AO

à condensation par eau: X AO

wasserkühlung: X AO

con raffreddamento ad acqua: X AO

con condensación por agua: X AO

### IOM X 02-N-3ALL

Part number / Code / Teil Nummer / Codice / Código : **3990528**

Supersedes / Annule et remplace / Annulliert und ersetzt /

Annulla e sostituisce / Anula y sustituye : **IOM X 02-N-2ALL**





**INSTALLATION INSTRUCTION**

NOTICE D'INSTALLATION

INSTALLATIONSHANDBUCH

ISTRUZIONI INSTALLAZIONE

INSTRUCCIONES DE INSTALACIÓN

English

Français

Deutsch

Italiano

Español

# CONTENTS

<b>GENERAL RECOMMENDATIONS .....</b>	<b>3</b>
SAFETY DIRECTIONS .....	3
WARNING .....	3
EQUIPMENT SAFETY DATA .....	4
<b>INSPECTION AND STORAGE .....</b>	<b>5</b>
<b>WARRANTY .....</b>	<b>5</b>
<b>CONTENTS OF PACKAGE .....</b>	<b>6</b>
<b>DIMENSIONS .....</b>	<b>6</b>
NET WEIGHT .....	6
<b>TECHNICAL SPECIFICATIONS.....</b>	<b>7</b>
POWER SUPPLY .....	7
INTERCONNECTION WITH OUTDOOR UNIT (AIR COOLED UNIT) .....	7
<b>DESCRIPTION.....</b>	<b>8</b>
<b>INSTALLATION .....</b>	<b>9</b>
INSTALLATION OF THE INDOOR UNIT .....	9
CLEARANCE .....	9
UNIT LOCATION .....	9
AIR DISCHARGE AND INTAKE .....	10
ACCESS TO THE FILTERS .....	10
INSTALLATION OF THE OUTDOOR UNIT.....	11
CLEARANCES.....	11
INSTALLATION.....	11
ATTACHMENT TO THE GROUND .....	11
<b>REFRIGERANT CONNECTIONS (AIR COOLED UNIT) .....</b>	<b>12</b>
REFRIGERANT LINES.....	12
REFRIGERANT .....	12
PIPES TO BE MADE ON SITE .....	12
REFRIGERATION PIPE BENDING .....	13
TIGHTENING TORQUE FOR REFRIGERANT VALVES .....	13
FOLLOW THE CONNECTION INSTRUCTIONS FOR THE VALVES WITH NON-REMOVABLE MEMBRANES.....	13
<b>HYDRAULIC CONNECTIONS.....</b>	<b>14</b>
SAFETY DRAIN .....	14
<b>ELECTRICAL CONNECTIONS.....</b>	<b>14</b>
TRANSFORMER.....	14
INTERCONNECTIONS .....	15
INTERCONNECTIONS WITH REMOTE CONTROL .....	15
<b>CONTROL PANEL .....</b>	<b>16</b>



## **POWER SUPPLY MUST BE SWITCHED OFF BEFORE STARTING WORK IN THE ELECTRIC CONTROL BOX**

### **GENERAL RECOMMENDATIONS**

Please read the following safety precautions very carefully before installing the unit.

#### **SAFETY DIRECTIONS**

Follow the safety rules in forces when you are working on your appliance.

The installation, commissioning and maintenance of these units should be performed by qualified personnel having a good knowledge of standards and local regulations, as well as experience of this type of equipment.

The unit should be handled using lifting and handling equipment appropriate to the unit's size and weight.

Any wiring produced on site must comply with the corresponding national electrical regulations.

Make sure that the power supply and its frequency are adapted to the required electric current of operation, taking into account specific conditions of the location and the current required for any other appliance connected to the same circuit.

The unit must be EARTHED to avoid any risks caused by insulation defects.

It is forbidden to start any work on the electrical components if water or high humidity is present on the installation site.

#### **WARNING**

Cutoff power supply before starting to work on the appliance.

When making the hydraulic connections, ensure that no impurities are introduced into the pipe work.

**The manufacturer declines any responsibility and the warranty becomes void if these instructions are not respected.**

If you meet a problem, please call the Technical Department of your area.

If possible, assemble the compulsory or optional accessories before placing the appliance on its final location. (see instructions provided with each accessory).

In order to become fully familiar with the appliance, we suggest to read also our Technical Instructions.

-The informations contained in these Instructions are subject to modification without advance notice.

## EQUIPMENT SAFETY DATA

Safety Data	R407C
Toxicity	Low
In contact with skin	Liquid splashes or sprays may cause freeze burns. Unlikely to be hazardous by skin absorption. However, R407C may be slightly irritant and, if liquid, it has a strong degreasing effect. Flush contaminated skin areas with running water. If it comes into contact with wet fabrics, the liquid refrigerant will cause them to freeze and adhere to the skin. Carefully remove the contaminated clothing since it might adhere to the skin and cause freeze burns. Apply to a doctor if the affected skin areas should be reddened or irritated.
In contact with eyes	Vapours have no effect. Liquid splashes or sprays may cause freeze burns. In these cases rinse your eyes with running water or with a solution for eye lavages for at least 10 minutes. Immediately apply to a doctor.
Ingestion	Very unlikely to occur. If this should be the case, it may cause freeze burns. Never induce vomiting. Keep the patient awake. Make it rinse its mouth with running water and make it drink about 1/4 of a litre. Immediately apply to a doctor.
Inhalation	R407C: High concentration levels of its vapours in the air can produce an anaesthetic effect, including the loss of consciousness. Particularly severe exposures may cause heart arrhythmia and sometimes prove to be also fatal.  At high concentrations there is a danger of asphyxia due to a reduced oxygen content in the atmosphere. In these cases take the patient to the open air, in a cool place and keep it at rest. Administer oxygen, if required. Apply artificial respiration if breathing has ceased or if it has become irregular. In case of heart failure immediately apply cardiac massage. Immediately apply to a doctor.
Further Medical Advice	A symptomatic and supportive therapy is generally suitable. A heart sensitisation has been observed in some cases, as a result of exposures to particularly high concentrations. In the presence of catecholamines (such as for example adrenaline) in the blood flow, it has increased the irregularity of the cardiac rhythm and then caused the heart failure.
Long-term exposure	R407C: A lifetime study which has been conducted on the effects inhalation may have on rats at 50,000 ppm has shown the onset of benign tumours of the testicle. These remarks suggest that there is no danger for human beings if they are exposed to concentrations below the occupational limits or equal to them.
Occupational exposure limits	R407C: Recommended limits: 1,000 ppm v/v 8 hours TWA.
Stability	R407C: Not specified.
Conditions to avoid	Use in the presence of exposed flames, red heat surfaces and high humidity levels.
Hazardous reactions	Possibility of violent reactions with sodium, potassium, barium and other alkaline substances. Incompatible materials: magnesium and all the alloys containing over 2% of magnesium.
Hazardous decomposition products	R407 C: Halogen acids deriving from thermal decomposition and hydrolysis.
General precautions	Avoid the inhalation of high concentrations of vapours. The concentration in the atmosphere shall be kept at the minimum value and anyway below the occupational limits. Since vapours are heavier than air and they tend to stagnate and to build up in closed areas, any opening for ventilation shall be made at the lowest level.
Breathing protection	In case of doubt about the actual concentration, wear breathing apparatus. It should be self-contained and approved by the bodies for safety protection.
Storage Preservation	Refrigerant containers shall be stored in a cool place, away from fire risk, direct sunlight and all heat sources, such as radiators. The maximum temperature shall never exceed 45°C in the storage place.
Protection clothes	Wear boots, safety gloves and glasses or masks for facial protection.
Behaviour in case of leaks or escapes	Never forget to wear protection clothes and breathing apparatus. Isolate the source of the leakage, provided that this operation may be performed in safety conditions. Any small quantity of refrigerant which may have escaped in its liquid state may evaporate provided that the room is well ventilated. In case of a large leakage, ventilate the room immediately. Stop the leakage with sand, earth or any suitable absorbing material. Prevent the liquid refrigerant from flowing into drains, sewers, foundations or absorbing wells since its vapours may create an asphyxiating atmosphere.
Disposal	The best procedure involves recovery and recycle. If this is not possible, the refrigerant shall be given to a plant which is well equipped to destroy and neutralise any acid and toxic by-product which may derive from its disposal.
Combustibility features	R407C: Non flammable in the atmosphere.
Containers	If they are exposed to the fire, they shall be constantly cooled down by water sprays. Containers may explode if they are overheated.
Behaviour in case of fire	In case of fire wear protection clothes and self-contained breathing apparatus.

## INSPECTION AND STORAGE

At the time of receiving the equipment carefully cross check all the elements against the shipping documents in order to ensure that all the crates and boxes have been received. Inspect all the units for any visible or hidden damage.

**In the event of shipping damage, write precise details of the damage on the shipper's delivery note and send immediately a registered letter to the shipper within 48 hours, clearly stating the damage caused. Forward a copy of this letter to the manufacturer or their representative.**

Never store or transport the unit upside down. It must be stored indoors, completely protected from rain, snow etc. The unit must not be damaged by changes in the weather (high and low temperatures). Excessively high temperatures (above 60 °C) can harm certain plastic materials and cause permanent damage. Moreover, the performance of certain electrical or electronic components can be impaired.

## WARRANTY

The appliances are delivered fully assembled, factory tested and ready to operate.

Any modification to the units without the manufacturer's prior approval, shall automatically render the warranty null and void.

The following conditions must be respected in order to maintain the validity of the warranty:

- Commissioning shall be performed by specialised technicians from technical services approved by the manufacturer.
- Maintenance shall be performed by technicians trained for this purpose.
- Only Original Equipment spare parts shall be used.
- All the operations listed in the present manual shall be performed within the prescribed SCHEDULE.



**THE WARRANTY SHALL BE NULL AND VOID IN THE EVENT OF NON-COMPLIANCE WITH ANY OF THE ABOVE CONDITIONS.**

## CONTENTS OF PACKAGE

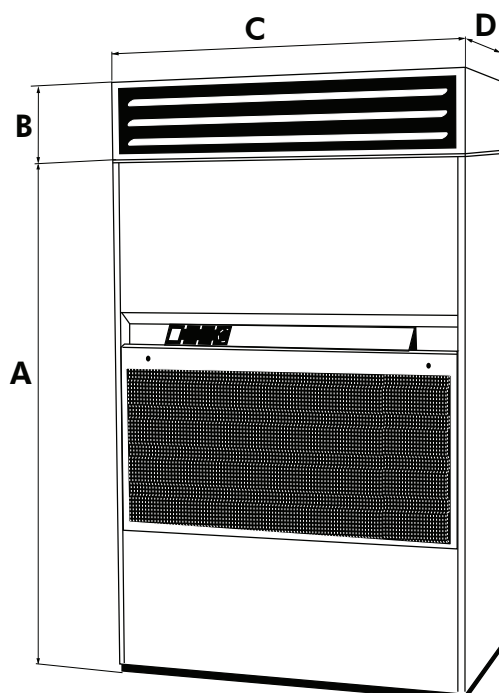
### X 2450 / X 3250

- 1 indoor unit
- 1 wiring diagram
- 1 diagram key
- 1 set of grommets

### UC 74 / UC 104

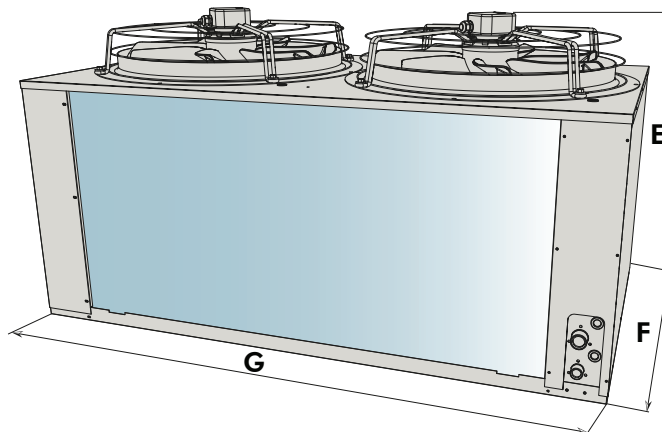
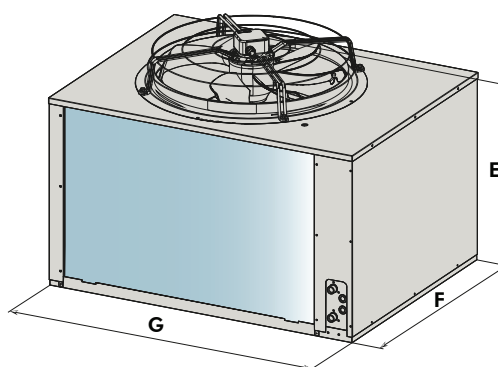
- 1 outdoor unit

## DIMENSIONS



		A	B	C	D
2450	mm	1840	350	1300	600
3250	mm	1840	350	1530	600

		E	F	G
74	mm	840	885	1141
104	mm	840	885	1546



## NET WEIGHT

		X ARV	X AO
2450	kg	265	305
3650	kg	350	380

		UC
74	kg	93
104	kg	130



## TECHNICAL SPECIFICATIONS

### POWER SUPPLY

		2450				3250			
Power supply		3 ~230 V* - 50 Hz		3N ~400 V - 50 Hz		3 ~230 V* - 50 Hz		3N ~400 V - 50 Hz	
Models		X ARV	X AO	X ARV	X AO	X ARV	X AO	X ARV	X AO
• Cooling + Ventilation(VS/FV)									
Nominal power input	kW	8.2/8.9	7.1/7.8	8.2/8.9	7.1/7.8	12.3/13.1	9.8/10.6	12.3/13.1	9.8/10.6
Maximum intensity	A	37/40	32/35	23/26	19/21	55/57	46/48	34/36	26/28
Starting intensity	A	145/154	124/133	83/86	71/74	200/220	176/196	117/128	96/107
Motor fuse rating aM	A	40	32/40	25	20/25	63	50	40	32
Cable size	mm <sup>2</sup>	10	6/10	4	2.5/4	16	10	6/10	6
• Electrical heating + Ventilation (VS/FV)									
Nominal power input	kW	18.7/19.2	18.7/19.3	18.7/19.3	18.7/19.3	23.4/24.3	23.4/24.3	23.4/24.3	23.4/24.3
Maximum intensity	A	59/62	50/62	33/35	33/35	74/76	74/76	43/45	43/45
Starting intensity	A	145/154	124/133	83/86	71/74	200/220	176/196	117/128	96/107
Motor fuse rating aM	A	63	63	40	40	80	80	50	50
Cable size	mm <sup>2</sup>	16	16	10	10	25	25	10	10
• Cooling+ Ventilation (VS/FV) + Electrical heating (or dehumidification)									
Nominal power input	kW	26.2/26.9	25.1/25.8	26.2/26.9	25.1/25.8	34.8/35.6	32.3/33.1	34.8/35.6	32.3/33.1
Maximum intensity	A	91/94	86/89	54/56	49/51	122/124	113/115	73/75	65/67
Starting intensity	A	199/208	178/187	113/116	101/104	272/292	243/263	161/172	135/146
Motor fuse rating aM	A	100	100	63	50/63	125	125	80	80
Cable size	mm <sup>2</sup>	35	35	16	10/16	50	50	25	25

\*Mains switch not supplied: to be provided by the installer.

**VS:** Standard ventilation

**HV:** High ventilation

**Note** : 1 Cooling unit and 2x9 kW heating are considered in terms of dehumidification

### INTERCONNECTION WITH OUTDOOR UNIT (AIR COOLED UNIT)

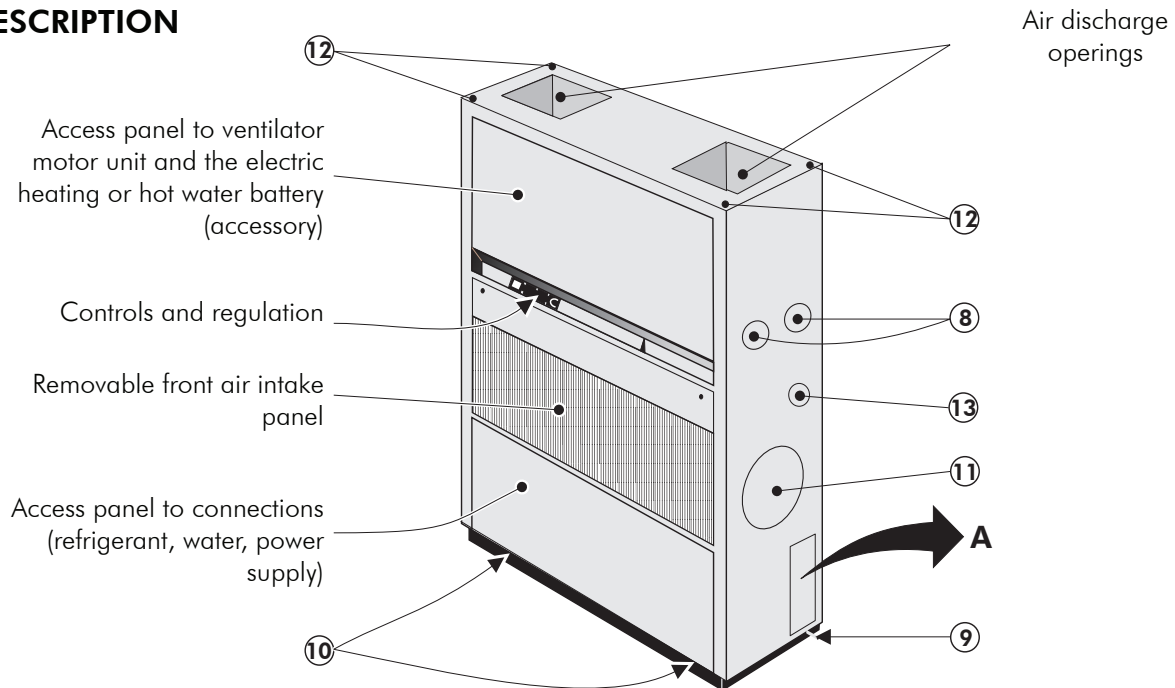
		2450	3250
Power supply		3 ~230 V* - 50 Hz	3 ~230 V* - 50 Hz
Outdoor unit		UC 74	UC 104
Power supply		~230 V - 50 Hz	~230 V - 50 Hz
Nominal power input	W	611	1222
Maximum intensity	A	3.1	6.2
Starting intensity	A	5.5	11
Cable size	mm <sup>2</sup>	1.5	1.5

\***THREE PHASE 230 V:** Installation regulated in France.

### IMPORTANT

These values are given for information only. They should be checked and adjusted according to prevailing standards. They depend on the mode of installation and the type of wires selected.

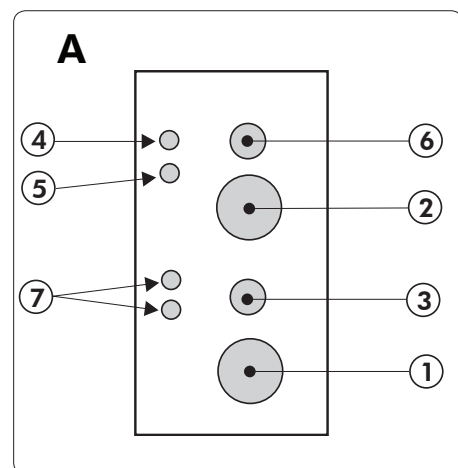
## DESCRIPTION



1. Pipe links to main unit (air cooled)  
Cooling water supply (water cooled)
  - Waste water outlet = 2450 nut 1" ( Ø 26- 34 )
  - Recycled water outlet = 2450 1" 1/4 ( Ø 33 - 42 )
  - Water supply 3250 nut 1" ( Ø 26 - 34 )
  - Water supply 3250 nut 1" 1/2 ( Ø 40 - 49 )
2. Pipe links to main unit (air cooled)  
Cooling water supply (water cooled)
  - Waste water supply = 2450 nut 1" ( Ø 26- 34 )
  - Recycled water supply = 2450 1" 1/4 ( Ø 33 - 42 )
  - Water outlet 3250 nut 1" ( Ø 26 - 34 )
  - Water outlet 3250 nut 1" 1/2 ( Ø 40 - 49 )

3. Condensate water evacuation – souple tube Ø 26x32
4. Electric connection - with "Faults report"
5. Electric connection - with "Remote control"
6. General electric supply
7. Electric connections to UC - air cooled
8. Incorporated hot water battery inlet and outlet (M. Ø 33x42)
9. Safety evacuation at the base of unit
10. Packaging fixing holes (2 front - 2 rear). To be stopped up with the unit fixing bolts on its pallet

11. Hole Ø 200 for possible connection of a new air inlet duct (to be carrier by the installer)
12. Rings situated at the 4 corners of the cabinet for vertical lifting (bar system).
13. Orifice Diameter 29 mm for vapour rod (not supplied), to be mandatorily installed on the right-hand side of the appliance.



## INSTALLATION

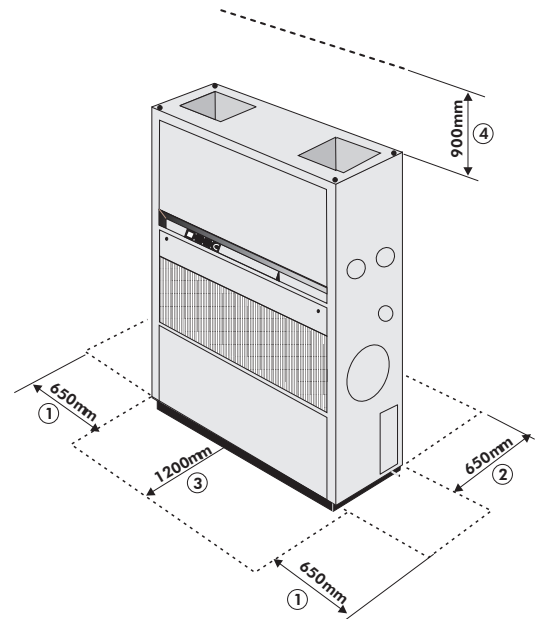


The unit is not designed to withstand weights or stresses from adjacent equipment, pipe work or constructions. Any foreign weight or stress on the unit structure could lead to a malfunction or a collapse with dangerous consequences for personnel and property. In such an event, the warranty shall be null and void.

### INSTALLATION OF THE INDOOR UNIT

#### CLEARANCE

1. on the connection side
2. for total rear air intake
3. for front air discharge with plenum accessory
4. for direct vertical air discharge



**RESPECT MINIMUM CLEARANCES SPECIFIED AROUND THE UNIT.**

#### UNIT LOCATION



The unit base shall be arranged as indicated in the manual. There could be a risk of personal injury or damage to property in the event of the unit being incorrectly supported.

The unit must be installed on a firm level foundation, of adequate strength to support its full operating weight.

1. It must be high enough to permit good drainage of condensates with siphon
2. The unit must be pitched slightly towards condensate drain outlet to provide positive drainage of condensates.
3. Keep duct connections to a minimum to reduce duct losses.
4. When locating unit give consideration to, and locate unit as remote as possible minimise noise.
5. All electrical and ductwork connections to the unit must be made via flexible connections to prevent transmission of vibration.
6. In addition to the service clearances noted on the dimension sheet it is essential that provision is made for adequate and safe service access.

Before final installation of the unit mount the accessories (heater, rear or side air intake, plenum etc...). See the specific document supplied with each accessory.

Remove the upper front panel, air intake panel and lower front panel according to the instructions.

➤ **REMOVAL OF UPPER FRONT PANEL A**

(Access to the fan and the electrical heating or hot water battery (accessory))

Unscrew the two screws, pull out downward.

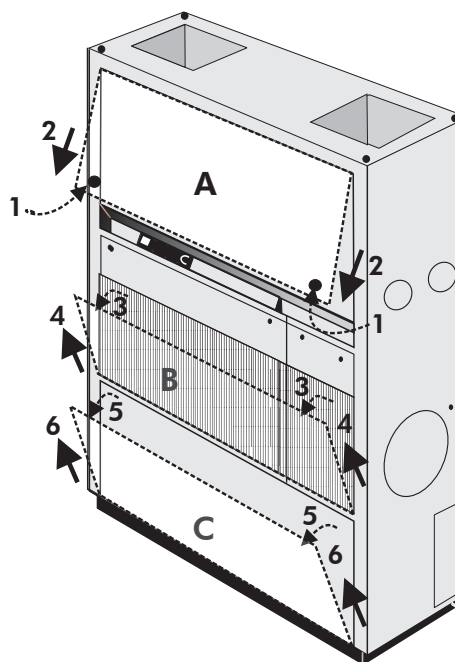
➤ **REMOVAL OF FRONT AIR INTAKE B**

Turn the two fasteners by a quarter turn, pull out and up.

➤ **REMOVAL OF LOWER FRONT PANEL C**

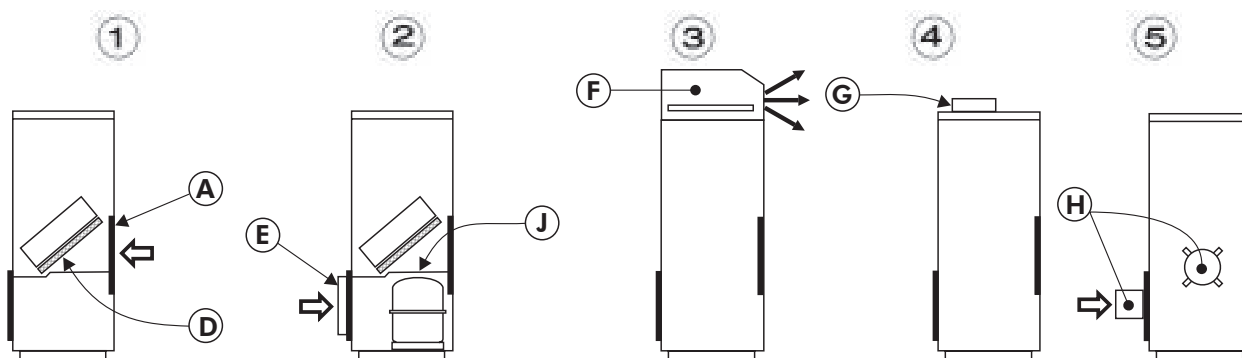
(Access to refrigerant, hydraulic and electrical connections)

Unscrew the two screws, pull out and up.



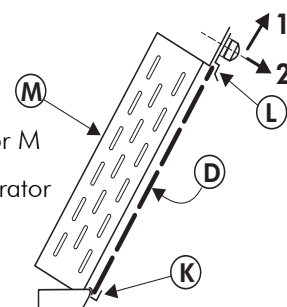
### AIR DISCHARGE AND INTAKE

1. Direct air intake through the removable front panel **A** and the filter **D** (factory mounted).
2. Total rear air intake with duct:  
Duct **E** to be mounted on the rear of the unit connection elements (remove the panel **J**).
3. Direct air discharge through plenum **F** with adjustable grilles (accessory) which are mounted on the unit.
4. Air discharge through ducts:  
Connection elements for air discharge ducts **G** (accessory) to be mounted on the top of the unit.
5. Possibility of partial fresh air intake, on side or rear with the accessory air intake duct **H**.



### Access to the filters

1. Take off the air intake panels.
2. The filters **D** are maintained :
  - in the fixed supports **K**, situated in the lower part of the evaporator **M**
  - by the detachable supports **L** situated in the upper part the evaporator
3. To take them off :
  - **1** Lift and
  - **2** Pull.

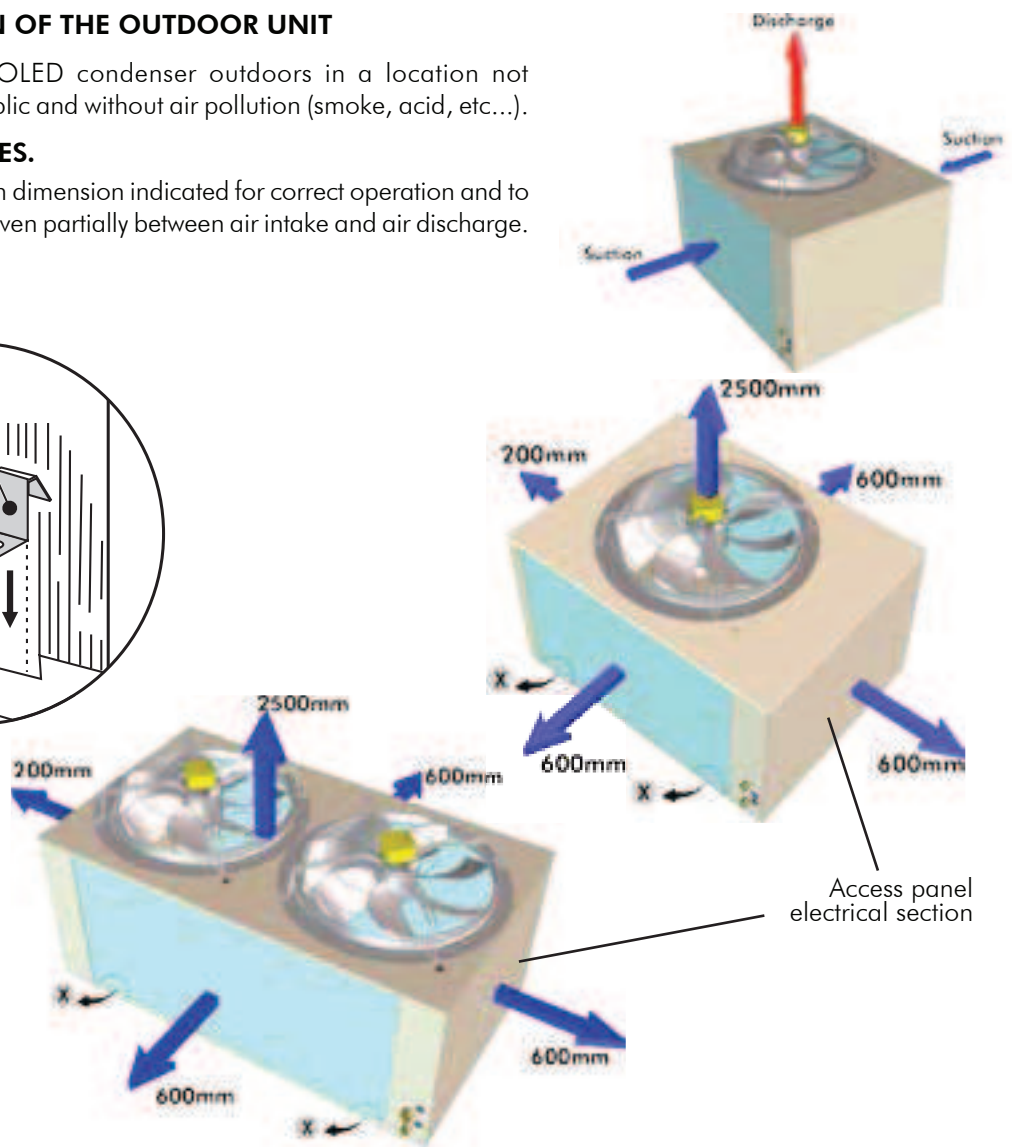
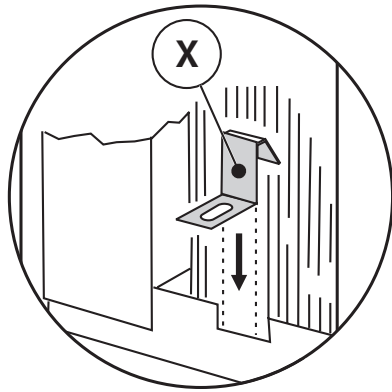


### INSTALLATION OF THE OUTDOOR UNIT

Place the AIR COOLED condenser outdoors in a location not accessible to the public and without air pollution (smoke, acid, etc...).

#### CLEARANCES.

Respect the minimum dimension indicated for correct operation and to avoid air recycling, even partially between air intake and air discharge.

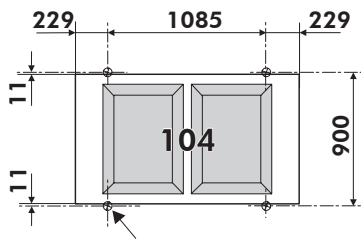
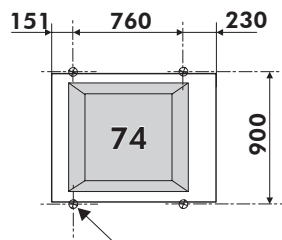


#### INSTALLATION.

Install and attach the AIR COOLED condenser on a masonry surface (concrete slab).

#### ATTACHMENT TO THE GROUND

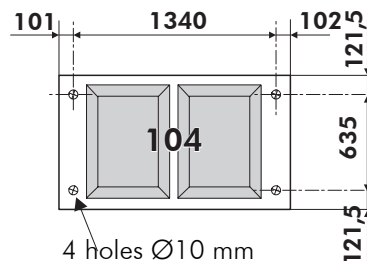
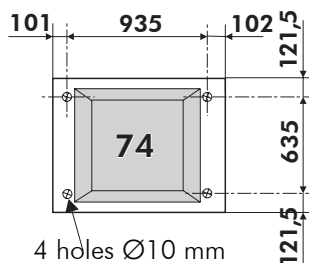
**74** and **104** with the feet **X** used for fixing the unit to its pallet.



4 oblong holes 9x16 mm

4 oblong holes 9x16 mm

or by the holes drilled in the bosses situated under the base of the unit. They can be reached after dismantling the side panels.

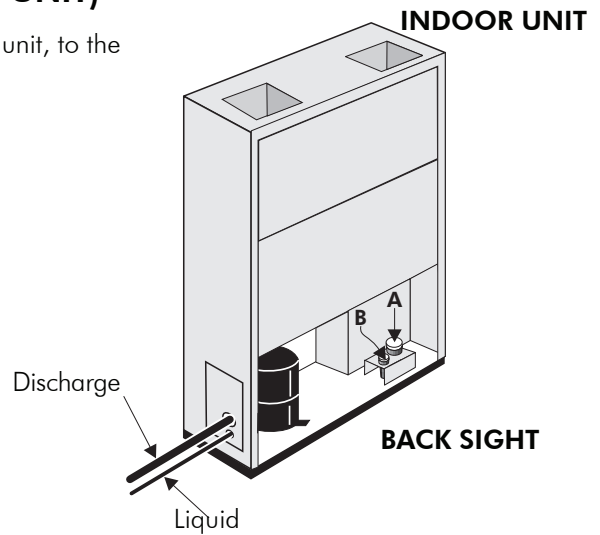
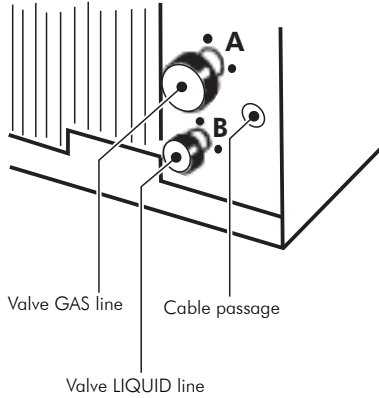


## REFRIGERANT CONNECTIONS (AIR COOLED UNIT)

The couplings are situated behind the lower front panel of the unit, to the rear.

- Valve A: GAS line  
**2450** ➤  $\varnothing 5/8"$       **3250** ➤  $\varnothing 3/4"$
- Valve B: LIQUID line  
**2450** ➤  $\varnothing 1/2"$       **3250** ➤  $\varnothing 5/8"$

### OUTDOOR UNIT



The outdoor unit are factory charged and equipped with refrigerant connections. Follow the connection instructions for the valves with non-removable membranes.

### REFRIGERANT LINES

- Supplied precharged in factory:  
**MAXIMUM LENGTH 25M.**
- Realized on the site by the installer:  
**MAXIMUM LENGTH 45M.**

### REFRIGERANT

linking pipes up to 45m:

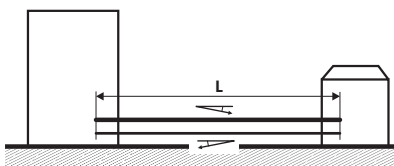
- GAS line:  
 gas precharge
- LIQUID line (above to 2m):  
**2450** ➤ 110g/m      **3250** ➤ 183g/m

For refrigerant lines with a length between 25 and 45m (to be mounted on the site) the diameters, the refrigerant charge and the installation safety measures must be determined professionally.

### PIPES TO BE MADE ON SITE

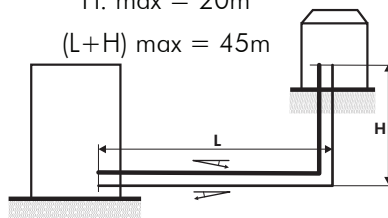
Condenseur at the same level as the indoor unit

L. max = 45m



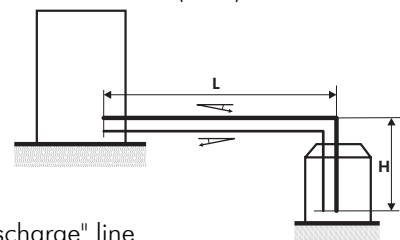
Condenseur higher than the indoor unit

H. max = 20m  
 (L+H) max = 45m



Condenseur lower than the indoor unit

H. max = 9m  
 (L+H) max = 45m



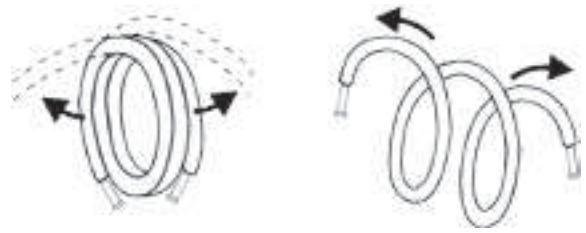
Minimum slope  
 1 cm/m downwards

— "Discharge" line

— "Liquid" line

This operation should be performed expertly by qualified professionals (refrigeration engineer) (brazing, vacuum, charge, etc ...).

Unroll the pipes carefully, in the opposite direction to the spirals, to avoid bending them.



### REFRIGERATION PIPE BENDING

The bending radius of the pipes should be equal to or more than 3,5 times de outside diameter of the pipe.

Do not bend the pipes consecutively more than three times and do not make more than 12 bends over the complete length of the link.



### TIGHTENING TORQUE FOR REFRIGERANT VALVES

- LIQUID:  
(small valve) 15Nm
- SUCTION:  
(large valve) 55Nm

1 Newton-meter = 0,1 meter-kilo

### FOLLOW THE CONNECTION INSTRUCTIONS FOR THE VALVES WITH NON-REMOVABLE MEMBRANES

- Line up the 2 half couplings.
- Remove the protective plugs on each coupling.
- Check if the valves are greased on the inside; if not, lubricate them slightly with oil fit refrigeration use.
- Give a few clockwise turns by hand, to make sure threading is engaged properly.
- Continue screwing clockwise with a wrench, while holding the rear part ( tube side ) with another wrench placed counter-clockwise, until it is firmly tighten . Just then, resume locking with an additional 1/4 turn of the wrench.
- The reason for this last step is to crimp the internal metal gasket.

### NOTE

- Prior to final butt-screwing, a slight freon leak may be noticed which should stop quickly.
- Proceed to leak tests.



**FOR SAFETY'S SAKE NEVER DISCONNECT  
THESE COUPLINGS WHILE CIRCUIT IS UNDER REFRIGERANT PRESSURE**

## HYDRAULIC CONNECTIONS

The cooling water inlet and outlet (water cooled models) is made by hoses situated in the lower part of the unit with female union nuts on their ends.

Passage provided on the right or left side.

Condensate drain: the hose (26 x 32) coiled in the lower part of the unit must be brought out through the hole 3 page 8.

### SAFETY DRAIN.

The sealed bottom of the indoor unit which collects condensate or abnormal overflow is equipped with a right or left lateral outlet pipe 22mm outer diameter.

The condensate drain pipe must have a minimum slope of 2,5 cm/m in the flow direction.

In case of connection to the sewer it is necessary to provide a trap on the drain pipe.

Thermal insulation (6 mm mini) must be provided when necessary (risk of freezing or condensation).

## ELECTRICAL CONNECTIONS

The electrical box is situated behind the lower front pane.


General supply through the power terminals situated on the left in the electric box, behind the plastic protection cover.

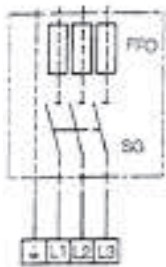
### CAUTION

In the case of a casing heater it must be started according to the compressor is located: 2 hours before starting of the unit for a temperature of 10°C and 4 hours before starting for a temperature of 0°C.


The outdoor units are supplied wired for a three-phase 400VAC 3-phase + Earth power supply voltage.

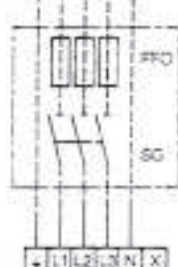
Power supply  
230VAC 3-phase + Earth

3 ~ 230 V - 50 Hz + 





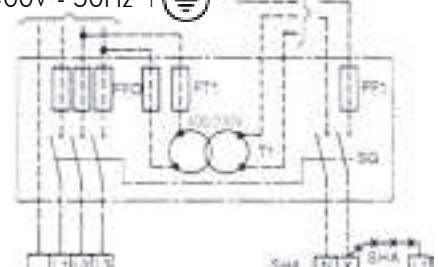
Power supply  
400VAC 3-phase + Earth  
(with neutral)

3N ~ 400V - 50Hz + 



Power supply  
3 ~ 400V + Earth  
(without neutral)

1 ~ 230V - 50Hz +   
3 ~ 400V - 50Hz + 



The shunt SHA (1) must be removed.

SG : GENERAL SELECTOR MANDATORY

FF0 - FF1 - FT1 : FUSE TYPE aM

T1 : TRANSFORMER 400/230 V

} to be supplied by installer (comply with local regulations)

### IMPORTANT

**Observe the correct order for the electrical connections, including the mains supply (phase, neutral, earth, etc...), in accordance with the markings on the terminal strip.**

### TRANSFORMER

Transformer (not supplied)

-For power supply 400VAC - 3-phase + Earth, without neutral

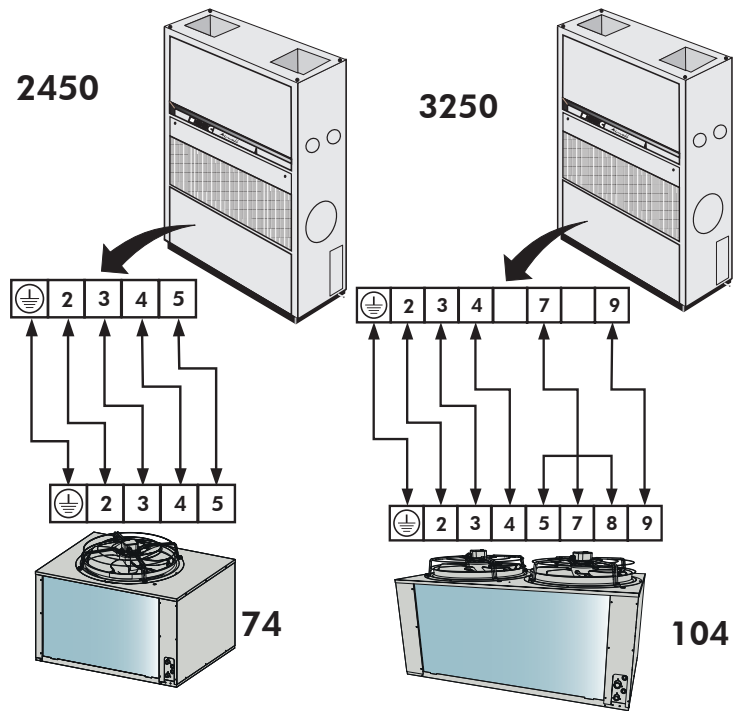
Nominal input power single phase transformer 400V - 230V	100 VA
--	--------



### INTERCONNECTIONS

**NOTE :** Motors **74** and **104** are coupled of single phase 400/230 V.coupling.

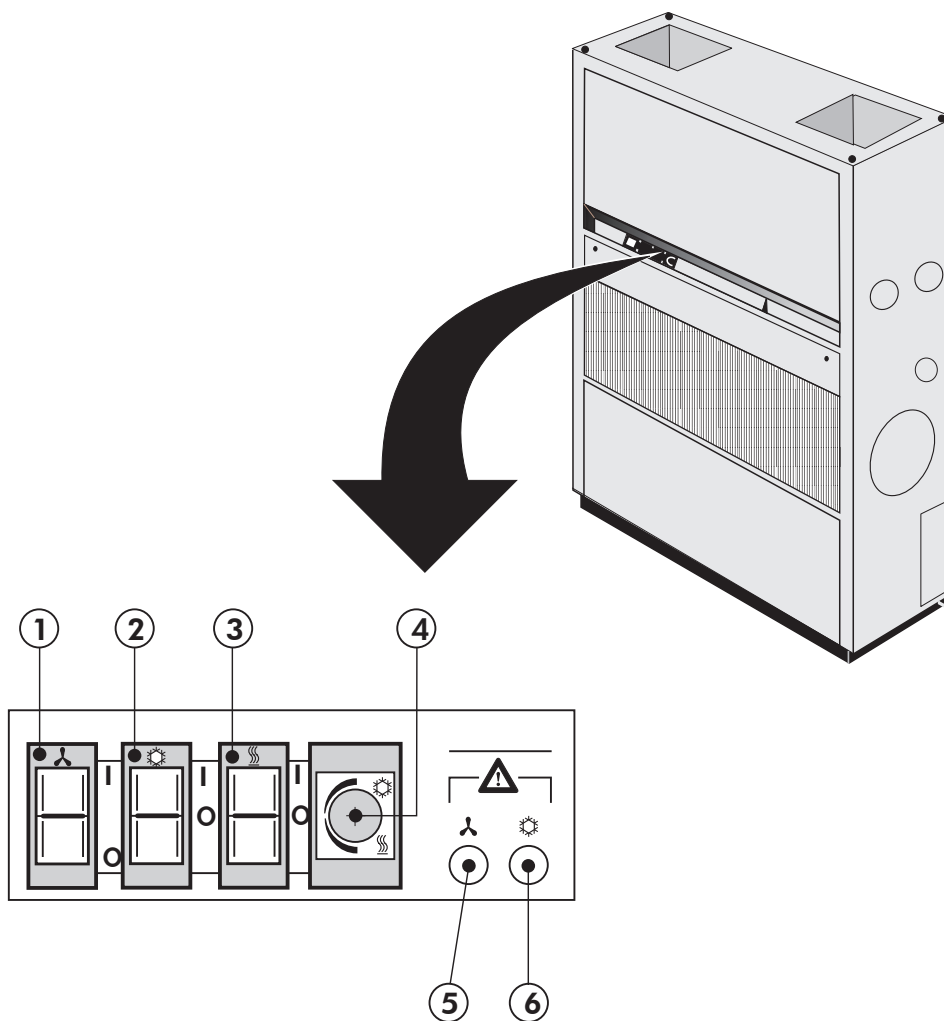
- They are supplied ex-factory coupled for 400 V between two phases.
- To are to be coupled on site at the power supply voltage of the cabinet, that is single phase 230 V for a three phase 230 V units.



### INTERCONNECTIONS WITH REMOTE CONTROL

		2450	3250
COOLING + FAN			
Nominal current	A	1	1
Maximum current	A	2	2
Starting current	A	3	3
Cable size	mm <sup>2</sup>	1.5	1.5

## CONTROL PANEL



1. Ventilation On/Off switch
  - 0 Off
  - 1 On with warning light
2. Cooling selection
  - 0 Off
  - 1 Cooling operation
3. Heating selection
  - 0 Off
  - 1 Heating operation
4. Ambience thermostat of the type:
  - Inversion (basic supply)
  - Neutral zone (accessory)
5. Fault ventilation
6. Fault compressor (HP pressure switch and thermic compressor).

INSTALLATION INSTRUCTION

**NOTICE D'INSTALLATION**

INSTALLATIONSHANDBUCH

ISTRUZIONI INSTALLAZIONE

INSTRUCCIONES DE INSTALACIÓN

English

**Français**

Deutsch

Italiano

Español

# SOMMAIRE

<b>RECOMMANDATIONS GENERALES</b> .....	<b>3</b>
CONSEILS DE SECURITE.....	3
AVERTISSEMENT.....	3
DONNEES DE SECURITE DU MATERIEL .....	4
<b>CONTRÔLE ET STOCKAGE</b> .....	<b>5</b>
<b>GARANTIE</b> .....	<b>5</b>
<b>COMPOSITION DU COLIS</b> .....	<b>6</b>
<b>DIMENSIONS</b> .....	<b>6</b>
POIDS .....	6
<b>SPECIFICATIONS TECHNIQUES</b> .....	<b>7</b>
ALIMENTATION ELECTRIQUE.....	7
LIAISON AVEC UNITÉ EXTERIEURE (UNITE A CONDENSATION PAR AIR) .....	7
<b>DESCRIPTION</b> .....	<b>8</b>
<b>INSTALLATION</b> .....	<b>9</b>
INSTALLATION DE L'UNITÉ INTERIEURE .....	9
DEGAGEMENT .....	9
POSITIONNEMENT DE L'UNITE.....	9
DIFFUSION ET REPRISE D'AIR .....	10
ACCÈS AUX FILTRES .....	10
INSTALLATION DE L'UNITÉ EXTERIEURE) .....	11
DÉGAGEMENTS À PRÉVOIR .....	11
EMPLACEMENT .....	11
FIXATION AU SOL.....	11
<b>RACCORDEMENTS FRIGORIFIQUES (UNITE A CONDENSATION PAR AIR).....</b>	<b>12</b>
LIAISONS FRIGORIFIQUES .....	12
CHARGE FRIGORIFIQUE .....	12
TUBE A REALISER SUR LE CHANTIER.....	12
CINTRAGE DES TUBES FRIGORIFIQUES.....	13
COUPLE DE SERRAGE DES VANNES FRIGORIFIQUES .....	13
CONSIGNES DE RACCORDEMENT DES VANNES A MEMBRANE CREVABLE (NON DEBROCHABLES).....	13
<b>RACCORDEMENT HYDRAULIQUE</b> .....	<b>14</b>
EVACUATION DE SÉCURITÉ.....	14
<b>RACCORDEMENTS ÉLECTRIQUES</b> .....	<b>14</b>
TRANSFORMATEUR.....	14
LIAISONS ELECTRIQUES .....	15
LIAISONS AVEC COMMANDE A DISTANCE .....	15
<b>PLATINE DE COMMANDE</b> .....	<b>16</b>



## **MISE HORS TENSION OBLIGATOIRE AVANT TOUTES INTERVENTIONS DANS LES BOITIERS ELECTRIQUES**

### **RECOMMANDATIONS GENERALES**

Lire attentivement les consignes de sécurité suivantes avant l'installation de l'appareil.

#### **CONSEILS DE SECURITE**

Lorsque vous intervenez sur votre matériel, suivez les règles de sécurité en vigueur.

L'installation, l'utilisation et l'entretien doivent être exécutés par du personnel qualifié connaissant bien la législation et la réglementation locales et ayant l'expérience de ce type d'équipement.

L'appareil doit être manipulé à l'aide de systèmes conçus pour résister à son poids.

Tous les câblages utilisateur doivent être réalisés conformément à la réglementation nationale correspondante.

Assurez-vous que l'alimentation électrique disponible et la fréquence du réseau sont adaptées au courant de fonctionnement nécessaire compte tenu des conditions spécifiques de l'emplacement, et du courant nécessaire à tout autre appareil branché sur le même circuit.

L'appareil doit être MIS A LA TERRE pour éviter les éventuels dangers résultant de défauts d'isolation.

Toute intervention sur des éléments électriques de l'appareil est interdite en présence d'eau et d'humidité.

#### **AVERTISSEMENT**

Couper l'alimentation électrique générale avant toute intervention ou opération d'entretien.

Lors du branchement hydraulique, veiller à éviter toute introduction de corps étrangers dans la tuyauterie.

**Le fabricant décline toute responsabilité et la garantie ne sera plus applicable si ces instructions d'installation ne sont pas respectées.**

Si vous avez des difficultés, faites appel au Service Technique de votre zone.

Avant la mise en place, procédez si possible au montage des accessoires obligatoires ou non. (Voir notice livrée avec chaque accessoire) .

Pour une meilleure connaissance du produit, nous vous conseillons de consulter également notre notice technique.

Les informations contenues dans cette notice sont sujettes à modifications sans préavis.

## DONNEES DE SECURITE DU MATERIEL

Données sur la sécurité	R407C
Degré de toxicité	Bas.
En contact avec la peau	Des éclaboussures ou une projection de fluide frigorigène peuvent causer des brûlures mais ne sont pas dangereuses en cas d'absorption. Dégeler les zones affectées avec de l'eau. Enlever les vêtements contaminés avec soin car ils peuvent coller à la peau en cas de brûlures dues au gel. Nettoyer les zones touchées avec de l'eau chaude en grande quantité. En cas d'apparition de symptômes (irritation ou formation d'ampoules), consulter un médecin.
En cas de contact avec les yeux	La vapeur n'a aucun effet. Des éclaboussures ou une projection de liquide peuvent causer des brûlures. Nettoyer immédiatement avec un collyre ou de l'eau propre pendant au moins 10 minutes. Consulter un médecin de toute urgence.
Ingestion	Presque impossible. Mais si cela arrive, des brûlures peuvent en résulter. Ne pas faire vomir. Lorsque le patient est conscient, lui laver la bouche avec de l'eau et lui faire boire environ 250 ml d'eau. Consulter un médecin de toute urgence.
Inhalation	R407C : Des concentrations atmosphériques importantes peuvent avoir un effet anesthésiant et entraîner une perte de connaissance. De très importantes expositions peuvent provoquer un rythme cardiaque anormal et entraîner une mort subite.  Avec une concentration plus élevée, il y a danger d'asphyxie à cause d'une baisse en oxygène dans l'atmosphère. Déplacer le patient vers l'air frais, le couvrir et le calmer. Lui faire inhaler de l'oxygène si nécessaire. Effectuer la respiration artificielle si le patient ne respire plus ou s'il manque d'air. Dans le cas d'un arrêt cardiaque, effectuer un massage cardiaque externe. Consulter immédiatement un médecin.
Autres conseils médicaux	Un traitement symptomatique de soutien est conseillé. Une sensibilité cardiaque peut, en présence de catécholamines en circulation telles que l'adrénaline, entraîner une augmentation des arythmies et ultérieurement, un arrêt cardiaque en cas d'exposition à de fortes concentrations.
Exposition de longue durée	R407C : une étude portant sur une inhalation à vie effectuée sur des rats montre que l'exposition à 50.000 ppm provoque des tumeurs bénignes sur les testicules. Ceci n'est pas considéré comme étant significatif pour les humains exposés à des concentrations égales ou inférieures à la limite d'exposition professionnelle.
Limites d'exposition professionnelle	R407C : Limite recommandée: 1000 ppm v/v - 8 hr TWA.
Stabilité	R407C : non précisé.
Conditions à éviter	L'utilisation en présence de feu ouvert, de surface portées au rouge et de niveaux d'humidité élevés.
Réactions dangereuses	Peut avoir une réaction violente au contact du sodium, du potassium, du baryum et d'autres métaux alcalino-terreux. Matériaux incompatibles : le magnésium et des alliages contenant plus de 2% de magnésium.
Produits de décomposition dangereux	R407C : de l'hydracide halogéné formé par la dissociation thermique et l'hydrolyse.
Précautions générales	Éviter d'inhaler d'importantes concentrations de vapeurs. Les concentrations atmosphériques devront être minimisées et conservées autant que faire se peut en dessous de la limite d'exposition professionnelle. La vapeur est plus lourde que l'air et se concentre à un niveau bas et dans des endroits réduits. Ventiler par extraction aux niveaux les plus bas.
Protection respiratoire	En cas de doute sur la concentration atmosphérique, des appareils de respiration agréés par les services de santé devront être utilisés. Ces appareils contiendront de l'oxygène ou permettront une meilleure respiration.
Stockage	Les bacs devront être placés dans un endroit sec et froid à l'abri de tout risque d'incendie, d'un ensoleillement direct et loin de toute source de chaleur telle que les radiateurs. Les températures ne devront pas dépasser 45 °C.
Vêtements de protection	Porter des combinaisons, des gants imperméables et des lunettes de protection ou un masque.
Procédure en cas de déversement ou de fuite	S'assurer que chacun porte bien les vêtements de protection adaptés ainsi que les appareils respiratoires. Si possible isoler la source de la fuite. Favoriser l'évaporation de petits déversements à condition qu'il y ait une ventilation appropriée. Déversements importants : ventiler la zone. Maîtriser les déversements avec du sable, de la terre ou toute autre matière absorbante appropriée. Empêcher le liquide de pénétrer dans les canalisations d'évacuation, les égouts, les sous-sols et les fosses de visite car la vapeur peut créer une atmosphère suffocante.
Evacuation des déchets	De préférence, à récupérer et à recycler. En cas d'impossibilité, assurer leur destruction dans une zone autorisée capable d'absorber et de neutraliser les acides et autres produits de fabrication toxiques.
Données anti-incendie	R407C : Non-inflammable en situation atmosphérique.
Bacs	Les bacs exposés au feu devront être maintenus froids par l'intermédiaire de jets d'eau. Les bacs peuvent éclater en cas de surchauffe.
Équipement de protection anti-incendie	En cas d'incendie, porter des inhalateurs autonomes et des vêtements de protection.

## CONTRÔLE ET STOCKAGE

A la réception de l'équipement, vérifier soigneusement tous les éléments en se référant au bordereau de transport afin de s'assurer que toutes les caisses et tous les cartons ont été reçus. Contrôler tous les appareils pour rechercher les dommages visibles ou cachés.

**En cas de détérioration, formuler des réserves précises sur le document de transport et envoyer immédiatement un courrier recommandé au transporteur en indiquant clairement les dommages survenus. Transmettre une copie de ce courrier au constructeur ou à son représentant.**

Ne pas poser ou transporter l'appareil à l'envers. Il doit être entreposé à l'intérieur, complètement à l'abri de la pluie, de la neige, etc. Les variations météorologiques (températures élevées et basses) ne doivent pas endommager l'appareil. Des températures excessivement élevées (à partir de 60 °C) peuvent détériorer certaines matières plastiques et provoquer des dommages permanents. De plus, certains composants électriques ou électroniques peuvent ne pas fonctionner correctement.

## GARANTIE

Les groupes sont livrés entièrement assemblés et après essais pour être prêts à fonctionner.

Toute modification sur les unités, sans accord écrit du constructeur, entraînera une annulation de la garantie.

Pour conserver la validité de la garantie, les conditions suivantes doivent impérativement être satisfaites :

- La mise en service devra être réalisée par des techniciens spécialisés des services agréés par le constructeur.
- La maintenance devra être réalisée par des techniciens formés à cet effet.
- Seules les pièces de rechange d'origine devront être utilisées.
- Toutes les opérations énumérées dans le présent manuel devront être effectuées dans les délais impartis.



**SI UNE DE CES CONDITIONS N'ÉTAIT PAS REMPLIE,  
LA GARANTIE SERAIT AUTOMATIQUÉMENT ANNULÉE.**

## COMPOSITION DU COLIS

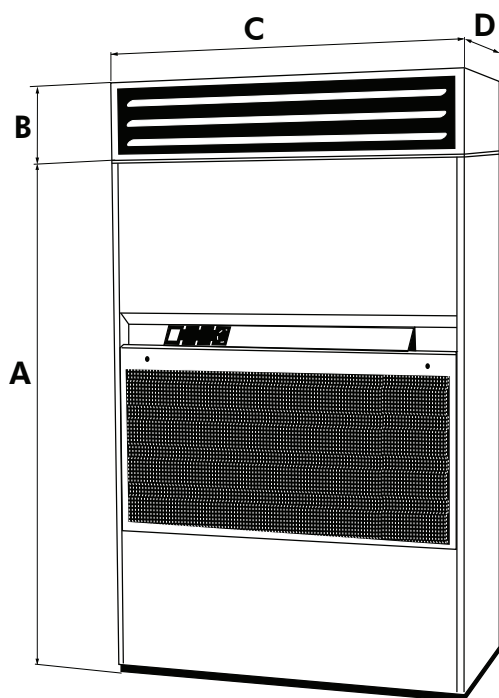
### X 2450 / X 3250

- 1 unité intérieure
- 1 schéma électrique
- 1 légende
- 1 lot de passe-fils

### UC 74 / UC 104

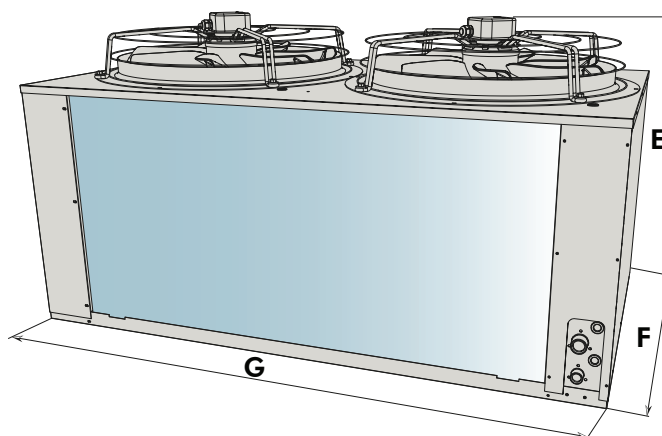
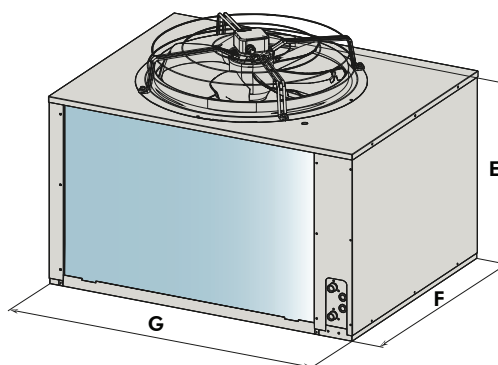
- 1 unité extérieure

## DIMENSIONS



		A	B	C	D
2450	mm	1840	350	1300	600
3250	mm	1840	350	1530	600

		E	F	G
74	mm	840	885	1141
104	mm	840	885	1546



## POIDS

		X ARV	X AO
2450	kg	265	305
3650	kg	350	380

		UC
74	kg	93
104	kg	130



# SPECIFICATIONS TECHNIQUES

## ALIMENTATION ELECTRIQUE

	2450				3250				
Type d'alimentation	3 ~230 V* - 50 Hz		3N ~400 V - 50 Hz		3 ~230 V* - 50 Hz		3N ~400 V - 50 Hz		
Modèles	X ARV	X AO	X ARV	X AO	X ARV	X AO	X ARV	X AO	
• Froid + Ventilation (VS/FV)									
Puissance absorbée nominale	kW	8.2/8.9	7.1/7.8	8.2/8.9	7.1/7.8	12.3/13.1	9.8/10.6	12.3/13.1	9.8/10.6
Intensité maximale	A	37/40	32/35	23/26	19/21	55/57	46/48	34/36	26/28
Intensité démarrage	A	145/154	124/133	83/86	71/74	200/220	176/196	117/128	96/107
Calibre fusible aM	A	40	32/40	25	20/25	63	50	40	32
Section de câble	mm <sup>2</sup>	10	6/10	4	2.5/4	16	10	6/10	6
• Chauffage électrique + Ventilation (VS/FV)									
Puissance absorbée nominale	kW	18.7/19.2	18.7/19.3	18.7/19.3	18.7/19.3	23.4/24.3	23.4/24.3	23.4/24.3	23.4/24.3
Intensité maximale	A	59/62	50/62	33/35	33/35	74/76	74/76	43/45	43/45
Intensité démarrage	A	145/154	124/133	83/86	71/74	200/220	176/196	117/128	96/107
Calibre fusible aM	A	63	63	40	40	80	80	50	50
Section de câble	mm <sup>2</sup>	16	16	10	10	25	25	10	10
• Froid + ventilation (VS/FV) + Chauffage électrique									
Puissance absorbée nominale	kW	26.2/26.9	25.1/25.8	26.2/26.9	25.1/25.8	34.8/35.6	32.3/33.1	34.8/35.6	32.3/33.1
Intensité maximale	A	91/94	86/89	54/56	49/51	122/124	113/115	73/75	65/67
Intensité démarrage	A	199/208	178/187	113/116	101/104	272/292	243/263	161/172	135/146
Calibre fusible aM	A	100	100	63	50/63	125	125	80	80
Section de câble	mm <sup>2</sup>	35	35	16	10/16	50	50	25	25

\* Interrupteur général non fourni; à la charge de l'installateur.

**VS:** Ventilation Standard

**FV:** Forte Ventilation

**NOTA :** 1 seul groupe Froid et 2x9 kW de chauffage sont considérés pour le fonctionnement en déshumidification.

### LIAISON AVEC UNITÉ EXTÉRIEURE (UNITE A CONDENSATION PAR AIR)

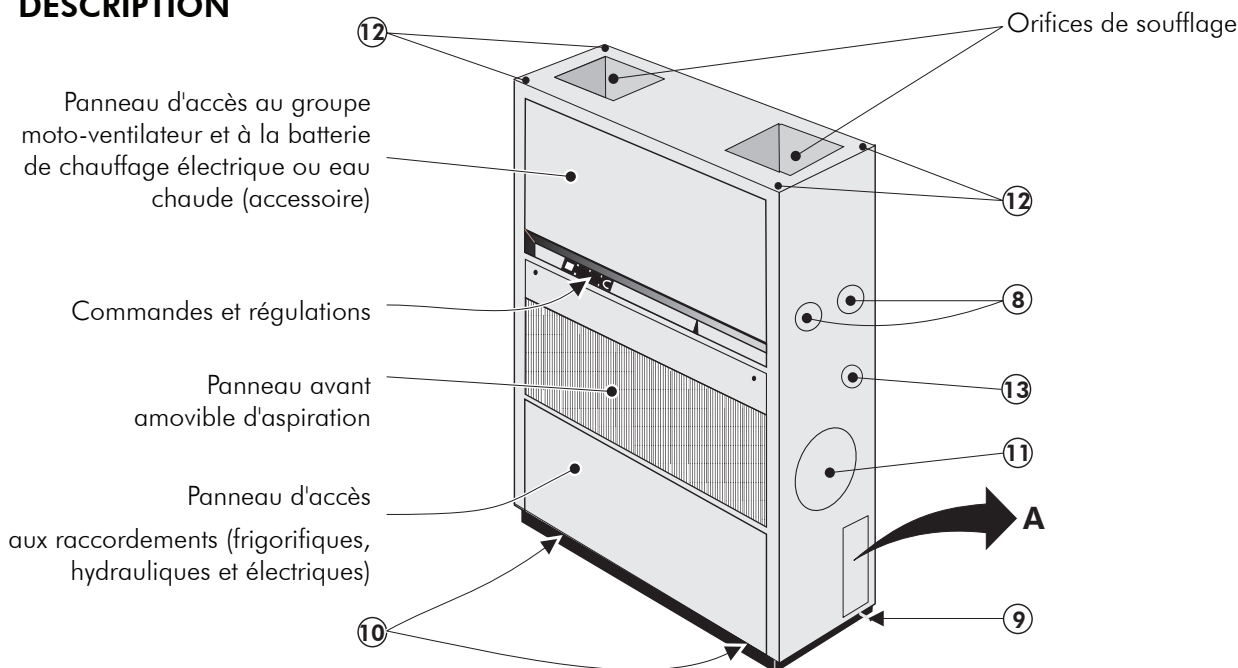
	2450	3250	
Type d'alimentation	3 ~230 V* - 50 Hz	3 ~230 V* - 50 Hz	
Unité extérieure	UC 74	UC 104	
Type d'alimentation	~230 V - 50 Hz	~230 V - 50 Hz	
Puissance absorbée nominale	W	611	1222
Intensité maximale	A	3.1	6.2
Intensité démarrage	A	5.5	11
Section de câble	mm <sup>2</sup>	1.5	1.5

\* **TRI 230 V** : Installation réglementée en France.

### IMPORTANT

Ces valeurs sont données à titre indicatif, elles doivent être vérifiées et ajustées en fonction des normes en vigueur: elles dépendent de l'installation et du choix des conducteurs.

## DESCRIPTION



1. Liaisons frigorifique vers UC (condensation par air)  
Alimentation eau de refroidissement (condensation par eau)
  - Sortie eau perdue = 2450 écrou 1" ( Ø 26- 34 )
  - Sortie eau recyclée = 2450 1" 1/4 ( Ø 33 - 42 )
  - Alimentation eau 3250 écrou 1" ( Ø 26 - 34 )
  - Alimentation eau 3250 écrou 1" 1/2 ( Ø 40 - 49 )

2. Liaisons frigorifique vers UC (condensation par air)  
Alimentation eau de refroidissement (condensation par eau)
  - Alimentation eau perdue = 2450 écrou 1" ( Ø 26- 34 )
  - Alimentation eau recyclée = 2450 1" 1/4 ( Ø 33 - 42 )
  - Sortie eau 3250 écrou 1" ( Ø 26 - 34 )
  - Sortie eau 3250 écrou 1" 1/2 ( Ø 40 - 49 )

3. Evacuation eau condensée – tube souple Ø 26x 32

4. Liaisons électriques – cas "Report de défauts"

5. Liaisons électriques – cas "Rappel de commande"

6. Alimentation électrique générale

7. Liaisons électriques vers les UC (condensation par air)

8. Entrée et sortie batterie eau chaude incorporée (M. Ø 33x42)

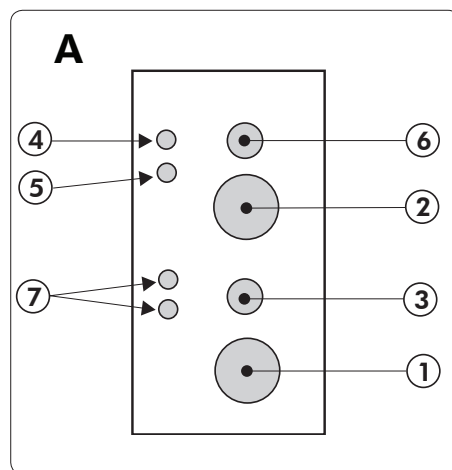
9. Evacuation de sécurité du fond de l'appareil (obturé par un bouchon)

10. Orifices de fixation de l'emballage (2 à l'avant – 2 à l'arrière) à boucher avec les boulons de fixation de l'appareil sur sa palette

11. Orifice Ø 200 mm de raccordement éventuel d'une gaine de reprise d'air neuf (à réaliser par l'Installateur)

12. Ecrous M8 situés sur 4 coins de l'armoire pour levage vertical (système palonnier).

13. Orifice Ø 29 pour canne à vapeur (hors fourniture) à monter obligatoirement à droite de l'appareil.



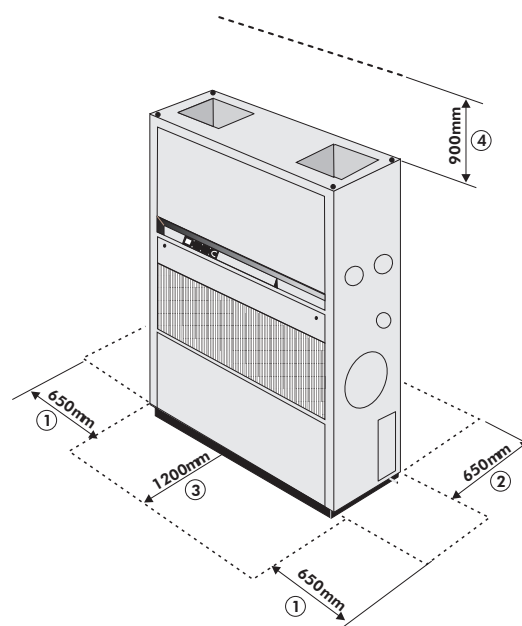
## INSTALLATION



L'unité n'est pas conçue pour supporter des poids ou tensions d'équipements adjacents, de tuyauterie et de constructions. Tout poids ou tension étranger pourrait entraîner un dysfonctionnement ou un effondrement pouvant être dangereux et causer des dommages corporels. Dans ces cas la garantie serait annulée.

### INSTALLATION DE L'UNITÉ INTERIEURE DÉGAGEMENT

1. du côté choisi pour les raccordements
2. cas reprise totale arrière
3. cas soufflage avant avec accessoire plenum
4. cas soufflage direct vertica



**RESPECTER LES DÉGAGEMENTS MINI.INDIQUÉS AUTOUR DE L'ARMOIRE.**

### POSITIONNEMENT DE L'UNITÉ



Le support de l'unité devra être prévu tel qu'indiqué dans ce manuel. Dans le cas d'un support inapproprié le personnel court un risque de dommages corporels.

L'unité doit être installée sur une fondation horizontale stable, suffisamment robuste pour supporter son poids en utilisation.

1. Elle doit être suffisamment haute pour assurer une bonne évacuation des condensats AVEC UN SIPHON.
2. L'unité doit être légèrement inclinée vers la sortie de condensat, pour permettre une évacuation directe des condensats.
3. Limiter les raccords de gaine au minimum pour réduire les pertes en gaine.
4. Lors du positionnement de l'unité, veiller à l'installer aussi loin que possible pour réduire le bruit.
5. Tous les raccordements électriques et raccordements de conduits à l'unité devront être du type flexible pour éviter la transmission de vibrations.
6. Outre les dégagements indiqués sur la feuille de dimensions, il est primordial de prévoir un accès sûr et approprié pour le dépannage et l'entretien.

Avant mise en place définitive de l'armoire, procéder au montage des accessoires lorsque ceux-ci sont prévus (chauffage, aspiration arrière ou latérale, plénum, etc ...). Pour cela, se référer aux documents spécifiques livrés avec chaque accessoire ou kit.

Déposer les panneaux avant supérieur, d'aspiration et inférieur en respectant les instructions ci-dessous.

➤ **DEPOSE DU PANNEAU AVANT SUPERIEUR A**

(Accès au motoventilateur, et à la batterie de chauffage électrique ou eau chaude (accessoire))

Dévisser les 2 vis, tirer vers l'avant et vers le bas.

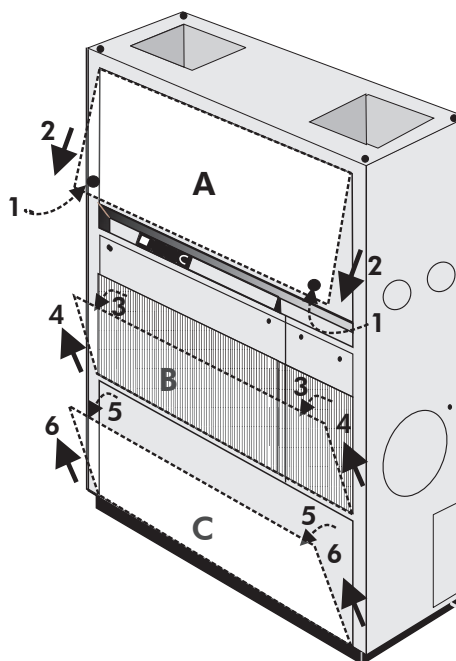
➤ **DEPOSE DU PANNEAU AVANT D'ASPIRATION B**

Tourner les 2 verrous d'un quart de tour et tirer vers l'avant puis, lever vers le haut.

➤ **DEPOSE DU PANNEAU AVANT INFERIEUR C**

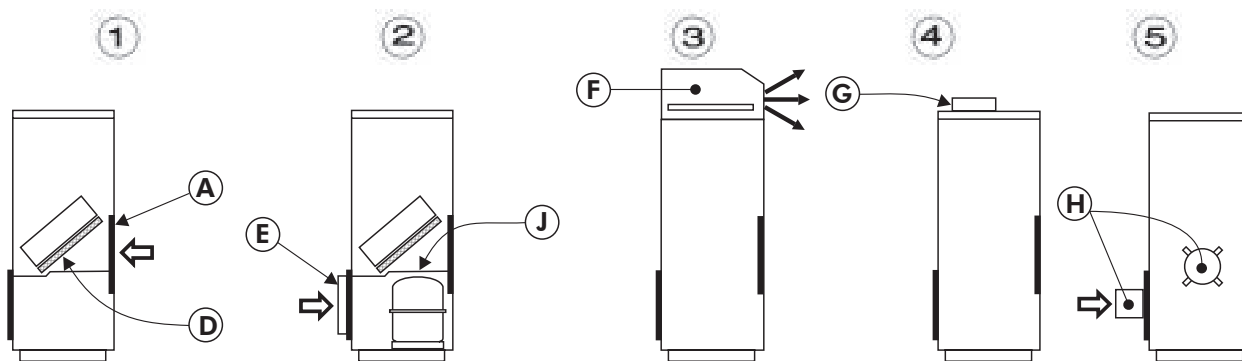
(Accès aux raccordements frigorifiques, hydrauliques et électriques)

Dévisser les 2 vis, tirer vers l'avant, lever vers le haut.



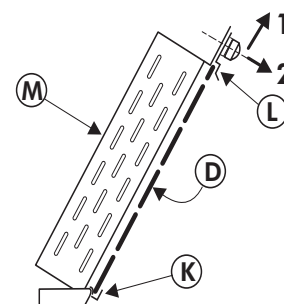
**DIFFUSION ET REPRISE D'AIR**

1. Reprise directe par le panneau avant amovible **A** et le filtre **D** (montage d'origine),
2. Reprise totale arrière par gaine :  
Éléments de raccordements de gaine **E** à monter à l'arrière de l'appareil (Déposer la tôle de bouchage **J**).
3. Soufflage direct par plénum de diffusion **F** avec grilles orientables (accessoire) fixé sur le dessus de l'appareil.
4. Soufflage par gaine :  
Éléments de raccordement de gaine de soufflage **G** (accessoire) à monter au dessus de l'appareil.
5. Possibilité de reprise partielle d'air neuf latéralement ou à l'arrière avec l'accessoire buse de reprise **H**.



**Accès aux filtres**

1. Dépose des panneaux d'aspiration.
2. Les filtres **D** sont maintenus :
  - dans les supports fixes **K**, situés en bas de l'évaporateur **M**
  - par les supports amovibles **L** situés en haut de l'évaporateur.
3. Pour les déposer :
  - **1** Lever
  - **2** Tirer.

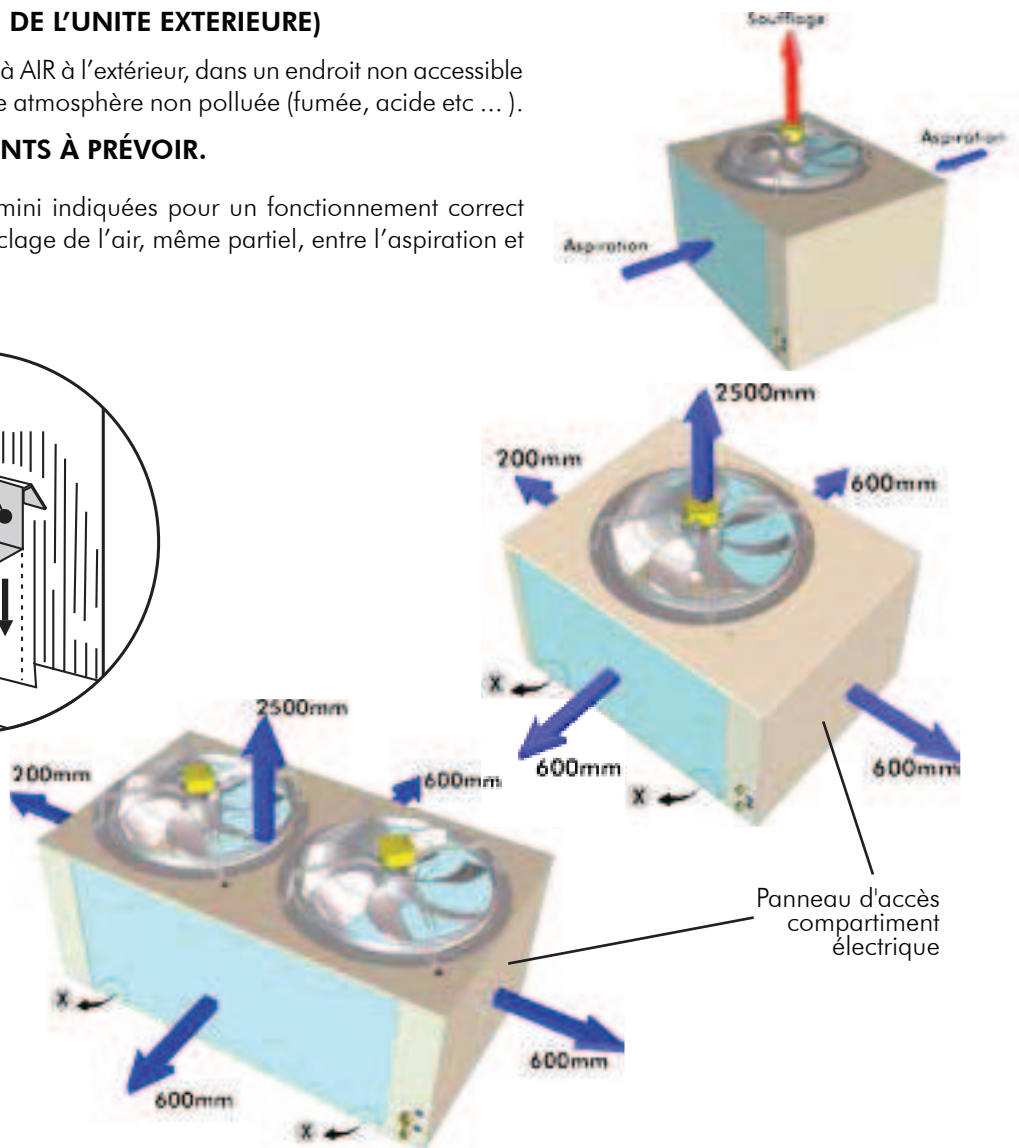
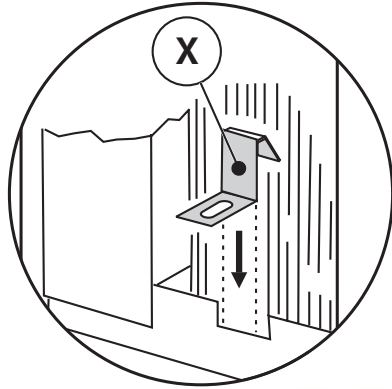


## INSTALLATION DE L'UNITE EXTERIEURE)

Placer le condenseur à AIR à l'extérieur, dans un endroit non accessible au public et dans une atmosphère non polluée (fumée, acide etc ...).

### DÉGAGEMENTS À PRÉVOIR.

Respecter les cotes mini indiquées pour un fonctionnement correct et pour éviter le recyclage de l'air, même partiel, entre l'aspiration et le soufflage de l'air.



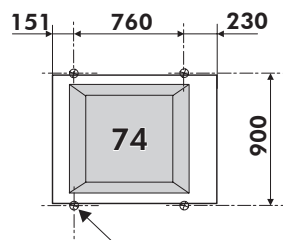
Français

### EMPLACEMENT.

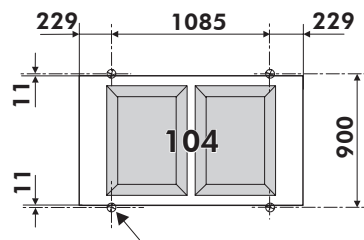
Installer le condenseur sur un support maçonnerie (dalle en béton) sur lequel il sera fixé.

### FIXATION AU SOL

**74** et **104** avec les pattes **X** utilisées pour fixer l'appareil sur sa palette

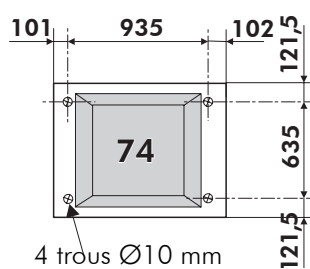


4 trous oblongs 9x16 mm

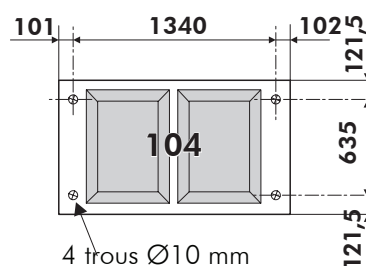


4 trous oblongs 9x16 mm

ou par les orifices prévus dans les bossages situés sous le fond de l'appareil. On y accède après dépose des panneaux latéraux.



4 trous Ø10 mm

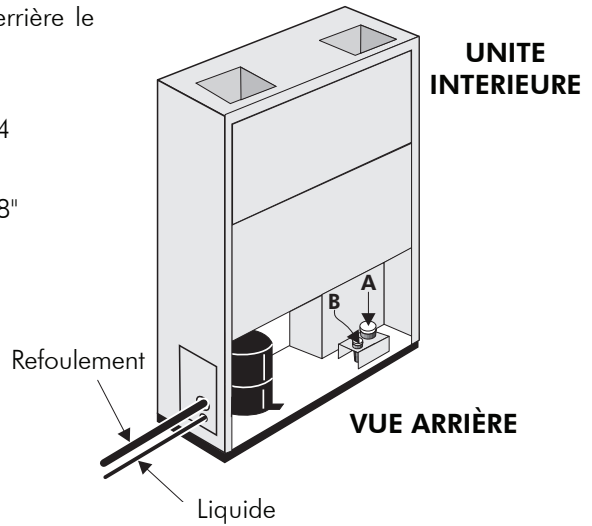
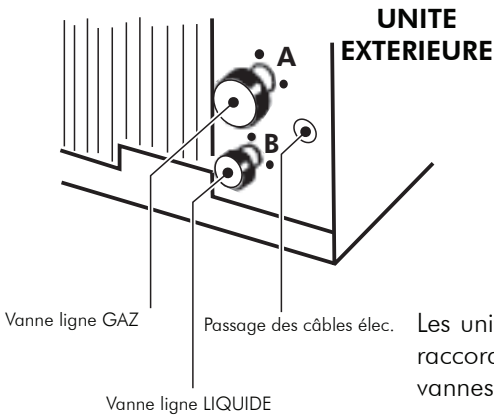


4 trous Ø10 mm

## RACCORDEMENTS FRIGORIFIQUES (UNITE A CONDENSATION PAR AIR)

Les vannes de raccordements frigorifiques sont situées derrière le panneau avant inférieur de l'appareil, vers l'arrière.

- Vanne A : ligne GAZ  
**2450** ➤ Ø 5/8"      **3250** ➤ Ø 3/4
- Vanne B : ligne LIQUIDE  
**2450** ➤ Ø 1/2"      **3250** ➤ Ø 5/8"



Les unités extérieures sont chargés en usine et sont équipés de vannes de raccordements frigorifiques. Respecter les consignes de raccordements des vannes à membranes non débouchables.

### LIAISONS FRIGORIFIQUES

- Livrées préchargées d'usine  
**LONGUEUR MAXI 25M.**
- Réalisées sur le chantier par l'installateur  
**LONGUEUR MAXI 45M.**

### CHARGE FRIGORIFIQUE

liaisons jusqu'à 45m:

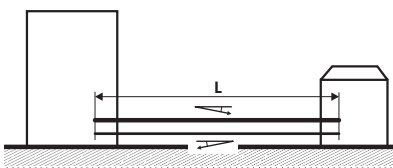
- Ligne GAZ:  
 précharge gazeuse
- Ligne LIQUIDE (au-dessus de 2m):  
**2450** ➤ 110g/m      **3250** ➤ 183g/m

Pour des liaisons frigorifiques d'une longueur comprise entre 25 et 45m (à réaliser sur le chantier) la détermination des diamètres, de la charge, et les précautions d'installation, doivent être réalisées suivant les règles de l'art.

### TUBE A REALISER SUR LE CHANTIER

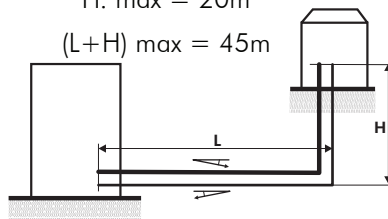
Condenseurs situés au même niveau que l'armoire

L. max = 45m



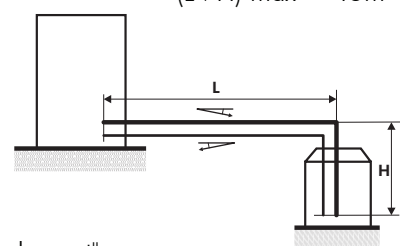
Condenseurs situés plus haut que l'armoire

H. max = 20m  
(L+H) max = 45m



Condenseurs situés plus bas que l'armoire

H. max = 9m  
(L+H) max = 45m

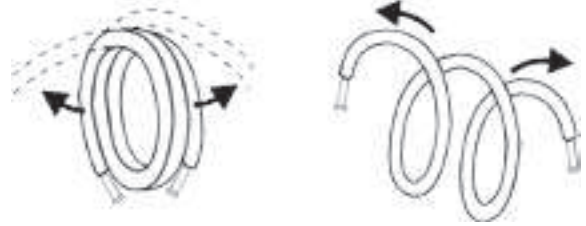


Pente minimale de 1 cm/m vers le bas

Tube "Refoulement"  
 Tube "Liquide"

Cette opération doit être effectuée par un personnel qualifié et en suivant les règles de l'art du frigoriste (brasure, tirage au vide, charge, etc...).

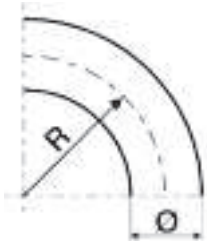
- Dérouler soigneusement les tubes dans le sens inverse des spires afin de ne pas les plier.



### CINTRAGE DES TUBES FRIGORIFIQUES

Le rayon de cintrage des tubes doit être égal ou supérieur à 3,5 fois le  $\varnothing$  extérieur du tube.

Ne pas cintrer les tubes plus de 3 fois consécutivement et ne pas effectuer plus de 12 coudes sur la longueur totale de la liaison.



### COUPLE DE SERRAGE DES VANNES FRIGORIFIQUES

- LIQUIDE:  
(petite vanne) 15Nm
- ASPIRATION:  
(grosse vanne) 55Nm

1 Newton-mètre = 0,1 mètre-kilo

### CONSIGNES DE RACCORDEMENT DES VANNES A MEMBRANE CREVABLE (NON DEBROCHABLES)

- S'assurer de l'alignement rigoureux des deux 1/2 corps de chacune des vannes
- Enlever les bouchons de protection vissés sur chaque 1/2 corps de vannes .
- S'assurer de la présence d'un corps gras à l'intérieur des vannes. Dans le cas contraire, huiler légèrement avec de l'huile frigorifique.
- Exécuter les premiers tours de serrage à la main pour s'assurer de la prise normale du filetage (vissage dans le sens des aiguilles d'une montre)
- Poursuivre le serrage à la clé, en maintenant la partie arrière ( côté tube ) avec une contre clé, jusqu'à constater une très forte résistance . A ce moment, pour obtenir une étanchéité durable, terminer le blocage final par 1/4 de tour de clé supplémentaire .
- La nécessité de cette dernière opération a pour but de serrer le joint métallique interne .

### NOTA

Avant d'arriver au serrage en "butée", il peut être constaté une très légère fuite de réfrigérant qui doit cesser rapidement .

- Vérifier l'étanchéité finale des raccordements.



**PAR MESURE DE SECURITE NE JAMAIS DECONNECTER  
CES VANNES SOUS PRESSION DE REFRIGERANT.**

## RACCORDEMENT HYDRAULIQUE

L'alimentation et la sortie de l'eau de refroidissement (condensation par eau) s'effectuent sur les flexibles, situés en partie basse de l'appareil, à l'extrémité desquels se trouvent des écrous libres.

Passage prévu à droite ou à gauche latéralement,

Evacuation des condensats : le tuyau souple (26 x 32) en attente dans la partie basse de l'appareil doit sortir par le prédéfoncé repère 3 page 8.

### EVACUATION DE SÉCURITÉ.

Le fond étanche de l'Unité Intérieure. permettant de récupérer les condensats ou débordements anormaux, est équipé d'une sortie latérale droite ou gauche: tube lisse Ø 22mm extérieur.

Le conduit d'évacuation de l'eau condensée doit avoir une pente minimale de 2,5 cm/m dirigée dans le sens de l'écoulement.

Dans le cas d'un raccordement à l'égoût, il est nécessaire de poser un siphon sur la canalisation d'évacuation.

L'isolation thermique (6mm mini) de l'évacuation devra être effectuée si nécessaire (risque de gel ou de condensation).

## RACCORDEMENTS ÉLECTRIQUES

Le coffret électrique est situé derrière le panneau avant inférieur.

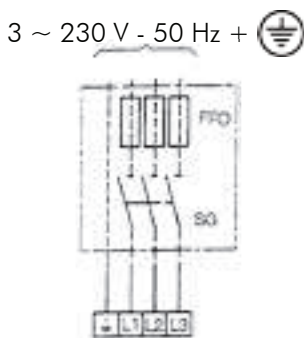
Alimentation générale sur les bornes de puissance situées à gauche dans le boîtier électrique, derrière le cache de protection en plastique.

### ATTENTION

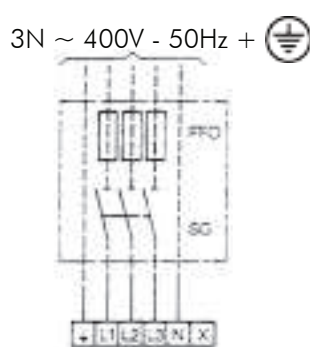
Dans le cas d'une résistance de carter. elle doit être mise en oeuvre en fonction de la température ambiante dans laquelle se trouve le compresseur : 2 heures avant commutation de l'appareil dans une ambiance de 10°C et 4 heures avant dans une ambiance de 0°C.

Les unités extérieures sont livrées pour une tension d'alimentation des armoires en 3N ~ 400V - 50Hz

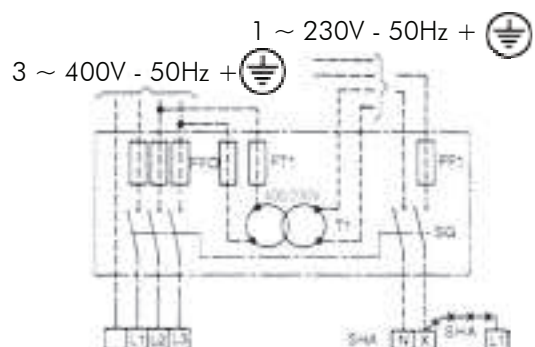
Alimentation  
3 ~ 230V + terre



Alimentation  
3N ~ 400V + terre (avec neutre)



Alimentation  
3 ~ 400V + terre (sans neutre)



SHA : shunt fourni, posé en usine

SG : Combiné général obligatoire  
FF0 - FF1 - FT1 : Fusible type aM  
T1 : Transformateur 400 V / 230 V } à fournir par l'installateur (respecter les réglementations locales)

### IMPORTANT

**Respecter le raccordement des liaisons électriques y compris l'alimentation secteur (phase, neutre, terre, etc...) par rapport au repérage du bornier.**

### TRANSFORMATEUR

Transformateur (non fourni)

- Pour alimentation 3 ~ 400V + Terre sans neutre

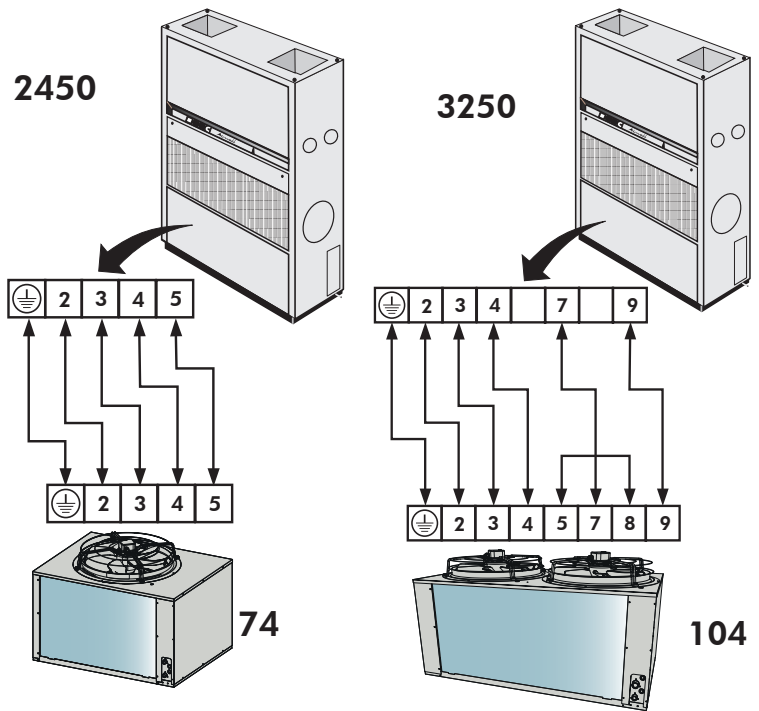
Puissance nominale transformateur MONO 400V - 230V	100 VA
---	--------



## LIAISONS ELECTRIQUES

**NOTA : Les moteurs 74 et 104 sont couplables mono 400/230 V.**

- Ils sont livrés d'usine couplés en 400 V entre deux phases.
- Ils sont à coupler sur chantier à la tension d'alimentation de l'armoire, c'est-à-dire mono 230 V pour une armoire tri 230 V.

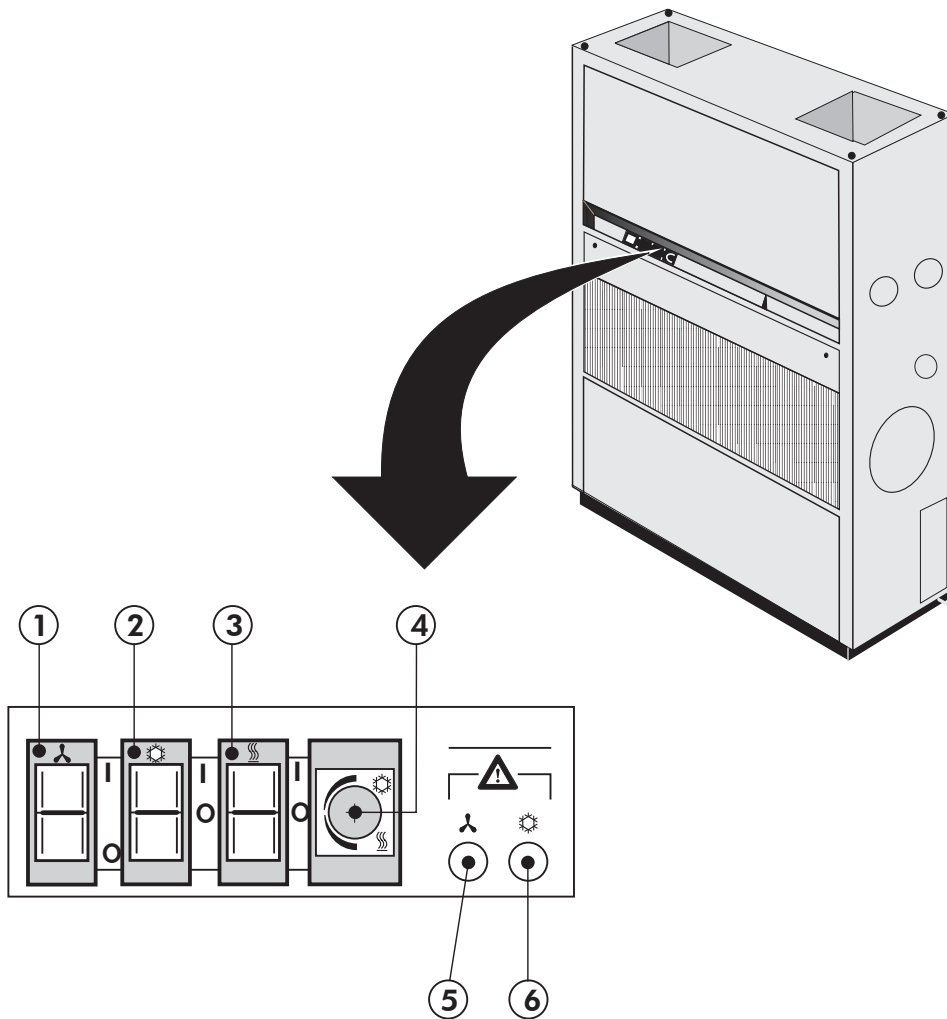


## LIAISONS AVEC COMMANDE A DISTANCE

		2450	3250
<b>FROID+VENTILATION</b>			
Intensité nominale	A	1	1
Intensité maximale	A	2	2
Intensité totale démarrage	A	3	3
Section cable	mm <sup>2</sup>	1.5	1.5

## PLATINE DE COMMANDE

Français



1. Interrupteur Marche/Arrêt ventilation  
0 Arrêt  
1 Marche avec voyant lumineux
2. Sélecteur froid  
0 Arrêt  
1 Marche froid
3. Sélecteur chaud  
0 Arrêt  
1 Marche chaud
4. Thermostat de régulation incorporé  
Inverseur (fourniture de base)  
A zone neutre (accessoire)
5. Défaut ventilation
6. Défaut compresseur (pressostat HP et thermostat compresseur)

INSTALLATION INSTRUCTION

NOTICE D'INSTALLATION

**INSTALLATIONSHANDBUCH**

ISTRUZIONI INSTALLAZIONE

INSTRUCCIONES DE INSTALACIÓN

English

Français

Deutsch

Italiano

Español

# INHALT

<b>ALLGEMEINE EMPFEHLUNGEN .....</b>	<b>3</b>
SICHERHEITSAUWEISUNGEN .....	3
WARNUNG .....	3
SICHERHEITSDATEN DER GERÄTE .....	4
<b>KONTROLLE UND LAGERUNG .....</b>	<b>5</b>
<b>GARANTIE .....</b>	<b>5</b>
<b>LIEFERUMFANG .....</b>	<b>6</b>
<b>ABMESSUNGEN .....</b>	<b>6</b>
NETTOGEWICHT .....	6
<b>TECHNISCHE SPEZIFIKATIONEN .....</b>	<b>7</b>
NETZANSCHLUSS .....	7
VERBINDUNGEN MIT AUSSENEINHEIT (EINHEIT LUFTKÜHLUNG) .....	7
<b>BESCHREIBUNG .....</b>	<b>8</b>
<b>INSTALLATION .....</b>	<b>9</b>
INSTALLATION DER INNENEINHEIT .....	9
WARTUNGSFREIRAUM .....	9
ANBRINGEN DER EINHEIT .....	9
LUFT-ANSAUG-UND AUSBLAS .....	10
ZUGANG ZU DEN FILTERN .....	10
INSTALLATION DES AUSSENEINHEIT .....	11
ZU BEACHTENDE ABSTÄNDE .....	11
AUFSTELLUNG .....	11
BEFESTIGUNG AM BODEN .....	11
<b>KÄLTETECHNISCHANSCHLÜSSE (EINHEIT LUFTKÜHLUNG) .....</b>	<b>12</b>
KÄLTEMITTELVERBINDUNGSLEITUNGEN .....	12
KÄLTEMITTELFÜLLUNG .....	12
BAUSEITIG GEFERTIGTE LEITUNGEN .....	12
KÄLTEMITTEL-VERBINDUNGSLEITUNGEN .....	13
ANZUGSDREHMOMENT KÄLTEMITTELKUPPLUNGEN .....	13
DIE VORSCHRIFTEN FÜR DEN ANSCHLUSS DER NICHT AUSZIEHBAREN PLATTENVENTILE BEFOLGEN .....	13
<b>HYDRAULIKANSCHLÜSSE .....</b>	<b>14</b>
SICHERHEITS DRAINAGE .....	14
<b>ELEKTRISCHE ANSCHLÜSSE .....</b>	<b>14</b>
TRANSFORMATOR .....	14
ELEKTRISCHE VERBINDUNGEN .....	15
VERBINDUNGEN MIT FERNBEDIENUNG .....	15
<b>BEDIENUNGSPLATTE .....</b>	<b>16</b>



## **VOR JEDEM EINGRIFF AN DEN ANSCHLUßKÄSTEN UNBEDINGT DAS GERÄT STROMLOS SCHALTEN!**

### **ALLGEMEINE EMPFEHLUNGEN**

Vor dem Installieren des Gerätes sind die folgenden Sicherheitsanweisungen aufmerksam durchzulesen.

#### **SICHERHEITSANWEISUNGEN**

Bei Eingriffen an Ihrem Gerät sind die geltenden Sicherheitsvorschriften zu befolgen.

Installation, Gebrauch und Wartung müssen von qualifiziertem Personal durchgeführt werden, das mit den Normen und örtlich geltenden Vorschriften gut vertraut ist und Erfahrung mit diesem Gerätetyp hat.

Zum Fördern des Gerätes müssen Systeme benutzt werden, die seinem Gewicht entsprechen.

Alle Benutzer-Verdrahtungen müssen in Übereinstimmung mit den jeweils geltenden Vorschriften des Landes hergestellt werden.

Vergewissern Sie sich, daß Stromversorgung und Netzfrequenz dem erforderlichen Betriebsstrom entsprechen, wobei die spezifischen Bedingungen des Aufstellungsorts und der erforderliche Strom für die anderen, an den gleichen Stromkreis angeschlossenen Geräte zu berücksichtigen sind.

Zur Vermeidung eventueller Gefahren infolge von Isolationsfehlern muss das Gerät GEERDET werden.

Bei Wasser oder Feuchtigkeit ist jeglicher Eingriff an den elektrischen Geräteteilen verboten.

#### **WARNUNG**

Vor jedem Eingriff oder vor Wartungsarbeiten an dem Gerät muß der Strom abgeschaltet werden.

Bei dem Hydraulikanschluss darauf achten, dass keine Fremdkörper in die Rohrleitung eindringen.

**Bei Nichtbefolgen dieser Anweisungen lehnt der Hersteller jede Verantwortung ab, und die Garantie wird ungültig.**

Bei Schwierigkeiten wenden Sie sich bitte an den für Ihren Bezirk zuständigen Technischen Kundendienst.

Vor dem Aufstellen falls möglich die vorgeschriebenen oder wahlfreien Zubehörteile montieren. (Siehe die mit den jeweiligen Zubehörteilen gelieferte Anleitung).

Um mit dem Gerät besser vertraut zu werden, empfehlen wir, auch unsere Technische Beschreibung durchzulesen.

Die in der vorliegenden Beschreibung enthaltenen Informationen können ohne vorherige Mitteilung geändert werden.

## SICHERHEITSDATEN DER GERÄTE

Sicherheitsdaten	R407C
Giftigkeitsgrad	Niedrig.
Bei Berührung mit der Haut	Kältemittelspritzer können Verbrennungen verursachen, sind aber ungefährlich bei einer Absorption. Die betroffenen Zonen mit Wasser behandeln. Die verschmutzten Kleidungsstücke vorsichtig ausziehen, denn sie können durch die durch den Frost verursachten Verbrennungen an der Haut kleben. Die betroffenen Zonen mit sehr viel warmem Wasser reinigen. Bei Symptomen (Reizungen oder Blasenbildung) einen Arzt aufsuchen.
Bei Berührung mit den Augen	Der Dampf hat keine Auswirkung. Flüssigkeitsspritzer können Verbrennungen verursachen. Sofort mit Augentropfen oder sauberem Wasser mindestens 10 Minuten lang reinigen. Sofort einen Arzt aufsuchen.
Schlucken	Fast unmöglich. Sollte es aber dazu kommen, können Verbrennungen entstehen. Nicht erbrechen lassen. Wenn der Patient bei Bewusstsein ist, seinen Mund mit Wasser auswaschen und ihm etwa 250 ml Wasser zu trinken geben. Sofort einen Arzt aufsuchen.
Einatmen	R407C: Größere Konzentrationen können eine betäubende Wirkung haben und zu Bewusstlosigkeit führen. Bei sehr langem Einatmen können Herzrhythmusstörungen entstehen und es kann zu einem plötzlichen Tod kommen.
	Bei noch höheren Konzentrationen besteht wegen der Sauerstoffverringerung in der Atmosphäre Erstickungsgefahr. Den Patienten an die frische Luft bringen, zudecken und beruhigen. Falls notwendig Sauerstoff einatmen lassen. Den Patient künstlich beatmen, wenn er nicht mehr atmet oder keine Luft mehr bekommt. Bei Herzstillstand eine äußere Herzmassage ausführen. Sofort einen Arzt aufsuchen.
Sonstige medizinische Ratschläge	Eine unterstützende symptomatische Behandlung wird empfohlen. Bei Vorhandensein von Catecholaminen im Kreislauf wie Adrenalin kann es bei Herzempfindlichkeit zu stärkerer Arrhythmie und später, wenn die Person sehr hohen Konzentrationen ausgesetzt ist, zu einem Herzstillstand kommen.
Sehr lange Einwirkungszeit	R407C: eine bei Ratten durchgeführte Untersuchung über ein Einatmen "auf Lebenszeit" hat ergeben, dass bei einer Einwirkung von 50.000 ppm gutartige Tumore an den Hoden entstehen. Für den Mensch, der Konzentrationen bis höchstens zu der beruflichen Belastungsgrenze ausgesetzt ist, wird dies nicht als bezeichnend angesehen.
Berufliche Belastungsgrenze	R407C: Empfohlene Grenze: 1000 ppm v/v - 8 hr TWA.
Stabilität	R407C: nicht angegeben.
Zu vermeidende Bedingungen	Die Verwendung in der Nähe von offenem Feuer, glühenden Flächen und bei hoher Feuchtigkeit.
Gefährliche Reaktionen	Kann bei Kontakt mit Natrium, Kalium, Barium und anderen erdalkalischen Metallen eine heftige Reaktion auslösen. Unverträgliche Stoffe: Magnesium und Legierungen mit mehr als 2% Magnesium.
Gefährliche Zersetzungsprodukte	R407C: Durch Thermolyse und Hydrolyse gebildete Halogenwasserstoffsäure.
Allgemeine Vorsichtsmaßnahmen	Das Einatmen hochkonzentrierter Dämpfe vermeiden. Die atmosphärischen Konzentrationen sollten minimal sein und möglichst unterhalb der beruflichen Belastungsgrenze gehalten werden. Der Dampf ist schwerer als Luft und wird in Bodennähe und engen Räumen konzentriert. Für Absauglüftung an den tiefsten Stellen sorgen.
Atemschutz	Falls Zweifel an der Konzentration bestehen, müssen von der Gesundheitsbehörde zugelassene Atemgeräte benutzt werden. Diese Geräte enthalten Sauerstoff oder ermöglichen eine bessere Atmung.
Lagerung	Die Behälter müssen trocken und kühl, vor jeglicher Brandgefahr, direkter Sonneneinstrahlung geschützt und fern von jeder Wärmequelle wie beispielsweise Heizkörper, gelagert werden. Die Temperaturen dürfen 45°C nicht überschreiten.
Schutzkleidung	Undurchlässige Anzüge, Handschuhe sowie eine Schutzbrille oder eine Maske tragen.
Vorgehensweise bei Verschütten oder Leckage	Sich vergewissern, dass alle die geeignete Schutzkleidung und die Atemgeräte tragen. Falls möglich die undichte Stelle isolieren. Bei kleineren Mengen ausgelaufenem Produkt dieses verdampfen lassen, vorausgesetzt, dass eine geeignete Lüftung vorhanden ist. Bei größeren Volumen: die Zone lüften. Das ausgelaufene Produkt mit Sand, Erde oder einem anderen absorbierenden Material abdecken. Verhindern, dass das Produkt in die Abwasserleitungen, den Unterboden und in Besichtigungsräumen eindringt, da der Dampf eine stickige Atmosphäre auslösen kann.
Beseitigung von Abfällen	Vorzugsweise Rückgewinnung und Recycling. Sollte das nicht möglich sein, für das Zerstören der Produkte in einer zugelassenen Zone sorgen, in der die Säuren und anderen giftigen Fertigungsprodukte absorbiert und neutralisiert werden können.
Brandschutzdaten	R407C: Unentflammbar in der Atmosphäre.
Behälter	Die dem Feuer ausgesetzten Behälter müssen mit Wasserstrahl gekühlt werden. Bei Überhitzung können die Behälter besten.
Brandschutzausrüstung	Bei einem Brand autonome Atemgeräte und Schutzkleidung tragen.

## KONTROLLE UND LAGERUNG

Bei Empfang der Ausrüstung müssen alle Elemente unter Bezugnahme auf den Lieferschein sorgfältig geprüft werden, um sicherzustellen, dass alle Kisten und Kartons eingegangen sind. Alle Geräte auf sichtbare oder versteckte Schäden prüfen.

**Bei Beschädigungen müssen genaue Vorbehalte auf dem Transportdokument eingetragen und sofort ein eingeschriebener Brief mit deutlicher Angabe der festgestellten Schäden an den Spediteur gesandt werden. Eine Kopie dieses Schreibens ist an den Hersteller oder seinen Vertreter zu senden.**

Das Gerät nicht "auf dem Kopf" stellen oder transportieren. Es muss in einem Raum, vollständig vor Regen, Schnee usw. geschützt, gelagert werden. Witterungsschwankungen (hohe und niedrige Temperaturen) dürfen das Gerät nicht beschädigen. Übermäßig hohe Temperaturen (über 60°C) können gewisse Kunststoffe beschädigen und dauerhafte Schäden verursachen. Außerdem ist es möglich, dass gewisse elektrische oder elektronische Bauelemente nicht mehr richtig funktionieren.

## GARANTIE

Die Aggregate werden vollständig montiert geliefert, sie wurden getestet und sind betriebsbereit.

Durch eine Änderung an den Geräten ohne schriftliche Zustimmung des Herstellers wird die Garantie hinfällig.

Damit die Garantie gültig bleibt, müssen die folgenden Bedingungen unbedingt eingehalten werden:

- Die Inbetriebnahme muss von spezialisierten Technikern der von dem Hersteller zugelassenen Dienststellen ausgeführt werden.
- Die Wartung muss von eigens dafür geschulten Technikern vorgenommen werden.
- Es dürfen nur Original-Ersatzteile verwendet werden.
- Alle in dem vorliegenden Handbuch erwähnten Arbeiten müssen innerhalb der gewährten Fristen ausgeführt werden.



**FALLS EINE DIESER BEDINGUNGEN NICHT ERFÜLLT WIRD,  
TRITT DIE GARANTIE AUTOMATISCH AUßER KRAFT.**

## LIEFERUMFANG

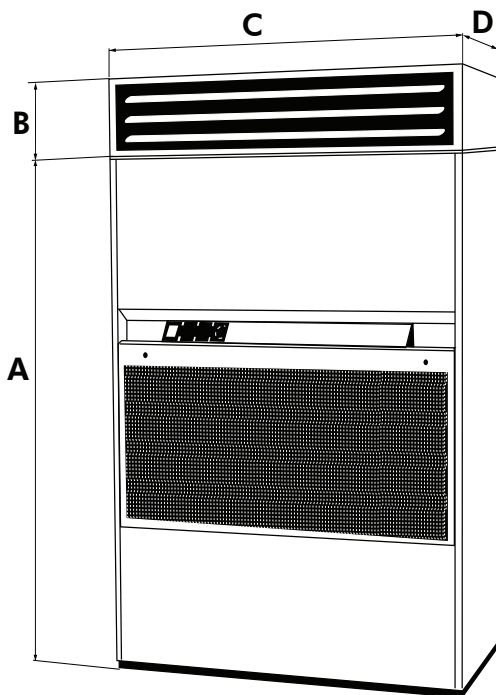
### X 2450 / X 3250

- 1 Innenteil
- 1 Stromlaufplan
- 1 Erläuterung
- 1 Satz Durchführungstüllen

### UC 74 / UC 104

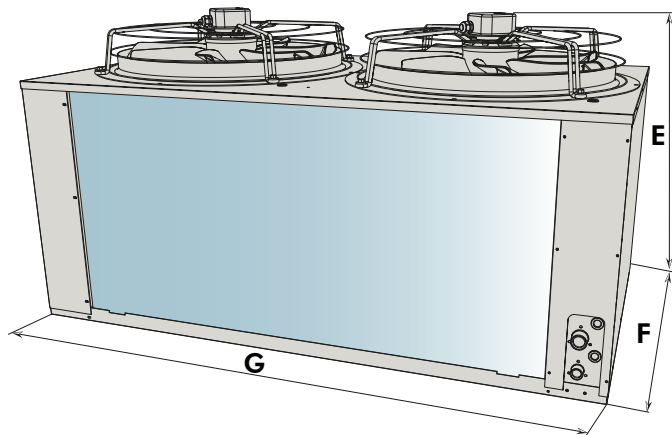
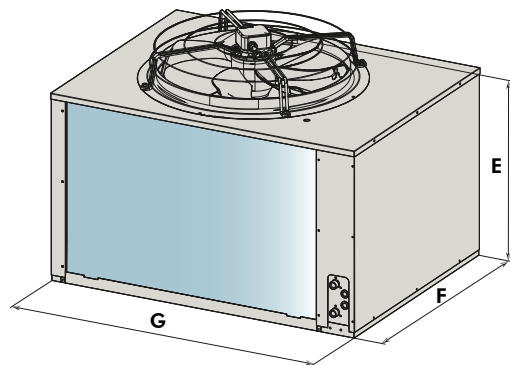
- 1 Außeneinheit

## ABMESSUNGEN



		A	B	C	D
2450	mm	1840	350	1300	600
3250	mm	1840	350	1530	600

		E	F	G
74	mm	840	885	1141
104	mm	840	885	1546



## NETTOGEWICHT

		X ARV	X AO
2450	kg	265	305
3650	kg	350	380

		UC
74	kg	93
104	kg	130



# TECHNISCHE SPEZIFIKATIONEN

## NETZANSCHLUSS

		2450				3250			
Netzanschluss		3 ~230 V* - 50 Hz		3N ~400 V - 50 Hz		3 ~230 V* - 50 Hz		3N ~400 V - 50 Hz	
Modell		X ARV	X AO	X ARV	X AO	X ARV	X AO	X ARV	X AO
• Kühlung + Lüftung (VS/FV)									
Leistungsaufn., Nennw.	kW	8.2/8.9	7.1/7.8	8.2/8.9	7.1/7.8	12.3/13.1	9.8/10.6	12.3/13.1	9.8/10.6
Maximalstromstärke	A	37/40	32/35	23/26	19/21	55/57	46/48	34/36	26/28
Anlaufstromstärke	A	145/154	124/133	83/86	71/74	200/220	176/196	117/128	96/107
Absicherung (träge)	A	40	32/40	25	20/25	63	50	40	32
Anzahl x Querschnitt	mm <sup>2</sup>	10	6/10	4	2.5/4	16	10	6/10	6
• E-Heizung + Lüftung (VS/FV)									
Leistungsaufn., Nennw.	kW	18.7/19.2	18.7/19.3	18.7/19.3	18.7/19.3	23.4/24.3	23.4/24.3	23.4/24.3	23.4/24.3
Maximalstromstärke	A	59/62	50/62	33/35	33/35	74/76	74/76	43/45	43/45
Anlaufstromstärke	A	145/154	124/133	83/86	71/74	200/220	176/196	117/128	96/107
Absicherung (träge)	A	63	63	40	40	80	80	50	50
Anzahl x Querschnitt	mm <sup>2</sup>	16	16	10	10	25	25	10	10
• Kühlung + Lüftung (VS/FV) +E-Heizung (oder Entfeuchtung)									
Leistungsaufn., Nennw.	kW	26.2/26.9	25.1/25.8	26.2/26.9	25.1/25.8	34.8/35.6	32.3/33.1	34.8/35.6	32.3/33.1
Maximalstromstärke	A	91/94	86/89	54/56	49/51	122/124	113/115	73/75	65/67
Anlaufstromstärke	A	199/208	178/187	113/116	101/104	272/292	243/263	161/172	135/146
Absicherung (träge)	A	100	100	63	50/63	125	125	80	80
Anzahl x Querschnitt	mm <sup>2</sup>	35	35	16	10/16	50	50	25	25

\* Hauptschalter nicht geliefert; zu Lasten des Installateurs.

**VS:** Standardlüftung

**FV:** Starke Lüftung

**Anmerkung :** Für Entfeuchten ist der Betrieb von 1 Kompressor und 2x9 kW heizung zugrundegelegt.

## VERBINDUNGEN MIT AUSSENEINHEIT (EINHEIT LUFTKÜHLUNG)

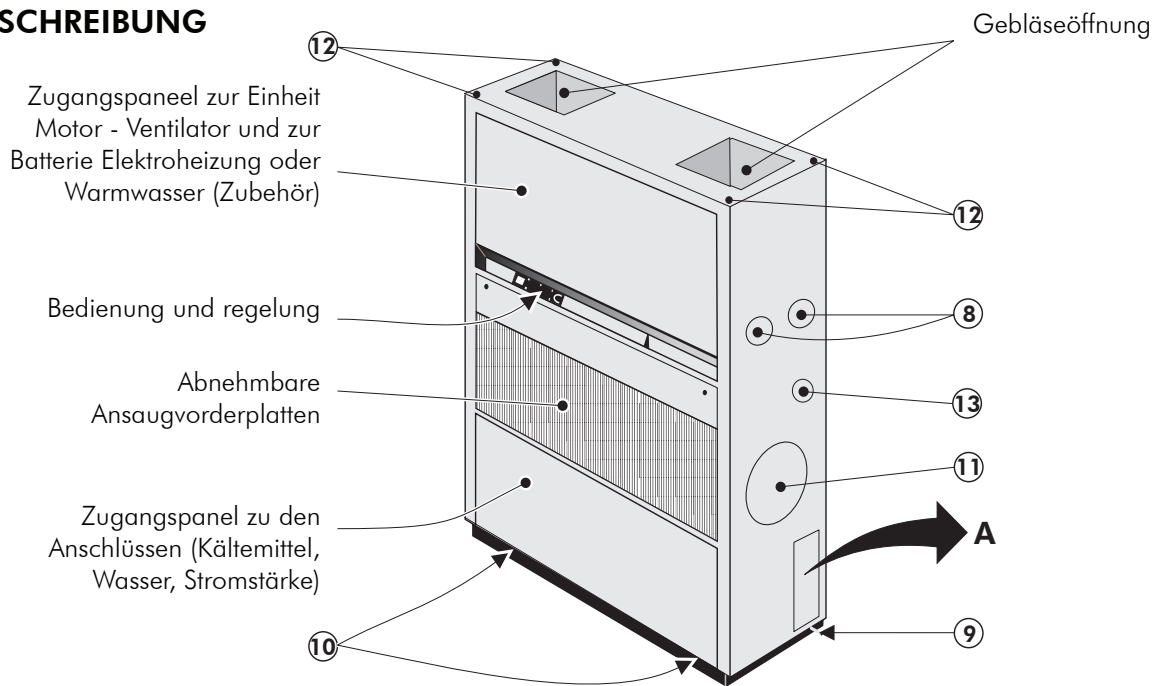
		2450	3250
Netzanschluss		3 ~230 V* - 50 Hz	3 ~230 V* - 50 Hz
Leistung pro Ausseneinheit		UC 74	UC 104
Netzanschluss		~230 V - 50 Hz	~230 V - 50 Hz
Leistungsaufn., Nennw.	W	611	1222
Maximalstromstärke	A	3.1	6.2
Anlaufstromstärke	A	5.5	11
Anzahl x Querschnitt	mm <sup>2</sup>	1.5	1.5

\* **Drehstrom 230V** : Installation in Frankreich reglementiert

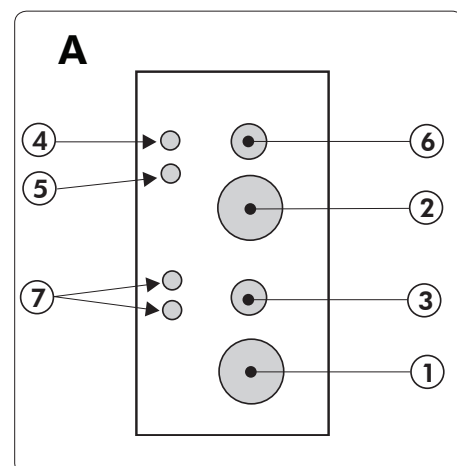
### wichtig

Diese Werte dienen als Hinweis; sie müssen in Übereinstimmung mit den geltenden Normen überprüft und angepaßt werden: sie hängen jeweils von der Anlage und der Wahl der Drahtarden ab.

## BESCHREIBUNG



1. Kältemittel-Verbindungsleitungen nach UC (Fall bei LUFT)  
Kühlwasserversorgung (Fall bei WASSER)
  - Austritt Stadtwasser = 2450 Mutter 1" ( Ø 26- 34 )
  - Austritt Kühlturmwasser = 2450 1" 1/4 ( Ø 33 - 42 )
  - Wasserzufuhr 3250 Mutter 1" ( Ø 26 - 34 )
  - Wasserzufuhr 3250 Mutter 1" 1/2 ( Ø 40 - 49 )
2. Kältemittel-Verbindungsleitungen nach UC (Fall bei LUFT)  
Kühlwasserversorgung (Fall bei WASSER)
  - Stadtwasserzufuhr = 2450 Mutter 1" ( Ø 26- 34 )
  - Kühlturmwasserzufuhr = 2450 1" 1/4 ( Ø 33 - 42 )
  - Wasseraustritt 3250 Mutter 1" ( Ø 26 - 34 )
  - Wasseraustritt 3250 Mutter 1" 1/2 ( Ø 40 - 49 )
3. Kondensatwasserableitung – Schlauch Ø 26x32
4. Stromleitung – Fall "Störmeldung"
5. Stromleitung – Fall "Fernbedienung"
6. Allgemeine Stromversorgung
7. Stromleitungen zu den ECU oder SCU– Fall bei LUFT
8. Eingebauter Ein-/Ausgang Warmwasserblock – F Ø 33x42
9. Sicherheitsableitung aus dem Geräteboden (mit einem Stopfen verschlossen)
10. Befestigungslöcher der Verpackung (2 vorne – 2 hinten) – mit den Befestigungsbolzen des Geräts auf der Palette schließen.
11. Eventuelles Anschlussloch Ø 200 mm eines Frischluft-Ansaugkanals (vom Installateur herzustellen)
12. Muttern M8 an den 4 Ecken des Schrank für vertikales Anheben (Krantraversen-System).
13. Öffnung Durchmesser 29 für Stock mit dem Dampf (ausgenommen Zubehör) zum oben obligatorisch Gehen auf das Recht des Apparates.



## INSTALLATION

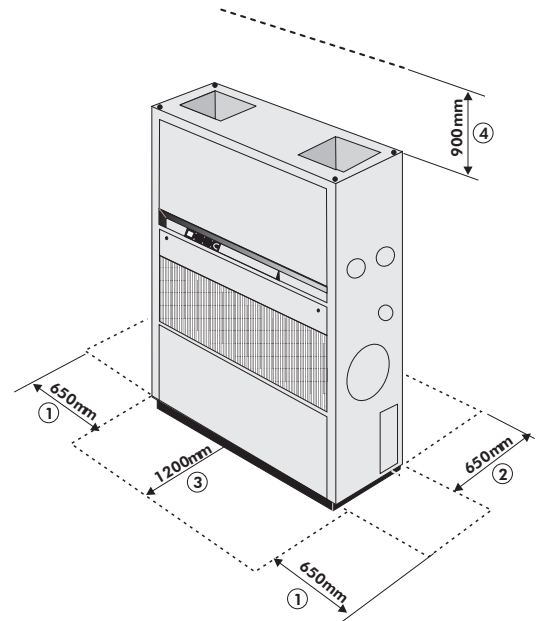


Die Einheit ist nicht dafür ausgelegt, Gewichte oder Spannungen von benachbarten Vorrichtungen, Rohrleitungen oder Konstruktionen zu verkraften. Fremdgewichte oder Fremdspannungen könnten eine Funktionsstörung oder ein Zusammenbrechen verursachen, das gefährlich sein und zu Personenschäden führen kann. In diesem Falle würde die Garantie hinfällig.

### INSTALLATION DER INNENEINHEIT

#### WARTUNGSFREIRAUM

1. Seite für Anschlüsse
2. Fall Gesamtansaug hinten
3. Fall Ausblas nach vorne (Zubehör Ausblashaube)
4. Fall Vertikaler Direktausblas



#### DIE UM DAS GERÄT HERUM ANGEgebenEN MINDESTABSTÄNDE BEACHTEN

#### ANBRINGEN DER EINHEIT



Die Auflage des Gerätes muss den Angaben in dem vorliegenden Handbuch entsprechen. Eine ungeeignete Auflage kann zu Personenschäden führen.

Das Gerät muss auf einer stabilen, waagerechten Unterlage installiert werden, die stark genug für das gesamte Betriebsgewicht ist.

1. Es muss hoch genug für einen ungehinderten Abfluss des Kondensatswassers sein, und die eventuell vorhandenen Eisblöcke müssen während dem Entfrostszyklus von dem Kühler abfallen können.
2. Das Gerät muss leicht in Richtung des Kondenswasseraustritts geneigt werden, um einen direkten Kondenswasserabfluss zu ermöglichen.
3. Die Kanalanschlüsse auf ein Mindestmaß begrenzen, um den Verlust im Kanal zu reduzieren.
4. Beim Anbringen der Einheit darauf achten, dass sie zwecks Lärmbekämpfung so entfernt wie möglich installiert wird.
5. Alle elektrischen Anschlüsse und Leitungsanschlüsse an das Gerät müssen mit biegsamen Verbindungsstücken hergestellt werden, um Schwingungsübertragungen zu vermeiden.
6. Außer den auf dem Abmessungsblatt angegebenen Freiräumen muss unbedingt ein sicherer und geeigneter Zugang für Wartungs- und Reparaturzwecke vorgesehen werden..

Vor der definitiven Aufstellung des Gerätes das Zubehör einbauen falls es vorgesehen ist (Heizung, Ansaug hinten oder seitlich, Ausblashaube, usw ...). Dazu die mit jedem Zubehör (Einbausatz) gelieferten spezifischen Dokumente zu Rate ziehen.

Die vorderen Oberpaneele, Ansaugpaneele und unteren Paneele ausbauen, wobei die unteren Vorschriften zu beachten.

➤ **AUSBAU DES VORDEREN OBERPANELS A**

(Zugriff zu dem Lüftersatz und zu der elektrischen Heizbatterie oder Warmwasserbatterie (Zubehöerteil))

Die 2 Schrauben aufschrauben, nach vorne und dann unten oben abziehen.

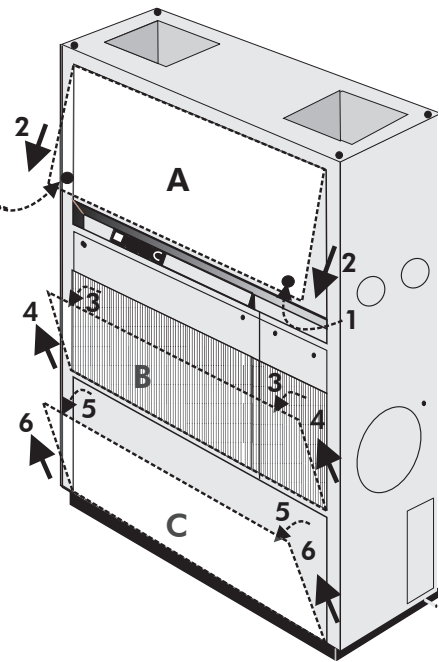
➤ **AUSBAU DES VORDEREN ANSAUGPANELS B**

Die beiden Riegel um eine Vierteldrehung drehen und nach vorne ziehen, dann nach oben abheben.

➤ **AUSBAU DES UNTEREN VORDERPANELS C**

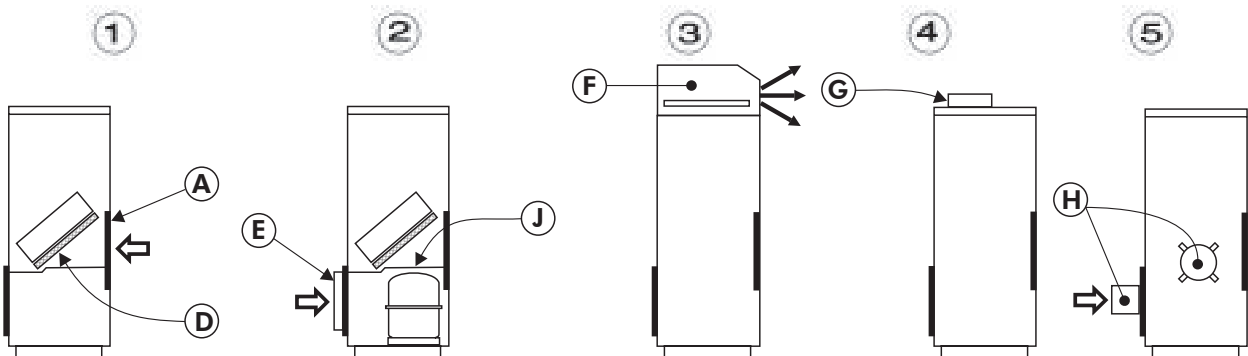
(Zugriff za den Kältemittelverbindungen, hydraulischen und elektrischen Anschlüssen)

Die 2 Schrauben aufschrauben, nach vorne ziehen und dann nach oben abheben.



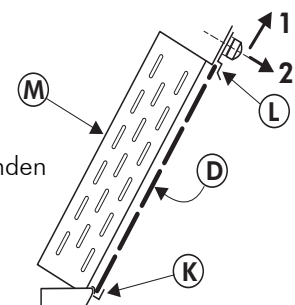
**LUFT-ANSAUG-UND AUSBLAS**

1. Direktansaug durch das herausnehmbare Vorderpanel **A** und das Filter **D** (Normalausführung).
2. Gesamtansaug hinten über Kanäle  
Kanalanschlüsselemente **E** auf der Rückseite des Gerätes einzubauen (Verschlussblech **J** abnehmen).
3. Direktausblas über Ausblashaube **F** mit orientierbarem Gitter (Zubehör) wird auf der Oberseite des Gerät eingebaut.
4. Ausblas über Kanäle :  
Auschlüsselemente für Ausblaskanäle **G** (Zubehör), auf das Gerät einzubauen.
5. Möglichkeit für partiellen Frischluftansaug, Seitlich oder hinten mit Zubehör Ansaugstutzen **H**.



**Zugang zu den filtern**

1. Abbauen der Ansaugplatten
2. Die Filter **D** werden festgehalten :
  - in den festen Trägern **K**, die sich unten am Verdampfer **M** befinden
  - mit den abnehmbaren Trägern **L**, die sich oben am Verdampfer befinden
3. Um Sie abzubauen :
  - **1** Anheben
  - **2** Ziehen.

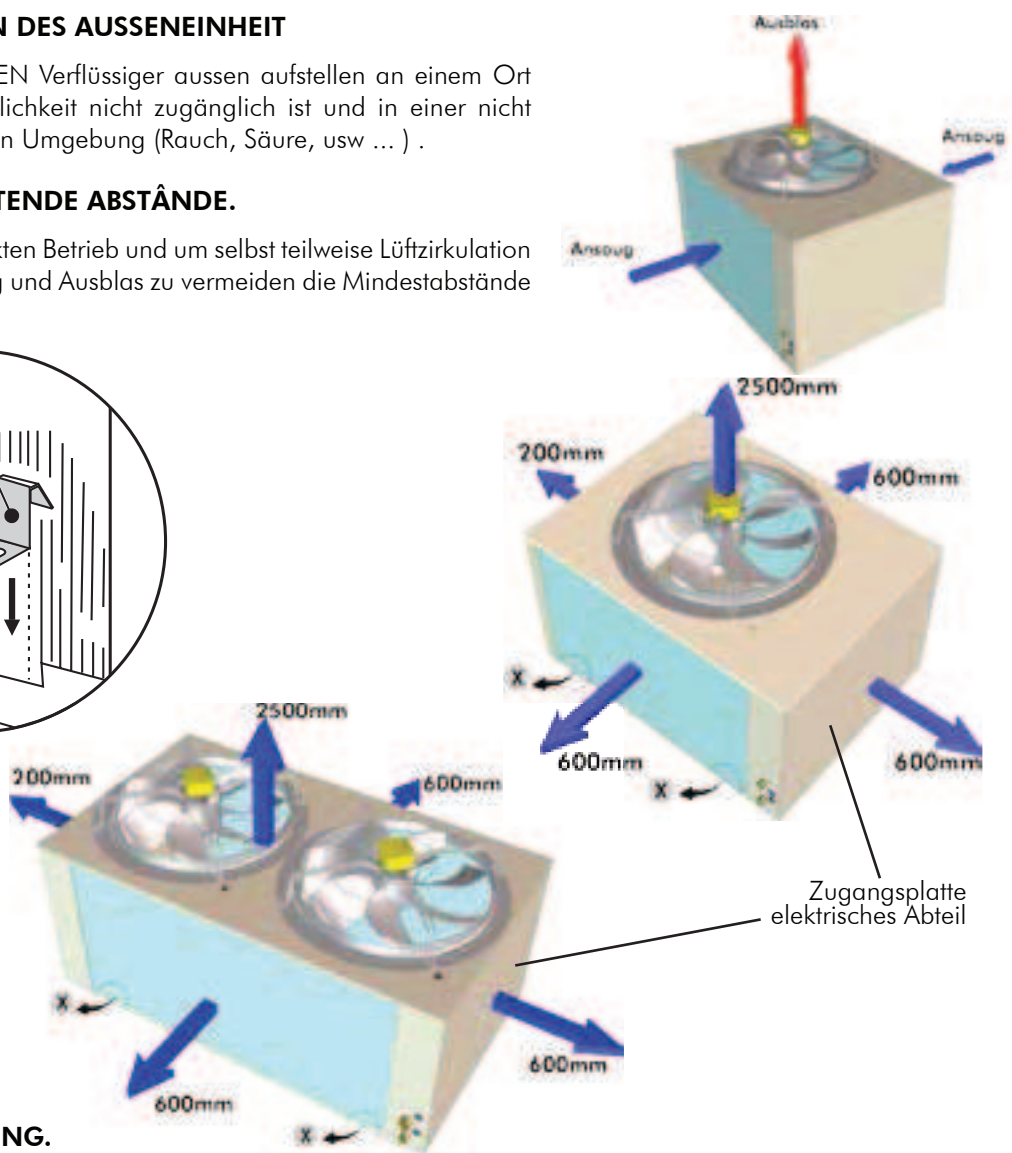
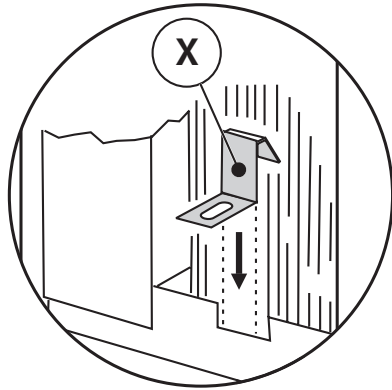


## INSTALLATION DES AUSSENEINHEIT

Die LUFTGEKÜHLTEN Verflüssiger aussen aufstellen an einem Ort welcher der Öffentlichkeit nicht zugänglich ist und in einer nicht umweltverschmutzten Umgebung (Rauch, Säure, usw ... ) .

### ZU BEACHTENDE ABSTÄNDE.

Die für einem korrekten Betrieb und um selbst teilweise Lüftzirkulation zwischen Luftansaug und Ausblas zu vermeiden die Mindestabstände beachten.

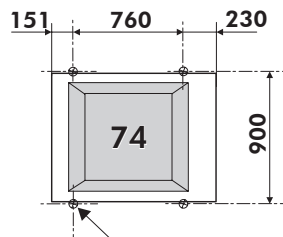


### AUFSTELLUNG.

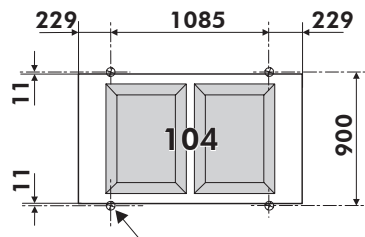
Die LUFTGEKÜHLTEN Verflüssiger auf einern gemauerten Untersatz (Betonplatte) aufbauen und darauf befestigen.

### BEFESTIGUNG AM BODEN

**74** und **104** Mit den Laschen **X**, die benutzt werden, um das Gerät auf seiner Palette zu befestigen

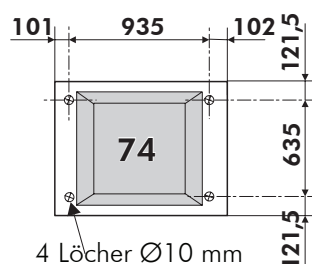


4 längliche Löcher 9x16 mm

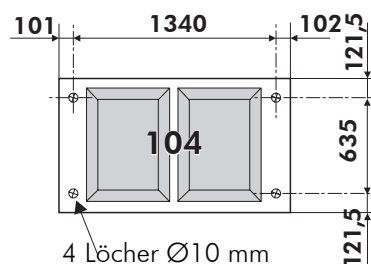


4 längliche Löcher 9x16 mm

oder über die in den unter dem Geräteboden angeordneten Wulsten vorgesehenen Öffnungen, die nach Abbau der Seitenplatten zugänglich sind.



4 Löcher Ø10 mm

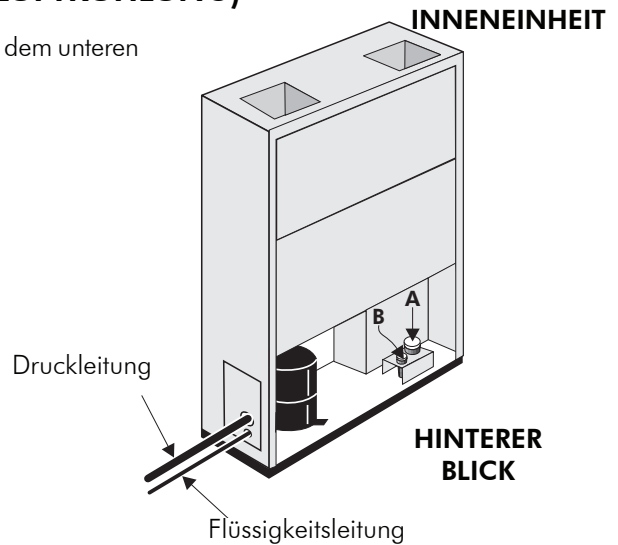
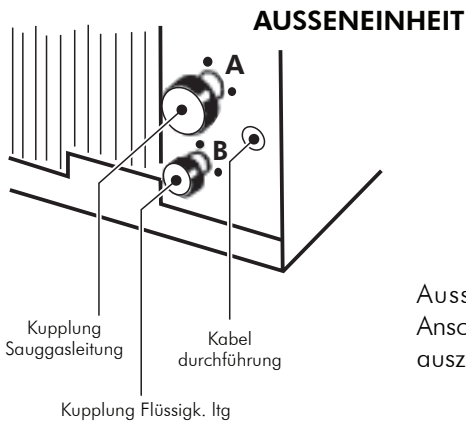


4 Löcher Ø10 mm

## KÄLTETECHNISCHEANSCHLÜSSE (EINHEIT LUFTKÜHLUNG)

Die kältetechnischen Anschlusskupplungen befinden sich hinter dem unteren Vorderpanel des Gerätes, zur Rückseite hin gelegen.

- Kupplung A Saugleitung  
**2450** ➤ Ø 5/8"      **3250** ➤ Ø 3/4
- Kupplung B Flüssigkeitsleitung  
**2450** ➤ Ø 1/2"      **3250** ➤ Ø 5/8"



Ausseneinheit werden fabrikmässig vorgefüllt und Kältetechnischen Anschlusskupplungen ausgerüstet. Die Vorschriften für den Anschluß der nicht ausziehbaren Plattenventile befolgen.

### KÄLTEMITTELVERBINDUNGSLEITUNGEN

- In der Fabrik Vorgefüllt :  
**MAXIMALLÄNGE 25M.**
- Ver Ort vom Installateur hergestellt  
**MAXIMALLÄNGE 45M.**

### KÄLTEMITTELFÜLLUNG

Verbinclungsleitung bis 45 m :

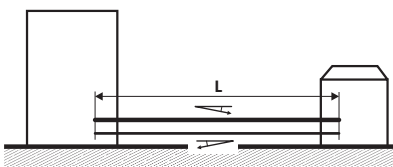
- Saugleitung :  
 Gasvorfüllung
- Flüssigkeitsleitung (über 2m):  
**2450** ➤ 110g/m      **3250** ➤ 183g/m

Für die Kältemittelverbinclungsleitungen zwischen 25 und 45m (ver hergestellt) muss die Bestimmung von Durchmesser, Füllung und Vorsichtmasnahm fachgerecht durchgeführt werden.

### BAUSEITIG GEFERTIGTE LEITUNGEN

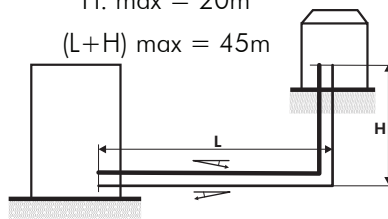
Verflüssiger auf gleicher höher wie schrank

L. max = 45m



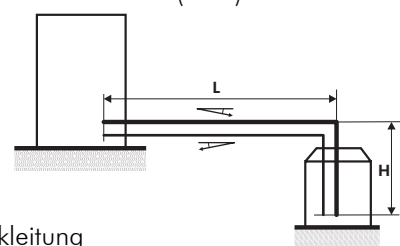
Verflüssiger höher als schrank

H. max = 20m  
 (L+H) max = 45m



Verflüssiger tiefer als schrank

H. max = 9m  
 (L+H) max = 45m



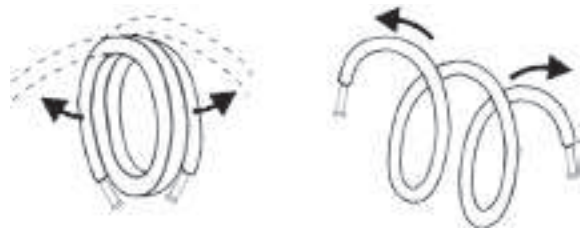
Mindestgefalle nach unten : 1 cm/m

— Druckleitung

— Flüssigkeitsleitung

Diese Arbeiten dürfen nur von qualifiziertem Fachpersonal unter Beachtung der kältetechnischen Regeln durchgeführt werden (Löten, Evakuieren, Füllen usw.).

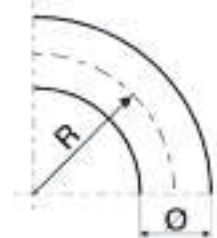
- Die Rohre umgekehrt zu den Windungen sorgfältig aufrollen, damit sie nicht geknickt werden.



### KÄLTEMITTEL-VERBINDUNGSLEITUNGEN

Der Biegeradius der Rohre muß mindestens das 3,5fache des Rohraußendurchmessers betragen.

Die Rohre nicht mehr als 3 mal nacheinander biegen, und nicht mehr als 12 Krümmungen über die Gesamtlänge der Rohrverbindung herstellen.



### ANZUGSDREHMOMENT KÄLTEMITTELKUPPLUNGEN

- FLÜSSIGKEITSLEITUNG:  
(kleine Kupplung) 15 Nm
- DRUCKLEITUNG:  
(grosse Kupplung) 55 Nm

1 Newtonmeter = 0,1 meterkilogram

### DIE VORSCHRIFTEN FÜR DEN ANSCHLUSS DER NICHT AUSZIEHBAREN PLATTENVENTILE BEFOLGEN.

- Die beiden Kupplungsteile ausrichten.
- Die Schutzstopfen von beiden Kupplungsteilen abschrauben.
- Überprüfen, ob das Kupplungsinnere beider Teile geschmiert ist, andernfalls dieselben leicht einölen (z.B. SUNISO 3 G).
- Die ersten Schraubdrehungen mit der Hand vornehmen, damit die Gewinde richtig eingreifen.
- Die weitere Verschraubung mit dem Schlüssel vornehmen, dabei den hinteren Teil der Kupplung mit einem Gegenschlüssel halten (Rohrseite).
- Nach Feststellung eines starken Widerstands noch 1/4 Drehung weiter schrauben, um eine dauerhafte Dichtigkeit zu erzielen.
- Diese letzte Verschraubung ist absolut notwendig, um den Metall-Dichtungsring in der Kupplung einzutassen.

### HINWEIS

- Bei der Verschraubung kann es geschehen, daß kurz vor dem «Anschlag» ein kleines Leck entsteht, welches allerdings schnell aufhören muß.
- Die Anschlüsse auf absolute Dichtigkeit überprüfen.



**AUS SICHERHEITSGRÜNDEN KUPPLUNGEN  
NIEMALS UNTER KÄLTEMITTELDRUCK AUFSCHRAUBEN.**

## HYDRAULIKANSCHLÜSSE

Kühlwasser-ein-und auslass (WASSERGEKÜHLTES Gerät) geschieht über Schläuche, die sich im unteren Teil des Gerätes befinden, an dessen Enden sich Überwurfmuttern befinden mit dem Innendurchmesser.

Die Durchführung ist auf der rechten oder linken Seiten vorgesehen.

Kondenswasserabfuhrung : Der Schlauch (26 x 32) im unteren Teil des Gerätes muss durch die Vorstanzung herausgeführt werden Markierung 3 Seite 8.

### SICHERHEITS DRAINAGE.

Der dichte Boden der Inneneinheit welcher das Auffangen des Kondenswasser oder übergelaufenes Wasser ermöglicht, ist mit einem seitlichen rechten oder linken Auslass über ein Rohr mit 22mm Aussendurchmesser vorgesehen,

Die Abfuhrleitung des Kondenswassers muss ein Minimalgefälle von 2,5 cm/min Fließrichtung haben,

Im Falle eines Anschlusses an die Kanalisation ist es erforderlich einen Siphon in die Abfuhrleitung einzubauen.

Die Wärmeisolierung (6mm mini) der Abfuhrleitung muss, falls erforderlich, vorgenommen (Einfrier- oder Kondensationsgefahr).

## ELEKTRISCHE ANSCHLÜSSE

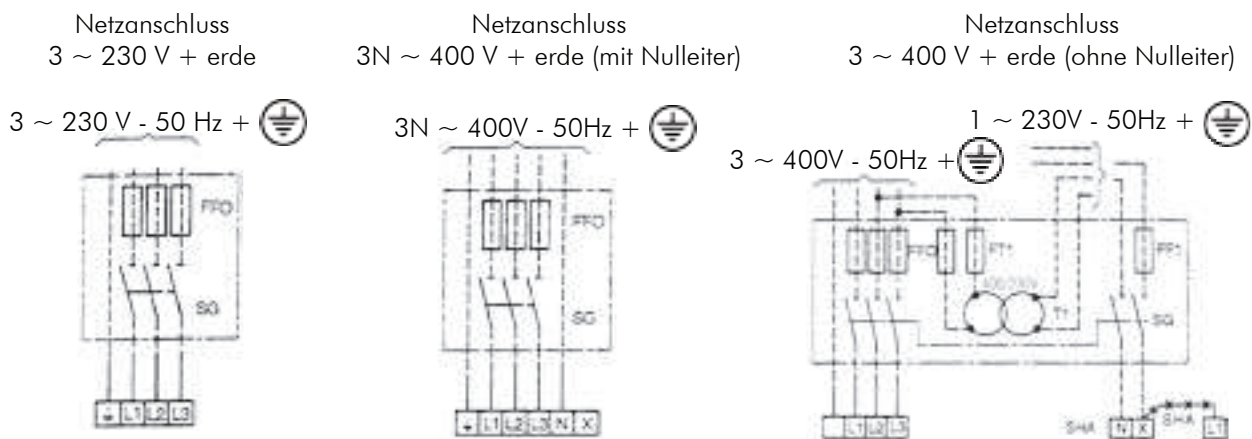
Der Schaltkasten befindet sich hinter der unteren vorderen Platte.

Allgemeine Versorgung an den links im Schaltkasten angeordneten Leistungsklemmen, hinter der Plastik-Schutzabdeckung.

### ACHTUNG

Im Falle einer Kurbelwellenheizung muss sie eingeschaltet werden in Abhängigkeit von der Umgebungstemperatur in der sich der Verdichter befindet : 2 Stunden vor Einschaltung des Gerätes bei einer Umgebungstemperatur von 10°C und 4 Stunden vorher bei einer Umgebungstemperatur von 0°C.

Ausseneinheit werden für 3N ~ 400V - 50Hz



SG : ERFORDERLICHER HAUPTSCHALTER

FF0 - FF1 - FT1 : SICHERUNG TRÄGE

T1 : TRANSFORMATOR 400/230 V

} Lieferung bauseits (gemäß örtlichen Vorschriften)

SHA: mitgelieferte fabrikmässig eingebaute Brücke

### WICHTIG

**Die Reihenfolge der Stromanschlüsse, einschließlich des Netzanschlusses (Phase, Mittelleiter, Erdleitung, usw.) gemäß der Kennzeichnung der Klemmenleiste berücksichtigen.**

### TRANSFORMATOR

Transformator (nicht mitgeliefert)

- Für 3 ~ 400V + Erde ohne Nulleiter

Nennleistung Wechselstromtransformator 400 V - 230 V
---

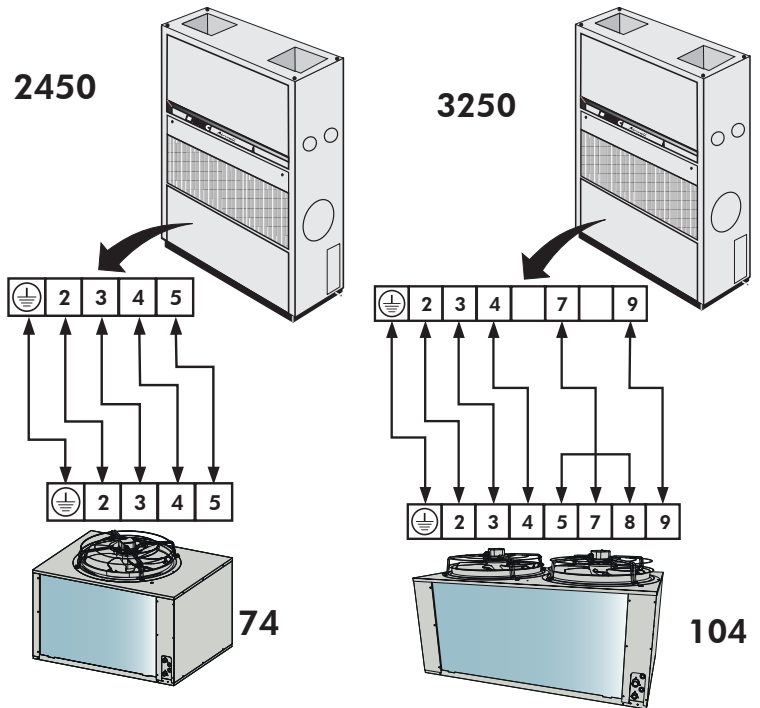
100 VA
--------



## ELEKTRISCHE VERBINDUNGEN

**HINWEIS :** Mögliche Schaltung der Motoren des 74 und 104 für Wechselstrom 400 V oder 230 V.

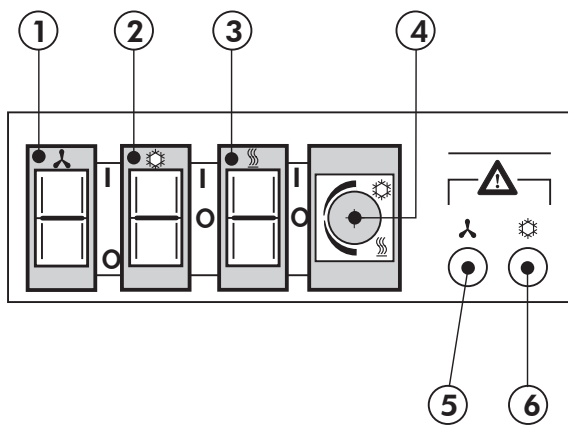
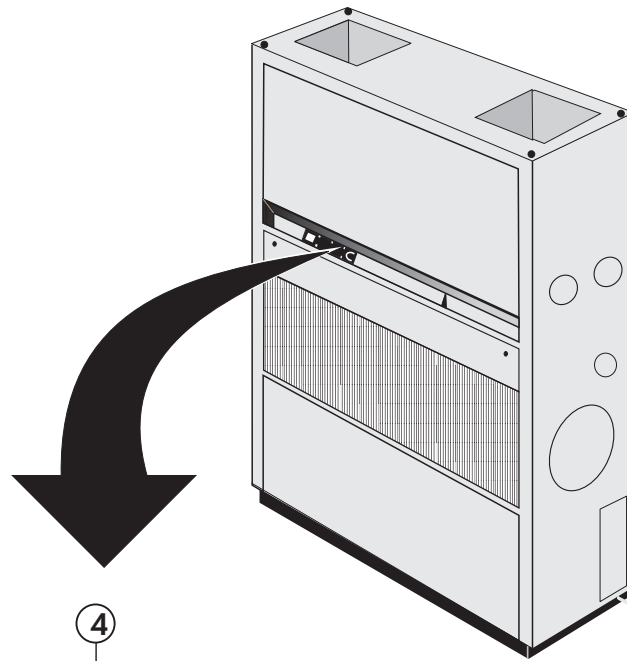
- Werksmäßige Schaltung Wechselstrom : 400 V. zwischen zwei Phasen
- Die Motoren müssen vor Ort auf die Betriebsspannung des Klimaschranks umgestellt werden, d.h. auf Wechselstrom 230 V mit einem Klimaschrank 230 V Drehspannung.



## VERBINDUNGEN MIT FERNBEDIENUNG

		2450	3250
<b>KÜHLUNG+LUFTUNG</b>			
Nominalstromstärke	A	1	1
Maximalstromstärke	A	2	2
Anlaufstromstärke	A	3	3
Anzahl x Querschnitt	mm <sup>2</sup>	1.5	1.5

## BEDIENUNGSPLATTE



1. Ein-/Aus-Schalter Lüftung  
0 Aus  
1 Ein / mit Anzeigelampe
2. Wählschalter Kühlung  
0 Aus  
1 Ein / Kühlung
3. Wählschalter Heizung  
0 Aus  
1 Ein / Heizung
4. Raumthermostat vom Typ:  
Umschalter (Grundlieferung)  
Mit neutraler Zone (Zubehör)
5. Störung Ventilator
6. Störung Kompressor (HD-Pressostat, Überstromaislöser).

INSTALLATION INSTRUCTION

NOTICE D'INSTALLATION

INSTALLATIONSHANDBUCH

**ISTRUZIONI INSTALLAZIONE**

INSTRUCCIONES DE INSTALACIÓN

English

Français

Deutsch

**Italiano**

Español

# INDICE

<b>RACCOMANDAZIONI GENERALI .....</b>	<b>3</b>
CONSIGLI DI SICUREZZA.....	3
AVVERTENZA .....	3
DATI DI SICUREZZA DEL MATERIALE .....	4
<b>CONTROLLO E STOCCAGGIO .....</b>	<b>5</b>
<b>GARANZIA .....</b>	<b>5</b>
<b>COMPOSIZIONE DEL COLLO .....</b>	<b>6</b>
<b>DIMENSIONI .....</b>	<b>6</b>
PESO NETTO .....	6
<b>DATI TECNICI .....</b>	<b>7</b>
ALIMENTAZIONE ELETTRICI .....	7
COLLEGAMENTO CON UNITÀ ESTERNA (UNITÀ CON RAFFREDDAMENTO AD ARIA) .....	7
<b>DESCRIZIONE .....</b>	<b>8</b>
<b>INSTALLAZIONE .....</b>	<b>9</b>
INSTALLAZIONE DELL'UNITÀ INTERNA .....	9
AREA DI SERVIZIO .....	9
POSIZIONAMENTO DELL'UNITÀ .....	9
SCARICO E ASPIRAZIONE D'ARIA .....	10
ACCESSO AI FILTRI .....	10
INSTALLAZIONE DELL'UNITÀ ESTERNA .....	11
SPAZI LIBERI DA PREVEDERE .....	11
UBICAZIONE .....	11
FISSAGGIO AL SUOLO .....	11
<b>COLLEGAMENTI FRIGORIFERI (UNITÀ CON RAFFREDDAMENTO AD ARIA).....</b>	<b>12</b>
COLLEGAMENTI FRIGORIFERI .....	12
CARICA FRIGORIFERA .....	12
TUBO DA REALIZZARE SUL CANTIERE .....	12
CURVATURA DEI TUBI FRIGORIFERI .....	13
COPPIA DI SERRAGGIO DELLE VALVOLE FRIGORIFERE .....	13
PROCEDURA DI COLLEGAMENTO DELLE VALVOLE A IMPULSO SINGLO .....	13
<b>COLLEGAMENTO IDRAULICO .....</b>	<b>14</b>
SCARICO DI SICUREZZA .....	14
<b>COLLEGAMENTI ELETTRICI .....</b>	<b>14</b>
TRASFORMATORE .....	14
COLLEGAMENTI ELETTRICI .....	15
COLLEGAMENTI CON COMANDO A DISTANZA .....	15
<b>PIASTRA DI OCMANDO.....</b>	<b>16</b>



**PRIMA DI ESEGUIRE  
QUALSIASI INTERVENTO  
SUL QUADRO ELETTRICO,  
METTERE L'UNITÀ FUORI  
TENSIONE.**

## **RACCOMANDAZIONI GENERALI**

Leggere attentamente le seguenti avvertenze di sicurezza prima di installare l'apparecchio.

### **CONSIGLI DI SICUREZZA**

Quando intervenite sul vostro materiale, seguite le regole di sicurezza in vigore.

L'installazione, l'utilizzo e la manutenzione devono essere eseguiti da personale qualificato che conosca bene la legislazione e la regolamentazioni locali e avente una certa esperienza per quanto riguarda questo tipo di attrezzature.

L'apparecchio deve essere manipolato per mezzo di sistemi progettati per resistere al suo peso.

Tutti i cablaggi utilizzatore devono essere eseguiti conformemente alla relativa regolamentazione nazionale.

Assicuratevi che l'alimentazione elettrica disponibile e la frequenza della rete siano adatte alla corrente di funzionamento necessaria tenuto conto delle condizioni specifiche dell'ubicazione, e della corrente necessaria a qualsiasi altro apparecchio collegato allo stesso circuito.

L'apparecchio deve essere COLLEGATO ALLA TERRA per evitare gli eventuali pericoli risultanti dai difetti di isolamento.

Tutti gli interventi sugli elementi elettrici dell'apparecchio sono vietato in presenza di acqua e di umidità.

### **AVVERTENZA**

Togliere l'alimentazione elettrica generale prima di eseguire qualsiasi intervento o operazione di manutenzione.

Al momento del collegamento idraulico, far attenzione a evitare ogni introduzione di corpi estranei nella tubazione.

**Il fabbricante declina qualsiasi responsabilità e la garanzia non sarà più valida qualora le presenti istruzioni non venissero rispettate.**

In caso di difficoltà, non esitate a contattare al Servizio Tecnico della vostra zona di appartenenza.

Prima di posizionare l'apparecchio, procedere se possibile al montaggio degli accessori obbligatori o meno. (Vedi istruzioni fornite con ogni accessorio).

Per una migliore conoscenza del prodotto, vi consigliamo di consultare anche le nostre istruzioni tecniche.

Le informazioni contenute nelle presenti istruzioni per l'uso sono soggette a modifiche senza preavviso.

## DATI DI SICUREZZA DEL MATERIALE

Dati sulla sicurezza	R407C
Grado di tossicità	Basso.
In caso di contatto con la pelle	Schizzi o proiezione di fluido refrigerante possono provocare ustioni ma non sono pericolosi in caso di ingestione. Sgelaire le zone interessate con acqua. Togliere i vestiti contaminati con cautela perché possono incollarsi alla pelle in caso di ustioni dovute al gelo. Pulire le zone interessate con acqua calda in grande quantità. In caso di comparsa di sintomi (irritazione o formazione di bolle), consultare un medico.
In caso di contatto con gli occhi	Il vapore non ha alcun effetto. Schizzi o proiezione di liquido possono provocare ustioni. Pulire immediatamente con collirio o acqua pulita per almeno 10 minuti. Consultare urgentemente un medico.
Ingestione	Quasi impossibile. Se ciò dovesse verificarsi, possono risultrarne ustioni. Non provocare il vomito. Quando il paziente è cosciente, lavargli la bocca con acqua e fargli bere circa 250 ml d'acqua. Consultare urgentemente un medico.
Inalazione	R407C: Concentrazioni atmosferiche importanti possono avere un effetto anestetico e provocare una perdita di conoscenza. Esposizioni molto importanti possono provocare un ritmo cardiaco anomalo e morte improvvisa.
	Con una concentrazione più elevata, esiste un pericolo di asfissia a causa di una riduzione dell'ossigeno nell'atmosfera. Spostare il paziente all'aria aperta, coprirlo e calmarlo. Fargli inalare ossigeno, se necessario. Eseguire la respirazione artificiale se il paziente non respira o si trova in debito d'aria. In caso di arresto cardiaco, eseguire un massaggio cardiaco esterno. Consultare immediatamente un medico.
Altri consigli medici	Si consiglia di eseguire un trattamento sintomatico di sostegno. Una sensibilità cardiaca può, in presenza di catecolamine in circolazione, come l'adrenalina, provocare un aumento delle aritmie e ulteriormente un arresto cardiaco in caso di esposizione a forti concentrazioni.
Esposizione di lunga durata	R407C: uno studio riguardante un'inalazione a vita eseguita su ratti ha dimostrato che l'esposizione a 50.000 ppm provoca tumori benigni sui testicoli. Ciò non è considerato significativo per gli esseri umani esposti a concentrazioni uguali o inferiori al limite di esposizione professionale.
Limiti di esposizione professionale	R407C: Limite raccomandato: 1000 ppm v/v - 8 ore TWA.
Stabilità	R407C: non precisata.
Condizioni da evitare	Utilizzo in presenza di fuoco aperto, di superficie portata in incandescenza e di livelli di umidità elevati.
Reazioni pericolose	Può avere una reazione violenta a contatto con il sodio, potassio, bario e altri metalli alcalino-terrosi. Materiali incompatibili: magnesio e leghe contenenti oltre il 2% di magnesio.
Prodotti di decomposizione pericolosi	R407C: idracido alogenato formato dalla dissociazione termica e l'idrolisi.
Precauzioni generali	Evitare di inalare importanti concentrazioni di vapori. Le concentrazioni atmosferiche dovranno essere minimizzate e conservate possibilmente al di sotto del limite di esposizione professionale. Il vapore è più pesante dell'aria e si concentra ad un livello basso in spazi ridotti. Ventilare mediante estrazione ai livelli più bassi.
Protezione respiratoria	In caso di dubbio sulla concentrazione atmosferica, dovranno essere usati apparecchi di respirazione autorizzati dai servizi sanitari. Questi apparecchi conterranno ossigeno o permetteranno una migliore respirazione.
Stoccaggio	Le vasche dovranno essere poste in un luogo asciutto e freddo al riparo da ogni rischio di incendio, dei raggi diretti del sole e lontano da ogni fonte di calore come radiatori. Le temperature non dovranno superare i 45°C.
Indumenti di protezione	Indossare tute, guanti impermeabili e occhiali di protezione o una maschera.
Procedura in caso di fuoriuscita o di perdita	Assicurarsi che ognuno indossi indumenti di protezione adeguati nonché apparecchi respiratori. Se possibile, isolare la fonte della fuga. Favorire l'evaporazione delle piccole fuoriuscite a condizione che vi sia una ventilazione appropriata. Fuoriuscite importanti: ventilare la zona. Tenere sotto controllo le fuoriuscite con sabbia, terra o qualsiasi altra materia assorbente appropriata. Impedire al liquido di penetrare nelle canalizzazioni di scarico, le fognature, i sottosuoli e le fosse di ispezione in quanto il vapore può creare un'atmosfera soffocante.
Smaltimento dei rifiuti	Preferibilmente, da recuperare e riciclare. In caso di impossibilità, assicurare la loro distruzione in una zona autorizzata in grado di assorbire e di neutralizzare gli acidi e gli altri prodotti di fabbricazione tossici.
Dati antincendio	R407C : Non infiammabile in situazione atmosferica.
Vasche	Le vasche esposte al fuoco dovranno essere mantenute fredde per mezzo di getti d'acqua. Le vasche possono scoppiare in caso di surriscaldamento.
Attrezzatura di protezione antincendio	In caso di incendio, indossare inalatori autonomi e vestiti di protezione.

## CONTROLLO E STOCCAGGIO

Al ricevimento dell'attrezzatura, verificare accuratamente tutti gli elementi facendo riferimento alla bolla di trasporto onde assicurarsi che tutte le casse e tutti i cartoni siano stati ricevuti. Controllare tutti gli apparecchi per ricercare i danni visibili o nascosti.

**In caso di danneggiamento, avanzare riserve precise sul documento di trasporto e inviare immediatamente una lettera raccomandata al corriere indicando chiaramente i danneggiamenti subiti dall'apparecchio. Trasmettere una copia di questa lettera al costruttore o al rappresentante dello stesso.**

Non appoggiare o trasportare l'apparecchio al rovescio. Deve essere immagazzinato, interamente al riparo dalla pioggia, dalla neve, ecc. Le variazioni meteorologiche (temperature elevate e basse) non devono danneggiare l'apparecchio. Temperature troppo elevate (a partire dai 60°C) possono deteriorare alcune materie plastiche e provocare danni permanenti. Inoltre, alcuni componenti elettrici o elettronici possono non funzionare correttamente.

## GARANZIA

I gruppi sono forniti interamente assemblati e dopo i collaudi sono pronti per l'utilizzo

Qualsiasi modifica alle unità, senza previo assenso scritto del costruttore, comporterà l'annullamento della garanzia.

Per mantenere la validità della garanzia, devono essere tassativamente soddisfatte le seguenti condizioni:

- L'installazione dovrà essere eseguita da tecnici dei servizi autorizzati dal costruttore.
- La manutenzione dovrà essere eseguita da tecnici appositamente formati.
- Dovranno essere usati soltanto pezzi di ricambio originali.
- Tutte le operazioni riportate nel presente manuale dovranno essere eseguite entro i termini concordati.



**SE UNA DELLE CONDIZIONI DI SOPRA MENZIONATE NON FOSSE SODDISFATTA, LA GARANZIA SAREBBE AUTOMATICAMENTE ANNULLATA.**

## COMPOSIZIONE DEL COLLO

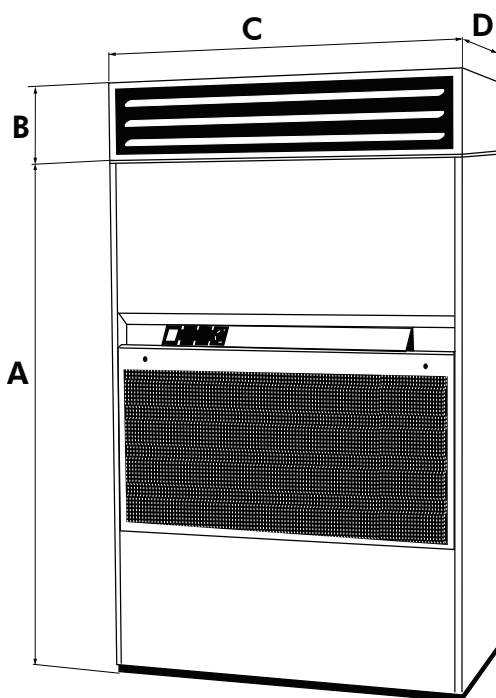
### X 2450 / X 3250

- 1 unità interna
- 1 schema elettrico
- 1 didascalia
- 1 lotto di passafili

### UC 74 / UC 104

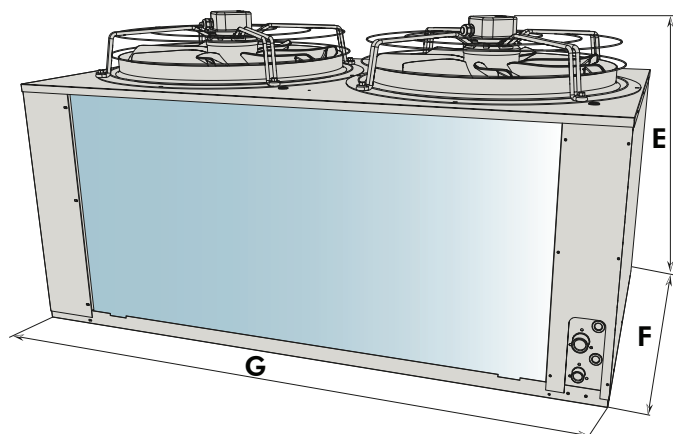
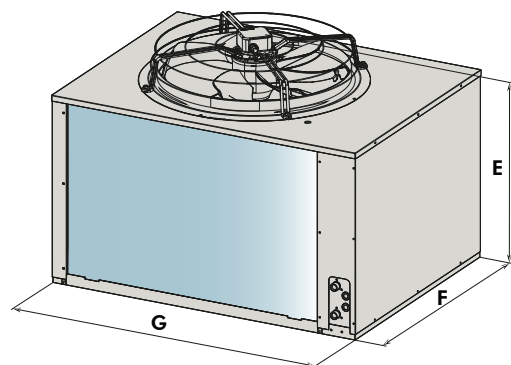
- 1 unità esterna

## DIMENSIONI



		A	B	C	D
2450	mm	1840	350	1300	600
3250	mm	1840	350	1530	600

		E	F	G
74	mm	840	885	1141
104	mm	840	885	1546



## PESO NETTO

		X ARV	X AO
2450	kg	265	305
3650	kg	350	380

		UC
74	kg	93
104	kg	130



## DATI TECNICI

### ALIMENTAZIONE ELETTRICI

		2450				3250			
Tipo di alimentazione		3 ~230 V* - 50 Hz		3N ~400 V - 50 Hz		3 ~230 V* - 50 Hz		3N ~400 V - 50 Hz	
Modelli		X ARV	X AO	X ARV	X AO	X ARV	X AO	X ARV	X AO
• Freddo + Ventilazione (VS/FV)									
Potenza assorbita nominale	kW	8.2/8.9	7.1/7.8	8.2/8.9	7.1/7.8	12.3/13.1	9.8/10.6	12.3/13.1	9.8/10.6
Intensità max.	A	37/40	32/35	23/26	19/21	55/57	46/48	34/36	26/28
Intensità avviamento	A	145/154	124/133	83/86	71/74	200/220	176/196	117/128	96/107
Calibro fusibile aM	A	40	32/40	25	20/25	63	50	40	32
Sezione di cavo	mm <sup>2</sup>	10	6/10	4	2.5/4	16	10	6/10	6
• Riscaldamento elettrico + Ventilazione (VS/FV)									
Potenza assorbita nominale	kW	18.7/19.2	18.7/19.3	18.7/19.3	18.7/19.3	23.4/24.3	23.4/24.3	23.4/24.3	23.4/24.3
Intensità max.	A	59/62	50/62	33/35	33/35	74/76	74/76	43/45	43/45
Intensità avviamento	A	145/154	124/133	83/86	71/74	200/220	176/196	117/128	96/107
Calibro fusibile aM	A	63	63	40	40	80	80	50	50
Sezione di cavo	mm <sup>2</sup>	16	16	10	10	25	25	10	10
• Freddo + Ventilazione (VS/FV) + Riscaldamento elettrico									
Potenza assorbita nominale	kW	26.2/26.9	25.1/25.8	26.2/26.9	25.1/25.8	34.8/35.6	32.3/33.1	34.8/35.6	32.3/33.1
Intensità max.	A	91/94	86/89	54/56	49/51	122/124	113/115	73/75	65/67
Intensità avviamento	A	199/208	178/187	113/116	101/104	272/292	243/263	161/172	135/146
Calibro fusibile aM	A	100	100	63	50/63	125	125	80	80
Sezione di cavo	mm <sup>2</sup>	35	35	16	10/16	50	50	25	25

\* Interruptor general no incluido, a cargo del instalador.

**VS:** Ventilación Estandar

**VF:** Ventilación Fuerte

**NOTA :** 1 soltanto gruppo freddo e 2x9 kW del heating sono considerati per il funzionamento nella deumidificazione.

### COLLEGAMENTO CON UNITÀ ESTERNA (UNITÀ CON RAFFREDDAMENTO AD ARIA)

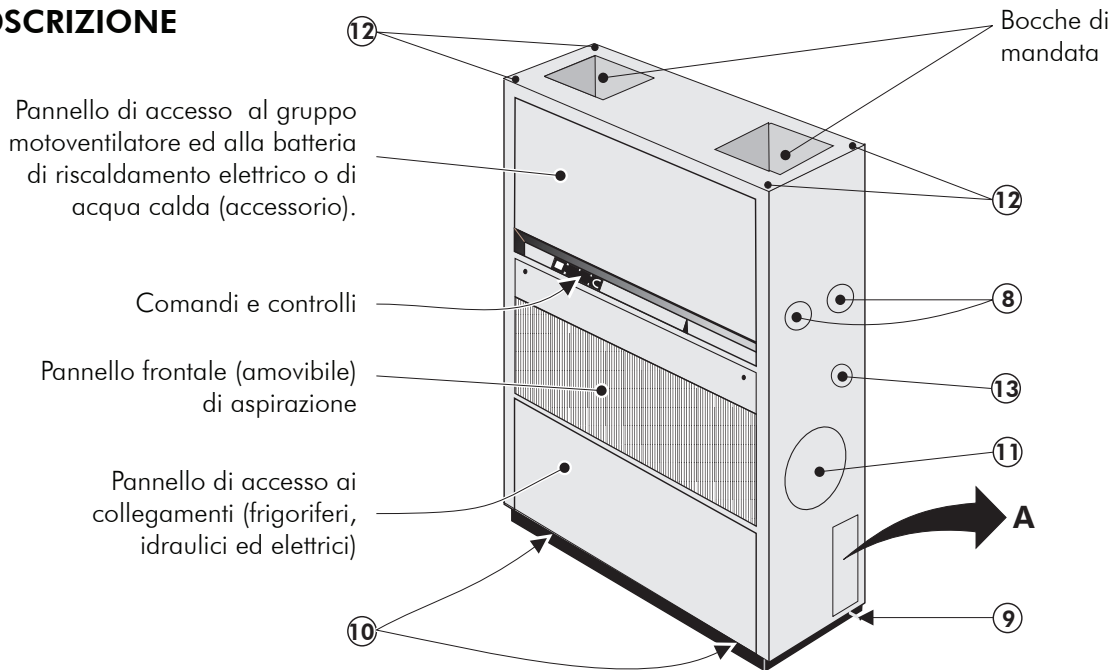
		2450	3250
Alimentazione		3 ~230 V* - 50 Hz	3 ~230 V* - 50 Hz
Modelli accoppiamento		UC 74	UC 104
Alimentazione		~230 V - 50 Hz	~230 V - 50 Hz
Potenza assorbita nominale	W	611	1222
Intensità massima	A	3.1	6.2
Intensità totale di avviamento	A	5.5	11
Sezione cavo alimentazione	mm <sup>2</sup>	1.5	1.5

\* **TRIFASE 230V:** installazione regolamentata in Francia

### IMPORTANTE

Questi valori vengono dati a titolo indicativo. Essi devono essere verificati e regolati in funzione delle norme in vigore. Inoltre, essi dipendono dal modo di installazione e della scelta dei conduttori.

## DSCRIZIONE



1. Collegamenti frigoriferi verso UC (unità raffreddate ad aria)  
Alimentazione acqua di raffreddamento (unità raffreddate ad acqua).

- Uscita acqua persa = 2450 dado 1" ( Ø 26- 34 ).
- Uscita acqua riciclata = 2450 1" 1/4 ( Ø 33 - 42 ).
- Alimentazione acqua 3250 dado 1" ( Ø 26 - 34 ).
- Alimentazione acqua 3250 dado 1" 1/2 ( Ø 40 - 49 ).

2. Collegamenti frigoriferi verso UC (unità raffreddate ad aria)  
Alimentazione acqua di raffreddamento (unità raffreddate ad acqua).

- Alimentazione acqua persa = 2450 dado 1" ( Ø 26- 34 ).
- Alimentazione acqua riciclata = 2450 1" 1/4 ( Ø 33 - 42 ).
- Uscita acqua 3250 dado 1" ( Ø 26 - 34 ).
- Uscita 3250 dado 1" 1/2 ( Ø 40 - 49 )

3. Drenaggio della condensa – Flessibile diam. 26x32

4. Collegamenti elettrici – Segnalazione delle anomalie

5. Collegamenti elettrici – Comando remoto

6. Alimentazione elettrica generale

7. Collegamenti elettrici verso il condensatore UC (unità raffreddate ad aria)

8. Ingresso ed uscita acqua batteria calda incorporata (filettati maschio diam 33x42)

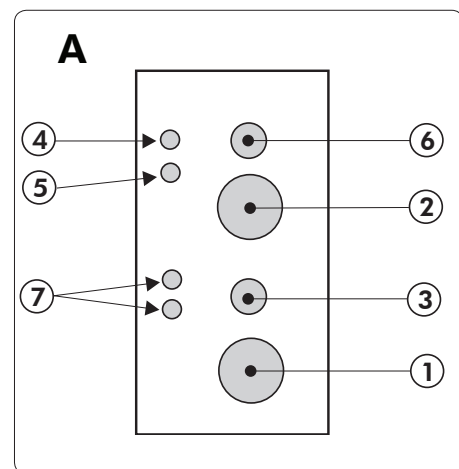
9. Drenaggio di fondo per emergenza (chiuso da un tappo)

10. Fori di fissaggio dell'imballaggio (2 sul lato frontale+ 2 sul lato posteriore) Impegnati dalle viti di fissaggio dell'unità sul pallett

11. Foro diam. 200 per l'eventuale raccordo di un canale di immissione aria esterna (realizzato dall'installatore)

12. Fori filettati M8 per l'inserimento dei golfari di sollevamento.

13. Diametro 29 di apertura per la canna con il vapore (tranne rifornimento) da andare obbligatorio in su a destra dell'apparecchio.



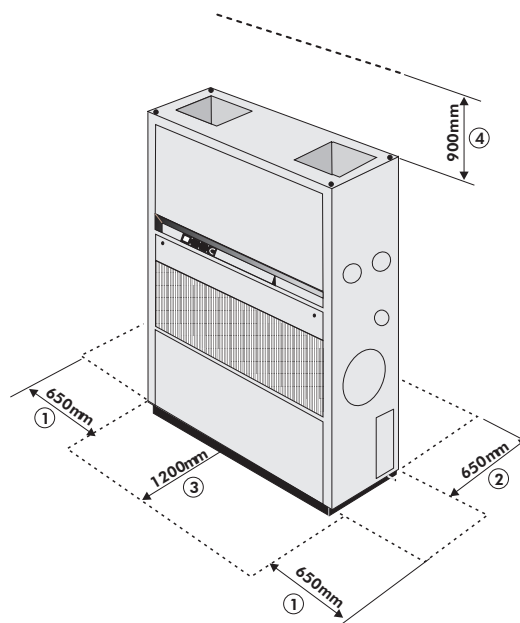
## INSTALLAZIONE



L'unità non è stata progettata per sopportare pesi o tensioni di attrezzature, tubazioni e costruzioni adiacenti. Qualsiasi peso o tensione estranea potrebbe provocare una disfunzione o una caduta che potrebbero essere pericolose e causare danni alle persone. In tal caso, la garanzia sarebbe annullata.

### INSTALLAZIONE DELL'UNITÀ INTERNA AEREA DI SERVIZIO

1. dal lato scelto per i collegamenti
2. caso aspirazione totale posteriore
3. caso scarico con accessorio plenum
4. caso scarico diretto verticale



**RISPETTARE GLI SPAZI LIBERI MINIMI INDICATI ATTORNO ALL'ARMADIO.**

### POSIZIONAMENTO DELL'UNITÀ



Il supporto dell'unità dovrà essere previsto come indicato nel presente manuale. In caso di supporto inappropriato, il personale incorre in gravi rischi di danni corporali.

L'unità deve essere installata su fondamenta orizzontali, sufficientemente robuste per supportare il peso della stessa in funzione.

1. Deve essere sufficientemente alta per assicurare un corretto scarico dell'acqua di sbrinamento e permettere agli eventuali blocchi di ghiaccio di cadere dalla batteria fredda durante il ciclo di sbrinamento.
2. L'unità deve essere leggermente inclinata verso l'uscita della condensa al fine di permettere uno scarico diretto dei condensati.
3. Limitare i raccordi di condotta al minimo per ridurre le perdite nelle condotte.
4. Al momento del posizionamento dell'unità, installarla il più lontano possibile per ridurre il rumore.
5. Tutti i collegamenti elettrici ed i raccordi delle condotte dell'unità dovranno essere di tipo flessibile al fine di evitare la trasmissione di vibrazioni.
6. Oltre gli spazi liberi riportati sul foglio delle dimensioni, è fondamentale prevedere un accesso sicuro ed appropriato per gli interventi di riparazione e di manutenzione.

Prima di posizionare l'armadio, procedere al montaggio degli accessori quando questi ultimi sono previsti (riscaldamento, aspirazione posteriore o laterale, plenum, ecc...). Far riferimento ai documenti specifici forniti con ogni accessorio o kit.

Togliere il pannello frontale superiore nonché il pannello di aspirazione dell'aria come da istruzioni.

➤ **RIMOZIONE DEL PANNELLO ANTERIORE SUPERIORE (A)**

(Accesso al motoventilatore e alla batteria di riscaldamento elettrico o acqua calda (accessorio))

Svitare le 2 viti, tirare in avanti e verso all'inferiore.

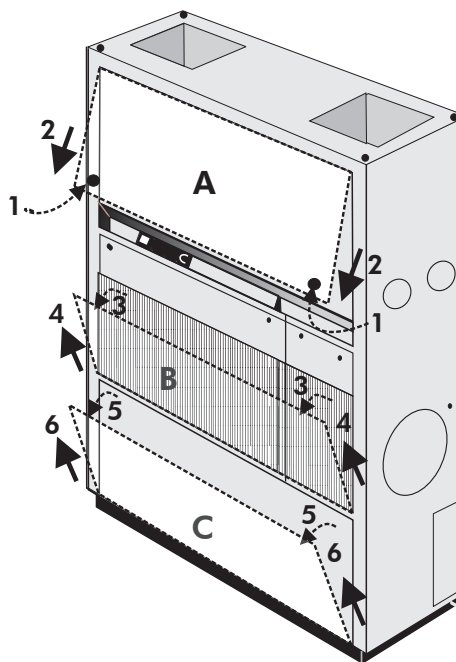
➤ **RIMOZIONE DEL PANNELLO ANTERIORE DI ASPIRAZIONE (B)**

Ruotare i 2 dadi di un quarto di giro e tirare in avanti quindi, sollevare in alto.

➤ **RIMOZIONE DEL PANNELLO ANTERIORE INFERIORE (C)**

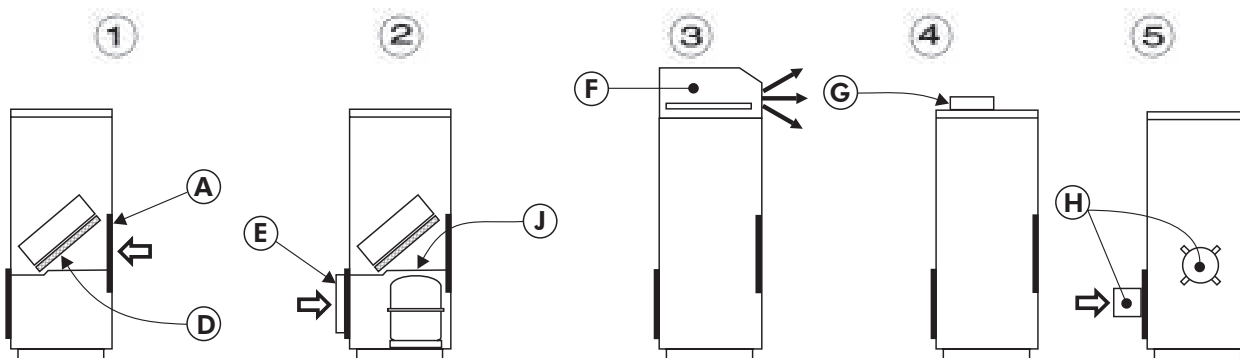
(Accesso ai collegamenti frigoriferi idraulici ed elettrici)

Svitare le 2 viti, tirare in avanti, sollevare verso l'alto



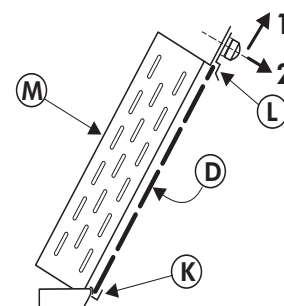
**SCARICO E ASPIRAZIONE D'ARIA**

1. Aspirazione diretta dal pannello anteriore estraibile **A** ed il filtro **D** (montaggio d'origine).
2. Aspirazione totale posteriore mediante guaina: Elementi di raccordo di guaina **E** da montare nella parte posteriore dell'apparecchio (RIMUOVERE la lamiera di otturazione **J**)
3. Scarico diretto mediante plenum di diffusione **F** con griglie orientabili (accessorio) fissato sulla parte superiore dell'apparecchio.
4. Scarico mediante guaina: Elementi di raccordo di guaina di scarico **G** (accessorio) da montare sulla parte posteriore o sulla parte superiore dell'apparecchio.
5. Possibilità di aspirazione parziale d'aria nuova lateralmente o sulla parte posteriore mediante l'accessorio ugello di aspirazione **H**.



**ACCESSO AI FILTRI**

1. Smontare il pannello di aspirazione
2. I filtri **D** sono tenuti in posizione da :
  - dei supporti fissi **K** posti alla base dell'evaporatore **M**
  - dei supporti amovibili **L** posti alla sommità dell'evaporatore
3. Per smontare i filtri :
  - **1** Sollevarli
  - **2** Tirarli.

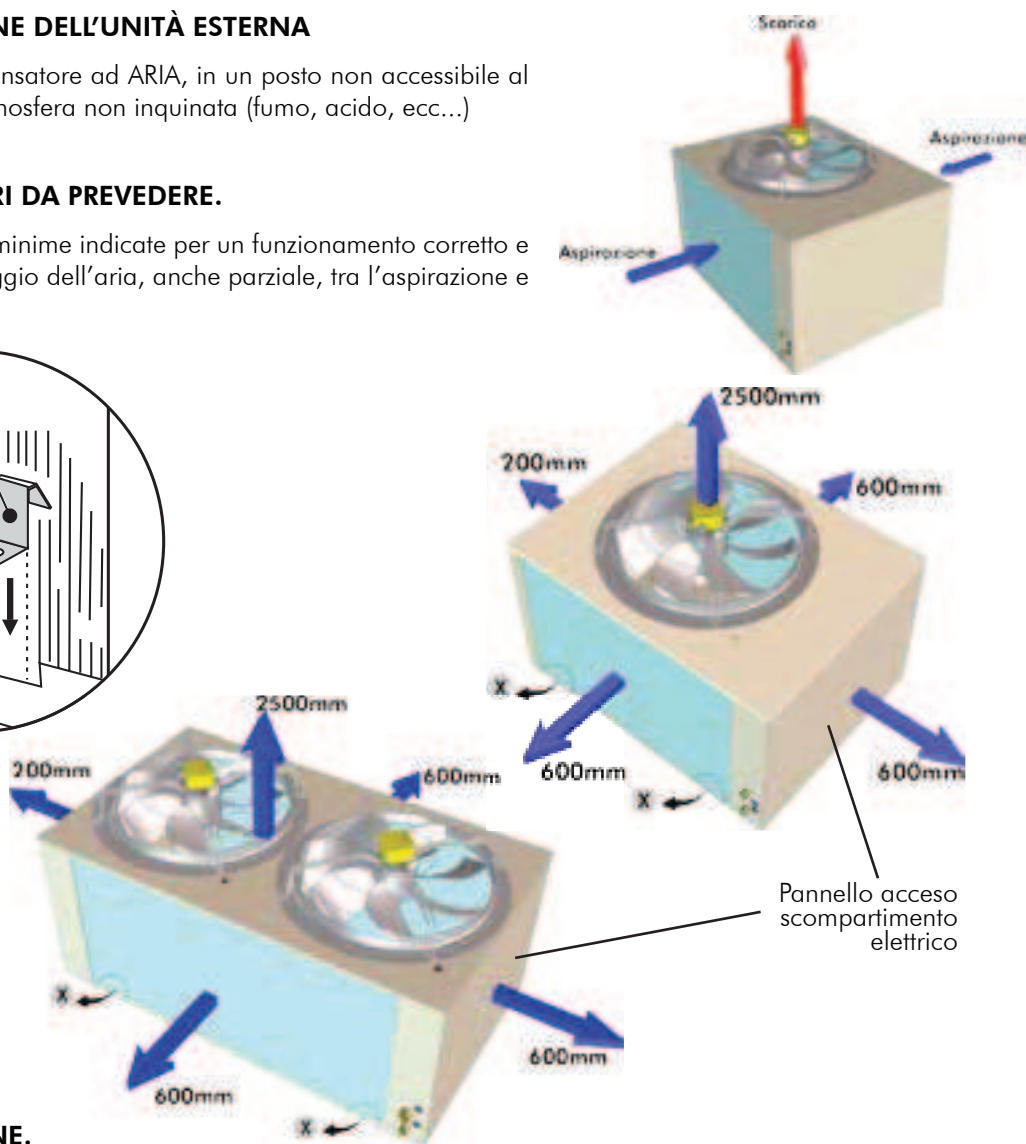
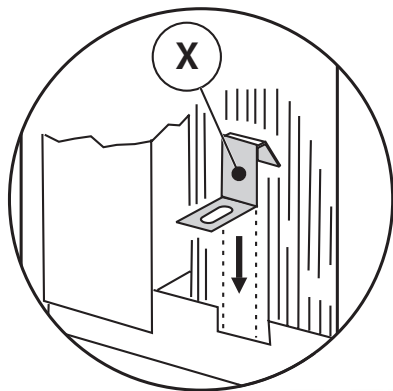


## INSTALLAZIONE DELL'UNITÀ ESTERNA

Posizionare il condensatore ad ARIA, in un posto non accessibile al pubblico e in un'atmosfera non inquinata (fumo, acido, ecc...)

### SPAZI LIBERI DA PREVEDERE.

Rispettare le quote minime indicate per un funzionamento corretto e per evitare il riciclaggio dell'aria, anche parziale, tra l'aspirazione e lo scarico dell'aria.

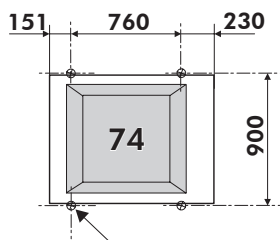


### UBICAZIONE.

Installare il condensatore su un sostegno muratura (soletta in calcestruzzo) sul quale esso verrà fissato.

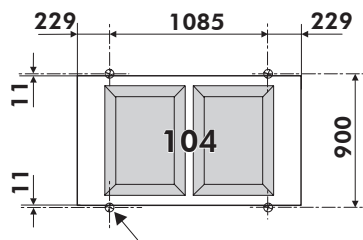
### FISSAGGIO AL SUOLO

I condensatori devono venire fissati al pavimento per mezzo delle staffe **X** che li corredano

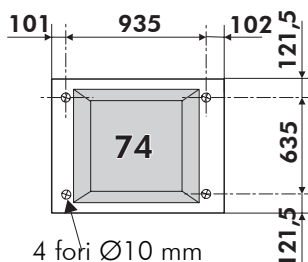


4 fori oblunghi da 9x16 mm

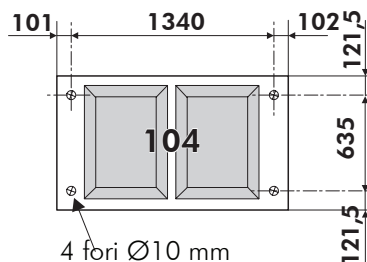
o tramite i fori che si trovano sul fondo dell'apparecchio e che sono accessibili dopo avere smontato i pannelli laterali.



4 fori oblunghi da 9x16 mm



4 fori Ø10 mm

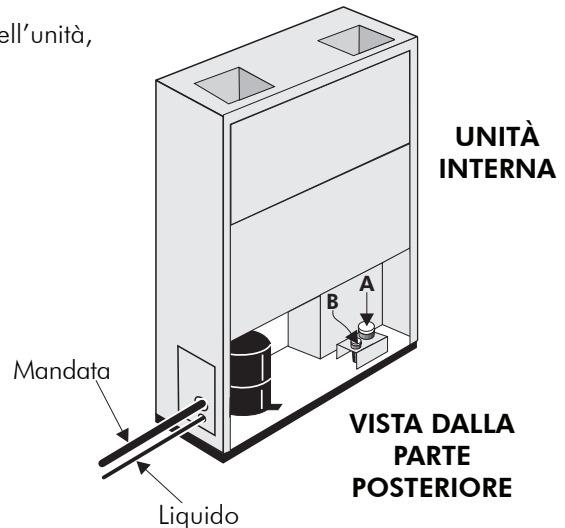
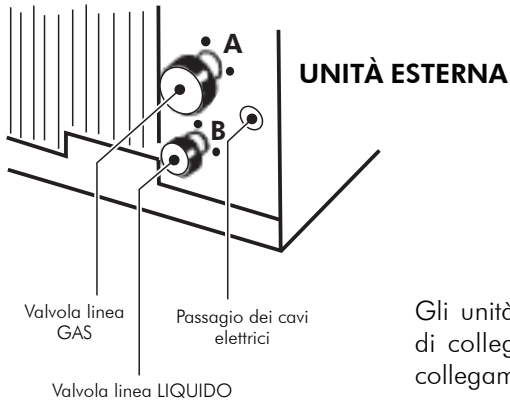


4 fori Ø10 mm

## COLLEGAMENTI FRIGORIFERI (UNITÀ CON RAFFREDDAMENTO AD ARIA)

Gli attacchi si trovano dietro il pannello frontale inferiore dell'unità, verso il lato posteriore.

- Valvola A: linea GAS  
2450 ➔ Ø 5/8"      3250 ➔ Ø 3/4
- Valvola B: linea LIQUIDO  
2450 ➔ Ø 1/2"      3250 ➔ Ø 5/8"



Gli unità esterna sono stati caricati in fabbrica e sono dotati di valvole di collegamenti frigoriferi. Rispettare le raccomandazioni riguardanti i collegamenti delle valvole a membrane non rimovibili.

### COLLEGAMENTI FRIGORIFERI

- Forniti precaricati in officina:  
**LUNGHEZZA MAX. 25 CM**
- Realizzati sul cantiere dall'installatore:  
**LUNGHEZZA MAX. 45 M.**

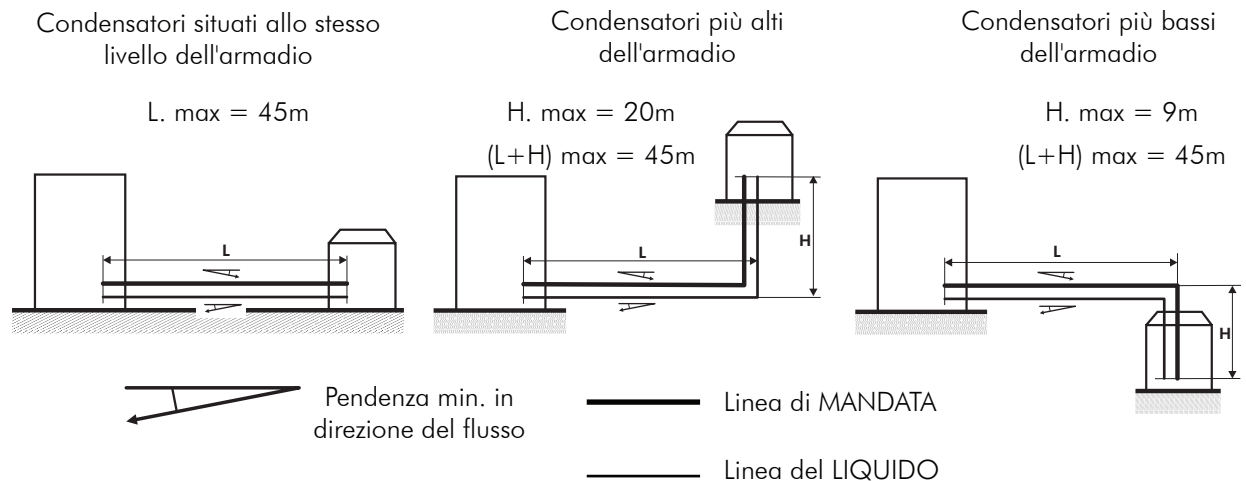
### CARICA FRIGORIFERA

collegamenti fino a 45 m:

- Linea GAS:  
precarico gassoso
- Linea LIQUIDO (al di sopra di 2 m):  
2450 ➔ 110g/m      3250 ➔ 183g/m

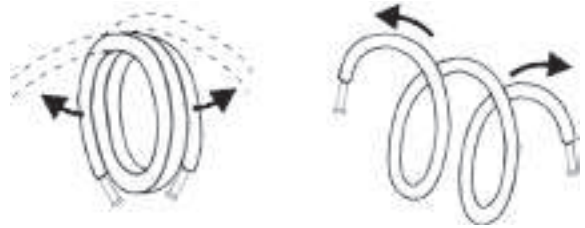
Per i collegamenti frigoriferi aventi una lunghezza compresa tra 25 e 45 metri (da realizzare sul cantiere), la determinazione dei diametri del carico e le precauzioni d'installazione devono essere eseguite secondo le regole dell'arte.

### TUBO DA REALIZZARE SUL CANTIERE



Questa operazione deve essere eseguita da personale qualificato e secondo le regole dell'arte del frigorista (brasatura, isolamento, tiraggio a vuoto, carico, ecc...).

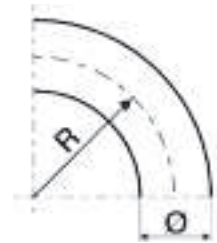
- Srotolare accuratamente i tubi in senso contrario delle spire onde non piegare questi ultimi.



### CURVATURA DEI TUBI FRIGORIFERI

Il raggio di incurvatura dei tubi deve essere uguale o superiore a 3,5 volte il diametro esterno del tubo.

Non curvare i tubi più di 3 volte consecutive e non eseguire più di 12 curvature sulla lunghezza totale del collegamento.



### COPPIA DI SERRAGGIO DELLE VALVOLE FRIGORIFERE

- LIQUIDO:  
(valvola piccola) 15 Nm
- ASPIRAZIONE:  
(valvola grande) 55 Nm

1 Newton-metro = 0,1 metro-kil

### PROCEDURA DI COLLEGAMENTO DELLE VALVOLE A IMPULSO SINGLO

- Allineare i 2 mezzi dispositivi di accoppiamento.
- Rimuovere i tappi di protezione da ogni dispositivo di accoppiamento.
- Verificare che l'interno delle valvole sia lubrificato, altrimenti lubrificarle leggermente con l'olio fornito per la refrigerazione.
- Ruotare manualmente in senso orario di alcuni giri per fare in modo che la filettatura venga introdotta correttamente.
- Continuare ad avvitare in senso orario con una chiave mantenendo in posizione la parte posteriore (lato tubo) con un'altra chiave posizionata in senso antiorario, fino ad ottenere un'avvitatura ferma. Quindi terminare il bloccaggio con un ulteriore 1/4 di giro della chiave.
- Questa ultima operazione permetterà di fissare la guarnizione metallica interna.

### NOTA

- Prima dell'avviatura finale della testa, può verificarsi una piccola perdita di freon. Questa perdita dovrebbe immediatamente arrestarsi.
- Eseguire test per rilevare le eventuali perdite.



**PER MOTIVI DI SICUREZZA, NON SCOLLEGARE MAI QUESTI DISPOSITIVI DI ACCOPIAMENTO MENTRE IL CIRCUITO SI TROVA SOTTO PRESSIONE REFRIGERANTE.**

## COLLEGAMENTO IDRAULICO

L'alimentazione e l'uscita dell'acqua di raffreddamento (unità raffreddate ad acqua) avvengono sui tubi flessibili collocati nella parte inferiore dell'apparecchio, alla cui estremità vi sono dei dadi liberi.

Passaggio previsto a destra o a sinistra lateralmente (vedi DESCRIZIONE pagina 8).

Scarico delle condense: il tubo flessibile (26 x 32) il cui attacco è situato nella parte bassa dell'apparecchio deve uscire dalla parte preschiacciata posizione 3.

### SCARICO DI SICUREZZA.

Il fondo stagno dell'unità interna che permette di recuperare le condense o i trabocchi anormali è dotato di un'uscita laterale destra o sinistra: tubo liscio Ø 22 mm esterno.

Il condotto di scarico dell'acqua condensata deve avere una pendenza minima di 2,5 cm/m rivolta verso il senso del deflusso.

In caso di un raccordo alle fognature, è necessario montare un sifone sulla canalizzazione di scarico.

L'isolamento termico di scarico dovrà essere eseguito, se necessario (rischio di gelo o di condensa).

## COLLEGAMENTI ELETTRICI

Il quadro elettrico si trova dietro il pannello frontale inferiore.

La rete di alimentazione deve essere collegata all'apposita morsettiera che si trova dietro un coperchio di protezione in plastica.

### ATTENZIONE

Nel caso di una resistenza di carter, questa ultima deve essere messa in opera in funzione della temperatura ambiente nella quale si trova il compressore: 2 ore prima della commutazione dell'apparecchio in un'atmosfera di 10°C e 4 ore prima in un'atmosfera di 0°C.

Gli unità esterna vengono forniti per una tensione di impiego accoppiata in 400V-50Hz



Alimentazione  
3 ~ 230V + T (con neutro)

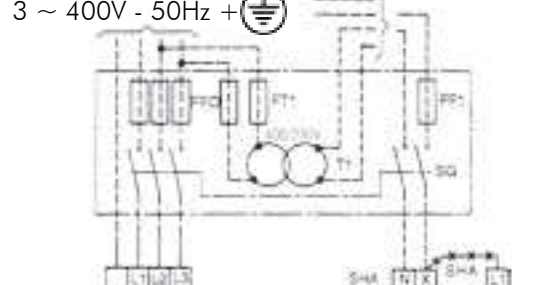
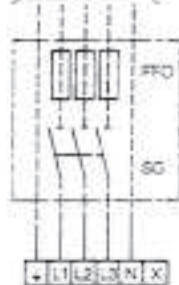
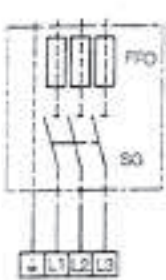
Alimentazione  
3N ~ 400V + T (con neutro)

Alimentazione  
3 ~ 400V + T (senza neutro)

3 ~ 230 V - 50 Hz + 

3N ~ 400V - 50Hz + 

1 ~ 230V - 50Hz +   
3 ~ 400V - 50Hz + 



Lo shunt SHA (1) deve essere tolto

SG : COMBINAZIONE GENERALE OBBLIGATORIA

FF0 – FF1 – FT1 : FUSIBILE TIPO aM

T1 : TRASFORMATORE 400/230 V

Da fornire dall'installatore  
(rispettare le regolamentazioni locali)

### TRASFORMATORE

Trasformatore (non fornito)

Per alimentazione 3~ 400V + T senza neutro

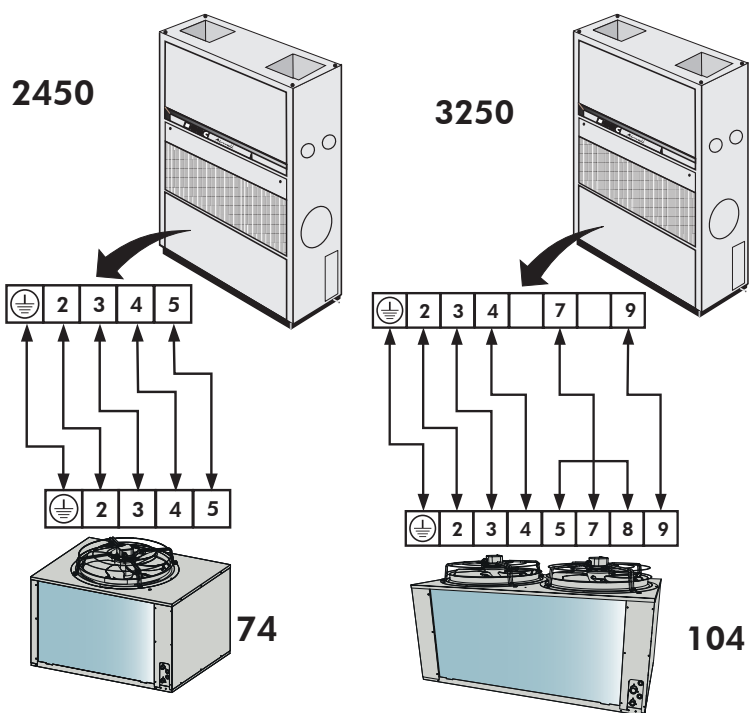
Potenza nominale trasformatore monofase 400V - 230V	100 VA
---	--------



## COLLEGAMENTI ELETTRICI

**NOTA : I motori 74 e 104 possono essere accoppiati monofase 400/230V.**

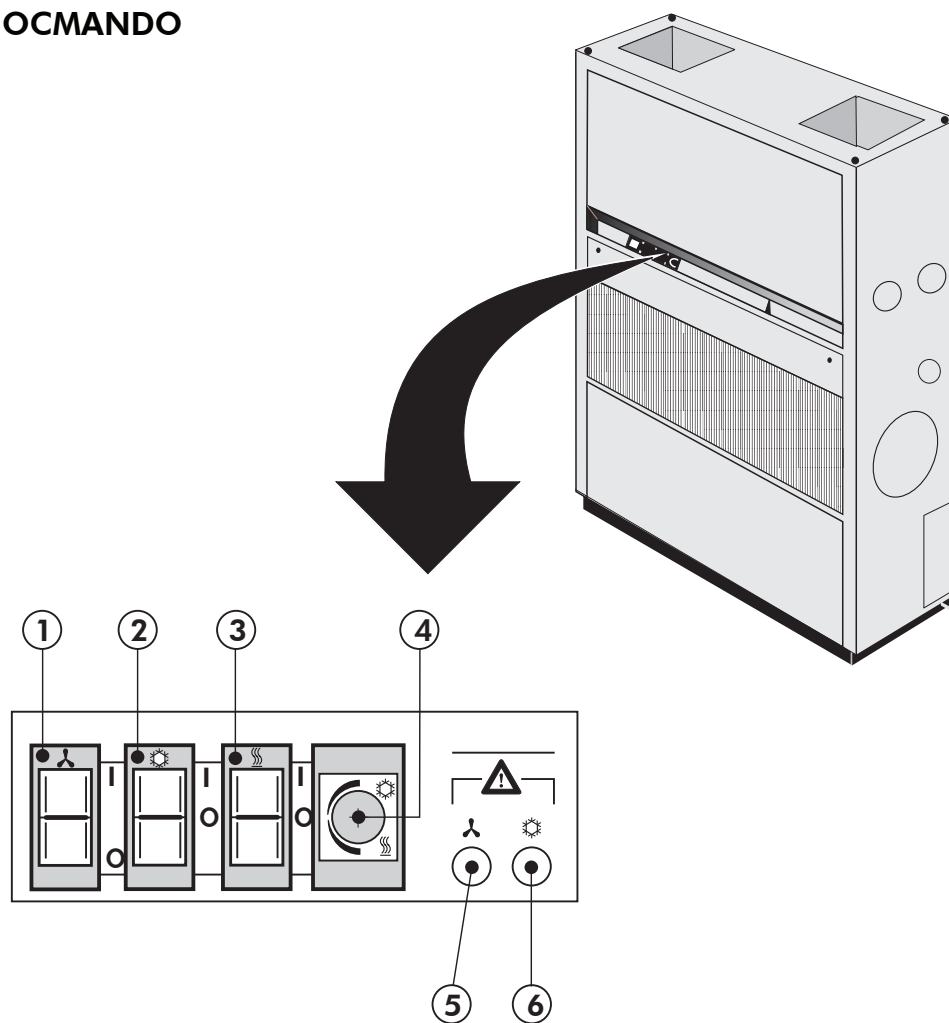
- Vengono forniti accoppiati in fabbrica per 400 V tra due fasi.
- Devono essere accoppiati in cantiere con la tensione d'alimentazione dell'armadio, cioè monofase 230V per un armadio trifase 230 V.



## COLLEGAMENTI CON COMANDO A DISTANZA

		2450	3250
FREDDO + VENTIL.			
Intensità nominale	A	1	1
Intensità massima	A	2	2
Intensità totale di avviamento	A	3	3
Sezione cavo alimentazione	mm <sup>2</sup>	1.5	1.5

## PIASTRA DI OCMANDO



1. Interruttore On/Off ventilazione  
0 Arresto  
1 Marcia con spia luminosa
2. Selettore freddo  
0 Arresto  
1 Marcia freddo
3. Selettore caldo  
0 Arresto  
1 Marcia caldo
4. Termostato di atmosfera del tipo:  
invertitore (fornitura di base)  
a zona neutra (accessorio)
5. Allarme del ventilatore
6. Allarme del compressore (Presso stato AP Termico compressore).

INSTALLATION INSTRUCTION

NOTICE D'INSTALLATION

INSTALLATIONSHANDBUCH

ISTRUZIONI INSTALLAZIONE

**INSTRUCCIONES DE INSTALACIÓN**

English

Français

Deutsch

Italiano

**Español**

# SUMARIO

<b>RECOMENDACIONES GENERALES</b> .....	<b>3</b>
CONSEJOS DE SEGURIDAD .....	3
ADVERTENCIA .....	3
DATOS DE SEGURIDAD DEL EQUIPO .....	4
<b>CONTROL Y ALMACENAMIENTO</b> .....	<b>5</b>
<b>GARANTÍA</b> .....	<b>5</b>
<b>COMPOSICIÓN DEL BULTO</b> .....	<b>6</b>
<b>DIMENSIONES</b> .....	<b>6</b>
PESO NETO .....	6
<b>ESPECIFICACIONES TÉCNICAS</b> .....	<b>7</b>
ALIMENTACIÓN ELÉCTRICA .....	7
CONEXIÓN CON UNIDAD EXTERIOR (UNIDAD CON CONDENSACIÓN POR AIRE) .....	7
<b>DESCRIPCIÓN</b> .....	<b>8</b>
<b>INSTALACIÓN</b> .....	<b>9</b>
INSTALACIÓN DE LA UNIDAD INTERIOR .....	9
ÁREA DE SERVICIO .....	9
COLOCACIÓN DE LA UNIDAD .....	9
IMPULSIÓN Y RETORNO DE AIRE .....	10
ACCESO A LOS FILTROS .....	10
INSTALACIÓN DE LA UNIDAD EXTERIOR .....	11
ESPACIOS LIBRES QUE DEBEN PREVERSE .....	11
EMPLAZAMIENTO .....	11
FIJACIÓN EN EL SUELO .....	11
<b>CONEXIONES FRIGORÍFICAS (UNIDAD CON CONDENSACIÓN POR AIRE)</b> .....	<b>12</b>
CONEXIONES FRIGORÍFICAS .....	12
CARGA DE REFRIGERANTE .....	12
TUBOS QUE DEBEN REALIZARSE EN LA OBRA .....	12
CURVADO DE LOS TUBOS FRIGORÍFICOS .....	13
PAR DE APRIETE DE LAS VÁLVULAS FRIGORÍFICAS .....	13
PROCEDIMIENTO DE CONEXIÓN PARA LAS VÁLVULAS DE ACTIVACIÓN UNITARIA .....	13
<b>CONEXIÓN HIDRÁULICA</b> .....	<b>14</b>
EVACUACIÓN DE SEGURIDAD .....	14
<b>CONEXIONES ELÉCTRICAS</b> .....	<b>14</b>
TRANSFORMADOR .....	14
CONEXIONES ELÉCTRICAS .....	15
CONEXIONES CON MANDO A DISTANCIA .....	15
<b>PLETINA DE MANDO</b> .....	<b>16</b>



## **PONER LA UNIDAD FUERA DE TENSIÓN ANTES DE CUALQUIER INTERVENCIÓN EN LA CAJA DE MANDO ELÉCTRICA.**

### **RECOMENDACIONES GENERALES**

Antes de instalar el aparato, leer atentamente las siguientes consignas de seguridad.

#### **CONSEJOS DE SEGURIDAD**

Cuando intervenga en su equipo, respete las reglas de seguridad en vigor.

La instalación, utilización y mantenimiento deben ser realizados por personal cualificado, que conozca perfectamente la legislación y la normativa locales y que tenga experiencia en este tipo de equipos.

El aparato debe manipularse con sistemas diseñados para resistir su peso.

Todos los cableados usuario deben efectuarse de conformidad con la normativa nacional correspondiente.

Compruebe que la alimentación eléctrica y su frecuencia están adaptadas a la corriente de funcionamiento necesaria, teniendo en cuenta las condiciones específicas del emplazamiento y la corriente necesaria para cualquier otro aparato conectado en el mismo circuito.

El aparato debe **CONECTARSE A TIERRA** para evitar los eventuales peligros resultantes de fallos de aislamiento.

Se prohíbe intervenir en los elementos eléctricos del aparato en presencia de agua y de humedad.

#### **ADVERTENCIA**

Cortar la corriente antes de cualquier intervención u operación de mantenimiento.

Durante la conexión hidráulica, debe evitarse la introducción de cuerpos extraños en la tubería.

**El fabricante no se responsabiliza de ningún incidente que pudiera producirse y la garantía dejará de ser válida si no se respetan estas instrucciones de instalación.**

Si tiene dificultades, recurra al Servicio Técnico de su zona.

Si fuera posible, antes de colocar el aparato en su implantación definitiva, monte los accesorios, obligatorios o no (ver las instrucciones entregadas con cada accesorio).

Para un mejor conocimiento del producto, le recomendamos que consulte también nuestras instrucciones técnicas.

Las informaciones que figuran en este manual pueden ser modificadas sin previo aviso.

## DATOS DE SEGURIDAD DEL EQUIPO

Datos sobre la seguridad	R407C
Grado de toxicidad	Bajo.
En contacto con la piel	Las salpicaduras o una proyección de fluido refrigerante pueden causar quemaduras, pero no son peligrosas en caso de absorción. Descongelar con agua las zonas afectadas. Retirar la ropa contaminada con cuidado, ya que puede pegarse a la piel en caso de quemaduras debidas a la congelación. Limpiar las zonas afectadas con abundante agua caliente. Si aparecen síntomas (irritación o formación de ampollas), consultar a un médico.
En caso de contacto con los ojos	El vapor no tiene ningún efecto. Las salpicaduras o una proyección de líquido pueden causar quemaduras. Limpiar inmediatamente con un colirio o agua limpia durante al menos 10 minutos. Consultar con un médico urgentemente.
Ingestión	Es casi imposible, pero si ocurriera, pueden producirse quemaduras. No provocar el vómito. Si el paciente está consciente, lavarle la boca con agua y hacerle beber unos 250 ml de agua. Consultar a un médico urgentemente.
Inhalación	R407C: Las concentraciones atmosféricas elevadas pueden tener un efecto anestésico y provocar la pérdida de conocimiento. Las exposiciones importantes pueden provocar un ritmo cardíaco anormal con el resultado de una muerte súbita.
	Con una concentración más elevada, existe un peligro de asfixia debido a una disminución de oxígeno en la atmósfera. Llevar al paciente al aire fresco, taponarlo y calmarlo. Si fuera necesario, hacer que inhale oxígeno. Hacerle la respiración artificial si no respira o le falta aire. En caso de paro cardíaco, efectuar un masaje cardíaco externo. Consultar inmediatamente a un médico.
Otros consejos médicos	Se recomienda un tratamiento sintomático de apoyo. En presencia de catecolaminas en circulación como la adrenalina, una sensibilidad cardíaca puede producir un aumento de las arritmias y, posteriormente, un paro cardíaco si se ha estado expuesto a concentraciones elevadas.
Exposición de larga duración	R407C: Un estudio relativo a una inhalación de por vida realizado en ratas, demuestra que la exposición a 50.000 ppm provoca tumores benignos en los testículos. Esto no se considera significativo para los humanos expuestos a concentraciones iguales o inferiores al límite de exposición profesional.
Límites de exposición profesional	R407C: Límite recomendado: 1.000 ppm v/v 8 h TWA.
Estabilidad	R407C: No precisado.
Condiciones que hay que evitar	La utilización en presencia de fuego al descubierto, superficies al rojo vivo y niveles de humedad elevados.
Reacciones peligrosas	Puede tener una reacción violenta en contacto con sodio, potasio, bario y otros metales alcalino-terrosos. Materiales incompatibles: magnesio y aleaciones que contengan más de un 2% de magnesio.
Productos de descomposición peligrosos	R407C: El hidrácido halogenado formado por la disociación térmica y la hidrólisis.
Precauciones generales	Evitar inhalar concentraciones elevadas de vapores. Las concentraciones atmosféricas deberán minimizarse y conservarse, en la medida de lo posible, por debajo del límite de exposición profesional. El vapor es más pesado que el aire y se concentra a un nivel bajo y en lugares reducidos. Ventilar mediante extracción en los niveles más bajos.
Protección respiratoria	En caso de dudas sobre la concentración atmosférica, se deberán utilizar aparatos de respiración homologados por los servicios de sanidad. Estos aparatos contendrán oxígeno o permitirán una mejor respiración.
Almacenamiento	Los contenedores deberán almacenarse en un lugar seco y frío, a cubierto de los riesgos de incendio, de la exposición directa al sol y lejos de cualquier fuente de calor como, por ejemplo, radiadores. Las temperaturas no deberán sobrepasar 45°C.
Ropa de protección	Llevar mono, guantes impermeables y gafas de protección o una mascarilla.
Procedimiento en caso de vertido o de fuga	Asegurarse de que todos los participantes llevan ropa de protección adecuada, así como aparatos respiratorios. Si fuera posible, aislar la fuente de la fuga. Favorecer la evaporación de pequeños vertidos a condición de que haya una ventilación adecuada. Vertidos importantes: ventilar la zona. Controlar los vertidos con arena, tierra o cualquier otra materia absorbente adecuada. Impedir que el líquido penetre en las canalizaciones de evacuación, los desagües, los sótanos y las fosas de inspección, ya que el vapor puede crear una atmósfera sofocante.
Evacuación de los residuos	Preferiblemente, recuperar y reciclar. Si no fuera posible, destruirlos en una zona autorizada capaz de absorber y neutralizar los ácidos y demás productos de fabricación tóxicos.
Datos contra incendios	R407C: No inflamable en situación atmosférica.
Contenedores	Los contenedores expuestos al fuego deberán mantenerse fríos por medio de chorros de agua. Pueden estallar si se recalientan.
Equipo de protección contra incendios	En caso de incendio, llevar inhaladores autónomos y ropa de protección.

## CONTROL Y ALMACENAMIENTO

Cuando se reciba el equipo, verificar cuidadosamente todos los elementos remitiéndose al albarán de transporte para comprobar que se han recibido todas las cajas y paquetes. Examinar todos los aparatos para cerciorarse de que no hay daños visibles u ocultos.

**En caso de deterioro, formular las reservas precisas en el documento de transporte y enviar inmediatamente una carta certificada al transportista, indicando claramente los deterioros que se hayan producido. Transmitir una copia de esta carta al constructor o a su representante.**

No colocar o transportar el aparato invertido. Debe guardarse en el interior, totalmente protegido de la lluvia, la nieve, etc. Las variaciones meteorológicas (temperaturas elevadas y bajas) no deben deteriorar el aparato. Las temperaturas excesivamente elevadas (a partir de 60°C) pueden deteriorar ciertos materiales plásticos y provocar daños irreversibles. Además, algunos componentes eléctricos o electrónicos pueden funcionar de forma incorrecta.

## GARANTÍA

Los grupos se entregan totalmente ensamblados y después de haber realizado las pruebas necesarias para que funcionen correctamente.

Cualquier modificación de las unidades, sin acuerdo por escrito del constructor, conllevará la anulación de la garantía.

Para conservar la validez de la garantía, es imprescindible que se cumplan las siguientes condiciones:

- La puesta en servicio deberán realizarla técnicos especializados de los servicios acreditados por el constructor.
- El mantenimiento debe ser realizado por técnicos formados con este objeto.
- Sólo se utilizarán piezas de recambio de origen.
- Todas las operaciones enumeradas en el presente manual deberán realizarse en los plazos estipulados.



**Si NO SE CUMPLE ALGUNA DE ESTAS CONDICIONES,  
LA GARANTÍA SE ANULARÁ AUTOMÁTICAMENTE.**

## COMPOSICIÓN DEL BULTO

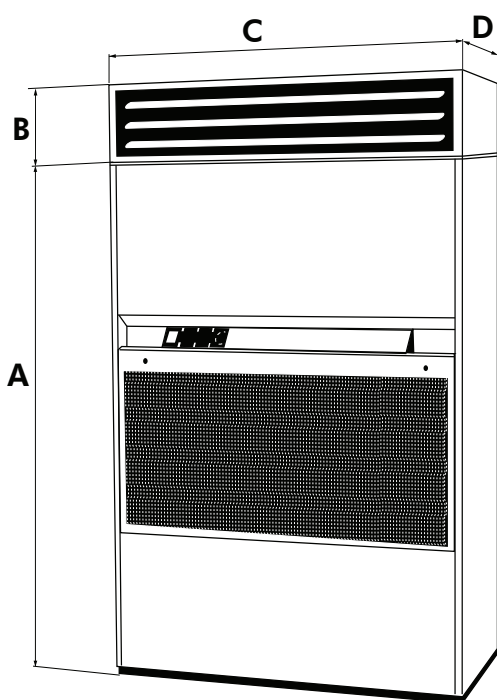
### X 2450 / X 3250

- 1 unidad interior
- 1 esquema eléctrico
- 1 leyenda
- 1 lote de pasahilos

### UC 74 / UC 104

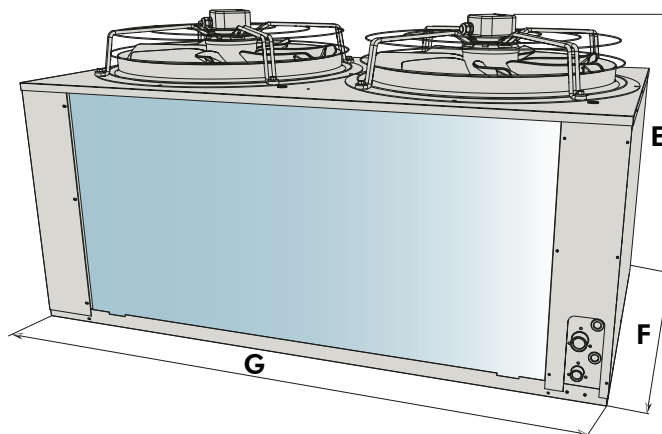
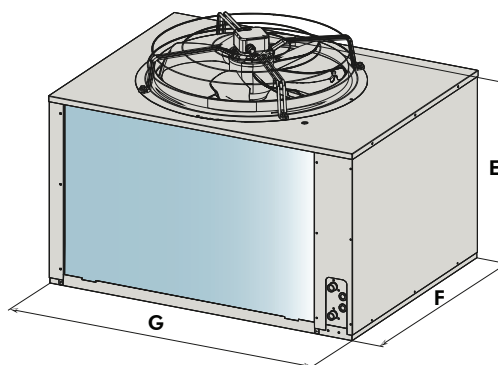
- 1 unidad exterior

## DIMENSIONES



		A	B	C	D
2450	mm	1840	350	1300	600
3250	mm	1840	350	1530	600

		E	F	G
74	mm	840	885	1141
104	mm	840	885	1546



## PESO NETO

		X ARV	X AO
2450	kg	265	305
3650	kg	350	380

		UC
74	kg	93
104	kg	130



## ESPECIFICACIONES TÉCNICAS

### ALIMENTACIÓN ELÉCTRICA

	2450				3250				
Tipo de alimentación	3 ~230 V* - 50 Hz		3N ~400 V - 50 Hz		3 ~230 V* - 50 Hz		3N ~400 V - 50 Hz		
Modelos	X ARV	X AO	X ARV	X AO	X ARV	X AO	X ARV	X AO	
• Frío + Ventilación (VS/FV)									
Potencia absorbida Nominal	kW	8.2/8.9	7.1/7.8	8.2/8.9	7.1/7.8	12.3/13.1	9.8/10.6	12.3/13.1	9.8/10.6
Intensidad máxima	A	37/40	32/35	23/26	19/21	55/57	46/48	34/36	26/28
Intensidad de arranque	A	145/154	124/133	83/86	71/74	200/220	176/196	117/128	96/107
Calibre fusible aM	A	40	32/40	25	20/25	63	50	40	32
Sección de Cable	mm <sup>2</sup>	10	6/10	4	2.5/4	16	10	6/10	6
• Calefacción eléctrica + Ventilación (VS/FV)									
Potencia absorbida Nominal	kW	18.7/19.2	18.7/19.3	18.7/19.3	18.7/19.3	23.4/24.3	23.4/24.3	23.4/24.3	23.4/24.3
Intensidad máxima	A	59/62	50/62	33/35	33/35	74/76	74/76	43/45	43/45
Intensidad de arranque	A	145/154	124/133	83/86	71/74	200/220	176/196	117/128	96/107
Calibre fusible aM	A	63	63	40	40	80	80	50	50
Sección de Cable	mm <sup>2</sup>	16	16	10	10	25	25	10	10
• Frío + Ventilación (VS/FV) + Calefacción eléctrica									
Potencia absorbida Nominal	kW	26.2/26.9	25.1/25.8	26.2/26.9	25.1/25.8	34.8/35.6	32.3/33.1	34.8/35.6	32.3/33.1
Intensidad máxima	A	91/94	86/89	54/56	49/51	122/124	113/115	73/75	65/67
Intensidad de arranque	A	199/208	178/187	113/116	101/104	272/292	243/263	161/172	135/146
Calibre fusible aM	A	100	100	63	50/63	125	125	80	80
Sección de Cable	mm <sup>2</sup>	35	35	16	10/16	50	50	25	25

\* Interruttore generale non fornito a carico dell'installatore

**VS:** Ventilazione Standard

**FV:** Forte Ventilazione

**NOTA :** Para el funcionamiento en deshumidificación, se considera sólo un grupo FRÍO y 2x9 kW de calefacción.

### CONEXIÓN CON UNIDAD EXTERIOR (UNIDAD CON CONDENSACIÓN POR AIRE)

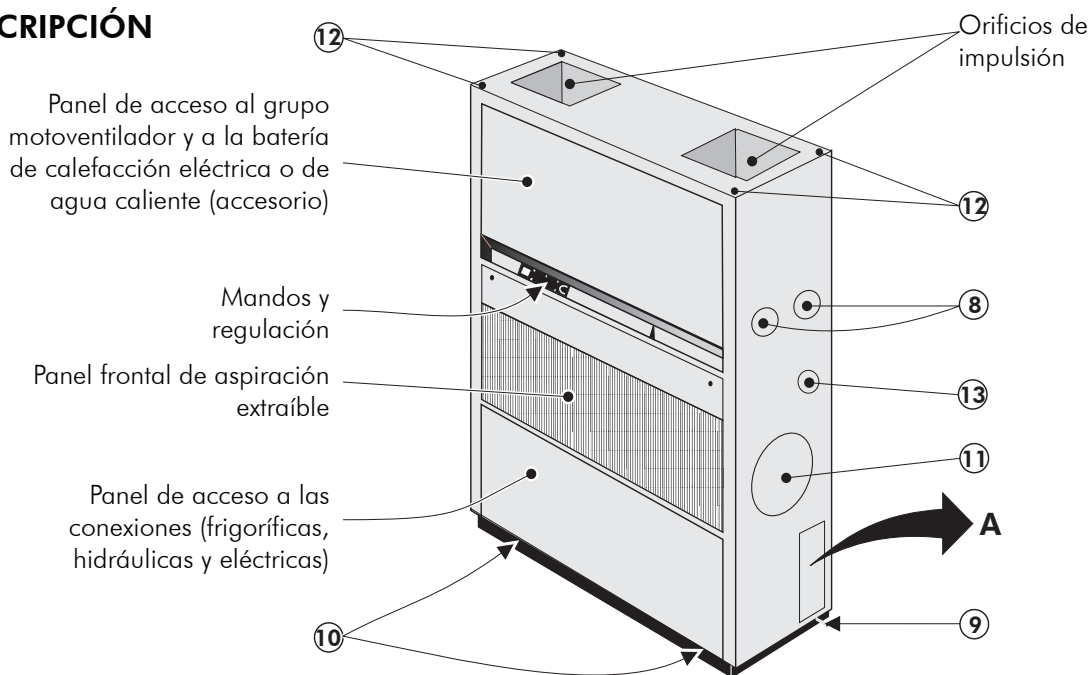
		2450	3250
Alimentación		3 ~230 V* - 50 Hz	3 ~230 V* - 50 Hz
Modelos acoplamiento		UC 74	UC 104
Alimentación		~230 V - 50 Hz	~230 V - 50 Hz
Potencia absorbida nominal	W	611	1222
Intensidad máxima	A	3.1	6.2
Intensidad total en la puesta en marcha	A	5.5	11
Sección cable de alimentación	mm <sup>2</sup>	1.5	1.5

\*TRIFÁSICA 220 V: Instalación reglamentada en Francia.

### IMPORTANTE

Estos valores figuran a título indicativo. Por tanto, deben ser verificados y ajustados en función de las normas en vigor: dependen del modo de instalación y de la elección de los conductores.

## DESCRIPCIÓN



1. Canalizaciones frigoríficas hacia UC (caso por AIRE)  
Alimentación agua de refrigeración (caso por AGUA)
  - Salida agua perdida = 2450 tuerca 1" (Ø 26- 34)
  - Salida agua reciclada = 2450 1" 1/4 (Ø 33 - 42)
  - Alimentación agua 3250 tuerca 1" (Ø 26 - 34)
  - Alimentación agua 3250 tuerca 1" 1/2 (Ø 40 - 49)

2. Canalizaciones frigoríficas hacia UC (caso por AIRE)  
Alimentación agua de refrigeración (caso por AGUA)
  - Alimentación agua perdida = 2450 tuerca 1" (Ø 26- 34)
  - Alimentación agua reciclada = 2450 1" 1/4 (Ø 33 - 42)
  - Salida agua 3250 tuerca 1" (Ø 26 - 34)
  - Salida agua 3250 tuerca 1" 1/2 (Ø 40 - 49)

3. Evacuación agua condensada - Tubo flexible - 26x32.

4. Conexión eléctrica - caso "Informe de fallos".

5. Conexión eléctrica - caso "Mando Secundario".

6. Alimentación eléctrica general.

7. Conexiones eléctricas hacia las UC - caso por AIRE.

8. Entrada y salida de la batería con agua caliente incorporada (M. Ø 33x42).

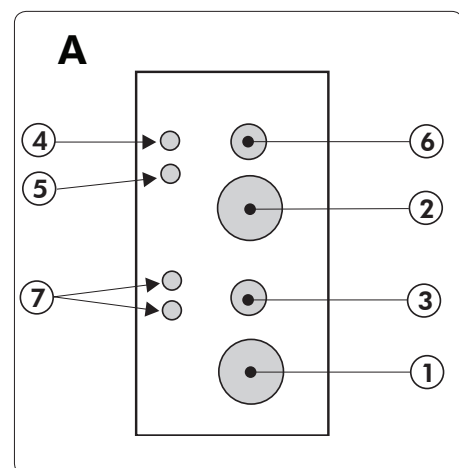
9. Evacuación de seguridad del fondo del aparato (obturado con un tapón)

10. Orificios de fijación del embalaje (2 en la parte delantera, 2 en la parte trasera) - Deben taparse con los pernos de fijación del aparato, sobre su palet.

11. Orificio Ø 200 mm, de conexión eventual de un conducto de recuperación de aire nuevo (debe ser realizado por el instalador).

12. Tuercas M8, situadas en los 4 ángulos del armario para elevación vertical (sistema con viga de manipulación).

13. Orificio diámetro 29 mm para tubo de vapor (no suministrado) que debe montarse obligatoriamente a la derecha del aparato.



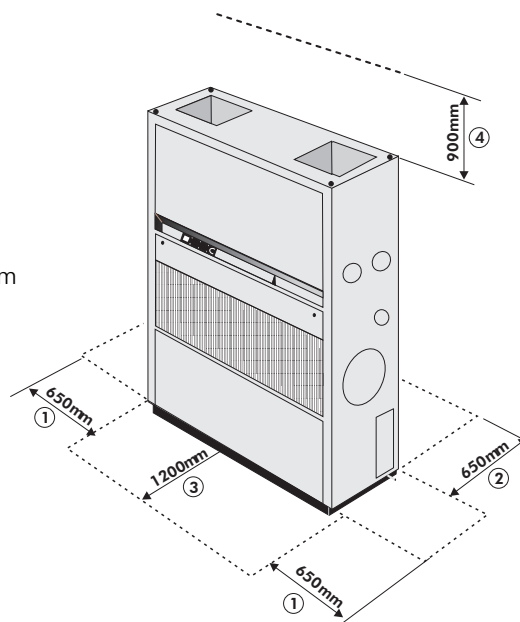
## INSTALACIÓN



La unidad no ha sido diseñada para soportar pesos o tensiones de equipos adyacentes, tuberías y construcciones. Cualquier peso o tensión ajenos podría provocar un problema de funcionamiento o un hundimiento que puede ser peligroso y causar daños corporales. En este caso, se anularía la garantía

### INSTALACIÓN DE LA UNIDAD INTERIOR ÁREA DE SERVICIO

1. por el lado elegido para las conexiones
2. caso retorno total de aire trasero
3. caso impulsión de aire delantera con accesorio plenum
4. caso impulsión de aire directa vertical



**RESPETAR LAS DISTANCIAS MÍNIMAS INDICADAS ALREDEDOR DEL ARMARIO.**

### COLOCACIÓN DE LA UNIDAD



El soporte de la unidad deberá preverse tal como se indica en este manual. En caso de un soporte inadecuado, el personal corre el riesgo de sufrir daños corporales.

La unidad debe instalarse sobre una base horizontal estable, lo bastante resistente como para soportar su peso cuando se utilice.

1. Debe ser suficientemente alta para asegurar una buena evacuación del agua de descongelación y permitir que los posibles bloques de hielo caigan de la batería fría durante el ciclo de descongelación.
2. La unidad debe estar ligeramente inclinada hacia la salida de condensados, para facilitar su evacuación directa.
3. Limitar los racores de conducto al mínimo para reducir las pérdidas.
4. La unidad debe instalarse lo más lejos posible para reducir el ruido.
5. Todas las conexiones eléctricas y de conductos de la unidad deberán ser flexibles para evitar la transmisión de vibraciones.
6. Además de los espacios libres que se indican en la hoja de dimensiones, es primordial prever un acceso seguro y adecuado para su reparación y mantenimiento.

Antes de la instalación definitiva del armario, montar los accesorios que se hayan previsto (calefacción, aspiración trasera o lateral, plenum, etc.). Para ello, remitirse a los documentos específicos suministrados con cada accesorio o kit.

Desmontar los paneles frontal superior de aspiración e inferior, respetando las siguientes instrucciones.

➤ **DESMONTAJE DEL PANEL FRONTAL SUPERIOR A**

(Acceso al motoventilador y a la batería de calefacción eléctrica o agua caliente (accesorio))

Desatornillar los 2 tornillos, tirar hacia delante y, después, hacia inferior.

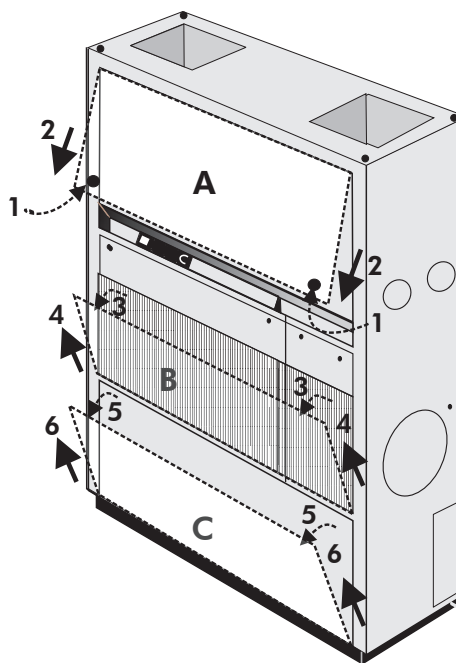
➤ **DESMONTAJE DEL PANEL FRONTAL DE ASPIRACIÓN B**

Girar los dos cerrojos un cuarto de vuelta y tirar hacia delante; después, tirar hacia arriba.

➤ **DESMONTAJE DEL PANEL FRONTAL INFERIOR C**

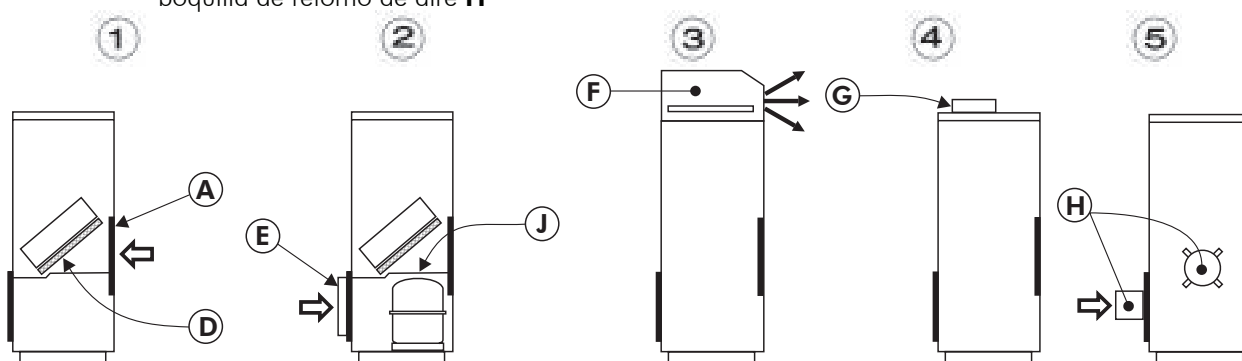
(Acceso a las conexiones frigoríficas, hidráulicas y eléctricas)

Desatornillar los 2 tornillos, tirar hacia delante y, después, levantar hacia arriba.



**IMPULSIÓN Y RETORNO DE AIRE**

1. Retorno directo de aire por el panel frontal extraíble **A** y el filtro **D** (montaje de origen).
2. Retorno total de aire trasero, por conducto: Elementos de conexiones de conducto **E** a montar en la parte trasera del aparato (DESMONTAR la chapa de obturación **J**).
3. Impulsión de aire directa a través de plenum de difusión **F** con rejillas orientables (accesorio), fijada en la parte superior del aparato.
4. Impulsión de aire por conducto: elementos de conexión de conducto de impulsión **G** (accesorio) a montar en la parte trasera o encima del aparato.
5. Posibilidad de retorno parcial de aire nuevo lateralmente o en la parte trasera, con el accesorio boquilla de retorno de aire **H**



**Acceso a los filtros**

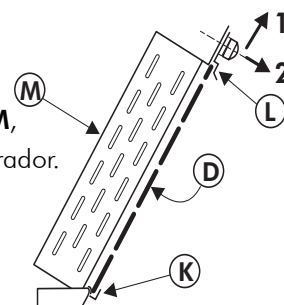
1. Desmontaje de los paneles de aspiración.

2. Los filtros **D** están sujetos :

- en los soportes fijos **K**, situados en la parte inferior del evaporador **M**,
- por los soportes extraíbles **L**, situados en la parte superior del evaporador.

3. Para desmontarlos :

- **1** Levantar
- **2** Tirar.

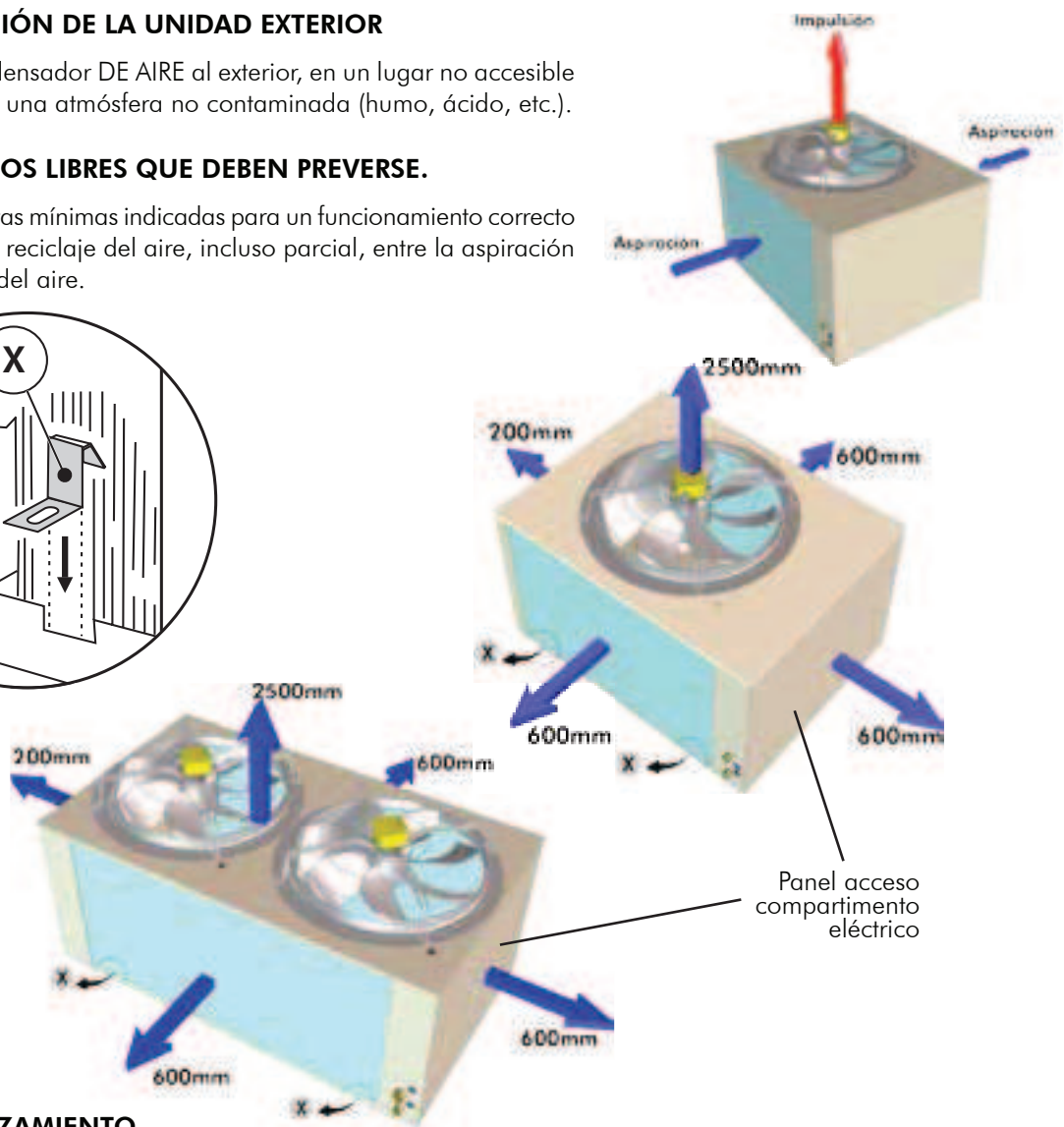
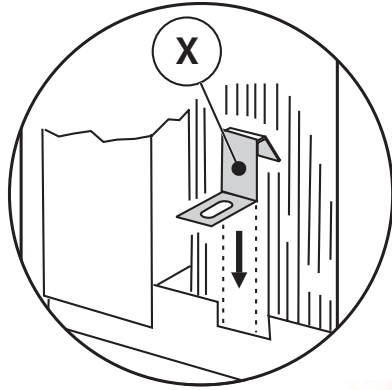


## INSTALACIÓN DE LA UNIDAD EXTERIOR

Instalar el condensador DE AIRE al exterior, en un lugar no accesible al público y en una atmósfera no contaminada (humo, ácido, etc.).

### ESPACIOS LIBRES QUE DEBEN PREVERSE.

Respetar las cotas mínimas indicadas para un funcionamiento correcto y para evitar el reciclaje del aire, incluso parcial, entre la aspiración y la impulsión del aire.

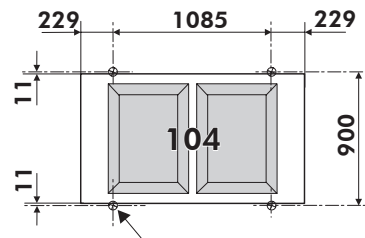
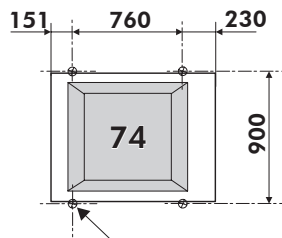


### EMPLAZAMIENTO.

Instalar el condensador fijándolo sobre un soporte de albañilería (losa de hormigón).

### FIJACIÓN EN EL SUELO

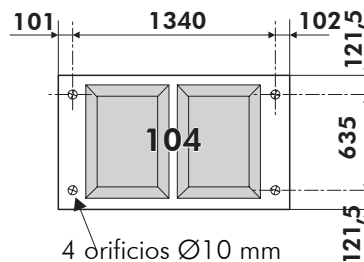
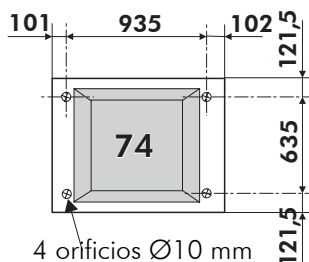
**74 y 104** con las patillas **X** utilizadas para fijar el aparato a su palet



4 orificios oblongos de 9x16 mm

4 orificios oblongos de 9x16 mm

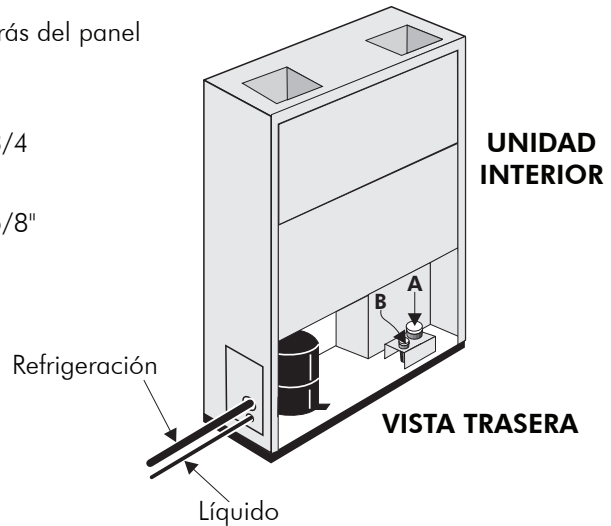
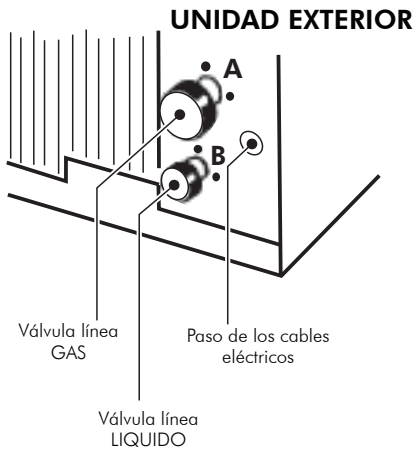
u por los orificios previstos en los resaltes situados en el fondo del aparato. Se accede a ellos después de desmontar los paneles laterales



## CONEXIONES FRIGORÍFICAS (UNIDAD CON CONDENSACIÓN POR AIRE)

Las válvulas de conexiones frigoríficas están situadas detrás del panel frontal inferior del aparato, hacia la parte trasera.

- Válvula A: línea GAS  
2450 ➤ Ø 5/8"      3250 ➤ Ø 3/4"
- Válvula B: línea LÍQUIDO  
2450 ➤ Ø 1/2"      3250 ➤ Ø 5/8"



Los unidades exteriores son cargados en fábrica y están equipados de válvulas de conexiones frigoríficas. Respetar las consignas de las válvulas de membranas no desenchufables.

### CONEXIONES FRIGORÍFICAS

- Entregadas precargadas de fábrica:  
**LONGITUD MÁXIMA: 25 m**
- Realizadas en obra por el instalador:  
**LONGITUD MÁXIMA: 45 m.**

### CARGA DE REFRIGERANTE

conexiones de hasta 45 m:

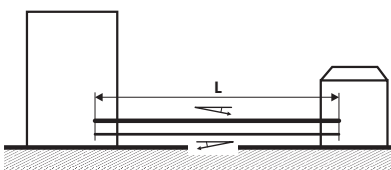
- Línea GAS:  
precarga gaseosa.
- Línea LÍQUIDO (por encima de 2 m):  
2450 ➤ 110g/m      3250 ➤ 183g/m

Para las conexiones frigoríficas de una longitud comprendida entre 25 y 45 m (que deben realizarse in situ), la determinación de los diámetros y de la carga, así como las precauciones de instalación, deben establecerse según las normas de buena ejecución.

### TUBOS QUE DEBEN REALIZARSE EN LA OBRA

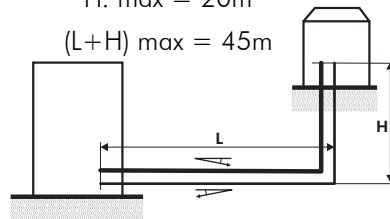
Condensadores situados al mismo nivel que el armario

L. max = 45m



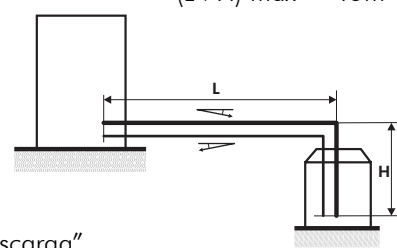
Condensadores situados a un nivel superior al del armario

H. max = 20m  
(L+H) max = 45m



Condensadores situados a un nivel inferior al del armario

H. max = 9m  
(L+H) max = 45m



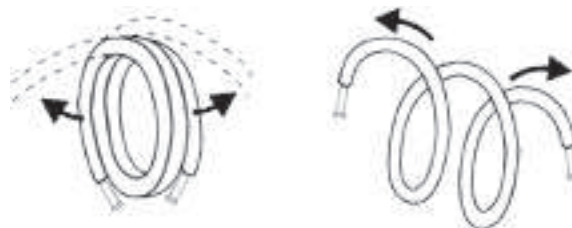
Pendiente mínima de 1 cm / m hacia abajo

Tubo "Descarga"

Tubo "Líquido"

Esta operación debe ser efectuada por personal cualificado y según las normas de buena ejecución del frigorista (soldadura, aislamiento, vacío, carga, etc.).

- Desenrollar cuidadosamente los tubos en el sentido contrario a las espiras, para no doblarlos.



### CURVADO DE LOS TUBOS FRIGORÍFICOS

El radio de curvado de los tubos debe ser igual o superior a 3,5 veces el  $\varnothing$  exterior del tubo.

No curvar los tubos más de 3 veces consecutivamente ni efectuar más de 12 codos en la longitud total de la conexión.



### PAR DE APRIETE DE LAS VÁLVULAS FRIGORÍFICAS

- LÍQUIDO  
(válvula pequeña) 15 Nm

- ASPIRACIÓN  
(válvula grande) 55 Nm

1 Newton/metro = 0,1 m/kg

### PROCEDIMIENTO DE CONEXIÓN PARA LAS VÁLVULAS DE ACTIVACIÓN UNITARIA

- Pongas las dos mitades de la conexión una entrente de la otra.
- Quitele el tapón protector a las dos conexiones.
- Compruebe que las válvulas están lubricadas por dentro. Si no lo están, lubriquelas ligeramente con un aceite especial para usar en refrigeración.
- Para comprobar que la rosca entra correctamente, dele algunas vueltas con la mano en el sentido de las agujas del reloj.
- Siga enroscándola con una llave en el sentido de las agujas del reloj, sujetando al mismo tiempo la parte de atrás (el lado del tubo) con otra llave colocada en el sentido contrario a las agujas del reloj. Haga esto hasta apretar firmemente la rosca, entonces termine con un cuarto de vuelta adicional de la llave.
- Este último paso se hace para enganchar la frisa metálica interna.

### NOTA

- Antes de haber enroscado hasta el tope, es posible que se observe un pequeño escape de freón, que debería desaparecer rápidamente.
- Realice ahora las pruebas de estanqueidad.



**COMO MEDIDA DE SEGURIDAD, NUNCA DESCONECTE ESTAS CONEXIONES CUANDO EL CIRCUITO ESTÉ BAJO LA PRESIÓN DEL REFRIGERANTE.**

## CONEXIÓN HIDRÁULICA

La alimentación y la salida del agua de refrigeración (unidad con condensación por agua) se realizan en los tubos flexibles situados en la parte inferior del aparato, en cuyo extremo hay tuercas libres.

Paso previsto a la derecha o a la izquierda lateralmente (ver DESCRIPCIÓN en la página 8).

Evacuación de los condensados: el tubo flexible (26 x 32) en espera en la parte inferior del aparato debe salir por el orificio pretaladrado indicación 3.

### EVACUACIÓN DE SEGURIDAD

El fondo estanco de la Unidad Interior, que permite recuperar los condensados o desbordamientos anormales, está equipado de una salida lateral derecha o izquierda: tubo liso Ø 22 mm exterior.

El conducto de evacuación del agua condensada debe tener una pendiente mínima de 2,5 cm/m, dirigida en el sentido de la circulación.

En caso de una conexión a la alcantarilla, es necesario instalar un sifón en la canalización de evacuación.

Si fuera necesario, se deberá aislar térmicamente la evacuación (riesgo de helada o de condensación).

## CONEXIONES ELÉCTRICAS

La caja eléctrica está situada detrás del panel frontal inferior.

Alimentación general en los bornes de potencia situados a la izquierda, en la caja eléctrica, detrás de la tapa de protección de plástico.

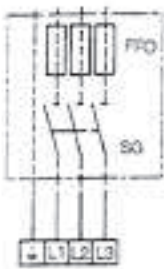
### ATENCIÓN

En el caso de una resistencia de cárter, debe instalarse en función de la temperatura ambiente a la que se encuentra el compresor: 2 horas antes de la conmutación del aparato en un ambiente de 10°C, y 4 horas antes en un ambiente de 0°C.

Los unidad exterior se entregan para una tensión de utilización de 400V-50 Hz.

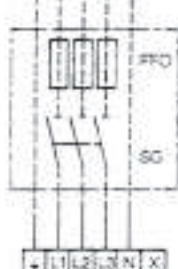
Alimentación  
3 ~ 230 V + T (con neutro)

3 ~ 230 V - 50 Hz + 





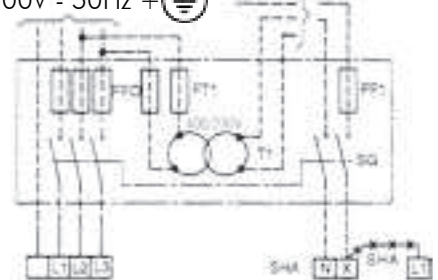
Alimentación  
3N ~ 400 V + T (con neutro)

3N ~ 400V - 50Hz + 



Alimentación  
3 ~ 400 V + T (sin neutro)

1 ~ 230V - 50Hz +   
3 ~ 400V - 50Hz + 



El shunt SHA (1) debe suprimirse.

SG : COMBINADO GENERAL OBLIGATORIO

FF0 - FF1 - FT1 : FUSIBLE TIPO aM

T1: TRANSFORMADOR 400/230 V

} a suministrar por el instalador (respetar las normativas locales)

### TRANSFORMADOR

Transformador (no incluido)

Para alimentación 3 ~ 400 V + T sin neutro

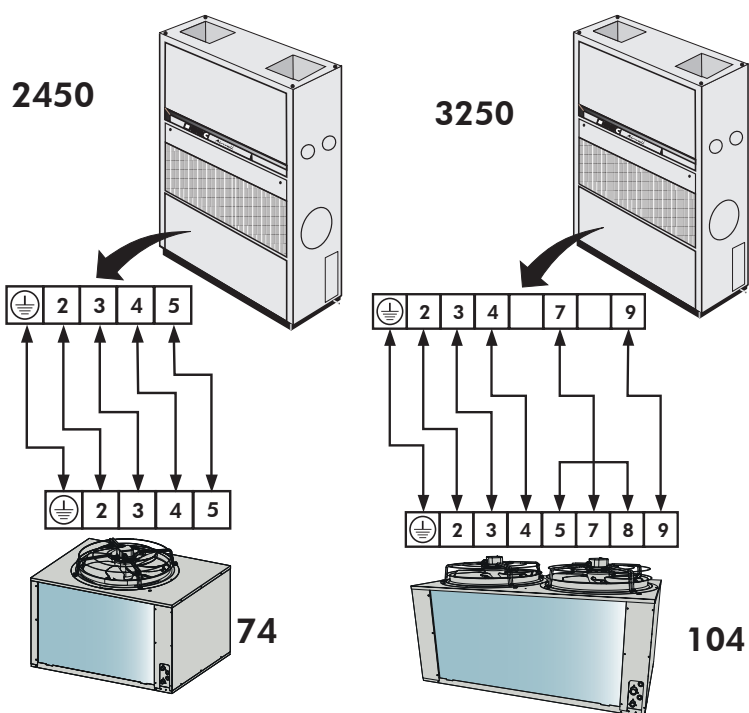
Potencia nominal transformador mono 400V - 230V	100 VA
--	--------



## CONEXIONES ELÉCTRICAS

**NOTA :** Los motores 74 y 104 son acoplables con una tensión monofásica de 400/230 V.

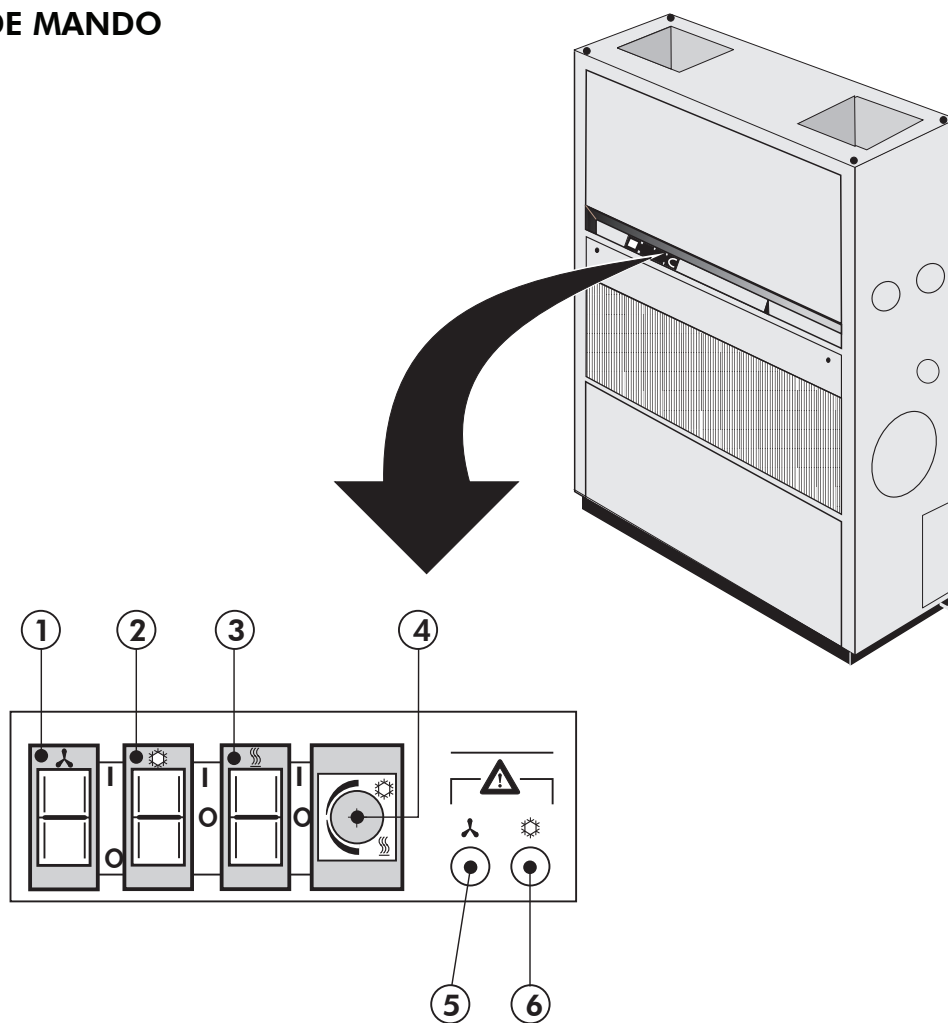
- Se entregan acoplados de fábrica apuestas dobles en 400 V entre dos fases.
- Deben acoplarse en obra a la tensión de alimentación del armario, es decir, con una tensión monofásica de 230 V para un armario con una tensión trifásica de 230 V.



## CONEXIONES CON MANDO A DISTANCIA

		2450	3250
FRIO + VENTILACIÓN			
Intensidad nominal	A	1	1
Intensidad maxima	A	2	2
Intensidad total arranque	A	3	3
Sección cable alimentación	mm <sup>2</sup>	1.5	1.5

## PLETINA DE MANDO



1. Interruptor Marcha/Parada ventilación  
0 Parada  
1 Marcha con indicador luminoso
2. Selector frío  
0 Parada  
1 Marcha frío
3. Selector calor  
0 Parada  
1 Marcha calor
4. Termostato de ambiente del tipo:  
inversor (suministro de base)  
de zona neutra (accesorio)
5. Fallo ventilación
6. Fallo compresor (Presostato AP Térmico compresor).