

Airwell

Just feel well

User & installation manual

SPLIT TYPE AIR CONDITIONER

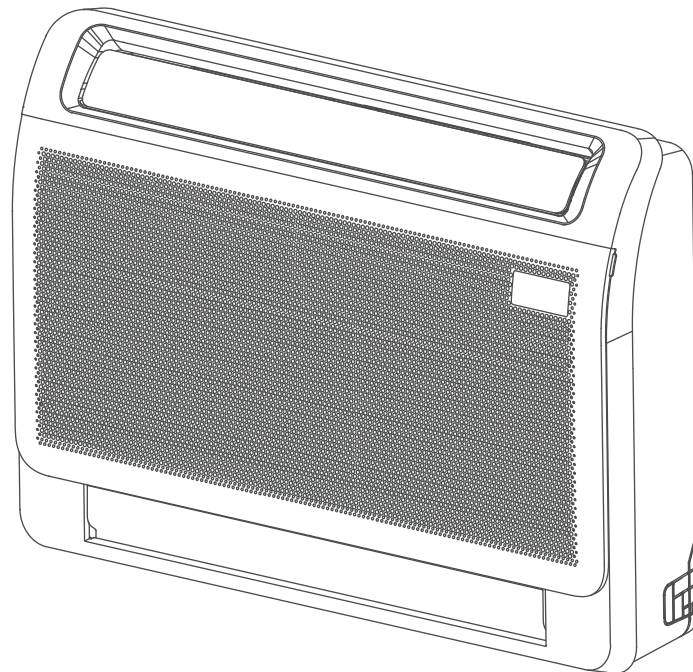
XDMX Console R32 range

Multilingual Manual

(English - French - Deutsch - Espanol - Italiano)

XDMX-035N-09M25 / YDAX-035H-09M25

XDMX-050N-09M25 / YDAX-050H-09M25



IMPORTANT NOTE:

Read this manual carefully before installing or operating your new air conditioning unit. Make sure to save this manual for future reference.

23.AW.XDMX.035-050.R32.IOM.FR.EN.DE.IT.24.04

Table of Contents

Safety Precautions04

Owner's Manual

Unit Specifications and Features.....09

1. Indoor unit display.....09
2. Operating temperature.....10
3. Other features11
4. Adjusting Air Flow Direction.....12

Care and Maintenance.....13

Troubleshooting.....15

Installation Manual

Accessories	18
Installation Summary	19
Unit Parts	20
Indoor Unit Installation	21
1. Select installation location	21
2. Installing the main body	22
3. Taking the indoor unit apart to connect the pipes	23
4. Network address set	24
5. Drill wall hole for connective piping	24
6. Connect drain hose	25
Outdoor Unit Installation	26
1. Select installation location	25
2. Install drain joint	27
3. Anchor outdoor unit	27
Refrigerant Piping Connection	29
A. Note on Pipe Length	29
B. Connection Instructions –Refrigerant Piping	30
1. Cut pipe	30
2. Remove burrs	30
3. Flare pipe ends	31
4. Connect pipes	31
Wiring	33
1. Outdoor Unit Wiring	34
2. Indoor Unit Wiring	35
3. Power Specifications	36
Air Evacuation	37
1. Evacuation Instructions	37
2. Note on Adding Refrigerant	38
Test Run	39

Safety Precautions

Read Safety Precautions Before Operation and Installation

Incorrect installation due to ignoring instructions can cause serious damage or injury.

The seriousness of potential damage or injuries is classified as either a **WARNING** or **CAUTION**.



WARNING

This symbol indicates the possibility of personnel injury or loss of life.



CAUTION

This symbol indicates the possibility of property damage or serious consequences.



WARNING

This appliance can be used by children aged from 8 years and above and persons with reduced physical, sensory or mental capabilities or lack of experience and knowledge if they have been given supervision or instruction concerning use of the appliance in a safe way and understand the hazards involved. Children shall not play with the appliance. Cleaning and user maintenance shall not be made by children without supervision(EN Standard requirements).

This appliance is not intended for use by persons(including children) with reduced physical, sensory or mental capabilities, or lack of experience and knowledge, unless they have been given supervision or instruction concerning use of the appliance by a person responsible for their safety. Children should be supervised to ensure that they do not play with the appliance.



WARNINGS FOR PRODUCT USE

- If an abnormal situation arises (like a burning smell), immediately turn off the unit and disconnect the power. Call your dealer for instructions to avoid electric shock, fire or injury.
- Do not insert fingers, rods or other objects into the air inlet or outlet. This may cause injury, since the fan may be rotating at high speeds.
- Do not use flammable sprays such as hair spray, lacquer or paint near the unit. This may cause fire or combustion.
- Do not operate the air conditioner in places near or around combustible gases. Emitted gas may collect around the unit and cause explosion.
- Do not operate your air conditioner in a wet room such as a bathroom or laundry room. Too much exposure to water can cause electrical components to short circuit.
- Do not expose your body directly to cool or hot air for a prolonged period of time.
- Do not allow children to play with the air conditioner. Children must be supervised around the unit at all times.
- If the air conditioner is used together with burners or other heating devices, thoroughly ventilate the room to avoid oxygen deficiency.
- In certain functional environments, such as kitchens, server rooms, etc., the use of specially designed air-conditioning units is highly recommended.

CLEANING AND MAINTENANCE WARNINGS

- Turn off the device and disconnect the power before cleaning. Failure to do so can cause electrical shock.
- Do not clean the air conditioner with excessive amounts of water.
- Do not clean the air conditioner with combustible cleaning agents. Combustible cleaning agents can cause fire or deformation.

CAUTION

- Turn off the air conditioner and disconnect the power if you are not going to use it for a long time.
- Turn off and unplug the unit during storms.
- Make sure that water condensation can drain unhindered from the unit.
- Do not operate the air conditioner with wet hands. This may cause electric shock.
- Do not use device for any other purpose than its intended use.
- Do not climb onto or place objects on top of the outdoor unit.
- Do not allow the air conditioner to operate for long periods of time with doors or windows open, or if the humidity is very high.

ELECTRICAL WARNINGS

- Only use the specified power cord. If the power cord is damaged, it must be replaced by the manufacturer, its service agent or similarly qualified persons in order to avoid a hazard.
- Keep power plug clean. Remove any dust or grime that accumulates on or around the plug. Dirty plugs can cause fire or electric shock.
- Do not pull power cord to unplug unit. Hold the plug firmly and pull it from the outlet. Pulling directly on the cord can damage it, which can lead to fire or electric shock.
- Do not modify the length of the power supply cord or use an extension cord to power the unit.
- Do not share the electrical outlet with other appliances. Improper or insufficient power supply can cause fire or electrical shock.
- The product must be properly grounded at the time of installation, or electrical shock may occur.
- For all electrical work, follow all local and national wiring standards, regulations, and the Installation Manual. Connect cables tightly, and clamp them securely to prevent external forces from damaging the terminal. Improper electrical connections can overheat and cause fire, and may also cause shock. All electrical connections must be made according to the Electrical Connection Diagram located on the panels of the indoor and outdoor units.
- All wiring must be properly arranged to ensure that the control board cover can close properly. If the control board cover is not closed properly, it can lead to corrosion and cause the connection points on the terminal to heat up, catch fire, or cause electrical shock.
- If connecting power to fixed wiring, an all-pole disconnection device which has at least 3mm clearances in all poles, and have a leakage current that may exceed 10mA, the residual current device(RCD) having a rated residual operating current not exceeding 30mA, and disconnection must be incorporated in the fixed wiring in accordance with the wiring rules.

TAKE NOTE OF FUSE SPECIFICATIONS

The air conditioner's circuit board (PCB) is designed with a fuse to provide overcurrent protection. The specifications of the fuse are printed on the circuit board ,such as :

T3.15A/250VAC, T5A/250VAC, T10A/250VAC, T20A/250VAC, T30A/250VAC, etc.

NOTE: For the units with R32 or R290 refrigerant , only the blast-proof ceramic fuse can be used.



WARNINGS FOR PRODUCT INSTALLATION

1. Installation must be performed by an authorized dealer or specialist. Defective installation can cause water leakage, electrical shock, or fire.
2. Installation must be performed according to the installation instructions. Improper installation can cause water leakage, electrical shock, or fire.
(In North America, installation must be performed in accordance with the requirement of NEC and CEC by authorized personnel only.)
3. Contact an authorized service technician for repair or maintenance of this unit. This appliance shall be installed in accordance with national wiring regulations.
4. Only use the included accessories, parts, and specified parts for installation. Using non-standard parts can cause water leakage, electrical shock, fire, and can cause the unit to fail.
5. Install the unit in a firm location that can support the unit's weight. If the chosen location cannot support the unit's weight, or the installation is not done properly, the unit may drop and cause serious injury and damage.
6. Install drainage piping according to the instructions in this manual. Improper drainage may cause water damage to your home and property.
7. For units that have an auxiliary electric heater, do not install the unit within 1 meter (3 feet) of any combustible materials.
8. Do not install the unit in a location that may be exposed to combustible gas leaks. If combustible gas accumulates around the unit, it may cause fire.
9. Do not turn on the power until all work has been completed.
10. When moving or relocating the air conditioner, consult experienced service technicians for disconnection and reinstallation of the unit.
11. How to install the appliance to its support, please read the information for details in "indoor unit installation" and "outdoor unit installation" sections .

Note about Fluorinated Gasses(Not applicable to the unit using R290 Refrigerant)

1. This air-conditioning unit contains fluorinated greenhouse gasses. For specific information on the type of gas and the amount, please refer to the relevant label on the unit itself or the "Owner's Manual - Product Fiche " in the packaging of the outdoor unit. (European Union products only).
2. Installation, service, maintenance and repair of this unit must be performed by a certified technician.
3. Product uninstallation and recycling must be performed by a certified technician.
4. For equipment that contains fluorinated greenhouse gases in quantities of 5 tonnes of CO₂ equivalent or more, but of less than 50 tonnes of CO₂ equivalent, If the system has a leak-detection system installed, it must be checked for leaks at least every 24 months.
5. When the unit is checked for leaks, proper record-keeping of all checks is strongly recommended.

WARNING for Using R32/R290 Refrigerant

- When flammable refrigerant are employed, appliance shall be stored in a well -ventilated area where the room size corresponds to the room area as specific for operation.

For R32 frigerant models:

Appliance shall be installed, operated and stored in a room with a floor area larger than X m².

Appliance shall not be installed in an unventilated space, if that space is smaller than X m²

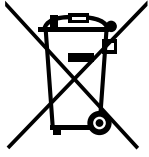
(Please see the following form).

Model (Btu/h)	Minimum room area (m ²)
≤18000	18

- Reusable mechanical connectors and flared joints are not allowed indoors. (EN Standard Requirements).
- Mechanical connectors used indoors shall have a rate of not more than 3g/year at 25% of the maximum allowable pressure. When mechanical connectors are reused indoors, sealing parts shall be renewed. When flared joints are reused indoors, the flare part shall be re-fabricated. (UL Standard Requirements)
- When mechanical connectors are reused indoors, sealing parts shall be renewed. When flared joints are reused indoors, the flare part shall be re-fabricated. (IEC Standard Requirements)
- Mechanical connectors used indoors shall comply with ISO 14903.

European Disposal Guidelines

This marking shown on the product or its literature, indicates that waste electrical and electrical equipment should not be mixed with general household waste.



Correct Disposal of This Product
(Waste Electrical & Electronic Equipment)

This appliance contains refrigerant and other potentially hazardous materials. When disposing of this appliance, the law requires special collection and treatment. Do not dispose of this product as household waste or unsorted municipal waste.

When disposing of this appliance, you have the following options:

- Dispose of the appliance at designated municipal electronic waste collection facility.
- When buying a new appliance, the retailer will take back the old appliance free of charge.
- The manufacturer will take back the old appliance free of charge.
- Sell the appliance to certified scrap metal dealers.

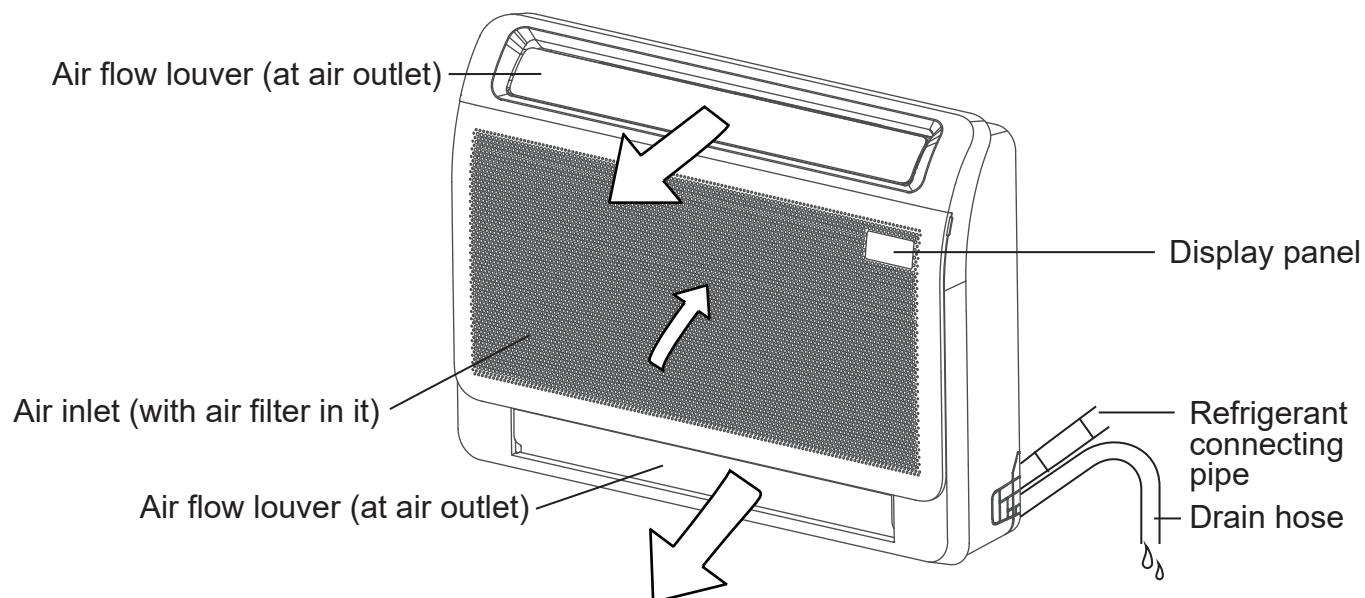
Special notice

Disposing of this appliance in the forest or other natural surroundings endangers your health and is bad for the environment. Hazardous substances may leak into the ground water and enter the food chain.

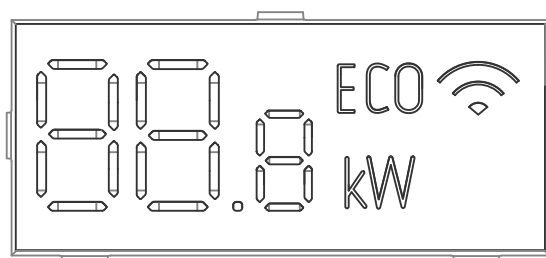
Unit Specifications and Features


Indoor unit display

NOTE: This display panel on the indoor unit can be used to operate the unit in case the remote control has been misplaced or is out of batteries.



Display panel



- **88.8** Displays temperature and Error codes:
 - "dF" when defrosting (for model B cooling & heating units)
 - "01" for 3 seconds when:
 - TIMER ON is set
 - SWING or SILENCE is turned on
 - "0F" for 3 seconds when:
 - TIMER OFF is set
 - SWING or SILENCE is turned off
 - "CL" when unit is self-cleaning
 - "FP" when 8°C heating feature is turned on
- **ECO** When ECO function (some units) is activated.
-  when Wireless Control feature is activated (some units)

Operating temperature

When your air conditioner is used outside of the following temperature ranges, certain safety protection features may activate and cause the unit to disable.

Inverter Split Type

	COOL mode	HEAT mode	DRY mode
Room Temperature	16°C - 32°C (60°F - 90°F)	0°C - 30°C (32°F - 86°F)	10°C - 32°C (50°F - 90°F)
Outdoor Temperature	0°C - 50°C (32°F - 122°F)	-15°C - 24°C (5°F - 75°F)	0°C - 50°C (32°F - 122°F)
	-15°C - 50°C (5°F - 122°F)		

NOTE: Room relative humidity less than 80%. If the air conditioner operates in excess of this figure, the surface of the air conditioner may attract condensation. Please sets the vertical air flow louver to its maximum angle (vertically to the floor), and set HIGH fan mode.

To further optimize the performance of your unit, do the following:

- Keep doors and windows closed.
- Limit energy usage by using TIMER ON and TIMER OFF functions.
- Do not block air inlets or outlets.
- Regularly inspect and clean air filters.

Features

Default Setting

When the air conditioner restarts after a power failure, it will default to the factory settings (AUTO mode, AUTO fan, 24°C (76°F)). This may cause inconsistencies on the remote control and unit panel. Use your remote control to update the status.

Auto-Restart

In case of power failure, the system will immediately stop. When power returns, the Operation light on the indoor unit will flash. To restart the unit, press the ON/OFF button on the remote control. If the system has an auto restart function, the unit will restart using the same settings.

When the outdoor temperature is below zero, the electric heating belt of the outdoor unit chassis is used for ice melting, without defrosting. (some models)

Louver Angle Memory Function

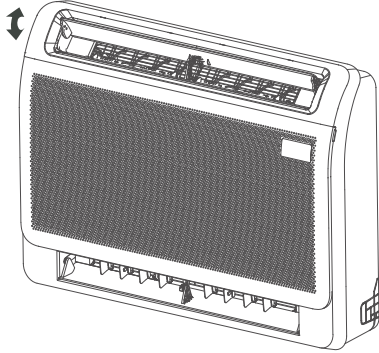
Some models are designed with a louver angle memory function. When the unit restarts after a power failure, the angle of the horizontal louvers will automatically return to the previous position. The angle of the horizontal louver should not be set too small as condensation may form and drip into the machine. To reset the louver, press the manual button, which will reset the horizontal louver settings.

Refrigerant Leak Detection System

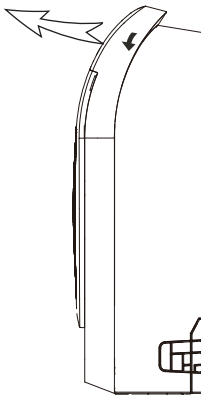
The indoor unit will automatically display "EC" or "EL0C" or flash LEDs (model dependent) when it detects refrigerant leakage.

Adjusting Air Flow Direction

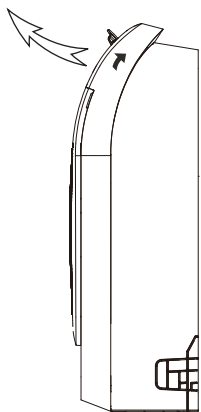
- **Manual Swing:** Press Air Direction to fix the louver at a desired angle. The louver swings (upward or downward) at a different angle with each press of the button. The air direction can be changed by manually adjusting air louver.




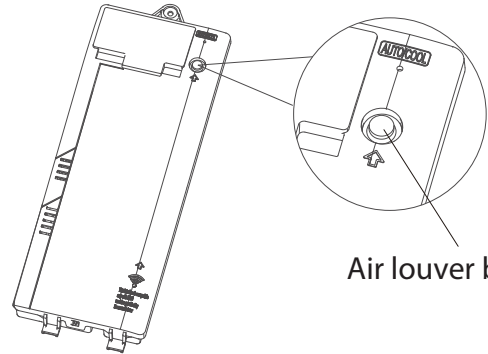
- **When cooling**
Adjust the louver downwards (horizontally).



- **When heating**
Adjust the louver vertically.



- **Lower air louver switch setting**
Under the condition of meeting the ambient temperature, the lower air louver can be opened when the unit is turned on. To select whether the lower air louver is on or off, use the button on the electric control box. Within 10 minutes of power-on, press  it for 5 seconds to enter the mode in standby state. Press it to open or close the lower air louver.



Air louver button

Electric control box

NOTE: During the setting process, the display panel displays the switch status of the lower air louver.

on - open
of - closed

CAUTION

Do not try to adjust the horizontal louver by hand. This may cause damage the mechanism and result in condensation forming on the air outlets.

Care and Maintenance

Cleaning Your Indoor Unit



BEFORE CLEANING OR MAINTENANCE

ALWAYS TURN OFF YOUR AIR CONDITIONER SYSTEM AND DISCONNECT ITS POWER SUPPLY BEFORE CLEANING OR MAINTENANCE.



CAUTION

Only use a soft, dry cloth to wipe the unit clean. If the unit is especially dirty, you can use a cloth soaked in warm water to wipe it clean.

- Do not use chemicals or chemically treated cloths to clean the unit
- Do not use benzene, paint thinner, polishing powder or other solvents to clean the unit. They can cause the plastic surface to crack or deform.
- Do not use water hotter than 40°C (104°F) to clean the front panel. This can cause the panel to deform or become discolored.

Cleaning Your Air Filter

A clogged air conditioner can reduce the cooling efficiency of your unit, and can also be bad for your health. Make sure to clean the filter once every two weeks.

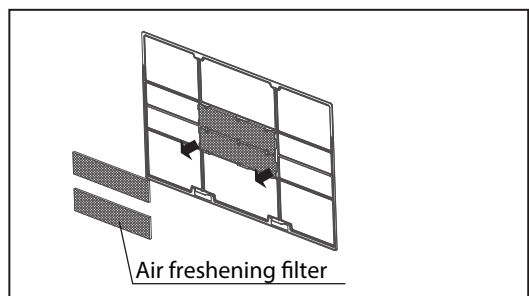
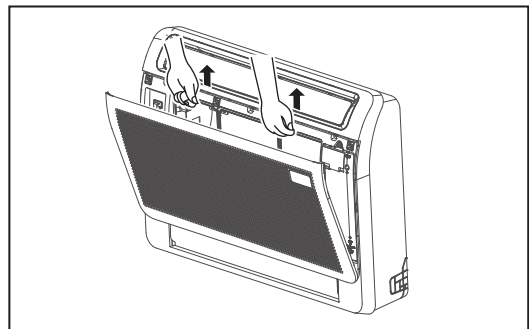
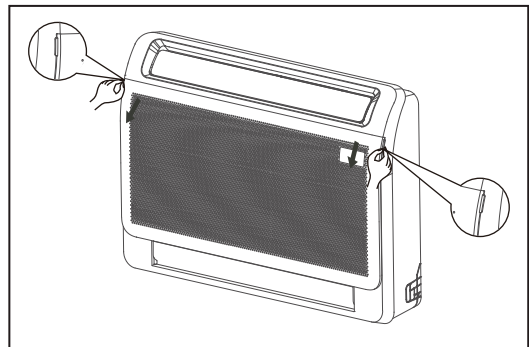


WARNING: DO NOT REMOVE OR CLEAN THE FILTER BY YOURSELF

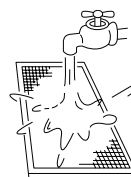
Removing and cleaning the filter can be dangerous. Removal and maintenance must be performed by a certified technician.

1. Pull the left and right handles of the front panel, pull the panel outward, and open the panel.
2. Remove the air filter.
Press the claws on the right and left sides of the air filter down slightly, then pull upward.
3. Hold the tabs of the frame, and remove the 4 claws. (The special function filter can be washed with water once every 6 months. It is recommended that you replace it once every 3 years.)

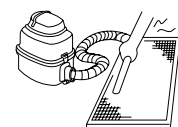
4. Clean the air filter by vacuuming the surface or washing it in warm water with mild detergent.
5. Rinse the filter with clean water and allow it to air-dry. **DO NOT** let the filter dry in direct sunlight.
6. Reinstall the filter.



If using water, the inlet side should face down and away from the water stream.



If using a vacuum cleaner, the inlet side should face the vacuum.

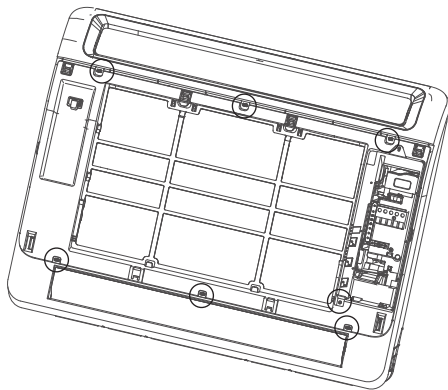


⚠ CAUTION

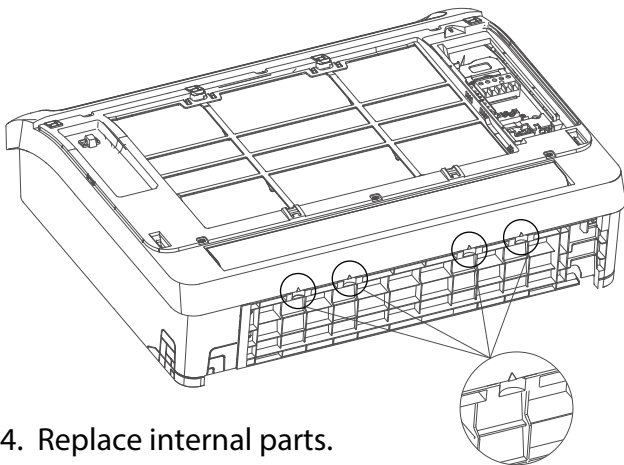
- Before changing the filter or cleaning, turn off the unit and disconnect its power supply.
- When removing filter, do not touch metal parts in the unit. The sharp metal edges can cut you.
- Do not use water to clean the inside of the indoor unit. This can destroy insulation and cause electrical shock.
- Do not expose filter to direct sunlight when drying. This can shrink the filter.
- Any maintenance and cleaning of outdoor unit should be performed by an authorized dealer or a licensed service provider.
- Any unit repairs should be performed by an authorized dealer or a licensed service provider.

Replace internal parts

1. Pull the left and right handles of the front panel, pull the panel outward, and open the panel.
2. Remove the 7 screws on the face frame.



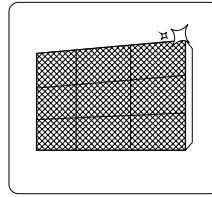
3. Buckle up the snap indicated by the arrow and remove the face frame.



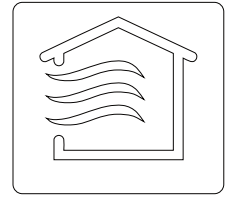
4. Replace internal parts.
5. Install the face frame and panel parts.

Maintenance – Long Periods of Non-Use

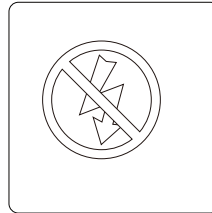
If you plan not to use your air conditioner for an extended period of time, do the following:



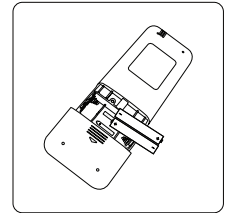
Clean all filters



Turn on FAN function until unit dries out completely



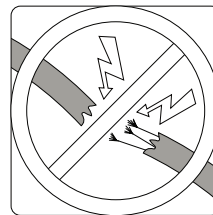
Turn off the unit and disconnect the power



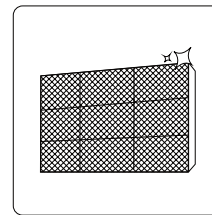
Remove batteries from remote control

Maintenance – Pre-Season Inspection

After long periods of non-use, or before periods of frequent use, do the following:



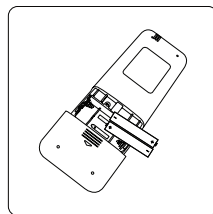
Check for damaged wires



Clean all filters



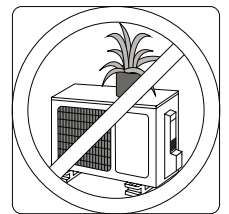
Check for leaks



Replace batteries



Make sure nothing is blocking all air inlets and outlets



NOTE: Do not stretch or hang objects at the air outlet.
Do not adjust the automatic air deflector by hand or extend your hand into the air duct.
Do not cover the air inlet and outlet of the unit with objects.

Troubleshooting

SAFETY PRECAUTIONS

If any of the following conditions occurs, turn off your unit immediately!

- The power cord is damaged or abnormally warm
- You smell a burning odor
- The unit emits loud or abnormal sounds
- A power fuse blows or the circuit breaker frequently trips
- Water or other objects fall into or out of the unit

DO NOT ATTEMPT TO FIX THESE YOURSELF! CONTACT AN AUTHORIZED SERVICE PROVIDER IMMEDIATELY!

Common Issues

The following problems are not a malfunction and in most situations will not require repairs.

Issue	Possible Causes
Unit does not turn on when pressing ON/OFF button	<p>The Unit has a 3-minute protection feature that prevents the unit from overloading. The unit cannot be restarted within three minutes of being turned off.</p> <p>Cooling and Heating Models: If the Operation light and PRE-DEF (Pre-heating/Defrost) indicators are lit up, or the Operation light is lit up and the LCD screen display "dF", the outdoor temperature is too cold and the unit's anti-cold wind is activated in order to defrost the unit.</p>
The unit changes from COOL mode to FAN mode	<p>The unit may change its setting to prevent frost from forming on the unit. Once the temperature increases, the unit will start operating in the previously selected mode again.</p> <p>The set temperature has been reached, at which point the unit turns off the compressor. The unit will continue operating when the temperature fluctuates again.</p>
The indoor unit emits white mist	<p>In humid regions, a large temperature difference between the room's air and the conditioned air can cause white mist.</p>
Both the indoor and outdoor units emit white mist	<p>When the unit restarts in HEAT mode after defrosting, white mist may be emitted due to moisture generated from the defrosting process.</p>
The indoor unit makes noises	<p>A squeaking sound is heard when the system is OFF or in COOL mode. The noise is also heard when the drain pump (optional) is in operation.</p> <p>A squeaking sound may occur after running the unit in HEAT mode due to expansion and contraction of the unit's plastic parts.</p>
Both the indoor unit and outdoor unit make noises	<p>Low hissing sound during operation: This is normal and is caused by refrigerant gas flowing through both indoor and outdoor units.</p> <p>Low hissing sound when the system starts, has just stopped running, or is defrosting: This noise is normal and is caused by the refrigerant gas stopping or changing direction.</p> <p>Squeaking sound: Normal expansion and contraction of plastic and metal parts caused by temperature changes during operation can cause squeaking noises.</p>

Issue	Possible Causes
The outdoor unit makes noises	The unit will make different sounds based on its current operating mode.
Dust is emitted from either the indoor or outdoor unit	The unit may accumulate dust during extended periods of non-use, which will be emitted when the unit is turned on. This can be mitigated by covering the unit during long periods of inactivity.
The unit emits a bad odor	The unit may absorb odors from the environment (such as furniture, cooking, cigarettes, etc.) which will be emitted during operations.
	The unit's filters have become moldy and should be cleaned.
The fan of the outdoor unit does not operate	During operation, the fan speed is controlled to optimize product operation.

NOTE: If problem persists, contact a local dealer or your nearest customer service center. Provide them with a detailed description of the unit malfunction as well as your model number.

Troubleshooting

When troubles occur, please check the following points before contacting a repair company.

Problem	Possible Causes	Solution
Poor Cooling Performance	Temperature setting may be higher than ambient room temperature	Lower the temperature setting
	The heat exchanger on the indoor or outdoor unit is dirty	Clean the affected heat exchanger
	The air filter is dirty	Remove the filter and clean it according to instructions
	The air inlet or outlet of either unit is blocked	Turn the unit off, remove the obstruction and turn it back on
	Doors and windows are open	Make sure that all doors and windows are closed while operating the unit
	Excessive heat is generated by sunlight	Close windows and curtains during periods of high heat or bright sunshine
	Too many sources of heat in the room (people, computers, electronics, etc.)	Reduce amount of heat sources
	Low refrigerant due to leak or long-term use	Check for leaks, re-seal if necessary and top off refrigerant


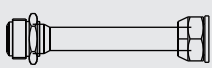
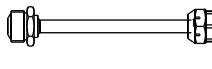
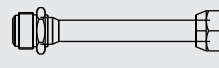

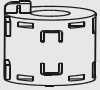
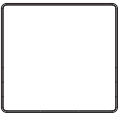
Problem	Possible Causes	Solution
The unit is not working	Power failure	Wait for the power to be restored
	The power is turned off	Turn on the power
	The fuse is burned out	Replace the fuse
	Remote control batteries are dead	Replace batteries
	The Unit's 3-minute protection has been activated	Wait three minutes after restarting the unit
	Timer is activated	Turn timer off
The unit starts and stops frequently	There's too much or too little refrigerant in the system	Check for leaks and recharge the system with refrigerant.
	Incompressible gas or moisture has entered the system.	Evacuate and recharge the system with refrigerant
	System circuit is blocked	Determine which circuit is blocked and replace the malfunctioning piece of equipment
	The compressor is broken	Replace the compressor
	The voltage is too high or too low	Install a manostat to regulate the voltage
Poor heating performance	The outdoor temperature is extremely low	Use auxiliary heating device
	Cold air is entering through doors and windows	Make sure that all doors and windows are closed during use
	Low refrigerant due to leak or long-term use	Check for leaks, re-seal if necessary and top off refrigerant
Indicator lamps continue flashing	The unit may stop operation or continue to run safely. If the indicator lamps continue to flash or error codes appear, wait for about 10 minutes. The problem may resolve itself. If not, disconnect the power, then connect it again. Turn the unit on. If the problem persists, disconnect the power and contact your nearest customer service center.	
Error code appears and begins with the letters as the following in the window display of indoor unit:		
• E(x), P(x), F(x)		
• EH(xx), EL(xx), EC(xx)		
• PH(xx), PL(xx), PC(xx)		


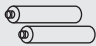
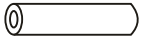
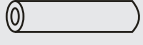

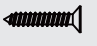



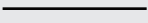

NOTE: If your problem persists after performing the checks and diagnostics above, turn off your unit immediately and contact an authorized service center.

Accessories

The air conditioning system comes with the following accessories. Use all of the installation parts and accessories to install the air conditioner. Improper installation may result in water leakage, electrical shock and fire, or cause the equipment to fail. The items are not included with the air conditioner must be purchased separately.

Accessories

Name of Accessories	Q'ty(pc)	Shape
Manual	2~4	
Transfer connector (Φ 12.7-Φ 15.9) (some models)	1	
Transfer connector (Φ 6.35-Φ 9.52) (some models)	1	
Transfer connector (Φ 9.52-Φ 12.7) (some models)	1	
Magnetic ring (wrap the electric wires S1 & S2 (P & Q & E) around the magnetic ring twice) (some models)	1	 S1&S2(P&Q&E)
Magnetic ring (Hitch it on the connective cable between indoor unit and outdoor unit after installation.) (some models)	1	
Wired remote controller (some models)	1	

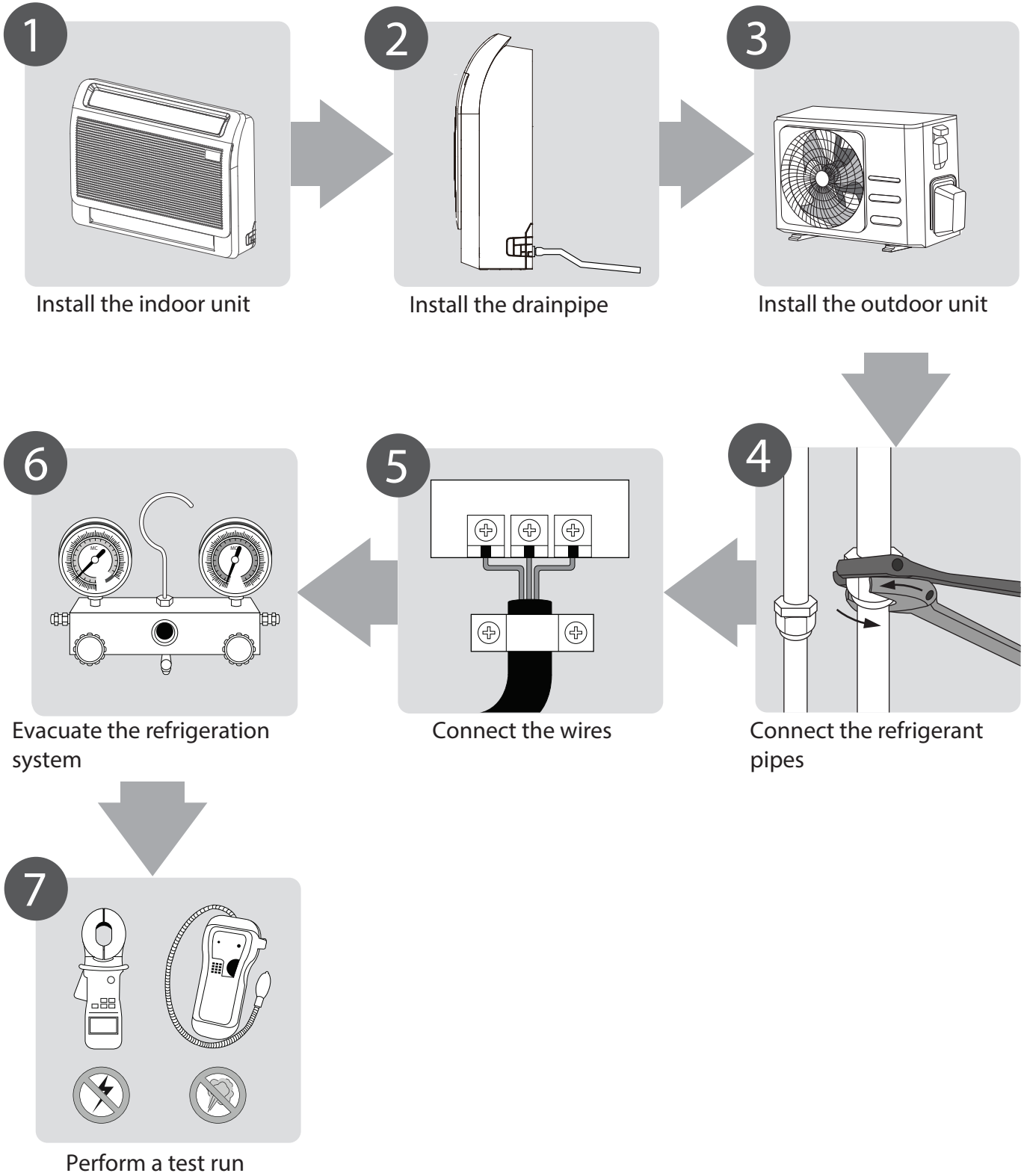
Name of Accessories	Q'ty(pc)	Shape
Remote controller (some models)	1	
Battery (some models)	2	
Soundproof / insulation sheath (some models)	2	
Heat insulation pipe	1	
Anchor	6 (depending on models)	
Mounting plate fixing screw	6 (depending on models)	
Drain joint (some models)	1	
Seal ring (some models)	1	
Copper nut	2	
Red short connected wire (some models)	1	
Air freshening filter (some models)	2	

Optional accessories

- There are two types of remote controls: wired and wireless. Select a remote controller based on customer preferences and requirements and install in an appropriate place. Refer to catalogues and technical literature for guidance on selecting a suitable remote controller.

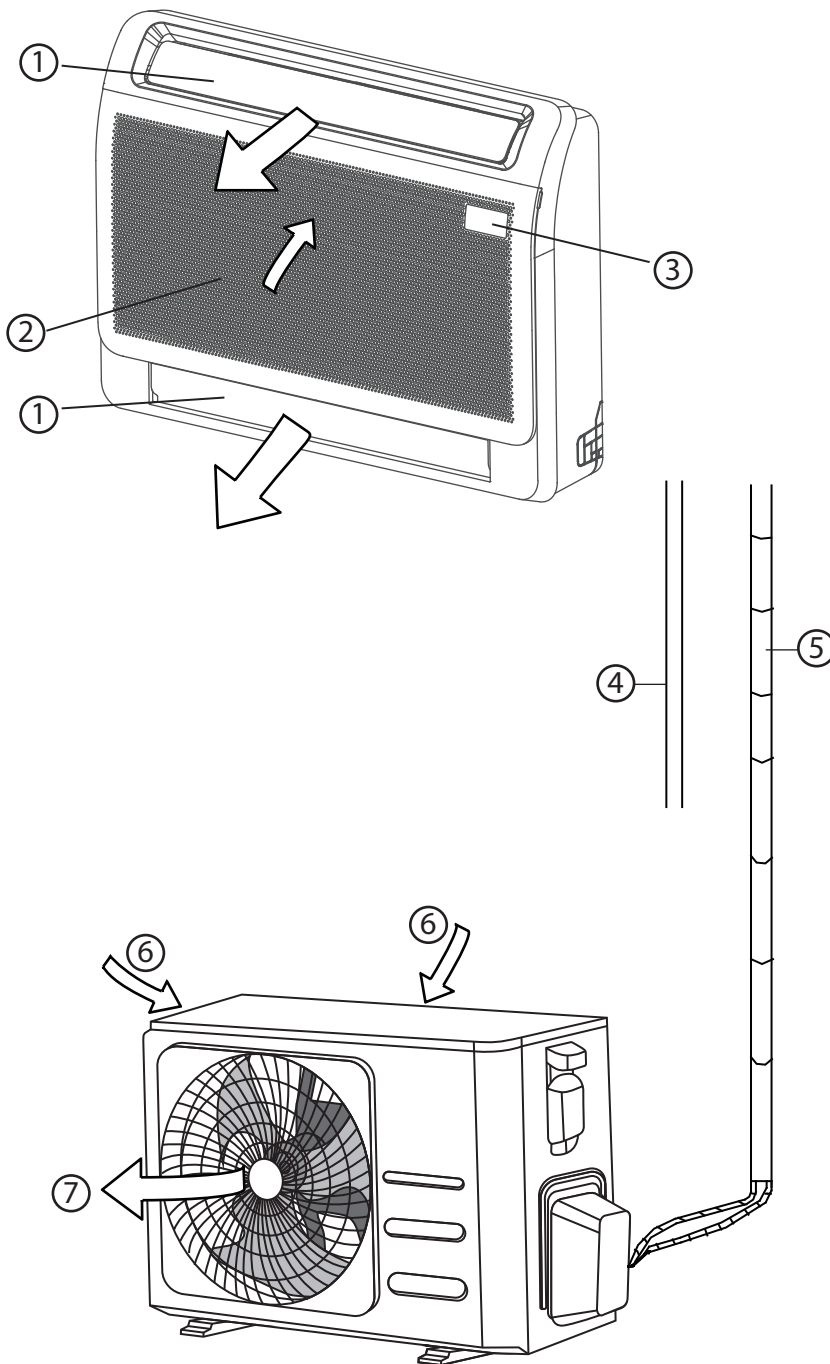
Name	Shape	Quantity(PC)
Connecting pipe assembly	Liquid side	Φ 6.35(1/4in)
		Φ 9.52(3/8in)
		Φ 12.7(1/2in)
	Gas side	Φ 9.52(3/8in)
		Φ 12.7(1/2in)
		Φ 16(5/8in)
		Φ 19(3/4in)
	Φ 22(7/8in)	
		Parts you must purchase separately. Consult the dealer about the proper pipe size of the unit you purchased.

Installation Summary



Unit Parts

NOTE: The installation must be performed in accordance with the requirement of local and national standards. The installation may be slightly different in different areas.



- ① Air flow louver (at air outlet)
- ② Air inlet (with air filter in it)
- ③ Display panel
- ④ Drain pipe

- ⑤ Connecting pipe
- ⑥ Air inlet
- ⑦ Air outlet

NOTE ON ILLUSTRATIONS

- The piping can be connected from the left, right, rear and lower sides of the unit. Please select the piping method according to the actual demand.
- Illustrations in this manual are for explanatory purposes. The actual shape of your indoor unit may be slightly different. The actual shape shall prevail.

Indoor Unit Installation

Installation Instructions – Indoor unit

NOTE: Panel installation should be performed after piping and wiring have been completed.

Step 1: Select installation location

Before installing the indoor unit, you must choose an appropriate location. The following are standards that will help you choose an appropriate location for the unit.

Proper installation locations meet the following standards:

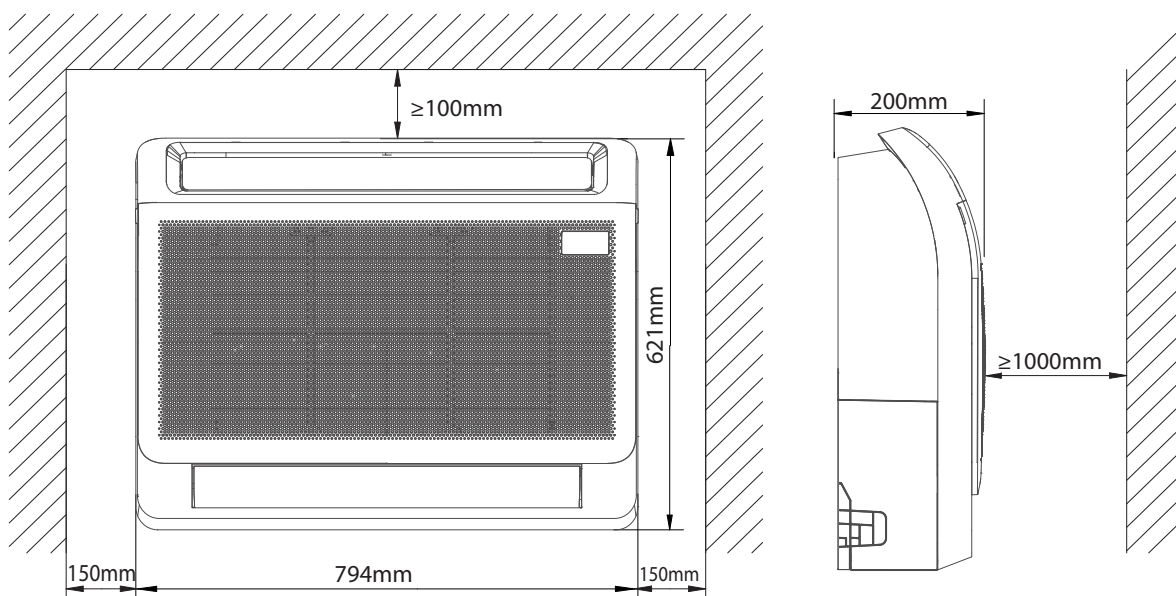
- ☑ Enough room exists for installation and maintenance.
- ☑ Enough room exists for the connecting the pipe and drainpipe.
- ☑ The ceiling is horizontal and its structure can sustain the weight of the indoor unit.
- ☑ The air inlet and outlet are not blocked.
- ☑ The airflow can fill the entire room.
- ☑ There is no direct radiation from heaters.

DO NOT install unit in the following locations:

- ⊘ Areas with oil drilling or fracking
- ⊘ Coastal areas with high salt content in the air
- ⊘ Areas with caustic gases in the air, such as hot springs
- ⊘ Areas that experience power fluctuations, such as factories
- ⊘ Enclosed spaces, such as cabinets
- ⊘ Kitchens that use natural gas
- ⊘ Areas with strong electromagnetic waves
- ⊘ Areas that store flammable materials or gas
- ⊘ Rooms with high humidity, such as bathrooms or laundry rooms

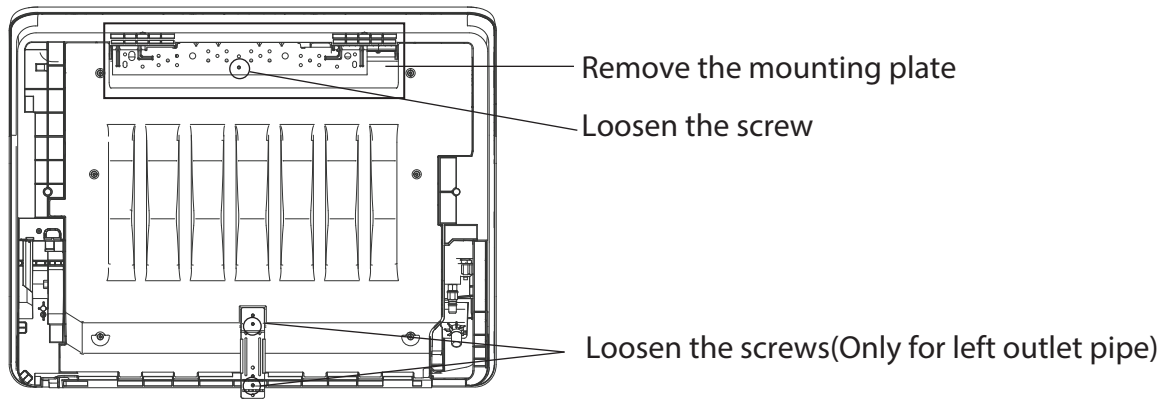
Recommended distances between the indoor unit

The distance between the mounted indoor unit should meet the specifications illustrated in the following diagram.



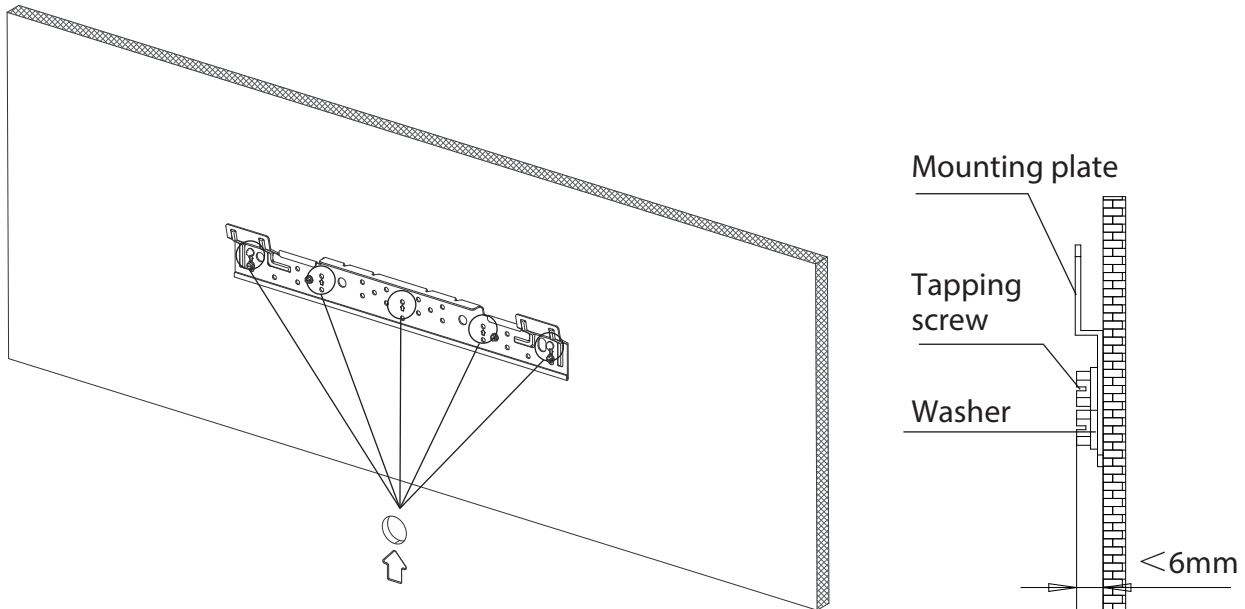
Step 2: Installing the main body

- After loosening the screws, remove the mounting plate from the unit.



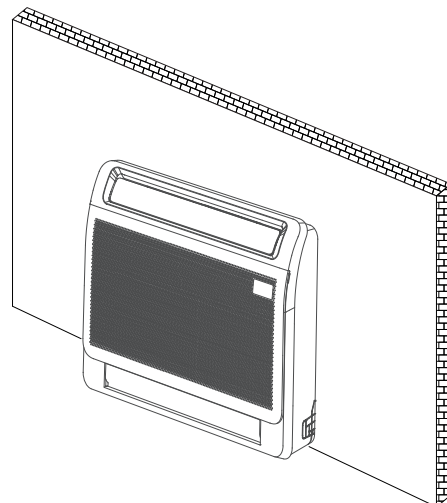
NOTE: If the pipe comes out on the left, it is necessary to loosen the screws on the bottom mounting plate. If the pipe comes out in other directions, it is not necessary.

- Fix the mounting plate with a tapping screw onto the wall.
NOTE: It is recommended to fix it on the wall according to the hanging hole indicated by the arrow on the mounting plate. Mounting plate must be installed horizontally.



- Hang the indoor unit on the mounting plate.
(The bottom of body can touch the floor or remain suspended, but the body must be installed vertically.)

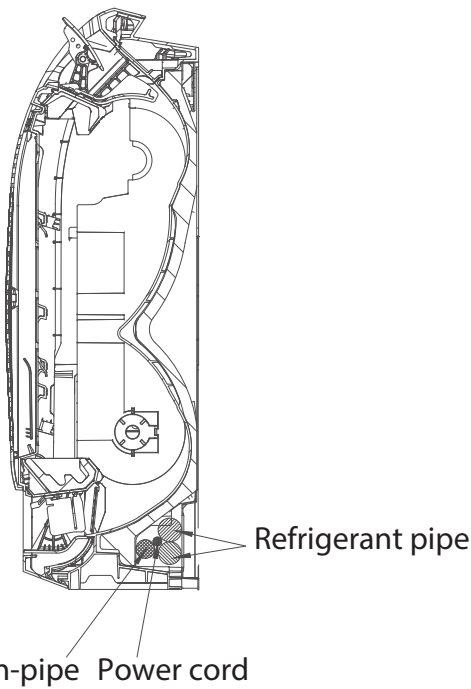
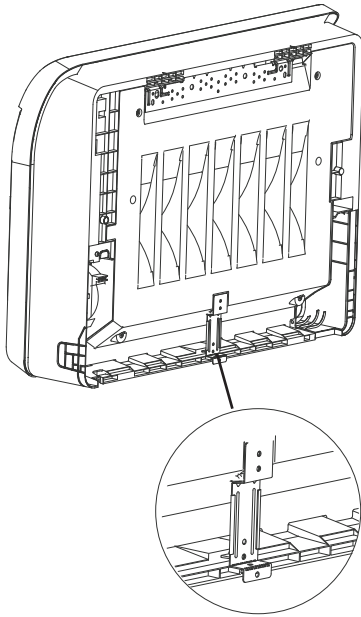
NOTE: After installation, the unit shall be kept horizontal without tilting.



- Bottom mounting plate installation

Installation without skirting

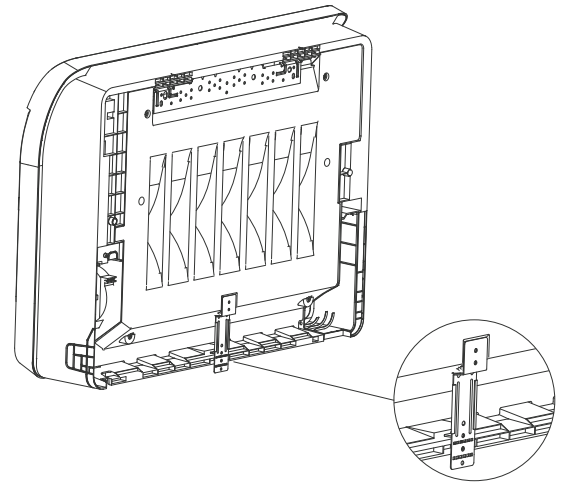
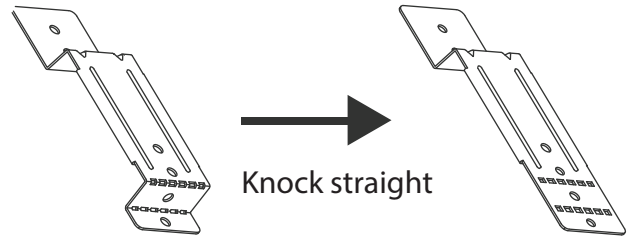
The bottom mounting plate is fixed directly to the wall.



NOTE: In order to drain smoothly, the position of the drain pipe must refer to the above figure when discharging the right pipe.

Installation with skirting line

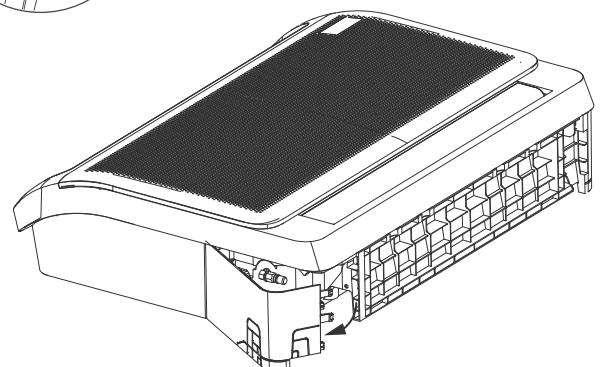
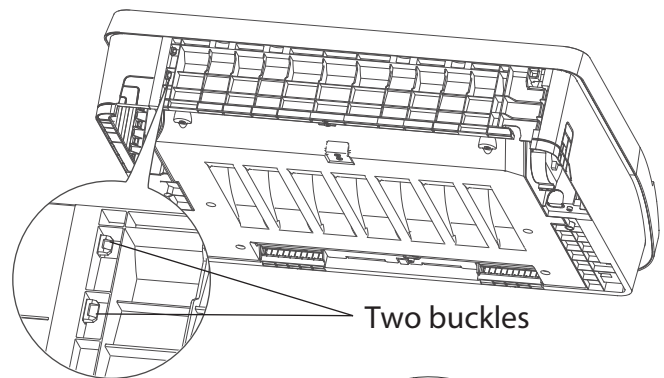
Knock the bottom mounting plate straight with a tool and fix it on the skirting line.



Step 3: Taking the indoor unit apart to connect the pipes

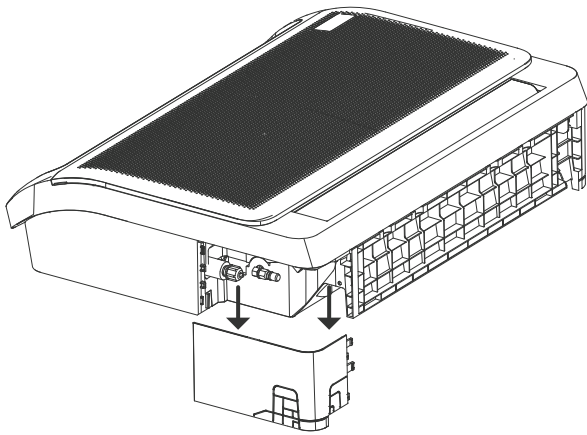
1. Open the bottom piping cover plate

Press and hold the bottom two buckles, and then rotate to open the piping cover plate.



2. Remove the cover plate.

Remove the pipe cover plate and install the internal and external connecting pipes.



NOTE: Install small-size piping first, and then large-size piping.

NOTE: All the figures in this manual are for demonstration purposes only. The air conditioner you have purchased may be slightly different in design, though similar in shape.

Step 4: Network address set (some models)

(Only for the case of optional multi-function board with XYE interface.)

Every air-conditioner in network has only one network address to distinguish each other. Address code of air-conditioner in LAN is set by code switches F1 & ENC3 on the multifunction board of the indoor unit, and the set range is 0-63. (Optional multi-function board)

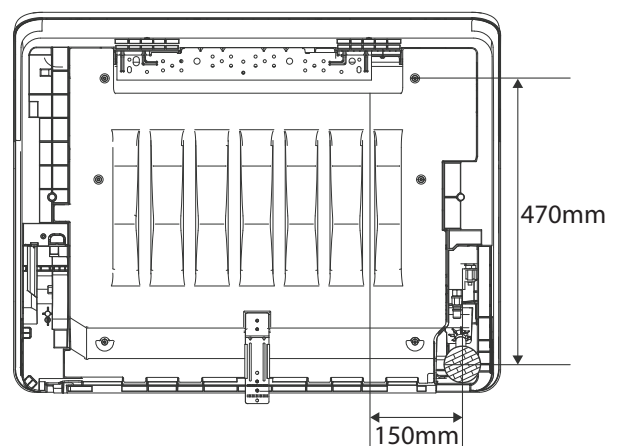
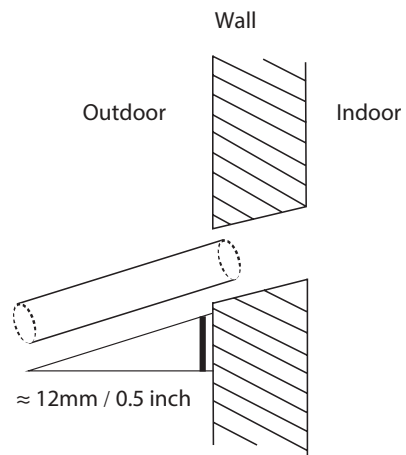
Toggle switch set			Network address code
F1	ENC3		
		~	00~15
		~	16~31
		~	32~47
		~	48-63

Step 5: Drill wall hole for connective piping

1. Determine the location of the wall hole based on the location of the outdoor unit.
2. Using a 65mm (2.5in) or 90mm(3.54in) (depending on models) core drill, drill a hole in the wall. Make sure that the hole is drilled at a slight downward angle, so that the outdoor end of the hole is lower than the indoor end by about 12mm (0.5in). This will ensure proper water drainage.
3. Place the protective wall cuff in the hole. This protects the edges of the hole and will help seal it when you finish the installation process.

CAUTION

When drilling the wall hole, make sure to avoid wires, plumbing, and other sensitive



Recommended position and size of back outlet pipe through wall hole

Step 6: Connect drain hose

The drainpipe is used to drain water away from the unit. Improper installation may cause unit and property damage.

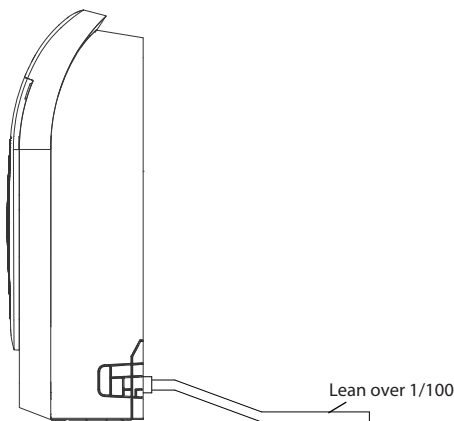
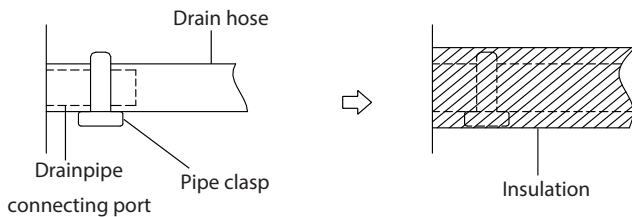
⚠ CAUTION

- Insulate all piping to prevent condensation, which could lead to water damage.
- If the drainpipe is bent or installed incorrectly, water may leak and cause a water-level switch malfunction.
- In HEAT mode, the outdoor unit will discharge water. Ensure that the drain hose is placed in an appropriate area to avoid water damage and slippage.
- **DO NOT** pull the drainpipe forcefully. This could disconnect it.

NOTE ON PURCHASING PIPES

Installation requires a polyethylene tube (exterior diameter = 3.7-3.9cm, interior diameter = 3.2cm), which can be obtained at your local hardware store or dealer.

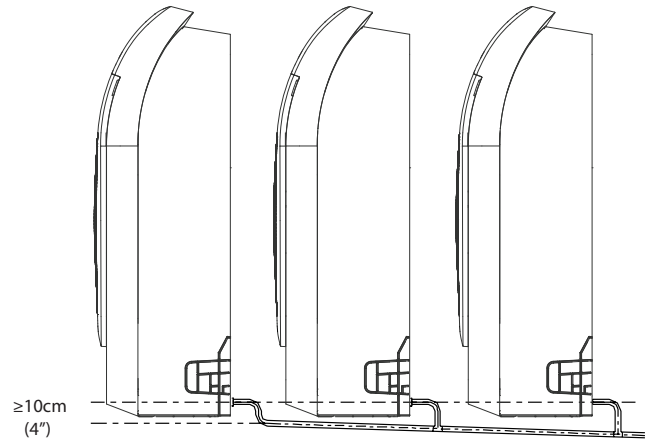
1. Cover the drainpipe with heat insulation to prevent condensation and leakage.
2. Attach the mouth of the drain hose to the unit's outlet pipe. Sheath the mouth of the hose and clip it firmly with a pipe clasp.



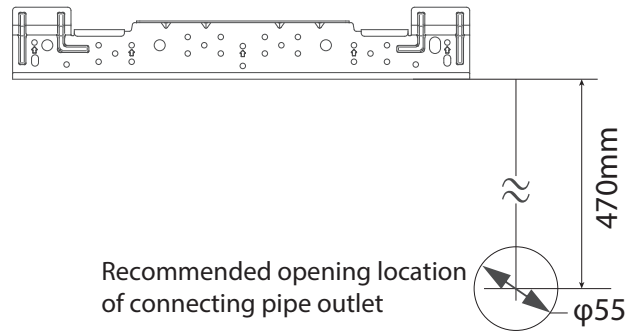
NOTE ON DRAINPIPE INSTALLATION

- When using an extended drainpipe, tighten the indoor connection with an additional protection tube. This prevents it from pulling loose.
- The drainpipe should slope downward at a gradient of at least 1/100 to prevent water from flowing back into the air conditioner.
- Incorrect installation could cause water to flow back into the unit and flood.

NOTE: When connecting multiple drainpipes, install the pipes as illustrated.

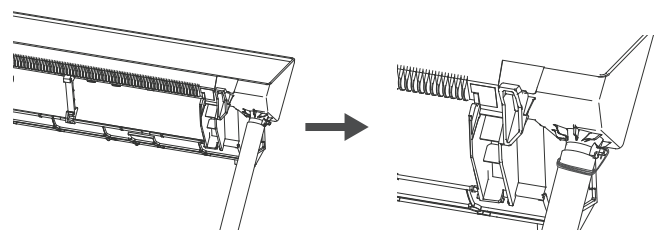


In order to ensure smooth drainage, the height difference between the wall outlet and the hanging plate must be greater than 470mm.



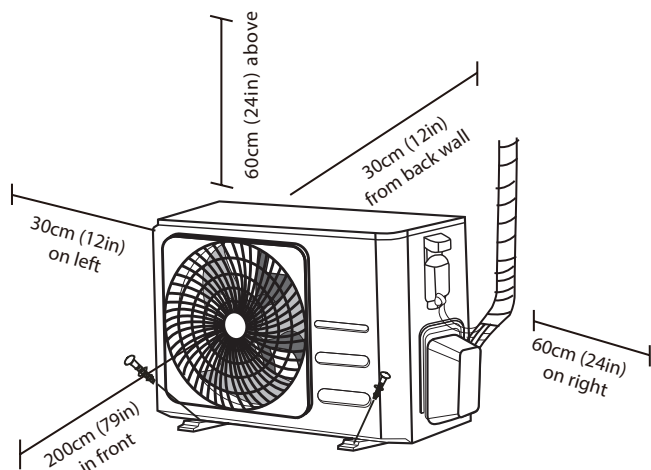
Drainage pipe fixing requirements

When installing the drainage pipe (not provided), please fix it with a tie or rope.



Outdoor Unit Installation

Install the unit by following local codes and regulations, there may be differ slightly between different regions.



Installation Instructions – Outdoor unit

Step 1: Select installation location

Before installing the outdoor unit, you must choose an appropriate location. The following are standards that will help you choose an appropriate location for the unit.

Proper installation locations meet the following standards:

- Meets all spatial requirements shown in Installation Space Requirements above.
- Good air circulation and ventilation
- Firm and solid—the location can support the unit and will not vibrate
- Noise from the unit will not disturb others
- Protected from prolonged periods of direct sunlight or rain
- Where snowfall is anticipated, take appropriate measures to prevent ice buildup and coil damage.

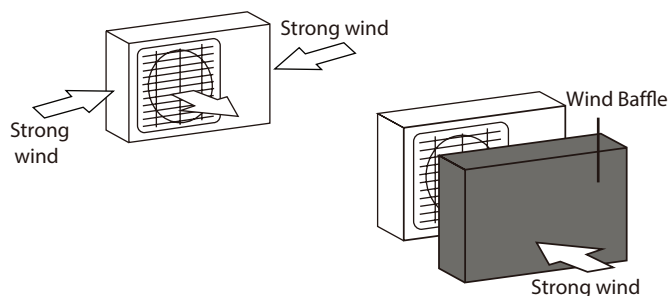
DO NOT install unit in the following locations:

- Near an obstacle that will block air inlets and outlets
- Near a public street, crowded areas, or where noise from the unit will disturb others
- Near animals or plants that will be harmed by hot air discharge
- Near any source of combustible gas
- In a location that is exposed to large amounts of dust
- In a location exposed to a excessive amounts of salty air

SPECIAL CONSIDERATIONS FOR EXTREME WEATHER

If the unit is exposed to heavy wind:

Install unit so that air outlet fan is at a 90° angle to the direction of the wind. If needed, build a barrier in front of the unit to protect it from extremely heavy winds. See Figures below.



If the unit is frequently exposed to heavy rain or snow:

Build a shelter above the unit to protect it from the rain or snow. Be careful not to obstruct air flow around the unit.

If the unit is frequently exposed to salty air (seaside):

Use outdoor unit that is specially designed to resist corrosion.

Step 2: Install drain joint(Heat pump unit only)

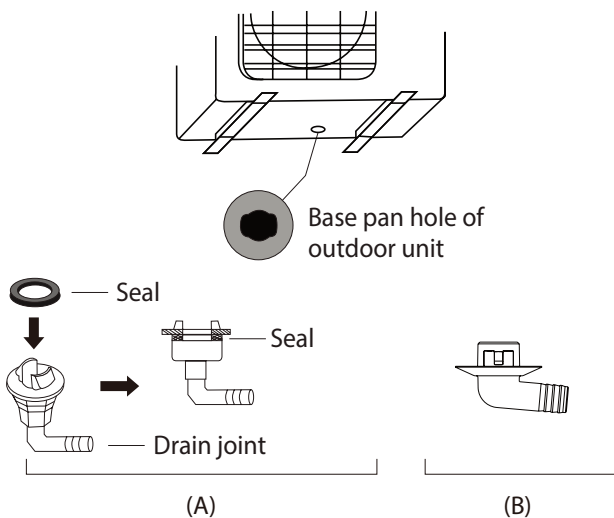
Before bolting the outdoor unit in place, you must install the drain joint at the bottom of the unit. Note that there are two different types of drain joints depending on the type of outdoor unit.

If the drain joint comes with a rubber seal (see Fig. A), do the following:

1. Fit the rubber seal on the end of the drain joint that will connect to the outdoor unit.
2. Insert the drain joint into the hole in the base pan of the unit.
3. Rotate the drain joint 90° until it clicks in place facing the front of the unit.
4. Connect a drain hose extension (not included) to the drain joint to redirect water from the unit during heating mode.

If the drain joint doesn't come with a rubber seal (see Fig. B), do the following:

1. Insert the drain joint into the hole in the base pan of the unit. The drain joint will click in place.
2. Connect a drain hose extension (not included) to the drain joint to redirect water from the unit during heating mode.



! IN COLD CLIMATES

In cold climates, make sure that the drain hose is as vertical as possible to ensure swift water drainage. If water drains too slowly, it can freeze in the hose and flood the unit.

Step 3: Anchor outdoor unit

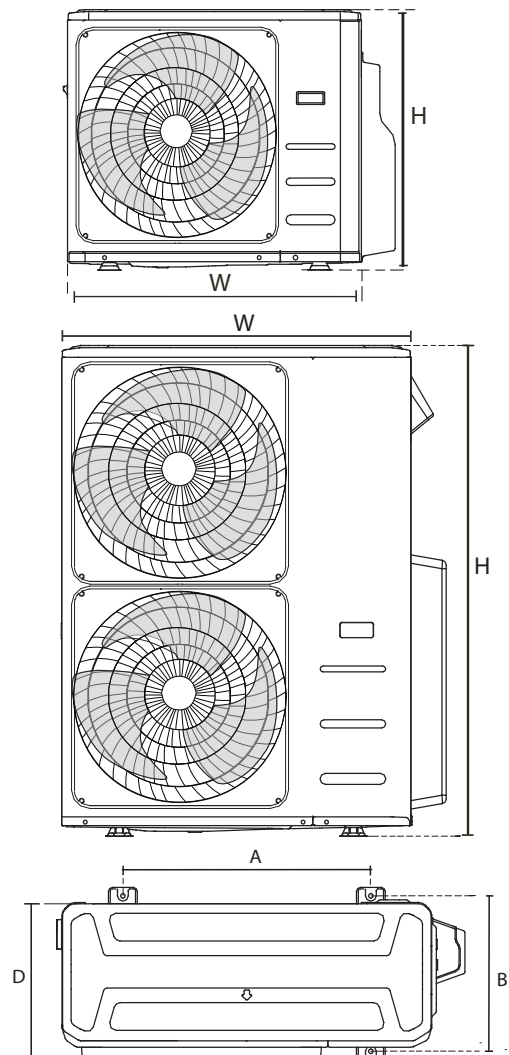
The outdoor unit can be anchored to the ground or to a wall-mounted bracket with bolt(M10). Prepare the installation base of the unit according to the dimensions below.

UNIT MOUNTING DIMENSIONS

The following is a list of different outdoor unit sizes and the distance between their mounting feet. Prepare the installation base of the unit according to the dimensions below.

Outdoor Unit Types and Specifications

Split Type Outdoor Unit



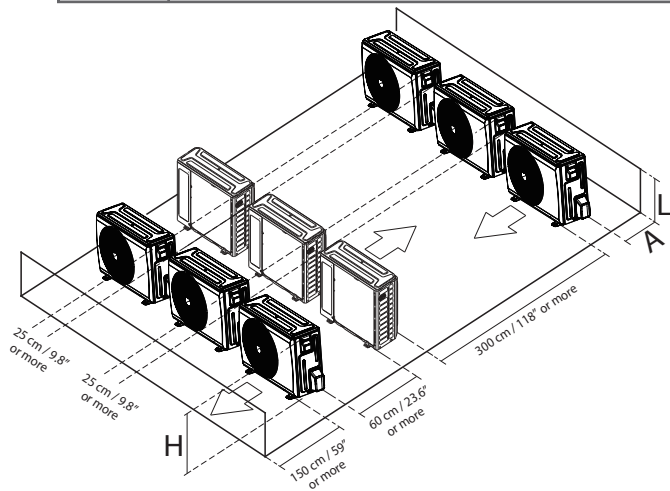
(unit: mm/inch)

Outdoor Unit Dimensions W x H x D	Mounting Dimensions	
	Distance A	Distance B
765x555x303 (30.1x21.8x11.9)	452 (17.8)	286(11.3)
805x554x330 (31.7x21.8x12.9)	511 (20.1)	317 (12.5)

Rows of series installation

The relations between H, A and L are as follows.

	L	A
$L \leq H$	$L \leq 1/2H$	25 cm / 9.8" or more
	$1/2H < L \leq H$	30 cm / 11.8" or more
$L > H$	Can not be installed	



Refrigerant Piping Connection

When connecting refrigerant piping, do not let substances or gases other than the specified refrigerant enter the unit. The presence of other gases or substances will lower the unit's capacity, and can cause abnormally high pressure in the refrigeration cycle. This can cause explosion and injury.

Note on Pipe Length

Ensure that the length of the refrigerant pipe, the number of bends, and the drop height between the indoor and outdoor units meets the requirements shown in the following table :

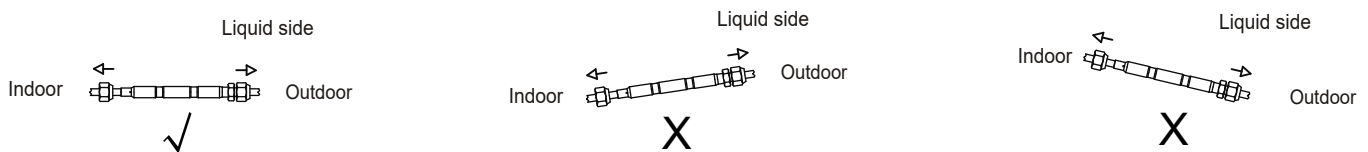
The Maximum Length And Drop Height Based on Models. (Unit: m/ft.)

Type of model	Capacity (Btu/h)	Length of piping	Maximum drop height
EU Inverter Split Type	<15K	25/82	10/32.8
	≥15K - <24K	30/98.4	20/65.6
	≥24K - <36K	50/164	25/82
	≥36K - ≤60K	75/246	30/98.4

⚠ CAUTION

Mark the data plate with the Orifice installed(for some models).

- Please purchase the fittings according to the requirements in the manual strictly.
- Refer the diagram when installing.



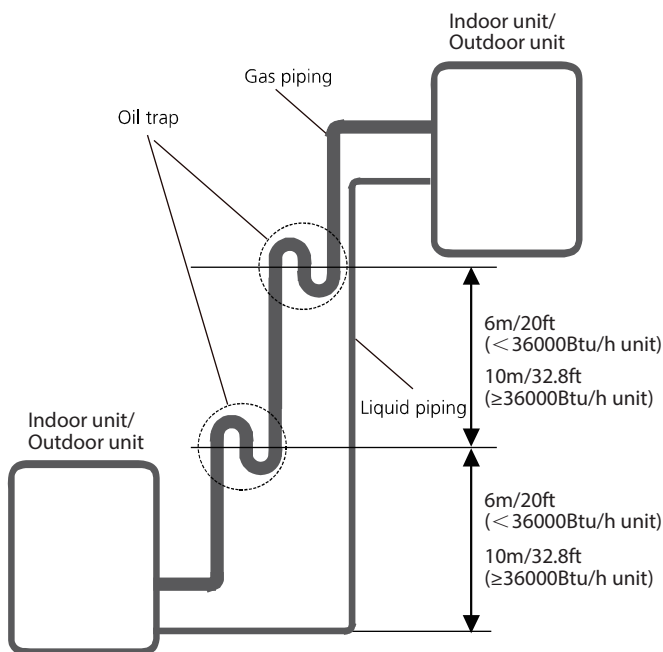
⚠ CAUTION

Oil traps

If oil flows back into the outdoor unit's compressor, this might cause liquid compression or deterioration of oil return. Oil traps in the rising gas piping can prevent this.

An oil trap should be installed every 6m(20ft) of vertical suction line riser (< 36000Btu/h unit).

An oil trap should be installed every 10m(32.8ft) of vertical suction line riser (≥ 36000 Btu/h unit).



Connection Instructions – Refrigerant Piping

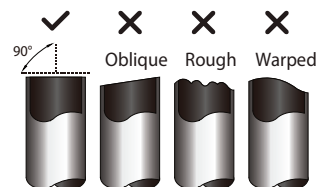
⚠ CAUTION

- The branching pipe must be installed horizontally. An angle of more than 10° may cause malfunction.
- **DO NOT** install the connecting pipe until both indoor and outdoor units have been installed.
- Insulate both the gas and liquid piping to prevent water leakage.

Step 1: Cut pipes

When preparing refrigerant pipes, take extra care to cut and flare them properly. This will ensure efficient operation and minimize the need for future maintenance.

1. Measure the distance between the indoor and outdoor units.
2. Using a pipe cutter, cut the pipe a little longer than the measured distance.
3. Make sure that the pipe is cut at a perfect 90° angle.



⊘ DO NOT DEFORM PIPE WHILE CUTTING

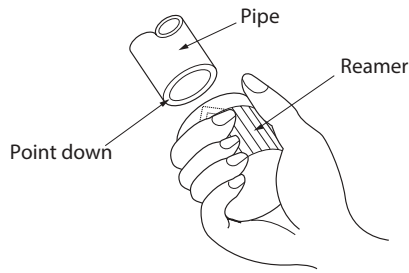
Be extra careful not to damage, dent, or deform the pipe while cutting. This will drastically reduce the heating efficiency of the unit.

Step 2: Remove burrs.

Burrs can affect the air-tight seal of refrigerant piping connection. They must be completely removed.

1. Hold the pipe at a downward angle to prevent burrs from falling into the pipe.

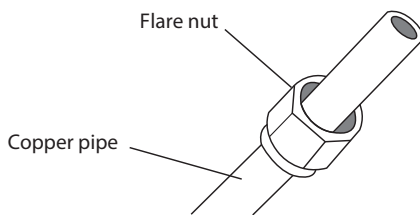
- Using a reamer or deburring tool, remove all burrs from the cut section of the pipe.



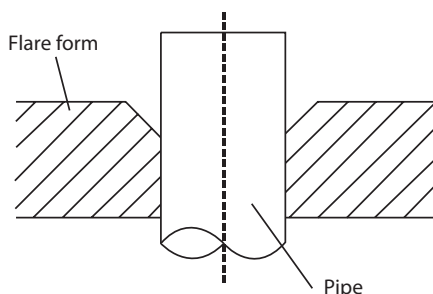
Step 3: Flare pipe ends

Proper flaring is essential to achieve an airtight seal.

- After removing burrs from cut pipe, seal the ends with PVC tape to prevent foreign materials from entering the pipe.
- Sheath the pipe with insulating material.
- Place flare nuts on both ends of pipe. Make sure they are facing in the right direction, because you can't put them on or change their direction after flaring.



- Remove PVC tape from ends of pipe when ready to perform flaring work.
- Clamp flare form on the end of the pipe. The end of the pipe must extend beyond the flare form.



- Place flaring tool onto the form.
- Turn the handle of the flaring tool clockwise until the pipe is fully flared. Flare the pipe in accordance with the dimensions.

PIPING EXTENSION BEYOND FLARE FORM

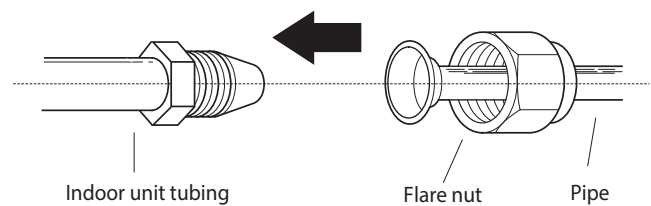
Pipe gauge	Tightening torque	Flare dimension (A) (Unit: mm/Inch)		Flare shape
		Min.	Max .	
Ø 6.35	18-20 N.m (180-200 kgf.cm)	8.4/0.33	8.7/0.34	
Ø 9.52	32-39 N.m (320-390 kgf.cm)	13.2/0.52	13.5/0.53	
Ø 12.7	49-59 N.m (490-590 kgf.cm)	16.2/0.64	16.5/0.65	
Ø 16	57-71 N.m (570-710 kgf.cm)	19.2/0.76	19.7/0.78	
Ø 19	67-101 N.m (670-1010 kgf.cm)	23.2/0.91	23.7/0.93	
Ø 22	85-110 N.m (850-1100 kgf.cm)	26.4/1.04	26.9/1.06	

- Remove the flaring tool and flare form, then inspect the end of the pipe for cracks and even flaring.

Step 4: Connect pipes

Connect the copper pipes to the indoor unit first, then connect it to the outdoor unit. You should first connect the low-pressure pipe, then the high-pressure pipe.

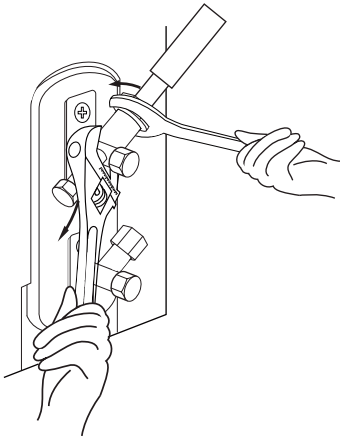
- When connecting the flare nuts, apply a thin coat of refrigeration oil to the flared ends of the pipes.
- Align the center of the two pipes that you will connect.



- Tighten the flare nut as tightly as possible by hand.
- Using a spanner, grip the nut on the unit tubing.

- While firmly gripping the nut, use a torque wrench to tighten the flare nut according to the torque values in above table.

NOTE: Use both a spanner and a torque wrench when connecting or disconnecting pipes to/from the unit.



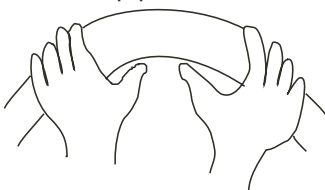
⚠ CAUTION

- Ensure to wrap insulation around the piping. Direct contact with the bare piping may result in burns or frostbite.
- Make sure the pipe is properly connected. Over tightening may damage the bell mouth and under tightening may lead to leakage.

NOTE ON MINIMUM BEND RADIUS

Carefully bend the tubing in the middle according to the diagram below. **DO NOT** bend the tubing more than 90° or more than 3 times.

Bend the pipe with thumb



min-radius 10cm (3.9")

- After connecting the copper pipes to the indoor unit, wrap the power cable, signal cable and the piping together with binding tape.

NOTE: **DO NOT** intertwine signal cable with other wires. While bundling these items together, do not intertwine or cross the signal cable with any other wiring.

- Thread this pipeline through the wall and connect it to the outdoor unit.
- Insulate all the piping, including the valves of the outdoor unit.
- Open the stop valves of the outdoor unit to start the flow of the refrigerant between the indoor and outdoor unit.

⚠ CAUTION

Check to make sure there is no refrigerant leak after completing the installation work. If there is a refrigerant leak, ventilate the area immediately and evacuate the system (refer to the Air Evacuation section of this manual).

NOTE: After connecting the piping, please wrap the connecting pipe head with the insulation pipe in the accessory package.

Wiring

BEFORE PERFORMING ANY ELECTRICAL WORK, READ THESE REGULATIONS

1. All wiring must comply with local and national electrical codes, regulations and must be installed by a licensed electrician.
2. All electrical connections must be made according to the Electrical Connection Diagram located on the panels of the indoor and outdoor units.
3. If there is a serious safety issue with the power supply, stop work immediately. Explain your reasoning to the client, and refuse to install the unit until the safety issue is properly resolved.
4. Power voltage should be within 90-110% of rated voltage. Insufficient power supply can cause malfunction, electrical shock, or fire.
5. If connecting power to fixed wiring, a surge protector and main power switch should be installed.
6. If connecting power to fixed wiring, a switch or circuit breaker that disconnects all poles and has a contact separation of at least 1/8in (3mm) must be incorporated in the fixed wiring. The qualified technician must use an approved circuit breaker or switch.
7. Only connect the unit to an individual branch circuit outlet. Do not connect another appliance to that outlet.
8. Make sure to properly ground the air conditioner.
9. Every wire must be firmly connected. Loose wiring can cause the terminal to overheat, resulting in product malfunction and possible fire.
10. Do not let wires touch or rest against refrigerant tubing, the compressor, or any moving parts within the unit.
11. If the unit has an auxiliary electric heater, it must be installed at least 1 meter (40in) away from any combustible materials.
12. To avoid getting an electric shock, never touch the electrical components soon after the power supply has been turned off. After turning off the power, always wait 10 minutes or more before you touch the electrical components.

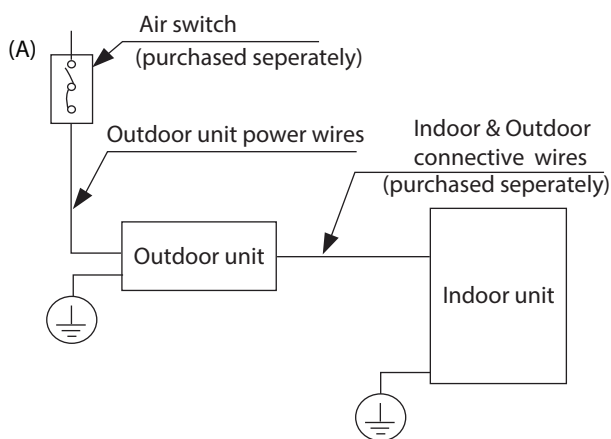
13. Make sure that you do not cross your electrical wiring with your signal wiring. This may cause distortion and interference.
14. The unit must be connected to the main outlet. Normally, the power supply must have a impedance of 32 ohms.
15. No other equipment should be connected to the same power circuit.
16. Connect the outdoor wires before connecting the indoor wires.

WARNING

BEFORE PERFORMING ANY ELECTRICAL OR WIRING WORK, TURN OFF THE MAIN POWER TO THE SYSTEM.

NOTE ON AIR SWITCH

When the maximum current of the air conditioner is more than 16A, an air switch or leakage protection switch with protective device shall be used (purchased separately). When the maximum current of the air conditioner is less than 16A, the power cord of air conditioner shall be equipped with plug (purchased separately). In North America, the appliance should be wired according to NEC and CEC requirements.



NOTE: The cognographs are for explanation purpose only. Your machine may be slightly different. The actual shape shall prevail.

Outdoor Unit Wiring

⚠ WARNING

Before performing any electrical or wiring work, turn off the main power to the system.

1. Prepare the cable for connection
 - a. You must first choose the right cable size. Be sure to use H07RN-F cables.

NOTE: In North America, choose the cable type according to the local electrical codes and regulations.

Minimum Cross-Sectional Area of Power and Signal Cables (For reference)

Rated Current of Appliance (A)	Nominal Cross-Sectional Area (mm ²)
> 3 and ≤ 6	0.75
> 6 and ≤ 10	1
> 10 and ≤ 16	1.5
> 16 and ≤ 25	2.5
> 25 and ≤ 32	4
> 32 and ≤ 40	6

CHOOSE THE RIGHT CABLE SIZE

The size of the power supply cable, signal cable, fuse, and switch needed is determined by the maximum current of the unit. The maximum current is indicated on the nameplate located on the side panel of the unit. Refer to this nameplate to choose the right cable, fuse, or switch.

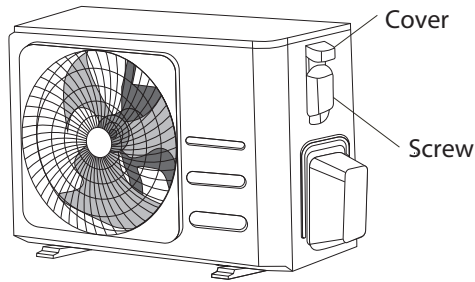
NOTE: In North America, please choose the right cable size according to the Minimum Circuit Ampacity indicated on the nameplate of the unit.

- b. Using wire strippers, strip the rubber jacket from both ends of the signal cable to reveal approximately 15cm (5.9") of wire.

- c. Strip the insulation from the ends.
- d. Using a wire crimper, crimp u-lugs on the ends.

NOTE: When connecting the wires, strictly follow the wiring diagram found inside the electrical box cover.

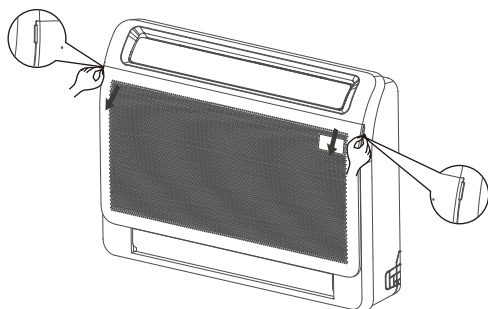
2. Remove the electric cover of the outdoor unit. If there is no cover on the outdoor unit, take off the bolts from the maintenance board and remove the protection board.



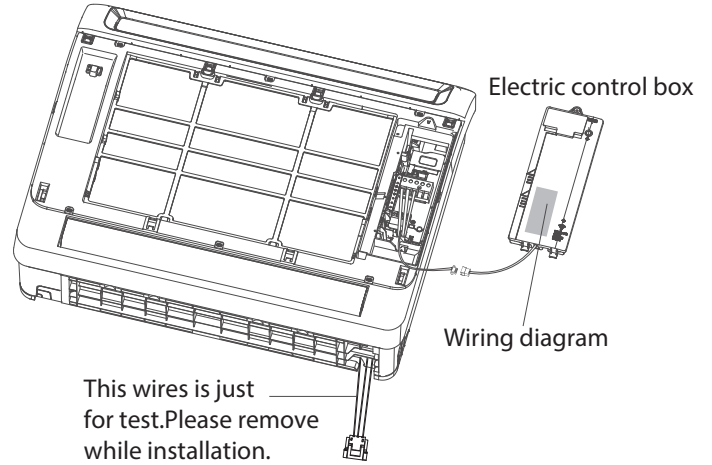
3. Connect the u-lugs to the terminals. Match the wire colors/labels with the labels on the terminal block. Firmly screw the u-lug of each wire to its corresponding terminal.
4. Clamp down the cable with the cable clamp.
5. Insulate unused wires with electrical tape. Keep them away from any electrical or metal parts.
6. Reinstall the cover of the electric control box.

Indoor Unit Wiring

1. Prepare the cable for connection
 - a. Using wire strippers, strip the rubber jacket from both ends of the signal cable to reveal about 15cm (5.9") of the wire.
 - b. Strip the insulation from the ends of the wires.
 - c. Using a wire crimper, crimp the u-lugs to the ends of the wires.
2. Pull the left and right handles of the front panel, pull the panel outward, and open the panel.

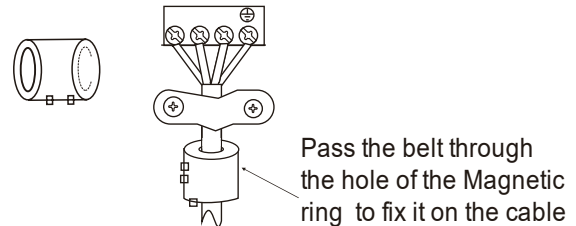


3. Remove the electric control box. Connect the u-lugs to the terminals. Match the wire colors/labels with the labels on the terminal block, Firmly screw the u-lug of each wire to its corresponding terminal. Refer to the Serial Number and Wiring Diagram located on the cover of the electric control box.



NOTE: When taking out the electric control box, pay attention to loosen and remove the terminal.

Magnetic ring (if supplied and packed with the accessories)



⚠ CAUTION

- Illustrations in this manual are for explanatory purposes. The actual shape shall prevail.
 - While connecting the wires, please strictly follow the wiring diagram.
 - The refrigerant circuit can become very hot. Keep the interconnection cable away from the copper tube.
4. Clamp down cable with the designated cable clamp to secure it in place. The cable should not be loose, and should not pull on the u-lugs.
 5. Reinstall the electric box cover and the front panel of the indoor unit.

Power Specifications

MODEL(Btu/h)		<16K	16K~18K
POWER	PHASE	1 Phase	1 Phase
	FREQUENCY AND VOLT	220-240V~, 50Hz/60Hz	220-240V~, 50Hz/60Hz
CIRCUIT BREAKER (A)		16	16
INDOOR UNIT POWER WIRING(mm ²)		---	---
INDOOR/OUTDOOR CONNECTING WIRING(mm ²)	OUTDOOR UNIT POWER WIRING	3x1.5	3x1.5
	STRONG ELECTRIC SIGNAL	4x1.5	4x1.5
	WEAK ELECTRIC SIGNAL	---	---
	GROUND WIRING	1.5	2.5

Air Evacuation

Preparations and Precautions

Air and foreign matter in the refrigerant circuit can cause abnormal rises in pressure, which can damage the air conditioner, reduce its efficiency, and cause injury. Use a vacuum pump and manifold gauge to evacuate the refrigerant circuit, removing any non-condensable gas and moisture from the system.

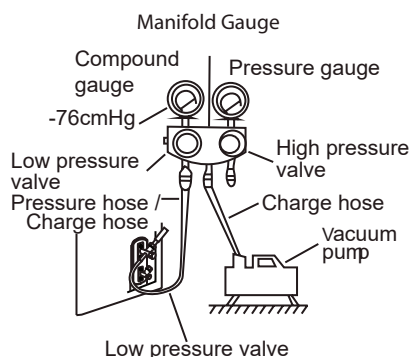
Evacuation should be performed upon initial installation and when unit is relocated.

BEFORE PERFORMING EVACUATION

- ☑ Check to make sure the connective pipes between the indoor and outdoor units are connected properly.
- ☑ Check to make sure all wiring is connected properly.

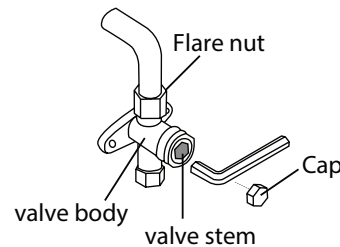
Evacuation Instructions

1. Connect the charge hose of the manifold gauge to service port on the outdoor unit's low pressure valve.
2. Connect another charge hose from the manifold gauge to the vacuum pump.
3. Open the Low Pressure side of the manifold gauge. Keep the High Pressure side closed.
4. Turn on the vacuum pump to evacuate the system.
5. Run the vacuum for at least 15 minutes, or until the Compound Meter reads -76cmHG (-10⁵Pa).



6. Close the Low Pressure side of the manifold gauge, and turn off the vacuum pump.
7. Wait for 5 minutes, then check that there has been no change in system pressure.

8. If there is a change in system pressure, refer to Gas Leak Check section for information on how to check for leaks. If there is no change in system pressure, unscrew the cap from the packed valve (high pressure valve).
9. Insert hexagonal wrench into the packed valve (high pressure valve) and open the valve by turning the wrench in a 1/4 counterclockwise turn. Listen for gas to exit the system, then close the valve after 5 seconds.
10. Watch the Pressure Gauge for one minute to make sure that there is no change in pressure. The Pressure Gauge should read slightly higher than atmospheric pressure.
11. Remove the charge hose from the service port.



12. Using hexagonal wrench, fully open both the high pressure and low pressure valves.
13. Tighten valve caps on all three valves (service port, high pressure, low pressure) by hand. You may tighten it further using a torque wrench if needed.

! OPEN VALVE STEMS GENTLY

When opening valve stems, turn the hexagonal wrench until it hits against the stopper. Do not try to force the valve to open further.

Note on Adding Refrigerant

Some systems require additional charging depending on pipe lengths. The standard pipe length varies according to local regulations. For example, in North America, the standard pipe length is 7.5m (25'). In other areas, the standard pipe length is 5m (16'). The refrigerant should be charged from the service port on the outdoor unit's low pressure valve. The additional refrigerant to be charged can be calculated using the following formula:

Liquid Side Diameter

	φ6.35(1/4")	φ9.52(3/8")	φ12.7(1/2")
R22 (orifice tube in the indoor unit):	(Total pipe length - standard pipe length) x 30g (0.32oz)/m(ft)	(Total pipe length - standard pipe length) x 65g(0.69oz)/m(ft)	(Total pipe length - standard pipe length) x 115g(1.23oz)/m(ft)
R22 (orifice tube in the outdoor unit):	(Total pipe length - standard pipe length) x 15g(0.16oz)/m(ft)	(Total pipe length - standard pipe length) x 30g(0.32oz)/m(ft)	(Total pipe length - standard pipe length) x 60g(0.64oz)/m(ft)
R410A: (orifice tube in the indoor unit):	(Total pipe length - standard pipe length) x 30g(0.32oz)/m(ft)	(Total pipe length - standard pipe length) x 65g(0.69oz)/m(ft)	(Total pipe length - standard pipe length) x 115g(1.23oz)/m(ft)
R410A: (orifice tube in the outdoor unit):	(Total pipe length - standard pipe length) x 15g(0.16oz)/m(ft)	(Total pipe length - standard pipe length) x 30g(0.32oz)/m(ft)	(Total pipe length - standard pipe length) x 65g(0.69oz)/m(ft)
R32 :	(Total pipe length - standard pipe length) x 12g(0.13oz)/m(ft)	(Total pipe length - standard pipe length) x 24g(0.26oz)/m(ft)	(Total pipe length - standard pipe length) x 40g(0.42oz)/m(ft)

 **CAUTION** DO NOT mix refrigerant types.

Only for Australia models :

- This unit contains factory charged refrigerant covering 20m of refrigerant piping and additional refrigerant charge on the installation site is not required for an installation with up to 20m refrigerant piping. When refrigerant piping exceeds 20m, additionally charge an amount calculated from the pipe length and the above table for the portion in excess of 20m.
- If an existing pipe system is used, a required refrigerant charge volume will vary depending on the liquid pipe size.

Formula to calculate the volume of additional refrigerant required :

Additional charge volume (kg) = { Main length (m) – Factory charged volume 20(m) } × 0.03(kg/m)

- Make sure to remove the additional refrigerant amount according to the nameplate rated charge (under 5m refrigerant piping) under market or government verification testing .

Test Run

Before Test Run

A test run must be performed after the entire system has been completely installed. Confirm the following points before performing the test:

- a) Indoor and outdoor units are properly installed.
- b) Piping and wiring are properly connected.
- c) No obstacles near the inlet and outlet of the unit that might cause poor performance or product malfunction.
- d) Refrigeration system does not leak.
- e) Drainage system is unimpeded and draining to a safe location.
- f) Heating insulation is properly installed.
- g) Grounding wires are properly connected.
- h) Length of the piping and additional refrigerant stow capacity have been recorded.
- i) Power voltage is the correct voltage for the air conditioner.

CAUTION

Failure to perform the test run may result in unit damage, property damage, or personal injury.

Test Run Instructions

1. Open both the liquid and gas stop valves.
2. Turn on the main power switch and allow the unit to warm up.
3. Set the air conditioner to COOL mode.
4. For the Indoor Unit
 - a. Ensure the remote control and its buttons work properly.
 - b. Ensure the louvers move properly and can be changed using the remote control.
 - c. Double check to see if the room temperature is being registered correctly.
 - d. Ensure the indicators on the remote control and the display panel on the indoor unit work properly.
 - e. Ensure the manual buttons on the indoor unit works properly.

- f. Check to see that the drainage system is unimpeded and draining smoothly.
 - g. Ensure there is no vibration or abnormal noise during operation.
5. For the Outdoor Unit
 - a. Check to see if the refrigeration system is leaking.
 - b. Make sure there is no vibration or abnormal noise during operation.
 - c. Ensure the wind, noise, and water generated by the unit do not disturb your neighbors or pose a safety hazard.
 6. Drainage Test
 - a. Ensure the drainpipe flows smoothly. New buildings should perform this test before finishing the ceiling.
 - b. Remove the test cover. Add 2,000ml of water to the tank through the attached tube.
 - c. Turn on the main power switch and run the air conditioner in COOL mode.
 - d. Listen to the sound of the drain pump to see if it makes any unusual noises.
 - e. Check to see that the water is discharged. It may take up to one minute before the unit begins to drain depending on the drainpipe.
 - f. Make sure that there are no leaks in any of the piping.
 - g. Stop the air conditioner. Turn off the main power switch and reinstall the test cover.

NOTE: If the unit malfunctions or does not operate according to your expectations, please refer to the Troubleshooting section of the Owner's Manual before calling customer service.

Table des matières

Précautions de sécurité	04
--------------------------------------	-----------

Manuel d'utilisateur

Spécifications et caractéristiques de l'unité.....	09
1. Affichage de l'unité intérieure	09
2. Température de fonctionnement.....	10
3. Autres caractéristiques	11
4. Réglage de la direction du flux d'air	12
Entretien et maintenance.....	13
Dépannage	15

Accessoires	18
Résumé de l'installation	19
Pièces d'unité	20
Installation de l'unité intérieure	21
1. Sélectionnez l'emplacement d'installation	21
2. Installation du corps principal	22
3. Démontez l'unité intérieure pour raccorder les tuyaux	23
4. Définition de l'adresse du réseau	24
5. Percez un trou dans le mur pour la tuyauterie de raccordement	24
6. Connectez le tuyau de vidange	25
Installation de l'unité extérieure.....	26
1. Sélectionnez l'emplacement d'installation	26
2. Installez le joint de vidange	27
3. Ancrez l'unité extérieure	27
Raccordement de la tuyauterie de réfrigérant.....	29
A. Remarque sur la longueur du tuyau.....	29
B. Instructions de connexion -Tuyauterie de réfrigérant	30
1. Coupez le tuyau	30
2. Éliminez les bavures	30
3. Extrémités évasées de tuyau	31
4. Connectez les tuyaux	31
Câblage	33
1. Câblage de l'unité extérieure	34
2. Câblage de l'unité intérieure	35
3. Spécifications d'alimentation	36
Échappement d'air	37
1. Instructions d'échappement.....	37
2. Remarque sur l'ajout de réfrigérant	38
Essai de fonctionnement.....	39

Précautions de sécurité

Lire les précautions de sécurité avant l'utilisation et l'installation

Une installation incorrecte due au non-respect des instructions peut entraîner des dégâts ou des dommages graves.

La gravité d'un dégât potentiel ou d'une blessure potentielle est classée comme AVERTISSEMENT ou ATTENTION .



AVERTISSEMENT

Ce symbole indique la possibilité de blessures corporelles ou de décès.



ATTENTION

Ce symbole indique la possibilité d'un dégât matériel ou de conséquences graves.



AVERTISSEMENT

Cet appareil peut être utilisé par des enfants âgés de 8 ans et plus et des personnes ayant des capacités réduites physiques, sensorielles ou mentales ou n'ayant pas d'expérience et de connaissances s'ils ont reçu une supervision ou des instructions concernant l'utilisation de l'appareil en toute sécurité et qu'ils comprennent les dangers y afférents. Les enfants ne doivent pas jouer avec l'appareil. Le nettoyage et l'entretien ne doivent pas être effectués par des enfants sans surveillance (exigences de la norme EN).

Cet appareil n'est pas destiné à être utilisé par des personnes (y compris les enfants) dont les capacités physiques, sensorielles ou mentales sont réduites, ou qui manquent d'expérience et de connaissances, à moins qu'elles n'aient été supervisées ou n'aient reçu des instructions concernant l'utilisation de l'appareil par une personne responsable de leur sécurité. Les enfants doivent être supervisés pour s'assurer qu'ils ne jouent pas avec l'appareil.



AVERTISSEMENTS POUR L'UTILISATION DU PRODUIT

- Si une situation anormale survient (comme une odeur de brûlé), éteignez immédiatement l'appareil et le débranchez. Appelez votre revendeur pour obtenir des instructions afin d'éviter les chocs électriques, les incendies ou les blessures.
- N'insérez pas les doigts, tiges ou autres objets dans l'entrée ou la sortie d'air. Cela peut causer des blessures, car le ventilateur peut tourner à grande vitesse.
- **Ne** pas utiliser des aérosols inflammables tels que laque pour cheveux, laque ou peinture à proximité de l'appareil. Cela peut provoquer un incendie ou une combustion.
- **Ne** pas faire fonctionner le climatiseur dans des endroits à la proximité ou autour de gaz combustibles. Le gaz émis peut s'accumuler autour de l'unité et provoquer une explosion.
- **Ne** pas faire fonctionner votre climatiseur dans une chambre humide telle qu'une salle de bain ou une buanderie. Une exposition fréquente à l'humidité peut provoquer un court-circuit des composants électriques.
- **Ne** pas exposer votre corps directement à l'air frais ou chaud pendant une période prolongée.
- **Ne** pas permettre aux enfants de jouer avec le climatiseur. Les enfants doivent être surveillés autour de l'unité en tout temps.
- Si le climatiseur est utilisé avec des brûleurs ou d'autres appareils de chauffage, veuillez ventiler complètement la chambre pour éviter une déficience d'oxygène.
- Dans certains environnements fonctionnels, tels que les cuisines, les salles de serveurs, etc., l'utilisation des unités de climatisation spécialement conçues est fortement recommandée.

AVERTISSEMENTS DE NETTOYAGE ET D'ENTRETIEN

- Éteignez et débranchez l'appareil avant de le nettoyer. Le non-respect de cette consigne peut provoquer un choc électrique.
- **Ne** pas nettoyer le climatiseur avec une quantité excessive d'eau.
- **Ne** pas nettoyer le climatiseur avec des produits de nettoyage combustibles. Les produits de nettoyage combustibles peuvent provoquer un incendie ou une déformation.



ATTENTION

- Éteignez et débranchez le climatiseur si vous ne comptez pas l'utiliser pendant une longue période.
- Éteignez et débranchez l'appareil pendant les orages.
- Assurez-vous que l'eau de condensation peut s'écouler sans entrave de l'unité.
- **Ne** pas faire fonctionner le climatiseur avec les mains mouillées. Cela peut provoquer un choc électrique.
- **Ne** pas utiliser l'appareil à d'autres fins que celles auxquelles il est destiné.
- **Ne** pas grimper ou placer des objets sur le dessus de l'unité extérieure.
- **Ne** pas laisser le climatiseur fonctionner pendant une longue période avec les portes ou les fenêtres ouvertes, ou si l'humidité est très élevée.



AVERTISSEMENTS ÉLECTRIQUES

- Utilisez uniquement le câble d'alimentation spécifié. Si le câble d'alimentation est endommagé, il doit être remplacé par le fabricant, son agent de service ou des personnes qualifiées similaires afin d'éviter tout danger.
- Maintenez la fiche d'alimentation propre. Enlevez toute poussière ou impureté qui s'accumule sur ou autour de la fiche. Des fiches sales peuvent provoquer un incendie ou un choc électrique.
- Ne pas tirer sur le câble d'alimentation pour débrancher l'appareil. Tenez fermement la fiche et retirez-la de la prise. Tirer directement sur le câble peut l'endommager, ce qui peut provoquer un incendie ou un choc électrique.
- Ne pas modifier la longueur du câble d'alimentation ni utiliser une rallonge pour alimenter l'unité.
- Ne pas partager la prise électrique avec d'autres appareils. Une alimentation électrique incorrecte ou insuffisante peut provoquer un incendie ou un choc électrique.
- Le produit doit être correctement mis à la terre lors de l'installation, sinon un choc électrique pourrait se produire.
- Pour tous les travaux électriques, respectez toutes les normes de câblage locales et nationales, les réglementations et le Manuel d'installation. Connectez fermement les câbles et serrez-les solidement pour éviter l'endommagement du terminal dû aux forces externes. Des connexions électriques incorrectes peuvent provoquer une surchauffe, un incendie ainsi qu'une électrocution. Toutes les connexions électriques doivent être effectuées conformément au schéma de connexion électrique situé sur les panneaux des unités intérieure et extérieure.
- Tout le câblage doit être correctement disposé pour s'assurer que le couvercle du tableau de commande peut se fermer correctement. Si le couvercle du tableau de commande n'est pas correctement fermé, cela peut entraîner une corrosion et provoquer un échauffement, un incendie ou un choc électrique des points de connexion sur la borne.
- Si vous connectez l'alimentation à un câblage fixe, un dispositif de déconnexion omnipolaire qui a au moins 3 mm de dégagement sur tous les pôles et un courant de fuite pouvant dépasser 10 mA, le dispositif à courant résiduel (RCD) ayant un courant de fonctionnement résiduel nominal ne dépassant pas 30 mA, et la déconnexion doit être intégrée au câblage fixe conformément aux règles de câblage.

PRENDRE NOTE DES SPÉCIFICATIONS DU FUSIBLE

Le circuit imprimé (PCB) du climatiseur est conçu avec un fusible pour fournir une protection contre les surintensités. Les spécifications du fusible sont imprimées sur le circuit imprimé, telles que :

T3.15A/250VAC, T5A/250VAC, T10A/250VAC, T20A/250VAC, T30A/250VAC, etc.

REMARQUE : Pour les unités avec réfrigérant R32 ou R290, seul le fusible céramique anti-déflagrant peut être utilisé.

**AVERTISSEMENTS POUR L'INSTALLATION DU PRODUIT**

1. L'installation doit être effectuée par un revendeur ou un spécialiste agréé. Une installation défectueuse peut provoquer une fuite d'eau, un choc électrique ou un incendie.
2. L'installation doit être effectuée conformément aux instructions d'installation. Une installation incorrecte peut provoquer une fuite d'eau, un choc électrique ou un incendie.
(En Amérique du Nord, l'installation doit être effectuée uniquement par le personnel autorisé conformément aux exigences de NEC et CEC.)
3. Contactez un technicien de service agréé pour la réparation ou la maintenance de cette unité. Cet appareil doit être installé conformément aux réglementations nationales en matière de câblage.
4. Utilisez uniquement les accessoires, pièces et pièces spécifiées inclus pour l'installation. L'utilisation de pièces non standard peut provoquer des fuites d'eau, des chocs électriques, des incendies et entraîner la défaillance de l'unité.
5. Installez l'unité dans un endroit ferme pouvant supporter le poids de l'unité. Si l'emplacement choisi ne peut pas supporter le poids de l'unité, ou si l'installation n'est pas faite correctement, l'unité peut chuter et causer de sérieux dommages et blessures.
6. Installez la tuyauterie de drainage selon les instructions de ce manuel. Un mauvais drainage peut causer un dégât d'eau à votre maison et à votre propriété.
7. Pour les unités équipées d'un chauffage électrique auxiliaire, **ne** pas installer l'unité à moins de 1 mètre (3 pieds) de matériaux combustibles.
8. **Ne** pas installer l'unité dans un endroit qui peut être exposée à des fuites de gaz combustible. Si des gaz combustibles s'accumulent autour de l'unité, cela peut provoquer un incendie.
9. Ne pas mettre sous tension l'appareil jusqu'à ce que tout le travail soit terminé.
10. Lors du déplacement ou de la relocalisation du climatiseur, consultez des techniciens de service expérimentés pour le débranchement et la réinstallation de l'unité.
11. Comment installer l'appareil sur son support, veuillez lire les informations pour plus de détails dans les sections «installation de l'unité intérieure» et «installation de l'unité extérieure».

Remarque sur les gaz fluorés (non applicable à l'unité pour laquelle le réfrigérant R290 est utilisé)

1. Ce climatiseur contient des gaz à effet de serre fluorés. Pour des informations spécifiques sur le type et la quantité de gaz, veuillez vous référer à l'étiquette correspondante sur l'appareil ou au « Manuel d'utilisateur - Fiche Produit » dans l'emballage de l'unité extérieure. (Produits de l'Union européenne uniquement).
2. L'installation, l'entretien, la maintenance et la réparation de cette unité doivent être effectués par un technicien certifié.
3. Le démontage et le recyclage du produit doivent être effectués par un technicien certifié.
4. Pour l'appareil contenant des gaz à effet de serre fluorés en quantités égales ou supérieures à 5 tonnes d'équivalent CO₂, mais inférieures à 50 tonnes d'équivalent CO₂, si le système est équipé d'un mécanisme de détection de fuites, celui-ci doit être contrôlé au moins tous les 24 mois.
5. Il est vivement recommandé de consigner toutes les vérifications effectuées sur l'unité pour détecter les fuites.

**AVERTISSEMENT sur l'utilisation du réfrigérant R32/R290**

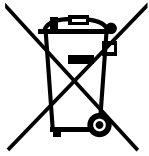
- Veuillez stocker l'appareil dans un endroit bien ventilé où la taille de la chambre correspond à la surface de la chambre spécifiée pour le fonctionnement lorsque des réfrigérants inflammables sont utilisés.
Pour les modèles de réfrigérant R32 :
L'appareil doit être installé, utilisé et stocké dans une chambre dont la surface au sol est supérieure à X m². L'appareil ne doit pas être installé dans un espace non ventilé, si cet espace est inférieur à X m² (Veuillez consulter le formulaire suivant).

Modèle (Btu/h)	Superficie minimale de la chambre (m ²)
≤18000	18

- Les connecteurs mécaniques réutilisables et les joints évasés ne sont pas autorisés à l'intérieur. (Exigences de la norme **EN**).
- Les connecteurs mécaniques utilisés à l'intérieur doivent avoir un taux ne dépassant pas 3 g/an à 25 % de la pression maximale admissible. Lorsque les connecteurs mécaniques sont réutilisés à l'intérieur, les pièces d'étanchéité doivent être renouvelées. Lorsque les joints évasés sont réutilisés à l'intérieur, la partie évasée doit être refaite. (Exigences de la norme **UL**)
- Lorsque les connecteurs mécaniques sont réutilisés à l'intérieur, les pièces d'étanchéité doivent être renouvelées. Lorsque les joints évasés sont réutilisés à l'intérieur, la partie évasée doit être refaite. (Exigences de la norme **CEI**)
- Les connecteurs mécaniques utilisés à l'intérieur doivent être conformes à la norme ISO 14903.

Directives européennes d'élimination

Ce marquage figurant sur le produit ou sa documentation indique que les déchets d'équipements électriques et électroniques ne doivent pas être mélangés avec les ordures ménagères générales.



Élimination Correcte de Ce Produit (Déchets d'Équipements Électriques et Électroniques)

Cet appareil contient du réfrigérant et d'autres matériaux potentiellement dangereux. Lors de la mise au rebut de cet appareil, la loi exige une collecte et un traitement spéciaux. **Ne** pas jeter ce produit avec les ordures ménagères ou les ordures municipales non triées.

Lors de la mise au rebut de cet appareil, vous disposez des options suivantes :

- Mettez au rebut l'appareil dans une installation municipale désignée de collecte des déchets électroniques.
- Lors de l'achat d'un nouvel appareil, le détaillant récupérera gratuitement l'ancien appareil.
- Le fabricant récupérera gratuitement l'ancien appareil.
- Il vend l'appareil à des marchands de ferraille certifiés.

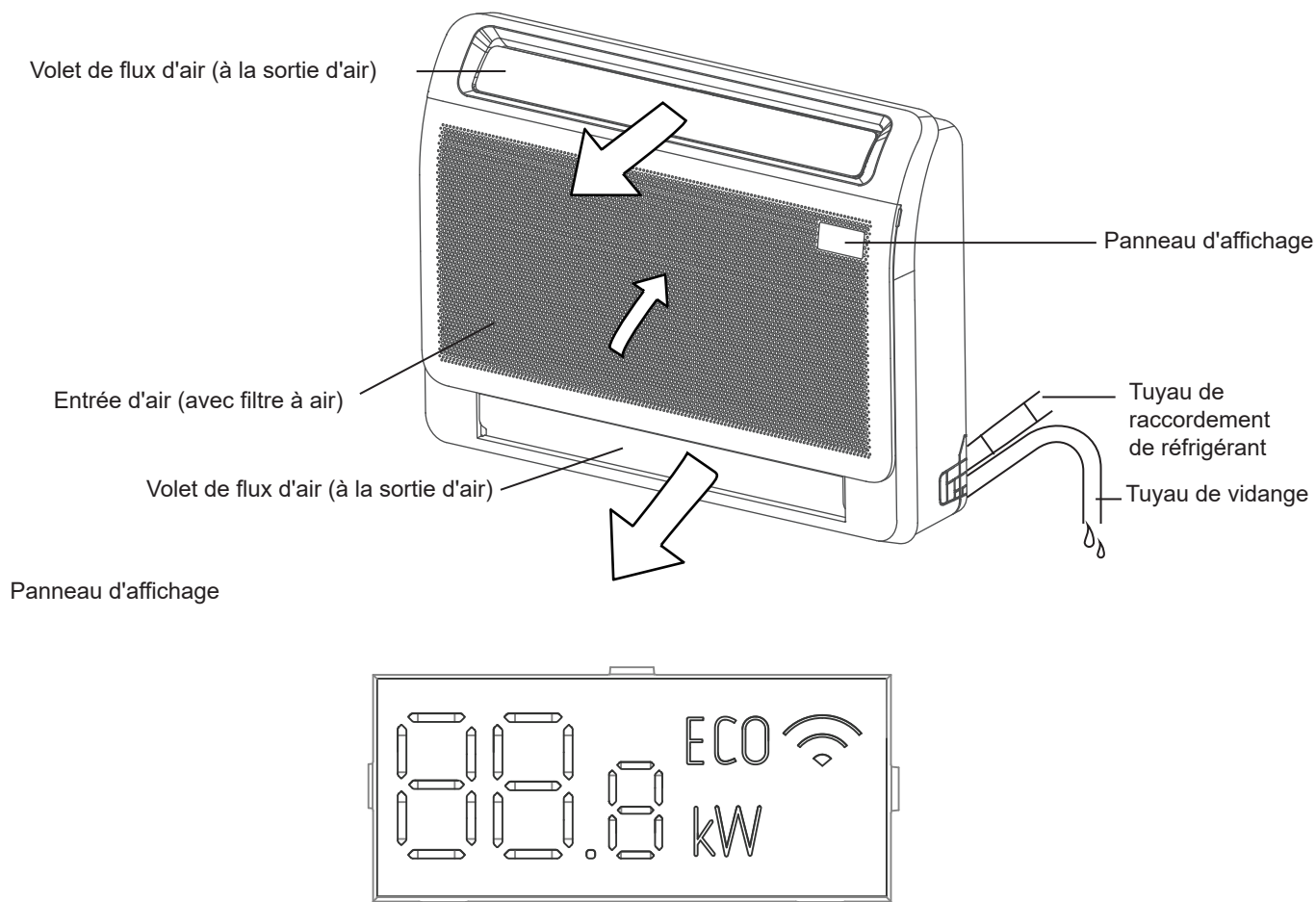
Notice spéciale

La mise au rebut de cet appareil dans la forêt ou dans un autre environnement naturel met en danger votre santé et est nuisible à l'environnement. Des substances dangereuses peuvent s'infiltrer dans les eaux souterraines et entrer dans la chaîne alimentaire.

Spécifications et caractéristiques de l'unité

Affichage de l'unité intérieure

REMARQUE : Ce panneau d'affichage sur l'unité intérieure peut être utilisé pour faire fonctionner l'appareil au cas où la télécommande a été égarée ou ses piles sont déchargées.



- **888** Affiche la température et les codes d'Erreur :
- **DF** " lors du dégivrage (pour les unités de refroidissement et de chauffage du modèle B)
- **00** " pendant 3 secondes lorsque :
 - La MINUTERIE est mise en position ON
 - SWING ou SILENCE est activé
- **0F** " pendant 3 secondes lorsque :
 - La MINUTERIE est mise en position OFF
 - SWING ou SILENCE est désactivé
- **CL** " lorsque l'unité est autonettoyante
- **FP** " lorsque la fonction de chauffage à 8 °C est activée

- **ECO** ECO Lorsque la fonction ECO (certaines unités) est activée.
- lorsque la fonction de contrôle sans fil est activée (certaines unités)

Température de fonctionnement

Lorsque votre climatiseur est utilisé en dehors des plages de température suivantes, certaines fonctions de sécurité peuvent s'activer et entraîner la désactivation de l'unité.

Type split de l'onduleur

	Mode COOL	Mode HEAT	Mode DRY
Température ambiante	16°C - 32°C (60°F - 90°F)	0°C - 30°C (32°F - 86°F)	10°C - 32°C (50°F - 90°F)
Extérieur Température	0°C - 50°C (32°F - 122°F)	-15°C - 24°C (5°F - 75°F)	0°C - 50°C (32°F - 122°F)
	-15°C - 50°C (5°F - 122°F)		

Type à vitesse fixe

	Mode COOL	Mode HEAT	Mode DRY
Chambre Température	16°C-32°C (60°F-90°F)	0°C-30°C (32°F-86°F)	10°C-32°C (50°F-90°F)
Extérieur Température	18°C-43°C (64°F-109°F)	-7°C-24°C (19°F-75°F)	11°C-43°C (52°F-109°F)
	-7°C-43°C (19°F-109°F) <small>(Pour les modèles avec les systèmes de refroidissement à basse température)</small>		18°C-43°C (64°F-109°F)
	18°C-52°C (64°F-126°F) <small>(Pour les modèles tropicaux spéciaux)</small>		18°C-52°C (64°F-126°F) <small>(Pour les modèles tropicaux spéciaux)</small>

REMARQUE : Humidité relative de la chambre inférieure à 80%. Si le climatiseur fonctionne au-delà de ce chiffre, la surface du climatiseur peut faire l'objet d'une condensation. Veuillez régler le volet de flux d'air vertical à son angle maximum (verticalement par rapport au sol), et régler le mode ventilateur HIGH.

Pour optimiser davantage les performances de votre unité, procédez comme suit :

- Gardez les portes et les fenêtres fermées.
- Utilisez les fonctions MINUTERIE ON et MINUTERIE OFF pour limiter la consommation d'énergie.
- Ne pas obstruer les entrées et sorties d'air.
- Inspectez et nettoyez régulièrement les filtres à air.

Réglage par défaut

Lorsque le climatiseur redémarre après une coupure de courant, il reprend les paramètres d'usine par défaut (mode AUTO , ventilateur automatique , 24°C (76°F)). Cela peut entraîner des incohérences sur la télécommande et le panneau de l'unité. Utilisez votre télécommande pour mettre à jour l'état.

Redémarrage automatique

En cas de coupure de courant, le système s'arrêtera immédiatement. Au retour du courant, le voyant de fonctionnement de l'unité intérieure clignotera. Pour redémarrer l'unité, appuyez sur le bouton **ON/OFF** de la télécommande. Si le système dispose d'une fonction de redémarrage automatique, l'unité redémarrera en utilisant le même réglage.

Fonction de mémoire de l'angle de volet

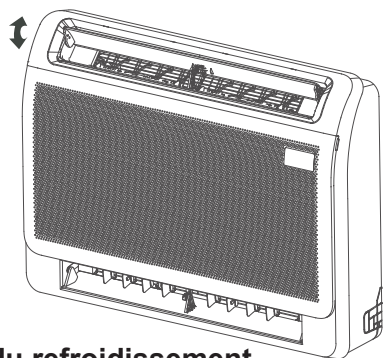
Certains modèles sont conçus de manière à avoir une fonction de mémoire de l'angle de volet. Au redémarrage de l'unité après une coupure de courant, l'angle des volets horizontaux reviendra automatiquement à la position précédente. L'angle du volet ne doit pas être réglé de manière qu'il est trop bas, au risque de favoriser la formation de condensation et son écoulement dans l'appareil. Pour réinitialiser le volet, appuyez sur le bouton manuel, lequel réinitialisera les réglages du volet horizontal.

Système de détection de fuite de réfrigérant

L'unité intérieure affichera automatiquement « EC » ou « ELOC » ou fait clignoter les LED (selon le modèle) en cas de détection de fuite de réfrigérant.

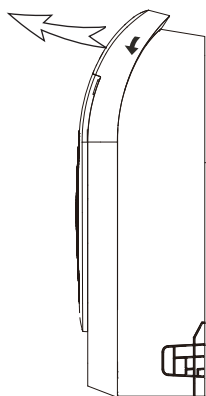
Réglage de la direction du flux d'air

- **Swing manuel** : Appuyez sur Direction de l'air pour fixer le volet à l'angle désiré. Le volet oscille (vers le haut ou vers le bas) à un angle différent à chaque appui sur le bouton. La direction de l'air peut être modifiée en réglant manuellement le volet de soufflage.



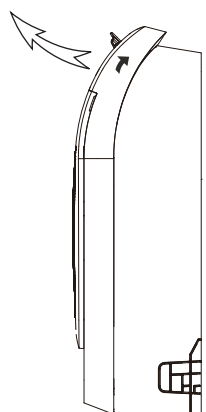
- **Lors du refroidissement**

Ajustez le volet vers le bas (horizontalement).




- **Lors du chauffage**

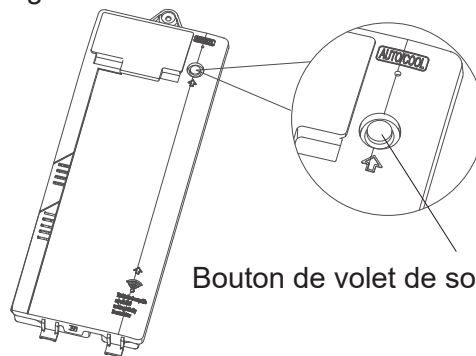
Réglez le volet verticalement.



- **Réglage de l'interrupteur du volet de soufflage inférieur**

À condition de respecter la température ambiante, le volet de soufflage inférieur peut être ouvert lorsque l'appareil est allumé.

Pour activer ou désactiver le volet de soufflage inférieur, utilisez le bouton sur le boîtier de commande électrique. Dans les 10 minutes suivant la mise sous tension, appuyez sur  pendant 5 secondes pour entrer en mode veille. Appuyez pour ouvrir ou fermer le volet de soufflage inférieur.



Bouton de volet de soufflage

Boîtier de commande électrique

REMARQUE : Pendant le processus de réglage, le panneau d'affichage affiche l'état de commutation du volet de soufflage inférieur.

Allumé - ouvert

Éteint - fermé



ATTENTION

Ne pas essayer de régler manuellement le volet horizontal. Cela peut provoquer le dégât du mécanisme et entraîner la formation de condensation sur les sorties d'air.

Entretien et maintenance

Nettoyage de votre unité intérieure

 **AVANT LE NETTOYAGE OU L'ENTRETIEN**

ÉTEIGNEZ TOUJOURS VOTRE SYSTÈME DE CLIMATISEUR ET COUPEZ SON ALIMENTATION ÉLECTRIQUE AVANT LE NETTOYAGE OU L'ENTRETIEN.

 **ATTENTION**

Utilisez uniquement un chiffon doux et sec pour essuyer l'unité.

Si l'unité est particulièrement sale, vous pouvez utiliser un chiffon imbibé d'eau tiède pour l'essuyer.

- **Ne pas** utiliser de produits chimiques ou de chiffons chimiquement traités pour nettoyer l'unité
- **Ne pas** utiliser de benzène, de diluant pour peinture, de poudre à polir ou d'autres solvants pour nettoyer l'unité. Ils peuvent provoquer la fissuration ou la déformation de la surface en plastique.
- **Ne pas** nettoyer le panneau frontal au moyen de l'eau plus chaude que 40°C (104°F). Cela peut entraîner une déformation ou une décoloration du panneau.

Nettoyez votre filtre à air

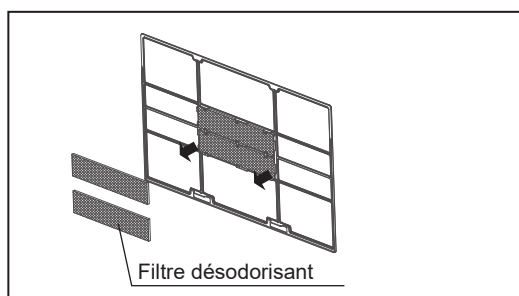
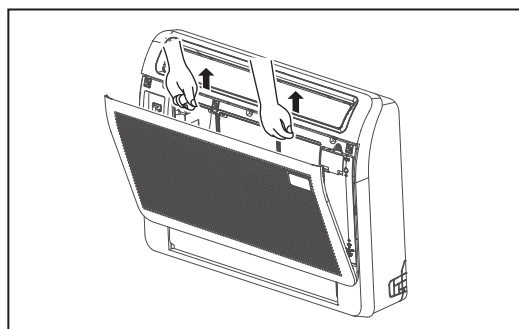
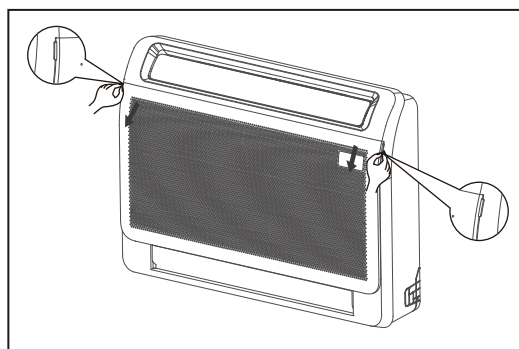
Un climatiseur obstrué peut réduire l'efficacité de refroidissement de votre unité et nuire à votre santé. Veillez à nettoyer le filtre une fois toutes les deux semaines.

 **AVERTISSEMENT : NE DEMONTEZ PAS NI NETTOYEZ LE FILTRE PAR VOUS-MÊME**

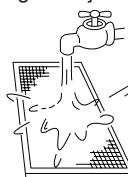
Le démontage et le nettoyage du filtre peuvent être dangereux. Le démontage et la maintenance doivent être effectués par un technicien certifié.

1. Tirez les poignées gauche et droite du panneau frontal, tirez le panneau vers l'extérieur et ouvrez-le.
2. Démontez le filtre à air.
Appuyez légèrement sur les griffes situées sur les côtés droit et gauche du filtre à air, puis tirez-les vers le haut.
3. Tenez les languettes du cadre et retirez les 4 griffes. (Le filtre à fonction spéciale peut être lavé à l'eau une fois tous les 6 mois. Il est recommandé de le remplacer une fois tous les 3 ans.)

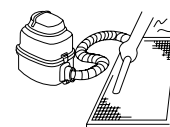
4. Nettoyez le filtre à air en aspirant la surface ou en le lavant à l'eau tiède avec un détergent doux.
5. Rincez le filtre avec de l'eau propre et laissez-le sécher à l'air. **NE PAS** laisser le filtre sécher à la lumière directe du soleil.
6. Réinstallez le filtre.



Si vous utilisez de l'eau, le côté de l'entrée doit être orienté vers le bas et éloigné du jet d'eau.



Si vous utilisez un aspirateur, le côté entrée doit faire face à l'aspirateur.

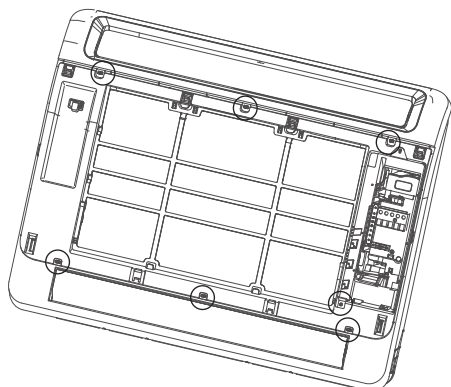


ATTENTION

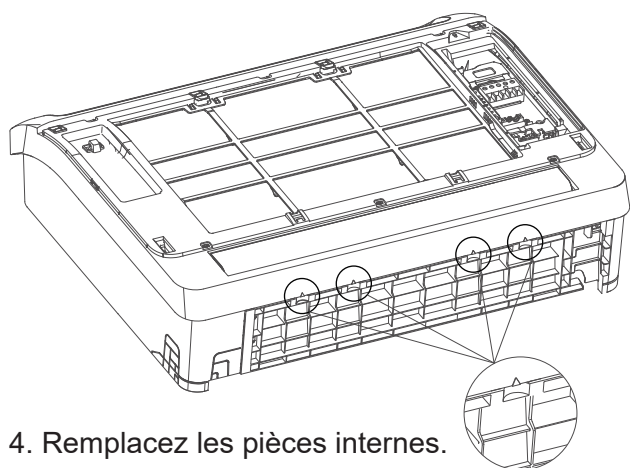
- Avant de remplacer le filtre ou de le nettoyer, éteignez l'unité et coupez son alimentation.
- Lors du retrait du filtre, ne pas toucher les parties métalliques de l'appareil. Les bords métalliques tranchants peuvent vous blesser.
- Ne pas utiliser de l'eau pour nettoyer l'intérieur de l'unité intérieure. Cela peut détruire l'isolation et provoquer un choc électrique.
- Ne pas exposer le filtre à la lumière directe du soleil lors d'un séchage. Cela peut rétrécir le filtre.
- Tout entretien et nettoyage de l'unité extérieure doit être effectué par un concessionnaire agréé ou un prestataire de services agréé.
- Toute réparation de l'appareil doit être effectuée par un revendeur agréé ou un prestataire de services agréé.

Remplacer les pièces internes

1. Tirez les poignées gauche et droite du panneau frontal, tirez le panneau vers l'extérieur et ouvrez-le.
2. Retirer les 7 vis du cadre frontal.



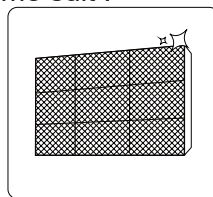
3. Boucler le bouton-pression indiqué par la flèche et retirer le cadre frontal.



4. Remplacez les pièces internes.
5. Installez le cadre frontal et les pièces du panneau.

Maintenance - Longues périodes de non-utilisation

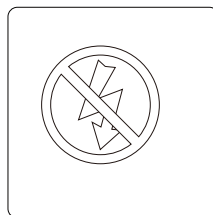
Si vous prévoyez de ne pas utiliser votre climatiseur pendant une période prolongée, procédez comme suit :



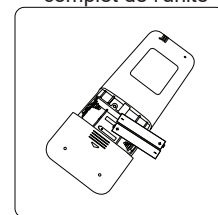
Nettoyer tous les filtres



Activer la fonction VENTILATION jusqu'au séchage complet de l'unité



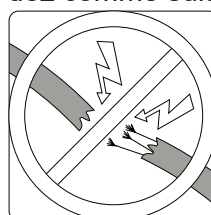
Éteindre l'unité et couper l'alimentation



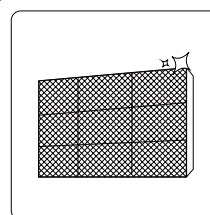
Retirer les piles de la télécommande

Entretien - Inspection présaisonnnière

Après de longues périodes de non-utilisation ou avant des périodes d'utilisation fréquente, procédez comme suit :



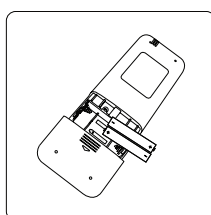
Vérifier les fils endommagés



Nettoyer tous les filtres



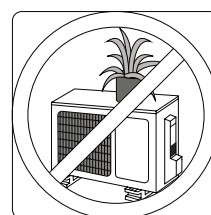
Vérifier les fuites



Remplacer les piles



Assurez-vous que rien ne bloque toutes les entrées et sorties d'air



REMARQUE : Ne pas étirer ou suspendre des objets à la sortie d'air.
Ne pas régler le déflecteur d'air automatique à la main ou étendre la main dans le conduit d'air.
Ne pas couvrir l'entrée et la sortie d'air de l'unité avec des objets.

Dépannage



PRÉCAUTIONS DE SÉCURITÉ

Si l'une des conditions suivantes se produit, éteignez votre unité immédiatement !

- Le câble d'alimentation est endommagé ou irrégulièrement chaud
- Vous sentez une odeur de brûlure
- L'unité émet des bruits forts ou anormaux
- Un fusible d'alimentation saute ou le disjoncteur se déclenche fréquemment
- De l'eau ou d'autres objets tombent dans ou hors l'unité.

NE PAS ESSAYER DE LES RÉPARER VOUS-MÊME ! CONTACTEZ IMMÉDIATEMENT UN FOURNISSEUR DE SERVICE AUTORISÉ !

Problèmes courants

Les problèmes suivants ne sont pas un dysfonctionnement et, dans la plupart des situations, ne nécessiteront pas de réparations.

Problème	Causes possibles
L'unité ne s'allume pas lorsque vous appuyez sur le bouton ON/OFF	L'unité dispose d'une fonction de protection de 3 minutes qui empêche la surcharge de l'unité. L'unité ne peut pas être redémarrée dans les trois minutes suivant sa mise hors tension.
	Modèles de refroidissement et de Chauffage : Si les voyants de fonctionnement et de PRE-DEF (Préchauffage/Dégivrage) sont allumés, ou si le voyant de fonctionnement est allumé et que l'écran LCD affiche « dF », la température extérieure est trop froide et le vent anti-froid de l'appareil est activé afin de dégivrer l'unité.
L'unité passe du mode COOL au mode FAN.	L'unité peut modifier son réglage pour empêcher la formation de givre sur l'unité. Une fois que la température augmente, l'unité recommencera à fonctionner dans le mode précédemment sélectionné.
	La température réglée a été atteinte à tel point que l'unité désactive le compresseur. L'unité continuera à fonctionner lorsque la température fluctue à nouveau.
L'unité intérieure émet une brume blanche	Dans les régions humides, une grande différence de température entre l'air de la chambre et l'air conditionné peut provoquer une brume blanche.
Les unités intérieure et extérieure émettent une brume blanche	Lorsque l'unité redémarre en mode HEAT après le dégivrage, une brume blanche peut être émise en raison de l'humidité générée par le processus de dégivrage.
L'unité intérieure fait du bruit	Un grincement se fait entendre lorsque le système est éteint ou en mode COOL. Le bruit se fait également entendre lorsque la pompe de vidange (optionnelle) est en marche.
	Un grincement peut se produire après avoir fait fonctionner l'appareil en mode HEAT en raison de la dilatation et de la contraction des pièces en plastique de l'unité.
L'unité intérieure et l'unité extérieure font du bruit	Faible sifflement pendant le fonctionnement : Ceci est normal et est causé par le gaz réfrigérant circulant dans les unités intérieure et extérieure.
	Faible sifflement lorsque le système démarre, vient de s'arrêter de fonctionner ou est en cours de dégivrage : Ce bruit est normal et est causé par l'arrêt ou le changement de direction du gaz réfrigérant.
	Bruit de grincement : L'expansion et la contraction normales des pièces en plastique et en métal causées par les changements de température pendant le fonctionnement peuvent provoquer des bruits de grincement.

Problème	Causes possibles
L'unité extérieure fait du bruit	L'unité émettra différents sons en fonction de son mode de fonctionnement actuel.
Des poussières sont émises par l'unité intérieure ou extérieure	Des poussières pourraient s'accumuler sur l'unité pendant une longue période de mise hors service, qui seront émises lorsque l'unité est allumée. Cela peut être atténué en couvrant l'unité pendant une longue période de mise hors service.
L'unité dégage une mauvaise odeur.	L'unité peut absorber les odeurs de l'environnement (tel que les meubles, la cuisine, les cigarettes, etc.) qui seront émises pendant le fonctionnement.
	Les filtres de l'unité sont moisissés et doivent être nettoyés.
Le ventilateur de l'unité extérieure ne fonctionne pas	Pendant le fonctionnement, la vitesse du ventilateur est contrôlée pour optimiser le fonctionnement du produit.

REMARQUE : Si le problème persiste, contactez un concessionnaire local ou votre centre de service client le plus proche. Fournissez-leur une description détaillée du dysfonctionnement de l'unité ainsi que votre numéro de modèle.

Dépannage

En cas de présence d'un problème, veuillez vérifier les points suivants avant de contacter une agence de réparation.



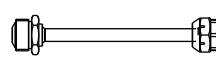




Problème	Causes possibles	Solution
Mauvaises performances de refroidissement	La température réglée peut être supérieure à la température ambiante de la chambre	Abaissez la température réglée
	L'échangeur de chaleur de l'unité intérieure ou extérieure est sale	Nettoyez l'échangeur de chaleur concerné
	Le filtre à air est sale	Retirez le filtre et nettoyez-le conformément aux instructions
	L'entrée ou la sortie d'air de l'une ou l'autre des unités est bloquée	Éteignez l'unité, retirez l'obstruction et rallumez-la
	Les portes et les fenêtres sont ouvertes	Assurez-vous que toutes les portes et fenêtres sont fermées pendant le fonctionnement de l'appareil
	La chaleur excessive est générée par la lumière du soleil	Fermez les fenêtres et les rideaux pendant les périodes de forte chaleur ou d'ensoleillement intense
	Trop de sources de chaleur dans la chambre (personnes, ordinateurs, appareils électroniques, etc.)	Réduisez la quantité de sources de chaleur
	Faible niveau de réfrigérant en raison d'une fuite ou d'une utilisation prolongée	Vérifiez les fuites, rescellez si nécessaire et faites l'appoint de réfrigérant


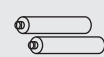
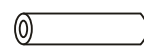
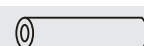
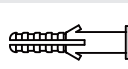




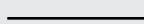

Problème	Causes possibles	Solution
L'unité ne fonctionne pas	Coupure de courant	Attendez que le courant soit rétabli
	L'alimentation est coupée	Mettez l'appareil sous tension
	Le fusible est brûlé	Remplacez le fusible
	Les piles de télécommandes sont mortes	Remplacer les piles
	La protection de 3 minutes de l'unité a été activée	Attendez trois minutes après le redémarrage de l'unité
	La minuterie est activée	Désactivez la minuterie
L'unité démarre et s'arrête fréquemment.	Il y a trop ou trop peu de réfrigérant dans le système.	Vérifiez les fuites et rechargez le système avec du réfrigérant.
	Du gaz incompressible ou de l'humidité a pénétré dans le système.	Évacuez et rechargez le système avec du réfrigérant.
	Le circuit du système est bloqué.	Identifiez le circuit bloqué et remplacez la pièce défectueuse de l'équipement.
	Le compresseur est en panne	Remplacez le compresseur
	La tension est trop élevée ou trop basse	Installez un manostat pour réguler la tension
Mauvaises performances de chauffage	La température extérieure est extrêmement basse	Utilisez un appareil de chauffage d'appoint
	L'air froid entre par les portes et les fenêtres	Assurez-vous que toutes les portes et fenêtres sont fermées pendant l'utilisation
	Faible niveau de réfrigérant en raison d'une fuite ou d'une utilisation prolongée	Vérifiez les fuites, rescellez si nécessaire et faites l'appoint de réfrigérant
Les voyants lumineux continuent de clignoter	L'unité peut arrêter de fonctionner ou continuer à fonctionner en toute sécurité. Si les voyants lumineux continuent de clignoter ou si des codes d'erreur apparaissent, attendez environ 10 minutes. Le problème peut se résoudre tout seul.	
Le code d'erreur apparaît et commence par les lettres comme suit dans la fenêtre de l'unité intérieure : <ul style="list-style-type: none"> • E(x), P(x), F(x) • EH(xx), EL(xx), EC(xx) • PH(xx), PL(xx), PC(xx) 	Si ce n'est pas le cas, coupez puis réactivez l'alimentation. Mettez l'unité sous tension Si le problème persiste, coupez l'alimentation et contactez votre centre de service client le plus proche.	

REMARQUE : Si votre problème persiste après avoir effectué les vérifications et les diagnostics ci-dessus, éteignez immédiatement votre unité et contactez un centre de service agréé.

Accessoires

Le système de climatisation est livré avec les accessoires suivants. Utilisez toutes les pièces et tous les accessoires d'installation pour installer le climatiseur. Une installation incorrecte peut entraîner une fuite d'eau, un choc électrique et un incendie, ou entraîner une défaillance de l'équipement. Les articles non inclus avec le climatiseur doivent être achetés séparément.

Nom des accessoires	Qté(pc)	Forme
Manuel	2~4	
Connecteur de transfert (ΦΦ12,7-ΦΦ15,9)(certains modèles)	1	
Connecteur de transfert (ΦΦ6,35-ΦΦ9,52)(certains modèles)	1	
Connecteur de transfert (ΦΦ9,52-ΦΦ12,7)(certains modèles)	1	
Anneau magnétique (enroulez deux fois les fils électriques S1 & S2 (P & Q & E) autour de l'anneau magnétique) (certains modèles)	1	 S1&S2(P&Q&E)
Anneau magnétique (Accrochez-le sur le câble de liaison entre l'unité intérieure et l'unité extérieure après installation.) (certains modèles)	1	
Télécommande filaire (certains modèles)	1	

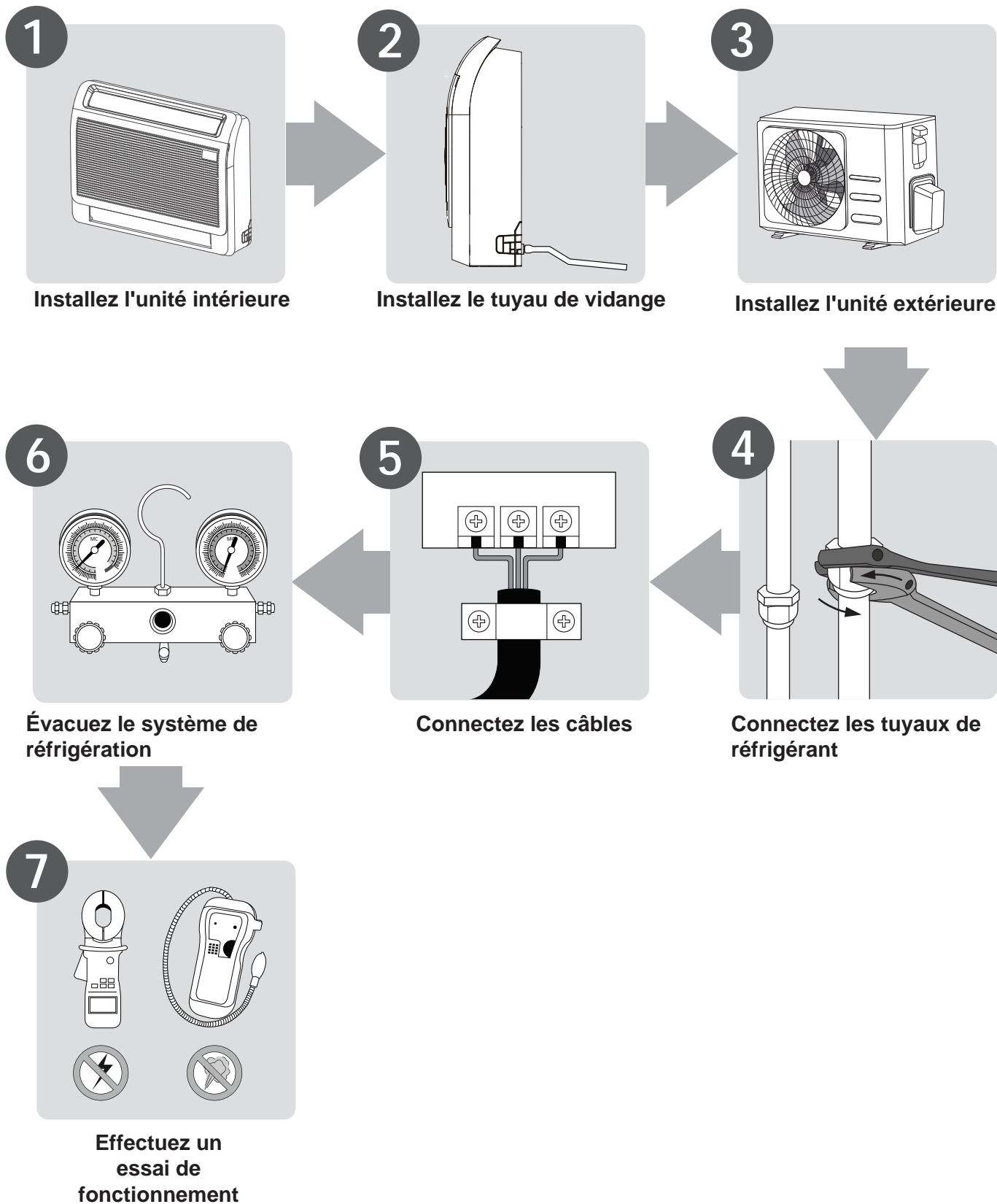
Nom des accessoires	Q'té(pc)	Forme
Télécommande (certains modèles)	1	
Pile (certains modèles)	2	
Gaine insonorisée / isolante (certains modèles)	2	
Tuyau thermiquement isolé	1	
Ancre	6 (selon les modèles)	
Vis de fixation de la plaque de montage	6 (selon les modèles)	
Joint de vidange (certains modèles)	1	
Anneau d'étanchéité (certains modèles)	1	
Écrou en cuivre	2	
Câble rouge court-circuité (certains modèles)	1	
Filtre désodorisant (certains modèles)	2	

Accessoires optionnels

- Il existe deux types de télécommandes : celle filaire et celle sans fil. Sélectionnez une télécommande en fonction des préférences et des exigences du client et installez-la à un endroit approprié. Reportez-vous aux catalogues et à la documentation technique pour obtenir des conseils sur la sélection d'une télécommande appropriée.

Nom	Forme	Quantité (PC)
Assemblage de tuyau de raccordement	Côté liquide	Φ6,35 (1/4 po)
		Φ 9,52 (3/8 pouce)
		Φ 12,7 (1/2 pouce)
	Côté gaz	Φ 9,52 (3/8 pouce)
		Φ 12,7 (1/2 pouce)
		Φ 16 (5/8 pouce)
		Φ 19 (3/4 pouce)
	Φ 22 (7/8 pouce)	
		Pièces que vous devez acheter séparément. Consultez le concessionnaire au sujet de la taille de tuyau appropriée de l'unité que vous avez achetée.

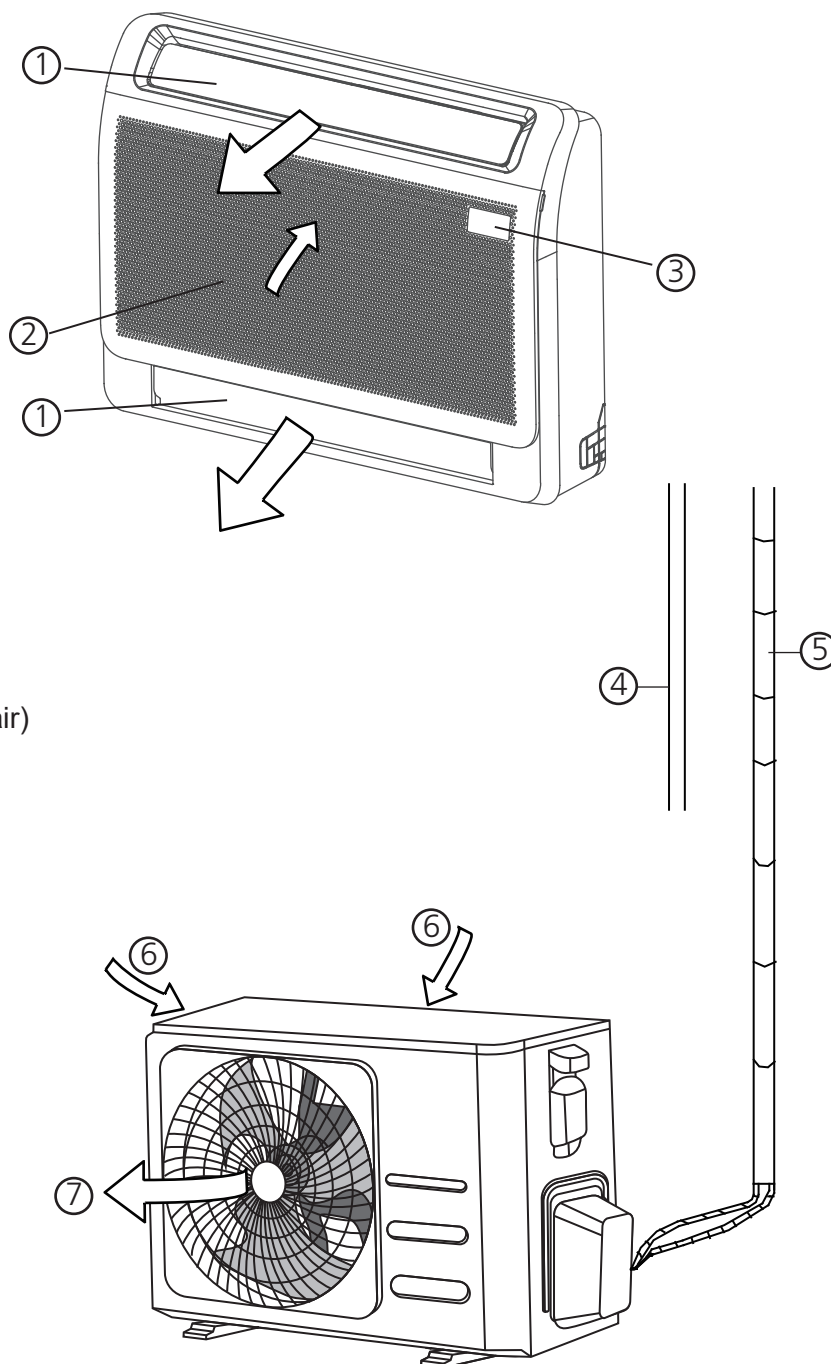
Résumé de l'Installation



Résumé de l'Installation

Pièces du dispositif

NOTE : L'installation doit être effectuée conformément aux exigences des normes locales et nationales. L'installation peut être légèrement différente selon les zones.



- ① Volet de flux d'air (à la sortie d'air)
- ② Entrée d'air (avec filtre à air)
- ③ Panneau d'affichage
- ④ Tuyau de vidange

- ⑤ Tuyau de raccordement
- ⑥ Entrée d'air
- ⑦ Sortie d'air

REMARQUE SUR LES ILLUSTRATIONS

- La tuyauterie peut être raccordée depuis les côtés gauche, droit, arrière et inférieur de l'unité. Veuillez sélectionner la méthode de tuyauterie en fonction de la demande réelle.
- Les illustrations de ce manuel sont fournies à titre explicatif. La forme réelle de votre unité intérieure peut être légèrement différente. La forme réelle prévaudra.

Installation de l'unité intérieure

Instructions d'installation - unité intérieure

REMARQUE : L'installation du panneau doit être effectuée une fois la tuyauterie et le câblage terminés.

Étape 1 : Sélectionnez l'emplacement d'installation

Avant d'installer l'unité intérieure, vous devez choisir un emplacement approprié. Les normes suivantes vous aideront à choisir un emplacement approprié pour l'unité.

Les emplacements d'installation appropriés répondent aux normes suivantes :

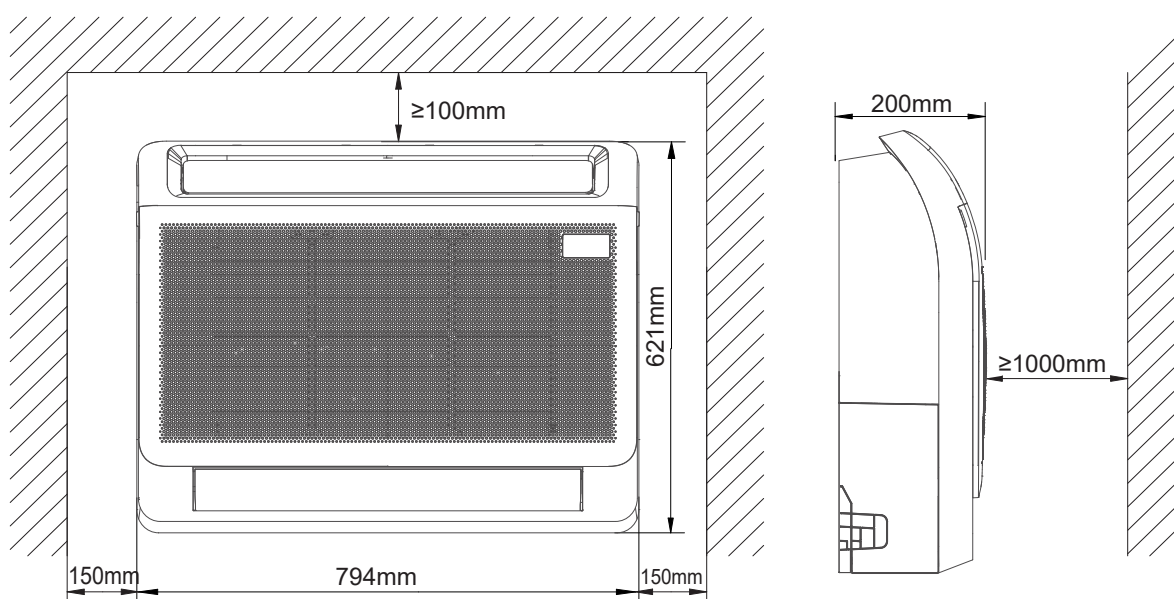
- ✓ Il y a assez d'espace pour l'installation et la maintenance.
- ✓ Il y a assez d'espace pour raccorder la conduite et le tuyau d'évacuation.
- ✓ Le plafond est horizontal et sa structure peut supporter le poids de l'unité intérieure.
- ✓ L'entrée et la sortie d'air ne sont pas bloquées.
- ✓ Toute la chambre peut être remplie de flux d'air.
- ✓ Il n'y a pas de rayonnement direct des radiateurs.

Distances recommandées de l'unité intérieure

La distance entre les unités intérieures montées doit respecter les spécifications illustrées dans le schéma suivant.

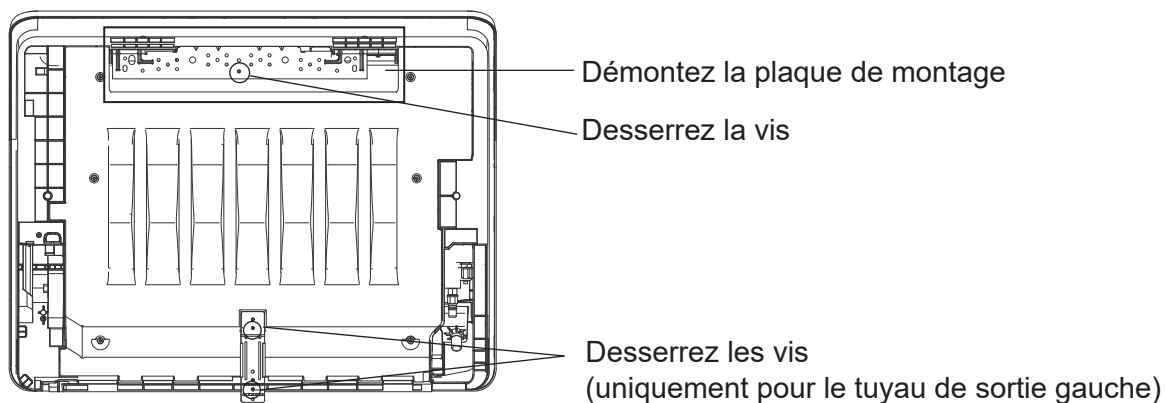
NE PAS INSTALLER l'unité dans les endroits suivants :

- ⊗ Zones avec forage pétrolier ou fracturation hydraulique
- ⊗ Zones côtières à forte teneur en sel dans l'air
- ⊗ Zones avec des gaz caustiques dans l'air, comme les sources chaudes
- ⊗ Zones qui connaissent des fluctuations de puissance, telles que les usines
- ⊗ Espaces clos, tels que les armoires
- ⊗ Les cuisines qui utilisent le gaz naturel
- ⊗ Zones à fortes ondes électromagnétiques
- ⊗ Zones qui stockent des matériaux ou des gaz inflammables
- ⊗ Chambres à forte humidité, telles que salle de bain ou buanderies



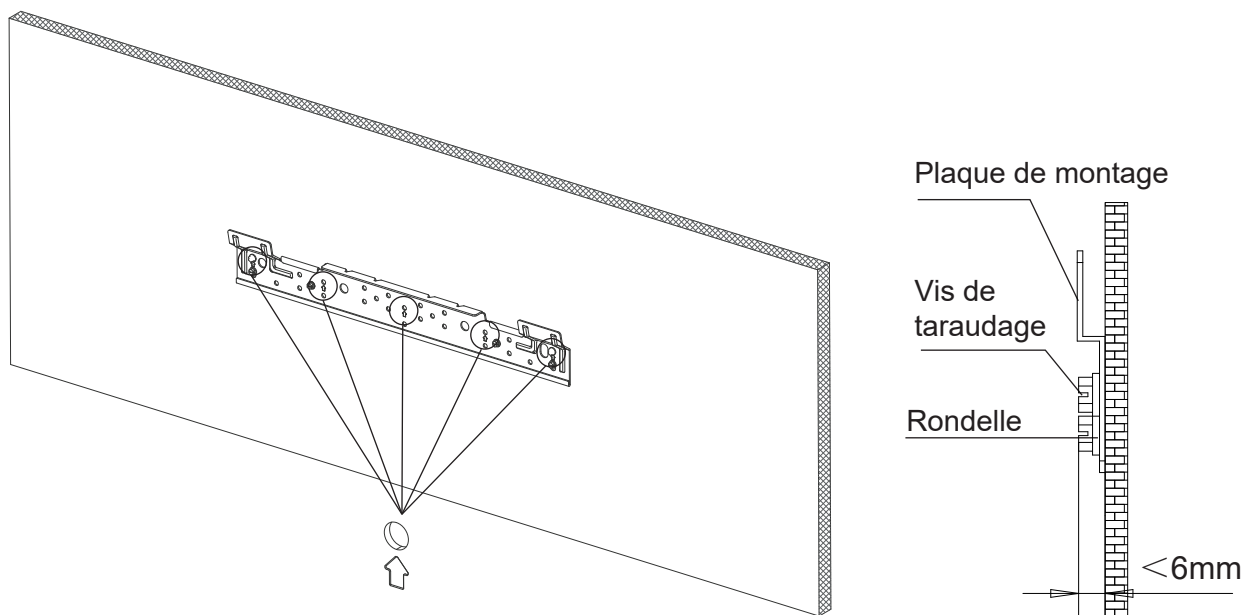
Étape 2 : Installation du corps principal

- Après avoir desserré les vis, démontez la plaque de montage de l'appareil.

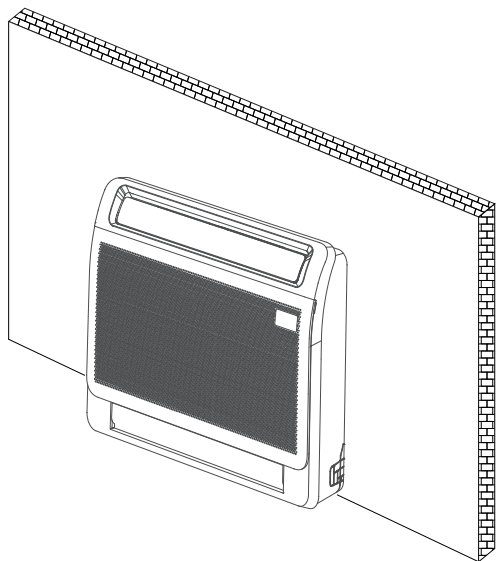


REMARQUE : Si le tuyau sort à gauche, il est nécessaire de desserrer les vis sur la plaque de montage inférieure. Si le tuyau sort dans d'autres directions, cela n'est pas nécessaire.

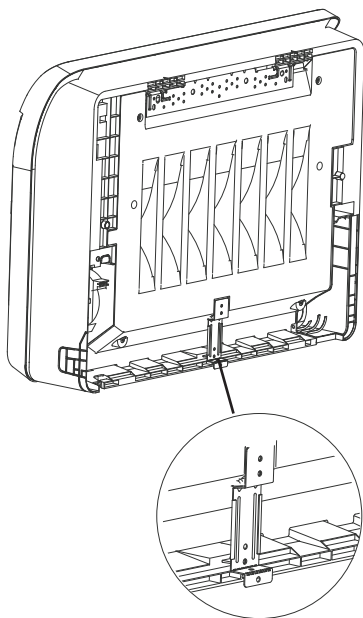
- Fixez la plaque de montage avec une vis autotaraudeuse dans le mur.
REMARQUE : Il est recommandé de le fixer dans le mur selon le trou de suspension indiqué par la flèche sur la plaque de montage. La plaque de montage doit être installée horizontalement.



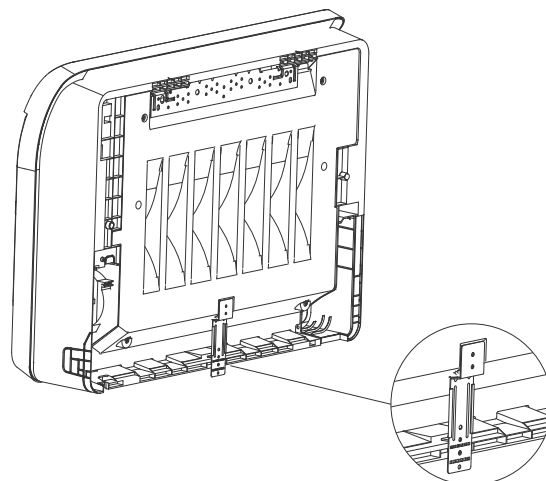
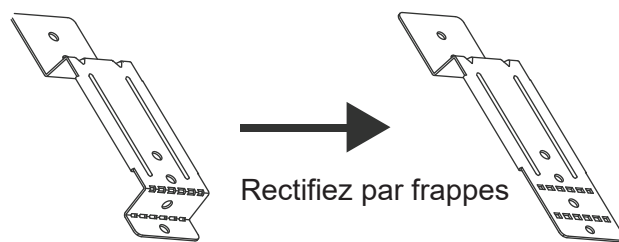
- Accrochez l'unité intérieure sur la plaque de montage.
(Le bas du corps peut toucher le sol ou rester suspendu, mais le corps doit être installé verticalement.)
Remarque: après l'installation, l'unité doit être maintenue à l'horizontale sans inclinaison.



- Installation de la plaque de montage du fond
Pose sans plinthe
La plaque de montage inférieure est fixée directement au mur.



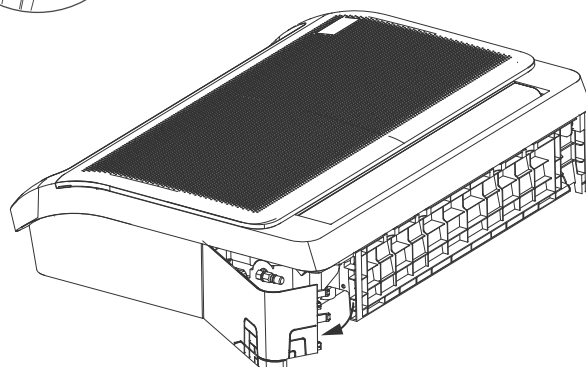
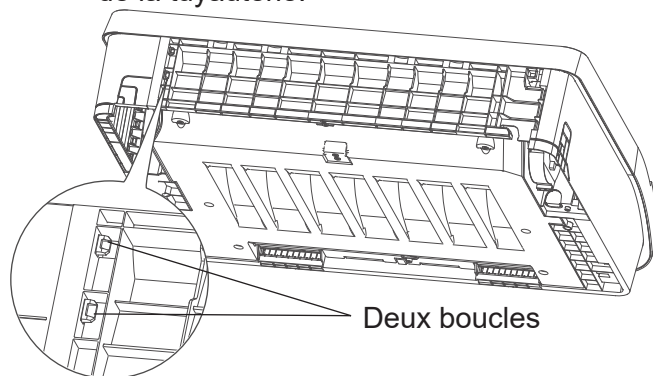
Pose avec plinthe
Rectifiez la plaque de montage inférieure par des frappes avec un outil et fixez-la sur la plinthe.



Étape 3 : Démontage de l'unité intérieure pour raccorder les tuyaux

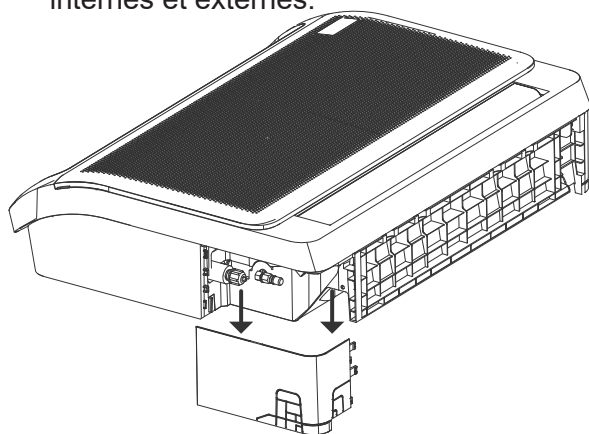
1. Ouvrez la plaque de couverture de la tuyauterie inférieure

Appuyez sur les deux boucles du bouton et maintenez-les enfoncées, puis faites-les pivoter pour ouvrir la plaque de couverture de la tuyauterie.



2. Retirez la plaque de recouvrement.

Retirez la plaque de recouvrement des tuyaux et installez les tuyaux de raccordement internes et externes.



REMARQUE : Installez d'abord la tuyauterie de petite taille, puis la tuyauterie de grande taille.

REMARQUE : Toutes les figures dans ce manuel sont uniquement à des fins de démonstration. Le climatiseur que vous avez acheté peut être de conception légèrement différente, mais de forme similaire.

Étape 4 : Définition de l'adresse réseau (certains modèles)

(uniquement en cas de cartes multifonctions en option avec interface XYE)

Chaque climatiseur en réseau n'a qu'une seule adresse réseau pour se distinguer. Le code d'adresse du climatiseur dans le réseau local est défini par les commutateurs de code F1 et ENC3 sur cartes multifonctions Principal de l'unité intérieure, et la plage définie est de 0 à 63. (avec carte multifonction en option)

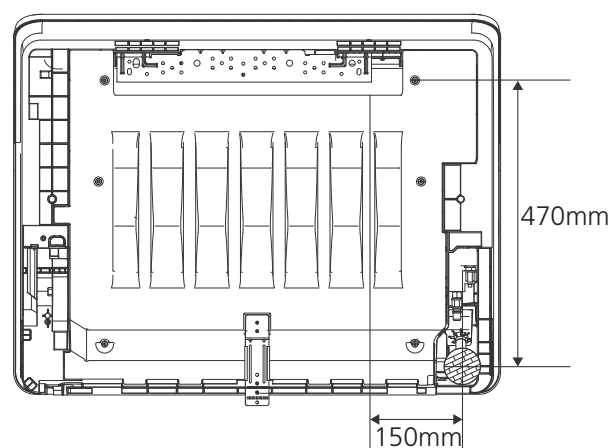
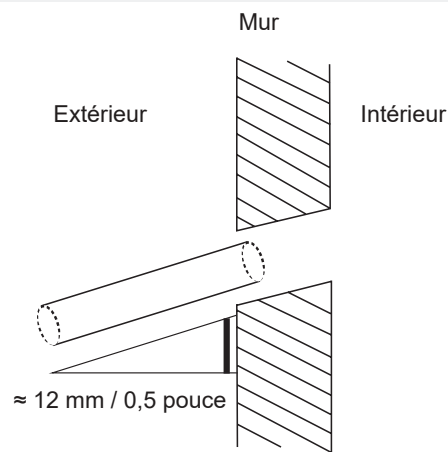
Ensemble d'interrupteurs à bascule		Code d'adresse réseau
F1	ENC3	
		00~15
		16~31
		32~47
		48-63

Étape 5 : Percez un trou dans le mur pour la tuyauterie de raccordement

- Déterminez l'emplacement du trou dans le mur en fonction de l'emplacement de l'unité extérieure.
- À l'aide d'une perceuse de 65 mm (2,5 pouces) ou 90 mm (3,54 pouces) (selon les modèles), percez un trou dans le mur. Assurez-vous que le trou est percé à un faible angle vers le bas, de sorte que l'extrémité extérieure du trou soit plus basse que l'extrémité intérieure d'environ 12 mm (0,5 pouces). Cela assurera un bon drainage de l'eau.
- Placez la manchette de protection murale dans le trou. Cela protège les bords du trou et aidera à sceller le trou lorsque vous terminez le processus d'installation.

⚠ ATTENTION

Lorsque vous percez le trou dans le mur, veillez à éviter les fils, la plomberie et autres objets sensibles.



Position et taille recommandées du tuyau de sortie arrière à travers le trou du mur

Étape 6 : Connecter le tuyau de vidange

Le tuyau de vidange sert à évacuer l'eau de l'unité. Une mauvaise installation peut causer le dégât de l'appareil et des biens.

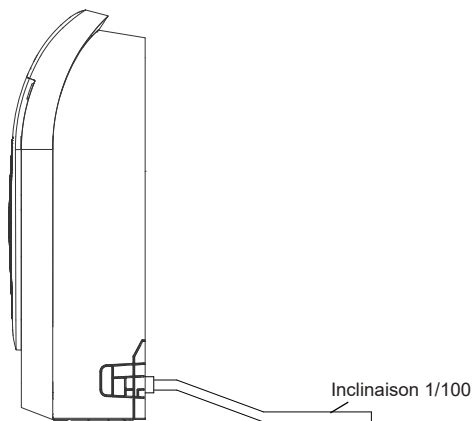
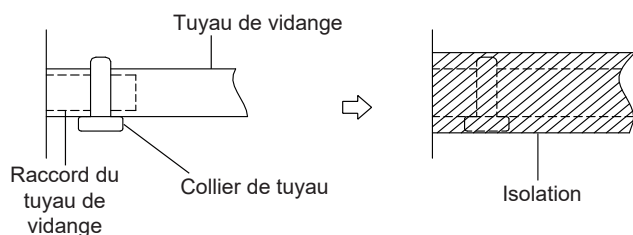
⚠ ATTENTION

- Isolez toutes les tuyauteries pour éviter la condensation, ce qui pourrait entraîner un dégât d'eau.
- Si le tuyau de vidange est plié ou mal installé, de l'eau peut fuir et provoquer un dysfonctionnement de l'interrupteur de niveau d'eau.
- En mode HEAT, l'unité extérieure déchargera de l'eau. Assurez-vous que le tuyau de vidange est placé dans une zone appropriée pour éviter le dégât d'eau et un glissement.
- NE PAS tirer avec force sur le tuyau de vidange. Cela pourrait le déconnecter.

REMARQUE SUR L'ACHAT DE TUYAUX

L'installation nécessite un tube en polyéthylène (diamètre extérieur = 3,7-3,9 cm, diamètre intérieur = 3,2 cm), qui peut être obtenu auprès de votre quincaillerie ou revendeur local.

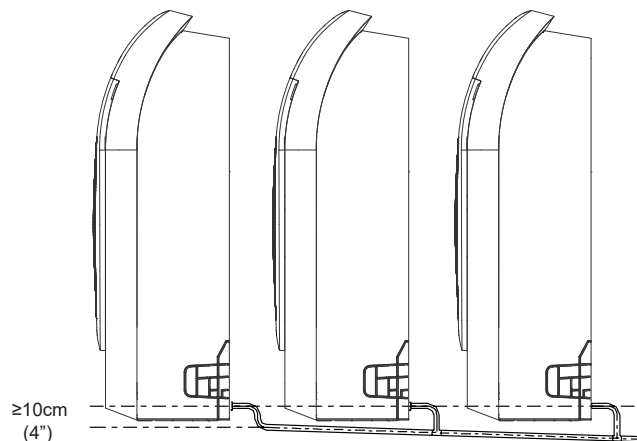
1. Couvrez le tuyau de vidange avec une isolation thermique pour éviter la condensation et les fuites.
2. Fixez l'embout du tuyau de vidange au tuyau de sortie de l'unité. Gainez l'embout du tuyau et fixez-le fermement avec un collier de tuyau.



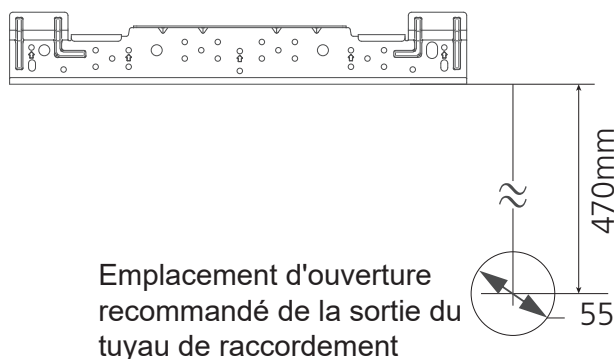
REMARQUE SUR L'INSTALLATION DU TUYAU DE VIDANGE

- Lors de l'utilisation d'un tuyau d'évacuation prolongé, serrez la connexion intérieure avec un tube de protection supplémentaire. Cela l'empêche de se détacher.
- Le tuyau d'évacuation doit être incliné vers le bas à une pente d'au moins 1/100 pour empêcher l'eau de refluer dans le climatiseur.
- Une installation incorrecte peut entraîner un retour d'eau dans l'appareil et une inondation.

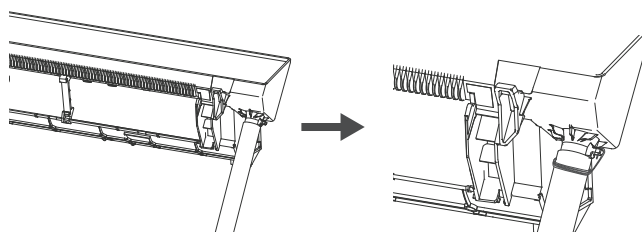
REMARQUE : Lors du raccordement de plusieurs tuyaux de drainage, installez les tuyaux comme illustré.



Afin d'assurer un drainage en douceur, la différence de hauteur entre la sortie murale et la plaque de suspension doit être supérieure à 470 mm.

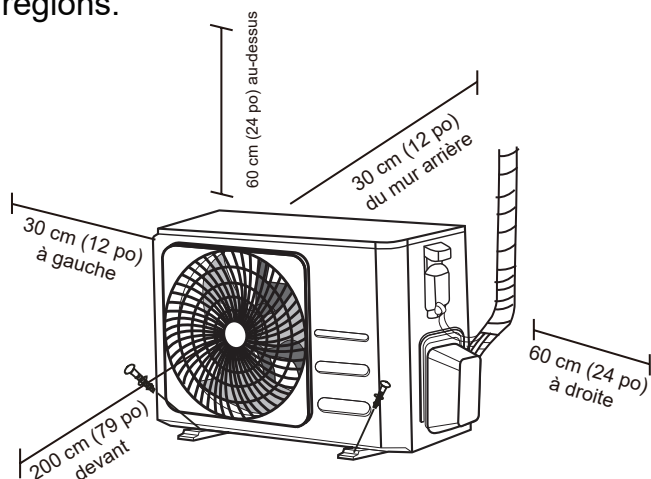


Exigences de fixation des tuyaux de drainage
Lors de l'installation du tuyau de drainage (non fourni), veuillez le fixer avec une attache ou une corde.



Installation de l'unité extérieure

Installez l'unité en suivant les codes et réglementations locaux, il peut y avoir de légères différences entre les différentes régions.



Instructions d'installation - unité extérieure

Étape 1 : Sélectionnez l'emplacement d'installation

Avant d'installer l'unité extérieure, vous devez choisir un emplacement approprié. Les normes suivantes vous aideront à choisir un emplacement approprié pour l'unité.

Les emplacements d'installation appropriés répondent aux normes suivantes :

- ✓ Répond à toutes les exigences d'espace indiquées dans les exigences d'espace d'installation ci-dessus.
- ✓ Une bonne circulation d'air et une bonne ventilation
- ✓ Ferme et solide—l'emplacement peut supporter l'unité et sans vibration
- ✓ Le bruit de l'unité ne dérangera pas les autres
- ✓ Protégé de l'exposition directe au soleil ou à la pluie pendant une période prolongée
- ✓ Lorsque des chutes de neige sont prévues, prenez les mesures appropriées pour éviter l'accumulation de glace et le dégât des bobines.

NE PAS INSTALLER l'unité dans les endroits suivants :

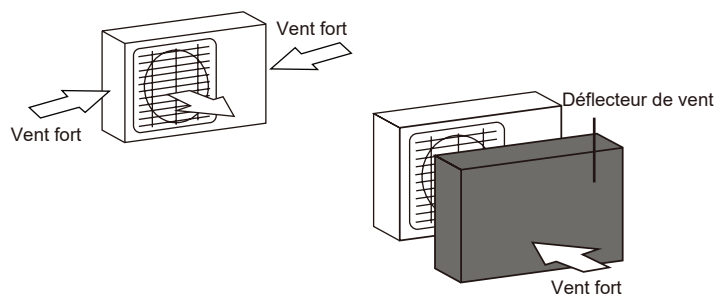
- ⊘ Près d'un obstacle qui obstruera les entrées et les sorties d'air
- ⊘ Près d'une rue publique, de zones surpeuplées ou là où le bruit de l'unité dérangera les autres
- ⊘ Près des animaux ou des plantes de manière qu'ils ou elles seront blessés par l'échappement d'air chaud.
- ⊘ Près de toute source de gaz combustible
- ⊘ Dans un endroit qui est exposé à de grandes quantités de poussière
- ⊘ Dans un endroit exposé à une quantité excessive d'air salin

CONSIDÉRATIONS SPÉCIALES POUR LES CONDITIONS MÉTÉOROLOGIQUES EXTRÊMES

Si l'unité est exposée au vent violent :

Installer l'unité de sorte que le ventilateur de sortie d'air soit à un angle de 90° par rapport à la direction du vent. Si nécessaire, construire une barrière devant l'unité pour la protéger du vent extrêmement violent.

Voir les schémas ci-dessous.



Si l'unité est fréquemment exposée à de fortes pluies ou à de la neige :

Construisez un abri au-dessus de l'appareil pour le protéger de la pluie ou de la neige. Veillez à ne pas obstruer le flux d'air autour de l'appareil.

Si l'unité est fréquemment exposée à l'air salé (bord de mer):

Utilisez une unité extérieure spécialement conçue pour résister à la corrosion.

Étape 2 : Installez le joint de vidange (unité de pompe à chaleur uniquement)

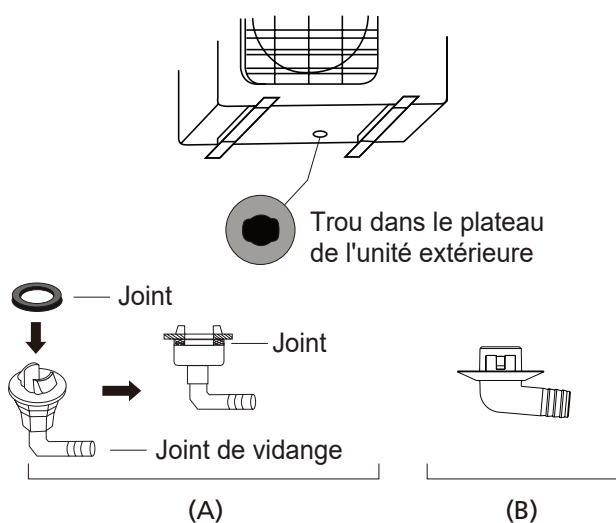
Avant de boulonner l'unité extérieure en place, vous devez installer le joint de vidange au bas de l'unité. Notez qu'il existe deux types de joints de vidange différents selon le type d'unité extérieure.

Si le joint de vidange est livré avec un joint en caoutchouc (voir la Fig. A), procédez comme suit :

1. Installez le joint en caoutchouc à l'extrémité du joint de vidange qui se connectera à l'unité extérieure.
2. Insérez le joint de vidange dans le trou du bac de base de l'unité.
3. Faites pivoter le joint de vidange de 90° jusqu'à ce qu'il s'enclenche en place face à l'avant de l'appareil.
4. Connectez une rallonge de tuyau de vidange (non incluse) au joint de vidange pour rediriger l'eau de l'appareil en mode chauffage.

Si le joint de vidange n'est pas fourni avec un joint en caoutchouc (voir la Fig. B), procédez comme suit :

1. Insérez le joint de vidange dans le trou du bac de base de l'appareil. Le joint de vidange s'enclenchera en place.
2. Connectez une rallonge de tuyau de vidange (non incluse) au joint de vidange pour rediriger l'eau de l'appareil en mode chauffage.



! Dans les climats froids

Dans les climats froids, assurez-vous que le tuyau de vidange est aussi vertical que possible pour assurer un drainage rapide de l'eau. Si l'eau s'écoule trop lentement, elle peut geler dans le tuyau et inonder l'unité.

Étape 3 : Ancrez l'unité extérieure

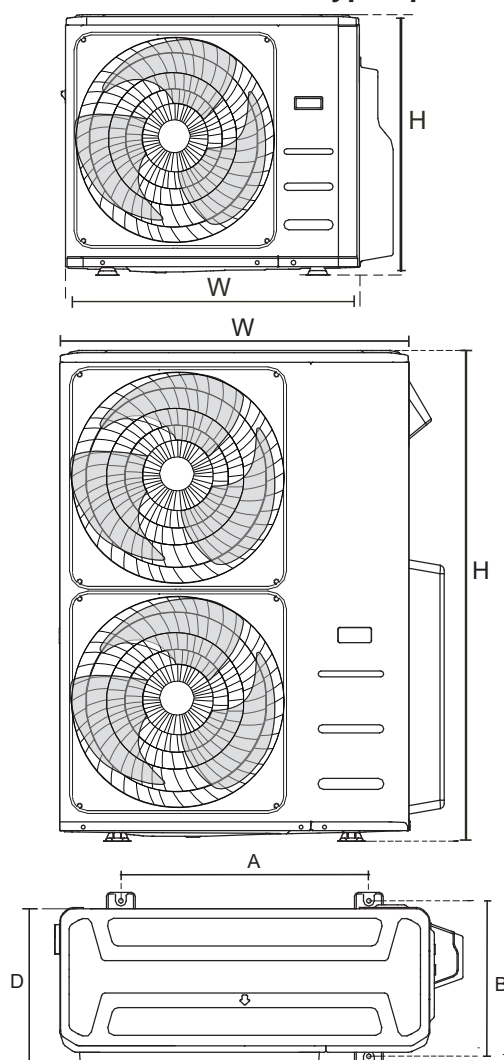
L'unité extérieure peut être ancrée au sol ou à un support mural avec les boulons (M10). Préparez la base d'installation de l'unité selon les dimensions ci-dessous.

DIMENSIONS DE MONTAGE DE L'UNITÉ

Voici une liste des différentes tailles d'unités extérieures et la distance entre leurs pieds de montage. Préparez la base d'installation de l'unité selon les dimensions ci-dessous.

Types d'unité extérieure et Spécifications

Unité Extérieure de Type Split



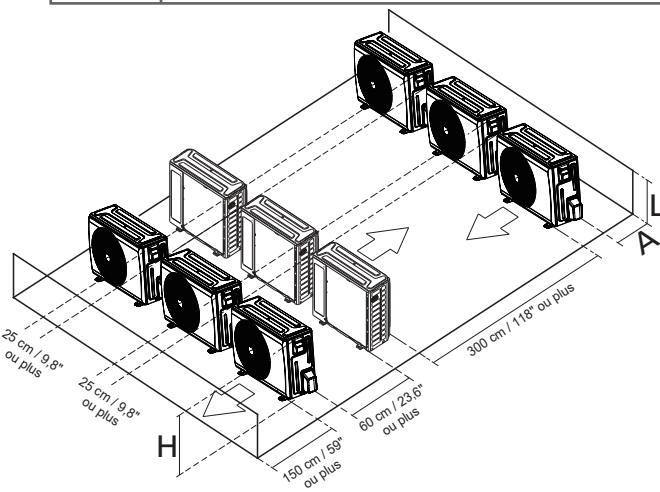
(en : mm/pouce)

Dimensions de l'Unité Extérieure W x H x D	Dimensions de Montage	
	Distance A	Distance B
765x555x303 (30.1x21.8x11.9)	452 (17.8)	286(11.3)
805x554x330 (31.7x21.8x12.9)	511 (20.1)	317 (12.5)

Rangées d'installation en série

Les relations entre H, A et L sont les suivantes.

	L	A
L ≤ H	$L \leq 1/2H$	25 cm / 9,8" ou plus
	$1/2H < L \leq H$	30 cm / 11,8" ou plus
L > H	Installation impossible	



Connexion de la tuyauterie de réfrigérant

Lors du raccordement de la tuyauterie de réfrigérant, ne pas laisser de substances ou de gaz autres que le réfrigérant spécifié pénétrer dans l'unité. La présence d'autres gaz ou substances réduira la capacité de l'unité et peut provoquer une pression anormalement élevée dans le cycle de réfrigération. Cela peut provoquer des explosions et des dommages .

Remarque sur la longueur du tuyau

Assurez-vous que la longueur du tuyau de réfrigérant, le nombre de coudes et la hauteur de chute entre les unités intérieures et extérieures répondent aux exigences indiquées dans le tableau suivant :

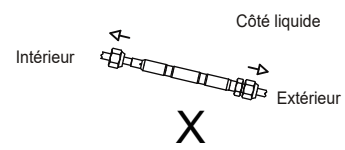
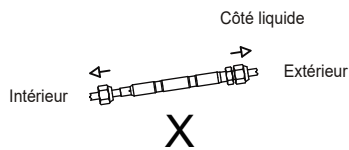
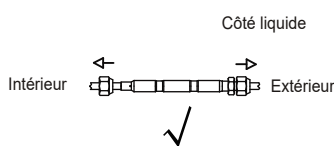
La longueur maximale et la hauteur de chute sont basées sur les modèles. (en : m/pi.)

Type de modèle	Capacité (Btu/h)	Longueur de la tuyauterie	Hauteur de chute maximale
UE Inverter split type	<15K	25/82	10/32.8
	≥15K - <24K	30/98.4	20/65.6
	≥24K - <36K	50/164	25/82
	≥36K - ≤60K	75/246	30/98.4

⚠ ATTENTION

Marquez la plaque signalétique avec l'orifice installé (pour certains modèles).

- Veuillez acheter les raccords en respectant scrupuleusement les exigences du manuel.
- Reportez-vous au schéma lors de l'installation.



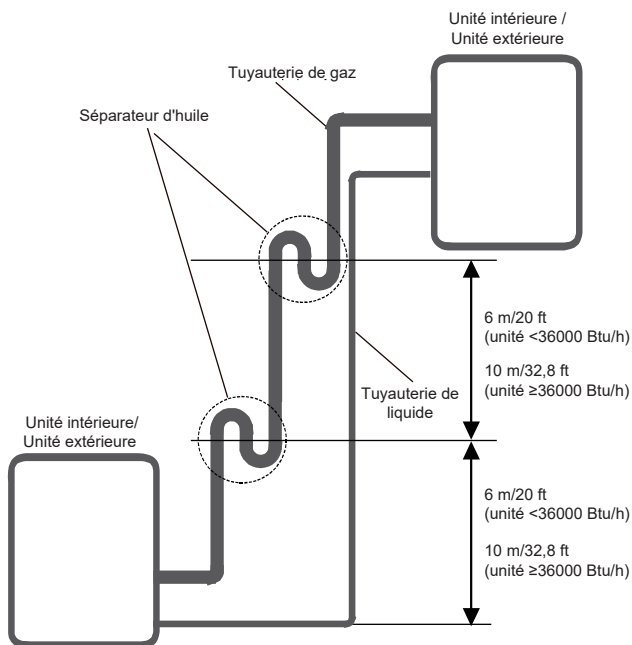
⚠ ATTENTION

Séparateurs d'huile

Si l'huile reflue dans le compresseur de l'unité extérieure, cela peut entraîner une compression du liquide ou une détérioration du retour d'huile. Des séparateurs d'huile dans la tuyauterie de gaz ascendante peuvent l'empêcher.

Un séparateur d'huile doit être installé tous les 6 m (20 pieds) de colonne montante de ligne d'aspiration verticale (unité < 36 000 Btu/h).

Un séparateur d'huile doit être installé tous les 10 m (32,8 pieds) de colonne montante de la ligne d'aspiration verticale (unité \geq 36 000 Btu/h).



Instructions de connexion - Tuyauterie de réfrigérant

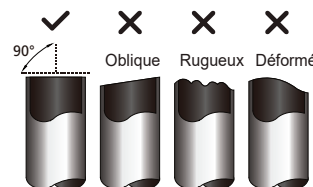
⚠ ATTENTION

- Le tuyau de branchement doit être posé horizontalement. Un angle supérieur à 10° peut entraîner un dysfonctionnement.
- **NE PAS POSER** le tuyau de raccordement avant d'avoir installé les unités intérieure et extérieure.
- Isolez les conduites de gaz et de liquide pour éviter les fuites d'eau.

Étape 1 : Coupez les tuyaux

Lors de la préparation des tuyaux de réfrigérant, veillez à les couper et à les évaser correctement. Cela garantira un fonctionnement efficace et minimisera le besoin d'entretien futur.

1. Mesurez la distance entre les unités intérieures et extérieures.
2. À l'aide d'un coupe-tube, coupez le tube un peu plus long que la distance mesurée.
3. Assurez-vous que le tuyau est coupé à un angle parfait de 90° .



⊘ NE PAS DEFORMER LE TUYAU PENDANT LA COUPE

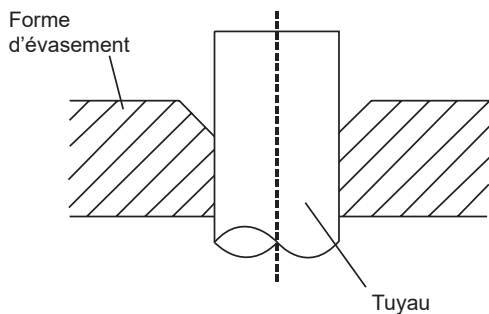
Veillez surtout à ne pas endommager, bosseler ou déformer le tuyau lors de la coupe. Cela réduira considérablement l'efficacité de chauffage de l'appareil.

Étape 2 : Enlevez les bavures.

Les bavures peuvent affecter l'étanchéité à l'air du raccordement de la tuyauterie de réfrigérant. Elles doivent être complètement éliminées.

1. Tenez le tuyau avec un angle vers le bas pour éviter que des bavures ne tombent dans le tuyau.

5. Fixez la forme d'évasement au bout du tuyau.
L'extrémité du tuyau doit s'étendre au-delà de la forme d'évasement.



6. Placez l'outil d'évasement sur la forme.
7. Tournez la poignée de l'outil d'évasement dans le sens des aiguilles d'une montre jusqu'à ce que le tuyau soit complètement évasé. Évasez le tuyau conformément aux dimensions.

EXTENSION DE TUYAUTERIE AU-DELA DU FORME D'ÉVASEMENT

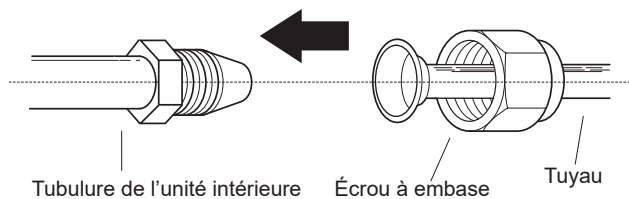
Jauge de tuyau	Couple de serrage	Dimension d'évasement (A) (Unité : mm/pouce)		Forme d'embase
		Min.	Max.	
Ø 6,35	18-20 N.m (183-204 kgf.cm)	8,4/0,33	8,7/0,34	
Ø 9,52	25-26 N.m (255-265 kgf.cm)	13,2/0,52	13,5/0,53	
Ø 12,7	35-36 N.m (357-367 kgf.cm)	16,2/0,64	16,5/0,65	
Ø 16	45-47 N.m (459-480 kgf.cm)	19,2/0,76	19,7/0,78	
Ø 19	65-67 N.m (663-683 kgf.cm)	23,2/0,91	23,7/0,93	
Ø 22	75-85 N.m (765-867 kgf.cm)	26,4/1,04	26,9/1,06	

8. Enlevez l'outil d'évasement et la forme d'évasement, puis examinez l'extrémité du tuyau pour y déceler des fissures et même un évasement.

Étape 4 : Connectez les tuyaux

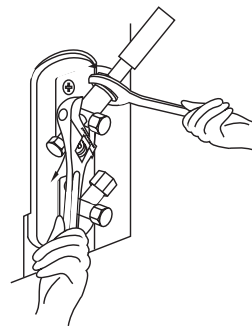
Connectez d'abord les tuyaux en cuivre à l'unité intérieure, puis les connectez à l'unité extérieure. Vous devez d'abord connecter le tuyau à basse pression, puis le tuyau à haute pression.

- Lors du raccordement des écrous à embase, appliquez une fine couche d'huile de réfrigération sur les extrémités évasées des tuyaux.
- Alignez le centre des deux tuyaux que vous connecterez.



- Serrez à la main l'écrou à embase aussi fermement que possible.
- À l'aide d'une clé, pincez l'écrou sur la tubulure de l'unité.
- Tout en serrant fermement l'écrou, serrez l'écrou à embase à l'aide d'une clé dynamométrique conformément aux valeurs de couple du tableau ci-dessus.

NOTE : Utilisez une clé plate et une clé dynamométrique pour connecter ou déconnectez les tuyaux à / de l'unité.

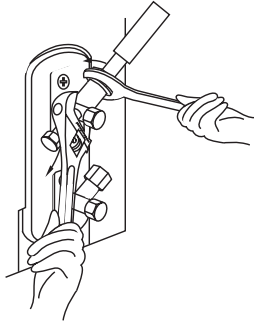


⚠ ATTENTION

- Assurez-vous d'enrouler l'isolation autour de la tuyauterie. Un contact direct avec la tuyauterie nue peut provoquer des brûlures ou des engelures.
- Assurez-vous que le tuyau est correctement connecté. Un serrage excessif peut endommager la cloche et un serrage insuffisant peut entraîner des fuites.

5. Tout en serrant fermement l'écrou, serrez l'écrou à embase à l'aide d'une clé dynamométrique conformément aux valeurs de couple du tableau ci-dessus.

NOTE : Utilisez une clé plate et une clé dynamométrique pour connecter ou déconnectez les tuyaux à / de l'unité.



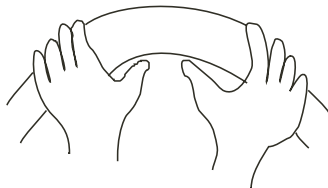
ATTENTION

- Assurez-vous d'enrouler l'isolation autour de la tuyauterie. Un contact direct avec la tuyauterie nue peut provoquer des brûlures ou des engelures.
- Assurez-vous que le tuyau est correctement connecté. Un serrage excessif peut endommager la cloche et un serrage insuffisant peut entraîner des fuites.

NOTES SUR LE RAYON DE COURBURE MINIMUM

Pliez soigneusement la tubulure au milieu, conformément au schéma ci-dessous. **NE PAS** plier la tubulure à plus de 90° ou plus de 3 fois.

Courbez le tuyau avec le pouce



Rayon min. 10cm (3.9 pouces)

6. Après avoir connecté les tuyaux en cuivre à l'unité intérieure, enroulez le câble d'alimentation, le câble de signal et la tuyauterie avec du ruban adhésif.

NOTE : **NE PAS** entrelacer le câble de signal avec d'autres fils. Lorsque vous réunissez ces éléments, n'entrelacez ni croisez le câble de signal avec aucun autre câblage.

7. Enfilez ce tuyau à travers le mur et le connectez à l'unité extérieure.
8. Isolez toute la tuyauterie, y compris les vannes de l'unité extérieure.
9. Ouvrez les vannes d'arrêt de l'unité extérieure pour démarrer l'écoulement du réfrigérant entre les unités intérieure et extérieure.

ATTENTION

Vérifiez qu'il n'y a pas de fuite de réfrigérant une fois l'installation terminée. En cas de fuite de réfrigérant, ventilez immédiatement la zone et évacuez le système (consultez la section Évacuation d'air de ce manuel).

Câblage



AVANT D'EFFECTUER TOUT TRAVAIL SOUS TENSION, LISEZ CES RÈGLEMENTS

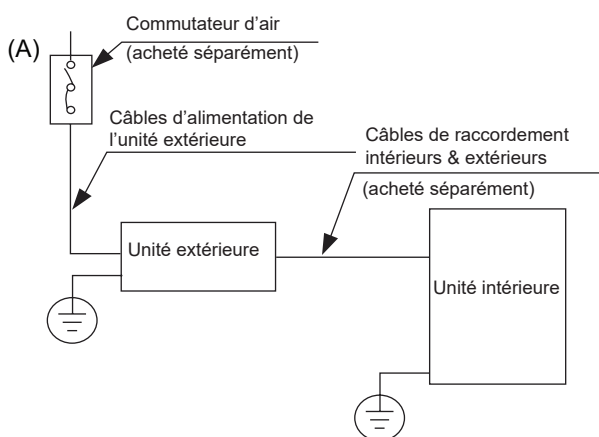
1. Tout le câblage doit être conforme aux codes électriques locaux et nationaux et doit être installé par un électricien agréé.
2. Tous les raccordements électriques doivent être effectués conformément au schéma de raccordement électrique situé sur les panneaux des unités intérieures et extérieures.
3. En cas de problème de sécurité grave avec l'alimentation électrique, arrêtez immédiatement le travail. Expliquez votre raisonnement au client et refusez d'installer l'unité jusqu'à ce que le problème de sécurité soit correctement résolu.
4. La tension d'alimentation doit être comprise entre 90% et 110% de la tension nominale. Une alimentation insuffisante peut provoquer un dysfonctionnement, un choc électrique ou un incendie.
5. Si vous connectez l'alimentation au câblage fixe, il faut installer un parafoudre et un interrupteur principal.
6. Si vous raccordez l'alimentation à un câblage fixe, un interrupteur ou un disjoncteur qui déconnecte tous les pôles et présente une séparation de contact d'au moins 1/8 pouce (3mm) doit être intégré au câblage fixe. Le technicien qualifié doit utiliser un disjoncteur ou un interrupteur approuvé.
7. Ne branchez l'unité qu'à une prise de courant individuelle. Ne pas connecter une autre unité à cette prise.
8. Assurez-vous de bien mettre le climatiseur à la terre.
9. Chaque fil doit être fermement connecté. Un câblage desserré peut provoquer une surchauffe du terminal, entraînant un dysfonctionnement du produit et un risque d'incendie.
10. Ne pas laisser les câbles toucher ou reposer contre la tubulure de réfrigérant, le compresseur ou toute pièce mobile dans l'unité.
11. Si l'unité est équipée d'un réchauffeur électrique auxiliaire, elle doit être installée à au moins 1 mètre (40 pouces) de tout matériau combustible.
12. Pour éviter tout risque de choc électrique, ne jamais toucher les composants électriques immédiatement après la mise hors tension. Après la mise hors tension, attendez toujours 10 minutes ou plus avant de toucher les composants électriques.
13. Assurez-vous de ne pas croiser le câblage électrique avec le câblage de signal. Cela pourrait provoquer des distorsions et des interférences.
14. L'unité doit être connectée à la prise principale. Normalement, l'alimentation doit avoir une impédance de 32 ohms.
15. Aucun autre équipement ne doit être connecté au même circuit d'alimentation.
16. Connectez les câbles extérieurs avant de connecter les câbles intérieurs.

AVERTISSEMENT

AVANT LA MISE EN ŒUVRE DE TOUT TRAVAIL ÉLECTRIQUE OU DE CÂBLAGE, VEUILLEZ COUPER L'ALIMENTATION PRINCIPALE DU SYSTÈME.

NOTE SUR LE COMMUTATEUR D'AIR

Si le courant maximal du climatiseur dépasse 16A, il faut mettre en place un commutateur d'air ou un commutateur de protection contre fuite avec le dispositif de protection (acheté séparément). Si le courant maximal du climatiseur est moins de 16A, le câble d'alimentation du climatiseur doit être équipé d'une fiche (acheté séparément). En Amérique du Nord, l'application doit être câblée conformément aux exigences du NEC et de la CEC.



NOTE : Les schémas ne sont destinés qu'à des fins d'explication. Votre machine peut être légèrement différente. La forme réelle prévaut.

Câblage de l'unité extérieure

AVERTISSEMENT

Avant la mise en œuvre de tout travail électrique ou de câblage, veuillez couper l'alimentation principale du système.

1. Préparez le câble pour la connexion
 - a. Il faut d'abord choisir la dimension correcte de câble. Assurez-vous d'utiliser des câbles H07RN-F.

NOTE : En Amérique du Nord, choisissez le type de câble en fonction des codes et réglementations électriques locaux.

Section transversale minimale des câbles d'alimentation et de signal (pour référence)

Courant nominal de l'appareil (A)	Section transversale nominale (mm ²)
> 3 et ≤ 6	0,75
> 6 et ≤ 10	1
> 10 et ≤ 16	1,5
> 16 et ≤ 25	2,5
> 25 et ≤ 32	4
> 32 et ≤ 40	6

CHOISIR LA BONNE TAILLE DU CÂBLE

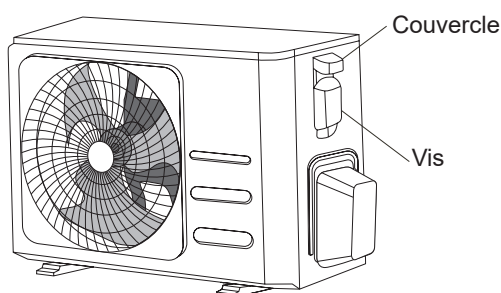
La taille du câble d'alimentation, du câble de signal, du fusible et du commutateur nécessaires est déterminée par le courant maximal de l'unité. Le courant maximum est indiqué sur la plaque signalétique située sur le panneau latéral de l'unité. Veuillez référer à cette plaque signalétique pour choisir le bon câble, le bon fusible ou le bon commutateur.

NOTE : En Amérique du Nord, veuillez choisir la bonne taille de câble en fonction de l'intensité minimale du circuit indiquée sur la plaque signalétique de l'unité.

- b. À l'aide d'une pince à dénuder, dénudez la gaine en caoutchouc des deux extrémités du câble de signal pour faire exposer environ 15cm (5,9") de câble.
- c. Dénudez l'isolation des extrémités.
- d. À l'aide d'une pince à sertir les fils, sertissez des pattes en U aux extrémités des câbles.

NOTE : Lors du raccordement des câbles, veuillez suivre strictement le schéma de câblage figurant à l'intérieur du couvercle de la boîte électrique.

2. Enlevez le couvercle électrique de l'unité extérieure. S'il n'y a pas de couvercle sur l'unité extérieure, démontez les boulons de la plaque de maintenance et enlever la plaque de protection.

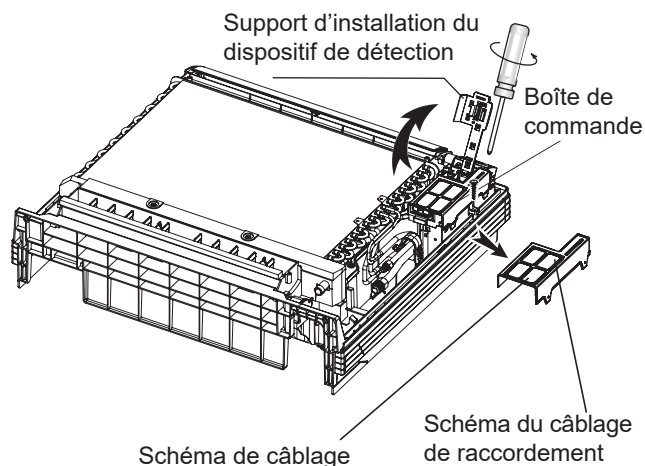


3. Connectez les pattes en U aux bornes. Faites correspondre les couleurs / étiquettes des câbles avec les étiquettes sur la boîte d'accouplement. Vissez fermement la patte en U de chaque câble sur la borne correspondante.
4. Serrez le câble avec le serre-câble.
5. Isolez les câbles non utilisés avec du ruban électrique. Éloignez ces câbles des pièces électriques ou métalliques.
6. Réinstallez le couvercle de la boîte de commande électrique.

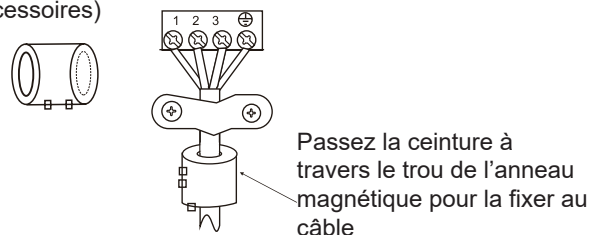
Câblage de l'unité intérieure

1. Préparez le câble pour la connexion
 - a. À l'aide d'une pince à dénuder, dénudez la gaine en caoutchouc des deux extrémités du câble de signal pour faire exposer environ 15cm (5,9") de câble.
 - b. Dénudez l'isolation des extrémités des câbles.
 - c. À l'aide d'une pince à sertir les fils, sertissez des pattes en U aux extrémités des câbles.
2. Tournez le support d'installation du dispositif de détection vers l'autre côté. Retirez ensuite le couvercle de la boîte électrique. (Enlevez également la boîte électrique si sa capacité est de 18000btu/h et s'il a une fonction de mise en réseau).

3. Connectez les pattes en U aux bornes. Faire correspondre les couleurs / étiquettes des fils avec les étiquettes de la boîte à borne et vissez fermement la patte en U de chaque fil sur la borne correspondante. Consultez le numéro de série et le schéma de câblage situés sur le couvercle de la boîte de commande électrique.



Anneau magnétique (si fourni et emballé avec les accessoires)



⚠ ATTENTION

- Lors du raccordement des câbles, veuillez suivre strictement le schéma de câblage.
 - Le circuit de réfrigérant peut devenir très chaud. Gardez le câble d'interconnexion à l'écart du tube en cuivre.
4. Fixez le câble avec le serre-câble prévu à cet effet pour le maintenir en place. Le câble ne doit pas être desserré ni tiré sur les pattes en U.
 5. Réinstallez le couvercle de la boîte électrique et le panneau frontal de l'unité intérieure.

Spécifications d'alimentation

Modèle (Btu/h)		<16K	16K - 18K
Alimentation	Phase	1 Phase	1 Phase
	Fréquence et tension	220-240V~, 50Hz/60Hz	220-240V~, 50Hz/60Hz
Disjoncteur (A)		16	16
Câbles d'alimentation de l'unité intérieure (mm ²)		— —	— —
Câblage de connexion intérieur/extérieur (mm ²)	Câblage d'alimentation de l'unité extérieure	3x1.5	3x1.5
	Signal électrique fort	4x1.5	4x1.5
	Signal électrique faible	—	—
	Fil de mise à la terre	1,5	1,5

Évacuation d'air

Préparation et précaution

L'air et des corps étrangers dans le circuit de réfrigérant peuvent provoquer une augmentation anormale de la pression, ce qui peut endommager le climatiseur, réduire son efficacité et causer des blessures. Utiliser une pompe à vide et une jauge manifold pour évacuer le circuit de réfrigérant, et enlever tout gaz non condensables et l'humidité dans le système.

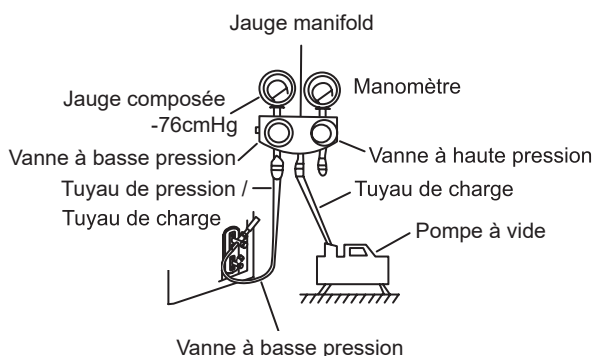
L'évacuation doit être effectuée lors de l'installation initiale et lorsque l'appareil est déplacé.

AVANT D'EFFECTUER L'ÉVACUATION

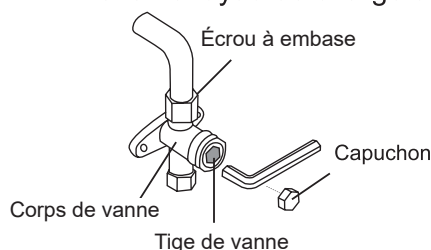
- Vérifier les tuyaux de raccordement entre les unités intérieure et extérieure pour assurer qu'ils sont correctement connectés.
- S'assurer que tout le câblage est correctement connecté.

Instructions d'évacuation

1. Connecter le tuyau de charge de la jauge manifold au port d'entretien de la vanne de basse pression de l'unité extérieure.
2. Connecter un autre tuyau de charge de la jauge manifold à la pompe à vide.
3. Ouvrir le côté à basse pression de la jauge manifold. Garder le côté à haute pression fermé.
4. Allumer la pompe à vide pour évacuer le système.
5. Fonctionner le vide pendant au moins de 15 minutes ou jusqu'à ce que le débitmètre composé indique -76cmHg (-10^5Pa).



6. Fermer le côté à Basse pression de la jauge manifold et éteindre la pompe à vide.
7. Attendre 5 minutes, puis vérifier s'il existe de changement de pression dans le système.
8. Si la pression du système change, consulter la section Vérification des fuites de gaz pour savoir comment vérifier les fuites. S'il n'y a pas de changement de pression dans le système, dévisser le capuchon de la vanne à garniture (vanne à haute pression).
9. Insérer une clé hexagonale dans la vanne à garniture (vanne à haute pression) et l'ouvrir en tournant la clé d'un quart de tour dans le sens des aiguilles d'une montre. Écouter le gaz pour sortir du système, puis fermer la vanne après 5 secondes.
10. Observer la jauge de pression pendant une minute pour vous assurer qu'il n'y a pas de changement de pression. La jauge de pression doit indiquer une pression légèrement supérieure à la pression atmosphérique.
11. Enlever le tuyau de charge du port d'entretien.



12. À l'aide d'une clé hexagonale, ouvrir complètement les vannes à haute pression et à basse pression.
13. Serrer les capuchons des trois vannes (port d'entretien, haute pression, basse pression) à la main. Vous pouvez le serrer davantage à l'aide d'une clé de torque si nécessaire.

! OUVRIR DÉLICATEMENT DE TIGE DE VANNE

Lorsque vous ouvrez les tiges de vanne, tourner la clé hexagonale jusqu'à ce qu'elle frappe le bouchon. Ne pas essayer de forcer la vanne à l'ouvrir davantage.

Note relative à l'ajout de réfrigérant

Certains systèmes nécessitent une charge supplémentaire en fonction de la longueur du tuyau. La longueur standard du tuyau varie en fonction de la réglementation locale. Par exemple, en Amérique du Nord, la longueur standard des tuyaux est de 7,5 m (25'). Dans les autres zones, la longueur standard du tuyau est de 5 m (16'). Le réfrigérant doit être chargé à partir du port d'entretien situé sur la vanne à basse pression de l'unité extérieure. Le réfrigérant supplémentaire à charger peut être calculé à l'aide de la formule suivante :

Diamètre de côté liquide

	ø6,35 (1/4")	ø9,52 (3/8")	ø12,7 (1/2")
R32 :	(Longueur totale du tuyau - longueur standard du tuyau) x 12g (0,13oz) /m(ft)	(Longueur totale du tuyau - longueur standard du tuyau) x 24g (0,26oz) / m (ft)	(Longueur totale du tuyau - longueur standard du tuyau) x 40g (0,42oz) / m (ft)



ATTENTION NE PAS mélanger les types de réfrigérants.

Mise en service

Avant la mise en service

Une mise en service doit être effectuée après l'installation complète de l'ensemble du système. Confirmer les points suivants avant d'effectuer l'essai :

- a) Les unités intérieures et extérieures sont correctement installées.
- b) La tuyauterie et le câblage sont correctement connectés.
- c) Sans obstacles à l'entrée et à la sortie de l'appareil qui pourraient provoquer une mauvaise performance ou un dysfonctionnement du produit.
- d) Il n'y a pas de fuite dans le système de réfrigération.
- e) Le système de drainage est sans blocage et se déverse dans un endroit sûr.
- f) L'isolation thermique est correctement installée.
- g) Les fils de masse sont correctement connectés.
- h) La longueur de la tuyauterie et la capacité de stockage du réfrigérant supplémentaire ont été enregistrées.
- i) La tension d'alimentation correspond à la tension correcte pour le climatiseur.



ATTENTION

Le fait de ne pas effectuer une mise en service peut entraîner des dommages de l'appareil, des dommages matériels ou des blessures corporelles.

Instructions de mise en service

1. Ouvrir les vannes d'arrêt de liquide et de gaz.
2. Allumer l'interrupteur d'alimentation principale et laisser l'appareil se réchauffer.
3. Régler le climatiseur en mode COOL.
4. Pour l'unité intérieure
 - a. S'assurer que la télécommande et ses boutons fonctionnent correctement.
 - b. S'assurer que les persiennes fonctionnent correctement et peuvent être changés à l'aide de la télécommande.
 - c. Vérifier de nouveau si la température ambiante est correctement enregistrée.
 - d. S'assurer que les indicateurs de la télécommande et du panneau d'affichage de l'unité intérieure fonctionnent correctement.

- e. S'assurer que les boutons manuels de l'unité intérieure fonctionnent correctement.
 - f. Vérifier que le système de drainage fonctionne sans blocage et s'écoule en douceur.
 - g. S'assurer qu'il n'y a pas de vibrations ni de bruit anormal pendant le fonctionnement.
5. Pour l'unité extérieure
 - a. Vérifier s'il y a des fuites dans le système de réfrigération.
 - b. S'assurer qu'il n'y a pas de vibrations ou de bruit anormal pendant le fonctionnement.
 - c. S'assurer que le vent, le bruit et l'eau générés par l'appareil ne gênent pas vos voisins et ne présentent aucun danger pour la sécurité.
 6. Essai de drainage
 - a. S'assurer que le tuyau de drainage écoule en douceur. Les nouveaux bâtiments doivent effectuer cet essai avant de finir le plafond.
 - b. Enlever le couvercle d'essai. Ajouter 2 000ml d'eau dans le réservoir à travers le tube connecté.
 - c. Allumer l'interrupteur d'alimentation principale et faire fonctionner le climatiseur en mode COOL.
 - d. Écouter le son de la pompe de drainage pour voir si elle fait des bruits anormaux.
 - e. Vérifier si l'eau est déchargée. En fonction du tuyau de drainage, il peut prendre jusqu'à une minute avant que l'appareil commence à se vider.
 - f. S'assurer qu'il n'y a pas de fuites dans les tuyaux.
 - g. Arrêter le climatiseur. Éteindre l'interrupteur d'alimentation principale et réinstaller le couvercle d'essai.

NOTE : Si l'appareil fonctionne mal ou ne fonctionne pas conformément à vos attentes, veuillez-vous reporter à la section Dépannage du Manuel Utilisateur avant d'appeler le service clientèle.

Inhaltsübersicht

Sicherheitsvorkehrungen	04
--------------------------------------	-----------

Benutzerhandbuch

Technische Daten und Merkmale der Einheit	09
1. die Anzeige des Innengeräts	09
2. Betriebstemperatur	10
3. Andere Merkmale	11
4. Einstellung der Luftstromrichtung	12
Pflege und Wartung.....	13
Fehlersuche	15

Zubehör	18
Zusammenfassung der Installation	19
Einheit Teile.....	20
Installation des Innengeräts	21
1. Einbauort wählen.....	21
2. Einbau des Hauptgehäuses	22
3. Zerlegen des Innengeräts zum Anschließen der Leitungen	23
4. Netzwerkadresse eingestellt	24
5. Wandloch für Verbindungsleitung bohren.....	24
6. Ablaufschlauch anschließen	25
Installation des Außengeräts	26
1. Einbauort wählen.....	25
2. Abflussfuge einbauen	27
3. Außengerät verankern	27
Kältemittel-Rohrleitungsanschluss	29
A. Hinweis zur Rohrlänge	29
B. Anschlusshinweise - Kältemittelleitungen	30
1. Rohr schneiden	30
2. Grate entfernen	30
3. Bördelung der Rohrenden	31
4. Rohre verbinden	31
Verdrahtung	33
1. Außenverdrahtung Einheit.....	34
2. Innenbereich EinheitVerdrahtung	35
3. Leistungsspezifikationen	36
Evakuierung aus der Luft	37
1. Anweisungen zur Evakuierung	37
2. Hinweis zum Hinzufügen von Kältemittel	38
Testlauf	39

Sicherheitsvorkehrungen

Lesen Sie die Sicherheitshinweise vor dem Betrieb und der Installation

Eine fehlerhafte Installation aufgrund von Nichtbeachtung der Anweisungen kann zu schweren Schäden oder Verletzungen führen.

Die Schwere der möglichen Schäden oder Verletzungen wird entweder als WARNUNG oder VORSICHT eingestuft.



WARNUNG

Dieses Symbol weist auf die Möglichkeit von Personenschäden oder den Verlust des Lebens hin.



VORSICHT

Dieses Symbol weist auf die Möglichkeit von Sachschäden oder schwerwiegenden Folgen hin.



WARNUNG

Dieses Gerät kann von Kindern ab 8 Jahren und darüber sowie von Personen mit verringerten physischen, sensorischen oder geistigen Fähigkeiten oder Mangel an Erfahrung und Wissen benutzt werden, wenn sie beaufsichtigt oder bezüglich des sicheren Gebrauchs des Geräts unterwiesen wurden und die damit verbundenen Gefahren verstehen. Kinder dürfen nicht mit dem Gerät spielen. Reinigung und Wartung durch den Benutzer dürfen nicht von Kindern ohne Aufsicht durchgeführt werden (Anforderungen der EN-Norm).

Dieses Gerät ist nicht dafür bestimmt, durch Personen (einschließlich Kinder) mit eingeschränkten physischen, sensorischen oder geistigen Fähigkeiten oder mangels Erfahrung und mangels Wissens benutzt zu werden, es sei denn, sie werden durch eine für ihre Sicherheit zuständige Person beaufsichtigt oder erhalten von ihr Anweisungen, wie das Gerät zu benutzen ist. Kinder sollten beaufsichtigt werden, um sicherzustellen, dass sie nicht mit dem Gerät spielen.



WARNHINWEISE ZUR VERWENDUNG DES PRODUKTS

- Wenn eine abnormale Situation auftritt (z. B. Brandgeruch), schalten Sie das Gerät sofort aus und trennen Sie es von der Stromversorgung. Rufen Sie Ihren Händler an, um Anweisungen zur Vermeidung von Stromschlag, Feuer oder Verletzungen zu erhalten.
- Stecken Sie **keine** Finger, Stäbe oder andere Gegenstände in den Luftein- oder -auslass. Dies kann zu Verletzungen führen, da sich das Gebläse mit hoher Geschwindigkeit drehen kann.
- Verwenden Sie **keine** brennbaren Sprays wie Haarspray, Lack oder Farbe in der Nähe des Geräts. Dies kann einen Brand oder eine Verbrennung verursachen.
- Betreiben Sie das Klimagerät **nicht** in der Nähe von brennbaren Gasen oder in deren Umfeld. Ausströmende Gase können sich um das Gerät sammeln und eine Explosion verursachen.
- Betreiben Sie Ihr Klimagerät **nicht** in Feuchträumen wie Badezimmern oder Waschküchen. Eine zu starke Wassereinwirkung kann zu einem Kurzschluss der elektrischen Komponenten führen.
- Setzen Sie Ihren Körper **nicht** über einen längeren Zeitraum direkt kühler oder heißer Luft aus.
- Erlauben Sie Kindern **nicht**, mit dem Klimagerät zu spielen. Kinder müssen in der Nähe des Geräts jederzeit beaufsichtigt werden.
- Wenn das Klimagerät zusammen mit Brennern oder anderen Heizgeräten verwendet wird, lüften Sie den Raum gründlich, um Sauerstoffmangel zu vermeiden.
- Bestimmte funktionale Umgebungen, wie Küchen, Serverräume usw., sollten unbedingt mit speziell entwickelten Klimageräten ausgestattet werden.

WARNHINWEISE ZUR REINIGUNG UND WARTUNG

- Schalten Sie das Gerät aus und trennen Sie es von der Stromversorgung, bevor Sie es reinigen. Andernfalls kann es zu einem Stromschlag kommen.
- Reinigen Sie das Klimagerät **nicht** mit übermäßigen Wassermengen.
- Reinigen Sie das Klimagerät **nicht** mit brennbaren Reinigungsmitteln. Brennbare Reinigungsmittel können Feuer oder Verformungen verursachen.



VORSICHT

- Schalten Sie die Klimaanlage aus und ziehen Sie den Netzstecker, wenn Sie sie für längere Zeit nicht benutzen.
- Schalten Sie das Gerät bei Gewitter aus und ziehen Sie den Netzstecker.
- Stellen Sie sicher, dass Kondenswasser ungehindert aus dem Gerät abfließen kann.
- Bedienen Sie das Klimagerät **nicht** mit nassen Händen. Dies kann zu einem elektrischen Schlag führen.
- Verwenden Sie das Gerät **nicht** für einen anderen als den vorgesehenen Zweck.
- Klettern Sie **nicht** auf das Außengerät und stellen Sie keine Gegenstände darauf ab.
- Lassen Sie das Klimagerät **nicht** über längere Zeit bei geöffneten Türen oder Fenstern oder bei sehr hoher Luftfeuchtigkeit laufen.



ELEKTRISCHE WARNHINWEISE

- Verwenden Sie nur das angegebene Netzkabel. Wenn das Netzkabel beschädigt ist, muss es vom Hersteller, seinem Kundendienst oder einer ähnlich qualifizierten Person ersetzt werden, um Gefahren zu vermeiden.
- Halten Sie den Netzstecker sauber. Entfernen Sie jeglichen Staub oder Schmutz, der sich auf oder um den Stecker herum ansammelt. Verschmutzte Stecker können zu Bränden oder Stromschlägen führen.
- Ziehen Sie **nicht** am Netzkabel, um das Gerät auszustecken. Halten Sie den Stecker fest und ziehen Sie ihn aus der Steckdose. Wenn Sie direkt am Kabel ziehen, kann es beschädigt werden, was zu einem Brand oder Stromschlag führen kann.
- Verändern Sie **nicht** die Länge des Netzkabels und verwenden Sie kein Verlängerungskabel, um das Gerät zu betreiben.
- Benutzen Sie die Steckdose **nicht** gemeinsam mit anderen Geräten. Eine unsachgemäße oder unzureichende Stromversorgung kann zu Bränden oder Stromschlägen führen.
- Das Gerät muss bei der Installation ordnungsgemäß geerdet werden, da es sonst zu einem Stromschlag kommen kann.
- Befolgen Sie bei allen elektrischen Arbeiten alle lokalen und nationalen Verdrahtungsnormen, Vorschriften und das Installationshandbuch. Schließen Sie die Kabel fest an und klemmen Sie sie sicher ab, um zu verhindern, dass äußere Kräfte das Terminal beschädigen. Unsachgemäße elektrische Anschlüsse können zu Überhitzung und Feuer führen und auch einen Stromschlag verursachen. Alle elektrischen Anschlüsse müssen gemäß dem elektrischen Anschlussplan auf den Schalttafeln der Innen- und Außengeräte vorgenommen werden.
- Die gesamte Verkabelung muss ordnungsgemäß angeordnet sein, damit die Abdeckung der Steuerplatine richtig geschlossen werden kann. Wenn die Abdeckung der Steuerplatine nicht richtig geschlossen ist, kann dies zu Korrosion führen und dazu, dass sich die Anschlusspunkte am Terminal erhitzen, Feuer fangen oder einen elektrischen Schlag verursachen.
- Beim Anschluss von Strom an eine feste Verdrahtung muss eine allpolige Trennvorrichtung mit einem Mindestabstand von 3 mm zwischen allen Polen und einem Ableitstrom von mehr als 10 mA, eine Fehlerstrom-Schutzeinrichtung (RCD) mit einem Bemessungsfehlerstrom von höchstens 30 mA und eine Trennvorrichtung in die feste Verdrahtung gemäß den Verdrahtungsregeln eingebaut werden.

BEACHTEN SIE DIE SPEZIFIKATIONEN DER SICHERUNGEN

Die Leiterplatte (PCB) des Klimagerätes ist mit einer Sicherung ausgestattet, um einen Überstromschutz zu gewährleisten. Die technischen Daten der Sicherung sind auf der Platine aufgedruckt, wie z. B. : T3.15A/250VAC, T5A/250VAC, T10A/250VAC, T20A/250VAC, T30A/250VAC, usw.

HINWEIS: Für Geräte mit dem Kältemittel R32 oder R290 kann nur die explosionsgeschützte Keramiksicherung verwendet werden.



WARNHINWEISE FÜR DIE PRODUKTINSTALLATION

1. Die Installation muss von einem autorisierten Händler oder Fachmann durchgeführt werden. Eine fehlerhafte Installation kann zu Wasseraustritt, Stromschlag oder Feuer führen.
2. Die Installation muss gemäß den Installationsanweisungen durchgeführt werden. Eine unsachgemäße Installation kann zu Wasseraustritt, Stromschlag oder Feuer führen.
(In Nordamerika darf die Installation nur von autorisiertem Personal in Übereinstimmung mit den Anforderungen von NEC und CEC durchgeführt werden).
3. Wenden Sie sich für die Reparatur oder Wartung des Geräts an einen autorisierten Servicetechniker. Dieses Gerät muss in Übereinstimmung mit den nationalen Verdrahtungsvorschriften installiert werden.
4. Verwenden Sie für die Installation nur das mitgelieferte Zubehör, die Teile und die angegebenen Teile. Die Verwendung von Teilen, die nicht dem Standard entsprechen, kann zu Wasseraustritt, elektrischem Schlag, Feuer und zum Ausfall des Geräts führen.
5. Installieren Sie das Gerät an einem festen Ort, der das Gewicht des Geräts tragen kann. Wenn der gewählte Standort das Gewicht des Geräts nicht tragen kann oder die Installation nicht ordnungsgemäß durchgeführt wird, kann das Gerät herunterfallen und schwere Verletzungen und Schäden verursachen.
6. Installieren Sie die Abflussrohre gemäß den Anweisungen in diesem Handbuch. Eine unsachgemäße Entwässerung kann zu Wasserschäden an Ihrem Haus und Eigentum führen.
7. Bei Geräten mit elektrischer Zusatzheizung darf das Gerät **nicht** näher als 1 Meter an brennbaren Materialien installiert werden.
8. Installieren Sie das Gerät **nicht** an einem Ort, an dem brennbares Gas austreten kann. Wenn sich brennbare Gase in der Nähe des Geräts ansammeln, kann dies einen Brand verursachen.
9. Schalten Sie den Strom erst ein, wenn alle Arbeiten abgeschlossen sind.
10. Wenn Sie das Klimagerät an einen anderen Ort bringen, wenden Sie sich an einen erfahrenen Servicetechniker, um das Gerät abzutrennen und wieder einzubauen.
11. Lesen Sie bitte die Informationen in den Abschnitten "Installation des Innengeräts" und "Installation des Außengeräts", um zu erfahren, wie Sie das Gerät an seiner Halterung installieren.

Hinweis zu fluorierten Gasen (gilt nicht für das Gerät mit R290-Kältemittel)

1. Dieses Klimagerät enthält fluorierte Treibhausgase. Spezifische Informationen über die Art und Menge der Gase finden Sie auf dem entsprechenden Etikett am Gerät selbst oder im "Benutzerhandbuch - Produktdatenblatt" in der Verpackung des Außengeräts. (nur Produkte der Europäischen Union).
2. Die Installation, Wartung, Instandhaltung und Reparatur dieses Geräts müssen von einem zertifizierten Techniker durchgeführt werden.
3. Die Deinstallation und das Recycling des Produkts müssen von einem zertifizierten Techniker durchgeführt werden.
4. Bei Einrichtungen, die fluorierte Treibhausgase in Mengen von 5 Tonnen CO₂ äquivalent oder mehr, aber weniger als 50 Tonnen CO₂ äquivalent enthalten, muss das System, wenn es über ein Leckage-Erkennungssystem verfügt, mindestens alle 24 Monate auf Undichtigkeiten überprüft werden.
5. Bei der Überprüfung des Geräts auf Dichtheit wird dringend empfohlen, alle Überprüfungen ordnungsgemäß zu dokumentieren.

**WARNUNG bei Verwendung des Kältemittels R32/R290**

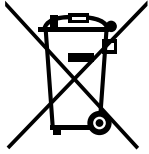
- Wenn entflammbare Kältemittel verwendet werden, muss das Gerät in einem gut belüfteten Raum gelagert werden, dessen Größe der für den Betrieb angegebenen Raumfläche entspricht.
Für Modelle mit R32-Kältemittel:
Das Gerät muss in einem Raum mit einer Grundfläche von mehr als $X \text{ m}^2$ aufgestellt, betrieben und gelagert werden. Das Gerät darf nicht in einem unbelüfteten Raum aufgestellt werden, wenn dieser Raum kleiner als $X \text{ m}^2$ ist.
(Bitte beachten Sie das folgende Formular).

Modell (Btu/h)	Mindestraumfläche (m^2)
≤ 18000	18

- Wiederverwendbare mechanische Anschlüsse und Bördelverbindungen sind in Innenräumen nicht erlaubt.
(Anforderungen der **EN**-Norm).
- Mechanische Verbindungselemente, die in Innenräumen verwendet werden, dürfen nicht mehr als 3 g/Jahr bei 25 % des maximal zulässigen Drucks aufweisen. Bei der Wiederverwendung von mechanischen Verbindungsstücken in Innenräumen müssen die Dichtungen erneuert werden. Wenn Bördelverbindungen in Innenräumen wiederverwendet werden, muss der Bördelteil neu hergestellt werden. (**UL**-Norm-Anforderungen)
- Bei der Wiederverwendung von mechanischen Verbindungsstücken in Innenräumen sind die Dichtungsteile zu erneuern. Wenn Bördelverbindungen in Innenräumen wiederverwendet werden, muss der Bördelteil neu hergestellt werden.
(Anforderungen der **IEC**-Norm)
- Mechanische Steckverbinder, die in Innenräumen verwendet werden, müssen der Norm ISO 14903 entsprechen.

Europäische Entsorgungsrichtlinien

Diese Kennzeichnung auf dem Produkt oder in der Literatur weist darauf hin, dass Elektro- und Elektronik-Altgeräte nicht mit dem allgemeinen Hausmüll vermischt werden dürfen.



Korrekte Entsorgung dieses Produkts (Elektro- und Elektronik-Altgeräte)

Dieses Gerät enthält Kältemittel und andere potenziell gefährliche Stoffe. Für die Entsorgung dieses Geräts ist eine spezielle Sammlung und Behandlung gesetzlich vorgeschrieben. Entsorgen Sie dieses Produkt nicht als Hausmüll oder unsortierten Siedlungsabfall.

Für die Entsorgung dieses Geräts haben Sie folgende Möglichkeiten:

- Entsorgen Sie das Gerät bei einer ausgewiesenen kommunalen Sammelstelle für Elektronikschrott.
- Beim Kauf eines neuen Geräts nimmt der Händler das alte Gerät kostenlos zurück.
- Der Hersteller nimmt das Altgerät kostenlos zurück.
- Verkauf des Geräts an zertifizierte Schrotthändler.

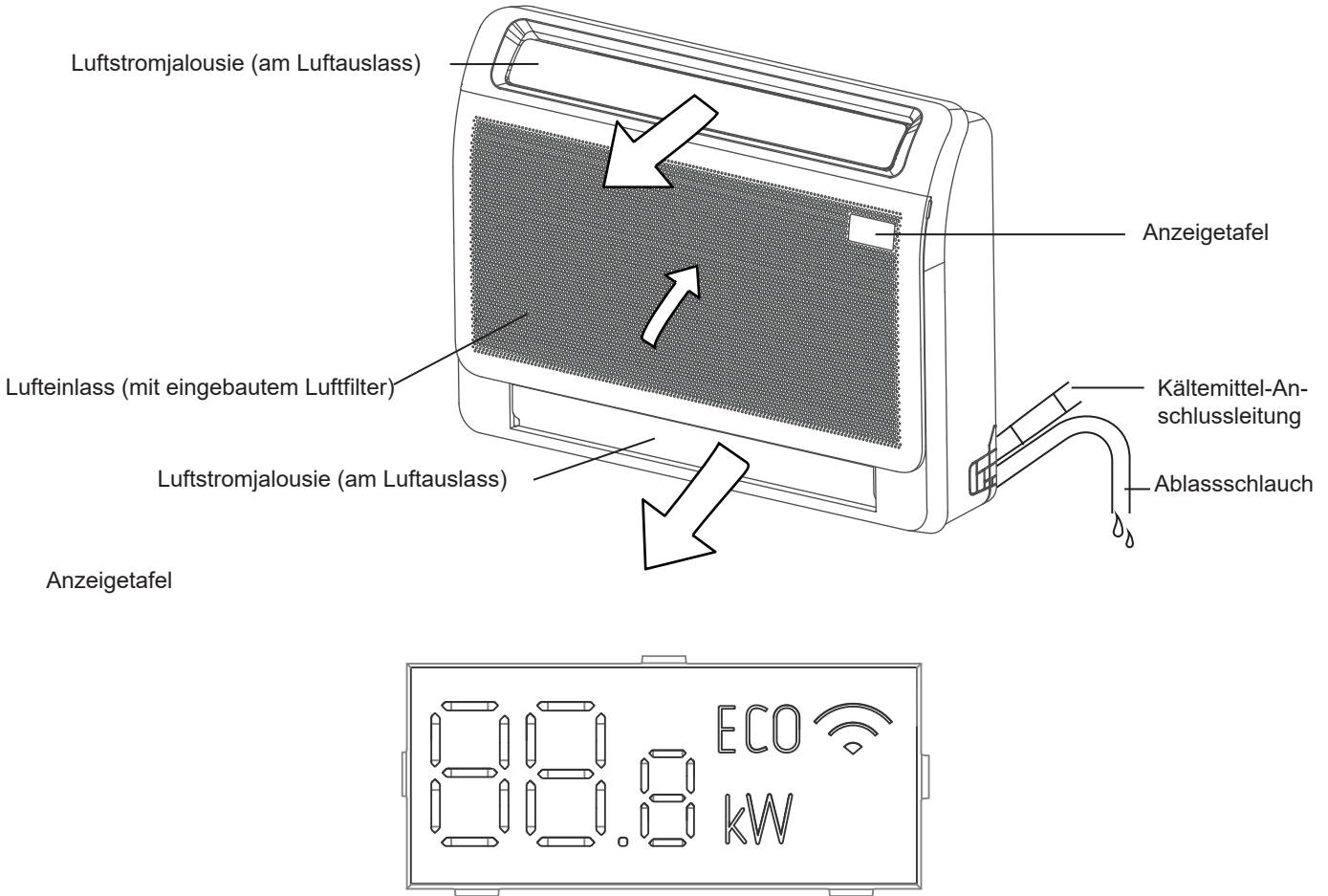
Besondere Hinweise

Die Entsorgung dieses Geräts im Wald oder in der Natur gefährdet Ihre Gesundheit und schadet der Umwelt. Gefährliche Stoffe können in das Grundwasser gelangen und in die Nahrungskette gelangen.

Spezifikationen und Merkmale der Einheit

Anzeige der Inneneinheit

HINWEIS: Dieses Anzeigefeld am Innengerät kann zur Bedienung des Geräts verwendet werden, falls die Fernbedienung verlegt wurde oder die Batterien leer sind.



• **88.8** Zeigt Temperatur und Fehlercodes an:

"**df**" beim Abtauen (für Kühl- und Heizgeräte Modell B)

"**0n**" für 3 Sekunden, wenn:

- TIMER ON ist eingestellt
- SWING oder SILENCE ist eingeschaltet

"**0F**" für 3 Sekunden, wenn:

- TIMER OFF ist eingestellt
- SWING oder SILENCE ist ausgeschaltet

"**CL**" wenn das Gerät sich selbst reinigt

"**FP**" wenn die Heizfunktion 8 °C eingeschaltet ist

• **ECO** ECO Wenn die ECO-Funktion (einige Geräte) aktiviert ist.

• **Wi-Fi symbol** wenn die drahtlose Steuerungsfunktion aktiviert ist (einige Geräte)

Betriebstemperatur

Wenn Ihr Klimagerät außerhalb der folgenden Temperaturbereiche verwendet wird, können bestimmte Sicherheitsfunktionen aktiviert werden und das Gerät außer Betrieb setzen.

Inverter-Split-Typ

	COOL-Modus	Modus HEAT	DRY-Modus
Raumtemperatur	16°C - 32°C (60°F - 90°F)	0°C - 30°C (32°F - 86°F)	10°C - 32°C (50°F - 90°F)
Draußen Temperatur	0°C - 50°C (32°F - 122°F)	-15°C - 24°C (5°F - 75°F)	0°C - 50°C (32°F - 122°F)
	-15°C - 50°C (5°F - 122°F) (Für Modelle mit Niedertemperatur-Kühlsystem.)		

Typ mit fester Drehzahl

	COOL-Modus	Modus HEAT	DRY-Modus
Zimmer Temperatur	16°C-32°C (60°F-90°F)	0°C-30°C (32°F-86°F)	10°C-32°C (50°F-90°F)
Draußen Temperatur	18°C-43°C (64°F-109°F)	-7°C-24°C (19°F-75°F)	11°C-43°C (52°F-109°F)
	-7°C-43°C (19°F-109°F) (Für Modelle mit Niedertemperatur-Kühlsystemen)		18°C-43°C (64°F-109°F)
	18°C-52°C (64°F-126°F) (Für spezielle tropische Modelle)		18°C-52°C (64°F-126°F) (Für spezielle tropische Modelle)

HINWEIS: Relative Luftfeuchtigkeit im Raum weniger als 80%. Wenn das Klimagerät über diesen Wert hinaus betrieben wird, kann sich auf der Oberfläche des Klimageräts Kondenswasser bilden. Bitte stellen Sie die vertikale Luftstromjalousie auf ihren maximalen Winkel (senkrecht zum Boden) und stellen Sie den Ventilatormodus HOCH ein.

Um die Leistung Ihres Geräts weiter zu optimieren, gehen Sie wie folgt vor:

- Halten Sie Türen und Fenster geschlossen.
- Begrenzen Sie den Energieverbrauch mit den Funktionen TIMER ON und TIMER OFF.
- Die Luftein- und -auslässe dürfen nicht blockiert werden.
- Regelmäßige Überprüfung und Reinigung der Luftfilter.

Standardeinstellung

Wenn das Klimagerät nach einem Stromausfall neu gestartet wird, werden die Werkseinstellungen (AUTO-Modus, AUTO-Ventilator, 24°C (76°F)) verwendet. Dies kann zu Unstimmigkeiten auf der Fernbedienung und dem Bedienfeld des Geräts führen. Verwenden Sie Ihre Fernbedienung, um den Status zu aktualisieren.

Auto-Restart

Bei einem Stromausfall wird das System sofort angehalten. Wenn die Stromversorgung wiederhergestellt ist, blinkt die Betriebsleuchte am Innengerät. Um das Gerät neu zu starten, drücken Sie die **ON/OFF**-Taste auf der Fernbedienung. Wenn das System über eine automatische Neustartfunktion verfügt, wird das Gerät mit denselben Einstellungen neu gestartet.

Lamellenwinkelspeicherfunktion

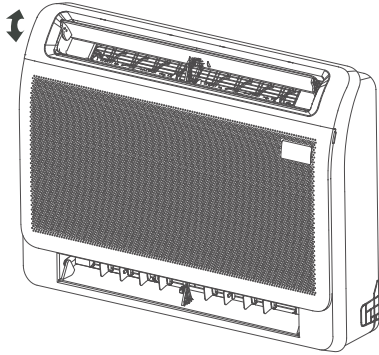
Einige Modelle sind mit einer Funktion zur Speicherung des Lamellenwinkels ausgestattet. Wenn das Gerät nach einem Stromausfall neu startet, kehrt der Winkel der horizontalen Lamellen automatisch in die vorherige Position zurück. Der Winkel der Horizontallamellen sollte nicht zu klein eingestellt werden, da sich sonst Kondenswasser bilden und in das Gerät tropfen kann. Um die Lamellen zurückzusetzen, drücken Sie die manuelle Taste, wodurch die Einstellungen der horizontalen Lamellen zurückgesetzt werden.

Kältemittelleckage-Erkennungssystem

Das Innengerät zeigt automatisch "EC" oder "ELOC" an oder lässt die LEDs blinken (modellabhängig), wenn es eine Kältemittelleckage feststellt.

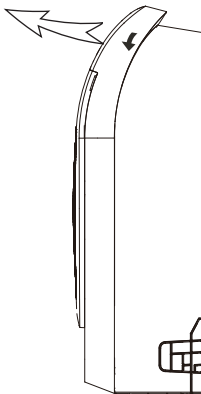
Einstellen der Luftstromrichtung

- **Manuelles Schwenken:** Drücken Sie die Taste Air Direction, um die Jalousie in einem gewünschten Winkel zu fixieren; mit jedem Tastendruck schwenkt die Jalousie in einem anderen Winkel (nach oben oder unten). Die Luftströmung kann durch manuelles Verstellen der Luftklappe geändert werden.



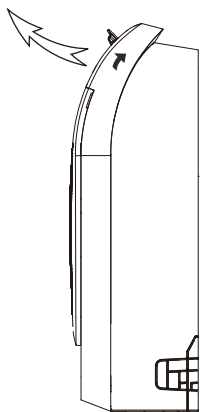
- **Wenn Kühlung**

Stellen Sie die Jalousie nach unten (horizontal).




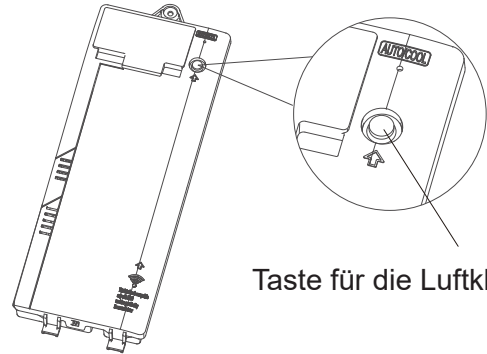
- **Wenn die Heizung**

Stellen Sie die Jalousie vertikal ein.



- **Einstellung des Schalters für die untere Luftklappe**

Unter der Voraussetzung, dass die Umgebungstemperatur eingehalten wird, kann die untere Luftklappe beim Einschalten des Geräts geöffnet werden. Um zu wählen, ob die untere Luftklappe ein- oder ausgeschaltet ist, verwenden Sie die Taste auf der elektrischen Steuereinheit. Drücken Sie innerhalb von 10 Minuten nach dem Einschalten die Taste  für 5 Sekunden, um in den Standby-Modus zu gelangen. Drücken Sie die Taste, um die untere Luftklappe zu öffnen oder zu schließen.



Taste für die Luftklappe

Elektrischer Schaltkasten

HINWEIS: Während des Einstellvorgangs zeigt das Anzeigefeld den Schaltzustand der unteren Luftklappe an.
ein - offen
aus - geschlossen

VORSICHT

Versuchen Sie nicht, die horizontale Jalousie von Hand zu verstellen. Dadurch kann der Mechanismus beschädigt werden und es kann sich Kondenswasser an den Luftauslässen bilden.

Pflege und Wartung

Reinigung Ihres Innengeräts

⚠ VOR DER REINIGUNG ODER WARTUNG

SCHALTEN SIE IHRE KLIMAAANLAGE IMMER AUS UND TRENNEN SIE SIE VON DER STROMVERSORGUNG, BEVOR SIE SIE REINIGEN ODER WARTEN.

⚠ VORSICHT

Wischen Sie das Gerät nur mit einem weichen, trockenen Tuch ab.
Wenn das Gerät besonders schmutzig ist, können Sie es mit einem in warmem Wasser getränkten Tuch abwischen.

- Verwenden Sie zur Reinigung des Geräts **keine** Chemikalien oder chemisch behandelte Tücher.
- Verwenden Sie zur Reinigung des Geräts **kein** Benzol, Farbverdünner, Polierpulver oder andere Lösungsmittel. Sie können dazu führen, dass die Kunststoffoberfläche Risse bekommt oder sich verformt.
- Verwenden Sie **kein** Wasser, das heißer als 40°C (104°F) ist, um die Frontplatte zu reinigen. Dies kann zu einer Verformung oder Verfärbung der Frontplatte führen.

Reinigung Ihres Luftfilters

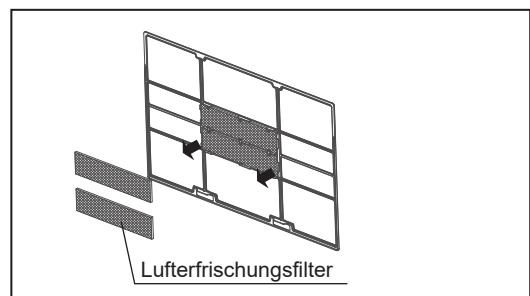
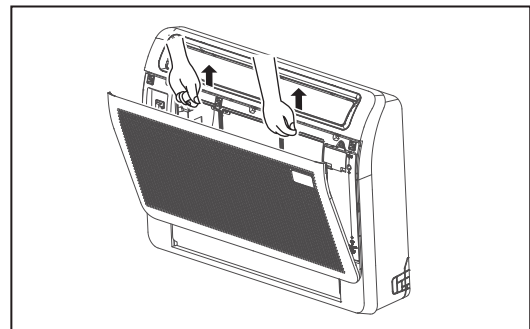
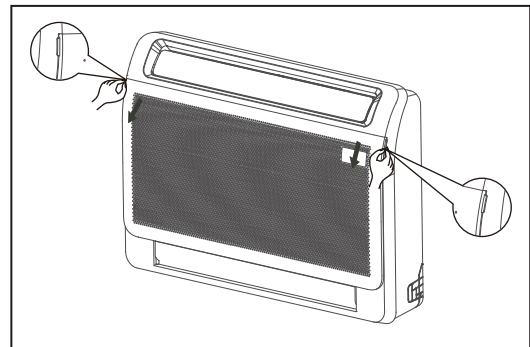
Ein verstopftes Klimagerät kann die Kühleffizienz Ihres Geräts verringern und ist außerdem schlecht für Ihre Gesundheit. Achten Sie darauf, den Filter alle zwei Wochen zu reinigen.

⚠ WARNUNG: ENTFERNEN ODER REINIGEN SIE DEN FILTER NICHT SELBST

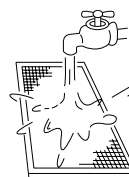
Das Entfernen und Reinigen des Filters kann gefährlich sein. Der Ausbau und die Wartung müssen von einem zertifizierten Techniker durchgeführt werden.

1. Ziehen Sie an den linken und rechten Griffen der Frontblende, ziehen Sie die Blende nach außen, und öffnen Sie die Blende.
2. Entfernen Sie den Luftfilter. Drücken Sie die Krallen auf der rechten und linken Seite des Luftfilters leicht nach unten und ziehen Sie sie dann nach oben.
3. Halten Sie die Laschen des Rahmens und entfernen Sie die 4 Krallen. (Der Spezialfunktionsfilter kann alle 6 Monate mit Wasser gewaschen werden. Es wird empfohlen, ihn alle 3 Jahre zu ersetzen).

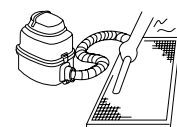
4. Reinigen Sie den Luftfilter, indem Sie die Oberfläche absaugen oder in warmem Wasser mit einem milden Reinigungsmittel waschen.
5. Spülen Sie den Filter mit sauberem Wasser und lassen Sie ihn an der Luft trocknen. Lassen Sie den Filter **NICHT** in direktem Sonnenlicht trocknen.
6. Setzen Sie den Filter wieder ein.



Bei Verwendung von Wasser sollte die Einlassseite nach unten und weg vom Wasserstrahl zeigen.



Bei Verwendung eines Staubsaugers sollte die Einlassseite zum Staubsauger zeigen.



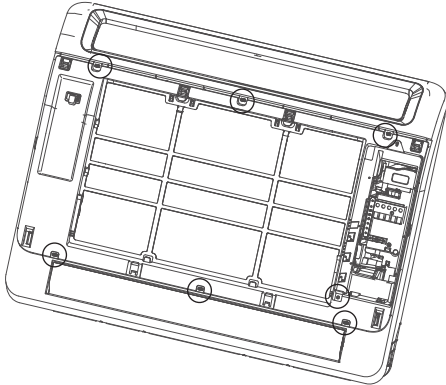


VORSICHT

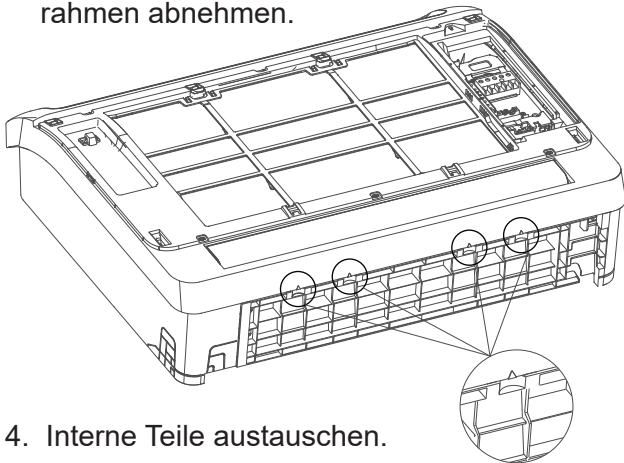
- Schalten Sie das Gerät vor dem Filterwechsel oder der Reinigung aus und trennen Sie es von der Stromversorgung.
- Wenn Sie den Filter entfernen, berühren Sie keine Metallteile im Gerät. An den scharfen Metallkanten können Sie sich schneiden.
- Verwenden Sie kein Wasser, um das Innere des Innengeräts zu reinigen. Dies kann die Isolierung zerstören und einen elektrischen Schlag verursachen.
- Setzen Sie den Filter beim Trocknen nicht dem direkten Sonnenlicht aus. Dadurch kann der Filter schrumpfen.
- Alle Wartungs- und Reinigungsarbeiten am Außengerät sollten von einem autorisierten Händler oder einem zugelassenen Dienstleister durchgeführt werden.
- Alle Reparaturen am Gerät sollten von einem autorisierten Händler oder einem zugelassenen Dienstleister durchgeführt werden.

Interne Teile austauschen

1. Ziehen Sie an den linken und rechten Griffen der Frontblende, ziehen Sie die Blende nach außen, und öffnen Sie die Blende.
2. 7 Schrauben am Frontrahmen entfernen.



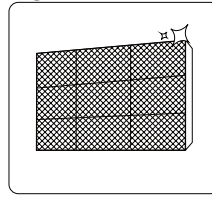
3. Den mit dem Pfeil gekennzeichneten Schnappverschluss schließen und den Gesichtsrahmen abnehmen.



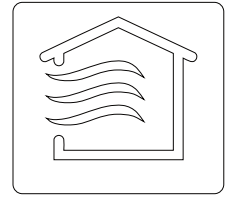
4. Interne Teile austauschen.
5. Bringen Sie den Frontrahmen und die Verkleidungsteile an.

Wartung -Lange Zeiträume der Nichtbenutzung

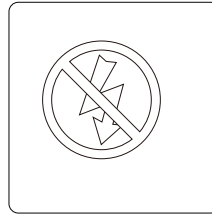
Wenn Sie planen, Ihr Klimagerät über einen längeren Zeitraum nicht zu benutzen, gehen Sie wie folgt vor



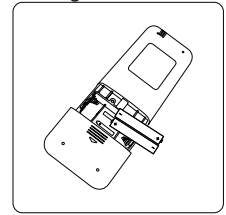
Alle Filter reinigen



Schalten Sie die FAN-Funktion ein, bis das Gerät vollständig abgetrocknet ist.



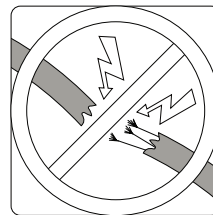
Schalten Sie das Gerät aus und ziehen Sie den Netzstecker.



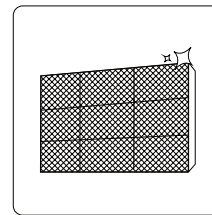
Batterien aus der Fernbedienung entfernen

Wartung - Inspektion vor der Saison

Führen Sie nach längerem Nichtgebrauch oder vor häufigem Gebrauch folgende Maßnahmen durch:



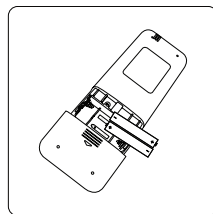
Auf beschädigte Drähte prüfen



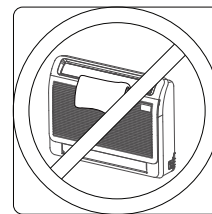
Alle Filter reinigen



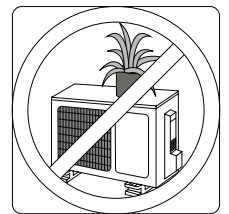
Auf undichte Stellen prüfen



Batterien austauschen



Vergewissern Sie sich, dass alle Luften- und -auslässe nicht blockiert sind.



HINWEIS: Spannen oder hängen Sie keine Gegenstände an den Luftauslass. Stellen Sie den automatischen Luftabweiser nicht mit der Hand ein und greifen Sie nicht in den Luftschacht. Decken Sie den Lufteinlass und -auslass des Geräts nicht mit Gegenständen ab.

Fehlersuche



SICHERHEITSVORKEHRUNGEN

Wenn eine der folgenden Bedingungen eintritt, schalten Sie Ihr Gerät sofort aus!

- Das Netzkabel ist beschädigt oder ungewöhnlich warm
- Sie riechen einen Brandgeruch
- Das Gerät gibt laute oder abnormale Geräusche ab
- Eine Sicherung brennt durch oder der Schutzschalter löst häufig aus
- Wasser oder andere Gegenstände in das Gerät oder aus dem Gerät fallen

VERSUCHEN SIE NICHT, DIESE SELBST ZU REPARIEREN! WENDEN SIE SICH SOFORT AN EINEN AUTORISIERTEN SERVICEANBIETER!

Gemeinsame Probleme

Die folgenden Probleme stellen keine Fehlfunktion dar und erfordern in den meisten Fällen keine Reparatur.

Ausgabe	Mögliche Ursachen
Gerät schaltet sich beim Drücken der Taste ON/OFF nicht ein	Das Gerät verfügt über eine 3-Minuten-Schutzfunktion, die eine Überlastung des Geräts verhindert. Das Gerät kann innerhalb von drei Minuten nach dem Ausschalten nicht neu gestartet werden.
	Modelle für Kühlung und Heizung: Wenn die Betriebsleuchte und die PRE-DEF-Anzeige (Vorheizen/Abtauen) leuchten oder die Betriebsleuchte leuchtet und auf dem LCD-Bildschirm "dF" angezeigt wird, ist die Außentemperatur zu kalt und der Kälteschutz des Geräts wird aktiviert, um das Gerät abzutauen.
Das Gerät wechselt vom COOL-Modus in den FAN-Modus	Das Gerät kann seine Einstellung ändern, um zu verhindern, dass sich Frost auf dem Gerät bildet. Sobald die Temperatur steigt, arbeitet das Gerät wieder im zuvor gewählten Modus.
	Wenn die eingestellte Temperatur erreicht ist, schaltet das Gerät den Kompressor ab. Das Gerät arbeitet weiter, wenn die Temperatur wieder schwankt.
Das Innengerät gibt weißen Nebel ab	In feuchten Regionen kann ein großer Temperaturunterschied zwischen der Raumluft und der klimatisierten Luft weißen Nebel verursachen.
Sowohl das Innen- als auch das Außengerät geben weißen Nebel ab	Wenn das Gerät nach dem Abtauen im HEIZEN-Modus neu startet, kann aufgrund der beim Abtauen entstehenden Feuchtigkeit weißer Nebel austreten.
Das Innengerät macht Geräusche	Ein quietschendes Geräusch ist zu hören, wenn das System ausgeschaltet oder im COOL-Modus ist. Das Geräusch ist auch zu hören, wenn die Entwässerungspumpe (optional) in Betrieb ist.
	Nach dem Betrieb des Geräts im HEIZEN-Modus kann aufgrund der Ausdehnung und Kontraktion der Kunststoffteile des Geräts ein Quietschgeräusch auftreten.
Sowohl das Innengerät als auch das Außengerät machen Geräusche	Leises Zischgeräusch während des Betriebs: Dies ist normal und wird durch das Kältemittelgas verursacht, das sowohl durch das Innen- als auch das Außengerät fließt.
	Leises Zischgeräusch, wenn das System startet, gerade aufgehört hat zu laufen oder abgetaut wird: Dieses Geräusch ist normal und wird durch das Anhalten oder die Richtungsänderung des Kältemittelgases verursacht.
	Quietschende Geräusche: Die normale Ausdehnung und Kontraktion von Kunststoff- und Metallteilen aufgrund von Temperaturschwankungen während des Betriebs kann Quietschgeräusche verursachen.

Ausgabe	Mögliche Ursachen
Das Außengerät macht Geräusche	Je nach Betriebsmodus gibt das Gerät unterschiedliche Töne von sich.
Staub wird entweder aus dem Innen- oder Außengerät ausgestoßen	Wenn das Gerät längere Zeit nicht benutzt wird, kann sich Staub ansammeln, der beim Einschalten des Geräts freigesetzt wird. Dies kann durch Abdecken des Geräts bei längerem Nichtgebrauch gemildert werden.
Das Gerät verströmt einen schlechten Geruch	Das Gerät kann Gerüche aus der Umgebung (z. B. Möbel, Kochen, Zigaretten usw.) absorbieren, die während des Betriebs freigesetzt werden.
	Die Filter des Geräts sind verschimmelt und sollten gereinigt werden.
Der Ventilator des Außengeräts funktioniert nicht	Während des Betriebs wird die Lüftergeschwindigkeit gesteuert, um den Betrieb des Produkts zu optimieren.

HINWEIS: Wenn das Problem weiterhin besteht, wenden Sie sich an einen Händler oder das nächstgelegene Kundendienstzentrum. Geben Sie eine detaillierte Beschreibung der Fehlfunktion des Geräts sowie Ihre Modellnummer an.

Fejlfinding

Wenn Probleme auftreten, überprüfen Sie bitte die folgenden Punkte, bevor Sie sich an eine Reparaturfirma wenden.

Problem	Mögliche Ursachen	Lösung
Schlechte Kühlleistung	Die Temperatureinstellung kann höher sein als die Raumtemperatur	Senken Sie die Temperatureinstellung
	Der Wärmetauscher am Innen- oder Außengerät ist verschmutzt	Reinigen Sie den betroffenen Wärmetauscher
	Der Luftfilter ist verschmutzt	Entfernen Sie den Filter und reinigen Sie ihn gemäß den Anweisungen
	Der Lufteinlass oder -auslass eines der beiden Geräte ist blockiert	Schalten Sie das Gerät aus, entfernen Sie das Hindernis und schalten Sie es wieder ein.
	Türen und Fenster sind offen	Stellen Sie sicher, dass alle Türen und Fenster während des Betriebs des Geräts geschlossen sind.
	Übermäßige Hitze wird durch Sonnenlicht erzeugt	Schließen Sie Fenster und Vorhänge bei großer Hitze oder starker Sonneneinstrahlung
	Zu viele Wärmequellen im Raum (Menschen, Computer, Elektronik usw.)	Reduzieren Sie die Anzahl der Wärmequellen
	Kältemittelmangel aufgrund von Leckagen oder Langzeitbetrieb	Auf undichte Stellen prüfen, ggf. neu abdichten und Kältemittel nachfüllen


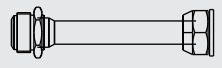
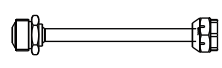




Problem	Mögliche Ursachen	Lösung
Das Gerät funktioniert nicht	Stromausfall	Warten Sie auf die Wiederherstellung der Stromversorgung
	Der Strom ist ausgeschaltet	Schalten Sie den Strom ein
	Die Sicherung ist durchgebrannt	Ersetzen Sie die Sicherung
	Die Batterien der Fernbedienung sind leer	Batterien austauschen
	Der 3-Minuten-Schutz des Geräts wurde aktiviert.	Warten Sie nach dem Neustart des Geräts drei Minuten
	Timer ist aktiviert	Timer ausschalten
Das Gerät startet und stoppt häufig	Es ist zu viel oder zu wenig Kältemittel im System	Prüfen Sie auf undichte Stellen und füllen Sie das System mit Kältemittel auf.
	Inkompressibles Gas oder Feuchtigkeit ist in das System eingedrungen.	Evakuieren Sie das System und füllen Sie es mit Kältemittel auf.
	Systemkreislauf ist blockiert	Stellen Sie fest, welcher Stromkreis blockiert ist, und ersetzen Sie das defekte Gerät.
	Der Kompressor ist kaputt	Den Kompressor austauschen
	Die Spannung ist zu hoch oder zu niedrig	Installieren Sie einen Manostat, um die Spannung zu regeln.
Schlechte Heizleistung	Die Außentemperatur ist extrem niedrig	Zusätzliche Heizvorrichtung verwenden
	Kalte Luft dringt durch Türen und Fenster ein	Stellen Sie sicher, dass alle Türen und Fenster während der Benutzung geschlossen sind.
	Kältemittelmangel aufgrund von Leckagen oder Langzeitbetrieb	Auf undichte Stellen prüfen, ggf. neu abdichten und Kältemittel nachfüllen
Anzeigelampen blinken weiter	<p>Das Gerät kann den Betrieb einstellen oder sicher weiterlaufen. Wenn die Anzeigelampen weiterhin blinken oder Fehlercodes angezeigt werden, warten Sie etwa 10 Minuten lang. Das Problem kann sich von selbst beheben. Ist dies nicht der Fall, unterbrechen Sie die Stromzufuhr und schließen Sie sie dann wieder an. Schalten Sie das Gerät ein. Wenn das Problem weiterhin besteht, unterbrechen Sie die Stromzufuhr und wenden Sie sich an das nächstgelegene Kundendienstzentrum.</p>	
Der Fehlercode erscheint im Fenster des Innengeräts und beginnt mit den folgenden Buchstaben: <ul style="list-style-type: none"> •E(x), P(x), F(x) •EH(xx), EL(xx), EC(xx) •PH(xx), PL(xx), PC(xx) 		


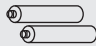
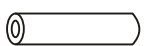
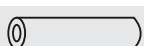
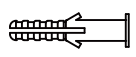




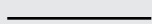

HINWEIS: Wenn das Problem nach Durchführung der oben genannten Prüfungen und Diagnosen weiterhin besteht, schalten Sie das Gerät sofort aus und wenden Sie sich an ein autorisiertes Service-Center.

Zubehör

Die Klimaanlage wird mit dem folgenden Zubehör geliefert. Verwenden Sie alle Installationsteile und Zubehörteile, um die Klimaanlage zu installieren. Eine unsachgemäße Installation kann zu Wassertritt, Stromschlag und Brand führen oder einen Ausfall der Anlage verursachen. Die Teile, die nicht im Lieferumfang der Klimaanlage enthalten sind, müssen separat erworben werden.

Zubehör

Name des Zubehörs	Menge (Stk)	Form
Handbuch	2~4	
Übergabestecker (ΦΦ 12.7-ΦΦ15.9) (einige Modelle)	1	
Übergabestecker (ΦΦ 6.35-ΦΦ9.52) (einige Modelle)	1	
Übergabestecker (ΦΦ 9.52-ΦΦ12,7) (einige Modelle)	1	
Magnetring (wickeln Sie die elektrischen Drähte S1 & S2 (P & Q & E) zweimal um den Magnetring) (einige Modelle)	1	 S1&S2(P&Q&E)
Magnetring (nach der Installation auf das Verbindungskabel zwischen Innen- und Außengerät aufstecken). (einige Modelle)	1	
Kabelgebundene Fernbedienung (einige Modelle)	1	

Name des Zubehörs	Menge (Stk)	Form
Fernbedienung (einige Modelle)	1	
Batterie (einige Modelle)	2	
Schalldichter / isolierender Mantel (einige Modelle)	2	
Wärmedämmungsrohr	1	
Verankerung	6 (je nach Modell)	
Befestigungsschraube der Montageplatte	6 (je nach Modell)	
Entleerungsstutzen (einige Modelle)	1	
Dichtungsring (einige Modelle)	1	
Kupfernuss	2	
Rotes kurzgeschlossenes Kabel (einige Modelle)	1	
Lufterfrischungsfilter (einige Modelle)	2	

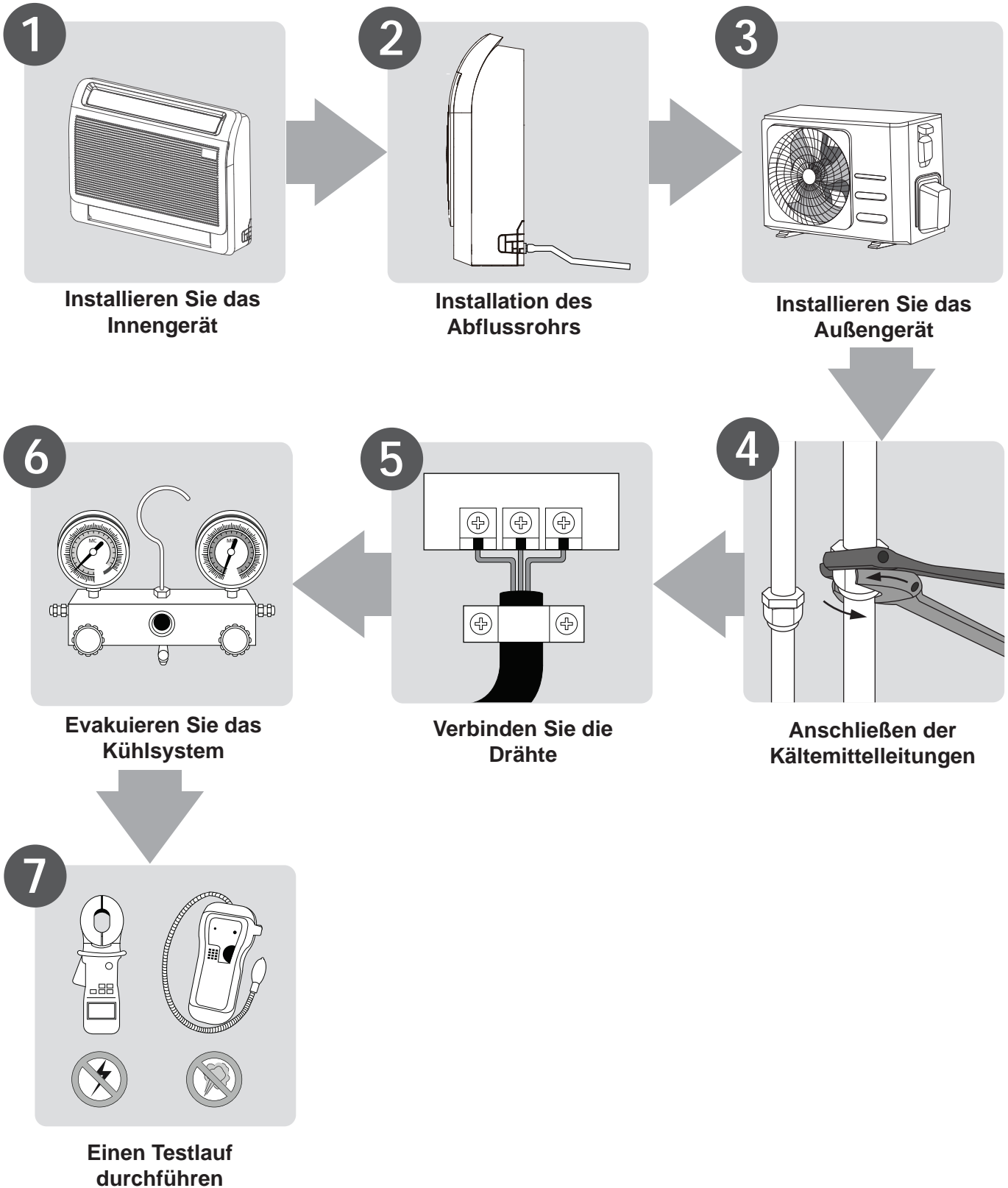
Optionales Zubehör

- Es gibt zwei Arten von Fernbedienungen: kabelgebundene und kabellose. Wählen Sie eine Fernbedienung nach den Wünschen und Anforderungen des Kunden aus und installieren Sie sie an einem geeigneten Ort. Hinweise zur Auswahl einer geeigneten Fernbedienung finden Sie in Katalogen und technischer Literatur.

Name	Form	Menge(Stk)
Montage der Verbindungslleitung	Flüssige Seite	Φ6,35(1/4 Zoll)
		Φ9,52 (3/8 Zoll)
		Φ12,7(1/2 Zoll)
	Flüssige Seite	Φ9,52 (3/8 Zoll)
		Φ12,7(1/2 Zoll)
		Φ16(5/8 Zoll)
		Φ19(3/4 Zoll)
	Φ22(7/8 Zoll)	

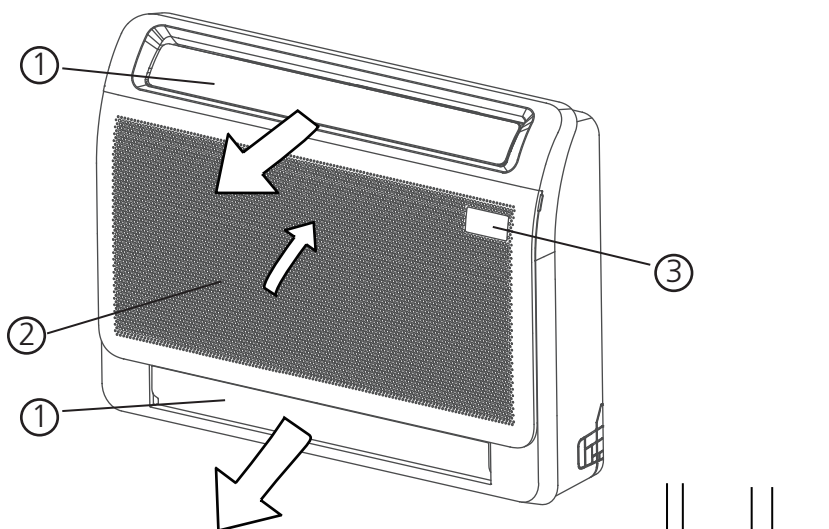
Die Teile müssen Sie separat kaufen. Erkundigen Sie sich bei Ihrem Händler nach der richtigen Rohrgröße für das von Ihnen gekaufte Gerät.

Zusammenfassung der Installation

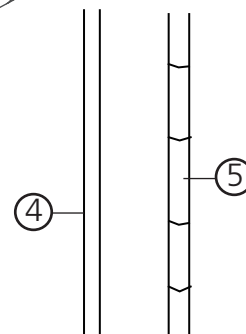


Teile der Einheit

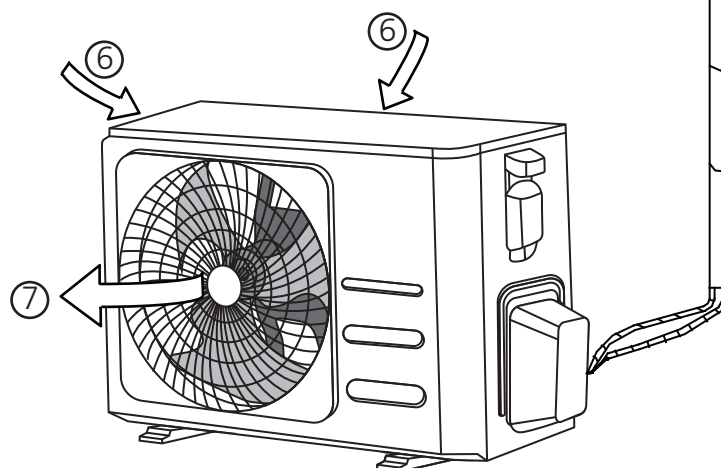
HINWEIS: Die Installation muss in Übereinstimmung mit den Anforderungen der lokalen und nationalen Normen erfolgen. Die Installation kann in verschiedenen Gebieten leicht unterschiedlich sein.



- ① Luftstromjalousie (am Luftauslass)
- ② Lufteinlass (mit eingebautem Luftfilter)
- ③ Anzeigefeld
- ④ Abflussrohr



- ⑤ Verbindungsrohr
- ⑥ Lufteinlass
- ⑦ Luftauslass



ANMERKUNG ZU DEN ABBILDUNGEN

- Die Rohrleitungen können von der linken, rechten, hinteren und unteren Seite des Geräts angeschlossen werden. Bitte wählen Sie die Verrohrungsmethode entsprechend dem tatsächlichen Bedarf.
- Die Abbildungen in diesem Handbuch dienen nur zur Veranschaulichung. Die tatsächliche Form Ihres Innengeräts kann leicht abweichen. Die tatsächliche Form ist ausschlaggebend.

Installation der Inneneinheit

Installationsanleitung - Innengerät

HINWEIS: Die Installation der Schalttafel sollte erst erfolgen, nachdem die Rohrleitungen und die Verkabelung abgeschlossen sind.

Schritt 1: Installationsort auswählen

Bevor Sie das Innengerät installieren, müssen Sie einen geeigneten Standort wählen. Im Folgenden finden Sie Normen, die Ihnen bei der Auswahl eines geeigneten Standorts für das Gerät helfen.

Die korrekten Installationsorte entsprechen den folgenden Normen:

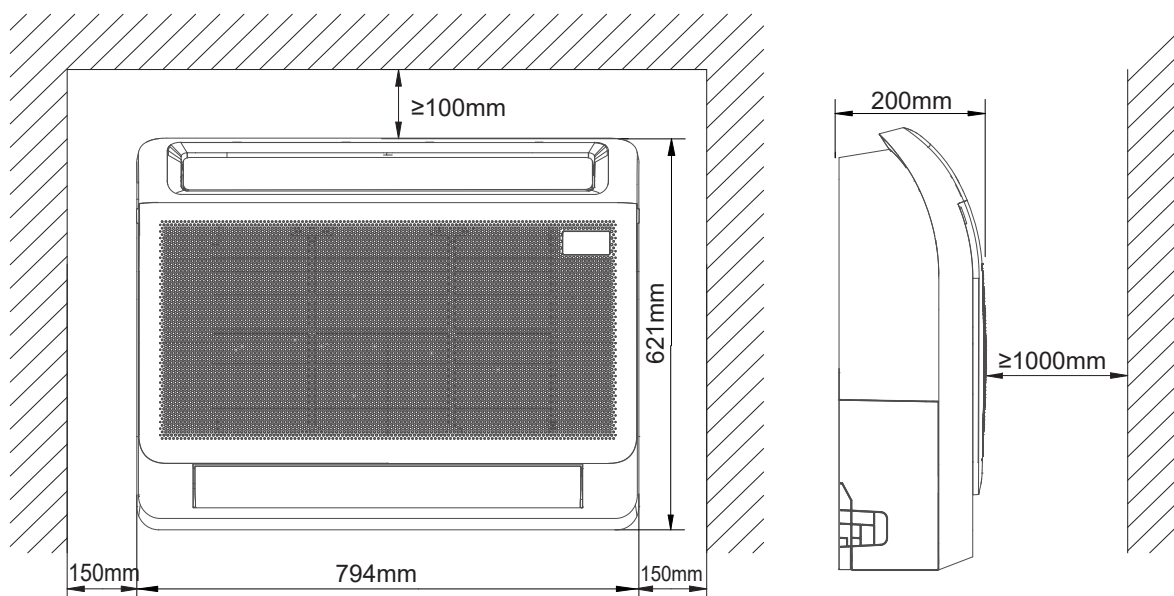
- ✓ Es ist ausreichend Platz für die Installation und Wartung vorhanden.
- ✓ Es ist genügend Platz für den Anschluss der Rohrleitung und des Abflussrohrs vorhanden.
- ✓ Die Decke ist horizontal und kann das Gewicht des Innengeräts tragen.
- ✓ Der Luften- und -auslass ist nicht blockiert.
- ✓ Der Luftstrom kann den gesamten Raum ausfüllen.
- ✓ Es gibt keine direkte Strahlung von Heizgeräten.

Installieren Sie das Gerät **NICHT** an den folgenden Orten:

- ⊘ Gebiete mit Ölbohrungen oder Fracking
- ⊘ Küstengebiete mit hohem Salzgehalt in der Luft
- ⊘ Gebiete mit ätzenden Gasen in der Luft, wie heiße Quellen
- ⊘ Bereiche, in denen es zu Stromschwankungen kommt, wie z. B. in Fabriken
- ⊘ Geschlossene Räume, wie z. B. Schränke
- ⊘ Küchen, die mit Erdgas betrieben werden
- ⊘ Gebiete mit starken elektromagnetischen Wellen
- ⊘ Bereiche, in denen brennbare Materialien oder Gas gelagert werden
- ⊘ Räume mit hoher Luftfeuchtigkeit, wie Bäder oder Waschräume

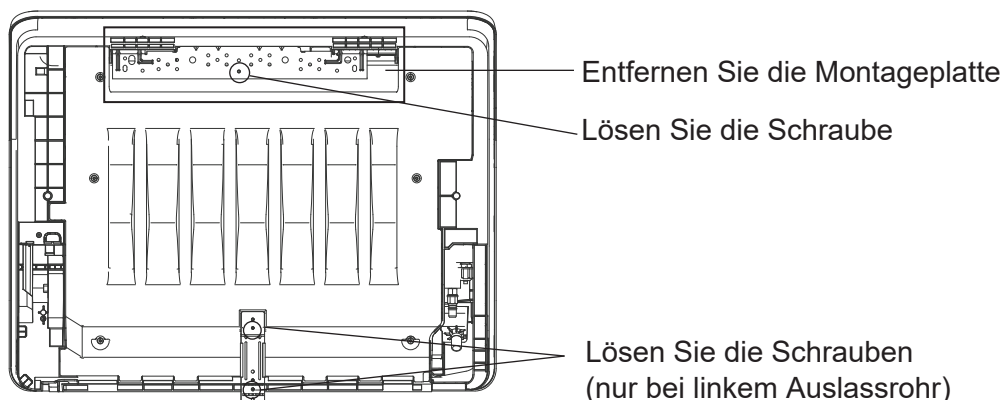
Empfohlene Abstände zwischen den Innengeräten

Der Abstand zwischen den montierten Innengeräten sollte den in der folgenden Abbildung dargestellten Spezifikationen entsprechen.



Schritt 2: Montage des Hauptkörpers

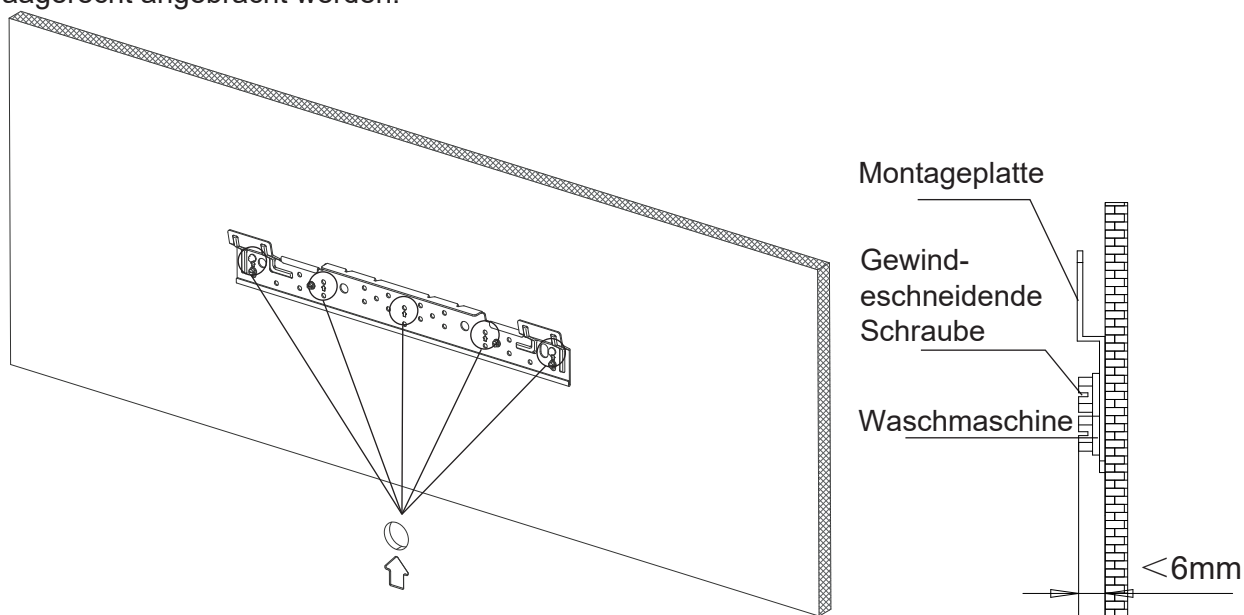
- Nachdem Sie die Schrauben gelöst haben, nehmen Sie die Montageplatte vom Gerät ab.



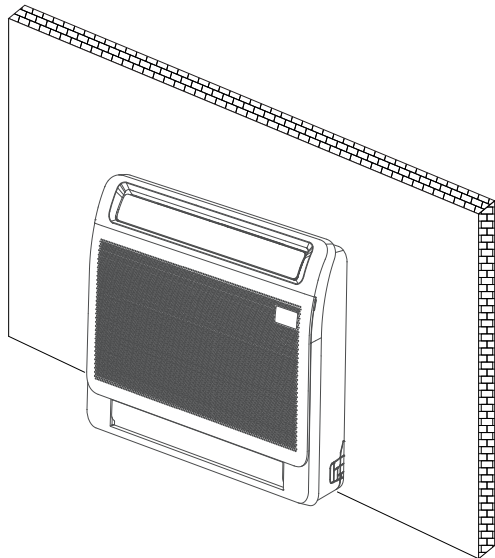
HINWEIS: Wenn das Rohr auf der linken Seite herauskommt, müssen die Schrauben an der unteren Montageplatte gelöst werden. Wenn das Rohr in anderen Richtungen herauskommt, ist dies nicht erforderlich.

- Befestigen Sie die Montageplatte mit einer Blechschraube an der Wand.

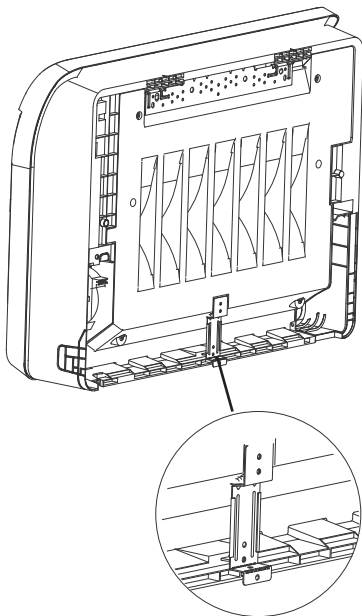
HINWEIS: Es wird empfohlen, das Gerät entsprechend der durch den Pfeil auf der Montageplatte gekennzeichneten Aufhängeöffnung an der Wand zu befestigen. Die Montageplatte muss waagrecht angebracht werden.



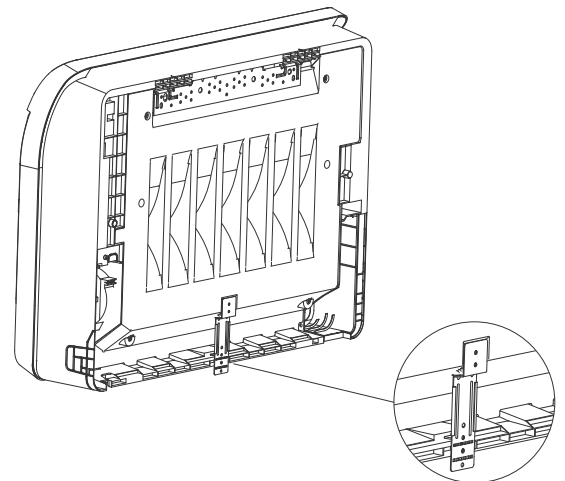
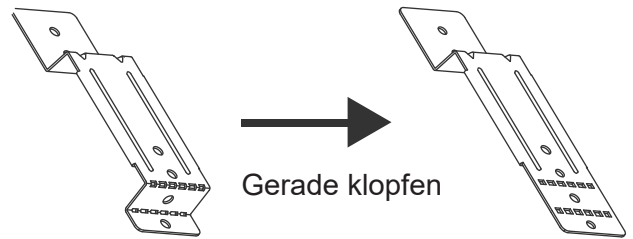
- Hängen Sie das Innengerät an der Montageplatte auf.
(Die Unterseite der Karosserie kann den Boden berühren oder aufgehängt bleiben, aber die Karosserie muss vertikal installiert werden).
HINWEIS: Nach dem Einbau muss das Gerät waagrecht gehalten werden, ohne zu kippen.



- Einbau der unteren Montageplatte
Einbau ohne Sockelleiste
Die untere Montageplatte wird direkt an der Wand befestigt.



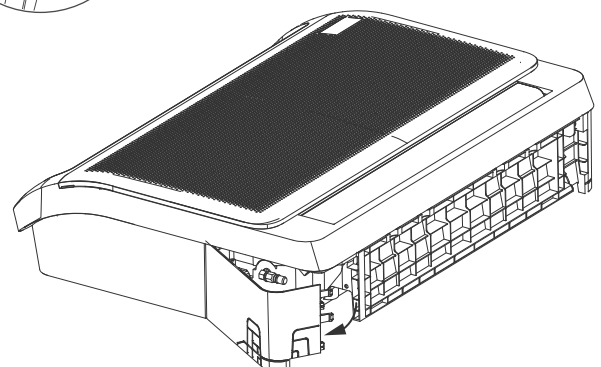
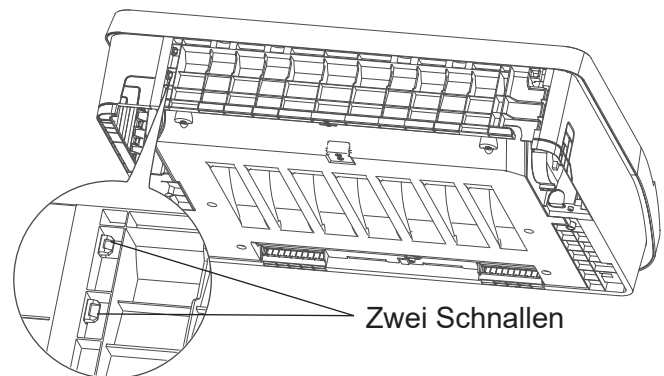
Einbau mit Sockelleiste
Klopfen Sie die untere Montageplatte mit einem Werkzeug gerade und befestigen Sie sie an der Sockelleiste.



Schritt 3: Zerlegen des Innengeräts zum Anschließen der Leitungen

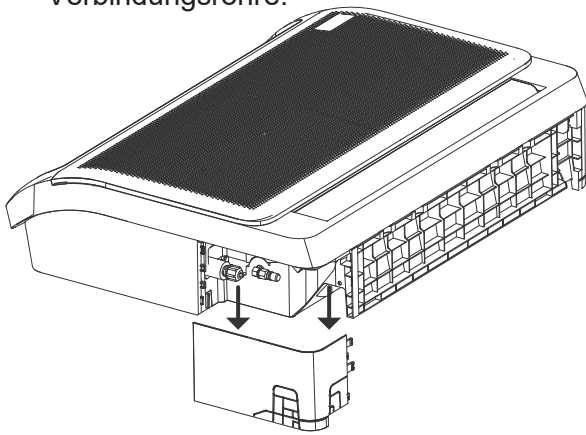
1. Öffnen Sie die Abdeckplatte der unteren Rohrleitung

Drücken und halten Sie die beiden unteren Schnallen und drehen Sie sie dann, um die Paspelabdeckplatte zu öffnen.



2. Entfernen Sie die Abdeckplatte.

Entfernen Sie die Rohrabdeckplatte und installieren Sie die internen und externen Verbindungsrohre.



HINWEIS: Installieren Sie zuerst die kleinen und dann die großen Rohrleitungen.

HINWEIS: Alle Abbildungen in diesem Handbuch dienen nur zu Demonstrationszwecken. Das von Ihnen gekaufte Klimagerät kann trotz ähnlicher Form etwas anders aufgebaut sein.

Schritt 4: Netzwerkadresse einstellen (einige Modelle)

(nur bei optionalen Multifunktionskarten mit XYE-Schnittstelle)

Jedes Klimagerät im Netzwerk hat nur eine Netzwerkadresse, um sich gegenseitig zu unterscheiden. Der Adresscode des Klimageräts im LAN wird mit den Codierschaltern F1 und ENC3 auf der Multifunktionsplatine des Innengeräts eingestellt, der Einstellbereich beträgt 0-63. (mit optionaler Multifunktionsplatine)

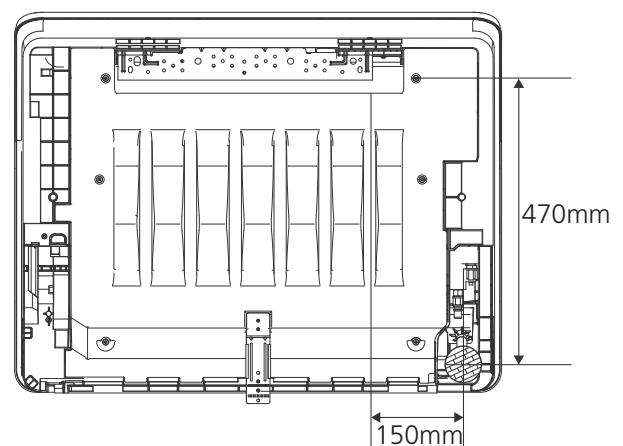
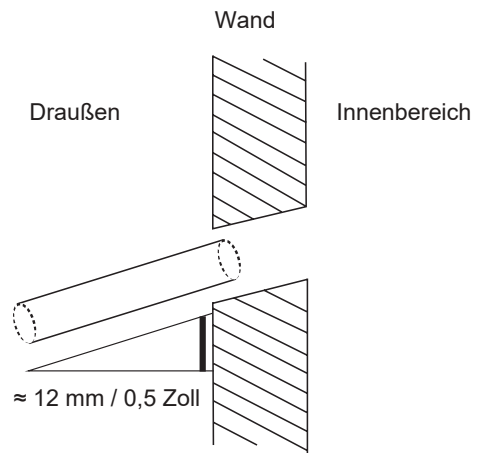
Kippschalter eingestellt		Code der Netzadresse
F1	ENC3	
		00~15
		16~31
		32~47
		48-63

Schritt 5: Wandloch für die Verbindungsleitung bohren

- Bestimmen Sie die Position des Wandlochs anhand des Standorts des Außengeräts.
- Bohren Sie mit einem 65mm oder 90mm (je nach Modell) Kernbohrer ein Loch in die Wand. Achten Sie darauf, dass das Loch in einem leichten Winkel nach unten gebohrt wird, so dass die Außenseite des Lochs etwa 12 mm tiefer als die Innenseite liegt. Dadurch wird ein ordnungsgemäßer Wasserabfluss gewährleistet.
- Legen Sie die Schutzmanschette in das Loch. Dies schützt die Ränder des Lochs und hilft bei der Abdichtung, wenn Sie den Installationsprozess abschließen.

! VORSICHT

Achten Sie beim Bohren des Wandlochs darauf, dass Sie Kabel, Rohrleitungen und andere empfindliche



Empfohlene Position und Größe des hinteren Abflussrohrs durch die Wandöffnung

Schritt 6: Abflussschlauch anschließen

Das Abflussrohr dient dazu, Wasser aus dem Gerät abzuleiten. Eine unsachgemäße Installation kann zu Geräte- und Sachschäden führen.

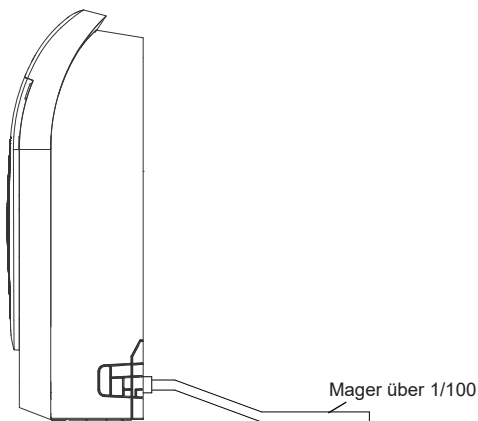
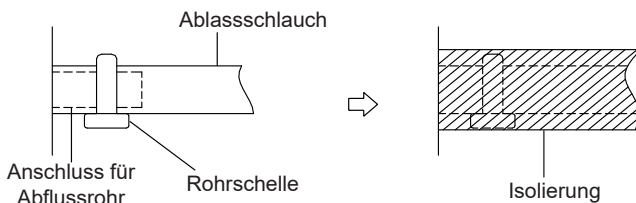
VORSICHT

- Isolieren Sie alle Rohrleitungen, um Kondensation zu vermeiden, die zu Wasserschäden führen könnte.
- Wenn das Abflussrohr gebogen oder falsch installiert ist, kann Wasser austreten und eine Fehlfunktion des Wasserstandsschalters verursachen.
- Im HEIZEN-Modus lässt das Außengerät Wasser ab. Achten Sie darauf, dass der Abflussschlauch an einer geeigneten Stelle angebracht wird, um Wasserschäden und Ausrutschen zu vermeiden.
- Ziehen Sie NICHT gewaltsam am Abflussrohr. Dadurch könnte es sich lösen.

HINWEIS ZUM KAUF VON ROHREN

Für die Installation wird ein Polyethylenrohr (Außendurchmesser = 3,7-3,9 cm, Innendurchmesser = 3,2 cm) benötigt, das Sie in Ihrem Fachgeschäft oder im Fachhandel erwerben können.

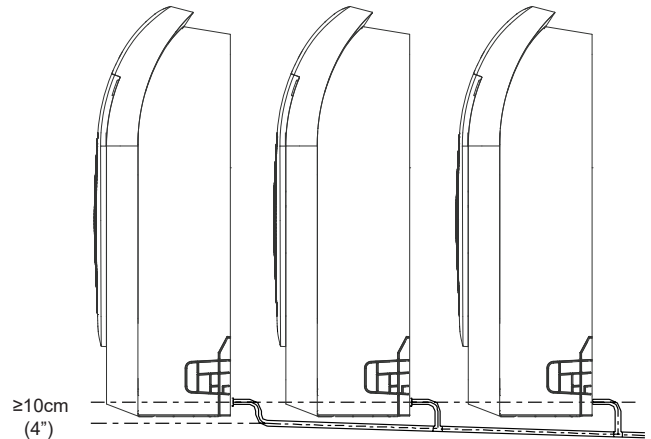
1. decken Sie das Abflussrohr mit einer Wärmedämmung ab, um Kondenswasser und Leckagen zu vermeiden.
2. Befestigen Sie die Mündung des Abflussschlauchs am Abflussrohr des Geräts. Ummanteln Sie die Schlauchmündung und befestigen Sie sie mit einer Rohrschelle.



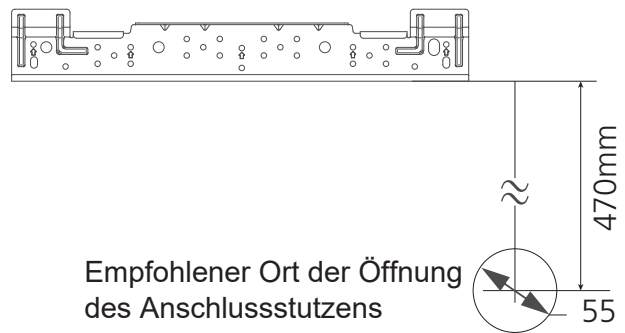
HINWEIS ZUM EINBAU VON ABFLUSSROHREN

- Bei Verwendung eines verlängerten Abflussrohrs ist der Innenanschluss mit einem zusätzlichen Schutzrohr zu versehen. Dadurch wird verhindert, dass er sich löst.
- Das Abflussrohr sollte mit einem Gefälle von mindestens 1/100 abwärts verlaufen, um zu verhindern, dass Wasser in die Klimaanlage zurückfließt.
- Falsche Installation kann dazu führen, dass Wasser in das Gerät zurückfließt und es überflutet.

HINWEIS: Wenn Sie mehrere Abflussrohre anschließen, verlegen Sie die Rohre wie abgebildet.

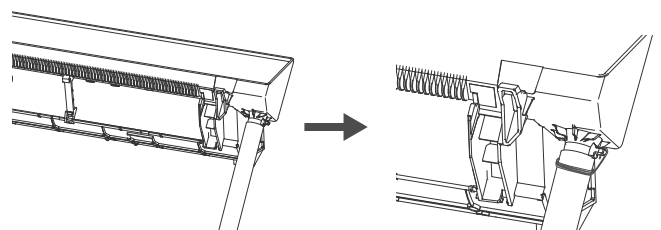


Um einen reibungslosen Abfluss zu gewährleisten, muss der Höhenunterschied zwischen dem Wandauslass und der Aufhängeplatte größer als 470 mm sein.



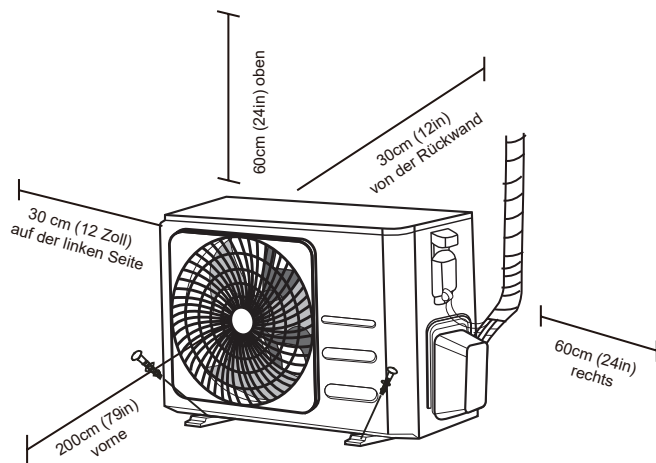
Anforderungen an die Befestigung von Entwässerungsrohren

Wenn Sie das Abflussrohr (nicht im Lieferumfang enthalten) installieren, befestigen Sie es bitte mit einer Schnur oder einem Seil.



Installation der Außeneinheit

Installieren Sie das Gerät unter Beachtung der örtlichen Vorschriften und Bestimmungen, die von Region zu Region leicht abweichen können.



Installationsanleitung - Außengerät

Schritt 1: Installationsort auswählen

Bevor Sie das Außengerät installieren, müssen Sie einen geeigneten Standort wählen. Im Folgenden finden Sie Normen, die Ihnen bei der Auswahl eines geeigneten Standorts für das Gerät helfen.

Die korrekten Installationsorte entsprechen den folgenden Normen:

- ✓ Erfüllt alle räumlichen Anforderungen, die im Abschnitt "Platzbedarf für die Installation" oben aufgeführt sind.
- ✓ Gute Luftzirkulation und Belüftung
- ✓ Fest und solide - der Standort kann das Gerät tragen und vibriert nicht
- ✓ Die Geräusche des Geräts stören andere nicht.
- ✓ Geschützt vor längerer direkter Sonneneinstrahlung oder Regen
- ✓ Wenn Schneefall zu erwarten ist, ergreifen Sie geeignete Maßnahmen, um Eisbildung und Schäden an den Spulen zu vermeiden.

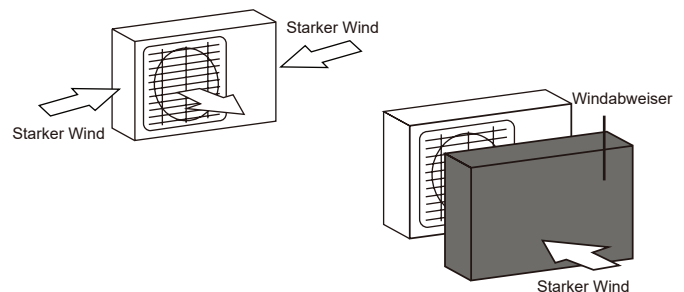
Installieren Sie das Gerät **NICHT** an den folgenden Orten:

- ⊘ in der Nähe eines Hindernisses, das die Luften- und -auslässe blockieren könnte
- ⊘ in der Nähe einer öffentlichen Straße, in belebten Gegenden oder an Orten, an denen der Lärm des Geräts andere Menschen stören könnte
- ⊘ r Tiere oder Pflanzen, die durch den Heißluftausstoß geschädigt werden
- ⊘ In der Nähe einer Quelle für brennbare Gase
- ⊘ An einem Ort, der großen Mengen an Staub ausgesetzt ist
- ⊘ An einem Ort, der einer übermäßigen Menge an salzhaltiger Luft ausgesetzt ist

BESONDERE ÜBERLEGUNGEN BEI EXTREMEN WETTERBEDINGUNGEN

Wenn das Gerät starkem Wind ausgesetzt ist:

Installieren Sie das Gerät so, dass der Luftauslassventilator in einem Winkel von 90° zur Windrichtung steht. Falls erforderlich, bauen Sie eine Barriere vor dem Gerät, um es vor extrem starkem Wind zu schützen. Siehe nachstehende Abbildungen.



Wenn das Gerät häufig starkem Regen oder Schnee ausgesetzt ist:

Bauen Sie einen Unterstand über dem Gerät, um es vor Regen oder Schnee zu schützen. Achten Sie darauf, dass der Luftstrom um das Gerät herum nicht behindert wird.

Wenn das Gerät häufig salzhaltiger Luft ausgesetzt ist (am Meer):

Verwenden Sie ein Außengerät, das speziell für den Schutz vor Korrosion ausgelegt ist.

Schritt 2: Installieren der Abflussverbindung (nur bei Wärmepumpengeräten)

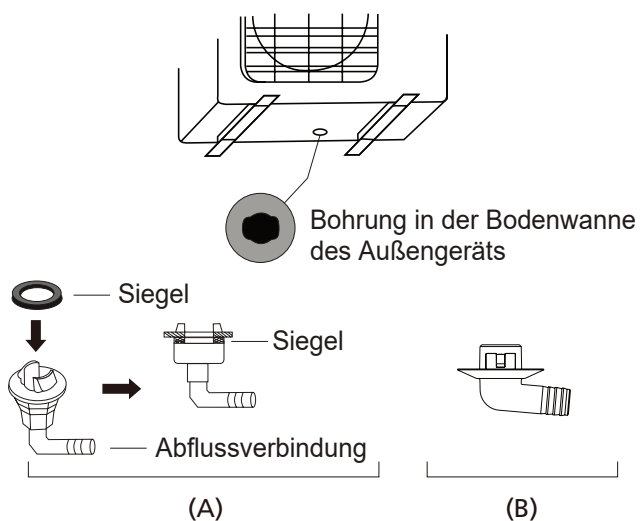
Bevor Sie das Außengerät festschrauben, müssen Sie den Ablaufstutzen an der Unterseite des Geräts installieren. Beachten Sie, dass es je nach Typ des Außengeräts zwei verschiedene Arten von Ablaufstutzen gibt.

Wenn der Abflussanschluss mit einer Gummidichtung versehen ist (siehe Abb. A), gehen Sie wie folgt vor:

1. Bringen Sie die Gummidichtung am Ende der Abflussverbindung an, die an das Außengerät angeschlossen wird.
2. Stecken Sie den Ablaufstutzen in das Loch in der Bodenwanne des Geräts.
3. Drehen Sie den Ablaufstutzen um 90°, bis er an der Vorderseite des Geräts einrastet.
4. Schließen Sie eine Ablaufschlauchverlängerung (nicht im Lieferumfang enthalten) an den Ablaufstutzen an, um das Wasser während des Heizbetriebs aus dem Gerät zu leiten.

Wenn der Abflussanschluss nicht mit einer Gummidichtung versehen ist (siehe Abb. B), gehen Sie wie folgt vor:

1. Stecken Sie den Ablaufstutzen in das Loch in der Bodenwanne des Geräts. Der Ablaufstutzen rastet ein.
2. Schließen Sie eine Ablaufschlauchverlängerung (nicht im Lieferumfang enthalten) an den Ablaufstutzen an, um das Wasser während des Heizbetriebs aus dem Gerät zu leiten.



! IN KALTEN KLIMAZONEN

Achten Sie in kalten Klimazonen darauf, dass der Abflussschlauch so senkrecht wie möglich verläuft, damit das Wasser schnell abfließen kann. Wenn das Wasser zu langsam abläuft, kann es im Schlauch gefrieren und das Gerät überfluten.

Schritt 3: Außengerät verankern

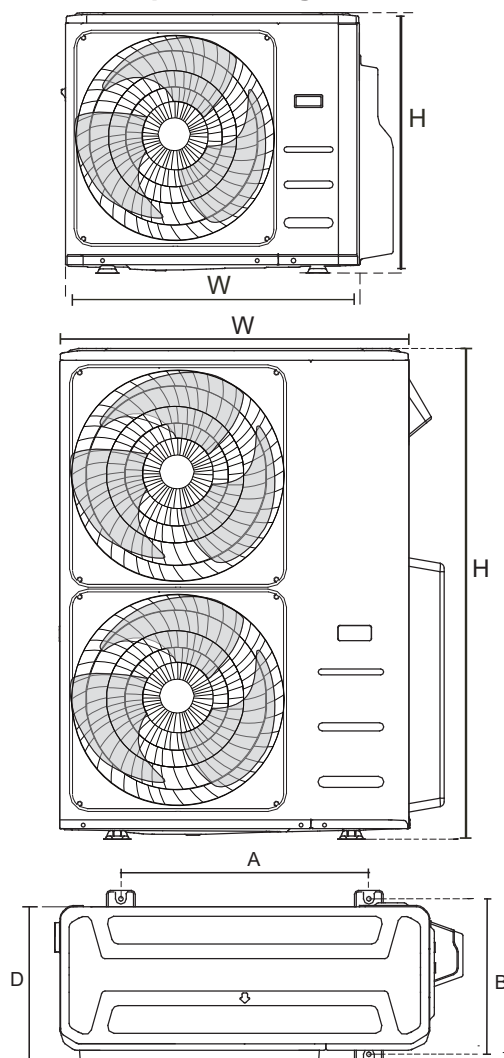
Das Außengerät kann mit einer Schraube (M10) im Boden oder an einer Wandhalterung verankert werden. Bereiten Sie den Montagesockel des Geräts entsprechend den unten aufgeführten Abmessungen vor.

EINBAUMASSE DES GERÄTS

Nachfolgend finden Sie eine Liste der verschiedenen Größen von Außengeräten und den Abstand zwischen ihren Montagefüßen. Bereiten Sie den Montagesockel des Geräts entsprechend den unten aufgeführten Abmessungen vor.

Außengerätetypen und Spezifikationen

Split-Außengerät



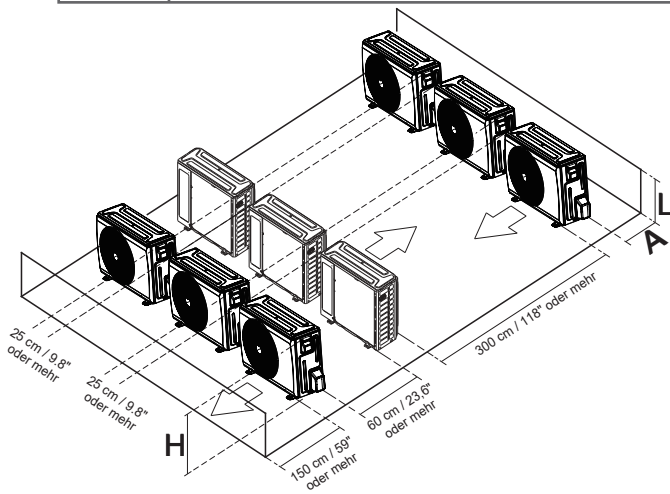
(Einheit: mm/Zoll)

Außengerät Abmessungen W x H x D	Montage Abmessungen	
	Abstand A	Abstand B
765x555x303 (30.1x21.8x11.9)	452 (17.8)	286(11.3)
805x554x330 (31.7x21.8x12.9)	511 (20.1)	317 (12.5)

Reihen von Serieninstallationen

Die Beziehungen zwischen H, A und L sind wie folgt.

	L	A
$L \leq H$	$L \leq 1/2H$	25 cm / 9.8" oder mehr
	$1/2H < L \leq H$	30 cm / 11.8" oder mehr
$L > H$	Kann nicht installiert werden	



Kältemittel-Rohrleitungsanschluss

Achten Sie beim Anschluss der Kältemittelleitungen darauf, dass keine anderen Stoffe oder Gase als das angegebene Kältemittel in das Gerät gelangen. Das Vorhandensein anderer Gase oder Substanzen verringert die Leistung des Geräts und kann einen ungewöhnlich hohen Druck im Kühlkreislauf verursachen. Dies kann zu Explosionen und Verletzungen führen.

Hinweis zur Rohrlänge

Stellen Sie sicher, dass die Länge der Kältemittelleitung, die Anzahl der Bögen und die Fallhöhe zwischen Innen- und Außengerät den in der folgenden Tabelle aufgeführten Anforderungen entsprechen:

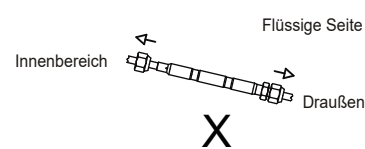
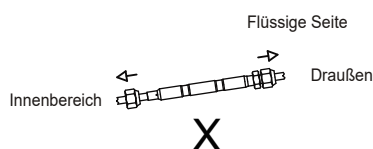
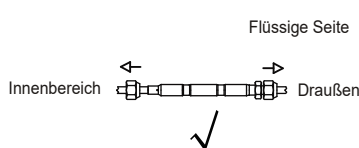
Die maximale Länge und Fallhöhe je nach Modell. (Einheit: m/ft.)

Typ des Modells	Leistung (Btu/h)	Länge der Rohrleitung	Maximale Fallhöhe
EU Frequenzumwandlung Split Typ	<15K	25/82	10/32.8
	≥15K - <24K	30/98.4	20/65.6
	≥24K - <36K	50/164	25/82
	≥36K - ≤60K	75/246	30/98.4

⚠ VORSICHT

Markieren Sie das Typenschild mit der eingebauten Blende (bei einigen Modellen).

- Bitte halten Sie sich beim Kauf der Beschläge genau an die Vorgaben im Handbuch.
- Beachten Sie beim Einbau das Diagramm.



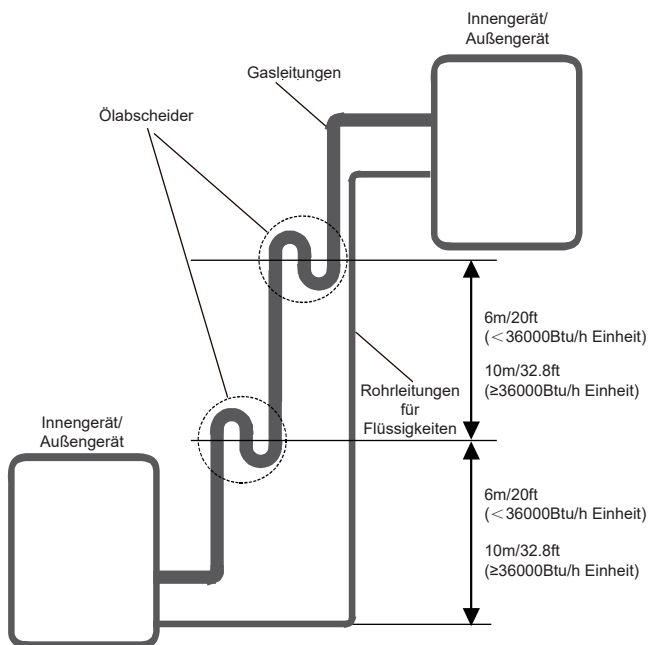
⚠ VORSICHT

Ölabscheider

Wenn Öl in den Kompressor des Außengeräts zurückfließt, kann dies eine Flüssigkeitsverdichtung oder eine Verschlechterung der Ölrückführung verursachen. Ölabscheider in den aufsteigenden Gasleitungen können dies verhindern.

Ein Ölabscheider sollte alle 6m (20ft) der vertikalen Saugleitung installiert werden (< 36000Btu/h Einheit).

Ein Ölabscheider sollte alle 10 m (32,8 ft) der vertikalen Ansaugleitung installiert werden (≥ 36000Btu/h Einheit).



Anschlussanleitung - Kältemittelleitungen

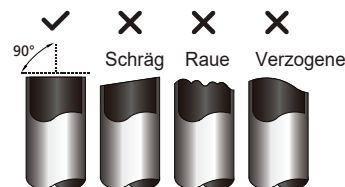
⚠ VORSICHT

- Das Abzweigrohr muss waagrecht verlegt werden. Ein Winkel von mehr als 10° kann zu Fehlfunktionen führen.
- Installieren Sie die Verbindungsleitung **NICHT**, bevor das Innen- und das Außengerät installiert sind.
- Isolieren Sie sowohl die Gas- als auch die Flüssigkeitsleitungen, um Wasserlecks zu vermeiden.

Schritt 1: Rohre schneiden

Achten Sie bei der Vorbereitung der Kältemittelleitungen besonders darauf, dass sie richtig geschnitten und gebördelt werden. Dies gewährleistet einen effizienten Betrieb und minimiert den Bedarf an zukünftigen Wartungsarbeiten.

1. messen Sie den Abstand zwischen dem Innen- und Außengerät.
2. Schneiden Sie das Rohr mit einem Rohrschneider etwas länger ab als die gemessene Strecke.
3. Stellen Sie sicher, dass das Rohr in einem perfekten 90°-Winkel geschnitten wird.



⊘ ROHR BEIM SCHNEIDEN NICHT DEFORMIEREN

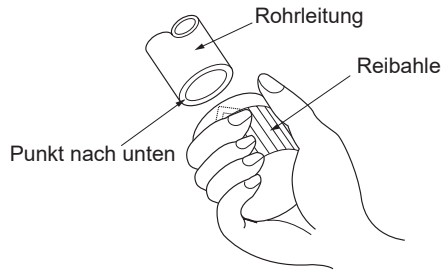
Seien Sie besonders vorsichtig, damit das Rohr beim Schneiden nicht beschädigt, verbeult oder verformt wird. Dadurch wird die Heizleistung des Geräts drastisch reduziert.

Schritt 2: Grate entfernen.

Grate können die luftdichte Abdichtung der Kältemittelleitungsverbindung beeinträchtigen. Sie müssen vollständig entfernt werden.

1. Halten Sie das Rohr schräg nach unten, damit keine Grate in das Rohr fallen.

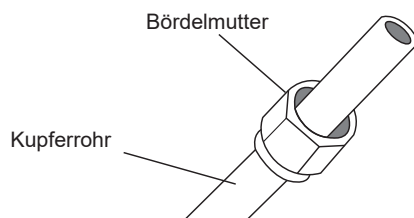
- Entfernen Sie mit einer Reibahle oder einem Entgratungswerkzeug alle Grate aus dem abgeschnittenen Abschnitt des Rohrs.



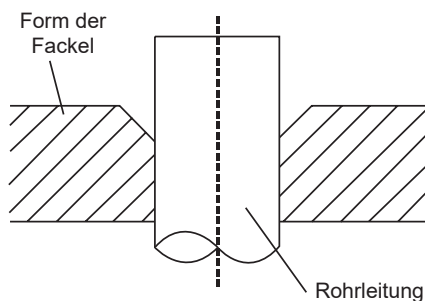
Schritt 3: Rohrenden bördeln

Eine ordnungsgemäße Bördelung ist unerlässlich, um eine luftdichte Abdichtung zu erreichen.

- Nach dem Entfernen der Grate vom abgeschnittenen Rohr die Enden mit PVC-Band abdichten, um das Eindringen von Fremdkörpern in das Rohr zu verhindern.
- Das Rohr mit Isoliermaterial ummanteln.
- Bringen Sie die Bördelmutter an beiden Enden des Rohrs an. Achten Sie darauf, dass sie in die richtige Richtung zeigen, da Sie sie nach dem Bördeln nicht mehr aufsetzen oder ihre Richtung ändern können.



- Entfernen Sie das PVC-Band von den Rohrenden, wenn Sie bereit sind, die Bördelarbeiten durchzuführen.
- Die Bördelform auf das Ende des Rohrs klemmen. Das Ende des Rohrs muss über die Bördelform hinausragen.



- Das Bördelwerkzeug auf die Form setzen.
- Drehen Sie den Griff des Bördelwerkzeugs im Uhrzeigersinn, bis das Rohr vollständig aufgeweitet ist. Das Rohr entsprechend den Abmessungen aufbördeln.

ROHRLEITUNGSERWEITERUNG ÜBER DIE BÖRDELFORM HINAUS

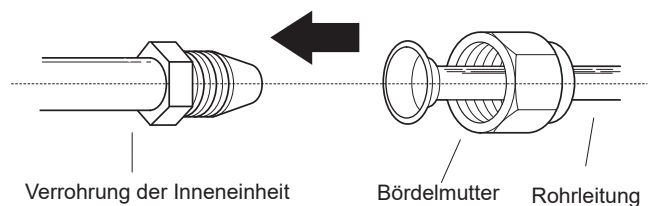
Rohrlehre	Anzugsdrehmoment (180-200 kgf.cm)	Bördelmaß (A) (Einheit: mm/Zoll)		Form der Fackel
		Min.	Max.	
Ø 6.35	18-20 N.m (180-200 kgf.cm)	8.4/0.33	8.7/0.34	
Ø 9.52	32-39 N.m. (320-390 kgf.cm)	13.2/0.52	13.5/0.53	
Ø 12.7	49-59 N.m. (490-590 kgf.cm)	16.2/0.64	16.5/0.65	
Ø 16	57-71 N.m. (570-710 kgf.cm)	19.2/0.76	19.7/0.78	
Ø 19	67-101 N.m. (670-1010 kgf.cm)	23.2/0.91	23.7/0.93	
Ø 22	85-110 N.m. (850-1100 kgf.cm)	26.4/1.04	26.9/1.06	

- Entfernen Sie das Bördelwerkzeug und die Bördelform und prüfen Sie dann das Rohrende auf Risse und gleichmäßige Bördelung.

Schritt 4: Rohre anschließen

Schließen Sie die Kupferrohre zuerst an das Innengerät und dann an das Außengerät an. Sie sollten zuerst die Niederdruckleitung und dann die Hochdruckleitung anschließen.

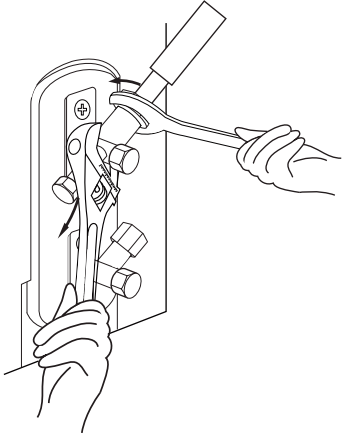
- Beim Anschließen der Bördelmutter die Bördelenden der Rohre mit einer dünnen Schicht Kältemittelöl bestreichen.
- Richten Sie die Mitte der beiden Rohre aus, die Sie verbinden wollen.



- Ziehen Sie die Bördelmutter mit der Hand so fest wie möglich an.
- Mit einem Schraubenschlüssel die Mutter am Rohr der Einheit festhalten.

- Ziehen Sie die Bördelmutter mit einem Drehmomentschlüssel gemäß den in der Tabelle angegebenen Werten an, während Sie die Mutter festhalten.

HINWEIS: Verwenden Sie sowohl einen Schraubenschlüssel als auch einen Drehmomentschlüssel, wenn Sie Rohre mit dem Gerät verbinden oder von ihm trennen.



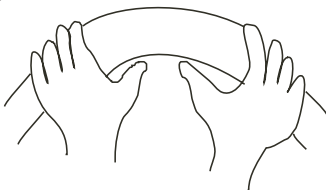
! VORSICHT

- Achten Sie darauf, die Rohrleitungen mit einer Isolierung zu umwickeln. Direkter Kontakt mit den blanken Rohrleitungen kann zu Verbrennungen oder Erfrierungen führen.
- Stellen Sie sicher, dass das Rohr richtig angeschlossen ist. Ein zu festes Anziehen kann die Muffe beschädigen, ein zu geringes Anziehen kann zu Leckagen führen.

HINWEIS ZUM MINDESTBIEGERADIUS

Biegen Sie den Schlauch vorsichtig in der Mitte, wie in der Abbildung unten dargestellt. Biegen Sie die Schläuche NICHT mehr als 90° oder mehr als 3 Mal.

Biegen Sie das Rohr mit dem Daumen



Mindest-Radius 10cm (3.9")

- Nach dem Anschluss der Kupferrohre an das Innengerät wickeln Sie das Stromkabel, das Signalkabel und die Rohre mit Klebeband zusammen.

HINWEIS: Verflechten Sie das Signalkabel NICHT mit anderen Kabeln. Wenn Sie diese Teile zusammenbinden, dürfen Sie das Signalkabel nicht mit anderen Kabeln verflechten oder kreuzen.

- Führen Sie die Rohrleitung durch die Wand und schließen Sie sie an das Außengerät an.
- Alle Rohrleitungen, einschließlich der Ventile des Außengeräts, isolieren.
- Öffnen Sie die Absperrventile des Außengeräts, um den Kältemittelfluss zwischen Innen- und Außengerät in Gang zu setzen.

! VORSICHT

Prüfen Sie nach Abschluss der Installationsarbeiten, ob ein Kältemittelleck vorhanden ist. Sollte ein Kältemittelleck vorhanden sein, lüften Sie den Bereich sofort und evakuieren Sie das System (siehe Abschnitt "Evakuierung der Luft" in diesem Handbuch).

HINWEIS: Nach dem Anschluss der Rohrleitung umwickeln Sie bitte den Anschlussrohrkopf mit dem Isolierrohr aus dem Beipack.

Verkabelung



LESEN SIE VOR DER DURCHFÜHRUNG VON ELEKTRISCHEN ARBEITEN DIESE VORSCHRIFTEN

1. Die gesamte Verkabelung muss den örtlichen und nationalen Elektrovorschriften und -bestimmungen entsprechen und von einem zugelassenen Elektriker installiert werden.
2. Alle elektrischen Anschlüsse müssen gemäß dem elektrischen Anschlussplan auf den Schalttafeln der Innen- und Außengeräte vorgenommen werden.
3. Wenn es ein ernsthaftes Sicherheitsproblem mit der Stromversorgung gibt, stellen Sie die Arbeit sofort ein. Erklären Sie dem Kunden Ihre Gründe und weigern Sie sich, das Gerät zu installieren, bis das Sicherheitsproblem ordnungsgemäß behoben ist.
4. die Netzspannung sollte zwischen 90 und 110 % der Nennspannung liegen. Eine unzureichende Stromversorgung kann zu Fehlfunktionen, Stromschlag oder Feuer führen.
5. Beim Anschluss an eine feste Verdrahtung sollten ein Überspannungsschutz und ein Hauptschalter installiert werden.
6. Beim Anschluss an eine feste Verdrahtung muss ein Schalter oder Leistungsschalter in die feste Verdrahtung eingebaut werden, der alle Pole trennt und einen Kontaktabstand von mindestens 3 mm (1/8 Zoll) aufweist. Der qualifizierte Techniker muss einen zugelassenen Schutzschalter oder Schalter verwenden.
7. Schließen Sie das Gerät nur an eine einzelne Steckdose des Stromkreises an. Schließen Sie kein anderes Gerät an diese Steckdose an.
8. Stellen Sie sicher, dass die Klimaanlage ordnungsgemäß geerdet ist.
9. jedes Kabel muss fest angeschlossen sein. Eine lockere Verdrahtung kann zu einer Überhitzung des Terminals führen, was eine Fehlfunktion des Produkts und einen möglichen Brand zur Folge haben kann.
10. Achten Sie darauf, dass die Drähte nicht die Kältemittelleitungen, den Kompressor oder andere bewegliche Teile im Gerät berühren oder daran anliegen.
11. Wenn das Gerät über eine elektrische Zusatzheizung verfügt, muss diese mindestens 1 Meter von brennbaren Materialien entfernt installiert werden.
12. Um einen elektrischen Schlag zu vermeiden, berühren Sie niemals die elektrischen Komponenten, kurz nachdem die Stromversorgung ausgeschaltet wurde. Warten Sie nach dem Ausschalten der Stromversorgung immer mindestens 10 Minuten, bevor Sie die elektrischen Bauteile berühren.
13. Achten Sie darauf, dass Sie Ihre elektrische Verkabelung nicht mit der Signalverkabelung kreuzen. Dies kann zu Verzerrungen und Störungen führen.
14. Das Gerät muss an die Hauptsteckdose angeschlossen werden. Normalerweise muss das Netzteil eine Impedanz von 32 Ohm haben.
15. Keine anderen Geräte an denselben Stromkreis angeschlossen werden dürfen.
16. Schließen Sie die Außenkabel an, bevor Sie die Innenkabel anschließen.



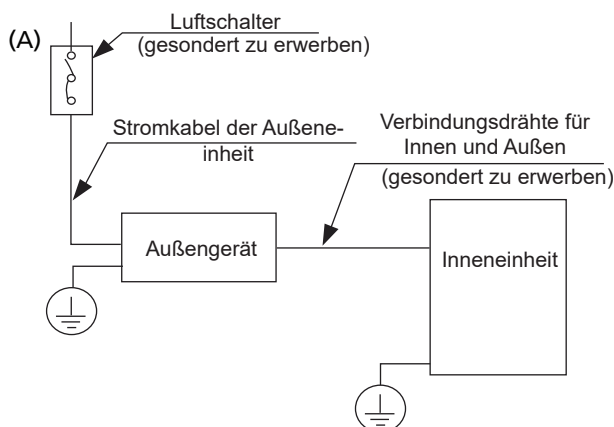
WARNUNG

SCHALTEN SIE VOR DER DURCHFÜHRUNG VON ELEKTRO- ODER VERDRÄHTUNGSARBEITEN DIE HAUPTSTROMVERSORGUNG DES SYSTEMS AUS.

HINWEIS ZUM LUFTSCHALTER

Wenn die maximale Stromstärke des Klimageräts mehr als 16A beträgt, muss ein Luftschalter oder ein Leckageschutzschalter mit Schutzvorrichtung verwendet werden (separat zu erwerben). Wenn die maximale Stromstärke des Klimageräts weniger als 16A beträgt, muss das Netzkabel des Klimageräts mit einem Stecker ausgestattet sein (separat zu erwerben).

In Nordamerika sollte die Anwendung gemäß den NEC- und CEC-Anforderungen verkabelt werden.



HINWEIS: Die Abbildungen dienen nur zur Erläuterung. Ihre Maschine kann etwas anders aussehen. Die tatsächliche Form ist maßgebend.

Verkabelung der Außeneinheit



WARNUNG

Schalten Sie vor der Durchführung von Elektro- oder Verdrahtungsarbeiten die Hauptstromversorgung des Systems aus.

1. Das Kabel für den Anschluss vorbereiten
 - a. Sie müssen zunächst die richtige Kabelgröße auswählen. Achten Sie darauf, H07RN-F-Kabel zu verwenden.

HINWEIS: Wählen Sie in Nordamerika den Kabeltyp gemäß den örtlichen elektrischen Vorschriften und Bestimmungen.

Mindestquerschnittsfläche von Strom- und Signalkabeln (als Referenz)

Nennstrom des Geräts (A)	Nennquerschnittsfläche (mm ²)
> 3 und ≤ 6	0.75
> 6 und ≤ 10	1
> 10 und ≤ 16	1.5
> 16 und ≤ 25	2.5
> 25 und ≤ 32	4
> 32 und ≤ 40	6

WÄHLEN SIE DIE RICHTIGE KABELGRÖSSE

Die Größe des Stromversorgungskabels, des Signalkabels, der Sicherung und des Schalters richtet sich nach der maximalen Stromstärke des Geräts. Die maximale Stromstärke ist auf dem Typenschild an der Seitenwand des Geräts angegeben. Beziehen Sie sich auf dieses Typenschild, um das richtige Kabel, die richtige Sicherung oder den richtigen Schalter auszuwählen.

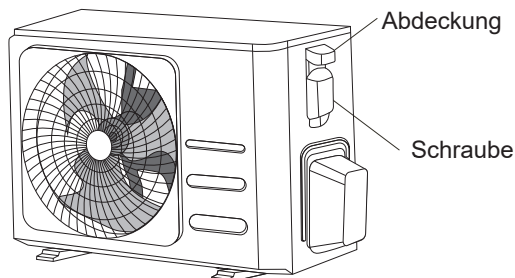
HINWEIS: In Nordamerika wählen Sie bitte die richtige Kabelgröße entsprechend der auf dem Typenschild des Geräts angegebenen Mindeststrombelastbarkeit.

- b. Entfernen Sie mit einer Abisolierzange die Gummiummantelung von beiden Enden des Signalkabels, so dass ca. 15 cm (5,9") des Kabels sichtbar werden.

- c. Isolieren Sie die Enden ab.
- d. Verwenden Sie eine Quetschzange, um die Enden mit U-Profilen zu versehen.

HINWEIS: Halten Sie sich beim Anschließen der Drähte genau an den Schaltplan, der sich im Deckel des Schaltkastens befindet.

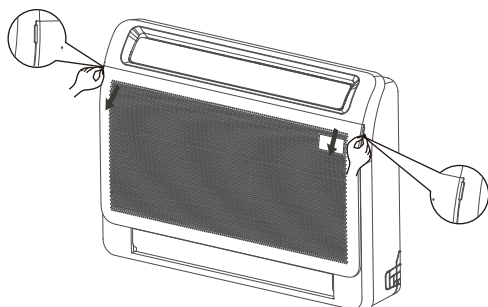
2. Entfernen Sie die elektrische Abdeckung des Außengeräts. Wenn keine Abdeckung am Außengerät vorhanden ist, lösen Sie die Schrauben der Wartungsplatte und entfernen Sie die Schutzplatte.



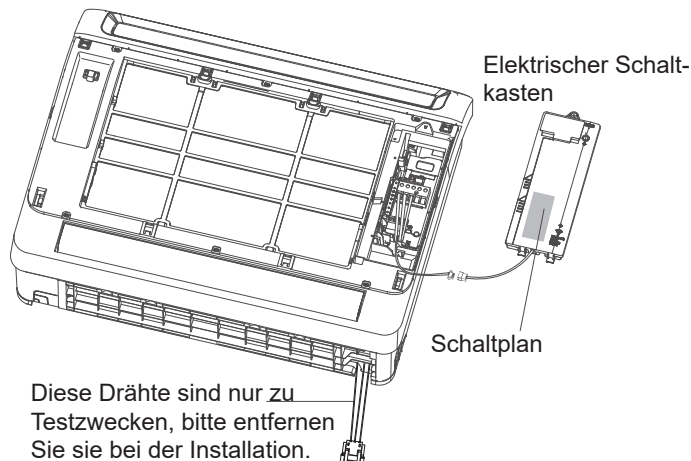
3. Schließen Sie die U-Stecker an die Klemmen an. Stimmen Sie die Farben/Etiketten der Drähte mit den Etiketten auf der Klemmenleiste ab. Schrauben Sie die U-Lasche jedes Kabels fest an die entsprechende Klemme.
4. Klemmen Sie das Kabel mit der Kabelklemme fest.
5. Unbenutzte Drähte mit Isolierband isolieren. Halten Sie sie von elektrischen oder metallischen Teilen fern.
6. Die Abdeckung des Schaltkastens wieder anbringen.

Verdrahtung der Inneneinheit

1. Das Kabel für den Anschluss vorbereiten
 - a. Ziehen Sie mit einer Abisolierzange den Gummimantel von beiden Enden des Signalkabels ab, so dass etwa 15 cm des Kabels sichtbar werden.
 - b. Isolieren Sie die Enden der Drähte ab.
 - c. Verwenden Sie eine Quetschzange, um die U-Laschen an die Enden der Drähte zuquetschen.
2. Ziehen Sie an den linken und rechten Griffen der Frontblende, ziehen Sie die Blende nach außen und öffnen Sie die Blende.

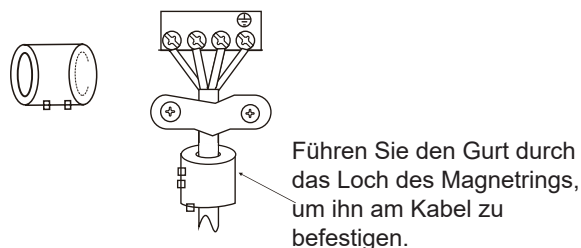


3. Entfernen Sie den elektrischen Schaltkasten. Schließen Sie die U-Kabelschuhe an die Klemmen an. Stimmen Sie die Farben/Etiketten der Drähte mit den Etiketten auf der Klemmenleiste ab und schrauben Sie die U-Kabelschuhe jedes Drahtes fest an die entsprechende Klemme. Beachten Sie die Seriennummer und den Schaltplan, die sich auf dem Deckel des Schaltkastens befinden.



HINWEIS: Achten Sie beim Herausnehmen des elektrischen Schaltkastens darauf, die Klemme zu lösen und zu entfernen.

Magnetring (falls mitgeliefert und mit dem Zubehör verpackt)



⚠ VORSICHT

- Die Abbildungen in diesem Handbuch dienen der Erläuterung. Maßgeblich ist die tatsächliche Form.
- Beim Anschließen der Kabel halten Sie sich bitte genau an den Schaltplan.
- Der Kältemittelkreislauf kann sehr heiß werden. Halten Sie das Verbindungskabel vom Kupferrohr fern.

- 5.
4. Klemmen Sie das Kabel mit der vorgesehenen Kabelklemme fest, um es zu fixieren. Das Kabel sollte nicht lose sein und nicht an den U-Laschen ziehen.

Bringen Sie die Abdeckung des Schaltkastens und die Frontplatte des Innengeräts wieder an.

Leistungsspezifikationen

MODELL(Btu/h)		<16K	16K-18K
POWER	PHASE	1 Phase	1 Phase
	FREQUENZ UND SPANNUNG	220-240V~, 50Hz/60Hz	220-240V~, 50Hz/60Hz
STROMKREISUNTERBRECHER (A)		16	16
INNENGERÄT STROMVERKABELUNG(mm²)		—	—
INNEN/AUSSEN VERBIND- UNGSVERKA- BELUNG(mm²)	VERDRAHTUNG DER AUSSE- NEINHEIT	3x1.5	3x1.5
	STARKES ELEKTRISCHES SIGNAL	4x1.5	4x1.5
	SCHWACHES ELEK- TRISCHES SIGNAL	—	—
	ERDVERKABELUNG	1.5	1.5

Evakuierung aus der Luft

Vorbereitungen und Vorsichtsmaßnahmen

Luft und Fremdkörper im Kältemittelkreislauf können einen abnormalen Druckanstieg verursachen, der die Klimaanlage beschädigen, ihre Leistungsfähigkeit verringern und Verletzungen verursachen kann. Verwenden Sie eine Vakuumpumpe und ein Verteilermanometer, um den Kältemittelkreislauf zu evakuieren und nicht kondensierbare Gase und Feuchtigkeit aus dem System zu entfernen.

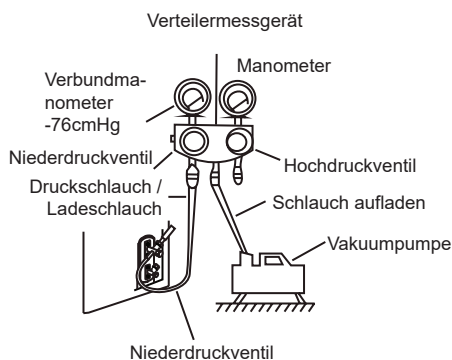
Die Evakuierung sollte bei der Erstinstallation und bei einem Standortwechsel des Geräts durchgeführt werden.

VOR DER DURCHFÜHRUNG DER EVAKUIERUNG

- Überprüfen Sie, ob die Verbindungsleitungen zwischen Innen- und Außengerät richtig angeschlossen sind.
- Überprüfen Sie, ob die Verbindungsleitungen zwischen Innen- und Außengerät richtig angeschlossen sind.

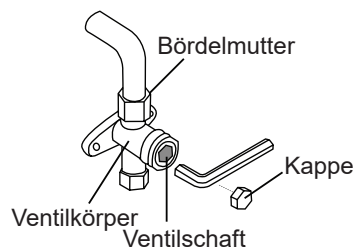
Anweisungen zur Evakuierung

1. Schließen Sie den Füllschlauch des Verteilermessgeräts an den Serviceanschluss des Niederdruckventils des Außengeräts an.
2. Schließen Sie einen weiteren Füllschlauch vom Manometer an die Vakuumpumpe an.
3. Öffnen Sie die Niederdruckseite des Verteilermanometers. Halten Sie die Hochdruckseite geschlossen.
4. Schalten Sie die Vakuumpumpe ein, um das System zu evakuieren.
5. Lassen Sie das Vakuum mindestens 15 Minuten lang laufen, oder bis das Compound Meter -76cmHg (-105Pa) anzeigt.



6. Schließen Sie die Niederdruckseite des Verteilermanometers und schalten Sie die Vakuumpumpe aus.
7. Warten Sie 5 Minuten und überprüfen Sie dann, ob sich der Systemdruck nicht verändert hat.

8. Wenn sich der Systemdruck ändert, lesen Sie den Abschnitt "Gasleckprüfung", um zu erfahren, wie Sie auf Lecks prüfen können. Wenn sich der Systemdruck nicht ändert, schrauben Sie die Kappe vom Füllventil (Hochdruckventil) ab.
9. Führen Sie den Sechskantschlüssel in das gepackte Ventil (Hochdruckventil) ein und öffnen Sie das Ventil durch eine 1/4-Umdrehung des Schlüssels gegen den Uhrzeigersinn. Hören Sie, ob Gas aus dem System austritt, und schließen Sie dann das Ventil nach 5 Sekunden.
10. Beobachten Sie das Manometer eine Minute lang, um sicherzustellen, dass sich der Druck nicht verändert. Das Manometer sollte etwas mehr als den Atmosphärendruck anzeigen.
11. Den Füllschlauch vom Serviceanschluss abnehmen.



12. Öffnen Sie mit einem Sechskantschlüssel sowohl das Hochdruck- als auch das Niederdruckventil vollständig.
13. Ziehen Sie die Ventilkappen an allen drei Ventilen (Serviceanschluss, Hochdruck, Niederdruck) von Hand an. Bei Bedarf können Sie sie mit einem Drehmomentschlüssel weiter anziehen.

! VENTILSCHÄFTE VORSICHTIG ÖFFNEN

Drehen Sie beim Öffnen von Ventilschäften den Sechskantschlüssel, bis er gegen den Anschlag stößt. Versuchen Sie nicht, das Ventil mit Gewalt weiter zu öffnen.

Hinweis zum Hinzufügen von Kältemittel

Bei einigen Systemen ist je nach Rohrlänge eine zusätzliche Aufladung erforderlich. Die Standard-Rohrlänge variiert je nach den örtlichen Vorschriften. In Nordamerika beispielsweise beträgt die Standardrohrlänge 7,5 m (25').

In anderen Gebieten beträgt die Standardrohrlänge 5 m (16'). Das Kältemittel sollte über den Serviceanschluss am Niederdruckventil des Außengeräts eingefüllt werden. Das zusätzlich zu füllende Kältemittel kann mit der folgenden Formel berechnet werden:

Durchmesser der Flüssigkeitsseite

	φ6.35(1/4")	φ9.52(3/8")	φ12.7(1/2")
R22 (Düsenrohr im Innengerät):	(Gesamtrohrlänge - Standardrohrlänge)x 30g (0,32oZ)/m(ft)	(Gesamtrohrlänge - Standardrohrlänge)x 65g(0,69oZ)/m(ft)	(Gesamtrohrlänge - Standardrohrlänge)x 115g(1,23oZ)/m(ft)
R22 (Düsenrohr im Außengerät):	(Gesamtrohrlänge - Standardrohrlänge) x15g(0.16oZ)/m(ft)	(Gesamtrohrlänge - Standardrohrlänge) x30(0.32oZ)/m(ft)	(Gesamtrohrlänge - Standardrohrlänge) x60g(0.64oZ)/m(ft)
R410A: (Düsenrohr im Innengerät):	(Gesamtrohrlänge - Standardrohrlänge) x30g(0.32oZ)/m(ft)	(Gesamtrohrlänge - Standardrohrlänge) x65g(0.69oZ)/m(ft)	(Gesamtrohrlänge - Standardrohrlänge) x115g(1.23oZ)/m(ft)
R410A: (Düsenrohr im Außengerät):	(Gesamtrohrlänge - Standardrohrlänge) x15g(0.16oZ)/m(ft)	(Gesamtrohrlänge - Standardrohrlänge) x30g(0.32oZ)/m(ft)	(Gesamtrohrlänge - Standardrohrlänge) x65g(0.69oZ)/m(ft)
R32 :	(Gesamtrohrlänge - Standardrohrlänge)x 12g(0,13oZ)/m(ft)	(Gesamtrohrlänge - Standardrohrlänge)x 24g(0,26oZ)/m(ft)	(Gesamtrohrlänge - Standardrohrlänge)x 40g(0,42oZ)/m(ft)



VORSICHT

Kältemittelarten **NICHT** mischen.

Nur für Australien-Modelle:

- Dieses Gerät enthält werkseitig eine Kältemittelfüllung für 20 m Kältemittelleitung. Eine zusätzliche Kältemittelfüllung am Installationsort ist bei einer Installation mit bis zu 20 m Kältemittelleitung nicht erforderlich. Wenn die Kältemittelleitungen länger als 20 m sind, füllen Sie zusätzlich eine Menge ein, die sich aus der Rohrlänge und der obigen Tabelle für den über 20 m hinausgehenden Teil errechnet.
- Wenn ein bestehendes Rohrsystem verwendet wird, hängt die erforderliche Kältemittelfüllmenge von der Größe der Flüssigkeitsleitung ab.

Formel zur Berechnung der zusätzlich benötigten Kältemittelmenge:

Zusätzliches Ladevolumen (kg) = { Hauptlänge (m) - Werksladevolumen 20(m) } × 0,03(kg/m)

- Vergewissern Sie sich, dass die zusätzliche Kältemittelmenge entsprechend der auf dem Typenschild angegebenen Nennfüllmenge (unter 5 m Kältemittelleitung) unter marktüblichen oder behördlichen Prüfbedingungen entnommen wird.

Testlauf

Vor dem Testlauf

Ein Testlauf muss durchgeführt werden, nachdem das gesamte System vollständig installiert wurde. Bestätigen Sie die folgenden Punkte, bevor Sie den Test durchführen:

- a) Innen- und Außengeräte sind ordnungsgemäß installiert.
- b) Rohrleitungen und Kabel sind ordnungsgemäß angeschlossen.
- c) Keine Hindernisse in der Nähe des Ein- und Auslasses des Geräts, die eine schlechte Leistung oder eine Fehlfunktion des Geräts verursachen könnten.
- d) Das Kühlsystem ist nicht undicht.
- e) Das Abwassersystem ist ungehindert und fließt an einem sicheren Ort ab.
- f) Die Heizungsisolierung ist ordnungsgemäß angebracht.
- g) Die Erdungsdrähte sind ordnungsgemäß angeschlossen.
- h) Die Länge der Rohrleitungen und der zusätzliche Stauraum für das Kältemittel wurden aufgezeichnet.
- i) Die Netzspannung ist die richtige Spannung für das Klimagerät.



VORSICHT

Die Nichtdurchführung des Testlaufs kann zu Schäden am Gerät, zu Sachschäden oder zu Personenschäden führen.

Anweisungen zum Testlauf

1. Das Flüssigkeits- und das Gasabsperrventil öffnen.
2. Schalten Sie den Netzschalter ein und lassen Sie das Gerät aufwärmen.
3. Stellen Sie die Klimaanlage auf den Modus COOL.
4. Für das Innengerät
 - a. Vergewissern Sie sich, dass die Fernbedienung und ihre Tasten richtig funktionieren.
 - b. Vergewissern Sie sich, dass sich die Lamellen richtig bewegen und mit der Fernbedienung verändert werden können.
 - c. Überprüfen Sie, ob die Raumtemperatur korrekt registriert wird.
 - d. Vergewissern Sie sich, dass die Anzeigen auf der Fernbedienung und auf dem Anzeigefeld des Innengeräts ordnungsgemäß funktionieren.
 - e. Vergewissern Sie sich, dass die manuellen Tasten am Innengerät richtig funktionieren.

- f. Überprüfen Sie, ob das Abflusssystem ungehindert und reibungslos abläuft.
 - g. Stellen Sie sicher, dass während des Betriebs keine Vibrationen oder ungewöhnlichen Geräusche auftreten.
5. Für das Außengerät
- a. Prüfen Sie, ob das Kühlsystem undicht ist.
 - b. Vergewissern Sie sich, dass während des Betriebs keine Vibrationen oder abnormalen Geräusche auftreten.
 - c. Stellen Sie sicher, dass Wind, Lärm und Wasser, die vom Gerät erzeugt werden, Ihre Nachbarn nicht stören oder ein Sicherheitsrisiko darstellen.
6. Entwässerungsprüfung
- a. Stellen Sie sicher, dass das Abflussrohr reibungslos funktioniert. Bei Neubauten sollte dieser Test vor der Fertigstellung der Decke durchgeführt werden.
 - b. Entfernen Sie den Testdeckel. Füllen Sie 2.000 ml Wasser durch den beigegefügt Schlauch in den Behälter.
 - c. Schalten Sie den Hauptschalter ein und lassen Sie die Klimaanlage im COOL-Modus laufen.
 - d. Achten Sie auf das Geräusch der Abfluspumpe, um zu sehen, ob sie ungewöhnliche Geräusche macht.
 - e. Prüfen Sie, ob das Wasser abgelassen wird. Je nach Abflussrohr kann es bis zu einer Minute dauern, bis das Gerät zu entleeren beginnt.
 - f. Vergewissern Sie sich, dass keine Lecks in den Rohrleitungen vorhanden sind.
 - g. Schalten Sie das Klimagerät aus. Schalten Sie den Hauptnetzschalter aus und bringen Sie die Testabdeckung wieder an.

HINWEIS: Wenn das Gerät nicht funktioniert oder nicht Ihren Erwartungen entspricht, lesen Sie bitte den Abschnitt "Fehlersuche" in der Bedienungsanleitung, bevor Sie den Kundendienst anrufen.

Tabla de Contenido

Medidas de Seguridad	04
-----------------------------------	-----------

Manual del Propietario

Especificaciones y Funciones del Dispositivo.....	09
1. Pantalla de la unidad interior.....	09
2. Temperatura de funcionamiento.....	10
3. Otras funciones	11
4. Ajuste de la Dirección del Flujo de Aire.....	12
Cuidado y Mantenimiento.....	13
Solución de Problemas.....	15

Accesorios	18
Resumen de Instalación	19
Partes del Dispositivo	20
Instalación de la Unidad Interior.....	21
1. Selección del lugar de instalación	21
2. Instalación del cuerpo principal	22
3. Desmontar la unidad interior para conectar los tubos	23
4. Conjunto de direcciones de red.....	24
5. Perforación del orificio de la pared para el tubo de conexión	24
6. Conectar la manguera de drenaje	25
Instalación de la Unidad Exterior.....	26
1. Seleccione la ubicación de instalación	25
2. Instalar el conector de drenaje	27
3. Anclaje de la unidad exterior	27
Conexión de Tubo de Refrigerante	29
A. Nota sobre la Longitud del Tubo	29
B. Instrucciones de Conexión - Tubo de Refrigerante	30
1. Corte los tubos	30
2. Eliminar las rebabas	30
3. Extremos de tubo acampanado	31
4. Conectar los tubos	31
Cableado	33
1. Cableado de la Unidad Exterior	34
2. Cableado de la Unidad Interior.....	35
3. Especificaciones de Energía	36
Purga de Aire	37
1. Instrucciones de Purga.....	37
2. Nota sobre la Adición de Refrigerante.....	38
Prueba de Funcionamiento	39

Medidas de Seguridad

Lea las Medidas de Seguridad antes de la Operación e Instalación

Una instalación incorrecta por ignorar las instrucciones puede causar daños o lesiones graves.

La gravedad de los posibles daños o lesiones se clasifica como ADVERTENCIA o PRECAUCIÓN.



ADVERTENCIA

Este símbolo indica la posibilidad de lesiones personales o pérdida de la vida.



PRECAUCIÓN

Este símbolo indica la posibilidad de daños materiales o consecuencias graves.



ADVERTENCIA

Este dispositivo puede ser utilizado por niños mayores de 8 años y personas con capacidades físicas, sensoriales o mentales reducidas o sin experiencia ni conocimiento si han recibido supervisión o instrucciones sobre el uso del dispositivo de forma segura y comprenden los peligros involucrados.

Los niños no deben jugar con el dispositivo. La limpieza y el mantenimiento del usuario no deben ser realizados por niños sin supervisión (requisitos del Estándar EN).

Este dispositivo no está diseñado para que lo usen personas (incluidos niños) con capacidades físicas, sensoriales o mentales reducidas, o sin experiencia ni conocimiento, a menos que una persona responsable de su seguridad les haya supervisado o instruido sobre el uso del dispositivo. Los niños deben ser supervisados para asegurarse de que no jueguen con el dispositivo.



ADVERTENCIAS PARA EL USO DEL PRODUCTO

- Si surge una situación anormal (como un olor a quemado), apague inmediatamente el dispositivo y desconecte la fuente de alimentación. Llame a su distribuidor para obtener instrucciones para evitar descargas eléctricas, incendios o lesiones.
- **No** introduzca los dedos, varillas u otros objetos en la entrada o salida de aire. Esto puede causar lesiones, ya que el ventilador puede estar girando a altas velocidades.
- **No** utilice aerosoles inflamables como laca para el cabello, laca o pintura cerca del dispositivo. Esto puede provocar un incendio o una combustión.
- **No** opere el aire acondicionado en lugares cerca o alrededor de gases combustibles. El gas emitido puede acumularse alrededor del dispositivo y provocar una explosión.
- **No** opere su aire acondicionado en un cuarto húmedo como un baño o cuarto de lavado. Demasiada exposición al agua puede provocar un cortocircuito en los componentes eléctricos.
- **No** exponga su cuerpo directamente al aire frío o caliente durante un período de tiempo prolongado.
- **No** permita que los niños jueguen con el aire acondicionado. Los niños deben ser supervisados alrededor del dispositivo en todo momento.
- Si el aire acondicionado se utiliza junto con quemadores u otros dispositivos de calefacción, ventile bien la habitación para evitar la falta de oxígeno.
- En determinados entornos funcionales, como cocinas, salas de servidores, etc., se recomienda encarecidamente el uso de dispositivos de aire acondicionado especialmente diseñados.

ADVERTENCIAS DE LIMPIEZA Y MANTENIMIENTO

- Apague el dispositivo y desconecte la fuente de alimentación antes de limpiarlo. Si no lo hace, puede causar una descarga eléctrica.
- **No** limpie el aire acondicionado con cantidades excesivas de agua.
- **No** limpie el aire acondicionado con agentes de limpieza combustibles. Los agentes de limpieza combustibles pueden provocar incendios o deformaciones.



PRECAUCIÓN

- Apague el aire acondicionado y desconecte la fuente de alimentación si no va a utilizarlo durante mucho tiempo.
- Apague y desenchufe el dispositivo durante las tormentas.
- Asegúrese de que la condensación de agua pueda drenar sin obstáculos desde el dispositivo.
- **No** opere el aire acondicionado con las manos mojadas. Esto puede causar una descarga eléctrica.
- **No** utilice el dispositivo para ningún otro fin que no sea el uso previsto.
- **No** se suba ni coloque objetos encima de la unidad exterior.
- **No** permita que el aire acondicionado funcione durante largos períodos de tiempo con puertas o ventanas abiertas, o si la humedad es muy alta.



ADVERTENCIAS ELÉCTRICAS

- Utilice únicamente el cable de alimentación especificado. Si el cable de alimentación está dañado, debe ser sustituido por el fabricante, su agente de servicio o personas con cualificación similar para evitar un peligro.
- Mantenga limpio el enchufe. Elimine el polvo o la suciedad que se acumula en el enchufe o alrededor de él. Los enchufes sucios pueden provocar un incendio o una descarga eléctrica.
- **No** tire del cable de alimentación para desenchufar el dispositivo. Sujete el enchufe con firmeza y retírelo del tomacorriente. Tirar directamente del cable puede dañarlo, lo que puede provocar un incendio o una descarga eléctrica.
- **No** modifique la longitud del cable de alimentación ni utilice un cable de extensión para alimentar el dispositivo.
- **No** comparta el tomacorriente con otros aparatos. La fuente de alimentación inadecuada o insuficiente puede causar un incendio o descarga eléctrica.
- El producto debe estar debidamente conectado a tierra en el momento de la instalación, o puede ocurrir una descarga eléctrica.
- Para todo el trabajo eléctrico, siga todas las normas y reglamentos de cableado locales y nacionales y el Manual de Instalación. Conecte los cables firmemente y sujételos firmemente para evitar que fuerzas externas dañen el terminal. Las conexiones eléctricas incorrectas pueden sobrecalentarse y provocar un incendio, y también pueden provocar descargas eléctricas. Todas las conexiones eléctricas deben realizarse de acuerdo con el Diagrama de Conexión Eléctrica ubicado en los paneles de las unidades interiores y exteriores.
- Todo el cableado debe organizarse correctamente para garantizar que la cubierta del tablero de control pueda cerrarse correctamente. Si la cubierta de la placa de control no se cierra correctamente, puede provocar corrosión y provocar que los puntos de conexión en el terminal se calienten, se incendien o provoquen una descarga eléctrica.
- Si se conecta la alimentación a un cable fijo, un dispositivo de desconexión de todos los polos que tenga al menos 3 mm de separación en todos los polos y tenga una corriente de fuga que pueda exceder los 10 mA, y cuyo dispositivo de corriente residual (RCD) tenga una corriente operativa residual nominal que no exceda los 30 mA, debe incorporarse en el cable fijo de acuerdo con las reglas de cableado.

TENGA EN CUENTA LAS ESPECIFICACIONES DEL FUSIBLE

La placa de circuito (PCB) del aire acondicionado está diseñada con un fusible para brindar protección contra sobrecorriente. Las especificaciones del fusible están impresas en la placa de circuito, como: T3.15A/250VAC, T5A/250VAC, T10A/250VAC, T20A/250VAC, T30A/250VAC, etc.

NOTA: Para los dispositivos con refrigerante R32 o R290, solo se puede utilizar el fusible cerámico a prueba de explosiones.

**ADVERTENCIAS PARA LA INSTALACIÓN DEL PRODUCTO**

1. La instalación debe ser realizada por un distribuidor o especialista autorizado. Una instalación defectuosa puede provocar fugas de agua, descargas eléctricas o incendios.
2. La instalación debe realizarse de acuerdo con las instrucciones de instalación. La instalación incorrecta puede provocar fugas de agua, descargas eléctricas o incendios. (En Norteamérica, la instalación debe realizarse de acuerdo con los requisitos de NEC y CEC únicamente por personal autorizado).
3. Comuníquese con un técnico de servicio autorizado para la reparación o el mantenimiento de este dispositivo. Este dispositivo se instalará de acuerdo con las normas nacionales de cableado.
4. Utilice únicamente los accesorios incluidos, las piezas y las piezas especificadas para la instalación. El uso de piezas no estándar puede provocar fugas de agua, descargas eléctricas, incendios y puede provocar que el dispositivo falle.
5. Instale el dispositivo en un lugar firme que pueda soportar el peso del dispositivo. Si la ubicación elegida no puede soportar el peso del dispositivo, o la instalación no se realiza correctamente, el dispositivo puede caer y causar lesiones y daños graves.
6. Instale la tubería de drenaje de acuerdo con las instrucciones de este manual. El drenaje inadecuado puede causar daños por agua a su hogar y propiedad.
7. Para dispositivos que tienen un calentador eléctrico auxiliar, **no** instale el dispositivo a menos de 1 metro (3 pies) de cualquier material combustible.
8. **No** instale el dispositivo en un lugar que pueda estar expuesto a fugas de gas combustible. Si se acumula gas combustible alrededor del dispositivo, puede provocar un incendio.
9. No encienda la fuente de alimentación hasta que se haya completado todo el trabajo.
10. Cuando traslade o reubique el aire acondicionado, consulte a técnicos de servicio experimentados para la desconexión y reinstalación del dispositivo.
11. Para instalar el dispositivo en su soporte, por favor, lea la información para los detalles en las secciones "instalación de la Unidad Interior" e "Instalación de la Unidad Exterior".

Nota sobre los gases fluorados (no aplicable al dispositivo que utiliza el refrigerante R290)

1. Este dispositivo de aire acondicionado contiene gases fluorados de efecto invernadero. Para obtener información específica sobre el tipo de gas y la cantidad, consulte la etiqueta correspondiente en el propio dispositivo o el "Manual del Propietario - Ficha del Producto" en la unidad exterior del embalaje. (Solo productos de la Unión Europea).
2. La instalación, el servicio, el mantenimiento y la reparación de este dispositivo deben ser realizados por un técnico certificado.
3. El desmontaje y el reciclaje del producto deben realizarse por un técnico certificado.
4. Para equipos que contengan gases fluorados de efecto invernadero en cantidades iguales o superiores a 5 toneladas de CO₂ equivalente, pero inferiores a 50 toneladas de CO₂ equivalente, si el sistema está equipado con un sistema de detección de fugas, se debe comprobar si hay fugas al menos cada 24 meses.
5. Cuando se revisa el dispositivo en busca de fugas, se recomienda encarecidamente llevar un registro adecuado de todas las comprobaciones.

**ADVERTENCIA para usar el refrigerante R32/R290**

- Cuando se emplee refrigerante inflamable, el dispositivo se almacenará en un área bien ventilada donde el tamaño de la habitación corresponda al área de la habitación especificada para la operación.

Para modelos de refrigerante R32:

El dispositivo debe instalarse, operarse y almacenarse en una sala con una superficie superior a X m². El dispositivo no se instalará en un espacio sin ventilación, si éste es inferior a X m²

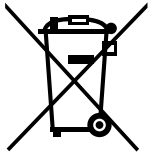
(Por favor vea el siguiente formulario).

Modelo (Btu/h)	Superficie mínima de la habitación (m ²)
≤18000	18

- Los conectores mecánicos reutilizables y las juntas abocinadas no están permitidos en el interior. (Requisitos del Estándar **EN**).
- Los conectores mecánicos utilizados en interiores deberán tener una tasa de no más de 3 g/año al 25% de la presión máxima permitida. Cuando los conectores mecánicos se reutilicen en interiores, se renovarán las piezas de sellado. Cuando las juntas abocinadas se reutilicen en interiores, la parte abocardada deberá volver a fabricarse. (Requisitos del Estándar **UL**)
- Cuando se reutilicen conectores mecánicos en interiores, se renovarán las piezas de sellado. Cuando las juntas abocinadas se reutilicen en interiores, la parte abocardada deberá volver a fabricarse. (Requisitos del Estándar **IEC**)
- Los conectores mecánicos utilizados en interiores deberán cumplir con la norma ISO 14903.

Directrices Europeas de Eliminación

Esta marca que se muestra en el producto o en su documentación indica que los desechos de equipos eléctricos y electrónicos no deben mezclarse con los desechos domésticos generales.



Eliminación Correcta de Este Producto (Residuos de Equipos Eléctricos y Electrónicos)

Este dispositivo contiene refrigerante y otros materiales potencialmente peligrosos. Al deshacerse de este dispositivo, la ley exige una recolección y un tratamiento especial. **No** deseche este producto como residuo doméstico o como residuo municipal sin clasificar.

A la hora de deshacerse de este dispositivo, tiene las siguientes opciones:

- Deseche el dispositivo en el centro municipal designado de recolección de desechos electrónicos.
- Al comprar un dispositivo nuevo, el minorista se llevará el dispositivo antiguo de forma gratuita.
- El fabricante se hará cargo de la devolución del dispositivo antiguo de forma gratuita.
- Vende el dispositivo a comerciantes de chatarra certificados.

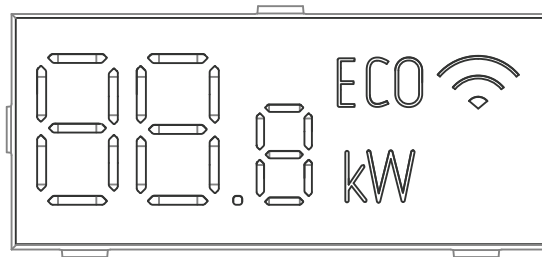
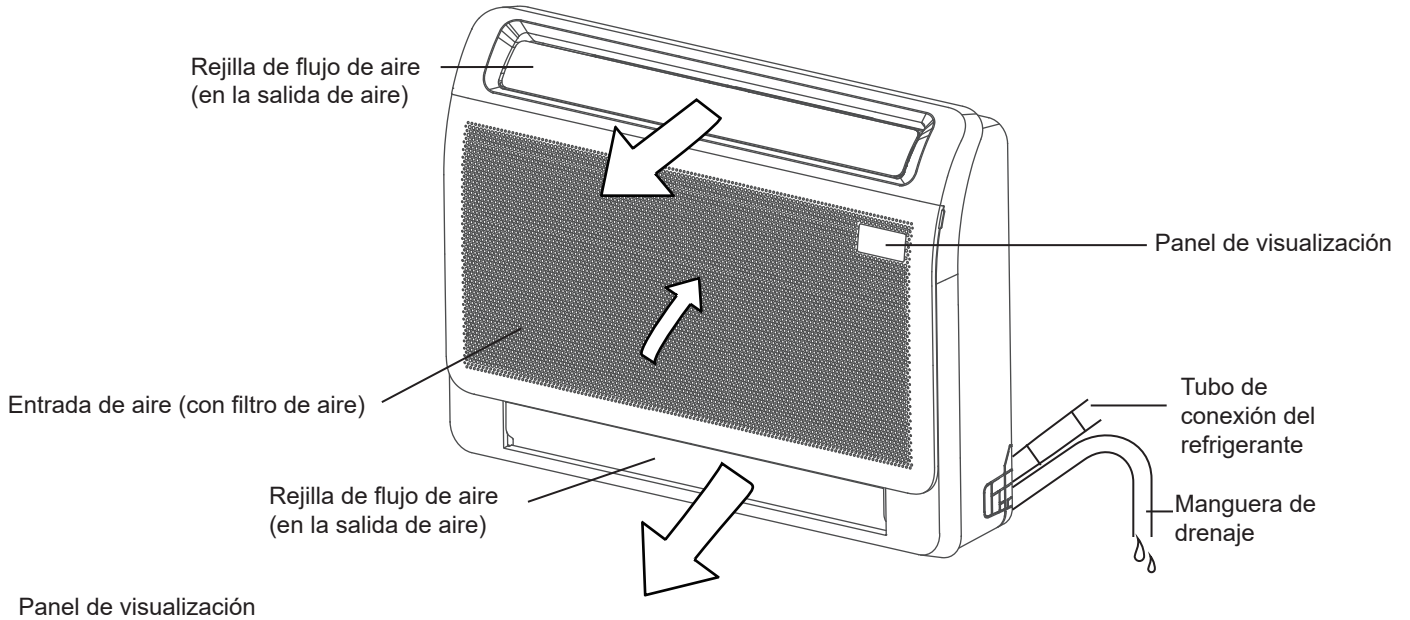
Aviso especial

Desechar este dispositivo en el bosque u otro entorno natural pone en peligro su salud y es perjudicial para el medio ambiente. Las sustancias peligrosas pueden filtrarse en el agua subterránea y entrar en la cadena alimentaria.

Especificaciones y Funciones del Dispositivo

Pantalla de la unidad interior

NOTA: Este panel de visualización en la unidad interior se puede usar para operar el dispositivo en caso de que el control remoto se haya colocado en un lugar incorrecto o no tenga baterías.



- **88.8** Muestra la temperatura y los códigos de Error:
- **ECO** ECO Cuando la función ECO (algunos dispositivos) está activada.
- **DF** " al descongelar (para los dispositivos de refrigeración y calefacción del modelo B)
- **ON** " durante 3 segundos cuando:
 - TIMER ON está configurado
 - SWING o SILENCE está activado
- **OF** " durante 3 segundos cuando:
 - TIMER OFF está configurado
 - SWING o SILENCE está apagado
- **CL** " cuando el dispositivo está en el modo de autolimpieza
- **FP** " cuando la función de calentamiento de 8 °C está activada
- **Wi-Fi** Cuando la función de Control Inalámbrico está activada (algunos dispositivos)

Temperatura de funcionamiento

Cuando su aire acondicionado se usa fuera de los siguientes rangos de temperatura, ciertas funciones de protección de seguridad pueden activarse y hacer que el dispositivo se desactive.

Tipo Split de Frecuencia Variable

	Modo COOL	Modo HEAT	Modo DRY
Temperatura Ambiente	16°C - 32°C (60°F - 90°F)	0°C - 30°C (32°F - 86°F)	10°C - 32°C (50°F - 90°F)
Exterior Temperatura	0°C - 50°C (32°F - 122°F)	-15°C - 24°C (5°F - 75°F)	0°C - 50°C (32°F - 122°F)
	-15°C - 50°C (5°F - 122°F) (Para modelos con sistemas de enfriamiento de baja temperatura.)		

Tipo de velocidad fija

	Modo COOL	Modo HEAT	Modo DRY
Habitación Temperatura	16°C-32°C (60°F-90°F)	0°C-30°C (32°F-86°F)	10°C-32°C (50°F-90°F)
Exterior Temperatura	18°C-43°C (64°F-109°F)	-7°C-24°C (19°F-75°F)	11°C-43°C (52°F-109°F)
	-7°C-43°C (19°F-109°F) (Para modelos con sistemas de enfriamiento de baja temperatura)		18°C-43°C (64°F-109°F)
	18°C-52°C (64°F-126°F) (Para los modelos tropicales especiales)		18°C-52°C (64°F-126°F) (Para modelos tropicales especiales)

NOTA: Humedad relativa de la habitación inferior al 80%. Si el aire acondicionado funciona por encima de esta cifra, la superficie del aire acondicionado puede atraer condensación. Establezca la rejilla de flujo de aire vertical en su ángulo máximo (verticalmente al piso) y configure el modo ventilador HIGH.

Para optimizar aún más el rendimiento de su dispositivo, haga lo siguiente:

- Mantenga puertas y ventanas cerradas.
- Limite el uso de energía usando las funciones TIMER ON y TIMER OFF.
- No bloquee las entradas o salidas de aire.
- Inspeccione y limpie regularmente los filtros de aire.

Configuración por defecto

Cuando el aire acondicionado se reinicia después de un corte de energía, volverá a la configuración predeterminada de fábrica (modo AUTO, ventilador AUTO, 24°C (76°F)). Esto puede causar inconsistencias en el control remoto y el panel del dispositivo. Use su control remoto para actualizar el estado.

Reinicio Automático

En caso de corte de energía, el sistema se detendrá inmediatamente. Cuando se recupera la fuente de alimentación, la luz de funcionamiento de la unidad interior parpadeará. Para reiniciar el dispositivo, presione el botón **ON/OFF** del control remoto. Si el sistema tiene una función de reinicio automático, el dispositivo se reiniciará con la misma configuración.

Función de Memoria de Ángulo de Rejilla

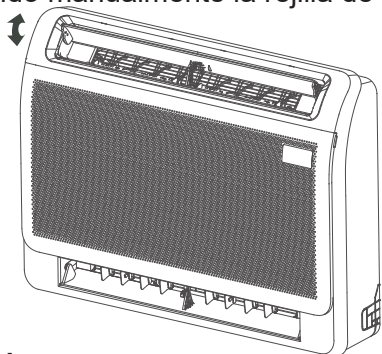
Algunos modelos están diseñados con función de memoria de ángulo de rejilla. Cuando el dispositivo se reinicia después de un corte de energía, el ángulo de las rejillas horizontales volverá automáticamente a la posición anterior. El ángulo de la rejilla horizontal no debe ajustarse demasiado pequeño ya que se puede formar condensación y gotear dentro de la máquina. Para restablecer la rejilla, presione el botón manual, que restablecerá la configuración de la rejilla horizontal.

Sistema de Detección de Fugas de Refrigerante

La unidad interior mostrará automáticamente "EC" o "EL0C" o LEDS parpadeantes (según el modelo) cuando detecte una fuga de refrigerante.

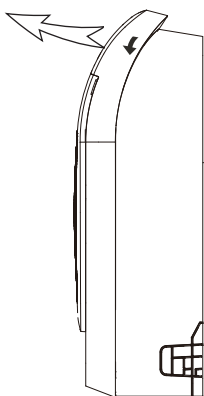
Ajuste de la Dirección del Flujo de Aire

- **Balanceo Manual:** Presione Air Direction (Dirección de Aire) para fijar la rejilla en el ángulo deseado. La rejilla se balancea (hacia arriba o hacia abajo) en un ángulo diferente con cada presión del botón. La dirección del aire se puede cambiar ajustando manualmente la rejilla de aire.



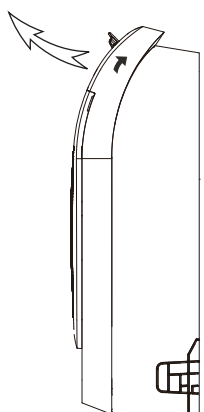
- **Al enfriar**

Ajuste la rejilla hacia abajo (horizontalmente).




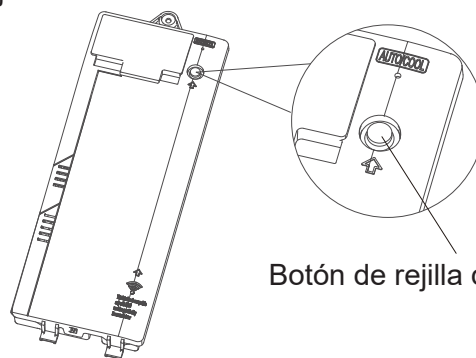
- **Al calentar**

Ajuste la rejilla verticalmente.



- **Ajuste del interruptor de la rejilla de aire inferior**

Bajo la condición de alcanzar la temperatura ambiente, la rejilla de aire inferior se puede abrir cuando se enciende el dispositivo. Para seleccionar si la rejilla de aire inferior está encendida o apagada, use el botón en la caja de control eléctrico. Dentro de los 10 minutos posteriores al encendido,  presiónelo durante 5 segundos para ingresar al modo en estado de espera. Presiónelo para abrir o cerrar la rejilla de aire inferior.



Botón de rejilla de aire

Caja de control eléctrico

NOTA: Durante el proceso de configuración, el panel de visualización muestra el estado del interruptor de la rejilla de aire inferior.
encendido - abierto
apagado - cerrado



PRECAUCIÓN

No intente ajustar la rejilla horizontal a mano. Esto puede dañar el mecanismo y provocar la formación de condensación en las salidas de aire.

Cuidado y mantenimiento

Limpeza de Su Unidad Interior

⚠ ANTES DE LA LIMPIEZA O MANTENIMIENTO

SIEMPRE APAGUE SU SISTEMA DE AIRE ACONDICIONADO Y DESCONECTE SU FUENTE DE ALIMENTACIÓN ANTES DE LA LIMPIEZA O MANTENIMIENTO.

⚠ PRECAUCIÓN

Utilice únicamente un paño suave y seco para limpiar el dispositivo.

Si el dispositivo está especialmente sucio, puede utilizar un paño empapado en agua caliente para limpiarla.

- **No utilice** productos químicos ni paños tratados químicamente para limpiar el dispositivo.
- **No use** benceno, diluyente de pintura, polvo para pulir u otros solventes para limpiar el dispositivo. Pueden hacer que la superficie de plástico se agriete o se deforme.
- **No use** agua a más de 40°C (104°F) para limpiar el panel delantero. Esto puede hacer que el panel se deforme o se decolore.

Limpeza de su filtro de aire

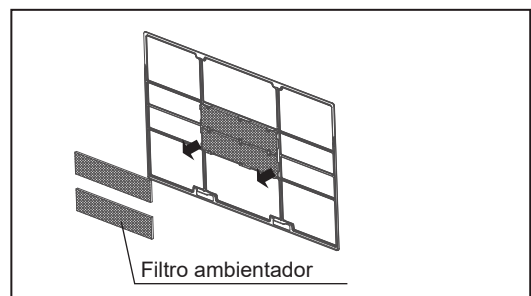
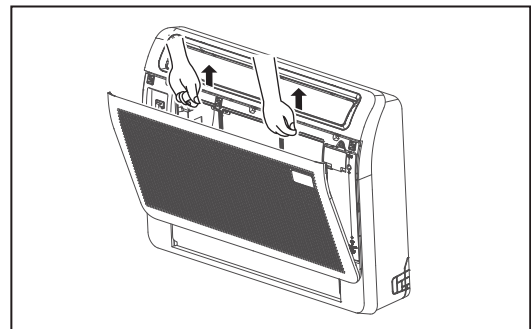
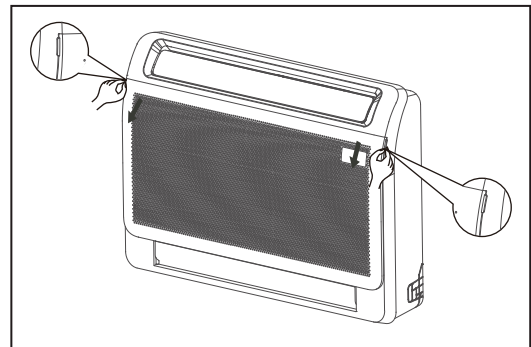
Un aire acondicionado obstruido puede reducir la eficiencia de enfriamiento de su dispositivo y también puede ser malo para su salud. Asegúrese de limpiar el filtro una vez cada dos semanas.

⚠ ADVERTENCIA: NO quite NI LIMPIE EL FILTRO USTED MISMO

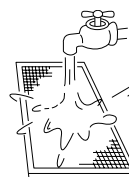
Quitar y limpiar el filtro puede ser peligroso. La remoción y el mantenimiento deben ser realizados por un técnico certificado.

1. Tire de las manijas izquierda y derecha del panel delantero, tire del panel hacia afuera y ábralo.
2. Retire el filtro de aire.
Presione las garras de los lados derecho e izquierdo del filtro de aire ligeramente hacia abajo y luego tire hacia arriba.
3. Sostenga las pestañas del marco y retire las 4 garras. (El filtro de función especial se puede lavar con agua una vez cada 6 meses. Se recomienda reemplazarlo una vez cada 3 años).

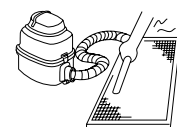
4. Limpie el filtro de aire aspirando la superficie o lavándolo en agua tibia con un detergente suave.
5. Enjuague el filtro con agua limpia y déjelo secar al aire. **NO deje** que el filtro se seque bajo la luz directa del sol.
6. Vuelva a instalar el filtro.



Si usa agua, el lado de la entrada debe mirar hacia abajo y lejos del chorro de agua.



Si se utiliza una aspiradora, el lado de entrada debe estar orientado hacia la aspiradora.



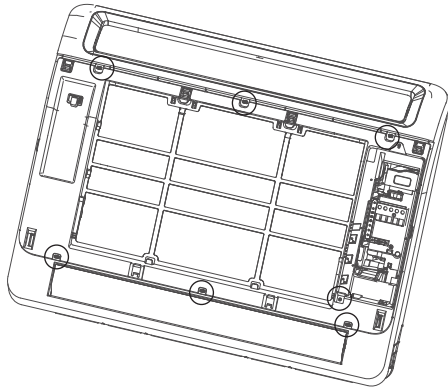


PRECAUCIÓN

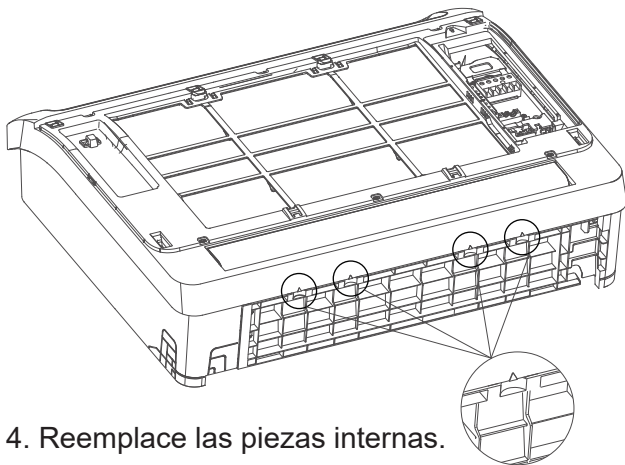
- Antes de cambiar el filtro o limpiarlo, apague el dispositivo y desconecte su alimentación.
- Al retirar el filtro, no toque las partes metálicas del dispositivo. Los bordes metálicos afilados pueden cortarte.
- No utilice agua para limpiar el interior de la unidad interior. Esto puede destruir el aislamiento y causar una descarga eléctrica.
- No exponga el filtro a la luz solar directa durante el secado. Esto puede encoger el filtro.
- Cualquier mantenimiento y limpieza de la unidad exterior debe ser realizado por un distribuidor autorizado o un proveedor de servicios autorizado.
- Cualquier reparación del dispositivo debe ser realizada por un distribuidor autorizado o un proveedor de servicios autorizado.

Reemplace las partes internas

1. Tire de las manijas izquierda y derecha del panel delantero, tire del panel hacia afuera y ábralo.
2. Retire los 7 tornillos del marco frontal.



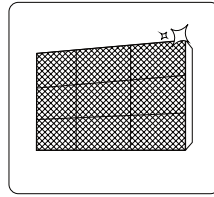
3. Abroche el broche indicado por la flecha y retire el marco frontal.



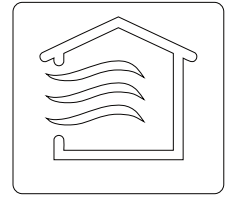
4. Reemplace las piezas internas.
5. Instale el marco frontal y las partes del panel.

Mantenimiento -Períodos prolongados sin uso

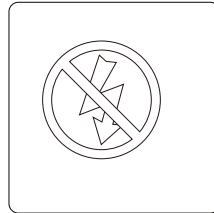
Si planea no usar su aire acondicionado por un período prolongado de tiempo, haga lo siguiente:



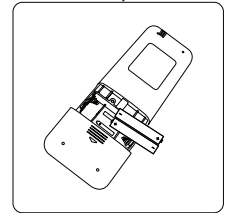
Limpiar todos los filtros



Encienda la función FAN hasta que el dispositivo se seque por completo



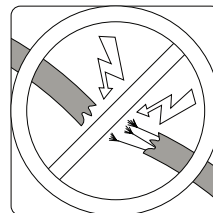
Apague el dispositivo y desconecte la fuente de alimentación



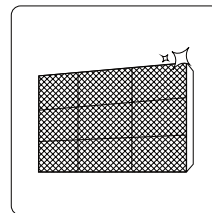
Retire las baterías del control remoto

Mantenimiento - Inspección de Pretemporada

Después de largos períodos de inactividad o antes de períodos de uso frecuente, haga lo siguiente:



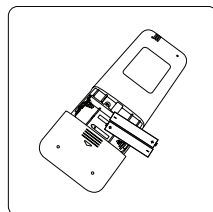
Compruebe si los cables están dañados



Limpiar todos los filtros



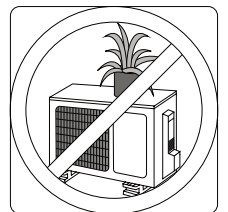
Compruebe si hay fugas



Reemplace las pilas



Asegúrese de que nada bloquee las entradas y salidas de aire



NOTA: No estire ni cuelgue objetos en la salida de aire.
No ajuste el deflector de aire automático con la mano ni extienda la mano dentro del conducto de aire.
No cubra la entrada y salida de aire del dispositivo con objetos.

Solución de problemas



MEDIDAS DE SEGURIDAD

Si ocurre alguna de las siguientes condiciones, ¡apague su dispositivo inmediatamente!

- El cable de alimentación está dañado o anormalmente caliente
- Sientes un olor a quemado
- El dispositivo emite sonidos fuertes o anormales
- Se funde un fusible de alimentación o el disyuntor se dispara con frecuencia
- Caída de agua u otros objetos dentro o fuera del dispositivo

¡NO INTENTE RESOLVER LOS PROBLEMAS USTED MISMO! ¡PÓNGASE EN CONTACTO CON UN PROVEEDOR DE SERVICIO AUTORIZADO INMEDIATAMENTE!

Problemas comunes

Los siguientes problemas no son un mal funcionamiento y en la mayoría de las situaciones no requerirán reparaciones.

Problema	Causas Posibles
El dispositivo no se enciende al pulsar el botón ON/OFF	El dispositivo tiene una función de protección de 3 minutos que evita que el dispositivo se sobrecargue. El dispositivo no se puede reiniciar dentro de los tres minutos posteriores a su apagado.
	Modelos de Refrigeración y Calefacción: Si la luz de Operación y los indicadores PRE-DEF (Precalentamiento/Descongelación) están encendidos, o la luz de Operación está encendida y la pantalla LCD muestra "dF", la temperatura exterior es demasiado fría y el viento antifrío del dispositivo está activado para descongelar el dispositivo.
El dispositivo cambia del modo COOL al modo FAN	El dispositivo puede cambiar su configuración para evitar que se forme escarcha en el dispositivo. Una vez que la temperatura aumente, el dispositivo comenzará a funcionar de nuevo en el modo previamente seleccionado.
	Se ha alcanzado la temperatura establecida, en este caso el dispositivo apaga el compresor. El dispositivo seguirá funcionando cuando la temperatura vuelva a fluctuar.
La unidad interior emite niebla blanca	En las regiones húmedas, una gran diferencia de temperatura entre el aire de la habitación y el aire acondicionado puede provocar niebla blanca.
Tanto la unidad interior como la exterior emiten niebla blanca	Cuando el dispositivo se reinicia en el modo HEAT después de la descongelación, es posible que se emita niebla blanca debido a la humedad generada por el proceso de descongelación.
La unidad interior hace ruidos	Se escucha un chirrido cuando el sistema está OFF o en modo COOL. El ruido también se escucha cuando la bomba de desagüe (opcional) está en funcionamiento.
	Es posible que se produzca un chirrido después del dispositivo funcione en el modo HEAT debido a la expansión y contracción de las piezas de plástico del dispositivo.
Tanto la unidad interior como la unidad exterior hacen ruidos	Sonido de silbido bajo durante el funcionamiento: Esto es normal y es causado por el gas refrigerante que fluye a través de las unidades interiores y exteriores.
	Sonido de silbido bajo cuando el sistema arranca, acaba de dejar de funcionar o se está descongelando: Este ruido es normal y se debe a que el gas refrigerante se detiene o cambia de dirección.
	Chirridos: La expansión y contracción normal de las piezas de plástico y metal causada por los cambios de temperatura durante el funcionamiento puede causar chirridos.

Problema	Causas Posibles
La unidad exterior hace ruidos	El dispositivo emitirá diferentes sonidos en función de su modo de funcionamiento actual.
El polvo se emite desde la unidad interior o exterior	El dispositivo puede acumular polvo durante períodos prolongados de inactividad, que se emitirá cuando se encienda el dispositivo. Esto se puede mitigar cubriendo el dispositivo durante largos periodos de inactividad.
El dispositivo emite mal olor	El dispositivo puede absorber los olores del entorno (como los de los muebles, la cocina, los cigarrillos, etc.) que se emitirán durante el funcionamiento.
	Los filtros del dispositivo se han enmohecido y deben limpiarse.
El ventilador de la unidad exterior no funciona	Durante el funcionamiento, la velocidad del ventilador se controla para optimizar el funcionamiento del producto.

NOTA: Si el problema persiste, comuníquese con un distribuidor local o con el centro de atención al cliente más cercano. Bríndeles una descripción detallada del mal funcionamiento del dispositivo, así como su número de modelo.

Solución de problemas

Cuando se produzcan problemas, compruebe los siguientes puntos antes de ponerse en contacto con una empresa de reparaciones.


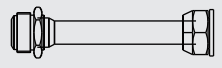
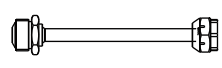




Problema	Causas Posibles	Solución
Mal Rendimiento de la Refrigeración	El ajuste de temperatura puede ser superior a la temperatura ambiente de la habitación	Reduzca la temperatura establecida
	El intercambiador de calor de la unidad interior o exterior está sucio	Limpie el intercambiador de calor afectado
	El filtro de aire está sucio	Retire el filtro y límpielo según las instrucciones
	La entrada o salida de aire de cualquier de los dispositivos está bloqueada	Apague el dispositivo, elimine la obstrucción y vuelva a encenderla
	Las puertas y ventanas están abiertas	Asegúrese de que todas las puertas y ventanas están cerradas mientras funciona el dispositivo
	La luz solar genera un calor excesivo	Cierre las ventanas y las cortinas durante los períodos de mucho calor o sol brillante
	Demasiadas fuentes de calor en la habitación (personas, computadoras, aparatos electrónicos, etc.)	Reduzca la cantidad de fuentes de calor
	Bajo nivel del refrigerante debido a fugas o uso a largo plazo	Compruebe si hay fugas, vuelva a sellar si es necesario y rellene el refrigerante


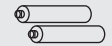
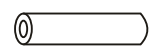
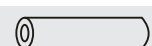
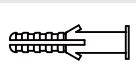




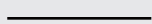

Problema	Causas Posibles	Solución
El dispositivo no funciona	Fallo de alimentación	Espere a que se restablezca la fuente de alimentación
	La fuente de alimentación se apaga	Encienda la fuente de alimentación
	El fusible está quemado	Reemplace el fusible
	Las baterías del control remoto están agotadas	Reemplace las baterías
	La protección de 3 minutos del Dispositivo se ha activado	Espere tres minutos después de reiniciar el dispositivo
	El temporizador está activado	Apague el temporizador
El dispositivo arranca y se detiene con frecuencia	Hay demasiado o muy poco refrigerante en el sistema	Compruebe si hay fugas y recargue el sistema con refrigerante.
	Ha entrado el gas incompresible o la humedad en el sistema.	Drenar y recargar el sistema con refrigerante
	El circuito del sistema está bloqueado	Determine qué circuito está bloqueado y sustituya la pieza defectuosa del equipo
	El compresor está roto	Reemplace el compresor
	El voltaje es demasiado alto o demasiado bajo	Instale un manóstato para regular el voltaje
Mal funcionamiento de la calefacción	La temperatura exterior es extremadamente baja	Utilice un dispositivo de calefacción auxiliar
	El aire frío entra por puertas y ventanas	Asegúrese de que todas las puertas y ventanas estén cerradas durante el uso
	Bajo nivel del refrigerante debido a fugas o uso a largo plazo	Compruebe si hay fugas, vuelva a sellar si es necesario y rellene el refrigerante
Las luces indicadoras siguen parpadeando	El dispositivo puede dejar de funcionar o seguir funcionando de forma segura. Si las luces indicadoras siguen parpadeando o aparecen códigos de error, espere unos 10 minutos. El problema puede resolverse por sí solo.	
Aparece un código de error y comienza con las siguientes letras en la pantalla de la ventana de la unidad interior: • E(x), P(x), F(x) • EH(xx), EL(xx), EC(xx) • PH(xx), PL(xx), PC(xx)	De no ser así, desconecte la fuente de alimentación, luego vuelva a conectarla. Encienda el dispositivo. Si el problema persiste, desconecta la fuente de alimentación y contacta con tu centro de atención al cliente más cercano.	

NOTA: Si su problema persiste después de realizar las comprobaciones y diagnósticos anteriores, apague su dispositivo inmediatamente y comuníquese con un centro de servicio autorizado.

Accesorios

El sistema de aire acondicionado viene con los siguientes accesorios. Utilice todas las piezas y accesorios de instalación para instalar el aire acondicionado. La instalación incorrecta puede provocar fugas de agua, descargas eléctricas e incendios, o hacer que el equipo falle. Los artículos no incluidos con el aire acondicionado deben comprarse por separado.

Nombre de los Accesorios	Cantidad (pc)	Forma
Manual	2~4	
Conector de transferencia (ΦΦ12,7-ΦΦ15,9) (algunos modelos)	1	
Conector de transferencia (ΦΦ6,35-ΦΦ9,52) (algunos modelos)	1	
Conector de transferencia (ΦΦ9,52-ΦΦ12,7) (algunos modelos)	1	
Anillo magnético (envuelva los cables eléctricos S1 y S2 (P, Q y E) alrededor del anillo magnético dos veces) (algunos modelos)	1	
Anillo magnético (Engánchelo en el cable de conexión entre la unidad interior y la unidad exterior después de la instalación.) (algunos modelos)	1	
Control remoto con cable (algunos modelos)	1	

Nombre de los Accesorios	Cantidad (pc)	Forma
Control remoto (algunos modelos)	1	
Batería (algunos modelos)	2	
Funda insonorizante/aislante (algunos modelos)	2	
Tubo de aislamiento térmico	1	
Anclaje	6 (dependiendo de los modelos)	
Tornillo de fijación de la placa de montaje	6 (dependiendo de los modelos)	
Conector de drenaje (algunos modelos)	1	
Anillo de sello (algunos modelos)	1	
Tuerca de cobre	2	
Cable conectado corto rojo (algunos modelos)	1	
Filtro ambientador (algunos modelos)	2	

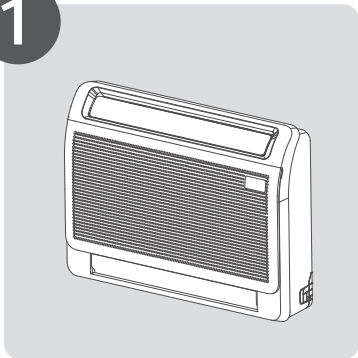
Accesorios opcionales

- Hay dos tipos de controles remotos: con cable y sin cable. Seleccione un control remoto en función de las preferencias y necesidades del cliente e instalarlo en un lugar adecuado. Consulte los catálogos y el documento técnico para obtener orientación sobre la selección de un control remoto adecuado.

Nombre	Forma	Cantidad (PC)	
Conjunto de tubos de conexión	Lado líquido	Φ6,35 (1/4 pulg.)	Piezas que debe comprar por separado. Consulte al distribuidor sobre el tamaño adecuado del tubo del dispositivo que compró.
		Φ9,52 (3/8 pulg.)	
		Φ12,7 (1/2 pulg.)	
	Lado de gas	Φ9,52 (3/8 pulg.)	
		Φ12,7 (1/2 pulg.)	
		Φ 16 (5/8 pulg.)	
		Φ 19 (3/4 pulg.)	
	Φ 22 (7/8 pulg.)		

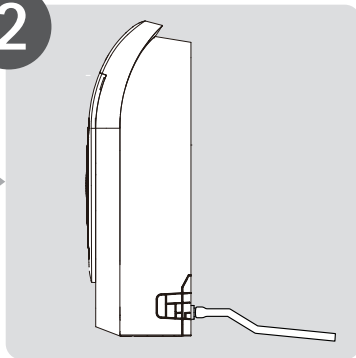
Resumen de Instalación

1



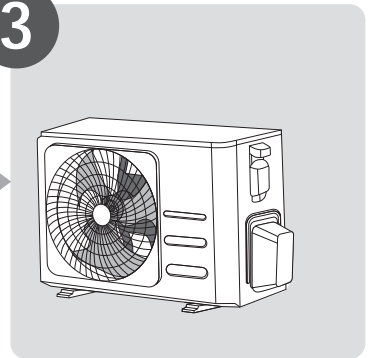
Instale la unidad interior

2



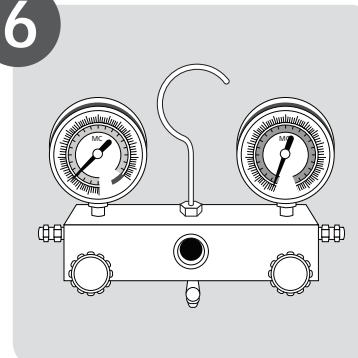
Instale el tubo de drenaje

3



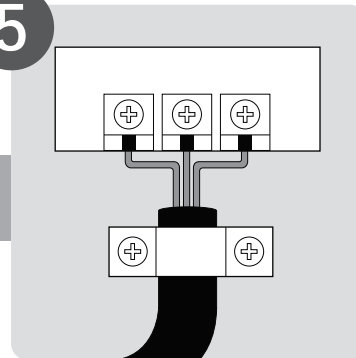
Instale la unidad exterior

6



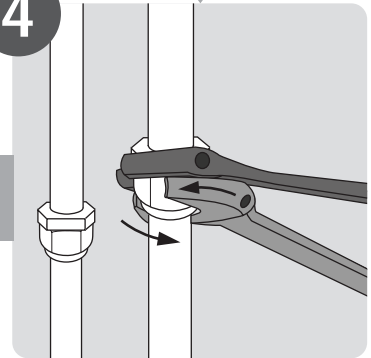
Evacúe el sistema de refrigeración

5



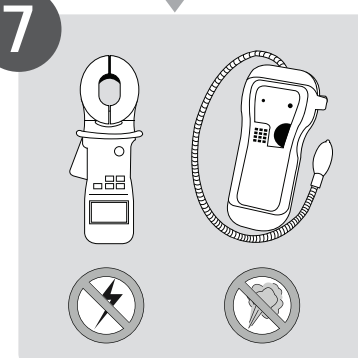
Conecte los cables

4



Conecte los tubos de refrigerante

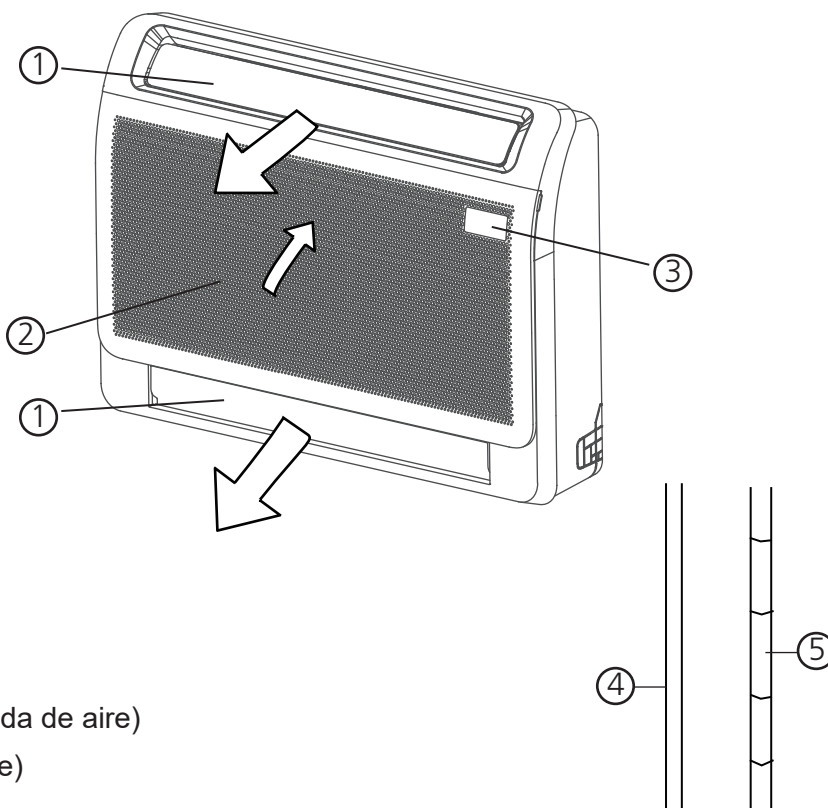
7



Realice una prueba de funcionamiento

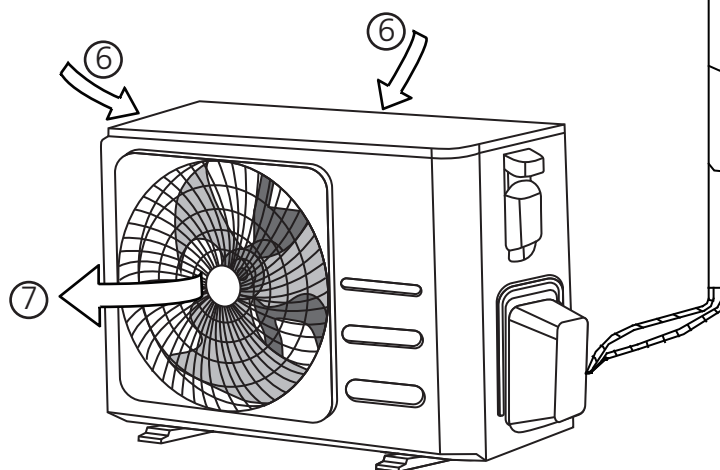
Partes del Dispositivo

NOTA: La instalación debe realizarse de acuerdo con los requisitos de las normas locales y nacionales. La instalación puede ser ligeramente diferente en diferentes áreas.



- ① Rejilla de flujo de aire (en la salida de aire)
- ② Entrada de aire (con filtro de aire)
- ③ Panel de visualización
- ④ Tubo de drenaje

- ⑤ Tubo de conexión
- ⑥ Entrada de aire
- ⑦ Salida de aire



NOTA SOBRE LAS ILUSTRACIONES

- La tubería se puede conectar desde los lados izquierdo, derecho, trasero e inferior del dispositivo. Por favor, seleccione el método de conexión de tubería de acuerdo con la demanda real.
- Las ilustraciones de este manual tienen fines explicativos. La forma real de su unidad interior puede ser ligeramente diferente. Prevalecerá la forma real.

Instalación de la Unidad Interior

Instrucciones de Instalación - Unidad Interior

NOTA: La instalación del panel debe realizarse después de que se hayan completado la conexión de tuberías y el cableado.

Paso 1: Seleccionar la ubicación de instalación

Antes de instalar la unidad interior, debe elegir una ubicación adecuada. Los siguientes son estándares que le ayudarán a usted a elegir una ubicación adecuada para el dispositivo.

Las ubicaciones de instalación adecuadas cumplen con los siguientes estándares:

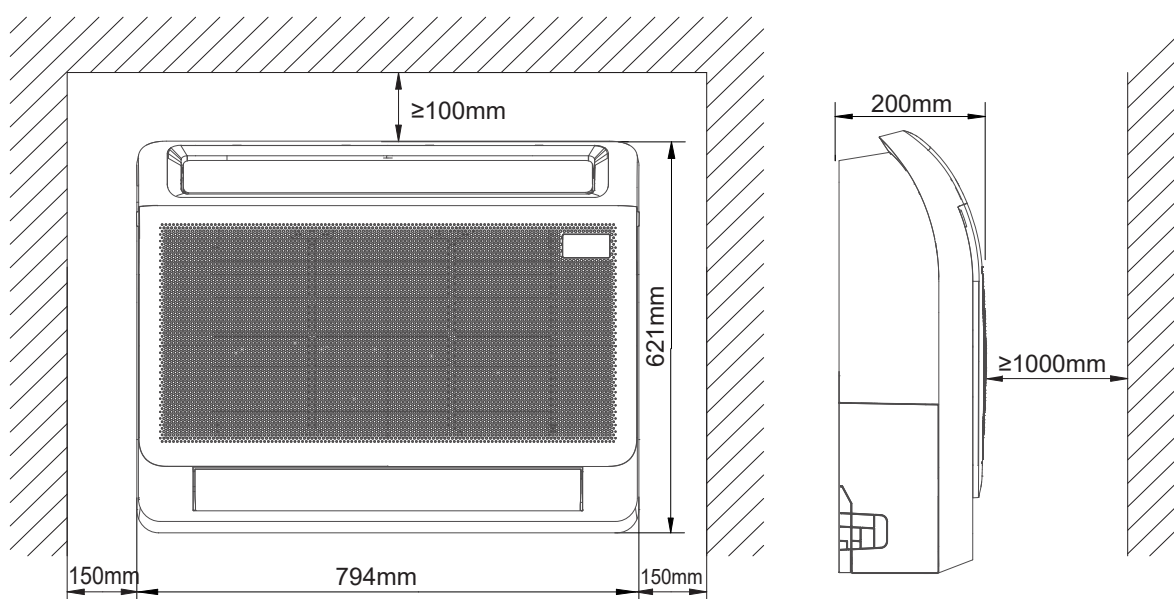
- ✓ Existe suficiente espacio para la instalación y el mantenimiento.
- ✓ Existe suficiente espacio para conectar el tubo y el tubo de drenaje.
- ✓ El techo es horizontal y su estructura puede soportar el peso de la unidad interior.
- ✓ La entrada y salida de aire no están bloqueadas.
- ✓ El flujo de aire puede llenar toda la habitación.
- ✓ No hay radiación directa de los calentadores.

NO instale dispositivo en las siguientes ubicaciones:

- ⊗ Áreas con perforación petrolera o fracturación
- ⊗ Áreas costeras con alto contenido de sal en el aire
- ⊗ Áreas con gases cáusticos en el aire, como aguas termales
- ⊗ Áreas que experimentan fluctuaciones de energía, como fábricas
- ⊗ Espacios cerrados, como armarios.
- ⊗ Cocinas que usan gas natural
- ⊗ Áreas con fuertes ondas electromagnéticas
- ⊗ Áreas donde se almacenan materiales inflamables o gas
- ⊗ Habitaciones con mucha humedad, como baños o lavaderos.

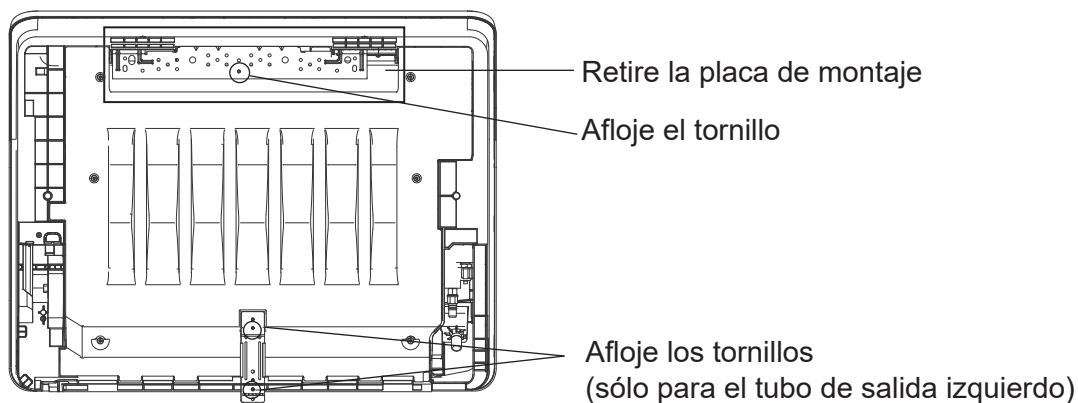
Distancias recomendadas a la unidad interior

La distancia a la unidad interior montada debe cumplir con las especificaciones ilustradas en el siguiente diagrama.



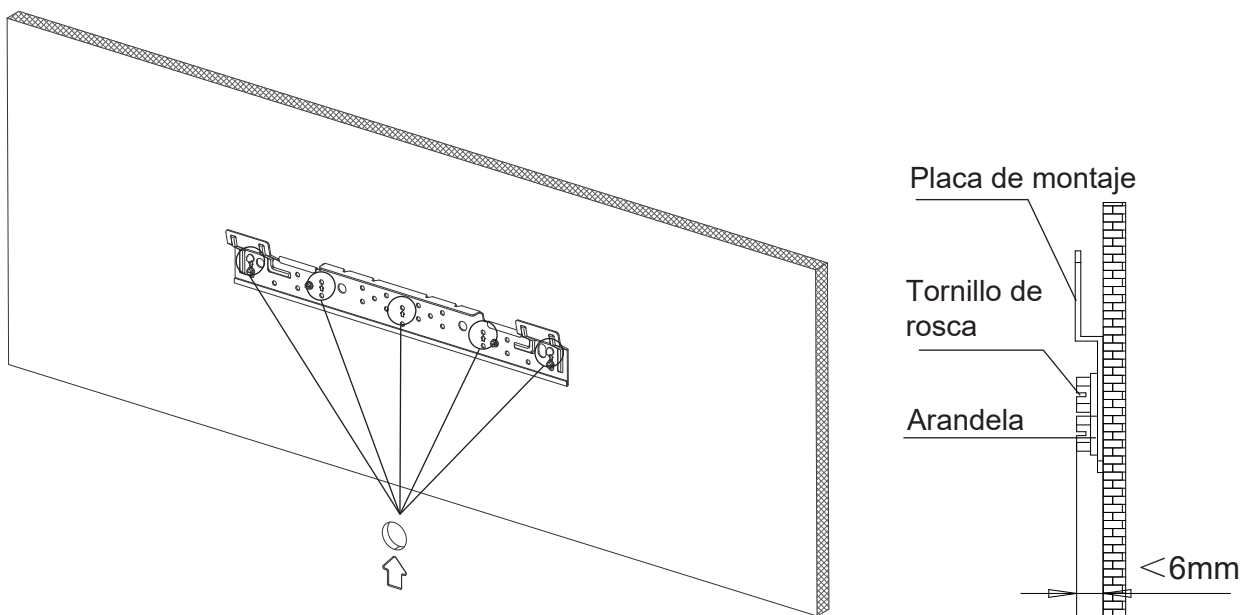
Paso 2: Instalar el cuerpo principal

- Después de aflojar los tornillos, retire la placa de montaje del dispositivo.

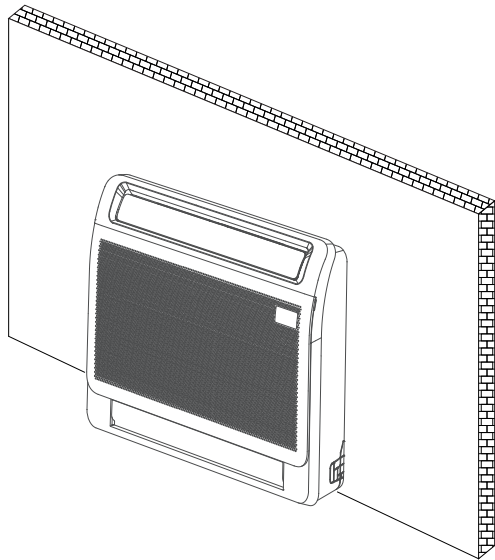


NOTA: Si el tubo sale por la izquierda, es necesario aflojar los tornillos de la placa de montaje inferior. Si el tubo sale en otras direcciones, no es necesario.

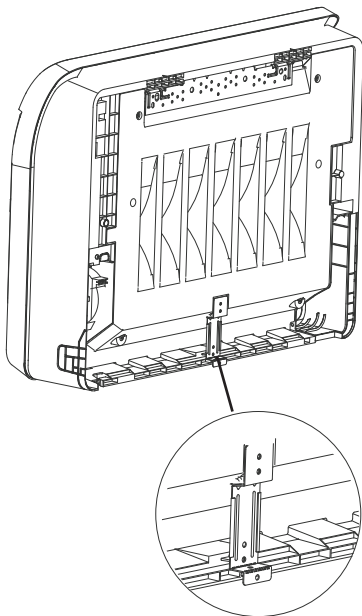
- Fije la placa de montaje con un tornillo roscado a la pared.
NOTA: Se recomienda fijarlo a la pared según el orificio de suspensión indicado por la flecha en la placa de montaje. La placa de montaje debe instalarse horizontalmente.



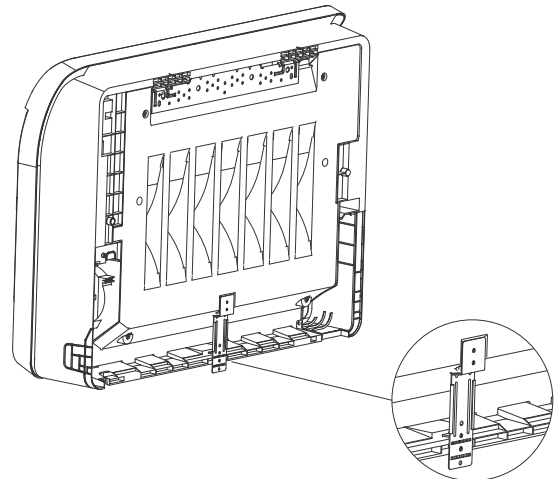
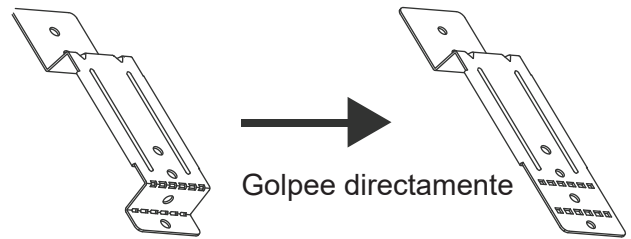
- Cuelgue la unidad interior en la placa de montaje.
(La parte inferior del cuerpo puede tocar el piso o permanecer suspendida, pero el cuerpo debe instalarse verticalmente).
NOTA: Después de la instalación, el dispositivo debe mantenerse horizontal sin inclinarse.



- Instalación de la placa de montaje inferior
Instalación sin zócalo
La placa de montaje inferior se fija directamente a la pared.



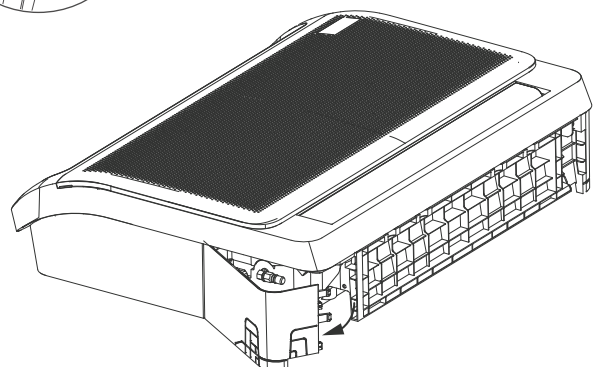
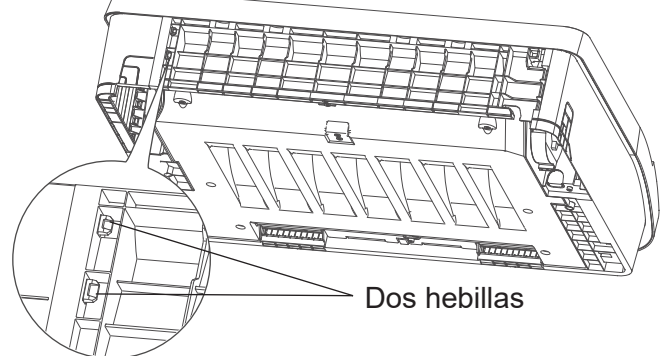
Instalación con rodapié
Golpee la placa de montaje inferior con una herramienta y fíjela en la línea del rodapié.



Paso 3: Desmontar la unidad interior para conectar los tubos

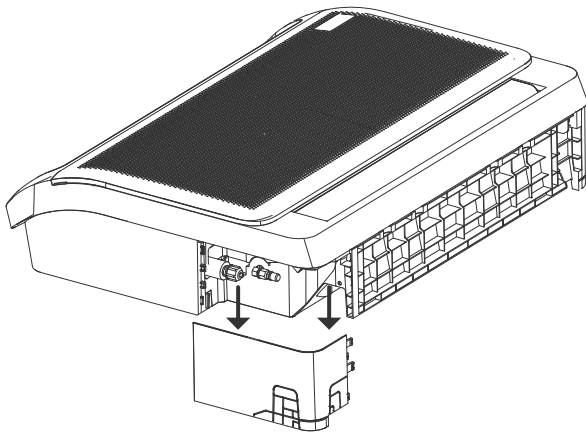
1. Abra la placa de cubierta de la tubería inferior

Presione y sostenga las dos hebillas inferiores y luego gire para abrir la placa de cubierta de la tubería.



2. Retire la placa de cubierta.

Retire la placa de cubierta del tubo e instale los tubos de conexión internos y externos.



NOTA: Instale primero las tuberías de tamaño pequeño y luego las de tamaño grande.

NOTA: Todas las figuras de este manual son solo para fines de demostración. El aire acondicionado que ha comprado puede tener un diseño ligeramente diferente, aunque su forma sea similar.

Paso 4: Configurar la dirección de red (algunos modelos)

(solo en caso de tarjetas multifunción opcionales con interfaz XYE)

Cada aire acondicionado en la red tiene una sola dirección de red para distinguirse entre sí. El código de dirección del aire acondicionado en LAN se establece mediante los interruptores de código F1 y ENC3 en el tablero multifunción Principal de la unidad interior, y el rango establecido es 0-63. (con tarjeta multifunción opcional)

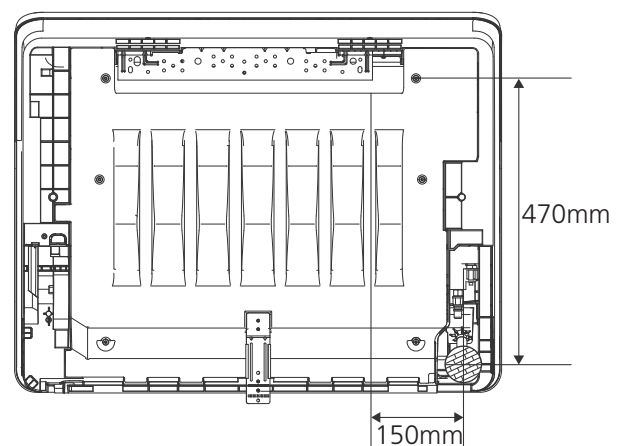
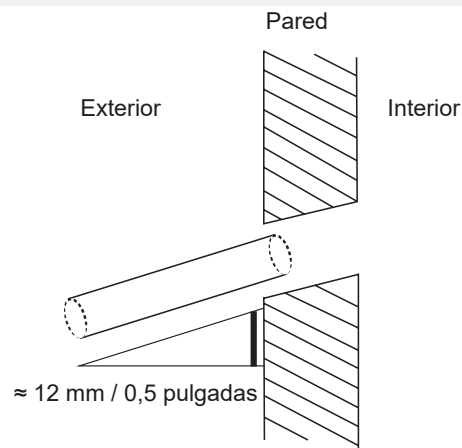
Juego de interruptores de palanca		Código de dirección de red
F1	ENC3	
		00~15
		16~31
		32~47
		48-63

Paso 5: Perforar el orificio de la pared para la tubería de conexión

1. Determine la ubicación del orificio de la pared según la ubicación de la unidad exterior.
2. Usando un taladro de núcleo de 65 mm (2,5 pulg.) ó 90 mm (3,54 pulg.) (según los modelos). Asegúrese de que el orificio esté perforado con un ligero ángulo hacia abajo, de modo que el extremo exterior del orificio quede más bajo que el extremo interior unos 12 mm (0,5 pulg.). Esto asegurará un drenaje adecuado del agua.
3. Coloque el manguito protector de pared en el orificio. Esto protege los bordes del orificio y ayudará a sellarlo cuando termine el proceso de instalación.

⚠ PRECAUCIÓN

Al perforar el orificio de la pared, asegúrese de evitar los cables, las tuberías y otros elementos sensibles



Posición y tamaño recomendados del tubo de salida posterior que pasa por el orificio de la pared

Paso 6: Conectar la manguera de drenaje

El tubo de drenaje se utiliza para drenar el agua del dispositivo. La instalación incorrecta puede causar daños al dispositivo ya la propiedad.

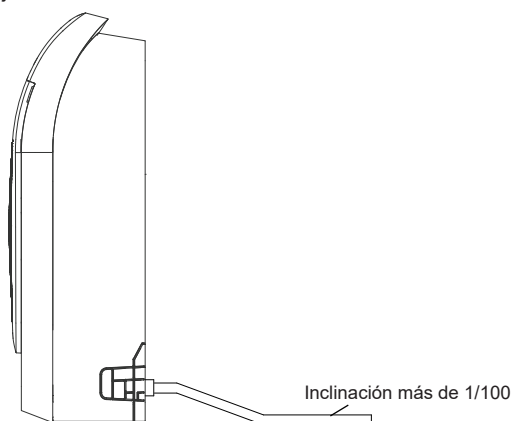
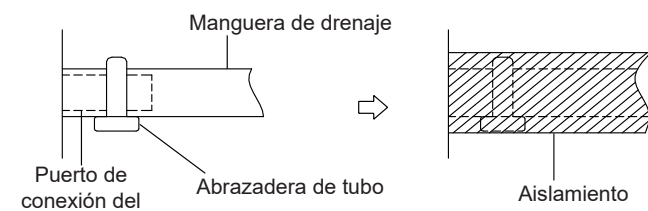
⚠ PRECAUCIÓN

- Aísle todas las tuberías para evitar la condensación, que podría provocar daños por agua.
- Si el tubo de drenaje está doblado o instalado incorrectamente, el agua puede filtrarse y causar un mal funcionamiento del interruptor de nivel de agua.
- En el modo HEAT, la unidad exterior descargará agua. Asegúrese de que la manguera de drenaje esté colocada en un área adecuada para evitar daños por agua y resbalones.
- NO tire del tubo de drenaje con fuerza. Esto podría desconectarlo.

NOTA SOBRE LA COMPRA DE TUBOS

La instalación requiere un tubo de polietileno (diámetro exterior = 3,7-3,9 cm, diámetro interior = 3,2 cm), que se puede obtener en una ferretería o un distribuidor local.

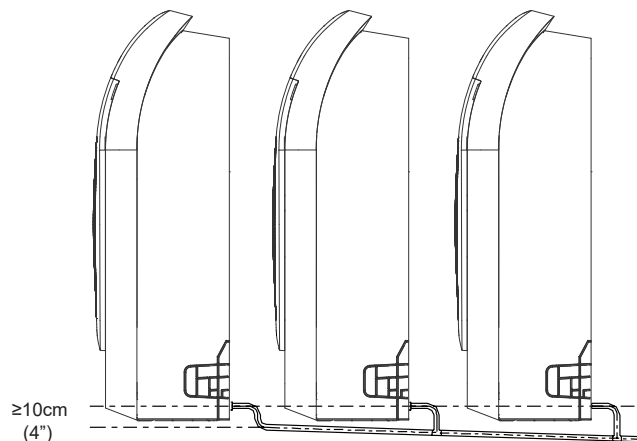
1. Cubra el tubo de drenaje con aislamiento térmico para evitar la condensación y las fugas.
2. Conecte la boca de la manguera de drenaje al tubo de salida del dispositivo. Cubra la boca de la manguera y sujétela firmemente con una abrazadera de tubo.



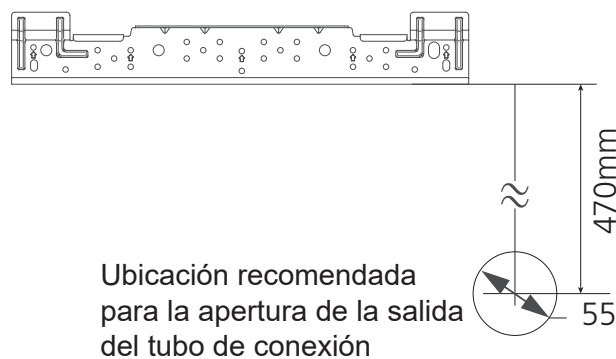
NOTA SOBRE LA INSTALACIÓN DEL TUBO DE DRENAJE

- Cuando utilice un tubo de drenaje prolongado, apriete la conexión interior con un tubo de protección adicional. Esto evita que se suelte.
- El tubo de drenaje debe tener una pendiente descendente de al menos 1/100 para evitar que el agua regrese al aire acondicionado.
- La instalación incorrecta podría hacer que el agua regrese al dispositivo y lo inunde.

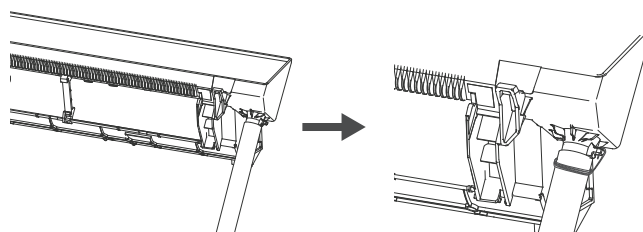
NOTA: Cuando conecte varios tubos de drenaje, instale los tubos como se ilustra.



Para garantizar un drenaje suave, la diferencia de altura entre la salida de la pared y la placa de suspensión debe ser superior a 470 mm.

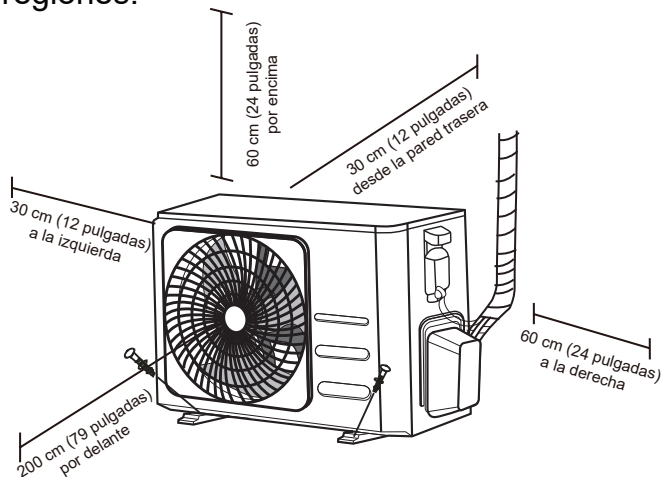


Requisitos de fijación del tubo de drenaje
Cuando instale el tubo de drenaje (no suministrado), fíjelo con un lazo o una cuerda.



Instalación de la Unidad Exterior

Instale el dispositivo siguiendo los códigos y regulaciones locales, puede haber ligeras diferencias entre las diferentes regiones.



Instrucciones de Instalación - Unidad Exterior

Paso 1: Seleccionar la ubicación de instalación

Antes de instalar la unidad exterior, debe elegir una ubicación adecuada. Los siguientes son estándares que le ayudarán a usted a elegir una ubicación adecuada para el dispositivo.

Las ubicaciones de instalación adecuadas cumplen con los siguientes estándares:

- ✓ Cumple con todos los requisitos de espacio que se muestran en los Requisitos de Espacio de Instalación anteriores.
- ✓ Buena circulación de aire y ventilación
- ✓ Firme y sólida: la ubicación puede soportar el dispositivo y no vibrará
- ✓ El ruido del dispositivo no molestará a los demás
- ✓ Protegido de períodos prolongados de la luz solar directa o la lluvia
- ✓ Cuando se anticipen nevadas, tome las medidas adecuadas para evitar la acumulación de hielo y daños a la bobina.

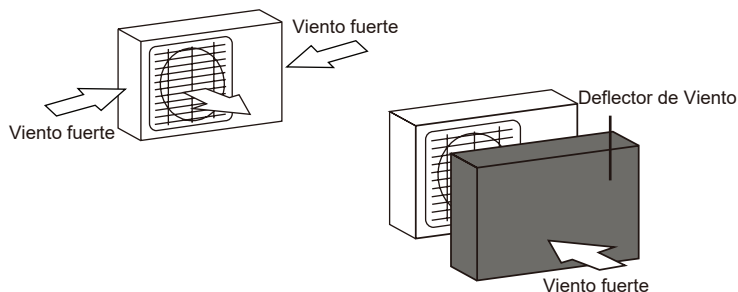
NO instale dispositivo en las siguientes ubicaciones:

- ⊘ Cerca de un obstáculo que bloqueará las entradas y salidas de aire
- ⊘ Cerca de una calle pública, áreas concurridas o donde el ruido del dispositivo molestará a otros
- ⊘ Cerca de animales o plantas que serán dañados por la descarga de aire caliente
- ⊘ Cerca de cualquier fuente de gas combustible
- ⊘ En un lugar expuesto a grandes cantidades de polvo
- ⊘ En un lugar expuesto a cantidades excesivas de aire salado

CONSIDERACIONES ESPECIALES PARA CLIMA EXTREMO

Si el dispositivo está expuesto a fuertes vientos:

Instale el dispositivo de manera que el ventilador de la salida de aire quede en un ángulo de 90° con respecto a la dirección del viento. Si es necesario, construya una barrera frente al dispositivo para protegerlo de vientos extremadamente fuertes. las Figuras a continuación.



Si el dispositivo está expuesto con frecuencia a fuertes lluvias o nieve:

Construya un refugio sobre el dispositivo para protegerlo de la lluvia o la nieve. Tenga cuidado de no obstruir el flujo de aire alrededor del dispositivo.

Si el dispositivo está expuesto con frecuencia al aire salado (en la costa):

Utilice una unidad exterior especialmente diseñada para resistir la corrosión.

Paso 2: Instalar el conector de drenaje (sólo en el dispositivo de la bomba de calor)

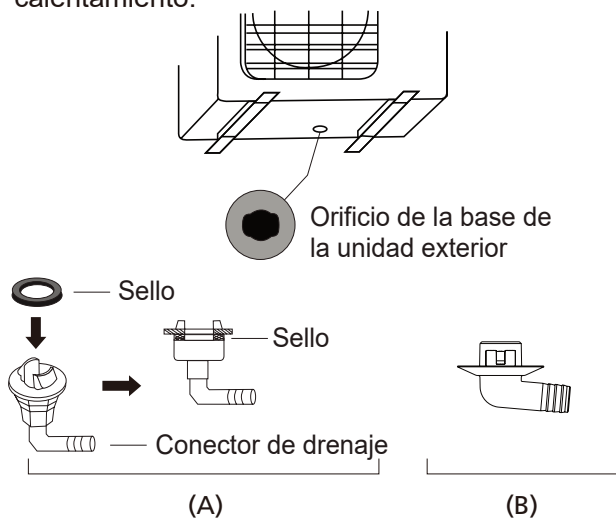
Antes de atornillar la unidad exterior en su lugar, debe instalar el conector de drenaje en la parte inferior del dispositivo. Tenga en cuenta que hay dos tipos diferentes de conectores de drenaje según el tipo de la unidad exterior.

Si el conector de drenaje viene con un sello de goma (vea la Fig. A), haga lo siguiente:

1. Coloque el sello de goma en el extremo del conector de drenaje que se conectará a la unidad exterior.
2. Inserte el conector de drenaje en el orificio de la base del dispositivo.
3. Gire el conector de drenaje 90° hasta que encaje en su lugar mirando hacia el frente del dispositivo.
4. Conecte la extensión de manguera de drenaje (no incluida) al conector de drenaje para redirigir el agua del dispositivo durante el modo de calentamiento.

Si el conector de drenaje no viene con un sello de goma (vea la Fig. B), haga lo siguiente:

1. Inserte el conector de drenaje en el orificio de la base del dispositivo. El conector de drenaje se instalará en su lugar.
2. Conecte la extensión de manguera de drenaje (no incluida) al conector de drenaje para redirigir el agua del dispositivo durante el modo de calentamiento.



! EN CLIMAS FRÍOS

En climas fríos, asegúrese de que la manguera de drenaje esté lo más vertical posible para asegurar un drenaje rápido del agua. Si el agua se drena demasiado lentamente, puede congelarse en la manguera e inundar el dispositivo.

Paso 3: Anclaje de la unidad exterior

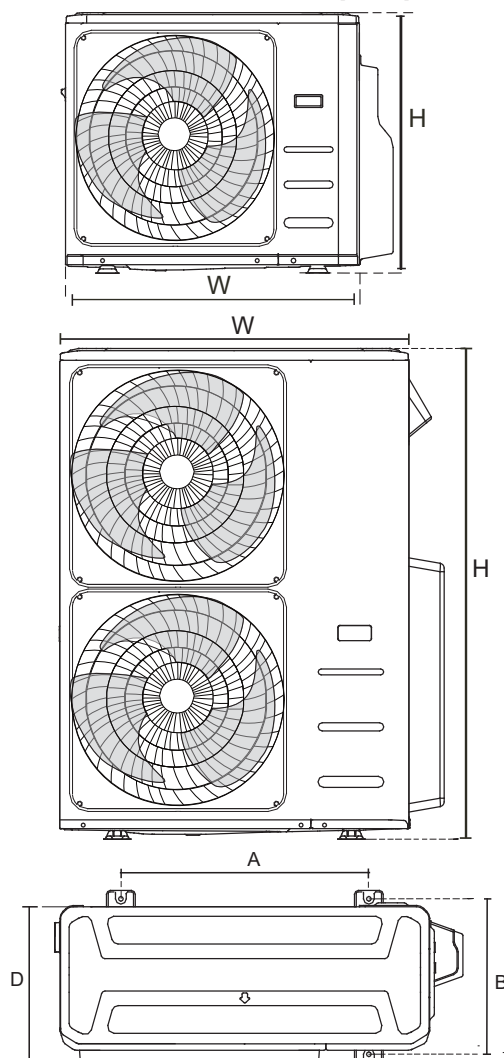
La unidad exterior se puede anclar al suelo o a un soporte de pared con perno (M10). Prepare la base de instalación del dispositivo de acuerdo con las dimensiones a continuación.

DIMENSIONES DE MONTAJE DEL DISPOSITIVO

La siguiente es una lista de tamaños de diferentes unidades exteriores y la distancia entre sus pies de montaje. Prepare la base de instalación del dispositivo de acuerdo con las dimensiones a continuación.

Tipos y Especificaciones de Unidades Exteriores

Unidad Exterior de Tipo Split



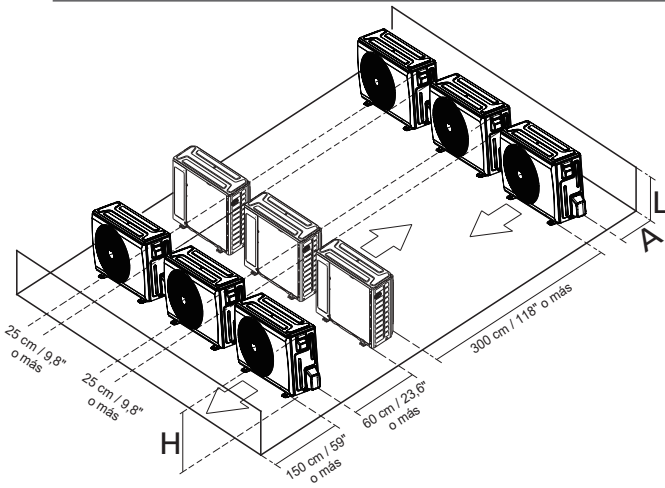
(Unidad: mm/pulgada)

Dimensiones de la Unidad Exterior W x H x D	Dimensiones de Montaje	
	Distancia A	Distancia B
765x555x303 (30.1x21.8x11.9)	452 (17.8)	286(11.3)
805x554x330 (31.7x21.8x12.9)	511 (20.1)	317 (12.5)

Filas de instalación en serie

Las relaciones entre H, A y L son las siguientes.

	L	A
$L \leq H$	$L \leq 1/2H$	25 cm / 9,8" o más
	$1/2H < L \leq H$	30 cm / 11,8" o más
$L > H$	No se puede instalar	



Conexión del Tubo de Refrigerante

Al conectar el tubo de refrigerante, no permita que las sustancias o gases distintos del refrigerante especificado entren en el dispositivo. La presencia de otros gases o sustancias reducirá la capacidad del dispositivo y puede causar una presión anormalmente alta en el ciclo de refrigeración. Esto puede causar explosión y lesiones.

Nota sobre la Longitud del Tubo

Asegúrese de que la longitud del tubo refrigerante, el número de curvas y la altura de caída entre las unidades interiores y exteriores cumplan con los requisitos que se muestran en la siguiente tabla:

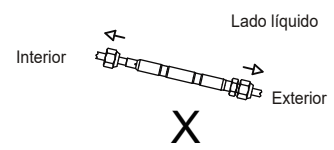
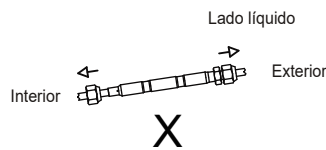
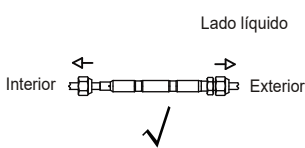
La Longitud Máxima y la Altura de Caída Según los Modelos. (Unidad: m/ft.)

Tipo de modelo	Capacidad (Btu/h)	Longitud del tubo	Altura máxima de caída
Tipo Split de frecuencia variable para UE	<15K	25/82	10/32.8
	≥15K - <24K	30/98.4	20/65.6
	≥24K - <36K	50/164	25/82
	≥36K - ≤60K	75/246	30/98.4

PRECAUCIÓN

Marque la placa de identificación con orificio instalada (para algunos modelos).

- Compre los accesorios estrictamente de acuerdo con los requisitos del manual.
- Consulte el diagrama al instalar.



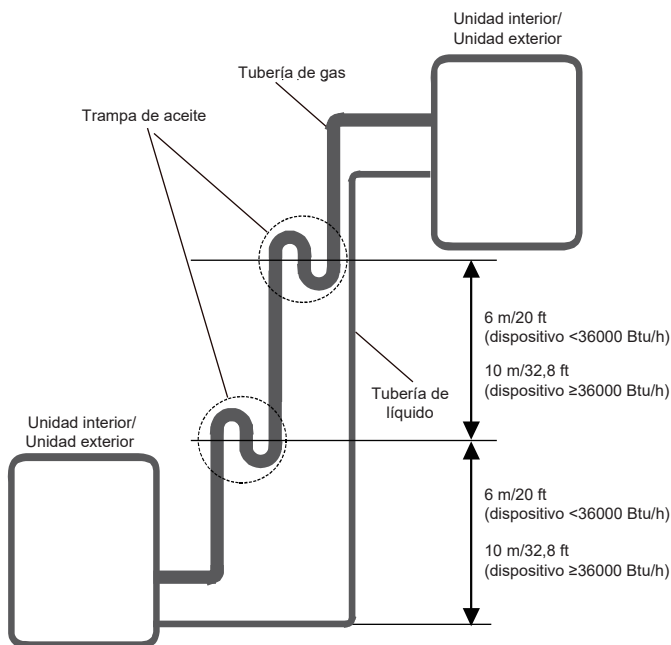
⚠ PRECAUCIÓN

Trampas de aceite

Si el aceite vuelve al compresor de la unidad exterior, esto podría causar la compresión del líquido o el deterioro del retorno del aceite. Las trampas de aceite en las tuberías de gas ascendente pueden evitarlo.

Debe instalarse una trampa de aceite cada 6 m (20 ft) de la línea vertical de aspiración (<36000 Btu/h dispositivo).

Debe instalarse una trampa de aceite cada 10 m (32.8 ft) de la línea vertical de succión (≥ 36000 Btu/h dispositivo).



Instrucciones de Conexión - Tubo de Refrigerante

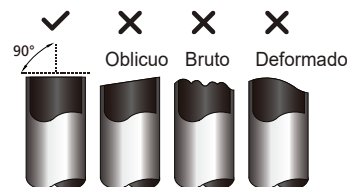
⚠ PRECAUCIÓN

- El tubo de bifurcación debe instalarse horizontalmente. Un ángulo de más de 10° puede causar un mal funcionamiento.
- NO instale el tubo de conexión hasta que se hayan instalado las unidades interiores y exteriores.
- Aísle tanto las tuberías de gas como las de líquido para evitar fugas de agua.

Paso 1: Cortar los tubos

Al preparar los tubos de refrigerante, tenga mucho cuidado de cortarlos y abocinarlos correctamente. Esto asegurará una operación eficiente y minimizará la necesidad de mantenimiento futuro.

1. Mida la distancia entre las unidades interiores y exteriores.
2. Usando un cortador de tubos, corte el tubo un poco más que la distancia medida.
3. Asegúrese de que el tubo esté cortado en un ángulo perfecto de 90°.



⊘ NO DEFORME EL TUBO DURANTE EL CORTE

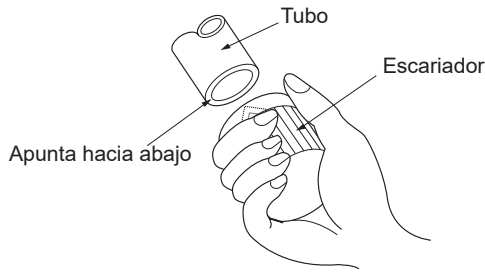
Tenga mucho cuidado de no dañar, abollar o deformar el tubo mientras lo corta. Esto reducirá drásticamente la eficiencia de calentamiento del dispositivo.

Paso 2: Eliminar las rebabas.

Las rebabas pueden afectar al sello hermético de la conexión de los tubos de refrigerante. Deben eliminarse por completo.

1. Sostenga el tubo en un ángulo hacia abajo para evitar que caigan rebabas en el tubo.

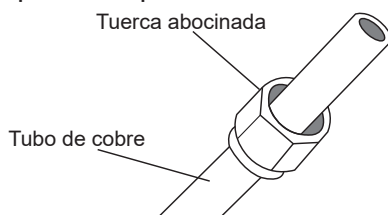
- Con un escariador o una herramienta de desbarbado, elimine todas las rebabas de la sección cortada del tubo.



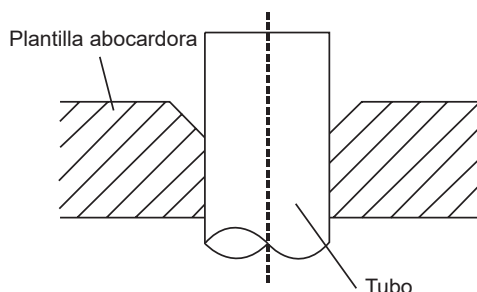
Paso 3: Abocardar los extremos de tubos

El abocardado adecuado es esencial para lograr un sello hermético.

- Después de quitar las rebabas del tubo cortado, selle los extremos con cinta de PVC para evitar que entren materiales extraños en el tubo.
- Recubra el tubo con material aislante.
- Coloque tuercas abocinadas en ambos extremos del tubo. Asegúrese de que estén orientados en la dirección correcta, porque no puede ponérselos o cambiar su dirección después de que se ensanchen.



- Retire la cinta de PVC de los extremos del tubo cuando esté listo para realizar el trabajo de abocardado.
- Sujete la plantilla abocardadora en el extremo del tubo. El extremo del tubo debe extenderse más allá de la plantilla abocardadora.



- Coloque la herramienta de abocardado en la plantilla.
- Gire el mango de la herramienta de abocardado en el sentido de las agujas del reloj hasta que el tubo esté completamente abocardado. Abocardar el tubo de acuerdo con las dimensiones.

EXTENSIÓN DE LA TUBERÍA MÁS ALLÁ DE LA PLANTILLA ABOCARDORA

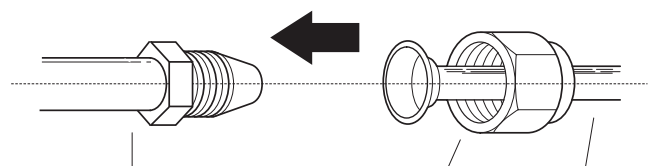
Calibrador de tubos	Par de apriete	Dimensión de abocardado (A) (unidad: mm/pulg.)		Forma de abocardado
		Mín.	Máx.	
Ø 6.35	18-20 N.m (180-200 kgf.cm)	8.4/0.33	8.7/0.34	
Ø 9.52	32-39 N.m (320-390 kgf.cm)	13.2/0.52	13.5/0.53	
Ø 12.7	49-59 N.m (490-590 kgf.cm)	16.2/0.64	16.5/0.65	
Ø 16	57-71 N.m (570-710 kgf.cm)	19.2/0.76	19.7/0.78	
Ø 19	67-101 N.m (670-1010 kgf.cm)	23.2/0.91	23.7/0.93	
Ø 22	85-110 N.m (850-1100 kgf.cm)	26.4/1.04	26.9/1.06	

- Retire la herramienta de abocardado y la plantilla abocardadora, luego inspeccione el extremo del tubo en busca de grietas e incluso abocinamiento.

Paso 4: Conectar los tubos

Primero conecte los tubos de cobre a la unidad interior, luego conéctelos a la unidad exterior. Primero debe conectar el tubo de baja presión, luego el tubo de alta presión.

- Al conectar las tuercas abocinadas, aplique una fina capa de aceite de refrigeración a los extremos abocinados de los tubos.
- Alinee el centro de los dos tubos a conectar.

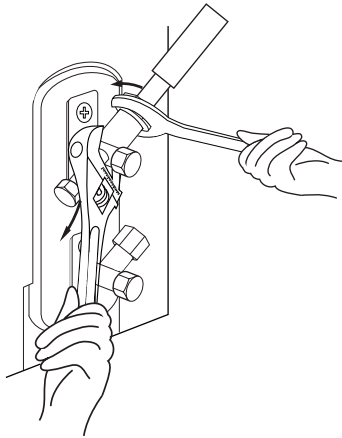


Tubería de la unidad interior Tuerca abocinada Tubo

- Apriete la tuerca abocinada tan fuerte como sea posible con la mano.
- Usando una llave inglesa, sujete la tuerca en la tubería del dispositivo.

- Mientras sujeta firmemente la tuerca, utilice una llave dinamométrica para apretar la tuerca abocinada de acuerdo con los valores de par de la tabla anterior.
- Después de conectar los tubos de cobre a la unidad interior, envuelva el cable de la fuente de alimentación, el cable de señal y la tubería con cinta adhesiva.

NOTA: Use tanto una llave inglesa como una llave dinamométrica cuando conecte o desconecte los tubos hacia/desde el dispositivo.



NOTA: **NO** entrelace el cable de señal con otros cables. Al unir estos elementos, no entrelace ni cruce el cable de señal con ningún otro cableado.

- Pase esta tubería por la pared y conéctela a la unidad exterior.
- Aísle todas las tuberías, incluidas las válvulas de la unidad exterior.
- Abra las válvulas de cierre de la unidad exterior para iniciar el flujo de refrigerante entre la unidad interior y exterior.

PRECAUCIÓN

Verifique que no haya fugas de refrigerante después de completar el trabajo de instalación. Si hay una fuga de refrigerante, ventile el área inmediatamente y evacúe el sistema (consulte la sección Purga de Aire de este manual).

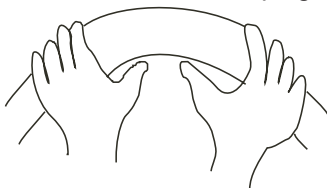
PRECAUCIÓN

- Asegúrese de envolver el aislamiento alrededor de la tubería. El contacto directo con la tubería desnuda puede provocar quemaduras o congelación.
- Asegúrese de que el tubo esté correctamente conectado. Un ajuste excesivo puede dañar la boca abocinada y un ajuste insuficiente puede provocar fugas.

NOTA SOBRE EL RADIO DE CURVATURA MÍNIMO

Doble con cuidado la tubería en el medio de acuerdo con el diagrama a continuación. **NO** doble la tubería más de 90° ni más de 3 veces.

Doble el tubo con el pulgar



radio mínimo 10 cm (3,9")

NOTA: Después de conectar la tubería, envuelva el cabezal del tubo de conexión con el tubo de aislamiento en el paquete de accesorios.

Cableado

ANTES DE REALIZAR CUALQUIER TRABAJO ELÉCTRICO, LEA ESTE REGLAMENTO

1. Todo el cableado debe cumplir con los códigos y reglamentos eléctricos locales y nacionales y debe ser instalado por un electricista autorizado.
2. Todas las conexiones eléctricas deben realizarse de acuerdo con el Diagrama de Conexión Eléctrica ubicado en los paneles de las unidades interiores y exteriores.
3. Si hay un problema de seguridad grave con el suministro de la fuente de alimentación, deje de trabajar inmediatamente. Explique su razón al cliente y niéguese a instalar el dispositivo hasta que el problema de seguridad se resuelva correctamente.
4. El voltaje de alimentación debe estar entre el 90 y el 110% del voltaje nominal. Una fuente de alimentación insuficiente puede causar un mal funcionamiento, una descarga eléctrica o un incendio.
5. Si se conecta la alimentación a un cableado fijo, se debe instalar un protector contra sobretensiones y un interruptor principal de alimentación.
6. Si se conecta la alimentación a un cableado fijo, se debe incorporar en el cableado fijo un interruptor o disyuntor que desconecte todos los polos y tenga una separación de contactos de al menos 1/8 pulg. (3 mm). El técnico calificado debe usar un disyuntor o interruptor aprobado.
7. Conecte el dispositivo únicamente a un tomacorriente de un circuito derivado individual. No conecte otro dispositivo a esa salida.
8. Asegúrese de conectar correctamente a tierra el aire acondicionado.
9. Cada cable debe estar firmemente conectado. El cableado suelto puede hacer que el terminal se sobrecaliente, lo que puede provocar un mal funcionamiento del producto y un posible incendio.
10. No permita que los cables toquen o descansen contra la tubería de refrigerante, el compresor o cualquier pieza móvil dentro del dispositivo.
11. Si el dispositivo tiene un calentador eléctrico auxiliar, debe instalarse al menos a 1 metro (40 pulgadas) de distancia de cualquier material combustible.
12. Para evitar una descarga eléctrica, nunca toque los componentes eléctricos poco tiempo después de que se haya apagado la fuente de alimentación. Después de apagar la fuente de alimentación, espere siempre 10 minutos o más antes de tocar los componentes eléctricos.
13. Asegúrese de no cruzar el cable eléctrico con el cable de señal. Esto puede causar distorsión e interferencia.
14. El dispositivo debe estar conectado a la salida principal. Normalmente, la fuente de alimentación debe tener una impedancia de 32 ohmios.
15. No se debe conectar ningún otro equipo al mismo circuito de alimentación.
16. Conecte los cables exteriores antes de conectar los cables interiores.



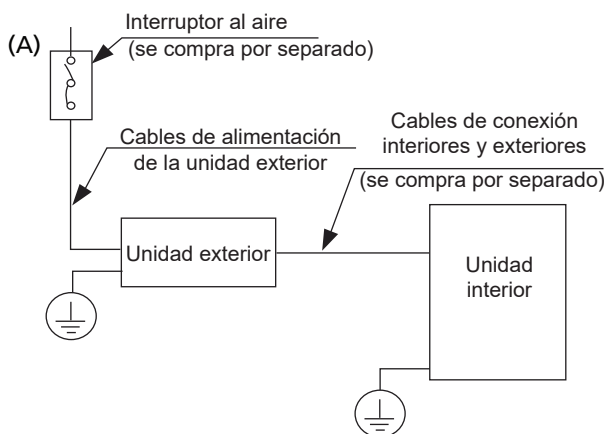
ADVERTENCIA

ANTES DE REALIZAR CUALQUIER TRABAJO ELÉCTRICO O DE CABLEADO, APAGUE LA ALIMENTACIÓN PRINCIPAL DEL SISTEMA.

NOTA SOBRE EL INTERRUPTOR AL AIRE

Cuando la corriente máxima del aire acondicionado sea superior a 16A, se debe utilizar un interruptor al aire o un interruptor de protección contra fugas con dispositivo de protección (adquirido por separado). Cuando la corriente máxima del aire acondicionado sea inferior a 16A, la fuente de alimentación del cable de aire acondicionado deberá estar equipada con un enchufe (adquirido por separado).

En Norteamérica, la aplicación debe ser cableada de acuerdo con los requisitos de NEC y CEC.



NOTA: Los cógrafos son sólo para fines explicativos. Su máquina puede ser ligeramente diferente. Prevalecerá la forma real.

Cableado de la Unidad Exterior



ADVERTENCIA

Antes de realizar cualquier trabajo eléctrico o de cableado, apague la alimentación principal al sistema.

1. Prepare el cable para la conexión.
 - a. Primero debe elegir el tamaño de cable correcto. Asegúrese de utilizar cables H07RN-F.

NOTA: En Norteamérica, elija el tipo de cable de acuerdo con los códigos y reglamentos eléctricos locales.

Sección Transversal Mínima de los Cables de Alimentación y Señal (Para referencia)

Corriente Nominal del Dispositivo (A)	Sección Transversal Nominal (mm ²)
> 3 y ≤ 6	0.75
> 6 y ≤ 10	1
> 10 y ≤ 16	1.5
> 16 y ≤ 25	2.5
> 25 y ≤ 32	4
> 32 y ≤ 40	6

ELIJA EL TAMAÑO DE CABLE ADECUADO

El tamaño del cable de la fuente de alimentación, el cable de señal, el fusible y el interruptor necesarios está determinado por la corriente máxima del dispositivo. La corriente máxima se indica en la placa de identificación ubicada en el panel lateral del dispositivo. Consulte esta placa de identificación para elegir el cable, fusible o interruptor adecuado.

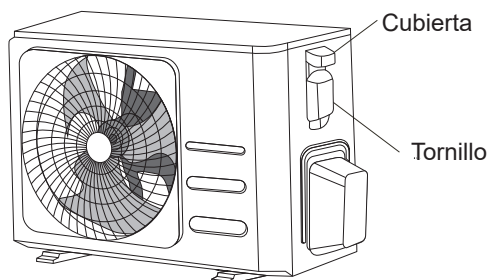
NOTA: En Norteamérica, elija el tamaño de cable adecuado según la ampacidad mínima del circuito indicada en la placa de identificación del dispositivo.

- b. Usando pelacables, pele la cubierta de goma de ambos extremos del cable de señal para revelar aproximadamente 15 cm (5,9") de cable.

- c. Pele el aislamiento de los extremos.
- d. Usando una crimpadora de cables, crimpe las lengüetas en U a los extremos.

NOTA: Al conectar los cables, siga estrictamente el diagrama de cableado que se encuentra dentro de la tapa de la caja eléctrica.

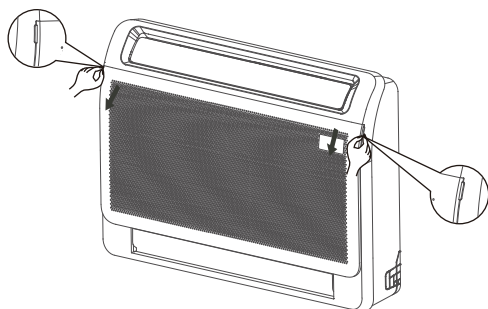
2. Retire la cubierta eléctrica de la unidad exterior. Si no hay cubierta en la unidad exterior, retire los pernos del tablero de mantenimiento y retire el tablero de protección.



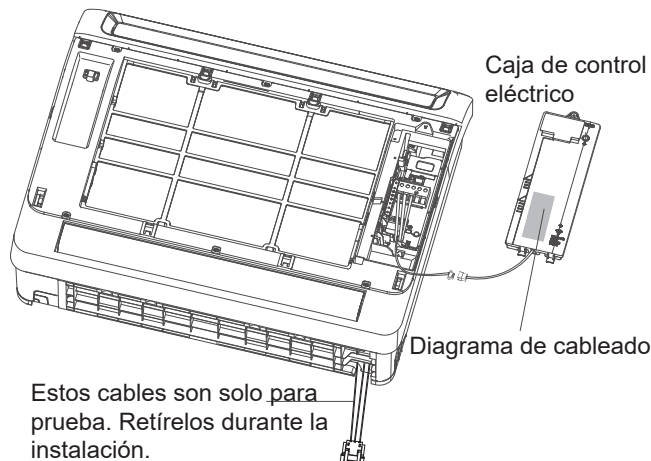
3. Conecte las lengüetas en U a los terminales. Haga coincidir los colores/etiquetas de los cables con las etiquetas de la regleta de terminales. Atornille firmemente la lengüeta en U de cada cable a su terminal correspondiente.
4. Sujete el cable con la abrazadera de cable.
5. Aísle los cables no utilizados con cinta aisladora. Manténgalos alejados de cualquier pieza eléctrica o metálica.
6. Vuelva a instalar la tapa de la caja de control eléctrico.

Cableado de la Unidad Interior

1. Prepare el cable para la conexión.
 - a. Usando pelacables, pele la funda de goma de ambos extremos del cable de señal para dejar al descubierto unos 15 cm (5,9") del cable.
 - b. Pele el aislamiento de los extremos de los cables.
 - c. Usando una crimpadora de cables, crimpe las lengüetas en U a los extremos de los cables.
2. Tire de las manijas izquierda y derecha del panel delantero, tire del panel hacia afuera y ábralo.

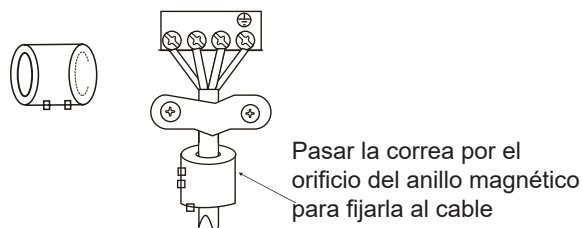


3. Retire la caja de control eléctrico. Conecte las lengüetas en U a los terminales. Haga coincidir los colores/etiquetas de los cables con las etiquetas en la regleta de terminales. Atornille firmemente la lengüeta en U de cada cable a su terminal correspondiente. Consulte el Número de Serie y Diagrama de Cableado ubicado en la tapa de la caja de control eléctrico.



NOTA: Al sacar la caja de control eléctrico, preste atención para aflojar y quitar el terminal.

Anillo magnético (si se suministra y embala con los accesorios)



⚠ PRECAUCIÓN

- Las ilustraciones de este manual tienen fines explicativos. Prevalecerá la forma real.
 - Al conectar los cables, siga estrictamente el diagrama de cableado.
 - El circuito de refrigerante puede calentarse mucho. Mantenga el cable de interconexión alejado del tubo de cobre.
- 5.

4. Sujete el cable con la abrazadera de cable designada para asegurarlo en su lugar. El cable no debe estar suelto y no debe tirar de las lengüetas en U.
Vuelva a instalar la cubierta de la caja eléctrica y el panel delantero de la unidad interior.

Especificaciones de la Alimentación

MODELO (Btu/h)		<16K	16K-18K
Alimentación	FASE	1 fase	1 fase
	FRECUENCIA Y VOLTAJE	220-240V~, 50Hz/60Hz	220-240V~, 50Hz/60Hz
DISYUNTOR (A)		16	16
CABLEADO DE ALIMENTACIÓN DE LA UNIDAD INTERIOR (mm ²)		—	—
CABLEADO DE CONEXIÓN INTERIOR/EXTERIOR (mm ²)	CABLEADO DE ALIMENTACIÓN DE LA UNIDAD EXTERIOR	3x1.5	3x1.5
	FUERTE SEÑAL ELÉCTRICA	4x1.5	4x1.5
	SEÑAL ELÉCTRICA DÉBIL	—	—
	CABLEADO A TIERRA	1.5	1.5

Purga de Aire

Preparativos y Precauciones

El aire y las materias extrañas en el circuito del refrigerante pueden causar aumentos anormales de la presión, lo que puede dañar el aire acondicionado, reducir su eficiencia y causar lesiones. Utilice una bomba de vacío y un manómetro para evacuar el circuito de refrigerante, eliminando cualquier gas no condensable y humedad del sistema.

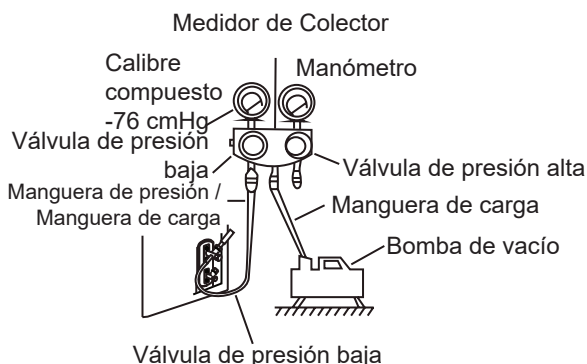
La evacuación debe realizarse en la instalación inicial y cuando se reubica el dispositivo.

ANTES DE REALIZAR LA EVACUACIÓN

- Verifique que los tubos de conexión entre las unidades interiores y exteriores estén conectados correctamente.
- Verifique que todo el cableado esté conectado correctamente.

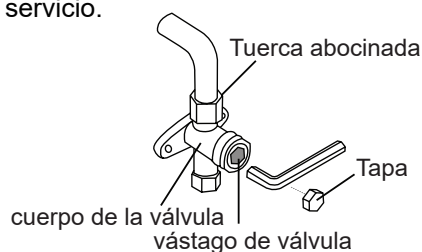
Instrucciones de Evacuación

1. Conecte la manguera de carga del manómetro del colector al puerto de servicio en la válvula de presión baja de la unidad exterior.
2. Conecte otra manguera de carga desde el manómetro del colector a la bomba de vacío.
3. Abra el lado de Baja Presión del manómetro del colector. Mantenga el lado de Alta Presión cerrado.
4. Encienda la bomba de vacío para evacuar el sistema.
5. Haga funcionar el vacío durante al menos 15 minutos, o hasta que el Medidor Compuesto indique -76 cmHg (-105 Pa).



6. Cierre el lado de Baja Presión del manómetro y apague la bomba de vacío.
7. Espere 5 minutos, luego verifique que no haya habido cambios en la presión del

8. Si hay un cambio en la presión del sistema, consulte la sección Verificación de Fugas de Gas para obtener información sobre cómo verificar si hay fugas. Si no hay cambio en la presión del sistema, desenrosque la tapa de la válvula empaquetada (válvula de presión alta).
9. Inserte la llave hexagonal en la válvula empaquetada (válvula de presión alta) y abra la válvula girando la llave 1/4 de vuelta en sentido antihorario. Escuche si sale gas del sistema, luego cierre la válvula después de 5 segundos.
10. Observe el Indicador de Presión durante un minuto para asegurarse de que no haya cambios en la presión. La lectura del Indicador de Presión debe ser un poco más alta que la presión atmosférica.
11. Retire la manguera de carga del puerto de servicio.



12. Usando una llave hexagonal, abra completamente las válvulas de alta y baja presión.
13. Apriete las tapas de las válvulas en las tres válvulas (puerto de servicio, alta presión, baja presión) con la mano. Puede apretarlas más con una llave dinamométrica si es necesario.

! ABRA SUAVEMENTE LOS VÁSTAGOS DE LA VÁLVULA

Al abrir los vástagos de las válvulas, gire la llave hexagonal hasta que toque el tapón. No intente forzar la válvula para que se abra más.

Nota sobre la Adición de Refrigerante

Algunos sistemas requieren carga adicional según la longitud de los tubos. La longitud del tubo estándar varía en función de la normativa local. Por ejemplo, en Norteamérica, la longitud del tubo estándar es de 7,5 m (25').

En otras áreas, la longitud del tubo estándar es de 5 m (16'). El refrigerante debe cargarse desde el puerto de servicio en la válvula de presión baja de la unidad exterior. El refrigerante adicional a cargar se puede calcular mediante la siguiente fórmula:

Diámetro del Lado Líquido

	φ6.35(1/4")	φ9.52(3/8")	φ12.7(1/2")
R22 (tubo de orificio en la unidad interior):	(Longitud total del tubo - longitud estándar del tubo) x 30 g (0,32 oZ) /m(ft)	(Longitud total del tubo - longitud estándar del tubo) x 65 g (0,69 oZ) /m(ft)	(Longitud total del tubo - longitud estándar del tubo) x 115 g (1,23 oZ) /m(ft)
R22 (tubo de orificio en la unidad exterior):	(Longitud total del tubo - longitud estándar del tubo) x15 g (0,16 oZ) /m(ft)	(Longitud total del tubo - longitud estándar del tubo) x30 (0,32 oZ) /m(ft)	(Longitud total del tubo - longitud estándar del tubo) x60 g (0,64 oZ) /m(ft)
R410A: (tubo de orificio en la unidad interior):	(Longitud total del tubo - longitud estándar del tubo) x30 g (0,32 oZ) /m(ft)	(Longitud total del tubo - longitud estándar del tubo) x65 g (0,69 oZ) /m(ft)	(Longitud total del tubo - longitud estándar del tubo) x115 g (1,23 oZ) /m(ft)
R410A: (tubo de orificio en la unidad exterior):	(Longitud total del tubo - longitud estándar del tubo) x15 g (0,16 oZ) /m(ft)	(Longitud total del tubo - longitud estándar del tubo) x30 g (0,32 oZ) /m(ft)	(Longitud total del tubo - longitud estándar del tubo) x65 g (0,69 oZ) /m(ft)
R32 :	(Longitud total del tubo - longitud del tubo estándar) x 12g (0,13oZ) /m(ft)	(Longitud total del tubo - longitud del tubo estándar) x 24g (0,26oZ) /m(ft)	(Longitud total del tubo - longitud del tubo estándar) x 40g (0,42oZ) /m(ft)



PRECAUCIÓN NO mezcle diferentes tipos de refrigerante.

Solo para modelos de Australia:

- Este dispositivo contiene refrigerante cargado en la fábrica que cubre 20m de tubo de refrigerante y no se requiere carga adicional de refrigerante en el sitio de instalación para una instalación con tubo de refrigerante de hasta 20m. Cuando el tubo de refrigerante exceda los 20 m, cargue adicionalmente una cantidad calculada a partir de la longitud del tubo y la tabla anterior para la parte que exceda los 20 m.
- Si se utiliza un sistema de tubo existente, el volumen de carga de refrigerante requerido variará según el tamaño del tubo de líquido.

Fórmula para calcular el volumen de refrigerante adicional necesario:

$$\text{Volumen de carga adicional (kg)} = \{ \text{Longitud principal (m)} - \text{Volumen cargado en fábrica 20 (m)} \} \times 0,03(\text{kg/m})$$

- Asegúrese de eliminar la cantidad de refrigerante adicional de acuerdo con la carga nominal de la placa de identificación (menos de 5 m de tubo de refrigerante) bajo pruebas de verificación gubernamentales o del mercado.

Prueba de Funcionamiento

Antes de la Prueba de Funcionamiento

Se debe realizar una prueba de funcionamiento después de que todo el sistema se haya instalado por completo. Confirme los siguientes puntos antes de realizar la prueba:

- a) Las unidades interiores y exteriores estén correctamente instaladas.
- b) Las tuberías y el cableado estén correctamente conectados.
- c) No hay obstáculos cerca de la entrada y salida del dispositivo que puedan causar un mal desempeño o mal funcionamiento del producto.
- d) El sistema de refrigeración no tiene fugas.
- e) El sistema de drenaje no tiene obstáculos y drena a un lugar seguro.
- f) El aislamiento térmico está correctamente instalado.
- g) Los cables de puesta a tierra están correctamente conectados.
- h) Se han registrado la longitud de la tubería y la capacidad adicional de almacenamiento de refrigerante.
- i) El voltaje de alimentación es el voltaje correcto para el aire acondicionado.



PRECAUCIÓN

Si no se realiza la prueba de funcionamiento, pueden producirse daños al dispositivo, daños a la propiedad o lesiones personales.

Instrucciones para la Prueba de Funcionamiento

1. Abra las válvulas de cierre de líquido y gas.
2. Encienda el interruptor principal de alimentación y deje que el dispositivo se caliente.
3. Ponga el aire acondicionado en el modo COOL.
4. Para la Unidad Interior
 - a. Asegúrese de que el control remoto y sus botones funcionen correctamente.
 - b. Asegúrese de que las rejillas se muevan correctamente y se puedan cambiar con el control remoto.
 - c. Compruebe de nuevo si la temperatura ambiente se registre correctamente.
 - d. Asegúrese de que los indicadores del control remoto y panel de visualización de la unidad interior funcionan correctamente.
 - e. Asegúrese de que los botones manuales de la unidad interior funcionan correctamente.

- f. Compruebe que el sistema de drenaje no tiene obstáculos y drena sin problemas.
 - g. Asegúrese de que no haya vibraciones ni ruidos anormales durante el funcionamiento.
5. Para la Unidad Exterior
 - a. Revise para ver si el sistema de refrigeración tiene fugas.
 - b. Asegúrese de que no haya vibraciones ni ruidos anormales durante el funcionamiento.
 - c. Asegúrese de que el viento, el ruido y el agua generados por el dispositivo no molesten a sus vecinos ni representen un peligro para la seguridad.
 6. Prueba de drenaje
 - a. Asegúrese de que el líquido en el tubo de drenaje fluye sin problemas. Para los edificios nuevos, se debe realizar esta prueba antes de terminar el techo.
 - b. Retire la cubierta de la prueba. Añade 2.000 ml de agua al depósito a través del tubo adjunto.
 - c. Encienda el interruptor principal de alimentación y haga funcionar el aire acondicionado en el modo COOL.
 - d. Escuche el sonido de la bomba de drenaje para ver si hace algún ruido inusual.
 - e. Verifique si el agua se descarga. Puede tomar hasta un minuto antes de que el dispositivo comience a drenarse dependiendo del tubo de drenaje.
 - f. Asegúrese de que no haya fugas en ninguna de las tuberías.
 - g. Pare el aire acondicionado. Apague el interruptor principal de alimentación y vuelva a instalar la cubierta de prueba.

NOTA: Si el dispositivo funciona mal o no funciona de acuerdo con sus expectativas, consulte la sección Solución de Problemas del Manual del Propietario antes de llamar al servicio de atención al cliente.

Tabella dei contenuti

Precauzioni di sicurezza	04
---------------------------------------	-----------

Manuale del proprietario

Specifiche e caratteristiche dell'unità	09
1. Display dell'unità interna.....	09
2. Temperatura di funzionamento	10
3. Altre caratteristiche	11
4. Regolazione della direzione del flusso d'aria	12
Cura e manutenzione	13
Risoluzione dei problemi	15

Accessori	18
Riepilogo dell'installazione	19
Parti dell'unità.....	20
Installazione dell'unità interna	21
1. Selezionare il luogo di installazione	21
2. Installazione del corpo principale	22
3. Smontare l'unità interna per collegare i tubi	23
4. Indirizzo di rete impostato	24
5. Praticare un foro nel muro per le tubazioni connettive	24
6. Collegare il tubo di scarico	25
Installazione dell'unità esterna	26
1. Selezionare il luogo di installazione	25
2. Installare il giunto di drenaggio.....	27
3. Ancorare l'unità esterna.....	27
Collegamento delle tubazioni del refrigerante.....	29
A. Nota sulla lunghezza del tubo	29
B. Istruzioni di collegamento - Tubazioni del refrigerante.....	30
1. Tagliare il tubo	30
2. Rimuovere le bave	30
3. Estremità del tubo svasate	31
4. Collegare i tubi	31
Cablaggio	33
1. Cablaggio dell'unità esterna	34
2. Cablaggio dell'unità interna	35
3. Specifiche di potenza	36
Evacuazione aerea	37
1. Istruzioni per l'evacuazione	37
2. Nota sull'aggiunta di refrigerante	38
Esecuzione di test	39

Precauzioni di sicurezza

Leggere le precauzioni di sicurezza prima del funzionamento e dell'installazione

Un'installazione errata dovuta all'ignoranza delle istruzioni può causare gravi danni o lesioni.

La gravità dei danni potenziali o delle lesioni è classificata come **AVVERTENZA** o **ATTENZIONE**.



AVVERTENZA

Questo simbolo indica la possibilità di lesioni al personale o di perdita della vita.



ATTENZIONE

Questo simbolo indica la possibilità di danni alla proprietà o di gravi conseguenze.



AVVERTENZA

Questo apparecchio può essere usato da bambini a partire da 8 anni e da persone con ridotte capacità fisiche, sensoriali o mentali o con mancanza di esperienza e conoscenza, a condizione che siano stati supervisionati o istruiti sull'uso dell'apparecchio in modo sicuro e abbiano compreso i pericoli connessi. I bambini non devono giocare con l'apparecchio. La pulizia e la manutenzione dell'utente non devono essere effettuate da bambini senza supervisione (requisiti della norma EN).

Questo apparecchio non è destinato all'uso da parte di persone (compresi i bambini) con ridotte capacità fisiche, sensoriali o mentali, o con mancanza di esperienza e conoscenza, a meno che non siano state supervisionate o istruite sull'uso dell'apparecchio da una persona responsabile della loro sicurezza. I bambini devono essere sorvegliati per assicurarsi che non giochino con l'apparecchio.



AVVERTENZE PER L'USO DEL PRODOTTO

- Se si verifica una situazione anomala (come un odore di bruciato), spegnere immediatamente l'unità e scollegare l'alimentazione. Chiama il tuo rivenditore per istruzioni per evitare scosse elettriche, incendi o lesioni.
- **Non** inserire dita, aste o altri oggetti nell'ingresso o nell'uscita dell'aria. Ciò potrebbe causare lesioni, poiché il ventilatore potrebbe ruotare ad alta velocità.
- **Non** usare spray infiammabili come spray per capelli, lacca o vernice vicino all'unità. Ciò potrebbe causare un incendio o una combustione.
- **Non** far funzionare il condizionatore d'aria in luoghi vicini o intorno a gas combustibili. Il gas emesso può raccogliersi intorno all'unità e causare un'esplosione.
- **Non** far funzionare il condizionatore d'aria in una stanza umida come un bagno o una lavanderia. Un'eccessiva esposizione all'acqua può causare un corto circuito dei componenti elettrici.
- **Non** esporre il corpo direttamente all'aria fredda o calda per un periodo di tempo prolungato.
- **Non** permettere ai bambini di giocare con il condizionatore d'aria. I bambini devono essere sorvegliati intorno all'unità in ogni momento.
- Se il condizionatore d'aria è usato insieme a bruciatori o altri dispositivi di riscaldamento, ventilare accuratamente la stanza per evitare la carenza di ossigeno.
- In certi ambienti funzionali, come cucine, sale server, ecc., si raccomanda vivamente l'uso di unità di condizionamento dell'aria appositamente progettate.

AVVERTENZE PER LA PULIZIA E LA MANUTENZIONE

- Spegnerne il dispositivo e scollegare l'alimentazione prima della pulizia. L'inosservanza di questa disposizione può causare scosse elettriche.
- **Non** pulire il condizionatore d'aria con quantità eccessive di acqua.
- **Non** pulire il condizionatore d'aria con detergenti combustibili. I detergenti combustibili possono causare incendi o deformazioni.



ATTENZIONE

- Spegnerne il condizionatore d'aria e scollegare l'alimentazione se non lo si usa per un lungo periodo.
- Spegnerne e scollegare l'unità durante i temporali.
- Assicuratevi che la condensa dell'acqua possa defluire senza ostacoli dall'unità.
- **Non** azionare il condizionatore d'aria con le mani bagnate. Ciò potrebbe causare scosse elettriche.
- **Non** utilizzare il dispositivo per scopi diversi da quelli previsti.
- **Non** salire o mettere oggetti sopra l'unità esterna.
- **Non** lasciare il condizionatore d'aria in funzione per lunghi periodi di tempo con porte o finestre aperte, o se l'umidità è molto alta.



AVVERTENZE ELETTRICHE

- Utilizzare solo il cavo di alimentazione specificato. Se il cavo di alimentazione è danneggiato, deve essere sostituito dal produttore, dal suo agente di servizio o da persone qualificate in modo simile per evitare un pericolo.
- Mantenere pulita la spina di alimentazione. Rimuovere qualsiasi polvere o sporcizia che si accumula sopra o intorno alla spina. Le spine sporche possono causare incendi o scosse elettriche.
- **Non** tirare il cavo di alimentazione per scollegare l'unità. Tenere la spina saldamente e tirarla dalla presa. Tirare direttamente il cavo può danneggiarlo, il che può portare a incendi o scosse elettriche.
- **Non** modificare la lunghezza del cavo di alimentazione o usare una prolunga per alimentare l'unità.
- **Non** condividere la presa elettrica con altri apparecchi. Un'alimentazione impropria o insufficiente può causare incendi o scosse elettriche.
- Il prodotto deve essere correttamente messo a terra al momento dell'installazione, o si possono verificare scosse elettriche.
- Per tutti i lavori elettrici, seguire tutti gli standard di cablaggio locali e nazionali, i regolamenti e il manuale di installazione. Collegare i cavi saldamente e bloccarli in modo sicuro per evitare che forze esterne danneggino il terminale. Collegamenti elettrici impropri possono surriscaldarsi e causare incendi, e possono anche causare shock. Tutti i collegamenti elettrici devono essere effettuati secondo lo schema di collegamento elettrico situato sui pannelli delle unità interne ed esterne.
- Tutto il cablaggio deve essere disposto correttamente per garantire che il coperchio della scheda di controllo possa chiudersi correttamente. Se il coperchio della scheda di controllo non è chiuso correttamente, può portare alla corrosione e causare il riscaldamento dei punti di connessione sul terminale, prendere fuoco o causare scosse elettriche.
- Se si collega l'alimentazione al cablaggio fisso, un dispositivo di disconnessione onnipolare che abbia almeno 3 mm di spazio libero in tutti i poli, e che abbia una corrente di dispersione che può superare i 10 mA, il dispositivo di corrente residua (RCD) che abbia una corrente nominale di funzionamento residua non superiore a 30 mA, e la disconnessione deve essere incorporata nel cablaggio fisso in conformità con le norme di cablaggio.

PRENDERE NOTA DELLE SPECIFICHE DEI FUSIBILI

La scheda del circuito del condizionatore d'aria (PCB) è progettata con un fusibile per fornire una protezione da sovracorrente. Le specifiche del fusibile sono stampate sulla scheda di circuito, come ad esempio:

T3.15A/250VAC, T5A/250VAC, T10A/250VAC, T20A/250VAC, T30A/250VAC, ecc.

NOTA: Per le unità con refrigerante R32 o R290, può essere usato solo il fusibile in ceramica a prova di esplosione.

**AVVERTENZE PER L'INSTALLAZIONE DEL PRODOTTO**

1. L'installazione deve essere eseguita da un rivenditore autorizzato o da uno specialista. Un'installazione difettosa può causare perdite d'acqua, scosse elettriche o incendi.
2. L'installazione deve essere eseguita secondo le istruzioni di installazione. Un'installazione impropria può causare perdite d'acqua, scosse elettriche o incendi.
(In Nord America, l'installazione deve essere eseguita in conformità con il requisito di NEC e CEC solo da personale autorizzato).
3. Contattare un tecnico autorizzato per la riparazione o la manutenzione di questa unità. Questo apparecchio deve essere installato in conformità alle norme nazionali di cablaggio.
4. Utilizzare solo gli accessori inclusi, le parti e le parti specificate per l'installazione. L'uso di parti non standard può causare perdite d'acqua, scosse elettriche, incendi e può causare il guasto dell'unità.
5. Installare l'unità in una posizione solida che possa sostenere il peso dell'unità. Se la posizione scelta non può sostenere il peso dell'unità, o l'installazione non è fatta correttamente, l'unità può cadere e causare gravi lesioni e danni.
6. Installare le tubature di drenaggio secondo le istruzioni di questo manuale. Un drenaggio improprio può causare danni alla casa e alla proprietà.
7. Per le unità che hanno un riscaldatore elettrico ausiliario, **non** installare l'unità entro 1 metro (3 piedi) da qualsiasi materiale combustibile.
8. **Non** installare l'unità in un luogo che può essere esposto a perdite di gas combustibile. Se il gas combustibile si accumula intorno all'unità, può causare un incendio.
9. Non accendere la corrente fino a quando tutto il lavoro è stato completato.
10. Quando si sposta o si riposiziona il condizionatore d'aria, consultare tecnici esperti per lo scollegamento e la reinstallazione dell'unità.
11. Come installare l'apparecchio al suo supporto, leggere le informazioni per i dettagli nelle sezioni "installazione dell'unità interna" e "installazione dell'unità esterna".

Nota sui gas fluorurati (non applicabile all'unità che utilizza il refrigerante R290)

1. Questa unità di climatizzazione contiene gas fluorurati ad effetto serra. Per informazioni specifiche sul tipo di gas e sulla quantità, si prega di consultare l'etichetta pertinente sull'unità stessa o il "Manuale del proprietario – Scheda prodotto" nell'imballaggio dell'unità esterna. (Solo prodotti dell'Unione Europea).
2. L'installazione, il servizio, la manutenzione e la riparazione di questa unità devono essere eseguiti da un tecnico certificato.
3. La disinstallazione e il riciclaggio del prodotto devono essere eseguiti da un tecnico certificato.
4. Per le apparecchiature che contengono gas fluorurati ad effetto serra in quantità pari o superiori a 5 tonnellate di CO₂ equivalente, ma inferiori a 50 tonnellate di CO₂ equivalente, se il sistema ha un sistema di rilevamento delle perdite installato, deve essere controllato almeno ogni 24 mesi.
5. Quando l'unità viene controllata per le perdite, si raccomanda vivamente di registrare tutti i controlli.

**AVVERTENZA per l'uso del refrigerante R32/R290**

- Quando vengono utilizzati refrigeranti infiammabili, l'apparecchio deve essere conservato in un'area ben ventilata dove la dimensione della stanza corrisponde all'area della stanza specificata per il funzionamento.

Per i modelli con refrigerante R32:

L'apparecchio deve essere installato, messo in funzione e conservato in un locale con una superficie superiore a $X \text{ m}^2$. L'apparecchio non deve essere installato in uno spazio non ventilato, se tale spazio è inferiore a $X \text{ m}^2$

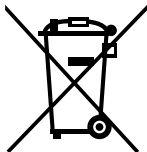
(Si prega di vedere il seguente modulo).

Modello (Btu/h)	Area minima della stanza (m^2)
≤ 18000	18

- I connettori meccanici riutilizzabili e i giunti svasati non sono ammessi all'interno. (Requisiti standard **EN**).
- I connettori meccanici utilizzati all'interno devono avere un tasso di non più di 3g/anno al 25% della pressione massima consentita. Quando i connettori meccanici sono riutilizzati all'interno, le parti di tenuta devono essere rinnovate. Quando i giunti svasati sono riutilizzati all'interno, la parte svasata deve essere rifatta. (Requisiti standard **UL**)
- Quando i connettori meccanici vengono riutilizzati all'interno, le parti di tenuta devono essere rinnovate. Quando i giunti svasati vengono riutilizzati all'interno, la parte svasata deve essere rifatta. (Requisiti standard **IEC**)
- I connettori meccanici utilizzati all'interno devono essere conformi alla norma ISO 14903.

Linee guida europee per lo smaltimento

Questo marchio riportato sul prodotto o sulla sua documentazione indica che i rifiuti di apparecchiature elettriche ed elettroniche non devono essere mescolati con i rifiuti domestici generici.



Corretto smaltimento di questo prodotto (Rifiuti di apparecchiature elettriche ed elettroniche)

Questo apparecchio contiene refrigerante e altri materiali potenzialmente pericolosi. Quando si smaltisce questo apparecchio, la legge richiede una raccolta e un trattamento speciali. **Non** smaltire questo prodotto come rifiuto domestico o rifiuti urbani non differenziati.

Quando si smaltisce questo apparecchio, si hanno le seguenti opzioni:

- Smaltire l'apparecchio in un centro di raccolta di rifiuti elettronici comunale designato.
- Quando si acquista un nuovo apparecchio, il rivenditore ritira gratuitamente il vecchio apparecchio.
- Il produttore ritirerà gratuitamente il vecchio apparecchio.
- Vendere l'apparecchio a commercianti di rottami certificati.

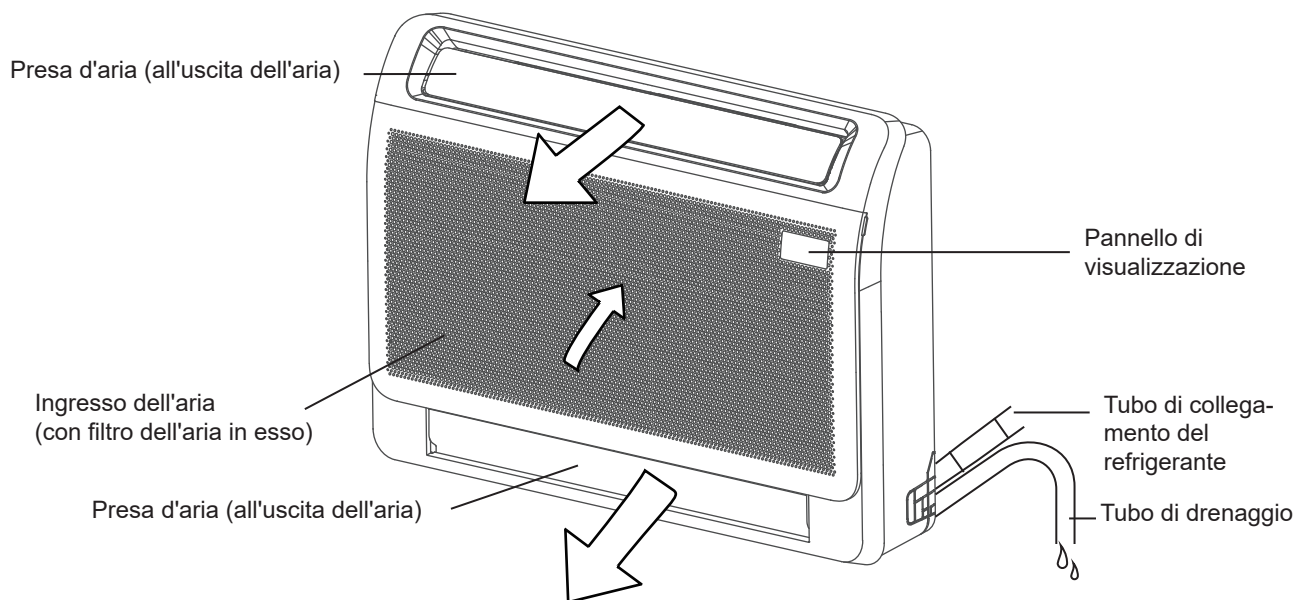
Avviso speciale

Lo smaltimento di questo apparecchio nella foresta o in altri ambienti naturali mette in pericolo la vostra salute ed è dannoso per l'ambiente. Le sostanze pericolose possono disperdersi nelle acque sotterranee ed entrare nella catena alimentare.

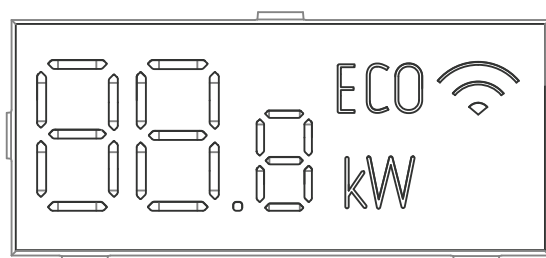
Specifiche e caratteristiche dell'unità

Display dell'unità interna

NOTA: Questo pannello di visualizzazione sull'unità interna può essere usato per far funzionare l'unità nel caso in cui il telecomando sia stato smarrito o abbia le batterie scariche.



Pannello di visualizzazione



- **88.8** Visualizza la temperatura e i codici di errore:
- **DF** " durante lo sbrinamento (per le unità di raffreddamento e riscaldamento modello B)
- **ON** " per 3 secondi quando:
 - Il timer è impostato su ON
 - SWING o SILENCE è acceso
- **OF** " per 3 secondi quando:
 - Il timer è impostato su OFF
 - SWING o SILENCE è spento
- **CL** " quando l'unità è autopulente
- **FP** " quando la funzione di riscaldamento 8 °C è attivata
- **ECO** ECO Quando la funzione ECO (alcune unità) è attivata.
- **Wireless** quando la funzione di controllo wireless è attivata (alcune unità)

Temperatura d'esercizio

Quando il vostro condizionatore d'aria viene utilizzato al di fuori dei seguenti intervalli di temperatura, alcune funzioni di protezione di sicurezza possono attivarsi e causare la disabilitazione dell'unità.

Tipo split inverter

	Modo COOL	Modalità HEAT (calore)	Modo asciutto
Temperatura ambiente	16°C - 32°C (60°F - 90°F)	0°C - 30°C (32°F - 86°F)	10°C - 32°C (50°F - 90°F)
All'aperto Temperatura	0°C - 50°C (32°F - 122°F)	-15°C - 24°C (5°F - 75°F)	0°C - 50°C (32°F - 122°F)
	-15°C - 50°C (5°F - 122°F) (Per i modelli con sistemi di raffreddamento a bassa temperatura).		

Tipo a velocità fissa

	Modo COOL	Modalità HEAT (calore)	Modo asciutto
Camera Temperatura	16°C-32°C (60°F-90°F)	0°C-30°C (32°F-86°F)	10°C-32°C (50°F-90°F)
All'aperto Temperatura	18°C-43°C (64°F-109°F)	-7°C-24°C (19°F-75°F)	11°C-43°C (52°F-109°F)
	-7°C-43°C (19°F-109°F) (Per i modelli con sistemi di raffreddamento a bassa temperatura)		18°C-43°C (64°F-109°F)
	18°C-52°C (64°F-126°F) (Per i modelli tropicali speciali)		18°C-52°C (64°F-126°F) (Per modelli tropicali speciali)

NOTA: Umidità relativa della stanza inferiore all'80%. Se il condizionatore d'aria funziona al di sopra di questa cifra, la superficie del condizionatore d'aria potrebbe attirare la condensa. Impostare la feritoia del flusso d'aria verticale all'angolo massimo (verticalmente rispetto al pavimento) e impostare la modalità di ventilazione ALTA.

Per ottimizzare ulteriormente le prestazioni della vostra unità, fate come segue:

- Tenere chiuse porte e finestre.
- Limitare il consumo di energia usando le funzioni TIMER ON e TIMER OFF.
- Non bloccare le entrate e le uscite dell'aria.
- Ispezionare e pulire regolarmente i filtri dell'aria.

Impostazione predefinita Quando il condizionatore d'aria si riavvia dopo un'interruzione di corrente, ritorna alle impostazioni di fabbrica (modalità AUTO, ventilatore AUTO, 24°C (76°F)). Questo può causare incongruenze sul telecomando e sul pannello dell'unità. Usare il telecomando per aggiornare lo stato.

Riavvio automatico

In caso di mancanza di corrente, il sistema si ferma immediatamente. Quando la corrente ritorna, la spia di funzionamento sull'unità interna lampeggia. Per riavviare l'unità, premere il tasto **ON/OFF** sul telecomando. Se il sistema ha una funzione di riavvio automatico, l'unità si riavvierà utilizzando le stesse impostazioni.

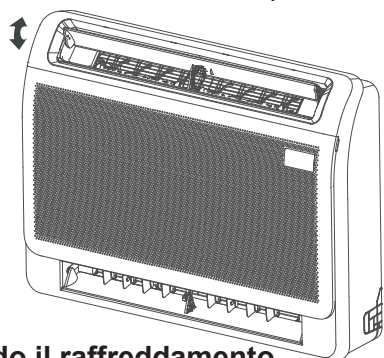
Funzione di memoria dell'angolo della feritoia

Alcuni modelli sono progettati con una funzione di memoria dell'angolo delle prese d'aria. Quando l'unità si riavvia dopo un'interruzione di corrente, l'angolo delle prese d'aria orizzontali tornerà automaticamente alla posizione precedente. L'angolo della presa d'aria orizzontale non dovrebbe essere impostato troppo piccolo, perché la condensa potrebbe formarsi e gocciolare nella macchina. Per resettare la presa d'aria, premere il pulsante manuale, che resetterà le impostazioni della presa d'aria orizzontale.

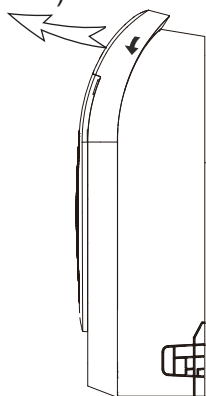
Sistema di rilevamento delle perdite di refrigerante

L'unità interna visualizzerà automaticamente "EC" o "EL0C" o i LED lampeggianti (a seconda del modello) quando rileva una perdita di refrigerante.

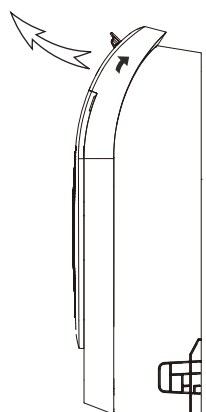
- **Oscillazione manuale:** Premere la direzione dell'aria per fissare la presa d'aria all'angolo desiderato. La presa d'aria oscilla (verso l'alto o verso il basso) con un angolo diverso ad ogni pressione del pulsante. La direzione dell'aria può essere cambiata regolando manualmente la presa d'aria.



- **Quando il raffreddamento**
Regolare la presa d'aria verso il basso (orizzontalmente).




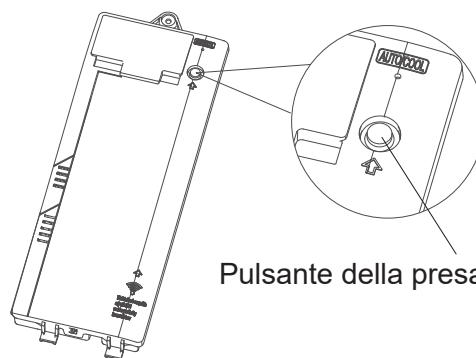
- **Quando il riscaldamento**
Regolare la presa d'aria verticalmente.



- **Regolazione dell'interruttore della presa d'aria inferiore**

Nella condizione di rispettare la temperatura ambiente, la presa d'aria inferiore può essere aperta quando l'unità è accesa.

Per selezionare se la presa d'aria inferiore è accesa o spenta, utilizzare il pulsante sulla scatola di controllo elettrico. Entro 10 minuti dall'accensione, premere  per 5 secondi per entrare in modalità standby. Premerlo per aprire o chiudere la presa d'aria inferiore.



Pulsante della presa d'aria

Scatola di controllo elettrico

NOTA: Durante il processo di impostazione, il pannello del display visualizza lo stato dell'interruttore della presa d'aria inferiore.

su - aperto
di - chiuso



ATTENZIONE

Non cercare di regolare la presa d'aria orizzontale a mano. Questo potrebbe danneggiare il meccanismo e provocare la formazione di condensa sulle uscite dell'aria.

Cura e manutenzione

Pulizia dell'unità interna

⚠ PRIMA DELLA PULIZIA O DELLA MANUTENZIONE

SPEGNERE SEMPRE IL SISTEMA DEL CONDIZIONATORE D'ARIA E SCOLLEGARE L'ALIMENTAZIONE PRIMA DELLA PULIZIA O DELLA MANUTENZIONE.

⚠ ATTENZIONE

Usare solo un panno morbido e asciutto per pulire l'unità.

Se l'unità è particolarmente sporca, potete usare un panno imbevuto di acqua calda per pulirla.

- **Non** usare prodotti chimici o panni trattati chimicamente per pulire l'unità
- **Non** usare benzene, diluente per vernici, polvere lucidante o altri solventi per pulire l'unità. Possono causare la rottura o la deformazione della superficie di plastica.
- **Non** usare acqua più calda di 40°C (104°F) per pulire il pannello frontale. Questo può causare la deformazione o lo scolorimento del pannello.

Pulizia del filtro dell'aria

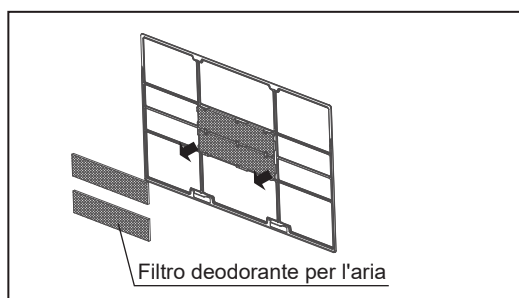
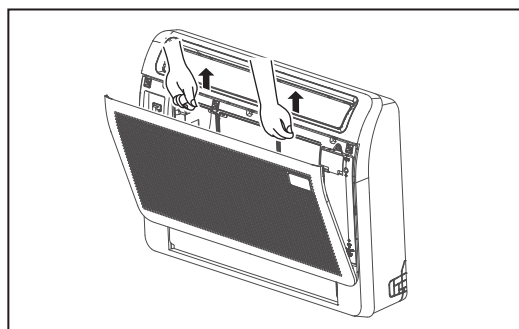
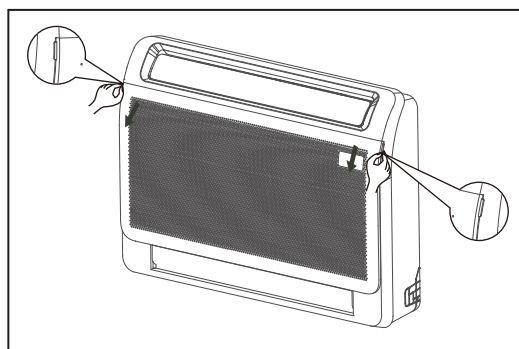
Un condizionatore d'aria intasato può ridurre l'efficienza di raffreddamento della vostra unità, e può anche essere dannoso per la vostra salute. Assicuratevi di pulire il filtro una volta ogni due settimane.

⚠ ATTENZIONE: NON RIMUOVERE O PULIRE IL FILTRO DA SOLI

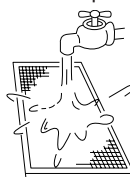
La rimozione e la pulizia del filtro possono essere pericolose. La rimozione e la manutenzione devono essere eseguite da un tecnico certificato.

1. Tirare le maniglie destra e sinistra del pannello anteriore, tirare il pannello verso l'esterno e aprire il pannello.
2. Rimuovere il filtro dell'aria.
Premere leggermente verso il basso gli artigli sui lati destro e sinistro del filtro dell'aria, poi tirare verso l'alto.
3. Tenere le linguette del telaio e rimuovere i 4 artigli. (Il filtro a funzione speciale può essere lavato con acqua una volta ogni 6 mesi. Si raccomanda di sostituirlo una volta ogni 3 anni).

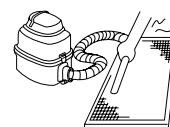
4. Pulire il filtro dell'aria aspirando la superficie o lavandolo in acqua calda con un detergente delicato.
5. Sciacquare il filtro con acqua pulita e lasciarlo asciugare all'aria. **NON** lasciare che il filtro si asciughi alla luce diretta del sole.
6. Reinstallare il filtro.



Se si usa l'acqua, il lato d'ingresso deve essere rivolto verso il basso e lontano dal flusso d'acqua.



Se si usa un'aspirapolvere, il lato d'ingresso deve essere rivolto verso l'aspirapolvere.



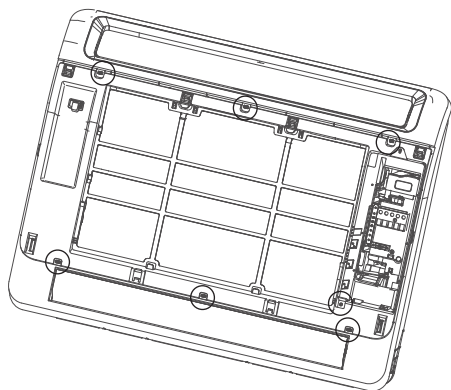


ATTENZIONE

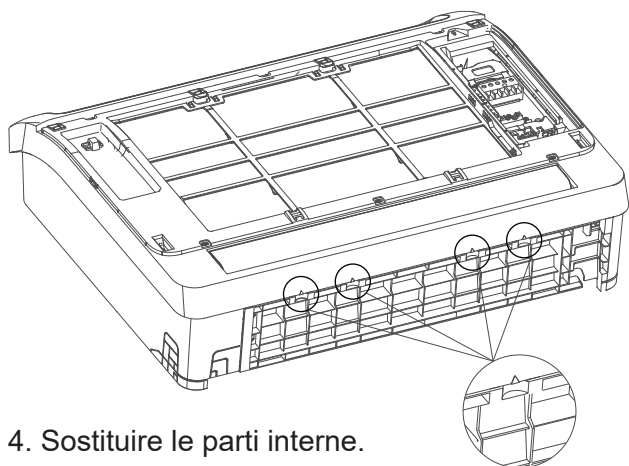
- Prima di cambiare il filtro o di pulirlo, spegnere l'unità e scollegare l'alimentazione.
- Quando si rimuove il filtro, non toccare le parti metalliche dell'unità. I bordi metallici affilati possono tagliarvi.
- Non usare acqua per pulire l'interno dell'unità interna. Questo può distruggere l'isolamento e causare scosse elettriche.
- Non esporre il filtro alla luce diretta del sole durante l'asciugatura. Questo può restringere il filtro.
- Qualsiasi manutenzione e pulizia dell'unità esterna deve essere eseguita da un rivenditore autorizzato o da un fornitore di servizi autorizzato.
- Qualsiasi riparazione dell'unità deve essere eseguita da un rivenditore autorizzato o da un fornitore di servizi autorizzato.

Sostituire le parti interne

1. Tirare le maniglie destra e sinistra del pannello anteriore, tirare il pannello verso l'esterno e aprire il pannello.
2. Rimuovere le 7 viti del telaio frontale.



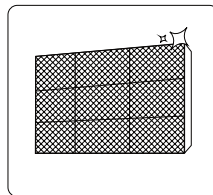
3. Allacciate lo scatto indicato dalla freccia e rimuovete la cornice frontale.



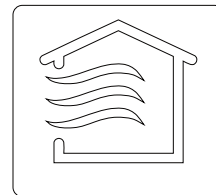
4. Sostituire le parti interne.
5. Installare il telaio frontale e le parti del pannello.

Manutenzione - Lunghi periodi di non utilizzo

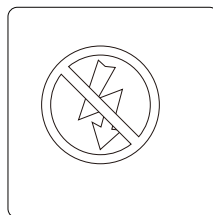
Se pensate di non usare il vostro condizionatore d'aria per un lungo periodo di tempo, fate come segue:



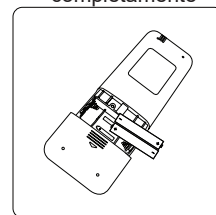
Pulire tutti i filtri



Accendere la funzione FAN finché l'unità non si asciuga completamente



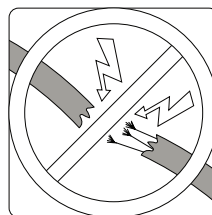
Spegnere l'unità e scollegare l'alimentazione



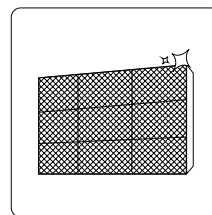
Rimuovere le batterie dal telecomando

Manutenzione - Ispezione pre-stagione

Dopo lunghi periodi di non uso, o prima di periodi di uso frequente, fare quanto segue:



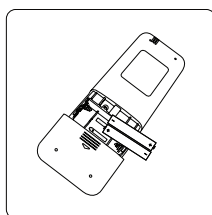
Controllare se i fili sono danneggiati



Pulire tutti i filtri



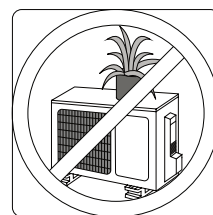
Controllare le perdite



Sostituire le batterie



Assicurarsi che nulla stia bloccando tutte le entrate e le uscite dell'aria



NOTA: Non tendere o appendere oggetti all'uscita dell'aria.

Non regolare il deflettore automatico dell'aria con le mani o allungare la mano nel condotto dell'aria.

Non coprire l'ingresso e l'uscita dell'aria dell'unità con oggetti.

Risoluzione dei problemi



PRECAUZIONI DI SICUREZZA

Se si verifica una delle seguenti condizioni, spegnere immediatamente l'unità!

- Il cavo di alimentazione è danneggiato o anormalmente caldo
- Si sente un odore di bruciato
- L'unità emette suoni forti o anormali
- Un fusibile salta o l'interruttore scatta spesso
- L'acqua o altri oggetti cadono dentro o fuori dall'unità

NON TENTARE DI RIPARARLI DA SOLI! CONTATTARE IMMEDIATAMENTE UN FORNITORE DI SERVIZI AUTORIZZATO!

Problemi comuni

I seguenti problemi non sono un malfunzionamento e nella maggior parte delle situazioni non richiedono riparazioni.

Emissione	Possibili cause
L'unità non si accende quando si preme il pulsante ON/OFF	L'unità ha una funzione di protezione di 3 minuti che previene il sovraccarico dell'unità. L'unità non può essere riavviata entro tre minuti dallo spegnimento.
	Modelli di raffreddamento e riscaldamento: Se la spia di funzionamento e gli indicatori PRE-DEF (preriscaldamento/sbrinamento) sono accesi, o se la spia di funzionamento è accesa e lo schermo LCD visualizza "dF", la temperatura esterna è troppo fredda e il vento anti-freddo dell'unità viene attivato per sbrinare l'unità.
L'unità passa dal modo COOL al modo FAN	L'unità può cambiare la sua impostazione per evitare che si formi la brina sull'unità. Una volta che la temperatura aumenta, l'unità ricomincerà a funzionare nella modalità precedentemente selezionata.
	La temperatura impostata è stata raggiunta, a questo punto l'unità spegne il compressore. L'unità continuerà a funzionare quando la temperatura oscilla di nuovo.
L'unità interna emette nebbia bianca	Nelle regioni umide, una grande differenza di temperatura tra l'aria della stanza e l'aria condizionata può causare nebbia bianca.
Sia l'unità interna che quella esterna emettono nebbia bianca	Quando l'unità si riavvia in modalità HEAT dopo lo sbrinamento, potrebbe essere emessa nebbia bianca a causa dell'umidità generata dal processo di sbrinamento.
L'unità interna fa dei rumori	Si sente un cigolio quando il sistema è spento o in modalità COOL. Il rumore si sente anche quando la pompa di scarico (opzionale) è in funzione.
	Un suono stridente può verificarsi dopo aver fatto funzionare l'unità in modalità HEAT a causa dell'espansione e della contrazione delle parti in plastica dell'unità.
Sia l'unità interna che l'unità esterna fanno dei rumori	Basso suono sibilante durante il funzionamento: Questo è normale ed è causato dal gas refrigerante che scorre attraverso le unità interne ed esterne.
	Un basso sibilo quando il sistema si avvia, ha appena smesso di funzionare o sta sbrinando: Questo rumore è normale ed è causato dal gas refrigerante che si ferma o cambia direzione.
	Rumore di cigolio: La normale espansione e contrazione delle parti in plastica e in metallo causata dai cambiamenti di temperatura durante il funzionamento può causare rumori di cigolio.

Emissione	Possibili cause
L'unità esterna fa dei rumori	L'unità emetterà suoni diversi in base alla sua modalità operativa corrente.
La polvere viene emessa dall'unità interna o esterna	L'unità può accumulare polvere durante lunghi periodi di non utilizzo, che sarà emessa quando l'unità viene accesa. Questo può essere mitigato coprendo l'unità durante i lunghi periodi di inattività.
L'unità emette un cattivo odore	L'unità può assorbire odori dall'ambiente (come mobili, cucina, sigarette, ecc.) che saranno emessi durante il funzionamento.
	I filtri dell'unità sono ammuffiti e devono essere puliti.
Il ventilatore dell'unità esterna non funziona	Durante il funzionamento, la velocità del ventilatore è controllata per ottimizzare il funzionamento del prodotto.

NOTA: Se il problema persiste, contattare un rivenditore locale o il centro di assistenza clienti più vicino. Fornite loro una descrizione dettagliata del malfunzionamento dell'unità e il numero del vostro modello.

Risoluzione dei problemi

Quando si verificano dei problemi, si prega di controllare i seguenti punti prima di contattare una società di riparazioni.


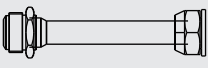
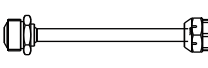




Problema	Possibili cause	Soluzione
Scarse prestazioni di raffreddamento	L'impostazione della temperatura può essere più alta della temperatura ambiente	Abbassare l'impostazione della temperatura
	Lo scambiatore di calore dell'unità interna o esterna è sporco	Pulire lo scambiatore di calore interessato
	Il filtro dell'aria è sporco	Rimuovere il filtro e pulirlo secondo le istruzioni
	L'ingresso o l'uscita dell'aria di una delle due unità è bloccata	Spegnere l'unità, rimuovere l'ostruzione e riaccenderla
	Porte e finestre sono aperte	Assicurarsi che tutte le porte e le finestre siano chiuse durante il funzionamento dell'unità
	Il calore eccessivo è generato dalla luce del sole	Chiudere le finestre e le tende durante i periodi di calore elevato o di sole intenso
	Troppe fonti di calore nella stanza (persone, computer, elettronica, ecc.)	Ridurre la quantità di fonti di calore
	Refrigerante basso a causa di una perdita o di un uso prolungato	Controllare le perdite, risigillare se necessario e rabboccare il refrigerante


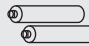
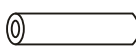
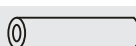
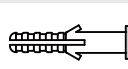




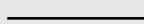

Problema	Possibili cause	Soluzione
L'unità non funziona	Mancanza di corrente	Aspettare che la corrente venga ripristinata
	L'alimentazione è spenta	Accendere la corrente
	Il fusibile è bruciato	Sostituire il fusibile
	Le batterie del telecomando sono scariche	Sostituire le batterie
	La protezione di 3 minuti dell'unità è stata attivata	Attendere tre minuti dopo aver riavviato l'unità
	Il timer è attivato	Spegnere il timer
L'unità si avvia e si ferma frequentemente	C'è troppo o troppo poco refrigerante nel sistema	Controllare le perdite e ricaricare il sistema con il refrigerante.
	Gas incompressibile o umidità sono entrati nel sistema.	Evacuare e ricaricare il sistema con il refrigerante
	Il circuito del sistema è bloccato	Determinare quale circuito è bloccato e sostituire l'apparecchiatura malfunzionante
	Il compressore è rotto	Sostituire il compressore
	La tensione è troppo alta o troppo bassa	Installare un manostato per regolare la tensione
Scarse prestazioni di riscaldamento	La temperatura esterna è estremamente bassa	Utilizzare un dispositivo di riscaldamento ausiliario
	L'aria fredda entra da porte e finestre	Assicurarsi che tutte le porte e le finestre siano chiuse durante l'uso
	Refrigerante basso a causa di una perdita o di un uso prolungato	Controllare le perdite, risigillare se necessario e rabboccare il refrigerante
Le spie continuano a lampeggiare	L'unità può smettere di funzionare o continuare a funzionare in modo sicuro. Se le spie continuano a lampeggiare o appaiono codici di errore, aspettate circa 10 minuti. Il problema potrebbe risolversi da solo.	
Il codice di errore appare e comincia con le lettere come il seguente nel display della finestra dell'unità interna: • E(x), P(x), F(x) • EH(xx), EL(xx), EC(xx) • PH(xx), PL(xx), PC(xx)	In caso contrario, scollegate l'alimentazione, poi ricollegatela. Accendere l'unità. Se il problema persiste, scollegare l'alimentazione e contattare il centro di assistenza clienti più vicino.	

NOTA: Se il problema persiste dopo aver eseguito i controlli e la diagnostica di cui sopra, spegnere immediatamente l'unità e contattare un centro di assistenza autorizzato.

Accessori

Il climatizzatore viene fornito con i seguenti accessori. Per installare il condizionatore d'aria, utilizzare tutte le parti e gli accessori di installazione. Un'installazione impropria può provocare perdite d'acqua, scosse elettriche e incendi, o causare il guasto dell'apparecchiatura. Gli articoli non inclusi nel condizionatore d'aria devono essere acquistati separatamente.

Nome degli accessori	Qtà (pz)	Forma
Manuale	2~4	
Connettore di trasferimento (ΦΦ12.7-ΦΦ15.9) (alcuni modelli)	1	
Connettore di trasferimento (ΦΦ6.35-ΦΦ9.52) (alcuni modelli)	1	
Connettore di trasferimento (ΦΦ9.52-ΦΦ12.7) (alcuni modelli)	1	
Anello magnetico (avvolgere i fili elettrici S1 & S2 (P & Q & E) intorno all'anello magnetico due volte) (alcuni modelli)	1	 S1&S2(P&Q&E)
Anello magnetico (Agganciarlo sul cavo di collegamento tra l'unità interna e l'unità esterna dopo l'installazione). (alcuni modelli)	1	
Telecomando a filo (alcuni modelli)	1	

Nome degli accessori	Qtà (pz)	Forma
Telecomando (alcuni modelli)	1	
Batteria (alcuni modelli)	2	
Guaina insonorizzante / isolante (alcuni modelli)	2	
Tubo di isolamento termico	1	
Ancora	6 (a seconda dei modelli)	
Vite di fissaggio della piastra di montaggio	6 (a seconda dei modelli)	
Giunto di scarico (alcuni modelli)	1	
Anello di tenuta (alcuni modelli)	1	
Dado di rame	2	
Filo rosso collegato in corto (alcuni modelli)	1	
Filtro deodorante per l'aria (alcuni modelli)	2	

Accessori opzionali

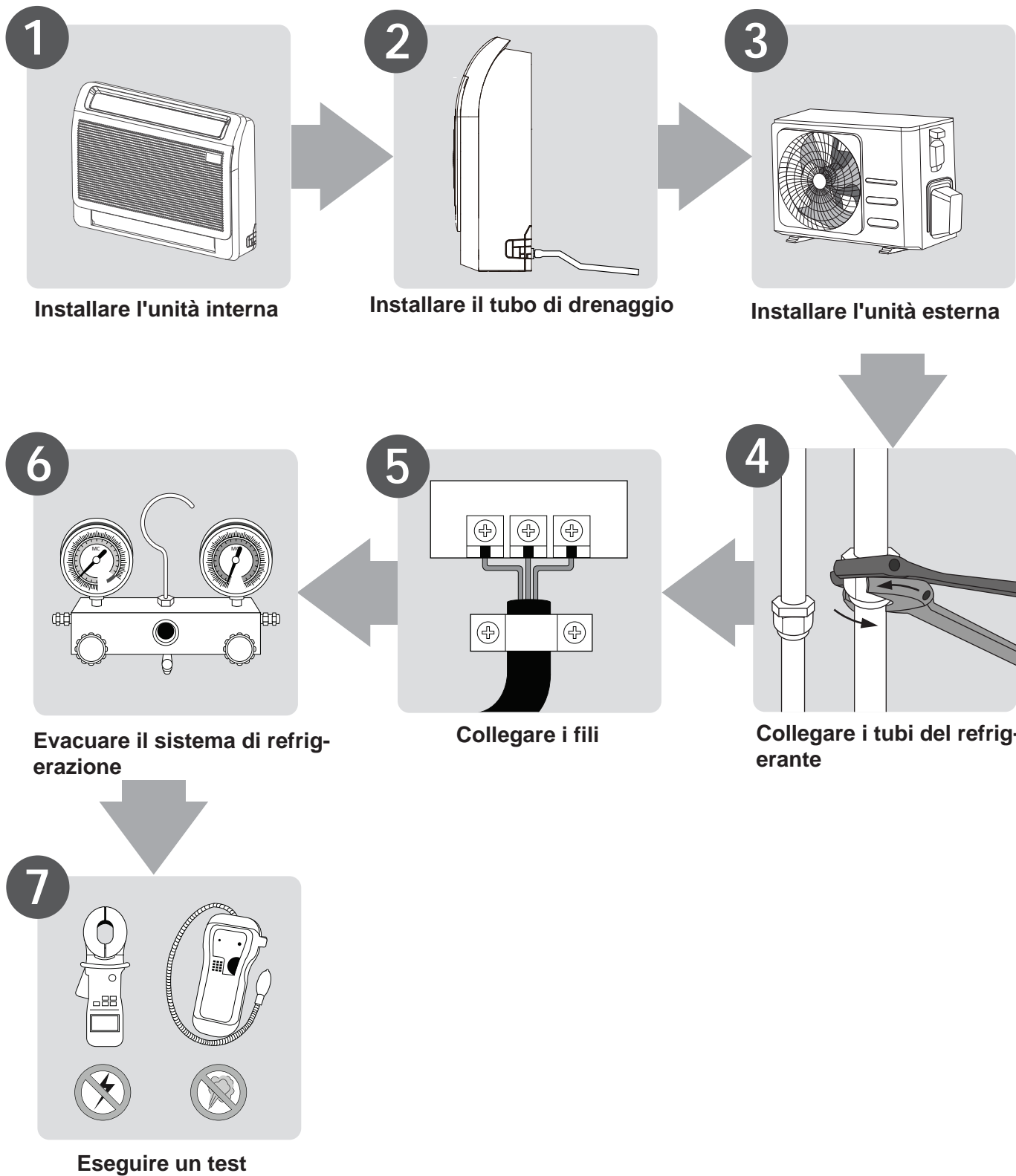
- Ci sono due tipi di telecomandi: con e senza fili.

Selezionare un controller remoto in base alle preferenze e ai requisiti del cliente e installarlo in un luogo appropriato.

Fate riferimento ai cataloghi e alla letteratura tecnica per una guida alla scelta di un controller remoto adatto.

Nome	Forma	Qtà (Pz)
Assemblaggio del tubo di collegamento	Lato liquido	Φ6.35(1/4 pollici)
		Φ9.52(3/8 pollici)
		Φ12.7(1/2 pollici)
	Lato gas	Φ9.52(3/8 pollici)
		Φ12.7(1/2 pollici)
		Φ16(5/8 pollici)
		Φ19(3/4 pollici)
	Φ22(7/8 pollici)	
		Le parti devono essere acquistate separatamente. Consultate il rivenditore per conoscere le dimensioni corrette del tubo dell'unità che avete acquistato.

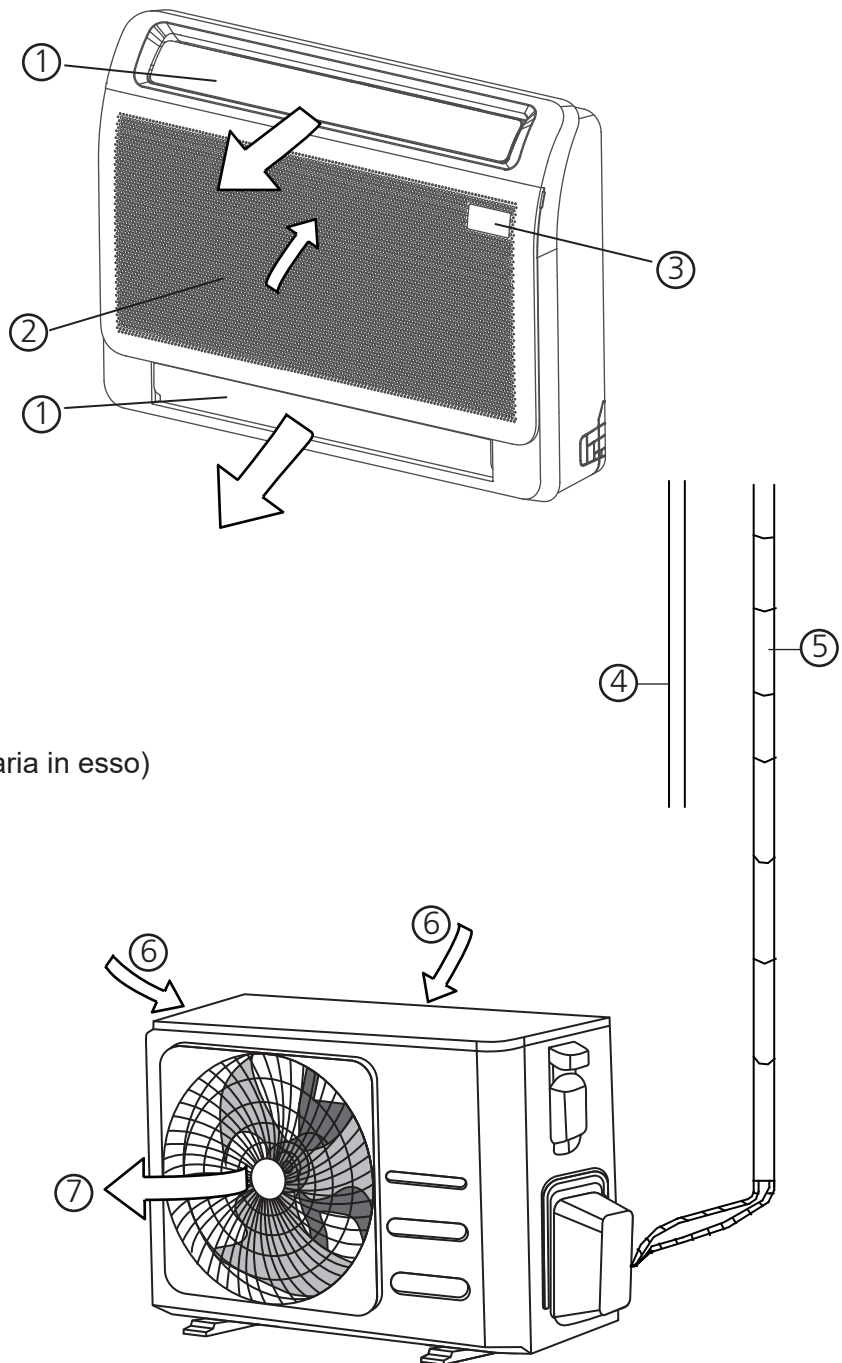
Riepilogo dell'installazione



Riepilogo dell'installazione

Parti dell'unità

NOTA: L'installazione deve essere eseguita in conformità con i requisiti degli standard locali e nazionali. L'installazione può essere leggermente diversa in aree diverse.



- ① Presa d'aria (all'uscita dell'aria)
- ② Ingresso dell'aria (con filtro dell'aria in esso)
- ③ Pannello di visualizzazione
- ④ Tubo di scarico

- ⑤ Tubo di collegamento
- ⑥ Ingresso dell'aria
- ⑦ Uscita dell'aria

NOTA SULLE ILLUSTRAZIONI

- Le tubazioni possono essere collegate dai lati sinistro, destro, posteriore e inferiore dell'unità. Si prega di selezionare il metodo di tubazione secondo la domanda reale.
- Le illustrazioni in questo manuale sono a scopo esplicativo. La forma reale della vostra unità interna potrebbe essere leggermente diversa. La forma reale prevarrà.

Installazione dell'unità interna

Istruzioni per l'installazione - Unità interna

NOTA: L'installazione del pannello deve essere eseguita dopo che le tubazioni e il cablaggio sono stati completati.

Passo 1: Selezionare il luogo di installazione

Prima di installare l'unità interna, è necessario scegliere una posizione appropriata. Le seguenti sono norme che vi aiuteranno a scegliere una posizione appropriata per l'unità.

Le posizioni di installazione corrette soddisfano i seguenti standard:

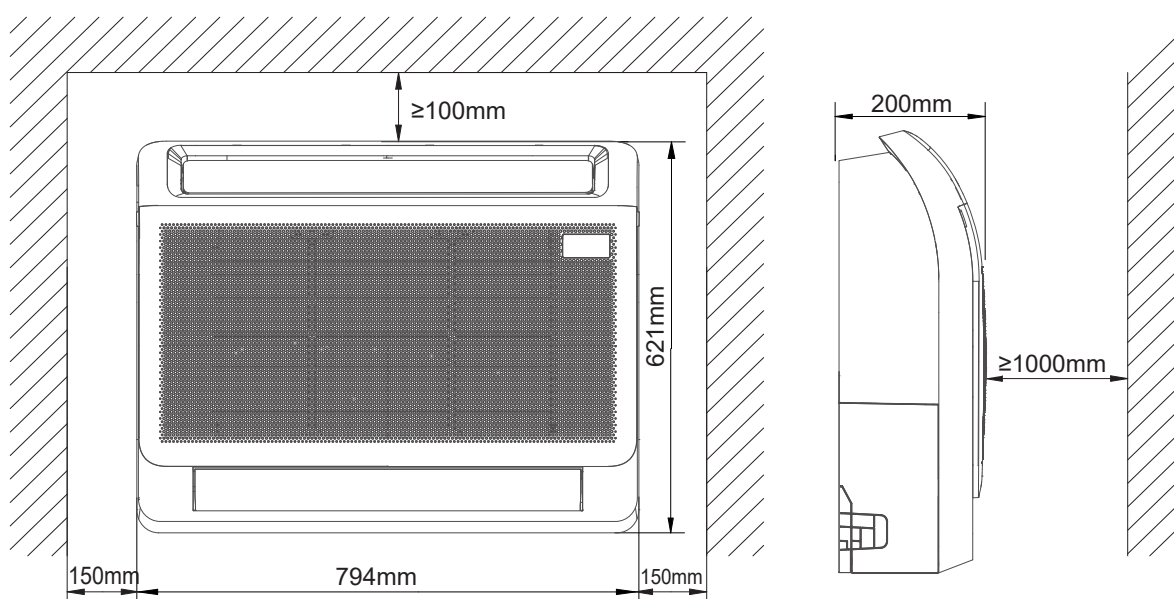
- ☑ Esiste uno spazio sufficiente per l'installazione e la manutenzione.
- ☑ Esiste uno spazio sufficiente per collegare il tubo e il tubo di scarico.
- ☑ Il soffitto è orizzontale e la sua struttura può sostenere il peso dell'unità interna.
- ☑ L'ingresso e l'uscita dell'aria non sono bloccati.
- ☑ Il flusso d'aria può riempire tutta la stanza.
- ☑ Non ci sono radiazioni dirette dai riscaldatori.

NON installare l'unità nei seguenti luoghi:

- ⊘ Aree con perforazioni petrolifere o fracking
- ⊘ Zone costiere con un alto contenuto di sale nell'aria
- ⊘ Aree con gas caustici nell'aria, come le sorgenti calde
- ⊘ Aree che subiscono fluttuazioni di potenza, come le fabbriche
- ⊘ Spazi chiusi, come gli armadi
- ⊘ Cucine che usano il gas naturale
- ⊘ Aree con forti onde elettromagnetiche
- ⊘ Aree che conservano materiali infiammabili o gas
- ⊘ Stanze con alta umidità, come bagni o lavanderie

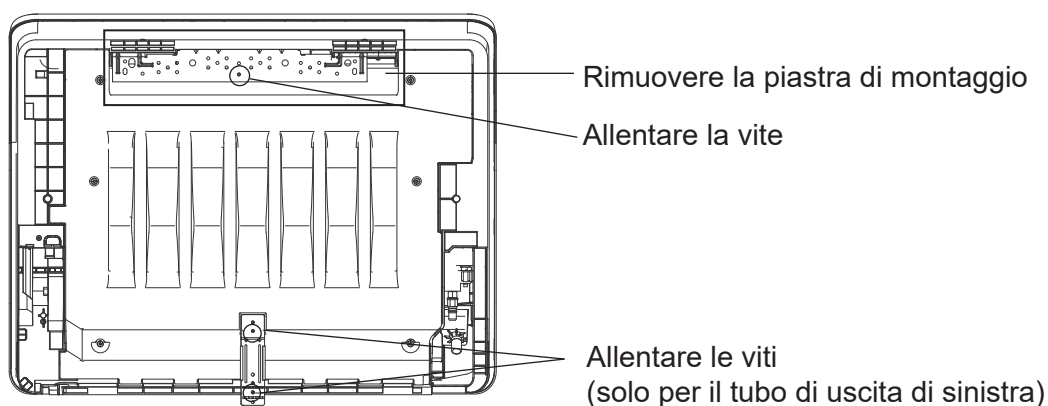
Distanze raccomandate tra l'unità interna

La distanza tra le unità interne montate deve soddisfare le specifiche illustrate nel seguente diagramma.



Passo 2: Installazione del corpo principale

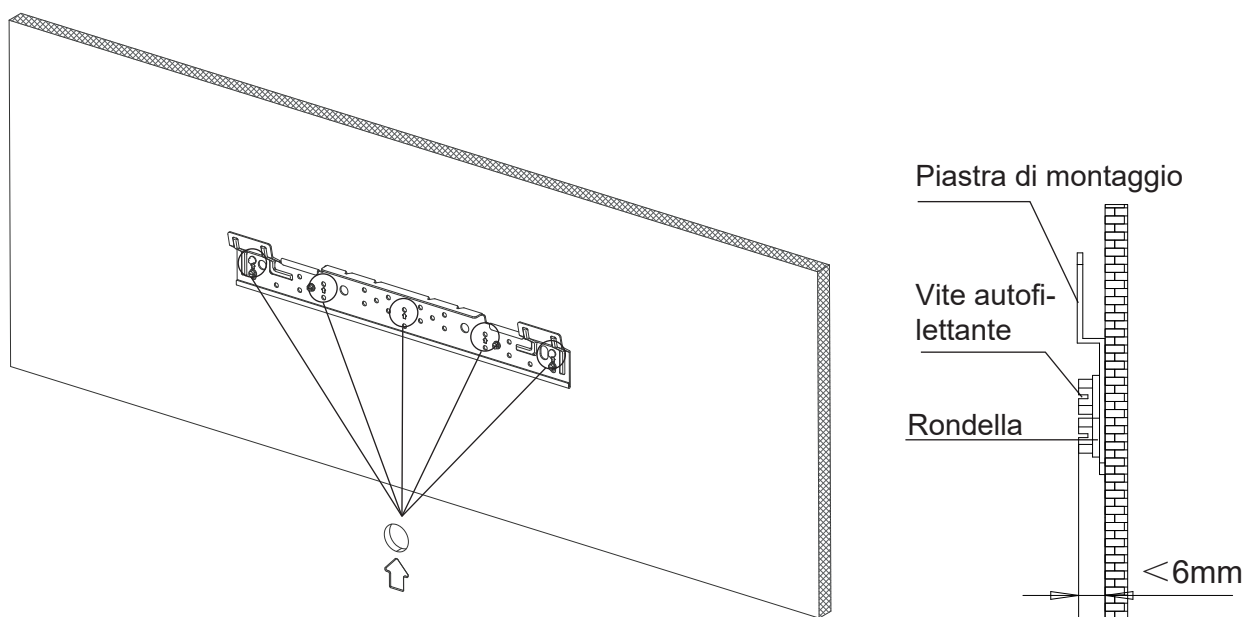
- Dopo aver allentato le viti, rimuovere la piastra di montaggio dall'unità.



NOTA: Se il tubo esce a sinistra, è necessario allentare le viti della piastra di montaggio inferiore. Se il tubo esce in altre direzioni, non è necessario.

- Fissare la piastra di montaggio con una vite autofilettante sulla parete.

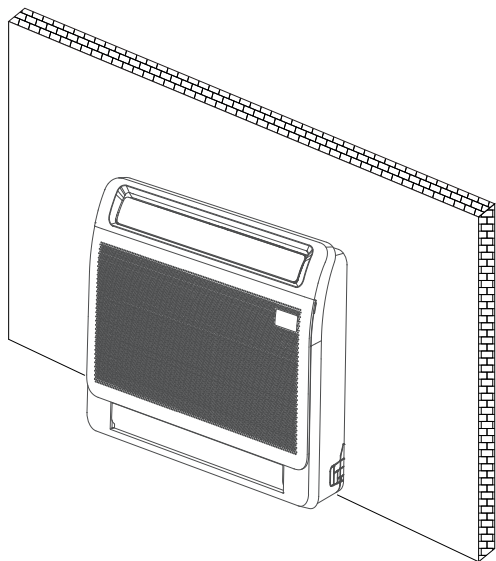
NOTA: Si raccomanda di fissarlo al muro secondo il foro di sospensione indicato dalla freccia sulla piastra di montaggio. La piastra di montaggio deve essere installata orizzontalmente.



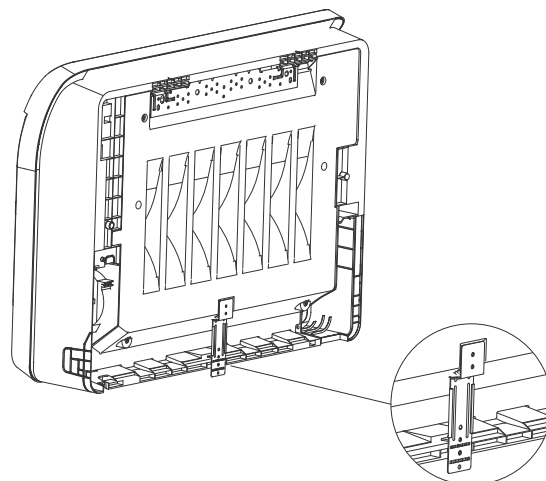
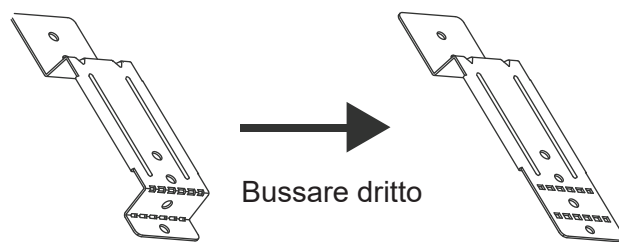
- Appendere l'unità interna alla piastra di montaggio.

(Il fondo del corpo può toccare il pavimento o rimanere sospeso, ma il corpo deve essere installato verticalmente).

NOTA: Dopo l'installazione, l'unità deve essere mantenuta orizzontale senza inclinarsi.



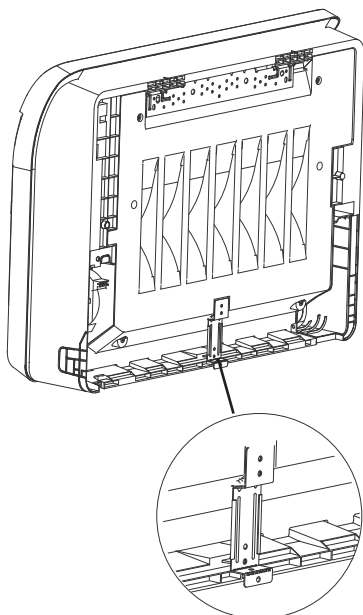
Installazione con linea di battiscopa
Battere la piastra di montaggio inferiore con un attrezzo e fissarla sulla linea del battiscopa.



- Installazione della piastra di montaggio inferiore

Installazione senza battiscopa

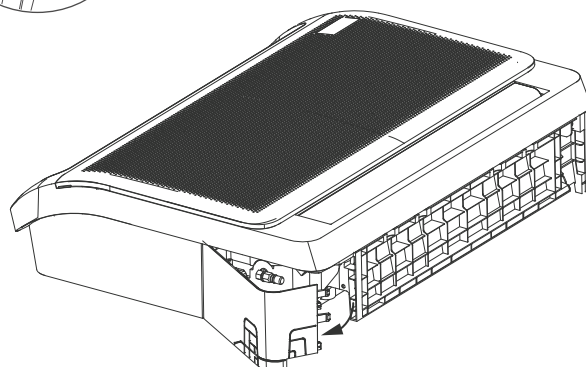
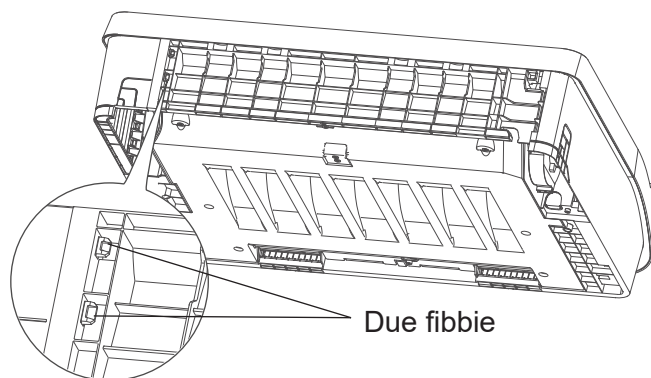
La piastra di montaggio inferiore è fissata direttamente al muro.



Passo 3: smontare l'unità interna per collegare i tubi

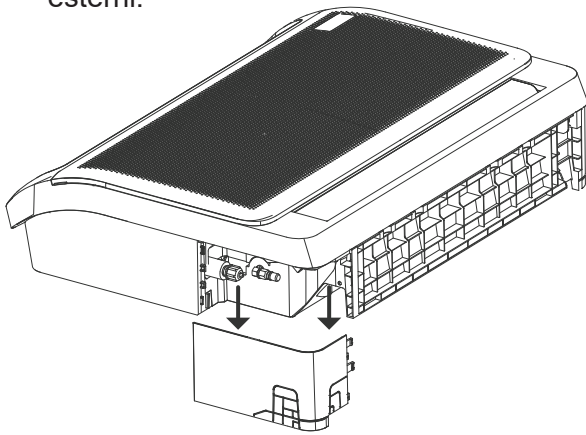
1. Aprire la piastra di copertura delle tubature inferiori

Premere e tenere premute le due fibbie inferiori, quindi ruotare per aprire la piastra di copertura delle tubature.



2. Rimuovere la piastra di copertura.

Rimuovere la piastra di copertura dei tubi e installare i tubi di collegamento interni ed esterni.



NOTA: Installare prima le tubazioni piccole e poi quelle grandi.

NOTA: Tutte le figure di questo manuale sono solo a scopo dimostrativo. Il condizionatore d'aria che avete acquistato potrebbe essere leggermente diverso nel design, anche se simile nella forma.

Passo 4: impostazione dell'indirizzo di rete (alcuni modelli)

(solo in caso di schede multifunzione opzionali con interfaccia XYE)

Ogni condizionatore d'aria in rete ha solo un indirizzo di rete per distinguersi l'un l'altro. Il codice di indirizzo del condizionatore d'aria in LAN è impostato dagli interruttori F1 e ENC su schede multifunzione principale dell'unità interna, e l'intervallo impostato è 0-63. (con scheda multifunzione opzionale)

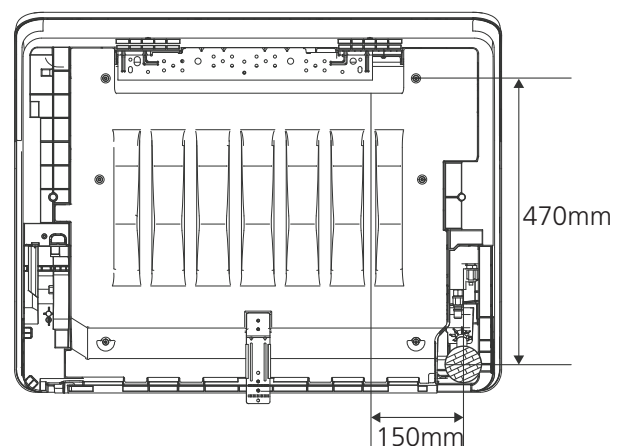
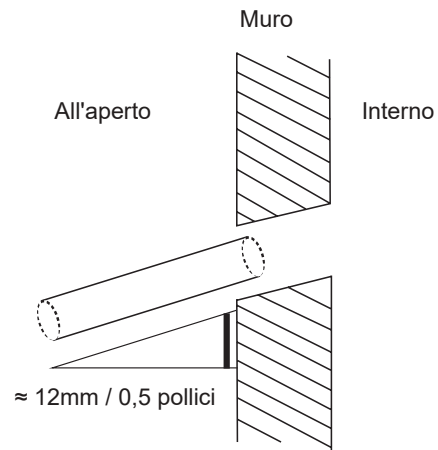
Interruttore a levetta impostato		Codice indirizzo di rete
F1	ENC3	
		00~15
		16~31
		32~47
		48-63

Fase 5: praticare un foro nel muro per le tubazioni connettive

1. Determinare la posizione del foro nel muro in base alla posizione dell'unità esterna.
2. Usando una carotatrice da 65mm (2,5 pollici) o 90mm (3,54 pollici) (a seconda dei modelli), praticare un foro nel muro. Assicuratevi che il foro sia praticato con un leggero angolo verso il basso, in modo che l'estremità esterna del foro sia più bassa di quella interna di circa 12mm (0,5 pollici). Questo assicurerà un adeguato drenaggio dell'acqua.
3. Posizionare il manicotto protettivo a muro nel foro. Questo protegge i bordi del foro e aiuterà a sigillarlo quando si finisce il processo di installazione.

⚠ ATTENZIONE

Quando si pratica il foro nel muro, assicurarsi di evitare fili, tubature e altri elementi sensibili.



Posizione e dimensioni raccomandate del tubo di scarico posteriore attraverso il foro nel muro

Passo 6: Collegare il tubo di scarico

Il tubo di drenaggio serve a drenare l'acqua dall'unità. Un'installazione impropria può causare danni all'unità e alla proprietà.

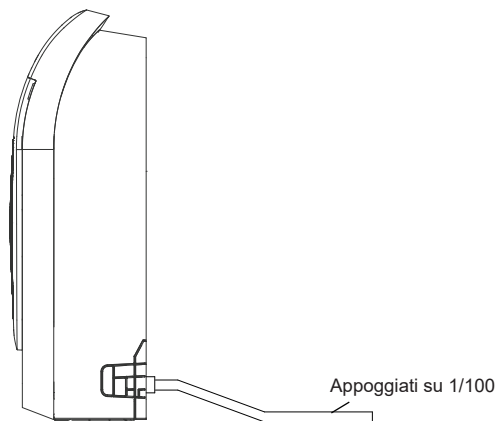
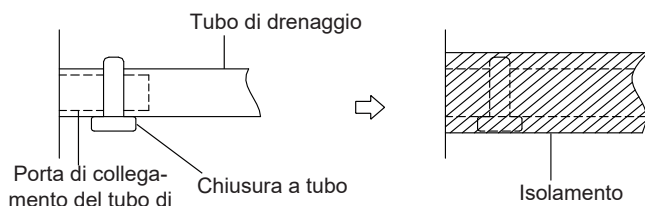
⚠ ATTENZIONE

- Isolare tutte le tubature per prevenire la condensazione, che potrebbe portare a danni causati dall'acqua.
- Se il tubo di drenaggio è piegato o installato in modo scorretto, l'acqua può fuoriuscire e causare un malfunzionamento dell'interruttore di livello dell'acqua.
- In modalità RISCALDAMENTO, l'unità esterna scaricherà acqua. Assicurarsi che il tubo di scarico sia posizionato in un'area appropriata per evitare danni e scivolamenti dell'acqua.
- NON tirare il tubo di scarico con forza. Questo potrebbe scollegarlo.

NOTA SULL'ACQUISTO DI TUBI

L'installazione richiede un tubo di polietilene (diametro esterno = 3,7-3,9 cm, diametro interno = 3,2 cm), che può essere ottenuto presso il vostro negozio di hardware o rivenditore locale.

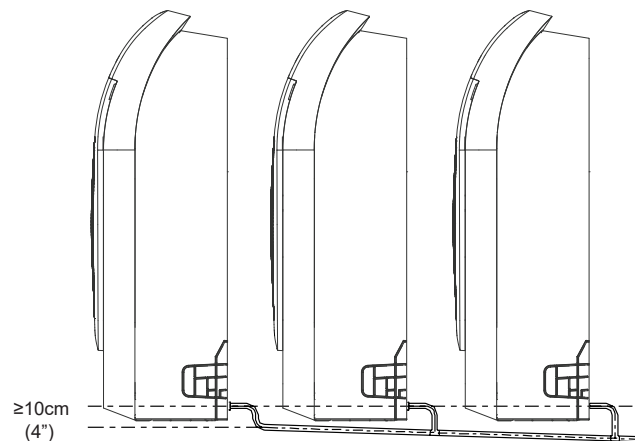
1. Coprire il tubo di drenaggio con un isolamento termico per prevenire la condensa e le perdite.
2. Collegare la bocca del tubo di scarico al tubo di uscita dell'unità. Guaina la bocca del tubo e fissalo saldamente con un fermaglio per tubi.



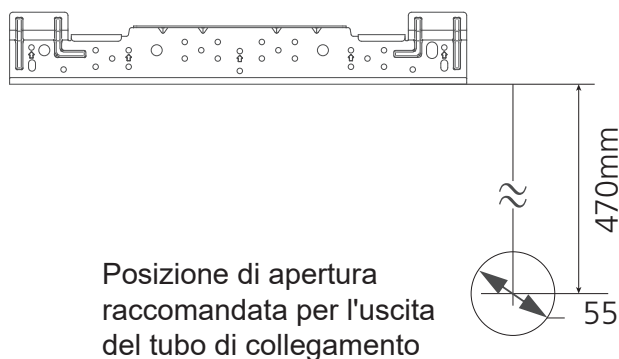
NOTA SULL'INSTALLAZIONE DEL TUBO DI DRENAGGIO

- Quando si usa un tubo di drenaggio esteso, stringere il collegamento interno con un tubo di protezione supplementare. Questo evita che si allenti.
- Il tubo di drenaggio deve essere inclinato verso il basso con una pendenza di almeno 1/100 per evitare che l'acqua rifluisca nel condizionatore d'aria.
- Un'installazione non corretta potrebbe causare il riflusso dell'acqua nell'unità e l'allagamento.

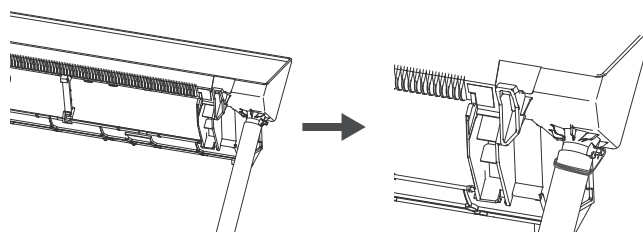
NOTA: Quando si collegano più tubi di drenaggio, installare i tubi come illustrato.



Per garantire un drenaggio regolare, la differenza di altezza tra la presa a muro e la piastra di sospensione deve essere superiore a 470 mm.

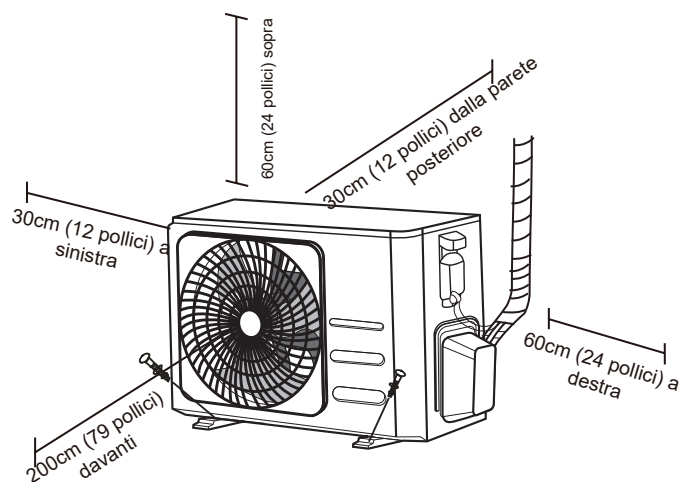


Requisiti di fissaggio dei tubi di drenaggio
Quando si installa il tubo di drenaggio (non fornito), si prega di fissarlo con una cravatta o una corda.



Installazione dell'unità esterna

Installare l'unità seguendo i codici e i regolamenti locali, che possono differire leggermente da una regione all'altra.



Istruzioni per l'installazione - Unità esterna

Passo 1: Selezionare il luogo di installazione

Prima di installare l'unità esterna, è necessario scegliere una posizione appropriata. Le seguenti sono norme che vi aiuteranno a scegliere una posizione appropriata per l'unità.

Le posizioni di installazione corrette soddisfano i seguenti standard:

- ☑ Soddisfa tutti i requisiti spaziali indicati nei requisiti di spazio per l'installazione di cui sopra.
- ☑ Buona circolazione dell'aria e ventilazione
- ☑ Fermo e solido—la posizione può sostenere l'unità e non vibrare
- ☑ Il rumore dell'unità non disturba gli altri
- ☑ Protetto da periodi prolungati di luce solare diretta o dalla pioggia
- ☑ Se si prevede una nevicata, prendere le misure appropriate per prevenire l'accumulo di ghiaccio e i danni alla bobina.

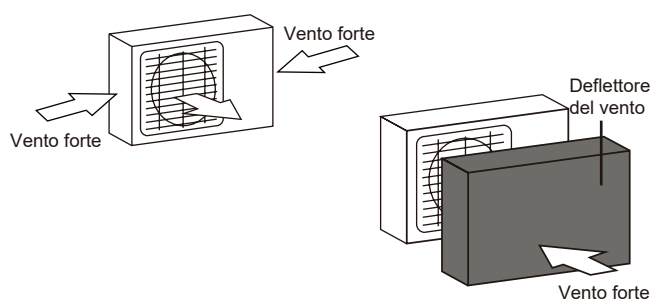
NON installare l'unità nei seguenti luoghi:

- ⊘ Vicino a un ostacolo che bloccherà le entrate e le uscite dell'aria
- ⊘ Vicino a una strada pubblica, aree affollate, o dove il rumore dell'unità disturberà gli altri
- ⊘ Vicino a animali o piante che saranno danneggiati dallo scarico di aria calda
- ⊘ Vicino a qualsiasi fonte di gas combustibile
- ⊘ In un luogo esposto a grandi quantità di polvere
- ⊘ In un luogo esposto a una quantità eccessiva di aria salata

CONSIDERAZIONI SPECIALI PER IL TEMPO ESTREMO

Se l'unità è esposta a forte vento:

Installare l'unità in modo che il ventilatore di uscita dell'aria abbia un angolo di 90° rispetto alla direzione del vento. Se necessario, costruire una barriera davanti all'unità per proteggerla da venti estremamente forti. Vedere le figure qui sotto.



Se l'unità è esposta frequentemente a pioggia o neve:

Costruire un riparo sopra l'unità per proteggerla dalla pioggia o dalla neve. Fate attenzione a non ostruire il flusso d'aria intorno all'unità.

Se l'unità è esposta frequentemente all'aria salata (mare):

Utilizzare un'unità esterna appositamente progettata per resistere alla corrosione.

Passo 2: installare il giunto di drenaggio (solo per l'unità a pompa di calore)

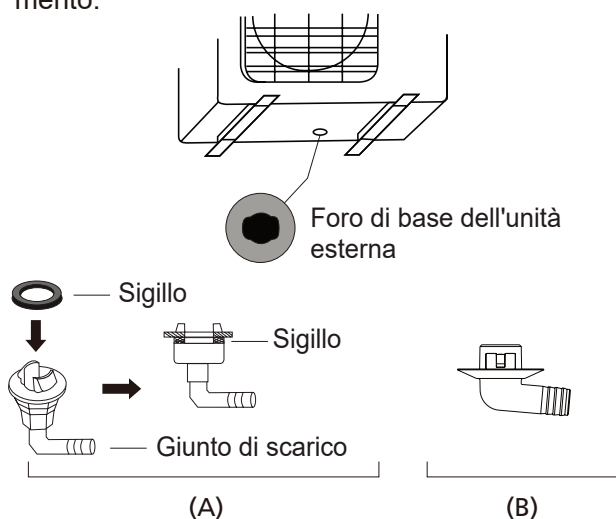
Prima di imbullonare l'unità esterna, dovete installare il giunto di drenaggio sul fondo dell'unità. Notate che ci sono due tipi diversi di giunti di drenaggio a seconda del tipo di unità esterna.

Se il giunto di drenaggio è dotato di una guarnizione di gomma (vedi Fig. A), fare quanto segue:

1. Montare la guarnizione di gomma sull'estremità del giunto di scarico che si collegherà all'unità esterna.
2. Inserire il giunto di drenaggio nel foro della vasca di base dell'unità.
3. Ruotare il giunto di drenaggio di 90° fino a che non scatta in posizione verso la parte anteriore dell'unità.
4. Collegare una prolunga del tubo di scarico (non inclusa) al giunto di scarico per reindirizzare l'acqua dall'unità durante la modalità di riscaldamento.

Se il giunto di scarico non viene fornito con una guarnizione di gomma (vedi Fig. B), fare quanto segue:

1. Inserire il giunto di drenaggio nel foro della vasca di base dell'unità. Il giunto di drenaggio scatterà in posizione.
2. Collegare una prolunga del tubo di scarico (non inclusa) al giunto di scarico per reindirizzare l'acqua dall'unità durante la modalità di riscaldamento.



! IN CLIMI FREDDI

Nei climi freddi, assicuratevi che il tubo di scarico sia il più verticale possibile per assicurare un rapido drenaggio dell'acqua. Se l'acqua defluisce troppo lentamente, può congelare nel tubo e allagare l'unità.

Passo 3: Ancorare l'unità esterna

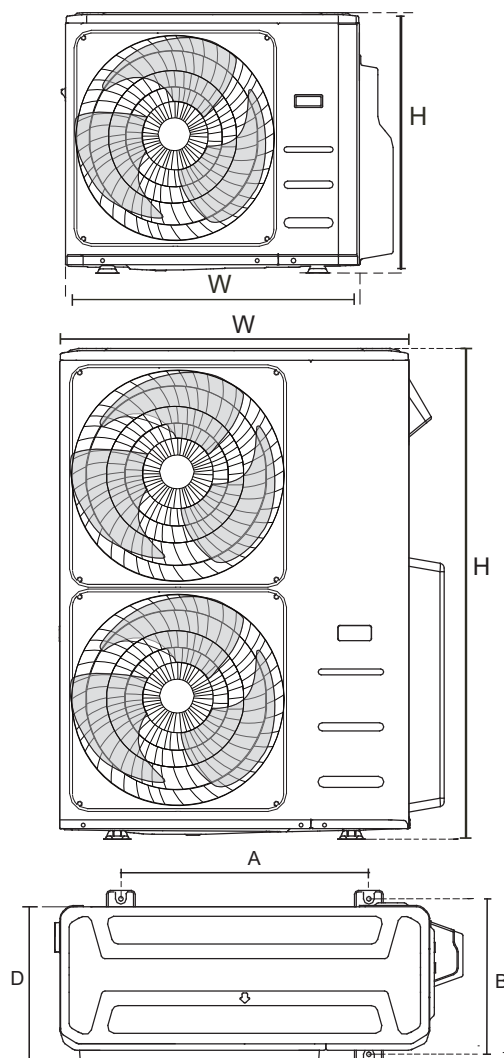
L'unità esterna può essere ancorata al suolo o a una staffa a muro con un bullone (M10). Preparare la base di installazione dell'unità secondo le dimensioni indicate qui sotto.

DIMENSIONI DI MONTAGGIO DELL'UNITÀ

La seguente è una lista di diverse dimensioni di unità esterne e la distanza tra i loro piedi di montaggio. Preparare la base di installazione dell'unità secondo le dimensioni sotto indicate.

Tipi di unità esterne e specifiche

Unità esterna di tipo split



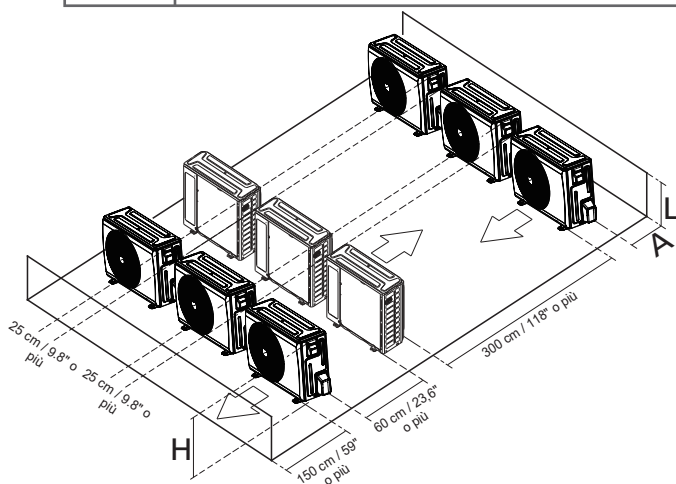
(unità: mm/pollici)

Dimensioni dell'unità esterna W x H x D	Dimensioni di montaggio	
	Distanza A	Distanza B
765x555x303 (30.1x21.8x11.9)	452 (17.8)	286(11.3)
805x554x330 (31.7x21.8x12.9)	511 (20.1)	317 (12.5)

File di installazione in serie

Le relazioni tra H, A e L sono le seguenti.

	L	A
$L \leq H$	$L \leq 1/2H$	25 cm / 9.8" o più
	$1/2H < L \leq H$	30 cm / 11.8" o più
$L > H$	Non può essere installato	



Connessione delle tubazioni del refrigerante

Quando si collegano le tubazioni del refrigerante, non far entrare nell'unità sostanze o gas diversi dal refrigerante specificato. La presenza di altri gas o sostanze ridurrà la capacità dell'unità e può causare una pressione anormalmente elevata nel ciclo di refrigerazione. Questo può causare esplosioni e lesioni.

Nota sulla lunghezza del tubo

Assicurarsi che la lunghezza del tubo del refrigerante, il numero di curve e l'altezza di caduta tra l'unità interna e quella esterna siano conformi ai requisiti indicati nella tabella seguente:

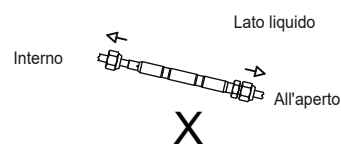
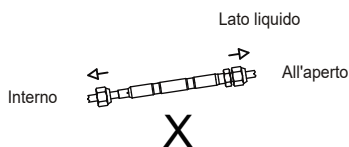
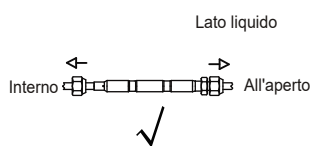
La lunghezza massima e l'altezza di caduta in base ai modelli. (Unità: m/ft.)

Tipo di modello	Capacità (Btu/h)	Lunghezza delle tubazioni	Altezza massima di caduta
Nord America, Australia e conversione di frequenza dell'UE Tipo spaccato	<15K	25/82	10/32.8
	≥15K - <24K	30/98.4	20/65.6
	≥24K - <36K	50/164	25/82
	≥36K - ≤60K	75/246	30/98.4

⚠ ATTENZIONE

Segnare la targhetta dei dati con l'orifizio installato (per alcuni modelli).

- Si prega di acquistare i raccordi seguendo rigorosamente i requisiti del manuale.
- Fare riferimento allo schema durante l'installazione.



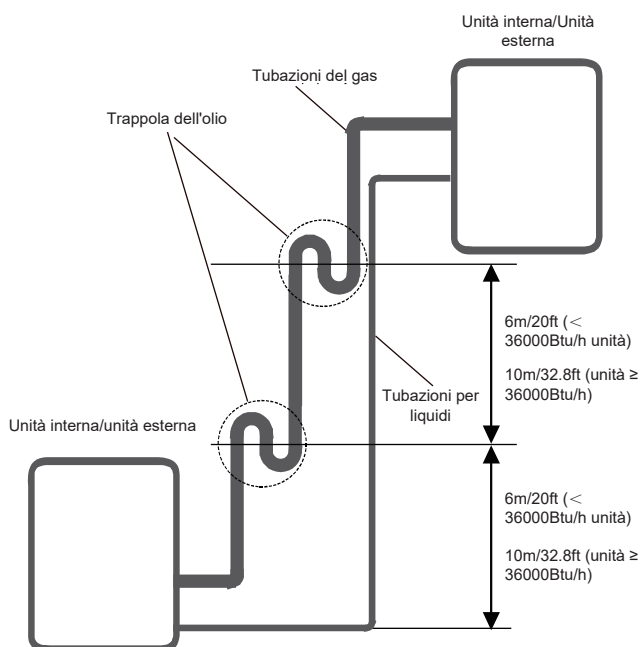
⚠ ATTENZIONE

Trappole per olio

Se l'olio rifluisce nel compressore dell'unità esterna, questo potrebbe causare la compressione del liquido o il deterioramento del ritorno dell'olio. Le trappole per l'olio nelle tubazioni del gas di risalita possono prevenire questo.

Una trappola per l'olio deve essere installata ogni 6m (20ft) di tubo verticale di aspirazione (< 36000Btu/h unità).

Una trappola per l'olio deve essere installata ogni 10 m (32,8 piedi) di tubo verticale di aspirazione (unità ≥36000Btu/h).



Istruzioni per il collegamento - Tubazioni del refrigerante

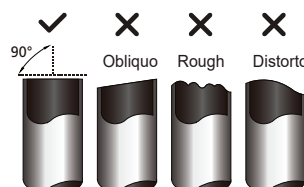
⚠ ATTENZIONE

- Il tubo di derivazione deve essere installato orizzontalmente. Un angolo superiore a 10° può causare malfunzionamenti.
- **NON** installare il tubo di collegamento prima che siano state installate entrambe le unità interne ed esterne.
- Isolare le tubature del gas e del liquido per evitare perdite d'acqua.

Passo 1: tagliare i tubi

Quando si preparano i tubi del refrigerante, fare molta attenzione a tagliarli e svasarli correttamente. Questo assicurerà un funzionamento efficiente e ridurrà al minimo la necessità di manutenzione futura.

1. Misurare la distanza tra l'unità interna e quella esterna.
2. Con un taglia tubi, tagliare il tubo un po' più lungo della distanza misurata.
3. Assicurarsi che il tubo sia tagliato con un angolo perfetto di 90°.



⊘ **NON DEFORMARE IL TUBO DURANTE IL TAGLIO**

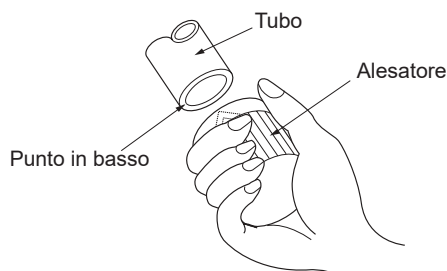
Fate molta attenzione a non danneggiare, ammaccare o deformare il tubo durante il taglio. Questo ridurrà drasticamente l'efficienza del riscaldamento dell'unità.

Passo 2: Rimuovere le bave.

Le sbavature possono compromettere la tenuta stagna del collegamento delle tubature del refrigerante. Devono essere completamente rimosse.

1. Tenere il tubo con un angolo verso il basso per evitare che le bave cadano nel tubo.

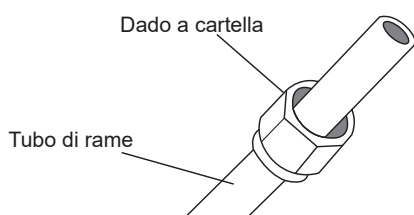
2. Usando un alesatore o uno sbavatore, rimuovere tutte le bave dalla sezione tagliata del tubo.



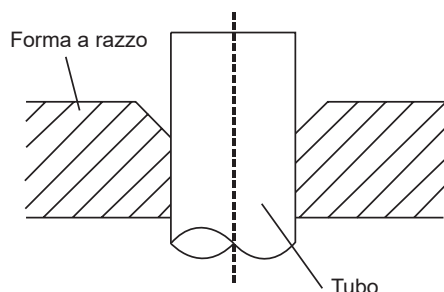
Passo 3: svasare le estremità del tubo

La svasatura corretta è essenziale per ottenere una tenuta ermetica.

1. Dopo aver rimosso le bave dal tubo tagliato, sigillare le estremità con nastro in PVC per evitare che materiali estranei entrino nel tubo.
2. Rivestire il tubo con materiale isolante.
3. Posizionare i dadi della svasatura su entrambe le estremità del tubo. Assicuratevi che siano rivolti nella giusta direzione, perché non potete metterli o cambiare la loro direzione dopo la svasatura.



4. Rimuovere il nastro in PVC dalle estremità del tubo quando si è pronti a eseguire il lavoro di svasatura.
5. Bloccare la forma della svasatura sull'estremità del tubo. L'estremità del tubo deve estendersi oltre la forma di svasatura.



6. Posizionare l'attrezzo di svasatura sulla forma.
7. Girare la maniglia dell'attrezzo per svasare in senso orario fino a quando il tubo è completamente svasato. Svasare il tubo secondo le dimensioni.

ESTENSIONE DELLE TUBAZIONI OLTRE LA FORMA DELLA SVASATURA

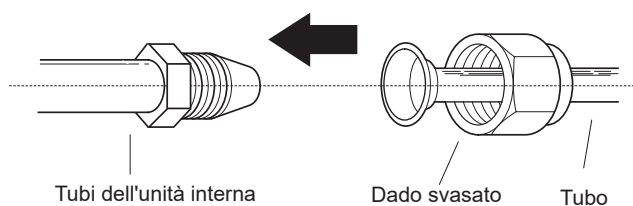
Misuratore di tubi	Coppia di serraggio	Dimensione della svasatura (A) (Unità: mm/pollici)		Forma svasata
		Min.	Max.	
Ø 6.35	18-20 N.m (180-200 kgf.cm)	8.4/0.33	8.7/0.34	
Ø 9.52	32-39 N.m. (320-390 kgf.cm)	13.2/0.52	13.5/0.53	
Ø 12.7	49-59 N.m. (490-590 kgf.cm)	16.2/0.64	16.5/0.65	
Ø 16	57-71 N.m (570-710 kgf.cm)	19.2/0.76	19.7/0.78	
Ø 19	67-101 N.m. (670-1010 kgf.cm)	23.2/0.91	23.7/0.93	
Ø 22	85-110 N.m (850-1100 kgf.cm)	26.4/1.04	26.9/1.06	

8. Rimuovere l'attrezzo per la svasatura e la forma di svasatura, poi ispezionare l'estremità del tubo per vedere se ci sono crepe e se la svasatura è uniforme.

Passo 4: Collegare i tubi

Collegare prima i tubi di rame all'unità interna, poi collegarli all'unità esterna. Dovresti collegare prima il tubo a bassa pressione, poi quello ad alta pressione.

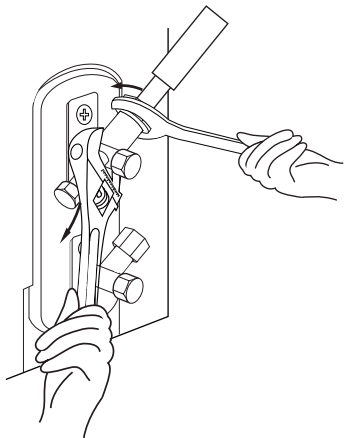
1. Quando si collegano i dadi svasati, applicare un sottile strato di olio per refrigerazione alle estremità svasate dei tubi.
2. Allineate il centro dei due tubi che collegherete.



3. Stringere il dado a farfalla il più strettamente possibile a mano.
4. Con una chiave, afferrare il dado sul tubo dell'unità.

5. Mentre si afferra saldamente il dado, usare una chiave dinamometrica per stringere il dado a cartella secondo i valori di coppia della tabella precedente.

NOTA: Usare sia una chiave inglese che una chiave dinamometrica quando si collegano o si scollegano i tubi da e verso l'unità.



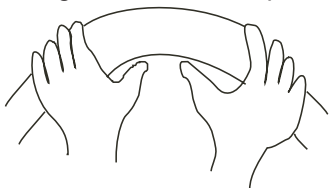
ATTENZIONE

- Assicurarsi di avvolgere l'isolamento intorno alle tubazioni. Il contatto diretto con la tubazione nuda può provocare ustioni o congelamento.
- Assicurarsi che il tubo sia collegato correttamente. Un serraggio eccessivo può danneggiare la bocca della campana e un serraggio insufficiente può portare a perdite.

NOTA SUL RAGGIO MINIMO DI CURVATURA

Piegare attentamente il tubo al centro secondo lo schema qui sotto. **NON** piegare il tubo più di 90° o più di 3 volte.

Piegare il tubo con il pollice



raggio minimo 10cm (3.9")

6. Dopo aver collegato i tubi di rame all'unità interna, avvolgere il cavo di alimentazione, il cavo di segnale e i tubi con del nastro adesivo.

NOTA: **NON** intrecciare il cavo di segnale con altri fili. Mentre si impacchettano questi articoli, non intrecciare o incrociare il cavo di segnale con altri cavi.

7. Infilare questa tubatura attraverso il muro e collegarla all'unità esterna.
8. Isolare tutte le tubazioni, comprese le valvole dell'unità esterna.
9. Aprire le valvole di arresto dell'unità esterna per avviare il flusso del refrigerante tra l'unità interna ed esterna.

ATTENZIONE

Controllare che non ci siano perdite di refrigerante dopo aver completato il lavoro di installazione. Se c'è una perdita di refrigerante, ventilare immediatamente l'area ed evacuare il sistema (fare riferimento alla sezione Evacuazione dell'aria di questo manuale).

NOTA: Dopo aver collegato le tubazioni, si prega di avvolgere la testa del tubo di collegamento con il tubo isolante nella confezione degli accessori.

Cablaggio

PRIMA DI ESEGUIRE QUALSIASI LAVORO ELETTRICO, LEGGERE QUESTE NORME

1. Tutti i cablaggi devono essere conformi ai codici elettrici locali e nazionali, ai regolamenti e devono essere installati da un elettricista autorizzato.
2. Tutti i collegamenti elettrici devono essere effettuati secondo lo schema di collegamento elettrico situato sui pannelli delle unità interne ed esterne.
3. Se c'è un serio problema di sicurezza con l'alimentazione, fermate immediatamente il lavoro. Spiegate le vostre ragioni al cliente e rifiutate di installare l'unità fino a quando il problema di sicurezza non sia stato adeguatamente risolto.
4. La tensione di alimentazione dovrebbe essere entro il 90-110% della tensione nominale. Un'alimentazione insufficiente può causare malfunzionamenti, scosse elettriche o incendi.
5. Se si collega l'alimentazione al cablaggio fisso, è necessario installare un limitatore di sovratensione e un interruttore di alimentazione principale.
6. Se si collega l'alimentazione al cablaggio fisso, un interruttore o un disgiuntore che scollega tutti i poli e ha una separazione dei contatti di almeno 1/8in (3mm) deve essere incorporato nel cablaggio fisso. Il tecnico qualificato deve utilizzare un interruttore o un commutatore approvato.
7. Collegare l'unità solo a una presa individuale del circuito derivato. Non collegare un altro apparecchio a quella presa.
8. Assicuratevi di mettere a terra correttamente il condizionatore d'aria.
9. Ogni filo deve essere collegato saldamente. Un cablaggio allentato può causare il surriscaldamento del terminale, con conseguente malfunzionamento del prodotto e possibile incendio.
10. Non lasciare che i fili tocchino o si posino contro i tubi del refrigerante, il compressore o qualsiasi parte in movimento all'interno dell'unità.
11. Se l'unità ha un riscaldatore elettrico ausiliario, deve essere installato ad almeno 1 metro (40in) di distanza da qualsiasi materiale combustibile.
12. Per evitare di prendere una scossa elettrica, non toccare mai i componenti elettrici subito dopo che l'alimentazione è stata spenta. Dopo aver spento l'alimentazione, attendere sempre 10 minuti o più prima di toccare i componenti elettrici.
13. Assicuratevi di non incrociare il vostro cablaggio elettrico con quello del segnale. Questo può causare distorsioni e interferenze.
14. L'unità deve essere collegata alla presa principale. Normalmente, l'alimentazione deve avere un'impedenza di 32 ohm.
15. Nessun'altra attrezzatura dovrebbe essere collegata allo stesso circuito di alimentazione.
16. Collegare i fili esterni prima di collegare i fili interni.

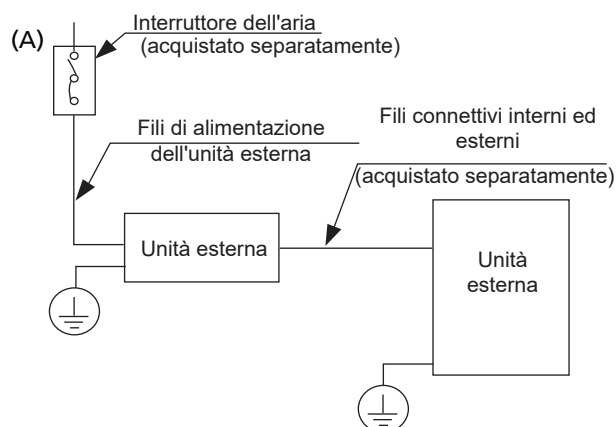
ATTENZIONE

PRIMA DI ESEGUIRE QUALSIASI LAVORO ELETTRICO O DI CABLAGGIO, SPEGNERE L'ALIMENTAZIONE PRINCIPALE DEL SISTEMA.

NOTA SULL'INTERRUPTORE DELL'ARIA

Quando la corrente massima del condizionatore d'aria è più di 16A, deve essere usato un interruttore per l'aria o un interruttore di protezione contro le perdite con dispositivo di protezione (acquistato separatamente). Quando la corrente massima del condizionatore d'aria è inferiore a 16A, il cavo di alimentazione del condizionatore d'aria deve essere dotato di una spina (acquistata separatamente).

In Nord America, l'applicazione deve essere cablata secondo i requisiti NEC e CEC.



NOTA: Le cografie sono solo a scopo esplicativo. La vostra macchina potrebbe essere leggermente diversa. La forma reale prevarrà.

Cablaggio dell'unità esterna

AVVERTENZA

Prima di eseguire qualsiasi lavoro elettrico o di cablaggio, spegnere l'alimentazione principale del sistema.

1. Preparare il cavo per il collegamento
 - a. Dovete prima scegliere la dimensione giusta del cavo. Assicuratevi di utilizzare i cavi H07RN-F.

NOTA: In Nord America, scegliete il tipo di cavo secondo i codici e i regolamenti elettrici locali.

Area trasversale minima dei cavi di alimentazione e di segnale (per riferimento)

Corrente nominale dell'apparecchio (A)	Sezione trasversale nominale (mm ²)
> 3 e ≤ 6	0.75
> 6 e ≤ 10	1
> 10 e ≤ 16	1.5
> 10 e ≤ 16	2.5
> 25 e ≤ 32	4
> 32 e ≤ 40	6

SCEGLIERE LA GIUSTA DIMENSIONE DEL CAVO

La dimensione del cavo di alimentazione, del cavo di segnale, del fusibile e dell'interruttore necessari è determinata dalla corrente massima dell'unità. La corrente massima è indicata sulla targhetta situata sul pannello laterale dell'unità. Fate riferimento a questa targhetta per scegliere il cavo, il fusibile o l'interruttore giusto.

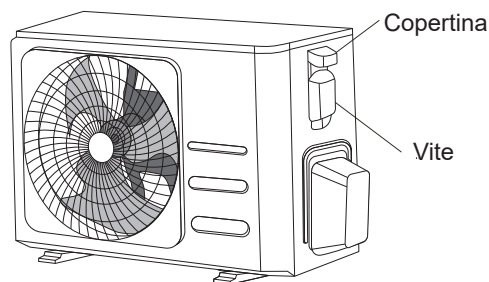
NOTA: In Nord America, si prega di scegliere la dimensione giusta del cavo in base all'Ampacità minima del circuito indicata sulla targhetta dell'unità.

- b. Usando le pinze spellafili, togliete il rivestimento di gomma da entrambe le estremità del cavo di segnale per rivelare circa 15cm (5.9") di filo.

- c. Spellare l'isolamento dalle estremità.
- d. Usando una pinza per fili, crimpare i tappi a U alle estremità.

NOTA: Quando si collegano i fili, seguire rigorosamente lo schema di cablaggio che si trova all'interno del coperchio della scatola elettrica.

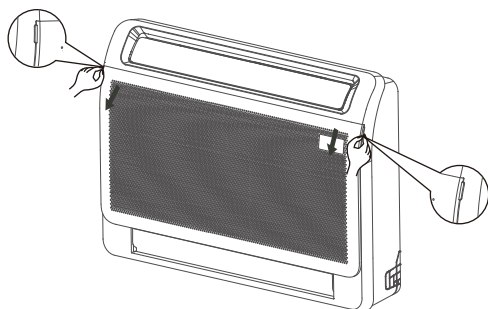
2. Rimuovere il coperchio elettrico dell'unità esterna. Se non c'è un coperchio sull'unità esterna, togliete i bulloni dalla scheda di manutenzione e rimuovete la scheda di protezione.



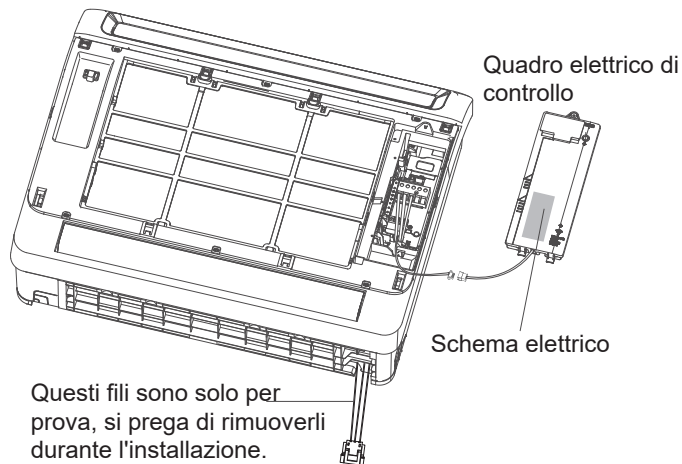
3. Collegare gli u-lugs ai terminali Far corrispondere i colori/etichette dei fili con le etichette sulla morsettiere. Avvitare saldamente il connettore a U di ogni filo al suo terminale corrispondente.
4. Bloccare il cavo con il morsetto per cavi.
5. Isolare i fili non utilizzati con del nastro isolante. Teneteli lontani da parti elettriche o metalliche.
6. Reinstallare il coperchio della scatola di controllo elettrico.

Cablaggio dell'unità interna

1. Preparare il cavo per il collegamento
 - a. Usando le pinze spellafili, togliete il rivestimento di gomma da entrambe le estremità del cavo di segnale per rivelare circa 15 cm (5.9") di filo.
 - b. Spellare l'isolamento dalle estremità dei fili.
 - c. Usando una pinza per fili, crimpare i tappi a U alle estremità dei fili.
2. Tirare le maniglie destra e sinistra del pannello anteriore, tirare il pannello verso l'esterno e aprire il pannello.

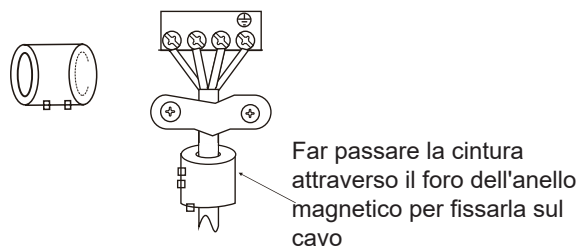


3. Rimuovere la scatola di controllo elettrico. Collegare gli u-lug ai terminali. Abbinare i colori/etichette dei fili con le etichette sulla morsettiere, avvitarne saldamente il tappo a U di ogni filo al suo terminale corrispondente. Fare riferimento al numero di serie e allo schema di cablaggio situato sul coperchio della scatola di controllo elettrico.



NOTA: Quando si toglie la scatola di controllo elettrico, fare attenzione ad allentare e rimuovere il terminale.

Anello magnetico (se fornito e imballato con gli accessori)



ATTENZIONE

- Le illustrazioni in questo manuale sono a scopo esplicativo. La forma reale prevale.
 - Quando si collegano i fili, si prega di seguire rigorosamente lo schema di cablaggio.
 - Il circuito del refrigerante può diventare molto caldo. Tenere il cavo di interconnessione lontano dal tubo di rame.
- 5.

4. Bloccare il cavo con l'apposito morsetto per fissarlo in posizione. Il cavo non deve essere allentato e non deve tirare i tappi a U. Reinstallare il coperchio della scatola elettrica e il pannello frontale dell'unità interna.

Specifiche di potenza

MODELLO(Btu/h)		<16K	16K-18K
POTENZA	FASE	1 fase	1 fase
	FREQUENZA E VOLT	220-240V~, 50Hz/60Hz	220-240V~, 50Hz/60Hz
INTERRUTTORE AUTOMATICO (A)		16	16
Cablaggio di potenza dell'unità interna (mm ²)		—	—
Cablaggio di collegamento interno/esterno (mm ²)	CABLAGGIO DI ALIMENTAZIONE DELL'UNITÀ ESTERNA	3x1.5	3x1.5
	FORTE SEGNALE ELETTRICO	4x1.5	4x1.5
	SEGNALE ELETTRICO DEBOLE	—	—
	CABLAGGIO DI TERRA	1.5	1.5

Evacuazione dell'aria

Preparativi e precauzioni

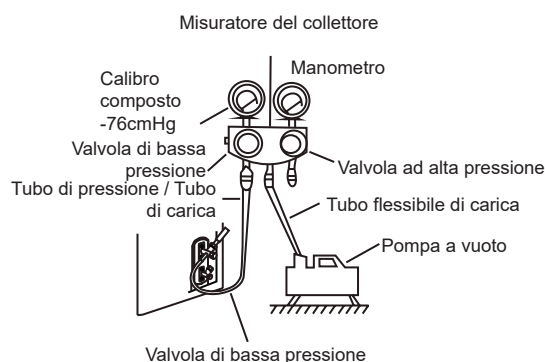
L'aria e le sostanze estranee nel circuito del refrigerante possono causare aumenti anomali della pressione, che possono danneggiare il condizionatore d'aria, ridurre la sua efficienza e causare lesioni. Usare una pompa a vuoto e un misuratore di collettore per evacuare il circuito del refrigerante, rimuovendo ogni gas non condensabile e l'umidità dal sistema. L'evacuazione deve essere eseguita al momento dell'installazione iniziale e quando l'unità viene trasferita.

PRIMA DI ESEGUIRE L'EVACUAZIONE

- Controllare che i tubi di collegamento tra le unità interne ed esterne siano collegati correttamente.
- Controllate che tutti i cavi siano collegati correttamente.

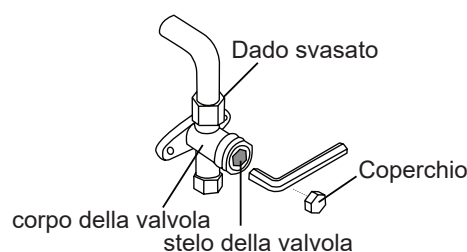
Istruzioni per l'evacuazione

1. Collegare il tubo di carica del manometro del collettore alla porta di servizio sulla valvola di bassa pressione dell'unità esterna.
2. Collegare un altro tubo di carica dal manometro del collettore alla pompa del vuoto.
3. Aprire il lato di bassa pressione del manometro del collettore. Tenere chiuso il lato Alta Pressione.
4. Accendere la pompa a vuoto per evacuare il sistema.
5. Far funzionare il vuoto per almeno 15 minuti, o fino a quando il misuratore di composti legge -76cmHG (-105Pa).



6. Chiudere il lato di bassa pressione del manometro del collettore e spegnere la pompa del vuoto.
7. Attendere 5 minuti, poi controllare che non ci sia stato alcun cambiamento nella pressione del sistema.

8. Se c'è un cambiamento nella pressione del sistema, fare riferimento alla sezione Controllo perdite di gas per informazioni su come controllare le perdite. Se non c'è un cambiamento nella pressione del sistema, svitare il tappo della valvola imballata (valvola ad alta pressione).
9. Inserire la chiave esagonale nella valvola imballata (valvola ad alta pressione) e aprire la valvola girando la chiave in un $1/4$ di giro in senso antiorario. Ascoltare che il gas esca dal sistema, poi chiudere la valvola dopo 5 secondi.
10. Guardare il manometro per un minuto per assicurarsi che non ci sia un cambiamento di pressione. Il manometro dovrebbe leggere leggermente più alto della pressione atmosferica.
11. Rimuovere il tubo di carica dalla porta di servizio.



12. Usando la chiave esagonale, aprire completamente entrambe le valvole di alta e bassa pressione.
13. Stringere i tappi delle valvole su tutte e tre le valvole (porta di servizio, alta pressione, bassa pressione) a mano. Si può stringere ulteriormente usando una chiave dinamometrica, se necessario.

! APRIRE DELICATAMENTE GLI STELI DELLE VALVOLE

Quando si aprono gli steli delle valvole, girare la chiave esagonale fino a quando non tocca il tappo. Non cercare di forzare la valvola ad aprirsi ulteriormente.

Nota sull'aggiunta di refrigerante

Alcuni sistemi richiedono una carica aggiuntiva a seconda della lunghezza dei tubi. La lunghezza standard dei tubi varia a seconda dei regolamenti locali. Per esempio, in Nord America, la lunghezza standard del tubo è di 7,5m (25').

In altre aree, la lunghezza standard del tubo è di 5m (16'). Il refrigerante deve essere caricato dalla porta di servizio sulla valvola di bassa pressione dell'unità esterna. Il refrigerante addizionale da caricare può essere calcolato usando la seguente formula:

Diametro del lato liquido

	φ6.35(1/4")	φ9.52(3/8")	φ12.7(1/2")
R22 (tubo orificio nell'unità interna):	(Lunghezza totale del tubo - lunghezza standard del tubo) x 30g (0.32oz)/m(ft)	(Lunghezza totale del tubo - lunghezza standard del tubo) x 65g(0.69oz)/m(ft)	(Lunghezza totale del tubo - lunghezza standard del tubo) x 115g(1.23oz)/m(ft)
R22 (tubo orificio nell'unità esterna):	(Lunghezza totale del tubo - lunghezza standard del tubo) x 15g(0.16oz)/m(ft)	(Lunghezza totale del tubo - lunghezza standard del tubo) x 30g(0.32oz)/m(ft)	(Lunghezza totale del tubo - lunghezza standard del tubo) x 60g(0.64oz)/m(ft)
R410A: (tubo orificio nell'unità interna):	(Lunghezza totale del tubo - lunghezza standard del tubo) x 30g(0.32oz)/m(ft)	(Lunghezza totale del tubo - lunghezza standard del tubo) x 65g(0.69oz)/m(ft)	(Lunghezza totale del tubo - lunghezza standard del tubo) x 115g(1.23oz)/m(ft)
R410A: (tubo orificio nell'unità esterna):	(Lunghezza totale del tubo - lunghezza standard del tubo) x 15g(0.16oz)/m(ft)	(Lunghezza totale del tubo - lunghezza standard del tubo) x 30g(0.32oz)/m(ft)	(Lunghezza totale del tubo - lunghezza standard del tubo) x 60g(0.64oz)/m(ft)
R32 :	(Lunghezza totale del tubo - lunghezza standard del tubo) x 12g(0.13oz)/m(ft)	(Lunghezza totale del tubo - lunghezza standard del tubo) x 24g(0.26oz)/m(ft)	(Lunghezza totale del tubo - lunghezza standard del tubo) x 40g(0.42oz)/m(ft)



ATTENZIONE NON mischiare i tipi di refrigerante.

Solo per i modelli Australia:

- Questa unità contiene refrigerante caricato in fabbrica che copre 20 m di tubazioni del refrigerante e non è necessaria una carica aggiuntiva di refrigerante sul sito di installazione per un'installazione con tubazioni del refrigerante fino a 20 m. Quando le tubazioni del refrigerante superano i 20 m, caricare ulteriormente una quantità calcolata in base alla lunghezza delle tubazioni e alla tabella di cui sopra per la parte che supera i 20 m.
- Se si usa un sistema di tubature esistente, il volume di carica di refrigerante richiesto varia a seconda delle dimensioni delle tubature del liquido.

Formula per calcolare il volume di refrigerante aggiuntivo richiesto:

Volume di carica supplementare (kg) = { Lunghezza principale (m) - Volume di carica di fabbrica 20(m) } × 0.03(kg/m)

- Assicurarsi di rimuovere la quantità di refrigerante aggiuntiva secondo la carica nominale di targa (sotto 5m di tubazioni di refrigerante) sotto il mercato o il test di verifica del governo.

Esecuzione del test

Prima dell'esecuzione del test

Una prova deve essere eseguita dopo che l'intero sistema è stato completamente installato. Confermare i seguenti punti prima di eseguire il test:

- a) Le unità interne ed esterne sono installate correttamente.
- b) Le tubazioni e il cablaggio sono collegati correttamente.
- c) Nessun ostacolo vicino all'entrata e all'uscita dell'unità che possa causare scarse prestazioni o malfunzionamento del prodotto.
- d) Il sistema di refrigerazione non perde.
- e) Il sistema di drenaggio non è ostacolato e drena in un luogo sicuro.
- f) L'isolamento del riscaldamento è installato correttamente.
- g) I fili di messa a terra sono collegati correttamente.
- h) La lunghezza delle tubazioni e la capacità di stivaggio del refrigerante supplementare sono state registrate.
- i) La tensione di alimentazione è quella corretta per il condizionatore d'aria.



ATTENZIONE

La mancata esecuzione del collaudo può provocare danni all'unità, danni alla proprietà o lesioni personali.

Istruzioni per l'esecuzione del test

1. Aprire entrambe le valvole di arresto del liquido e del gas.
2. Accendere l'interruttore principale e lasciare che l'unità si riscaldi.
3. Impostare il condizionatore d'aria sulla modalità COOL.
4. Per l'unità interna
 - a. Assicurarsi che il telecomando e i suoi pulsanti funzionino correttamente.
 - b. Assicurarsi che le prese d'aria si muovano correttamente e che possano essere cambiate usando il telecomando.
 - c. Controllare due volte se la temperatura ambiente viene registrata correttamente.
 - d. Assicurarsi che gli indicatori sul telecomando e il pannello del display dell'unità interna funzionino correttamente.
 - e. Assicurarsi che i pulsanti manuali dell'unità interna funzionino correttamente.

- f. Controllare che il sistema di drenaggio non sia ostacolato e che drena senza problemi.
 - g. Assicurarsi che non ci siano vibrazioni o rumori anomali durante il funzionamento.
5. Per l'unità esterna
 - a. Controllare se il sistema di refrigerazione ha delle perdite.
 - b. Assicurarsi che non ci siano vibrazioni o rumori anomali durante il funzionamento.
 - c. Assicuratevi che il vento, il rumore e l'acqua generati dall'unità non disturbino i vostri vicini o costituiscano un pericolo per la sicurezza.
 6. Test di drenaggio
 - a. Assicurarsi che il tubo di drenaggio scorra senza problemi. Gli edifici nuovi dovrebbero eseguire questo test prima di finire il soffitto.
 - b. Rimuovere il coperchio del test. Aggiungere 2.000 ml di acqua al serbatoio attraverso il tubo allegato.
 - c. Accendere l'interruttore principale e far funzionare il condizionatore d'aria in modalità COOL.
 - d. Ascoltate il suono della pompa di scarico per vedere se fa dei rumori insoliti.
 - e. Controllare che l'acqua venga scaricata. Potrebbe essere necessario fino a un minuto prima che l'unità inizi a scaricare, a seconda del tubo di scarico.
 - f. Assicurarsi che non ci siano perdite in nessuna delle tubazioni.
 - g. Fermare il condizionatore d'aria. Spegnerne l'interruttore principale e reinstallare il coperchio di prova.

NOTA: Se l'unità funziona male o non funziona secondo le sue aspettative, si prega di fare riferimento alla sezione Risoluzione dei problemi del Manuale d'uso prima di chiamare il servizio clienti.

Airwell

Just feel well

WARNING :

The design and specifications are subject to change without prior notice for product improvement. Consult with the sales agency or manufacturer for details.

ATTENTION :

Le design et les données techniques sont donnés à titre indicatif et peuvent être modifiés sans préavis.



AIRWELL RESIDENTIAL SAS

10,Rue du Fort de Saint Cyr,
78180 Montigny le Bretonneux - France
www.airwell.com