

Airwell

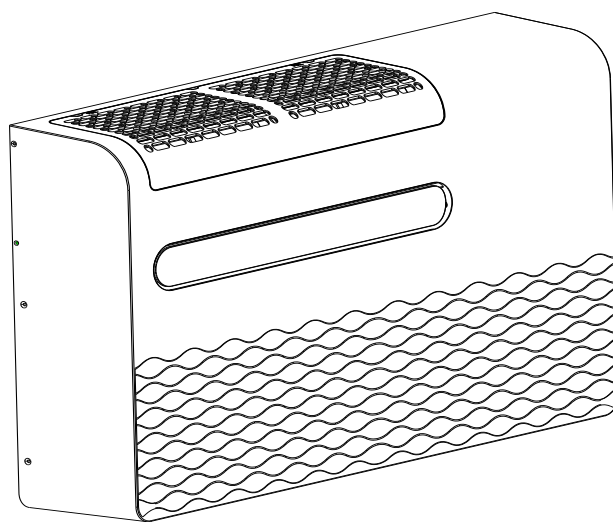
Just feel well

Installation Manual

XDAW

R32

English, Français, Deutsch, Italian, Espanol, Portugues



REMARQUE:

Lisez attentivement ce manuel avant d'installer ou d'utiliser votre nouveau climatiseur. Assurez-vous de conserver ce manuel.

22.AW.XDAW.R32.IM.ML.23.11

CONTENTS

- 1 - Generalities3
- 2 - Presentation4
- 3 - Installation6
- 4 - Electrical wiring diagrams11

REGULATION (EU) No. 517/2014 - F-GAS

The unit contains R32, a fluorinated greenhouse gas with a global warming potential (GWP) of 675.
Do not release R32 into the atmosphere.

R32: 0,39 kg / 0,26 Tonn. CO2 eq.

Power Supply:
220 - 240 V ~ / 1 / 50 Hz



The unit contains R32, a slightly flammable gas.



Before installing the unit, read this installation manual and strictly follow all safety instructions. Always contact an Airwell Service Center.



Any repair must be performed by qualified personnel, following the instructions contained in the manufacturer's technical manual.

IMPORTANT

- Do not try to accelerate the defrosting process or to clean the appliance in different ways other than those recommended by the manufacturer.
- The unit has to be stored in a room that doesn't have any continuously operating ignition sources (for example: open flames, an operating gas appliance or an operating electric heater).
- Do not pierce or burn the unit.
- Be aware that refrigerants do not have any odour.
- This unit has to be installed, operated and stored in a room with a floor area larger than 3m². The room must be well ventilated.

IN CASE OF MAINTENANCE OF THE REFRIGERANT CIRCUIT

- The installer must be in possession of the F-GAS certification without any integration.
- The installer must have the appropriate equipment (vacuum pump and recuperator) certified for R32.

IMPORTANT!

Please read before installation

This air conditioner meets strict safety and operating standards. For the installer or service person, it is important to install or service the air conditioner so that it operates safely and efficiently.



WARNING

This symbol refers to a hazard or unsafe practice which can result in severe personal injury or death.



CAUTION

This symbol refers to a hazard or unsafe practice which can result in personal injury or product or property damage.

Recommendations

- The personnel responsible for receiving the air conditioner must conduct a visual inspection in order to identify all damage to which it may have been subjected during transport: refrigerating circuit, electrical cabinet, chassis and cabinet.

For safe installation and trouble-free operation, you must:

- Carefully read this instruction booklet before beginning.
- Follow each installation or repair step exactly as shown.
- Observe all local, state and national electrical (and safety) codes.
- Pay close attention to all warning and caution notices given in this manual.
- Supply the unit with a dedicated electrical line.
- Make install the unit by qualified personnel.
- Before installation, check that the voltage of the electric supply in your home or office is the same as the voltage shown on the nameplate.
- The installation of a double-pole switch, protected by 10 A fuses of the delayed type, upstream the electricity wall socket, is recommended.
- **WARNING!**
The air conditioner is provided with a time-guard system, which does not allow re-starting of compressor until after 3 minutes from a previous stop.

If necessary, get help

These instructions are all you need for most installation sites and maintenance conditions. If you require help for a special problem, contact our sale/service outlet or your certified dealer for additional instructions.

In case of improper installation

The manufacturer shall in no way be responsible for improper installation or maintenance service, including failure to follow the instructions in this document.



WARNING

When wiring

- ELECTRICAL SHOCK CAN CAUSE SEVERE PERSONAL INJURY OR DEATH.
ONLY QUALIFIED, EXPERIENCED ELECTRICIANS SHOULD ATTEMPT TO WIRE THIS SYSTEM.
- Do not supply power to the unit until all wiring are completed or reconnected and checked, to ensure the grounding.
 - Highly dangerous electrical voltages are used in this system. Carefully refer to the wiring diagram and these instructions when wiring.
Improper connections and inadequate grounding can cause accidental injury and death.
 - **Ground the unit** following local electrical codes.
 - The Yellow/Green wire cannot be used for any connection different from the ground connection.
 - Connect all wiring tightly. Loose wiring may cause overheating at connection points and a possible fire hazard.
 - Do not allow wiring to touch the refrigerant tubing, compressor, or any moving parts of the fan.
 - Do not use multicore cable when wiring the power supply and control lines. Use separate cables for each type of line.

When transporting

Be careful when picking up and moving the unit. Get a partner to help, and bend your knees when lifting to reduce strain on your back. Sharp edges or thin aluminium fins on the unit can cut your fingers.

When installing

Make sure the wall is strong enough to hold the unit weight. It may be necessary to build a strong wooden or metal frame to provide added support.

1 - GENERALITIES

OPERATING CONDITIONS

OPERATING LIMITS		
COOLING		
MAXIMUM CONDITIONS	OUTDOOR TEMPERATURE ROOM TEMPERATURE	43°C D.B. 30°C D.B.
MINIMUM CONDITIONS	OUTDOOR TEMPERATURE ROOM TEMPERATURE	-10°C D.B. 16°C D.B.
HEATING		
MAXIMUM CONDITIONS	OUTDOOR TEMPERATURE ROOM TEMPERATURE	24°C D.B. 30°C D.B.
MINIMUM CONDITIONS	OUTDOOR TEMPERATURE INDOOR ROOM	-15°C D.B. 16°C D.B.

SPECIAL PRECAUTIONS

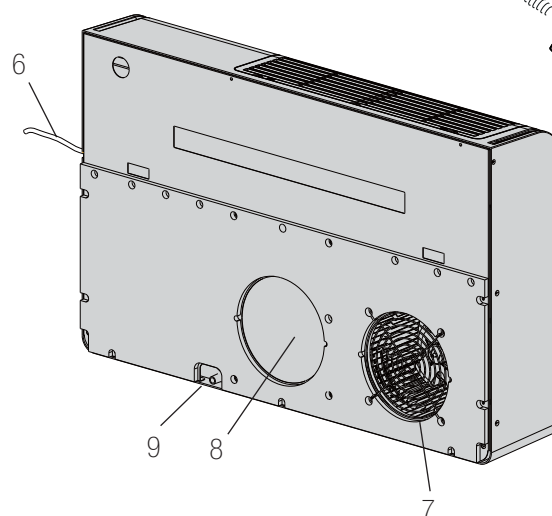
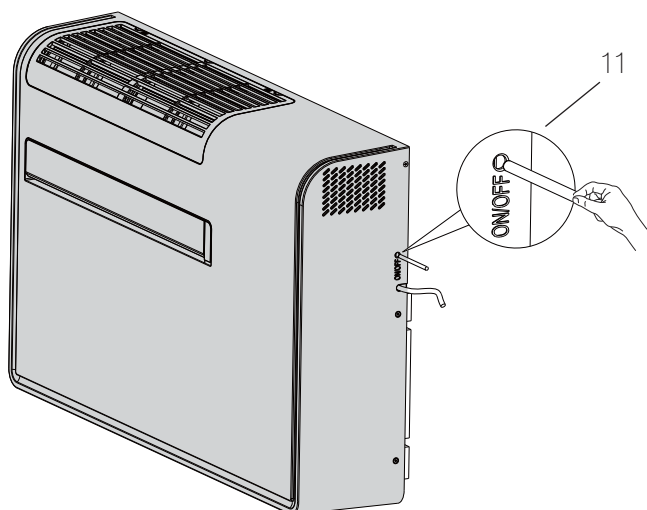
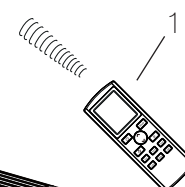
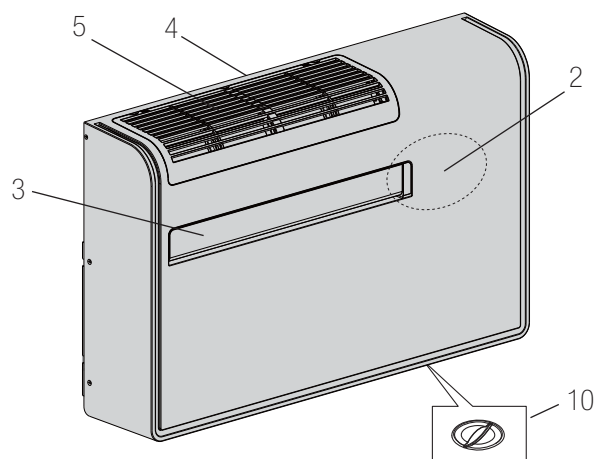
- Clean only with neutral detergents.
- Do not place objects on the unit.
- Do not pour liquids on the unit.

2 - PRESENTATION

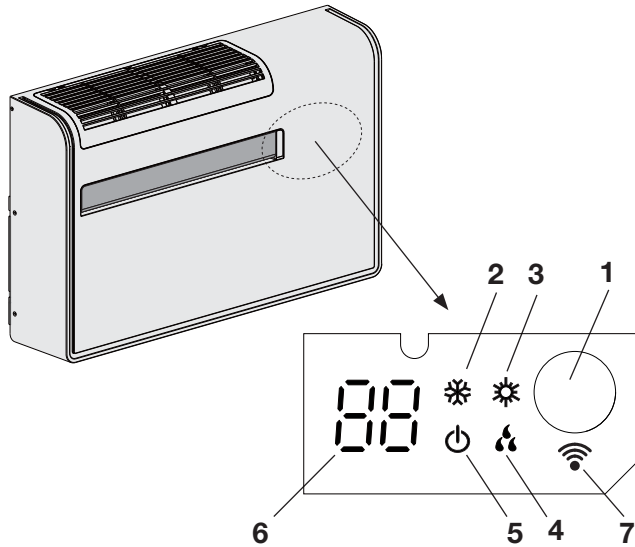
EN

2.1 - DESCRIPTION OF THE PARTS

1. Wireless remote control unit
2. Signaling LEDs and receiver
3. Supply air deflector
4. Air intake grille (removable)
5. Air filter
6. Electric cable with plug
7. Air inlet hole with fan
8. Air outlet hole
9. Condensate discharge
10. Service cap for emergency condensate discharge
11. Operation button



2.2 - SIGNALING LEDs




1. **Receiver** : it receives signals transmitted from the remote control.
2. **COOLING LED**: This LED lights up when the air conditioner is operating in cooling mode.
3. **HEATING LED**: This LED lights up when the air conditioner is operating in heating mode.
4. **DEHUMIDIFICATION LED**: This LED lights up when the air conditioner is operating in dehumidification mode.
5. **STANDBY LED**: This LED lights up when you switch off the air conditioner with the remote control and it indicates also the WIFI status during unit's operation.
6. **DIGITAL DISPLAY**: it can display information such as set temperature, ambient temperature, coil temperature, status, fault code, etc.
7. **WIFI**: This LED lights up when the air conditioner is operating in WIFI mode.



WARNING

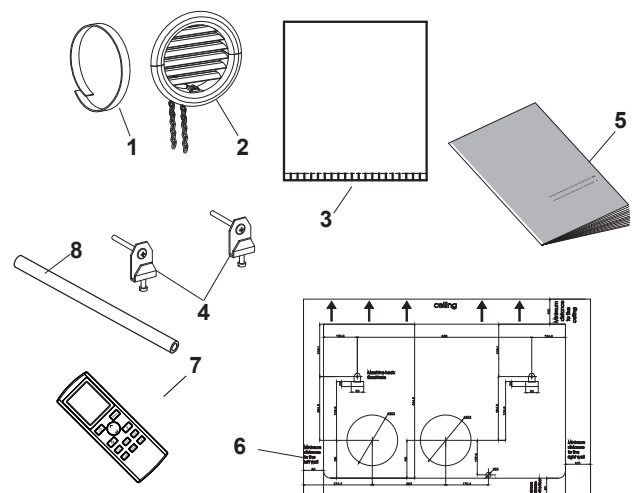
The OFF position does not disconnect the power. Use the main power switch to turn off power completely.

NOTES

- It is possible to set the air conditioner in order to switch OFF all LEDs, even during operation, by pressing the LIGHT button on the remote control unit.
If the symbol  on remote control display is on, the air conditioner display will be on; if the symbol is off, the air conditioner display will be off.
- In case of troubleshooting the air conditioner diagnostic system activates the lamps accordingly, even if they are set to OFF. See paragraph TROUBLESHOOTING for further details.

2.3 - ACCESSORIES SUPPLIED WITH THE UNIT

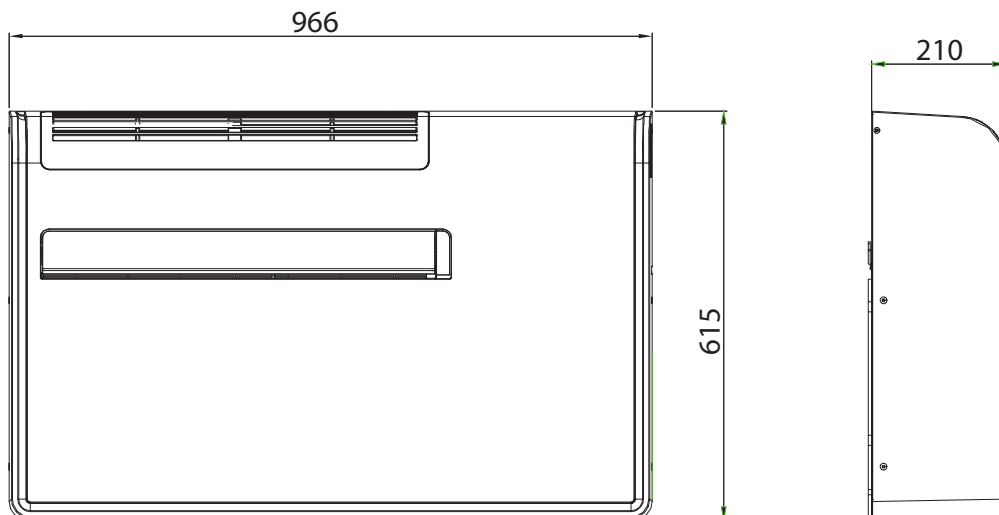
1. Strip of adhesive isolating tape (2pcs.)
2. Air inlet and outlet external grids including chains and kit for installing the grids (2+2 pcs.)
3. Plastic sheet (2pcs.)
4. Wall anchoring brackets (4pcs.)
5. Operating and installation instructions
6. Paper drilling template
7. Remote control
8. Condensate discharge pipe



2.4 - DIMENSIONS AND WEIGHT

EN

Model	Weight (kg)
XDA	36



Unit: mm

3 - INSTALLATION

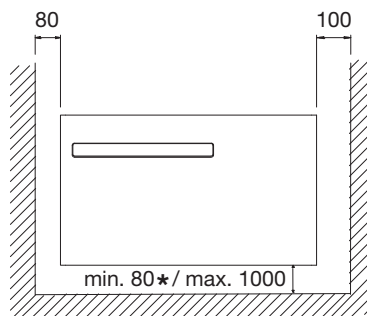
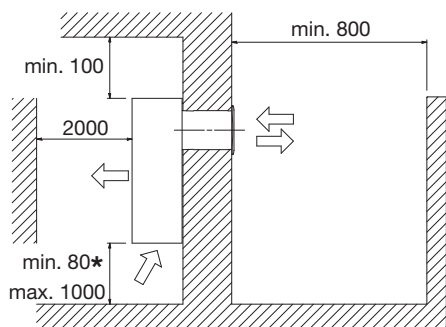
3.1 - INSTALLATION SITE SELECTION

AVOID

- Proximity to heat sources, exhaust fans.
- Proximity to combustible materials.
- Direct sunlight.
- Locations where the unit could be splashed with water or affected by dampness or humidity (i.e. in laundries).
- Unsteady locations that will cause noise or possible water leakage.

IMPORTANT NOTES

- The wall must be a perimeter one.
- Select a sufficiently strong wall to support the weight of the unit.
- Fix the unit at a minimum height of 8 cm.
- Leave a minimum operation and maintenance area around the unit.(See figure).
- Make sure that there are no obstacles around the unit affecting the free circulation of air (curtains,furniture,...).
- Avoid installing the unit with the air flow directly towards people, electric appliances or heat sources.
- It should not be installed directly above another appliance (television set, radio, refrigerator, etc.).



Unit: mm

***Warning!** To facilitate the condensate drain from the service cap, however, it is advisable to install the unit at a minimum height of 300mm



CAUTION

After the selection of the installation site, according to the above mentioned points, be sure not to make holes in areas where electrical wiring or conduits are located, damaging them.

Make sure that there are no obstacles in the conduits inside the wall affecting the free circulation of the external air. The minimum distance from any wall or obstacle should be min. 80 cm.

3.2 - HOW TO INSTALL THE UNIT

- Apply at the wall the paper drilling template, fix and level it. (Fig. 1)
- Drill the two holes for air (A) as shown on the drilling template; drill the hole (B) for the condensate drainage toward the outside (assure a positive slope toward the outside - Fig. 2).
- Next, drill the holes for anchoring the fastening brackets (C) to the wall using the 2 holes for anchoring hooks as shown on the drilling template.
- Next, drill the 4 holes (D) to fix the external grid chains.

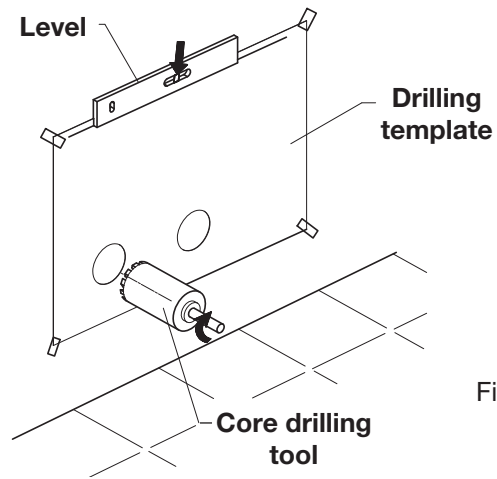


Fig. 1

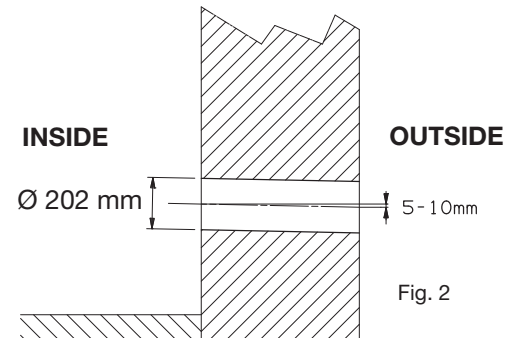
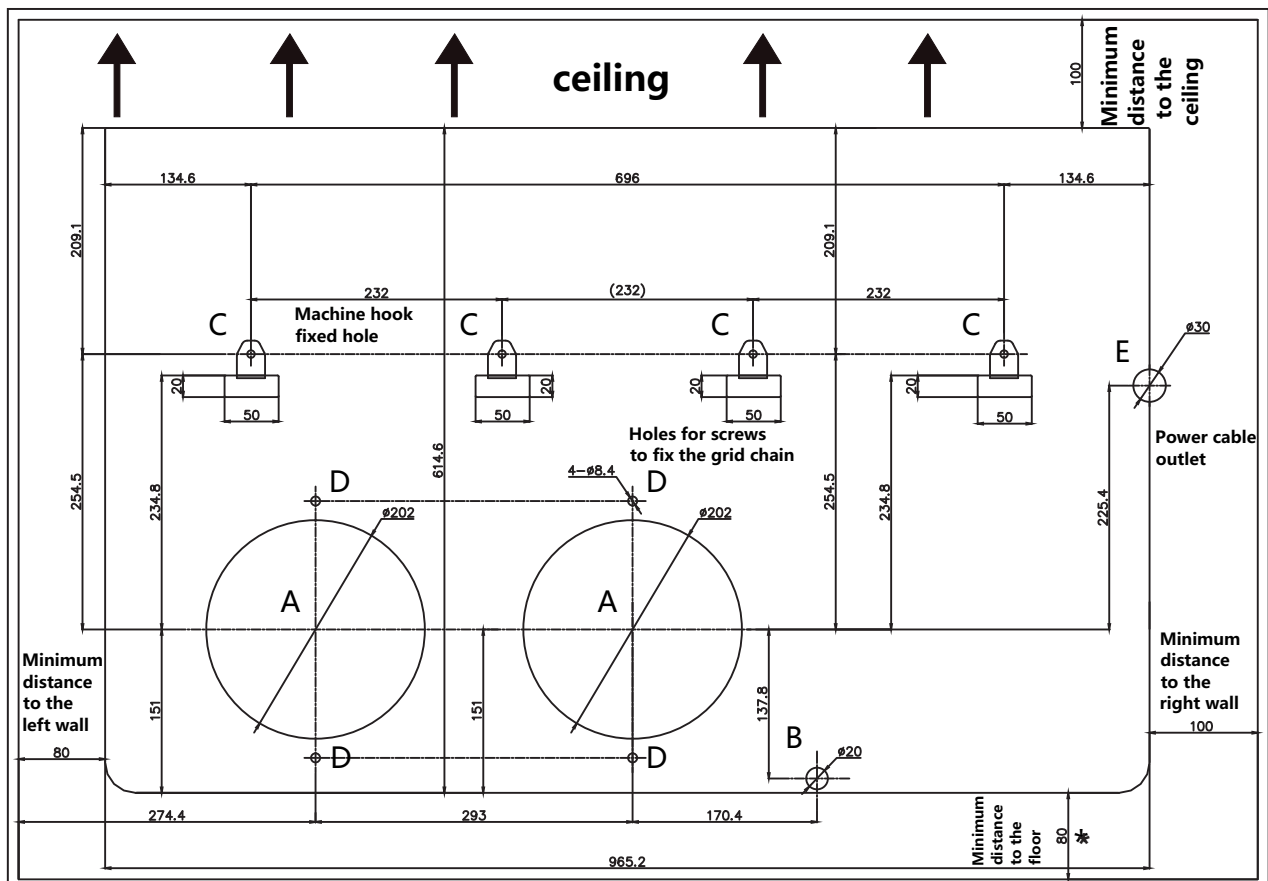


Fig. 2

- A Holes for air Ø 202 mm
- B Hole for condensate discharge Ø 20 mm
- C Holes for wall anchoring Ø 10 mm
- D Holes for screws to fix the grid chains
- E Hole for power cable outlet

PAPER DRILLING TEMPLATE





SPECIAL CAUTION WHEN DRILLING AIR HOLES IN THE WALL

- Drill the wall using the proper tools in order to facilitate your job and prevent damage.
- The best tools for drilling large holes in walls are special drills called core borers with very high twisting torque and adjustable rotating speed depending on the diameter of the hole to be drilled.
- It is possible to connect the core borer to a vacuum system, in order to prevent excessive dust.
- Pay attention that the removed material (expelled outwards) does not hit any person or object when it falls out.

NOTES FOR THE WALL ANCHORING BRACKETS

- If the wall is not very solid, it is advisable to use some extra anchor bolts.
- The majority of the weight of the appliance is to the right side, so ensure that fixing is more secure on this side.
- The anchor rawlplugs provided require holes with a diameter of 10 mm.
- Anyway, please chose the best possible anchorage according to the type of wall.

- Fold the wings of the supplied plastic sheet (fig.3).

Cut to size the plastic sheets in order to obtain, by rolling them (Fig.4), two tubes of the right size (it is necessary to measure the thickness of the wall and subtract 40 mm in order to leave enough space to the grids).

- Insert in the two holes the obtained plastic tubes, paying attention to the splicing line (Fig. 5), which must always face upwards.

Cut the tube to the right length on the other side of the wall. (Fig. 6)

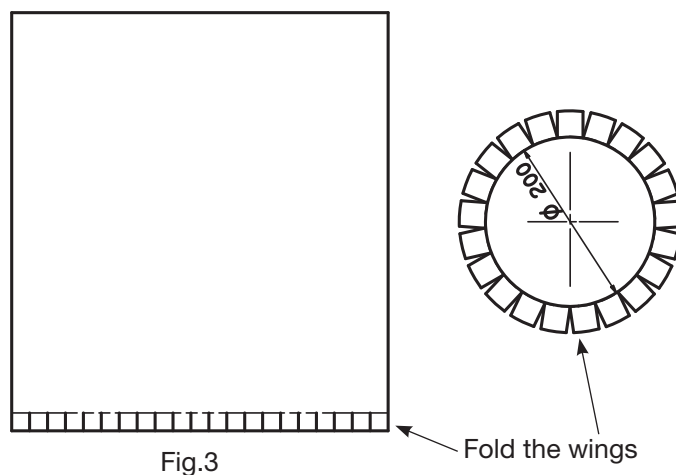


Fig.3

Fold the wings

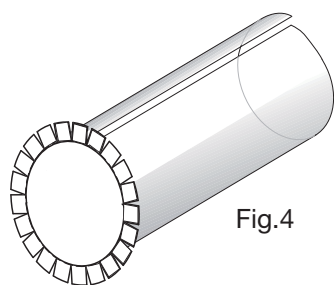


Fig.4

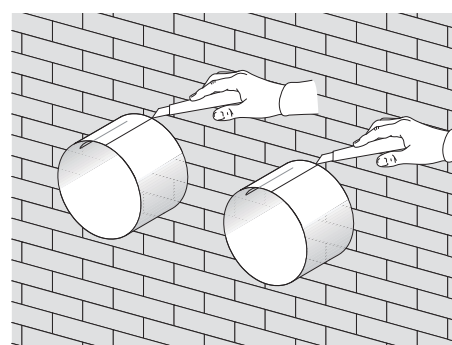


Fig. 6

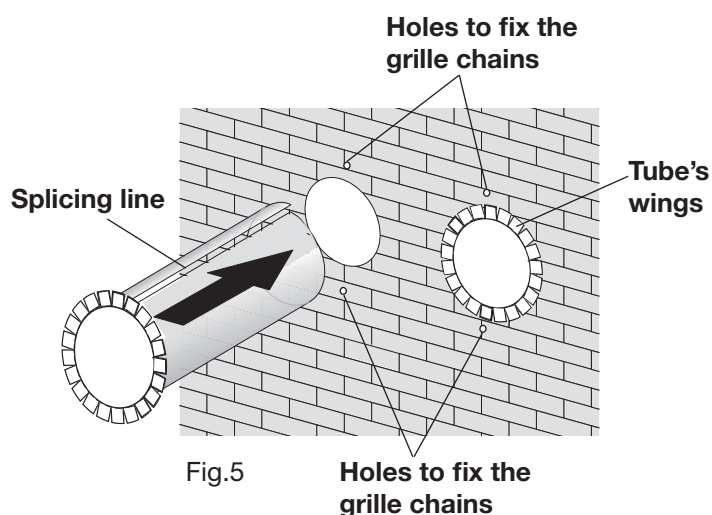


Fig.5

Holes to fix the grille chains

NOTES

- The supplied plastic sheet can be used for wall thickness up to 50 cm.
- The maximum length allowed for pipes is 1 m.
- In case you buy the plastic pipes, they must be smooth inside.
- Pipes cannot be curved or bent.

- Fix the two external grids as follows:
 - Apply the adhesive insulating tape (Fig. 7) on the tubes' wings at the wall. (Fig. 5)
 - Fit the small eyelet of the spring, with the long stem, on the cap pin (2 caps + 2 springs for each grid). Fig. 8
 - Insert the two caps (with spring), on the front part of the external grid, on its two housings, pulling until it clicks. (fig. 9)
 - Cut the two supplied chains to obtain 4 pieces (2 pieces per grid).
 - Couple the two chains to the large eyelet of the spring.
 - Using one hand, grip the two chains connected to the grid.
 - Bend the external grids back, gripping them with your free hand where they bend, and insert your fingers inside the single fins. (Fig. 10)
 - Insert your arm into the pipe until the grid protrudes completely outwards.
 - Reopen the grid, being careful to keep your fingers inside the fins.
 - Turn the grid until the fins are fully horizontal and tilted downwards.
 - Pull the chain, tensioning the spring, and fix the chain rings into the holes in the wall (fig. 5 - 7) using the supplied screws with washer.
 - Use hand shears to cut off any excess chain links.

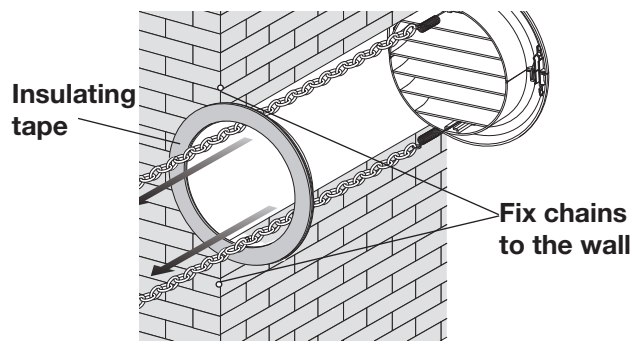


Fig. 7

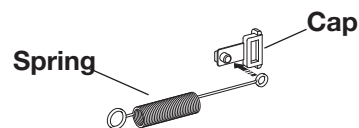


Fig. 8

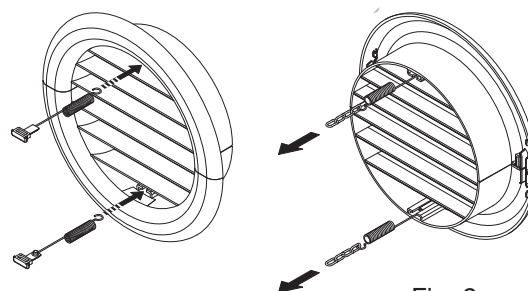


Fig. 9

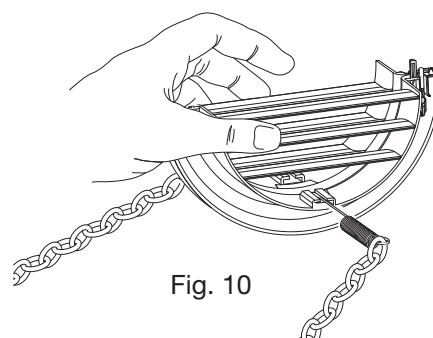


Fig. 10

NOTE

It is necessary to use the grids provided, or grids which have the same features.

3-2 PREPARING THE CONDENSATE DISCHARGE

Connect the unit to the condensate discharge supplied pipe by coupling it with the specific vent (fig. 11 - **A**) that is on the back of the unit (remove cap **B**).

When the water level reaches its maximum level, condensate will flow out of the chassis hole.

Since condensate drains by gravity, there must be a minimum slope of at least 3% at every point of the discharge line. In case you do not use the supplied pipe, please chose a rigid or flexible pipe having an inside diameter of at least 16 mm.



CAUTION

Make sure that the water expelled outwards does not damage or disturb persons or property. During the winter this type of drainage may cause sheets of ice to form. When the condensate discharge is fitted, pay much attention not to compress the pipe.

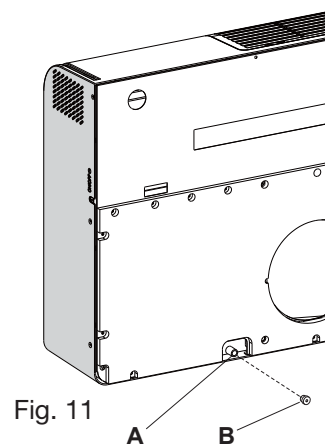


Fig. 11

- Hang up the unit at the anchoring brackets by simultaneously inserting the condensate discharge pipe into the wall hole.

Lift it by holding it from the sides of the lower base.

To facilitate the operation of fastening it to the bracket, tilt it slightly towards you.

To make the electrical connection and fasten the discharge pipe, place a wedge between the air conditioner and the wall.

When you have finished, inspect carefully to make sure there are no fissures at the back of the air conditioner (the insulating gasket must fit firmly against the wall) particularly in the zone of the grids. (Fig. 12-13)

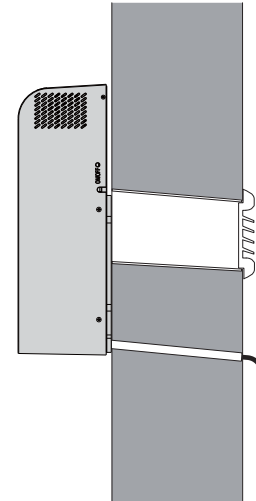


Fig. 12

- If the socket is in proximity to the appliance, simply plug it in.

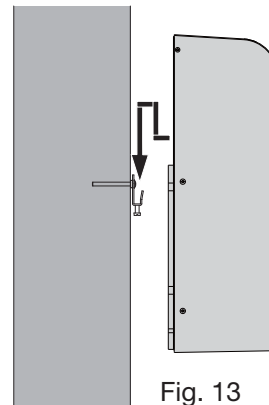
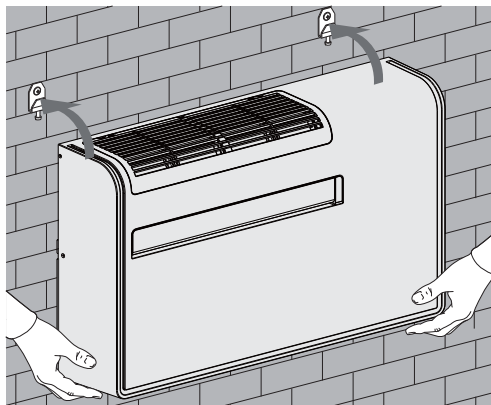


Fig. 13

3-3 - ELECTRICAL CONNECTION

The air conditioner is equipped with a power cable with plug (the electrical connection of the unit is Y type with cable prepared in a special way; any replacement must only be carried out by the authorized Service Center).



CAUTION

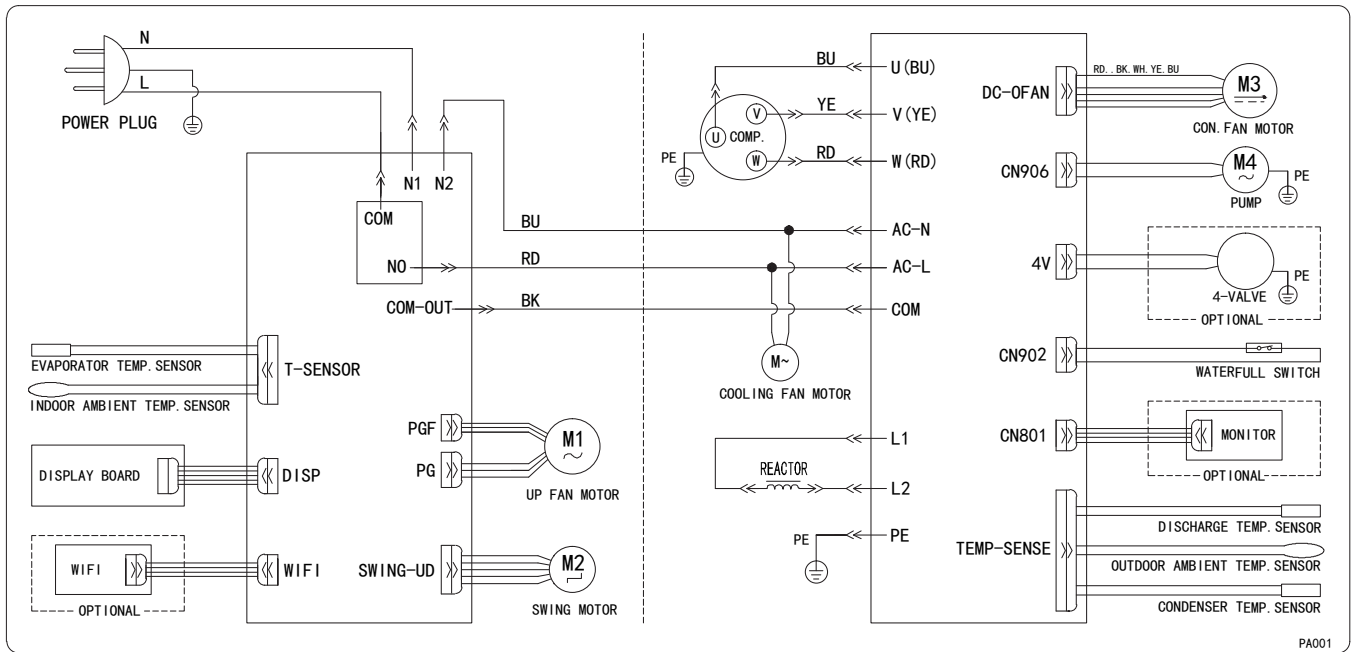
Before connecting the air conditioner, be sure that:

- The voltage of the main power supply is the same as the voltage shown on the nameplate.
- The power supply line has a ground connection and it is correctly sized for maximum electrical input of the air conditioner (minimum cable cross-section: 1,5mm²).
- The air conditioner is powered only through a socket compatible with the plug supplied.

Main switch for disconnection from the supply line must have a contact separation in all poles that provides full disconnection under category III overvoltage conditions.

4 - ELECTRICAL WIRING DIAGRAM

EN



Colour of the wires

BK	Black
BN	Brown
BU	Blue
GN	Green
RD	Red
WT	White
YE	Yellow

SOMMAIRE

1 - Généralités	3
2 - Présentation	4
3 - Installation	6
4 - Schéma électrique	11

FR

REGLEMENT (UE) n ° 517/2014 RELATIF AUX GAZ À EFFET DE SERRE

L'appareil contient R32, un gaz fluoré à effet de serre, avec un potentiel de réchauffement global (PRG) de 675. Ne déchargez pas de R32 dans l'atmosphère.

R32: 0,39 kg / 0,26 Tonn. CO2 eq.

Alimentation électrique:

220 - 240 V ~ / 1 / 50 Hz



L'unité contient R32, un gaz légèrement inflammable.



Avant d'installer l'unité, lisez ce manuel d'installation et suivez scrupuleusement les consignes de sécurité. Toujours contacter un centre de service Airwell.



Toute réparation doit être effectuée par un personnel qualifié, en suivant les instructions contenues dans le manuel technique du fabricant.

IMPORTANT

- Ne pas utiliser d'autres moyens pour accélérer le processus de dégivrage ou pour nettoyer, autres que ceux recommandés par le fabricant.
- L'unité doit être placée dans une pièce sans source d'alimentation continue (par exemple: flammes nues, un appareil à gaz en marche ou un appareil de chauffage électrique en marche).
- Ne pas percer, ne pas brûler l'unité.
- Attention! Les réfrigérants n'ont aucune odeur.
- Cette unité doit être installée, mise en service et entretenue dans une pièce de plus de 3m². La pièce doit être bien ventilée.

EN CAS DE MAINTENANCE SUR LE CIRCUIT DE REFROIDISSEMENT

- L'installateur doit avoir la certification F-GAS sans aucune intégration.
- L'installateur doit disposer de l'équipement approprié (pompe à vide et récupérateur) certifié pour R32.

IMPORTANT !

Veillez lire ce qui suit avant de commencer

Ce climatiseur répond à des normes strictes de fonctionnement et de sécurité.

En tant qu'installateur ou ingénieur de maintenance, une partie importante de votre travail consiste à installer ou entretenir le climatiseur de manière à ce qu'il fonctionne efficacement et en toute sécurité.



AVERTISSEMENT

Ce symbole fait référence à une pratique dangereuse ou imprudente qui peut entraîner des blessures ou la mort.



PRUDENCE !

Ce symbole fait référence à une pratique dangereuse ou imprudente qui peut entraîner des blessures ou des dégâts matériels, soit à l'appareil, soit aux installations.

Recommandations

- Le personnel chargé de la réception du climatiseur, devra faire un contrôle visuel pour mettre en évidence tout dommage qu'il aurait pu subir pendant le transport : circuit frigorifique, coffret électrique, châssis et carrosserie.

Pour effectuer une installation sûre et obtenir un fonctionnement sans problème, il vous faut:

- Lire attentivement cette brochure d'information avant de commencer.
- Respecter les consignes à chaque étape de l'installation ou de la réparation.
- Respecter toutes les réglementations électriques (et de sécurité) locales, régionales et nationales.
- Observer toutes les recommandations de prudence et de sécurité données dans cette notice.
- Utiliser une ligne électrique dédiée pour l'alimentation de l'appareil.
- Faire installer l'appareil par un technicien qualifié.
- Avant l'installation, s'assurer que la tension du réseau d'alimentation de votre maison ou de votre bureau est la même que celle indiquée sur la plaque signalétique de l'unité.
- Nous conseillons l'installation d'un interrupteur bipolaire, avec un fusible de protection de 10 ampères à retardement, en amont de la fiche d'alimentation.
- **ATTENTION!**
Le climatiseur est pourvu d'un système de protection du compresseur contre les surcharges qui l'empêche de fonctionner pendant trois minutes après l'arrêt précédent.

Si nécessaire, demandez que l'on vous prête assistance

Ces instructions suffisent à la plupart des sites d'installation et des conditions de maintenance. Si vous avez besoin d'assistance pour résoudre un problème particulier, adressez-vous à notre service après vente ou à votre revendeur agréé pour obtenir des instructions supplémentaires.

Dans le cas d'une installation incorrecte

Le fabricant ne sera en aucun cas responsable dans le cas d'une installation ou d'une maintenance incorrecte, y compris dans le cas de non-respect des instructions contenues dans ce document.

**AVERTISSEMENT Pendant le câblage**

UNE DÉCHARGE ÉLECTRIQUE PEUT ENTRAÎNER UNE BLESSURE GRAVE OU LA MORT.
SEUL UN ÉLECTRICIEN QUALIFIÉ ET EXPÉRIMENTÉ DOIT EFFECTUER LE CÂBLAGE DE CE SYSTÈME.

- Ne mettez pas l'appareil sous tension tant que tout le système de câbles et de tuyaux n'est pas terminé ou rebranché et vérifié, pour assurer la mise à la terre.
- Des tensions électriques extrêmement dangereuses sont utilisées dans ce système. Veuillez consulter attentivement le schéma de câblage et ses instructions lors du câblage.
Des connexions incorrectes ou une mise à la terre inadéquate peuvent entraîner des blessures ou la mort.
- **Effectuez la mise à la terre de l'appareil** en respectant les réglementations électriques locales.
- Le câble jaune/vert ne peut en aucun cas être utilisé pour toute autre connexion que celle de la mise à la terre.
- Bien fixer les câbles. Un câble mal fixé peut entraîner une surchauffe au point de connexion et présenter un danger potentiel d'incendie.
- Il ne faut en aucun cas laisser les câbles toucher la tuyauterie du réfrigérant, le compresseur ou toute pièce mobile.
- N'utilisez pas de câble multiconducteur pour le câblage des lignes d'alimentation électrique et celles de commande.
Utilisez des câbles séparés pour chaque type de ligne.

Lors du transport

Soyez prudent lorsque vous soulevez et déplacez l'appareil. Demandez à un collègue de vous aider, et pliez les genoux lors du levage afin de réduire les efforts sur votre dos. Les bords acérés ou les ailettes en aluminium mince se trouvant sur l'appareil risquent de vous entailler les doigts.

Lors de l'installation

Assurez-vous que le mur est suffisamment solide pour supporter le poids de l'appareil. Il peut être nécessaire de construire un solide châssis en bois ou en métal pour offrir un support supplémentaire.

1 - GENERALITÀ**CONDITIONS D'UTILISATION**

LIMITES DE FONCTIONNEMENT		
REFROIDISSEMENT		
CONDITIONS MAXIMUM	TEMPERATURE EXTERIEURE TEMPERATURE INTERIEURE	43°C B.S. 30°C B.S.
CONDITIONS MINIMUM	TEMPERATURE EXTERIEURE TEMPERATURE INTERIEURE	-10°C B.S. 16°C B.S.
CHAUFFAGE		
CONDITIONS MAXIMUM	TEMPERATURE EXTERIEURE TEMPERATURE INTERIEURE	24°C B.S. 30°C B.S.
CONDITIONS MINIMUM	TEMPERATURE EXTERIEURE AMBIANCE INTERNE	-15°C B.S. 10°C B.S.

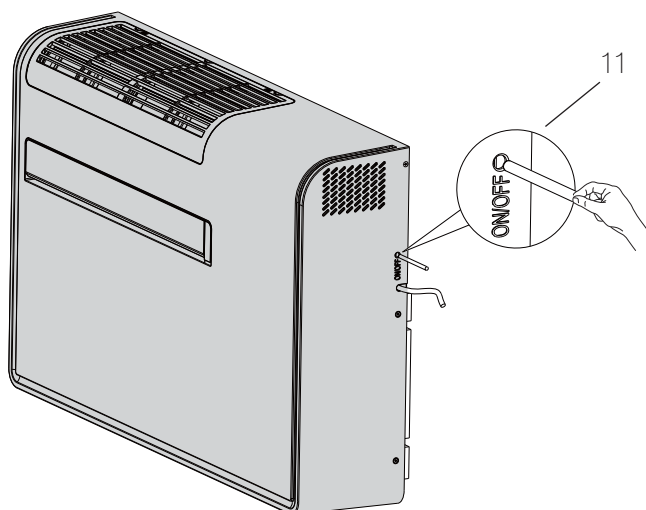
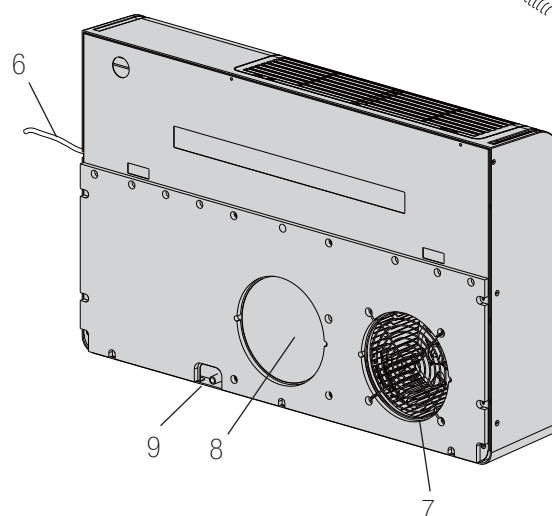
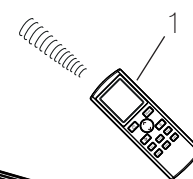
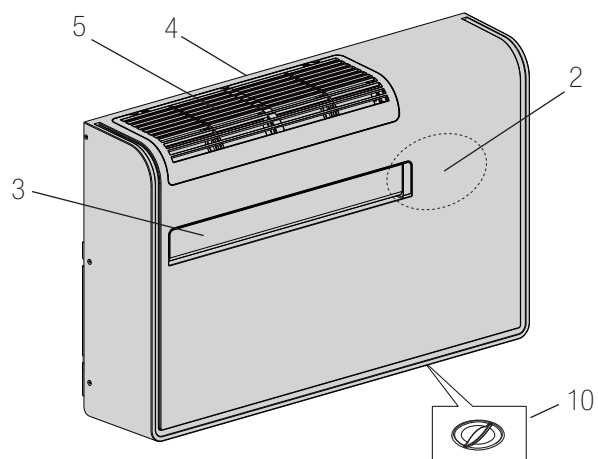
PRÉCAUTION PARTICULIÈRES

- Nettoyer uniquement avec des détergents neutres.
- Ne placez pas d'objets sur l'unité.
- Ne verser pas de liquides sur l'unité.

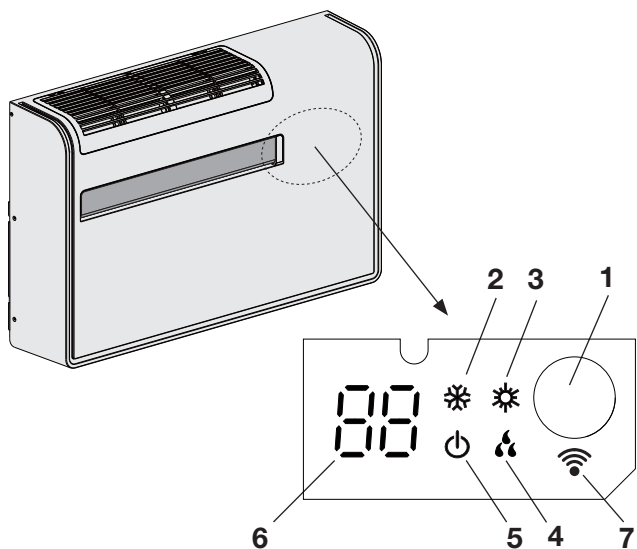
2 - PRÉSENTATION

2.1 - DESCRIPTION DES PIÈCES

1. Télécommande à infrarouge
2. Voyants de signalisation et récepteur
3. Déflecteur de soufflage d'air
4. Grille d'aspiration d'air inférieure (amovible)
5. Filtre à air
6. Câble électrique avec fiche
7. Trou entrée de l'air avec ventilateur
8. Trou d'expulsion de l'air
9. Drainage de condensât
10. Bouchon de service pour drainage de condensât
11. Sélecteur de fonctionnement



2.2 - VOYANTS DE SIGNALISATION



1. **Récepteur** : reçoit les signaux de la télécommande.
2. **Voyant REFROIDISSEMENT**: Ce voyant s'allume lorsque le climatiseur fonctionne en mode refroidissement.
3. **Voyant CHAUFFAGE**: Ce voyant s'allume lorsque le climatiseur fonctionne en mode chauffage.
4. **Voyant DESHUMIDIFICATION**: Ce voyant s'allume lorsque le climatiseur fonctionne en mode déshumidification.
5. **Voyant d'attente (STANDBY)**: Ce voyant s'allume lorsque le climatiseur est éteint avec la télécommande et indique aussi l'état WIFI pendant le fonctionnement de l'unité.
6. **AFFICHAGE NUMERIQUE**: il peut afficher des informations telles que la température définie, la température ambiante, la température de la batterie, l'état, le code d'erreur, etc.
7. **WIFI**: Ce voyant s'allume lorsque le climatiseur fonctionne en mode WIFI.


FR



AVERTISSEMENT

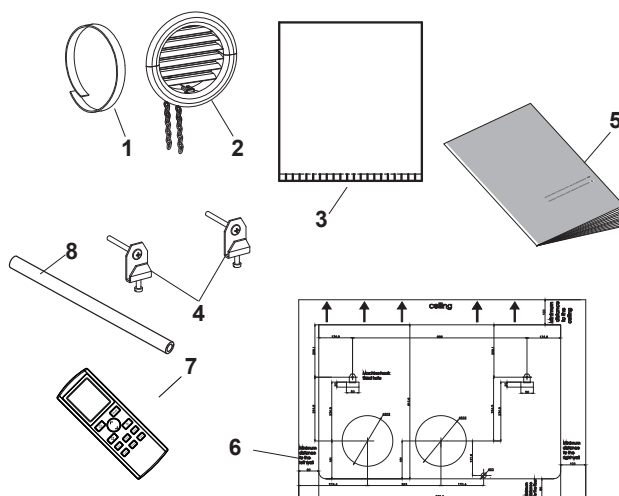
La position OFF ne coupe pas l'alimentation électrique. Pour éteindre complètement le climatiseur, utiliser l'interrupteur principal d'alimentation.

REMARQUES

- Il est possible régler le climatiseur de façon à que tous les voyants soient éteints, même pendant le fonctionnement. en appuyant le bouton LIGHT de la télécommande.
Si le symbole  sur la télécommande est allumé, l'affichage du climatiseur est allumé; si le symbole est éteint, l'affichage du climatiseur est éteint.
- En cas de panne, le climatiseur active les voyants correspondants, même s'ils sont réglés sur la fonction "éteint". Voir paragraphe DEPANNAGE pour détails additionnels.

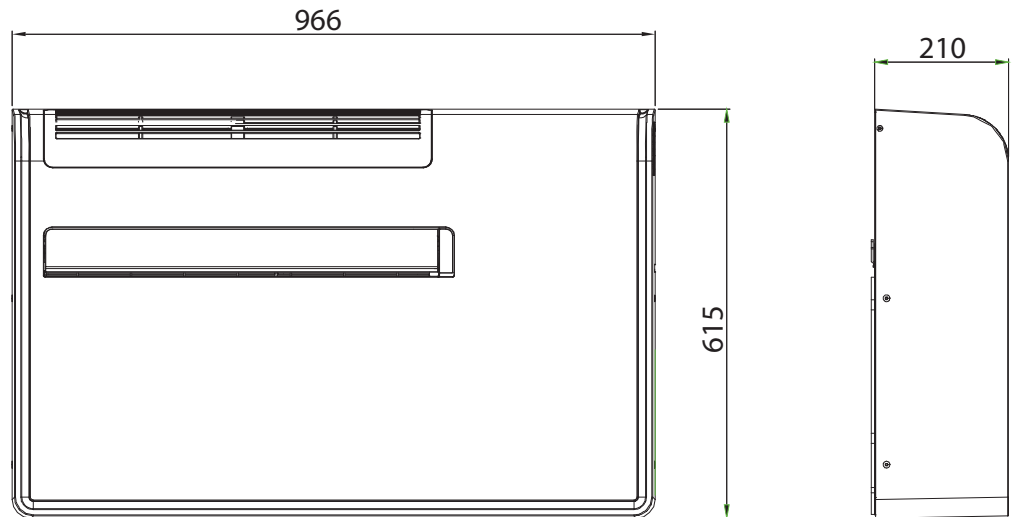
2.3 - ACCESSOIRES LIVRES AVEC L'UNITE

1. Bande de ruban isolant adhésif (2pz.)
2. Grilles extérieures d'entrée et sortie d'air, compris chaînes et kits pour l'installation de grilles (2 pz.)
3. Feuille en plastique (2pz.)
4. Support de suspension (2pz.)
5. Notice d'utilisation et installation
6. Support de perçage
7. Télécommande
8. Tuyau de vidange de condensât



2.4 - DIMENSIONS ET POIDS

Modèle	Poids (kg)
XDAW	36



Unit: mm

3 - INSTALLATION

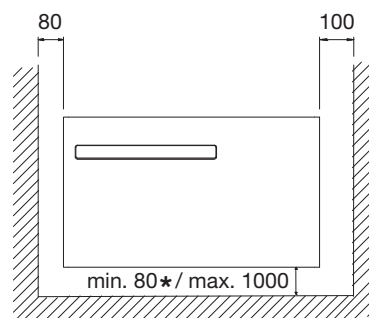
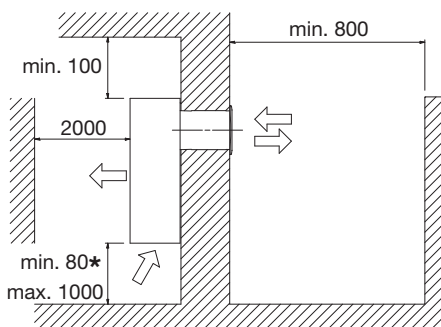
3.1 - EMBLACEMENT D'INSTALLATION

EVITER ÉVITEZ

- La proximité de sources de chaleur, ventilateurs d'évacuation, etc.
- La proximité de matériaux combustibles.
- La lumière directe du soleil.
- Les emplacements où l'unité peut être éclaboussées par de l'eau ou soumise aux effets de l'humidité (par exemple dans la buanderie).
- Les emplacements où une assise manquant de stabilité pourrait occasionner des vibrations, des bruits et des fuites d'eau.

REMARQUES IMPORTANTES

- La paroi doit être périmétrale.
- Assurez-vous que la paroi choisie soit suffisamment solide pour supporter le poids de l'unité.
- Fixer l'unité à une hauteur minimum de 8 cm.
- Laisser une surface minimum de fonctionnement et d'entretien autour de l'unité. (V. figure).
- Assurez-vous que l'air puisse circuler librement autour de l'unité.
- Eviter d'installer l'unité avec le flux d'air directement vers les personnes, les appareils électroménagers ou les sources de chaleur.



Unit: mm

***Avertissement! Pour faciliter l'évacuation des condensats du bouchon de service, il est toujours conseillé d'installer l'unité à une hauteur minimale de 300 mm**



PRUDENCE !

Après avoir choisi, selon les critères ci-dessus énumérés, l'emplacement d'installation, assurez-vous que dans la paroi où vous ferez les trous, il n'y a pas des câbles électriques ou des conduits qui pourraient être endommagés.

Vérifier aussi qu'il n'y est pas d'obstacles à la libre circulation de l'air extérieur dans les tuyaux dans la paroi. D'éventuels obstacles à l'entrée et à la sortie de l'air devront être distants de 80 cm minimum.

3.2 - COMMENT INSTALLER L'UNITÉ

- Placer le support de perçage et le mettre de niveau. (Fig. 1)
- Faire le deux trous pour l'air (A) comme indiqué sur le support de perçage; faire le trou (B) pour le drainage du condensât à l'extérieur (assurer une pente vers l'extérieur - Fig. 2).
- Ensuite, faire les trous pour les supports de suspension (C) dans le mur en utilisant les 2 trous pour les supports comme indiqué sur le support de perçage.
- Ensuite, faire 4 trous (D) pour fixer les chaînes des grilles.

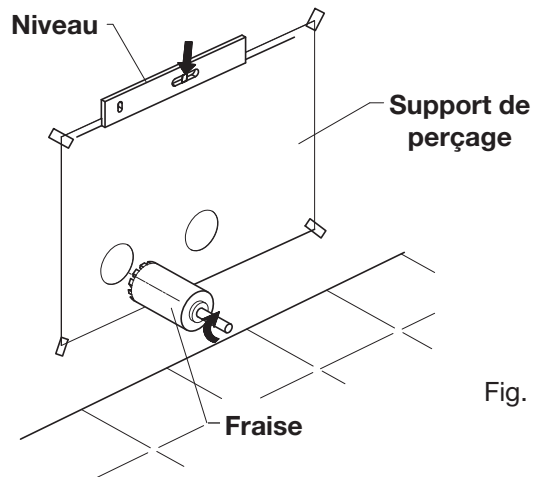


Fig. 1

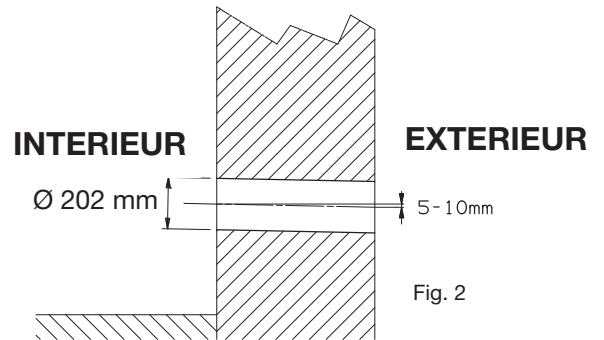
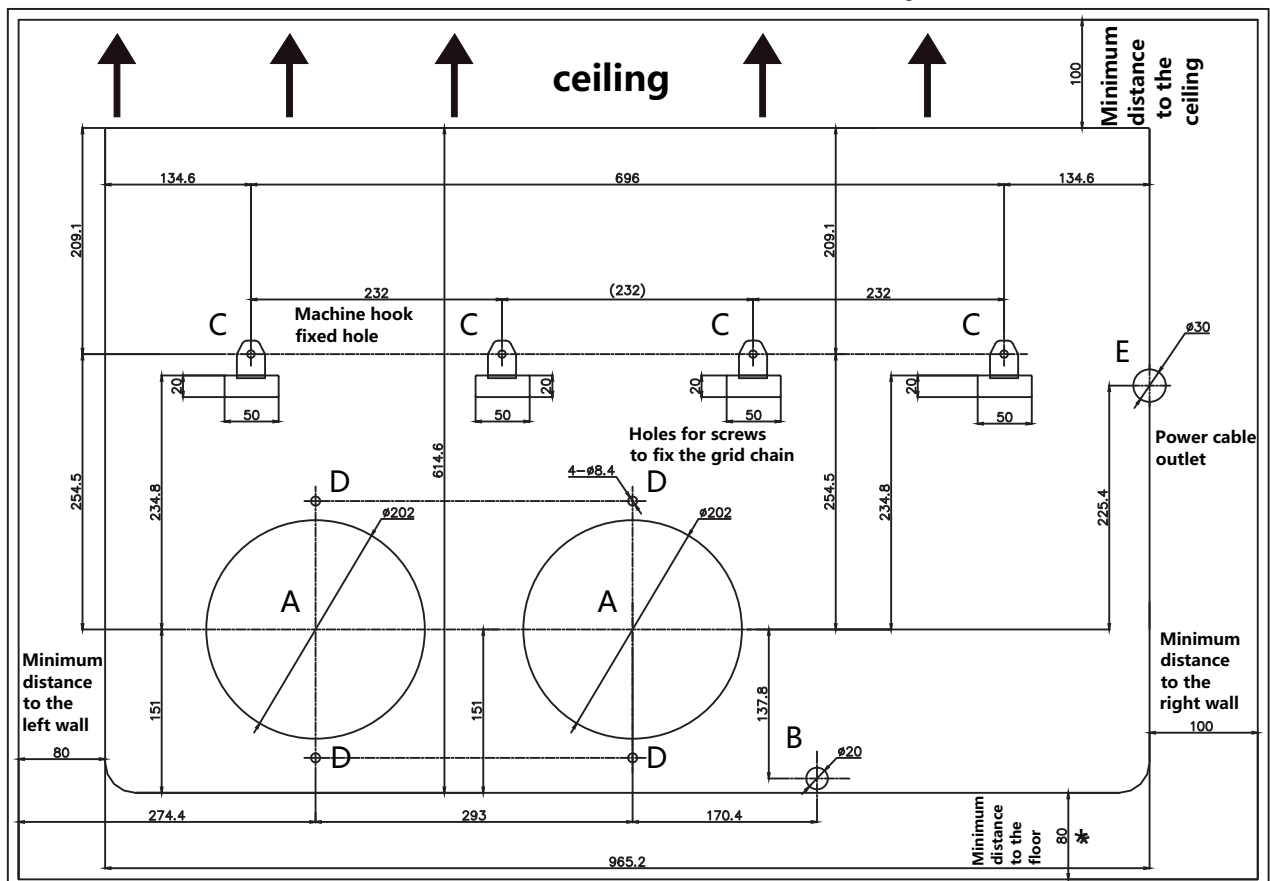


Fig. 2

- A** Trous pour air Ø 202 mm
- B** Trou pour vidange de condensat Ø 20 mm
- C** Trous pour supports de suspension Ø 10 mm
- D** Trous pour vis de fixation chaînes des grilles
- E** Trou pour la sortie du câble d'alimentation

SUPPORT DE PERÇAGE





PRUDENCE !

PRÉCAUTIONS SPÉCIALES PENDANT L'EXÉCUTION DES TROUS POUR L'AIR DANS LE MUR

- Percer le mur à l'aide des outils appropriés pour faciliter le travail et éviter les dommages.
- Les meilleurs outils pour faire de grands trous dans les murs sont des forets spéciaux appelés carottiers avec un couple très élevé et une vitesse de rotation réglable en fonction du diamètre du trou à percer.
- Il est possible de connecter le carottier à un système d'aspiration, afin d'éviter une poussière excessive.
- Assurez-vous que le matériau retiré (éjecté vers l'extérieur) ne heurte pas les personnes ou les objets lorsqu'il tombe.

NOTES POUR LES SUPPORTS DE SUSPENSION

- Si le mur n'est pas très solide, il est recommandé d'utiliser des boulons d'ancrage supplémentaires.
- La majeure partie du poids de l'appareil est du côté droit, alors assurez-vous que la fixation est plus sûre de ce côté.
- Les chevilles d'ancrage fournis nécessitent des trous d'un diamètre de 10 mm.
- Cependant, veuillez choisir le meilleur ancrage possible en fonction du type de mur.

- Pliez les languettes de la feuille de plastique fournie (fig.3).

Couper à la taille les feuilles de plastique fournis pour obtenir, en les roulant, deux tubes de la bonne taille (il est nécessaire de savoir l'épaisseur du mur et soustraire 40 mm pour laisser l'espace nécessaire pour les grilles).

- Introduire dans les deux trous les tuyaux en plastique obtenus, en faisant attention à la ligne d'épissage (Fig.5), qui doit toujours être tournée vers le haut.

Coupez le tuyau à la bonne longueur de l'autre côté du mur. (Fig. 6)

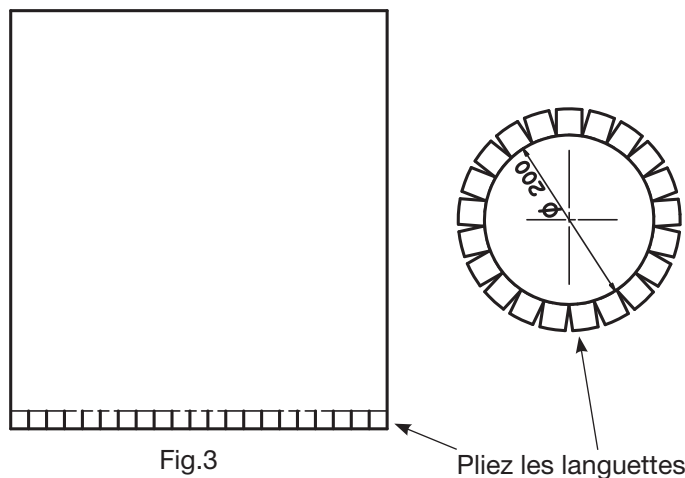


Fig.3

Pliez les languettes

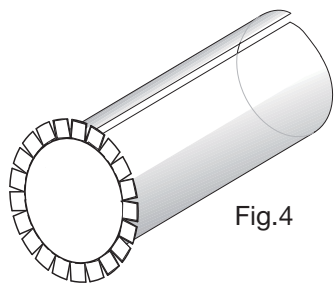


Fig.4

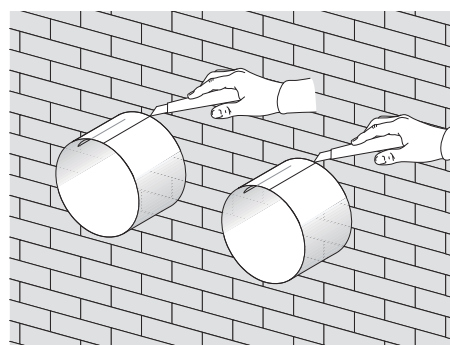


Fig. 6

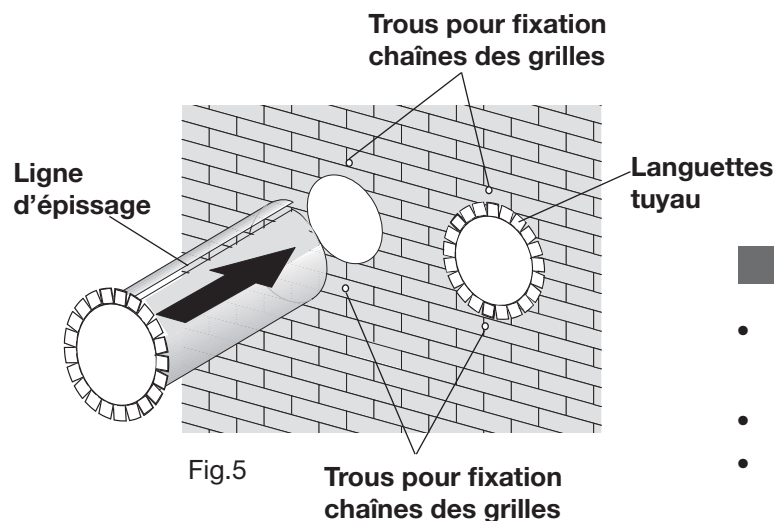


Fig.5

Trous pour fixation chaînes des grilles

NOTE

- la feuille en plastique fournie est adaptée pour des parois jusqu'à 50 cm d'épaisseur.
- La longueur maximum admissible est 1 m.
- Si vous achetez les tuyaux en plastique, ils doivent être lisses à l'intérieur.
- Les tubes ne peuvent pas être courbés ou pliés.

- Fixez les deux grilles externes, comme suit:
 - Appliquez le ruban isolant adhésif (Fig.7) sur les languettes du tuyau au mur. (Fig. 5)
 - Insérez l'œillet le plus petit du ressort sur le capuchon en plastique de la grille (2 capuchons + 2 ressorts pour chaque grille). Fig. 8
 - Insérez les deux capuchons (avec ressort), dans la partie avant de la grille externe, dans leurs logements, en tirant jusqu'à ce qu'ils s'enclenchent. (Fig. 9)
 - Coupez les deux chaînes fournies pour obtenir 4 pièces (2 pièces par grille).
 - Accrochez les chaînes au grand œillet du ressort.
 - D'une main, saisissez les deux chaînes reliées à la grille.
 - Repliez les grilles externes en les saisissant avec votre main libre où elles se replient et insérez vos doigts à l'intérieur des lamelles individuelles. (Fig. 10)
 - Insérez le bras dans le tube jusqu'à ce que la grille dépasse complètement vers l'extérieur.
 - Rouvrez la grille, en prenant soin de garder vos doigts à l'intérieur des lamelles.
 - Faites pivoter la grille jusqu'à ce que les lamelles soient complètement horizontales et inclinées vers le bas.
 - Tirez la chaîne, en tenant le ressort et fixez les anneaux de chaîne dans les trous du mur (fig. 5 - 7); utilizzare le viti con rondella fornite.
 - Coupez tout maillon de chaîne en excès.

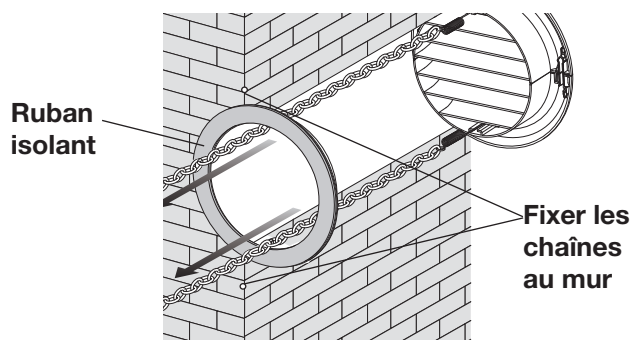


Fig. 7

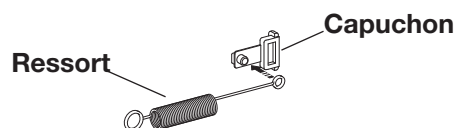


Fig. 8

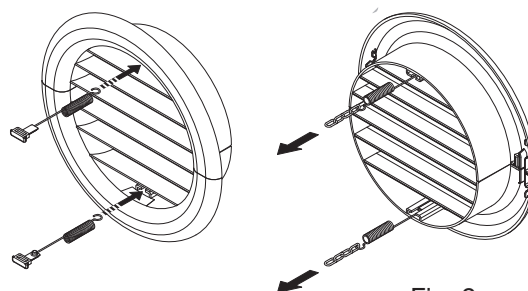


Fig. 9

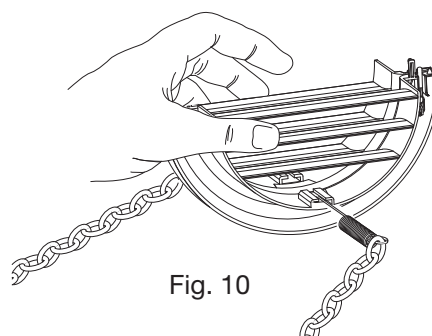


Fig. 10

REMARQUE

Il est nécessaire d'utiliser les grilles fournies ou des grilles ayant les mêmes caractéristiques.

3-2 PRÉPARATION POUR LA VIDANGE DE CONDENSAT

Connectez l'unité au tuyau de vidange de condensât fourni en utilisant la connexion appropriée (fig. 11 - **A**) située à l'arrière de l'unité (retirer le capuchon **B**).

Lorsque le niveau d'eau atteint le niveau maximum, l'eau de condensât sort du trou dans le cadre.

L'eau de condensât s'écoule par gravité, donc il doit y avoir une pente minimale d'au moins 3% à chaque point de la conduite de vidange. Si le tuyau fourni n'est pas utilisé, choisissez un tuyau rigide ou flexible avec un diamètre intérieur d'au moins 16 mm.



PRUDENCE !

Assurez-vous que l'eau expulsée vers l'extérieur n'endommage ni ne dérange des personnes ou des choses. Pendant l'hiver, ce type de drainage peut provoquer la formation de glace.

Une fois que vous avez connecté l'évacuation de condensât, faites très attention à ne pas comprimer le tuyau.

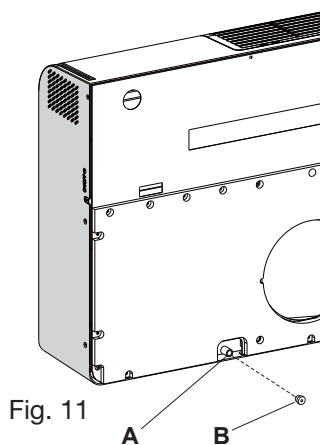


Fig. 11

- Accrocher l'unité aux supports en insérant simultanément le tuyau de vidange de condensât dans le trou du mur. Soulevez l'unité en la tenant par les côtés de la base. Pour faciliter l'opération de fixation au support, inclinez-la légèrement vers vous.

Pour effectuer le raccordement électrique et fixer le tuyau de vidange, placez un coin entre le climatiseur et le mur.

Une fois terminé, inspectez soigneusement pour vous assurer qu'il n'y a pas d'espace à l'arrière du climatiseur (l'isolation doit adhérer fermement au mur) surtout dans les zones des grilles. (Fig. 12-13)

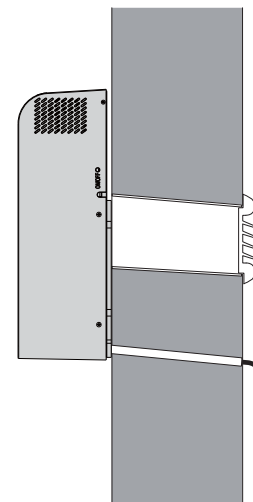


Fig. 12

- Si la prise est proche de l'appareil, connectez-la simplement.

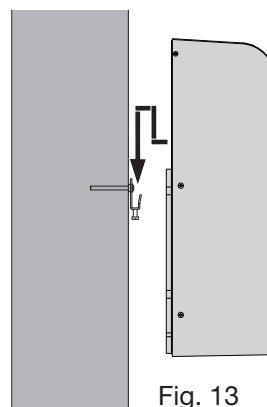
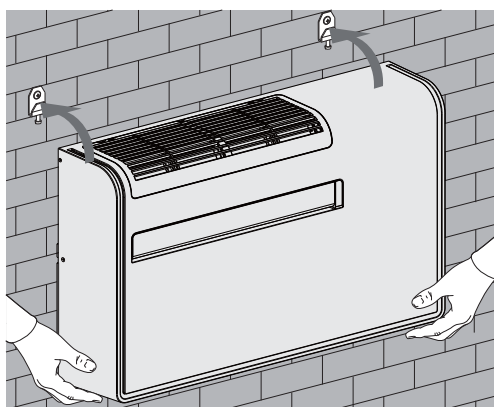


Fig. 13

3-3 - BRANCHEMENT ÉLECTRIQUE

Le climatiseur est équipé d'un câble d'alimentation avec fiche; le branchement électrique de l'unité est du type Y avec le câble préparé de façon spécial; le remplacement ne doit être effectué que par le Centre de Service autorisé.



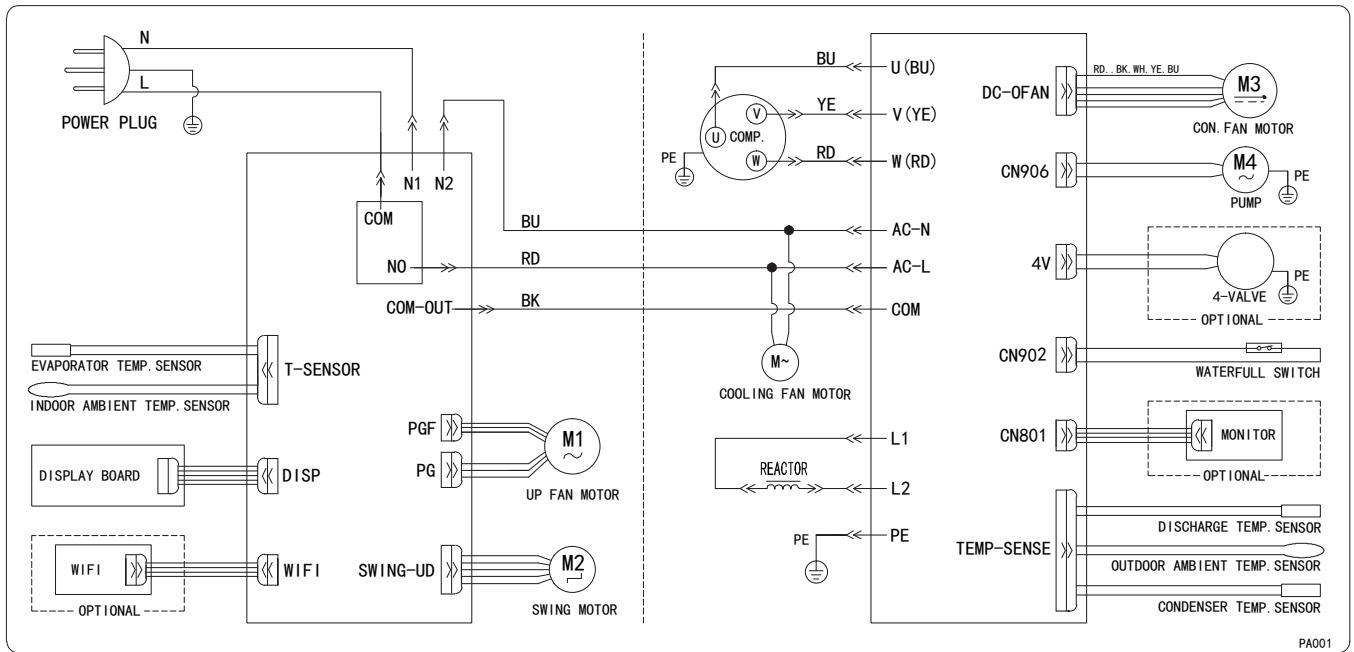
PRUDENCE !

Avant de brancher le climatiseur, assurez-vous que:

- La tension du réseau d'alimentation est la même que celle indiquée sur la plaque signalétique de l'unité.
- Assurez-vous que la ligne d'alimentation dispose d'une connexion à la terre et qu'elle est correctement dimensionnée pour l'absorption maximale du climatiseur (section minimale des câbles: 1,5mm²).
- Le climatiseur est alimenté uniquement par une prise compatible avec la fiche fournie.

Le dispositif de sectionnement de la ligne doit avoir une distance d'ouverture des contacts qui permet le sectionnement complet dans les conditions de la catégorie de surtension III.

4 - SCHEMA ÉLECTRIQUE



FR

Colori dei cavi

BK	Noir
BN	Marron
BU	Bleu
GN	Vert
RD	Rouge
WT	Blanc
YE	Jaune

INHALTSVERZEICHNIS

1 - Allgemeines.	3
2 - Präsentation.	4
3 - Installation.	6
4 - Elektrische Anschlusspläne.	11

DE

VERORDNUNG (EU) F-Gase Nr. 517/2014

Das Gerät enthält R32, fluorierte Treibhausgase mit einem Treibhauspotential (GWP) = 675.
Zerstören Sie R32 in Atmosphäre nicht.

R32: 0,39 kg / 0,26 Tonn. CO₂ Äq.

Stromversorgung:

220 - 240 V ~ / 1 / 50 Hz



Das Gerät enthält R32, ein schwer entflammbares Kältemittel.



Diese Anleitung vor Arbeitsbeginn aufmerksam lesen und alle Sicherheitsvorschriften strikt befolgen.
Wenden Sie sich immer an ein Airwell Kundendienst.



Alle Reparaturen müssen von qualifiziertem Personal gemäß den Anweisungen des technischen Handbuchs des Herstellers ausgeführt werden.

WICHTIG

- Keine anderen als die empfohlenen Hilfsmittel zum Beschleunigen des Abtauprozesses oder zur Reinigung verwenden.
- Die Einheit darf nicht in einem Raum mit Zündquellen im Dauerbetrieb gelagert werden. (z.B.: offene Flammen, ein eingeschaltetes Gasgerät oder ein eingeschalteter Elektroheizofen).
- Die Einheit nicht durchbohren oder verbrennen.
- Achtung! Die Kühlmittel sind geruchslos.
- Diese Einheit darf nur in einem Raum mit einer Größe von mehr als 3m² installiert, betrieben und aufbewahrt werden. Der Raum muss gut belüftet sein.

BEI WARTUNGSARBEITEN AM KÜHLKREISLAUF

- Die Einheit muss von qualifiziertem Personal mit F-GAS-Lizenz, ohne Integration, installiert werden.
- Verwenden Sie Werkzeuge (Vakuumpumpe und Rekuperator), die für Kältemittel R32 geeignet und zertifiziert sind.

WICHTIG!

Bitte vor Installationsbeginn lesen

Dieses Klimagerät folgt strengen Sicherheits- und Betriebsstandards.

Für den Installateur oder Bediener dieses Klimageräts ist es wichtig, sie so einzubauen oder zu reparieren, dass ein sicherer und effizienter Betrieb gewährleistet wird.



WARNUNG

Dieses Symbol bezieht sich auf eine Gefahr oder eine unsachgemäße Verwendung der Anlage, die Körperverletzungen oder Tod verursachen können.



VORSICHT

Dieses Symbol bezieht sich auf eine Gefahr oder eine unsachgemäße Verwendung der Anlage, die Schäden am Gerät oder am Gebäude verursachen können.

Empfehlungen

- Das mit der Annahme des Klimageräts beauftragte Personal muss zunächst eine Sichtkontrolle desselben vornehmen und eventuelle Transportschäden feststellen: Kältemittelkreislauf, Schaltschrank, Gestell und Verkleidung.

Für eine sichere Installation und einen sorgenfreien Betrieb müssen Sie:

- Diese Anleitung vor Arbeitsbeginn aufmerksam lesen.
- Jeden Installations- oder Reparaturschritt entsprechend der Beschreibung ausführen.
- Alle örtlichen, regionalen und landesweiten Vorschriften zum Umgang mit Elektrizität (und für die Sicherheit) befolgen.
- Alle Hinweise zur Warnung und Vorsicht in dieser Anleitung aufmerksam beachten.
- Eine eigene elektrische Zuleitung für die Versorgung benutzen.
- Die Einheit von qualifiziertem Personal installieren lassen.
- Vergewissern Sie sich vor der Aufstellung, daß die Netzspannung in Ihrem Büro oder Haus die gleiche ist, die auf dem Typenschild der Einheit angegeben wurde.
- Ist ein zweipoliger Schalter mit Schutzsicherung (träge) zu 10 A dem Versorgungsstecker anzubringen.
- **ACHTUNG!**

Das Klimagerät ist mit einer Startverzögerung für den Kompressor ausgerüstet. Der Kompressor startet 3 Minuten verzögert nach einem vorstehenden EIN/AUS- Schaltvorgang.

Fragen Sie um Rat, wenn das notwendig ist

Diese Anleitungen sind für die meisten Einbauten und Wartungsbedingungen ausreichend. Wenn Sie wegen eines besonderen Problems Rat benötigen, wenden Sie bitte an unser Verkaufs-/Wartungsbüro oder Ihren autorisierten Händler.

Im Falle unsachgemäßer Installation

Der Hersteller ist in keinem Fall für unsachgemäße Installation und Wartung verantwortlich, wenn die in dieser Anleitung enthaltenen Anweisungen nicht beachtet werden.



WARNUNG

Beim Ausführen der Verkabelung

STROMSCHLÄGE KÖNNEN SCHWERE KÖRPERVERLETZUNGEN UND TOD ZUR FOLGE HABEN. DIE VERLEGUNG UND HANDHABUNG DER ELEKTRISCHEN ANLAGE DARF NUR VON QUALIFIZIERTEN UND ERFAHRENEN ELEKTRIKERN DURCHGEFÜHRT WERDEN.

- Die Einheit darf erst dann mit Strom versorgt werden, wenn alle Kabel komplett verlegt oder wieder angeschlossen wurden und die Erdung überprüft wurde.
- Für diesen elektrischen Kreislauf werden Spannungen eingesetzt, die sehr gefährlich sein können. Beziehen Sie sich zur Ausführung der Anschlüsse auf den Schaltplan und die vorliegenden Anweisungen. Unsachgemäße Anschlüsse und eine unzureichende Erdung können Verletzungen oder den Tod verursachen.
- **Die Erdung ist** entsprechend der örtlich geltenden Vorschriften **auszuführen**.
- Der gelb/grüne Leiter darf ausschließlich für den Erdanschluss verwendet werden.
- Die Kabel fest anschließen. Lockere Verbindungen können Überhitzung an den Verbindungspunkten erzeugen und ein mögliches Feuerrisiko bedeuten.
- Stellen Sie sicher, daß die Verdrahtung nicht die Kühlmittelrohre, den Kompressor oder die beweglichen Teile des Ventilators berührt.
- Verwenden Sie keine Mehraderkabel für die Verdrahtung der Stromversorgung und Steuerleitungen. Benutzen Sie separate Kabel für jeden Leitungstyp.

Transport

Heben und bewegen Sie das Geräte mit großer Vorsicht. Lassen Sie sich von einer dritten Person helfen und beugen Sie die Knie, um die Belastung auf den Rücken zu verringern. Scharfe Kanten oder die dünnen Aluminiumrippen des Gerätes können Schnittwunden an den Fingern verursachen.

Installation

Versichern Sie sich, daß die Wand stark genug ist, das Gewicht des Gerätes zu tragen. Es mag notwendig sein, einen starken Holz- oder Metallrahmen zu konstruieren, um zusätzliche Unterstützung zu erhalten.

1 - ALLGEMEINES

BETRIEBSBEDINGUNGEN

BETRIEBSGRENZEN		
KÜHLUNG		
MAXIMUMBEDINGUNGEN	AUßENTEMPERATUR RAUMTEMPERATUR	43°C T.K. 30°C T.K.
MINIMUMBEDINGUNGEN	AUßENTEMPERATUR RAUMTEMPERATUR	-10°C T.K. 16°C T.K.
HEIZUNG		
MAXIMUMBEDINGUNGEN	AUßENTEMPERATUR RAUMTEMPERATUR	24°C T.K. 30°C T.K.
MINIMUMBEDINGUNGEN	AUßENTEMPERATUR INNENRAUM	-15°C T.K. 16°C T.K.

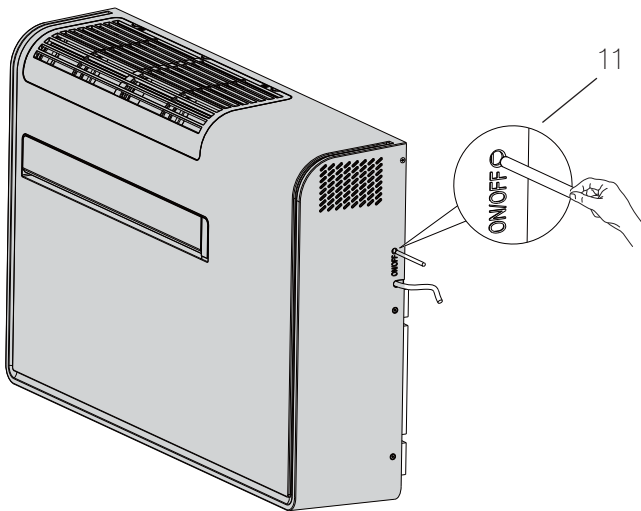
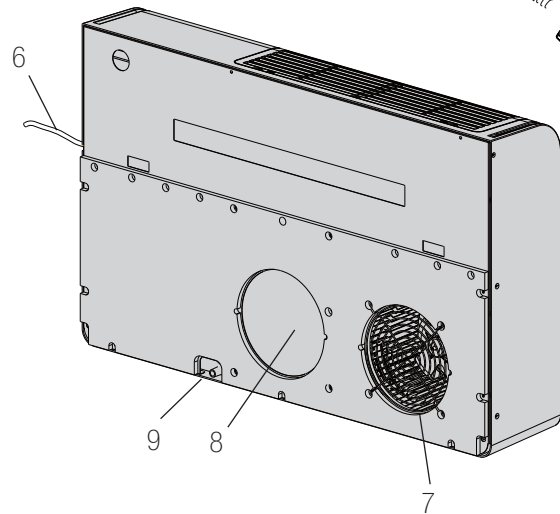
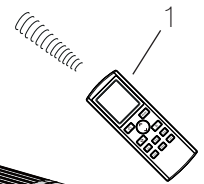
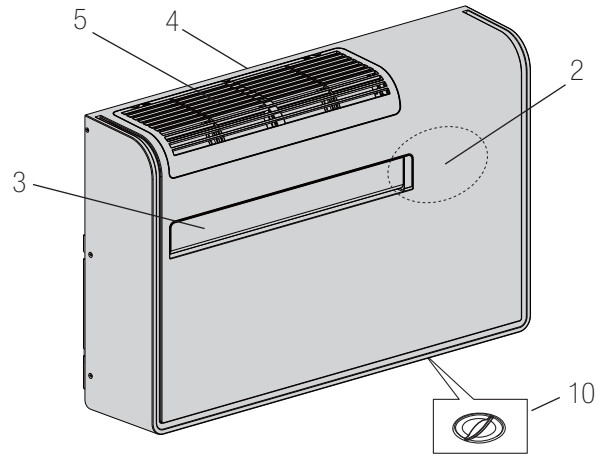
BESONDERE VORSICHTSMASSNAHMEN

- Nur mit neutralen Reinigungsmitteln reinigen.
- Stellen Sie keine Gegenstände auf das Gerät.
- Gießen Sie keine Flüssigkeiten auf das Gerät.

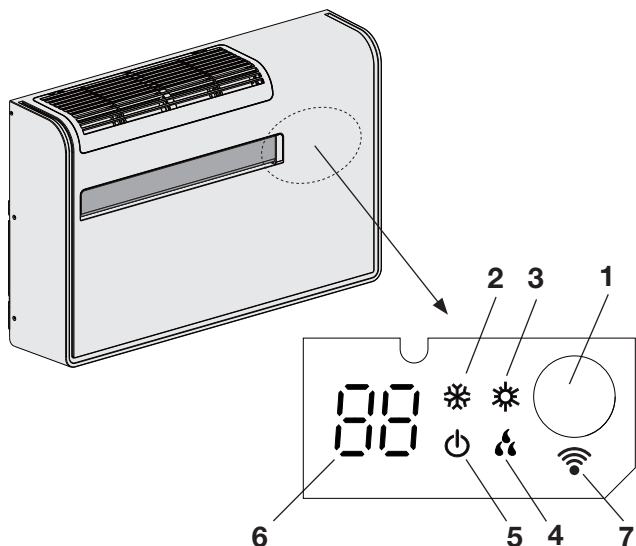
2 - PRESENTAZIONE

2.1 - BESCHREIBUNG DER TEILE

1. Fernbedienung mit infrarot-Signalen
2. Anzeigen und Empfänger
3. Luftzufuhr Klappe
4. Luftansauggrill (abnehmbar)
5. Luftfilter
6. Stromkabel mit Stecker
7. Zuluft Öffnung mit Ventilator
8. Abluft Öffnung
9. Kondenswasserablauf
10. Wartungsdeckel für Kondenswasserablauf
11. Betriebstaste



2.2 - WARNUNG LICHTEN




1. **Empfänger:** empfängt die von der Fernbedienung ausgesandten Signale.
2. **KÜHLUNG Licht:** Dieses Licht leuchtet auf, wenn sich das Klimagerät im Kühlungsbetrieb befindet.
3. **HEIZUNG Licht:** Dieses Licht leuchtet auf, wenn sich das Klimagerät im Heizungsbetrieb befindet.
4. **ENTFEUCHTUNG Licht:** Dieses Licht leuchtet auf, wenn sich das Klimagerät im Entfeuchtungsbetrieb befindet.
5. **Warteanzeige Licht (STANDBY):** Dieses Licht leuchtet auf, wenn das Klimagerät mit der Fernbedienung ausgeschaltet wird und zeigt auch den WIFI-Status während des Gerätebetriebs an.
6. **DIGITALE ANZEIGE:** sie kann Informationen wie Solltemperatur, Raumtemperatur, Batterietemperatur, Status, Fehlercode usw. anzeigen.
7. **WIFI:** Dieses Licht leuchtet auf, wenn sich das Klimagerät in WIFI befindet.



WARNUNG

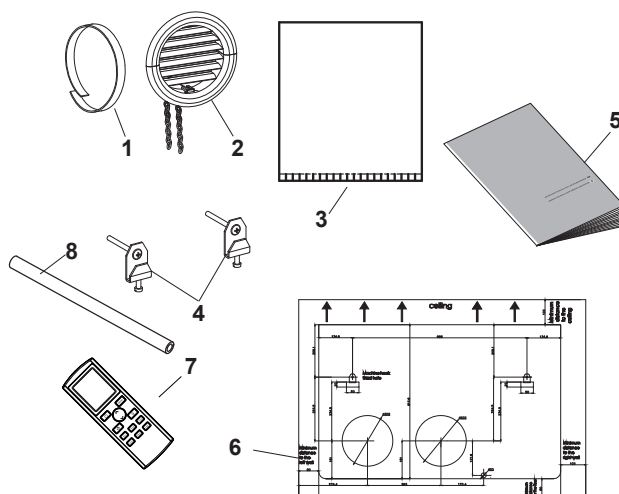
Die Position OFF unterbricht die Stromversorgung nicht. Den Hauptschalter zum Ausschalten des Klimageräts benutzen.

ANMERKUNGEN

- Es ist möglich das Klimagerät einzustellen, so daß alle Lichter ausgeschaltet sind, auch während des Betriebs, indem Sie die Taste LIGHT der Fernbedienung drücken.
Wenn das Symbol  auf der Fernbedienung leuchtet, ist die Anzeige des Klimageräts eingeschaltet; Wenn das Symbol nicht leuchtet, ist die Anzeige des Klimageräts ausgeschaltet.
- Wenn das System des Klimageräts feststellt Betriebsstörungen, werden die korrekten Anzeigen aufgeleuchtet, auch wenn sie für Ausschaltung eingestellt sind. Sehen Sie für weitere Details das Paragraph FESTSTELLUNG UND BEHEBUNG VON BETRIEBSSTÖRUNGEN.

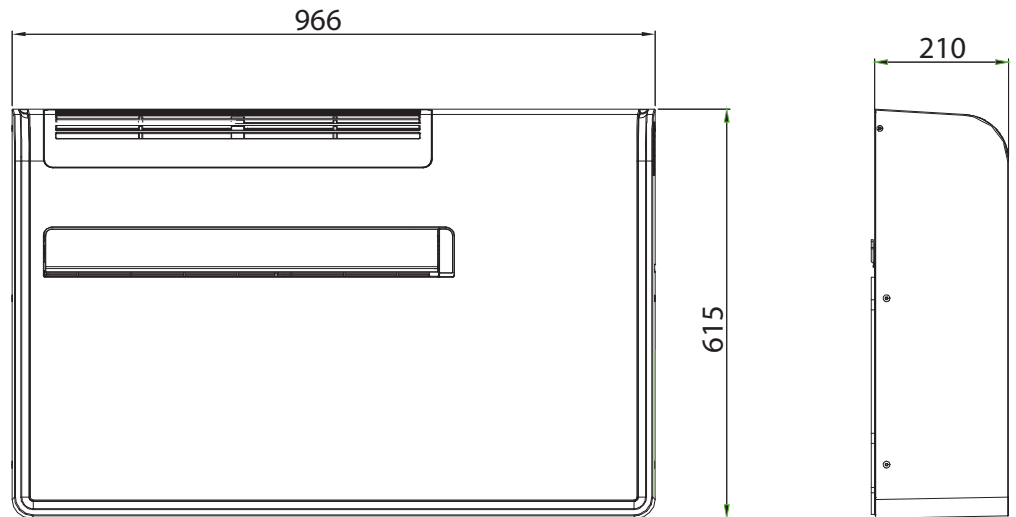
2.3 - MITGELIEFERTES ZUBEHÖR

1. Isolierklebestreifen (2)
2. Externe Luftein- und -austrittsgitter, inklusive Ketten und Bausatz zur Montage der Gitter (2)
3. Plastikfolie (2)
4. Wandbefestigungswinkel (2)
5. Bedienungs- und Installationsanleitungen
6. Bohrschablone
7. Fernbedienung
8. Kondensatablaufrohr



2.4 - ABMESSUNGEN UND GEWICHT

Modelle	Gewicht (kg)
XDAW	36



Unit: mm

3 - INSTALLATION

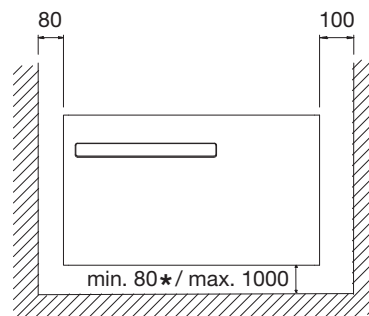
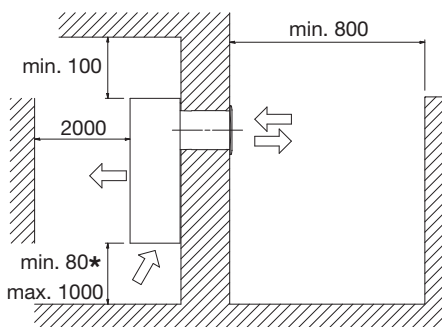
3.1 - AUFSTELLUNGORT

VERMEIDEN SIE

- Wärmequellen, Sauggebläse.
- Die Nähe zu brennbaren Werkstoffen.
- Direkte Sonneneinstrahlung.
- Orte, an denen die Einheit Spritzwasser oder übermäßiger Feuchtigkeit ausgesetzt sein kann (z. B. Waschküchen).
- Räume wo ein unsolidas Fundament zu Vibrationen, Lärm oder mögliche Wasserlecks führen kann.

WICHTIGE HINWEISE

- Die Wand soll eine Außenwand sein.
- Versichern Sie sich, daß die gewählte Wand das Gewicht der Einheit tragen kann.
- Befestigen Sie die Einheit Minimum 8 cm hoch.
- Raumbedarf um das Gerät lassen.(Siehe Abbildung).
- Vergewissern Sie sich, daß keine Hindernisse neben der Einheit den Luftumlauf unterbrechen können (Vorhänge, Möbel,...).
- Vermeiden Sie die Installationen an Stellen, an denen der Luftstrom der Einheit direkt gegen Leute, elektrischen Haushaltgeräte oder Wärmequellen ist.
- Sie darf nicht direkt auf einem anderen Gerät (Fernseher, Radio, Kühlschrank usw.) installiert werden.



Unit: mm

***Warnung! Um den Kondensatablauf vom Wartungsdeckel zu erleichtern, ist es jedoch ratsam, die Einheit in einer Mindesthöhe von 300mm zu installieren**



VORSICHT

Nachdem Sie das Aufstellungsort gewählt haben, indem Sie die vorstehende Punkte folgen, versichern Sie sich, daß kein Loch im Bereich mit elektrischen Kabeln und Rohrkabeln gebohrt wird.

Prüfen Sie auch, daß keine Hindernisse den Aussenluftumlauf in der Plastikröhre in der Wand unterbrechen können. Der Mindestabstand zu Wänden oder Hindernissen muss 80 cm betragen.

3.2 - INSTALLATION DER EINHEIT

- Applicare sul muro la dima di foratura e fissarla in bolla. (Abb. 1)
- Bohren Sie die beiden Luftlöcher (A) wie auf der Bohrschablone angegeben; Bohren Sie das Loch (B) um das Kondenswasser Außen ablaufen zu lassen (Versichern Sie eine Neigung nach Draußen) - Abb. 2).
- Bohren Sie dann die Löcher für die Wandbefestigungswinkel (C) in die Wand, indem Sie die 2 Löcher für die Winkel verwenden, wie auf der Bohrschablone angegeben.
- Bohren Sie dann 4 Löcher (D), um die Ketten der Gitter zu befestigen.

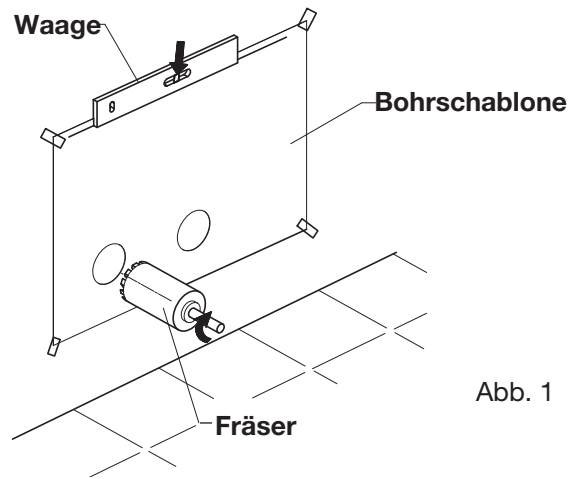


Abb. 1

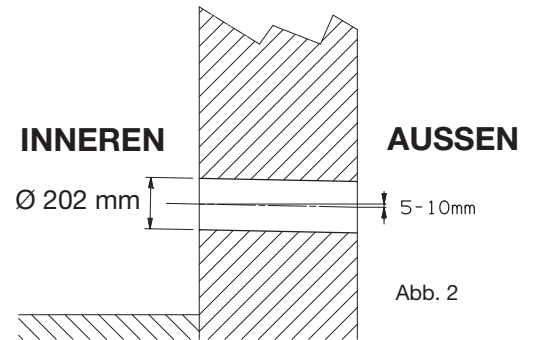
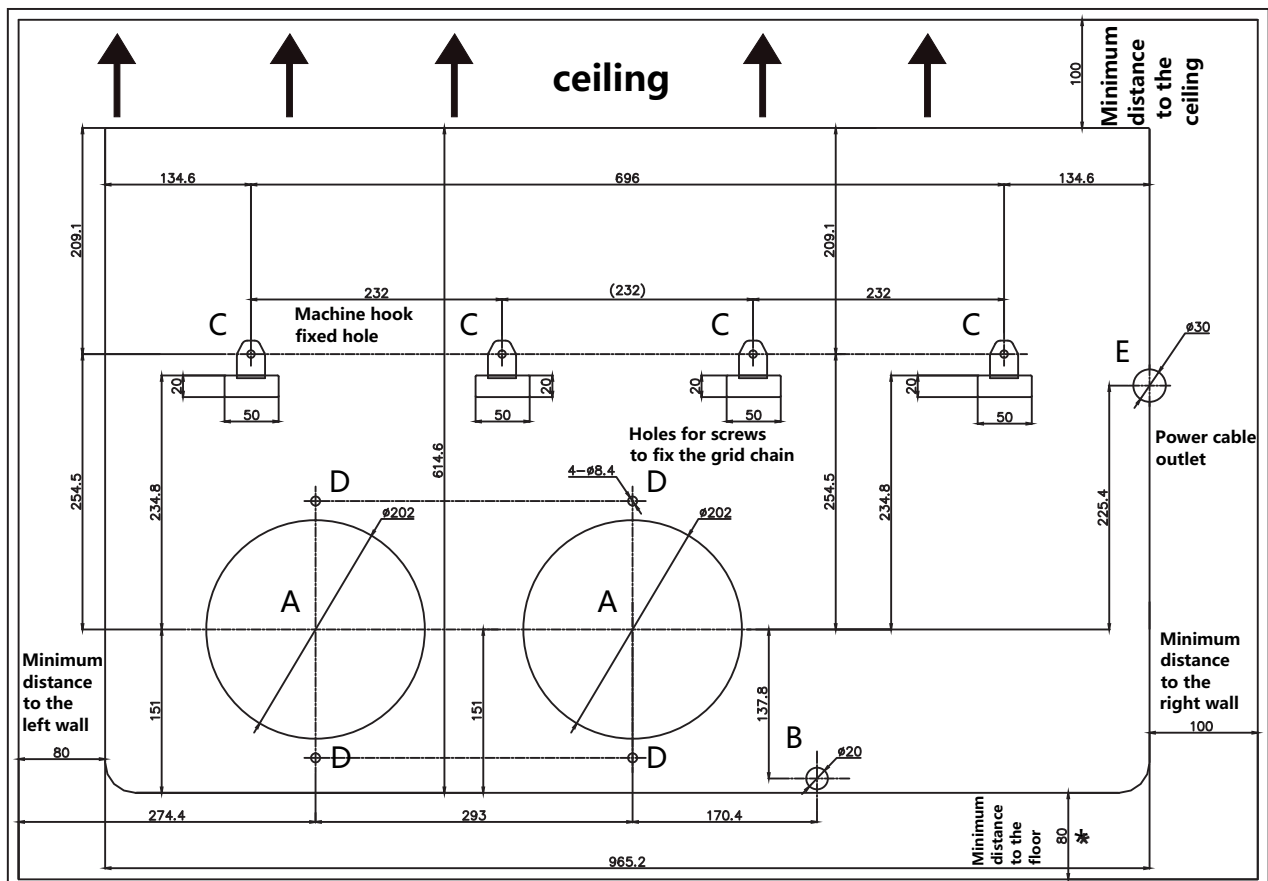


Abb. 2

- A** Luftlöcher Ø 202 mm
- B** Kondensatablaufloch Ø 20 mm
- C** Wandbefestigungswinkel Löcher Ø 10 mm
- D** Löcher für die Befestigungsschrauben der Gitterkette
- E** Loch für Stromversorgungsausgang

BOHRSCHABLONE





VORSICHT

BESONDERE VORSICHTSMASSNAHMEN BEI DER DURCHFÜHRUNG VON LUFTLÖCHERN IN DER WAND

- Bohren Sie die Wand mit den entsprechenden Werkzeugen, um die Arbeit zu erleichtern und Beschädigungen zu vermeiden.
- Die besten Werkzeuge zum Bohren großer Löcher in Wänden sind Spezialbohrer, sogenannte Kernbohrer mit sehr hohem Drehmoment und einstellbarer Drehzahl, abhängig vom Durchmesser des zu bohrenden Lochs.
- Es ist möglich, die Kernbohrmaschine an ein Saugsystem anzuschließen, um übermäßigen Staub zu vermeiden.
- Achten Sie darauf, dass das entfernte Material (nach außen ausgestoßen) beim Herunterfallen keine Personen oder Gegenstände trifft.

HINWEISE FÜR WANDBEFESTIGUNGSWINKEL

- Wenn die Wand nicht sehr fest ist, wird empfohlen, einige zusätzliche Ankerbolzen zu verwenden.
- Das meiste Gewicht des Geräts befindet sich auf der rechten Seite. Stellen Sie daher sicher, dass die Befestigung auf dieser Seite sicherer ist.
- Die mitgelieferten Dübel benötigen Bohrungen mit einem Durchmesser von 10 mm.
- Bitte wählen Sie jedoch je nach Wandtyp die bestmögliche Verankerung.

- Falten Sie die Flügel der mitgelieferten Plastikfolie (Abb.3).

Schneiden Sie die mitgelieferten Plastikfolien zurecht, um durch Rollen (Abb.4) zwei Röhrchen der richtigen Größe zu erhalten (es ist nötig die Dicke der Wand zu messen und 40 mm zu abziehen, um den notwendigen Platz für die Gitter zu lassen).

- Legen Sie die erhaltenen Plastikrohre in die zwei Löcher ein, indem Sie auf die Naht achten (Abb. 5), die immer nach oben zeigen muss.

Schneiden Sie das Rohr auf der anderen Seite der Wand auf die richtige Länge. (Abb. 6)

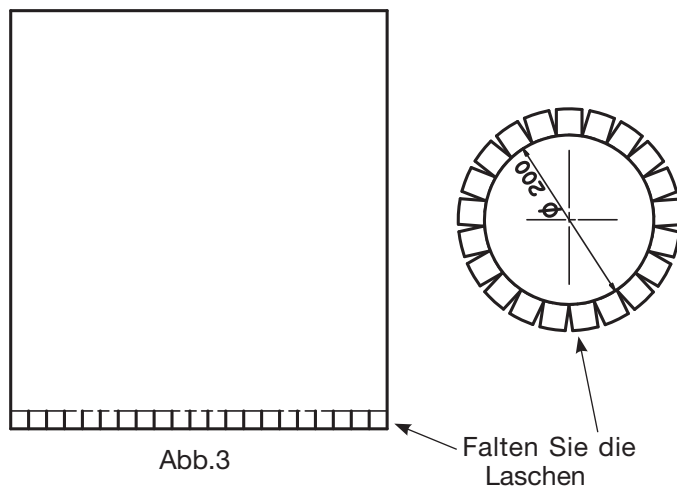


Abb.3

Falten Sie die Laschen

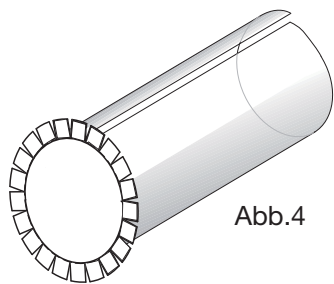


Abb.4

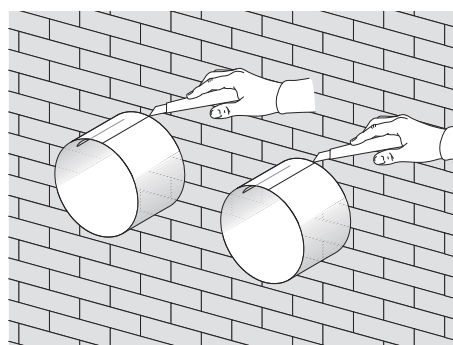


Abb. 6

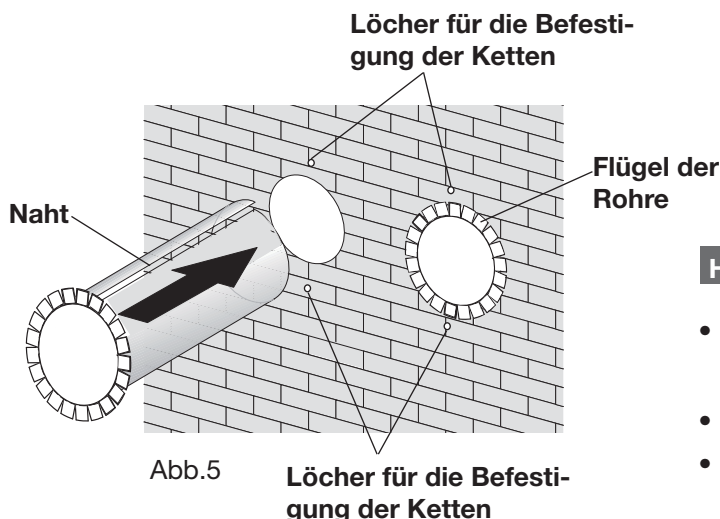


Abb.5

Löcher für die Befestigung der Ketten

HINWEISEN

- Die mitgelieferte Plastikfolie ist für Wände der Dicke bis zu 50 cm geeignet.
- Die Begrenzung der Länge ist 1 m.
- Wenn Sie Kunststoffrohre kaufen, müssen diese innen glatt sein.
- Die Rohre nicht biegen oder knicken.

- Befestigen Sie die beiden äußeren Gitter wie folgt:
 - Bringen Sie das selbstklebende Isolierband (Abb. 7) auf die Flügel der Rohre an der Wand an. (Abb. 5)
 - Setzen Sie die kleinere Öse der Feder auf die Plastikkappe des Gitters (2 Kappe + 2 Federn für jedes Gitter). Abb. 8
 - Setzen Sie die beiden Kappen (mit Feder) im vorderen Teil des Außengitters in ihre Gehäuse ein und ziehen Sie sie bis zum Klicken. (Abb. 9)
 - Schneiden Sie die beiden mitgelieferten Ketten durch, um 4 Stück (2 Stück pro Gitter) zu erhalten.
 - Haken Sie die Ketten in die große Öse der Feder ein.
 - Fassen Sie mit einer Hand die beiden Ketten, die mit dem Gitter verbunden sind.
 - Falten Sie die äußeren Gitter nach hinten und fassen Sie sie mit der freien Hand an der Stelle, an der sie sich verbiegen, und führen Sie Ihre Finger in die einzelnen Lamellen ein. (Abb. 10)
 - Führen Sie den Arm in das Rohr ein, bis das Gitter vollständig nach außen ragt.
 - Öffnen Sie das Gitter erneut und achten Sie darauf, dass sich Ihre Finger in den Lamellen befinden.
 - Drehen Sie den Grill, bis die Lamellen vollständig horizontal und nach unten geneigt sind.
 - Ziehen Sie die Kette, spannen Sie die Feder und befestigen Sie die Kettenblätter mit den mitgelieferten Schrauben und Unterlegscheiben in den Löchern in der Wand (Abb. 5 - 7).
 - Überstehende Kettenglieder abschneiden.

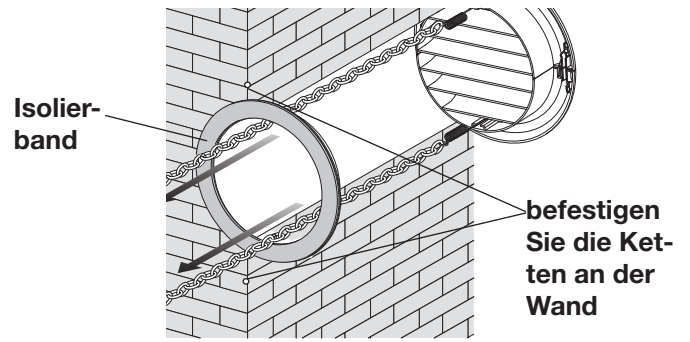


Abb. 7

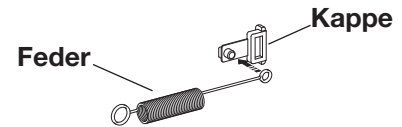


Abb. 8

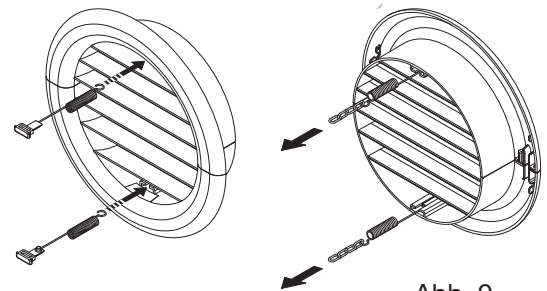


Abb. 9

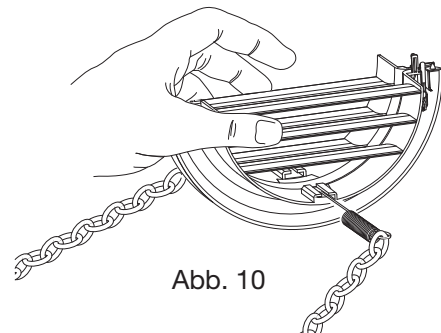


Abb. 10

HINWEIS

Es ist erforderlich, die mitgelieferten Gitter oder Gitter mit den gleichen Eigenschaften zu verwenden.

3-2 VORBEREITUNG FÜR KONDENSWASSERABLAUF

Schließen Sie die Einheit über den speziellen Anschluss (fig. 11 - A) an der Rückseite der Einheit an das mitgelieferte Kondensatablaufrohr an (entfernen Sie die Kappe B).

Wenn der Wasserstand den Höchststand erreicht, tritt das Kondensat aus dem Loch im Rahmen aus.

Da das Kondensat durch die Schwerkraft abfließt, muss an jedem Punkt der Abflussleitung eine Mindestneigung 3% vorhanden sein. Wenn das mitgeliefertes Rohr nicht verwendet wird, wählen Sie einen starren oder flexiblen Rohr mit einem Innendurchmesser von mindestens 16 mm.



VORSICHT

Stellen Sie sicher, dass das nach außen abgegebene Wasser keine Personen oder Gegenstände beschädigt oder stört. Während des Winters kann diese Art der Entwässerung zur Bildung von Eisschichten führen. Achten Sie nach dem Anschließen des Kondensatablaufs darauf, das Rohr nicht zusammenzudrücken.

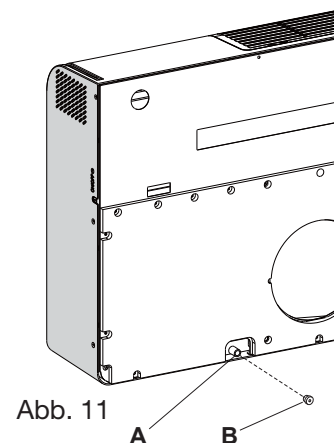


Abb. 11

- Hängen Sie die Einheit an die Wandbefestigungswinkel, indem Sie gleichzeitig das Kondensatablaufrohr in die Wandöffnung einführen.

Heben Sie die Einheit an den Seiten des Sockels an.

Zur Erleichterung der Befestigung, kippen Sie sie leicht zu Ihnen.

Um die elektrische Verbindung herzustellen und das Abflussrohr zu befestigen, platzieren Sie einen Keil zwischen der Einheit und der Wand.

Überprüfen Sie nach Abschluss des Vorgangs sorgfältig, ob auf der Rückseite des Klimageräts Lücken vorhanden sind (Die Dämmung muss fest an der Wand haften) insbesondere in den Bereichen der Gitter. (Abb. 12-13)

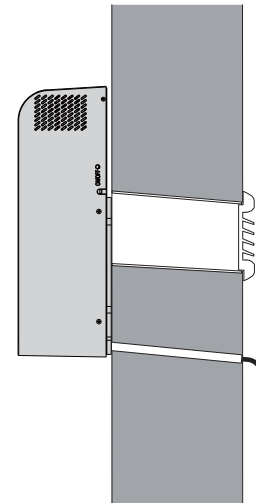


Abb. 12

- Befindet sich die Steckdose in der Nähe des Geräts, schließen Sie sie einfach an.

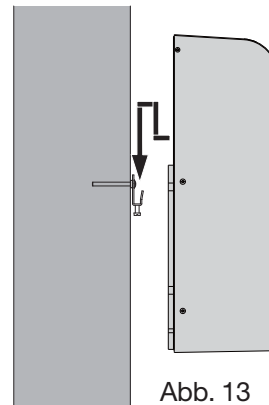
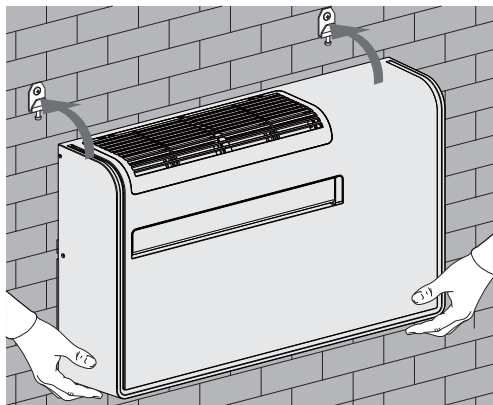


Abb. 13

3-3 - ELEKTRISCHER ANSCHLUSS

die elektrische Verbindung der Einheit ist Y-Type, mit dem auf spezieller Weise vorbereiteten Kabel; wenn es beschädigt ist, lassen Sie es durch einen Servicefachmann ersetzen.



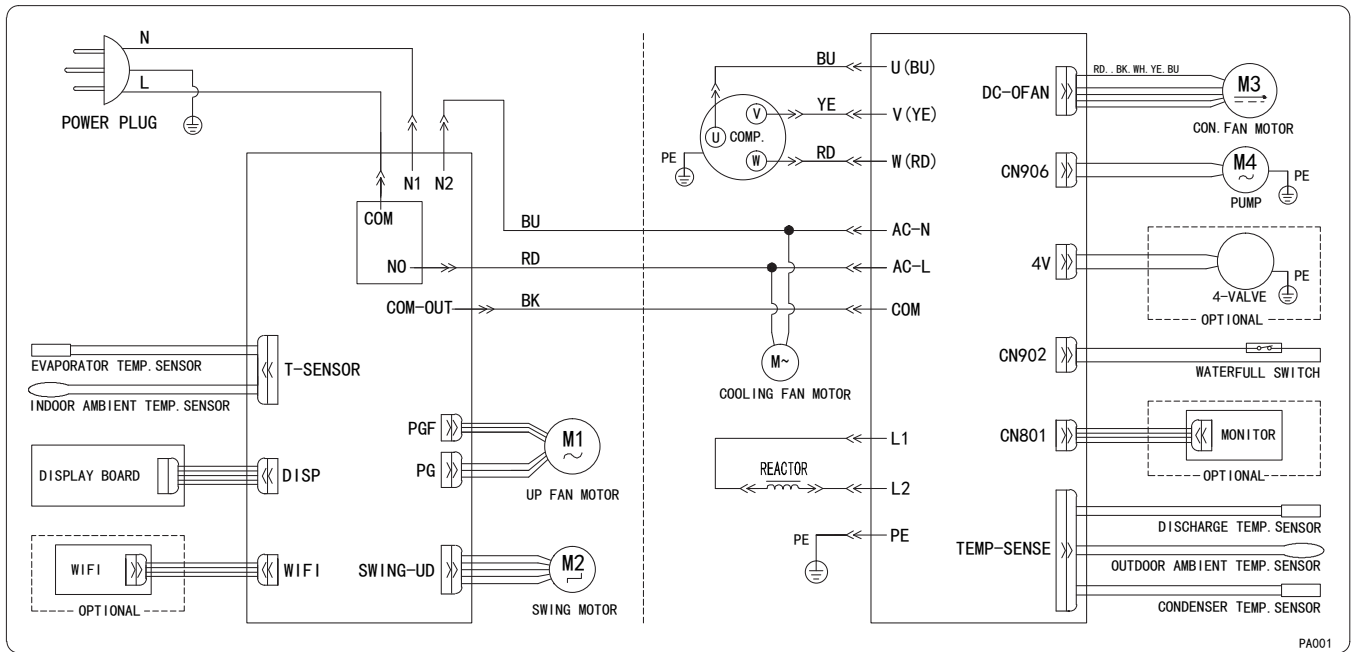
VORSICHT

Stellen Sie vor dem Anschließen des Klimageräts sicher, dass:

- Die Netzspannung entspricht der auf dem Typenschild des Geräts angegebenen Spannung.
- Die Stromversorgungsleitung ist geerdet und für die maximale elektrische Leistung des Klimageräts ausgelegt (minimaler Kabelquerschnitt: 1,5mm²).
- Das Klimagerät wird nur über eine mit dem mitgelieferten Stecker kompatible Steckdose mit Strom versorgt.

Der Unterbrechungsmechanismus für die Stromversorgung muß über eine Kontakt-Trennung, in allen Polen, die die ganze Unterbrechung in der Bedingungen der überspannungsschutz Kategorie III verfügt.

4 - ELEKTRISCHE SCHALTPLAN



PA001

Kabelfarben

BK	Schwarz
BN	Braun
BU	Blau
GN	Grün
RD	Rot
WT	Weiß
YE	Gelb

INDICE

1 - Generalità	3
2 - Presentazione	4
3 - Installazione	6
4 - Schema elettrico	11

IT

REGOLAMENTO (UE) N. 517/2014 - F-GAS

L'unità contiene R32, un gas fluorurato a effetto serra, con potenziale di riscaldamento globale (GWP) = 675. Non disperdere R32 nell'ambiente.

R32: 0,39 kg / 0,26 Tonn. CO2 eq.

Alimentazione elettrica:

220 - 240 V ~ / 1 / 50 Hz



L'unità contiene R32, un gas leggermente infiammabile.



Prima di installare l'unità, leggere questo manuale di installazione e attenersi strettamente alle istruzioni di sicurezza riportate. Rivolgersi sempre ad un Centro Assistenza Airwell.



Qualsiasi riparazione deve essere eseguita da personale qualificato, seguendo le istruzioni contenute nel manuale tecnico del costruttore.

IMPORTANTE

- Non utilizzare mezzi per accelerare il processo di scongelamento o per pulire, diversi da quelli raccomandati dal produttore.
- L'unità deve essere sistemata in un locale senza fonti di accensione a funzionamento continuo (ad esempio: fiamme libere, un apparecchio a gas funzionante o un riscaldatore elettrico funzionante).
- Non forare, non bruciare l'unità.
- Attenzione! I refrigeranti non hanno odore.
- Questa unità deve essere installata, messa in funzione e conservata in un locale con una superficie superiore a 3m². Il locale deve essere ben ventilato.

IN CASO DI MANUTENZIONE SUL CIRCUITO FRIGORIFERO

- L'installatore deve essere in possesso della certificazione F-GAS senza alcuna integrazione (PATENTINO FRIGORISTA).
- L'installatore deve avere l'attrezzatura (pompa del vuoto e recuperatore) idonea certificata per R32.

IMPORTANTE!

Leggere prima di iniziare l'installazione

Questo climatizzatore segue rigidi standard di sicurezza e di funzionamento.

Per l'installatore o il personale di assistenza è molto importante installare o riparare il climatizzatore di modo che quest'ultimo operi con sicurezza ed efficienza.



AVVERTIMENTO

Questo simbolo si riferisce a pericolo o utilizzo improprio che possono provocare lesioni o morte.



PRECAUZIONE

Questo simbolo si riferisce a pericolo o utilizzo improprio che possono provocare lesioni, danni al climatizzatore o all'abitazione.

Raccomandazioni

- Il personale incaricato del ricevimento del climatizzatore dovrà effettuare un controllo visivo per mettere in evidenza gli eventuali danni subiti durante il trasporto: circuito frigorifero, armadio elettrico, telaio e carrozzeria.

Per un'installazione sicura e un buon funzionamento è necessario:

- Leggere attentamente questo manuale di istruzioni prima di iniziare.
- Seguire tutte le istruzioni di installazione o riparazione esattamente come mostrato.
- Osservare tutte le norme elettriche (e di sicurezza) locali, statali e nazionali.
- Fare molta attenzione a tutte le note di avvertimento e di precauzione indicate in questo manuale.
- Utilizzare una linea elettrica dedicata per l'alimentazione dell'unità.
- Fare installare l'unità da personale specializzato.
- Prima dell'installazione assicuratevi che la tensione dell'alimentazione elettrica di rete sia uguale a quella indicata sulla targhetta dell'unità.
- Si raccomanda l'installazione di un interruttore bipolare, con fusibile di protezione da 10 A del tipo ritardato, a monte della presa d'alimentazione.
- **ATTENZIONE!**
Il climatizzatore è dotato di un sistema di protezione del compressore dai sovraccarichi che non consente la partenza del compressore se non sono trascorsi almeno 3 minuti da un precedente arresto.

Se necessario, chiedi aiuto

Queste istruzioni sono tutto quello che necessita per la maggior parte delle tipologie di installazione e manutenzione. Nel caso in cui servisse aiuto per un particolare problema, contattare i nostri punti di vendita/assistenza o il vostro negoziante per ulteriori informazioni.

In caso di installazione errata

Il produttore non è responsabile di un'errata installazione o manutenzione qualora non vengano rispettate le istruzioni di questo manuale.

**AVVERTIMENTO Durante il cablaggio**

LA SCARICA ELETTRICA PUÒ CAUSARE LESIONI MOLTO GRAVI O LA MORTE.
SOLO ELETTRICISTI QUALIFICATI ED ESPERTI POSSONO INTERVENIRE SULL'IMPIANTO ELETTRICO.

- Non alimentare l'unità finché tutti i cavi non siano completati o ricollegati e controllati, per assicurare la messa a terra.
- In questo circuito elettrico vengono utilizzati voltaggi elettrici altamente pericolosi. Fare riferimento allo schema elettrico e a queste istruzioni durante il collegamento.
Collegamenti impropri e inadeguata messa a terra possono causare lesioni accidentali o la morte.
- **Eseguire la messa a terra dell'unità** secondo le norme elettriche locali.
- Il conduttore giallo/verde non può essere utilizzato per collegamenti diversi dalla messa a terra.
- Fissare bene i cavi. Collegamenti inadeguati possono causare surriscaldamento e un possibile incendio.
- I cavi elettrici non devono venire a contatto con i tubi refrigeranti, il compressore o le parti mobili del ventilatore.
- Nel collegare l'alimentazione e le linee di controllo, non usare cavi a più conduttori. Usare cavi separati per ciascun tipo di linea.

Durante il trasporto

Fare attenzione nel sollevare e nello spostare l'unità. È consigliabile farsi aiutare da qualcuno e piegare le ginocchia quando si solleva per evitare strappi alla schiena. Bordi affilati o sottili fogli di alluminio dell'unità potrebbero procurarvi dei tagli alle dita.

Durante l'installazione

Assicurarsi che la parete sia abbastanza resistente da reggere il peso dell'unità. Potrebbe essere necessario costruire un telaio in legno o metallo per provvedere a un supporto maggiore.

1 - GENERALITÀ**CONDIZIONI DI UTILIZZO**

LIMITI DI FUNZIONAMENTO		
RAFFREDDAMENTO		
CONDIZIONI MASSIME	TEMPERATURA ESTERNA TEMPERATURA INTERNA	43°C B.S. 30°C B.S.
CONDIZIONI MINIME	TEMPERATURA ESTERNA TEMPERATURA INTERNA	-10°C B.S. 16°C B.S.
RISCALDAMENTO		
CONDIZIONI MASSIME	TEMPERATURA ESTERNA TEMPERATURA INTERNA	24°C B.S. 30°C B.S.
CONDIZIONI MINIME	TEMPERATURA ESTERNA AMBIENTE INTERNO	-15°C B.S. 10°C B.S.

PARTICOLARI PRECAUZIONI

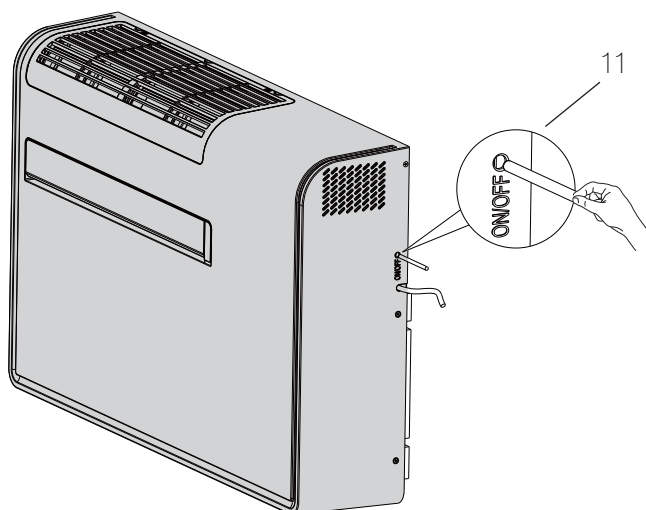
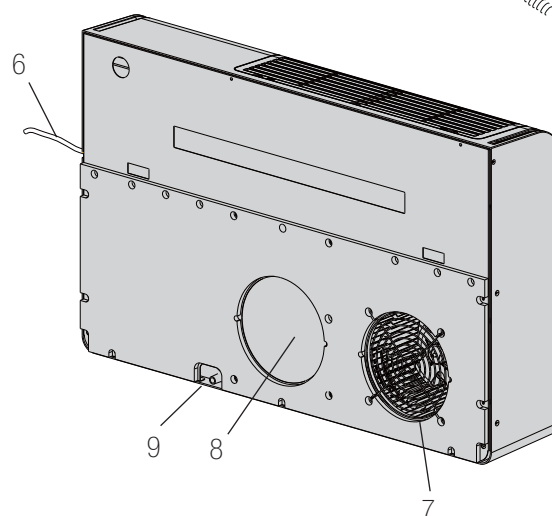
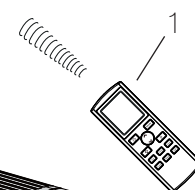
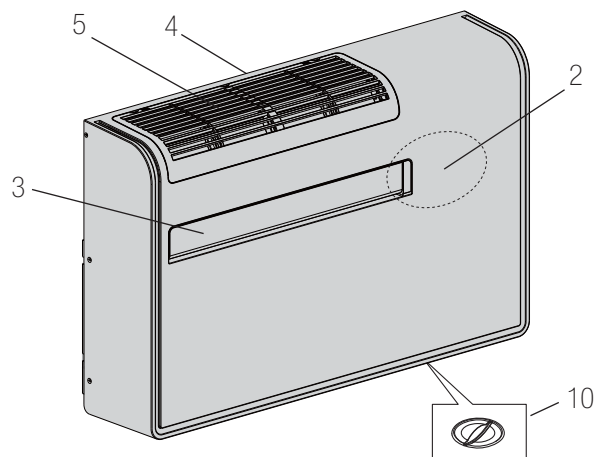
- Pulire solo con detergenti neutri.
- Non appoggiare oggetti sull'unità.
- Non versare liquidi sull'unità.

2 - PRESENTAZIONE

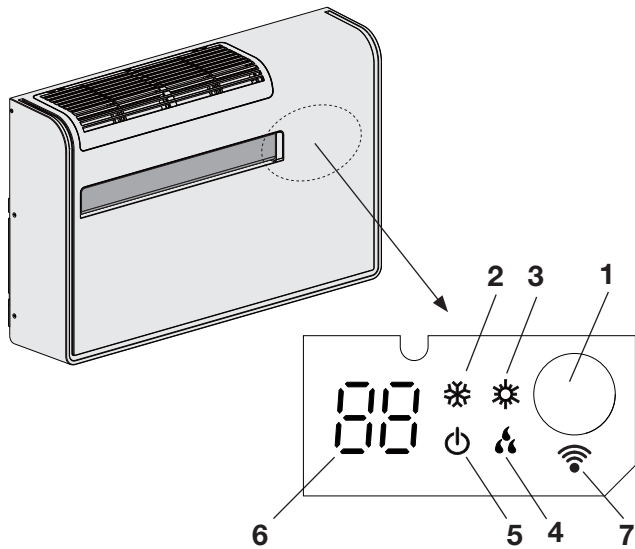
2.1 - DESCRIZIONE DELLE PARTI

IT

1. Telecomando a raggi infrarossi
2. Spie di segnalazione e ricevitore
3. Deflettore mandata aria
4. Griglia aspirazione aria (rimovibile)
5. Filtro Aria
6. Cavo elettrico con spina
7. Foro entrata dell'aria con ventilatore
8. Foro uscita aria
9. Scarico condensa
10. Tappo di servizio per emergenza scarico condensa
11. Tasto funzionamento



2.2 - SPIE DI SEGNALAZIONE




1. **Ricevitore:** riceve i segnali inviati dal telecomando.
2. **Spia RAFFREDDAMENTO:** Questa spia si accende quando il climatizzatore sta funzionando in raffreddamento.
3. **Spia RISCALDAMENTO:** Questa spia si accende quando il climatizzatore sta funzionando in riscaldamento.
4. **Spia DEUMIDIFICAZIONE:** Questa spia si accende quando il climatizzatore sta funzionando in deumidificazione.
5. **Spia attesa (STANDBY):** Questa spia si accende quando viene spento il climatizzatore con il telecomando e indica anche lo stato WIFI durante il funzionamento dell'unità.
6. **DISPLAY DIGITALE:** può mostrare informazioni come temperatura impostata, temperatura ambiente, temperatura batteria, stato, codice errore, ecc.
7. **WIFI:** Questa spia si accende quando il climatizzatore sta funzionando in WIFI.



AVVERTIMENTO

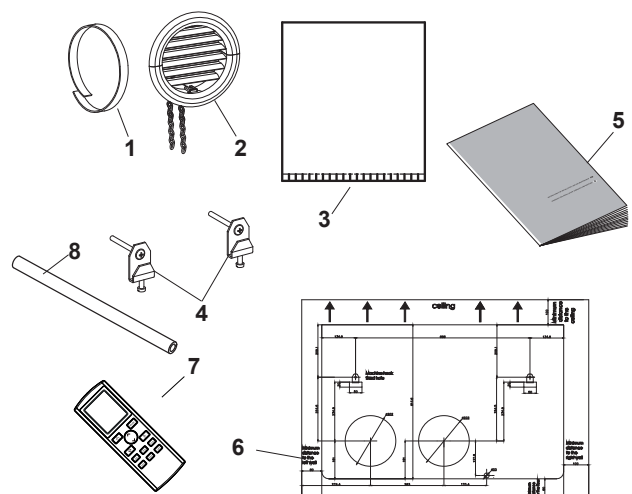
La posizione OFF non interrompe l'alimentazione elettrica. Usate l'interruttore principale per isolare il climatizzatore d'aria.

NOTE

- E' possibile impostare il climatizzatore in modo da mantenere spente tutte le spie, anche durante il funzionamento, premendo il tasto LIGHT del telecomando.
Se il simbolo  sul telecomando è acceso, il display del climatizzatore è acceso; se il simbolo è spento, il display del climatizzatore è spento.
- In tutte le situazioni di guasto rilevate dal sistema di diagnostica del climatizzatore le spie, anche se impostate per lo spegnimento, vengono attivate in accordo all'anomalia da segnalare. Vedi paragrafo IDENTIFICAZIONE E SOLUZIONE PROBLEMI DI FUNZIONAMENTO per ulteriori informazioni.

2.3 - ACCESSORI FORNITI CON L'UNITÀ

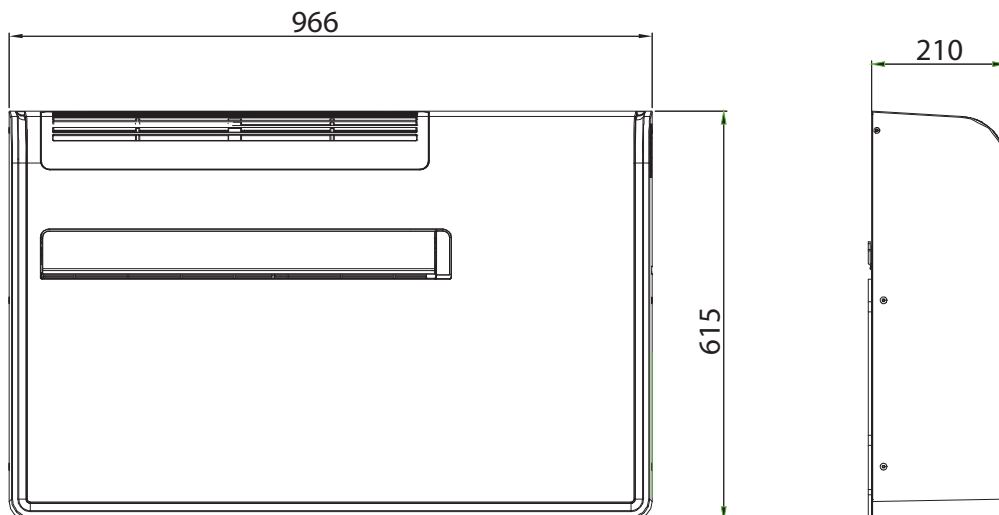
1. Striscia di nastro isolante adesivo (2pz.)
2. Griglie esterne di entrata e uscita dell'aria, comprese catene e kit per l'installazione delle griglie (2 pz.)
3. Foglio in plastica (2pz.)
4. Staffe appensione (2pz.)
5. Manuali d'uso e installazione
6. Dima di foratura
7. Telecomando
8. Tubo scarico condensa



2.4 - DIMENSIONI E PESO

IT

Modello	Peso (kg)
XDAW	36



Unit: mm

3 - INSTALLAZIONE

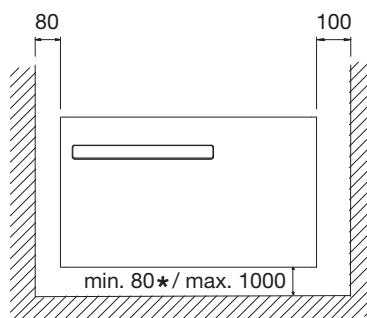
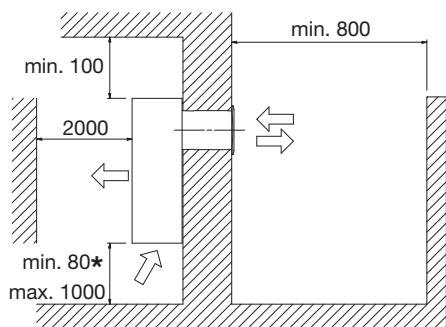
3.1 - SCELTA DEL LUOGO DI INSTALLAZIONE

EVITARE

- La vicinanza a fonti di calore o ad aree interessate da espulsioni di aria calda.
- La vicinanza a materiali combustibili.
- L'esposizione diretta al sole.
- Luoghi dove l'unità possa essere soggetta a spruzzi d'acqua o umidità eccessiva (es. lavanderia).
- Locali con piani di appoggio malfermi che possono causare vibrazione, rumore o possibili perdite d'acqua.

NOTE IMPORTANTI

- La parete deve essere perimetrale.
- Verificare che la parete scelta sia sufficientemente robusta per sostenere il peso dell'unità.
- Fissare l'unità ad un'altezza minima di 8 cm.
- Lasciare un'area minima di esercizio e manutenzione attorno all'unità. (V. figura).
- Assicurarsi che non ci siano ostacoli alla libera circolazione dell'aria nelle vicinanze dell'unità (tende, mobili,...).
- Evitare di installare l'unità in modo che il flusso d'aria sia indirizzato direttamente a persone, verso elettrodomestici o fonti di calore.
- Non deve essere installata direttamente sopra un altro apparecchio (televisore, radio, frigorifero, ecc.).



Unit: mm

***Attenzione! Per facilitare lo scarico condensa dal tappo di servizio è comunque consigliabile installare l'unità ad un'altezza minima di 300mm**



PRECAUZIONE

Dopo aver scelto, secondo i criteri elencati, la posizione per l'installazione, assicurarsi che nei punti in cui verranno praticati i fori non vi siano strutture o impianti (tubazioni idrauliche, collegamenti elettrici) che potrebbero essere danneggiati.

Controllare inoltre che non vi siano impedimenti alla libera circolazione dell'aria esterna attraverso i condotti nella parete. La minima distanza da eventuali pareti od ostacoli deve essere di 80 cm.

3.2 - COME INSTALLARE L'UNITÀ

- Applicare sul muro la dima di foratura e fissarla in bolla. (Fig. 1)
- Eseguire i due fori per l'aria (A) come indicato sulla dima di foratura; eseguire il foro (B) per lo scarico condensa all'esterno (predisporre una pendenza verso l'esterno - Fig. 2).
- Poi, eseguire i fori per le staffe di appensione (C) nel muro usando i 2 fori per le staffe come indicato sulla dima di foratura.
- Poi, eseguire 4 fori (D) per fissare le catene delle griglie.

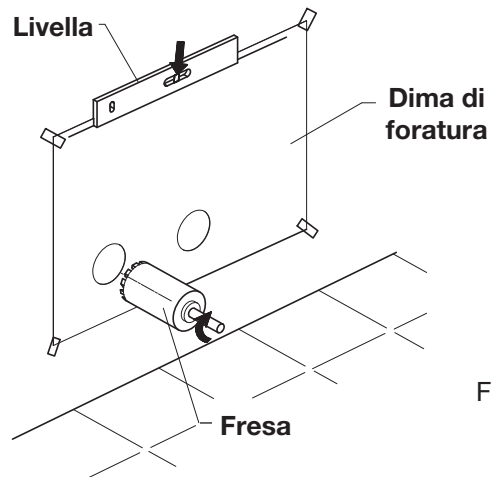


Fig. 1

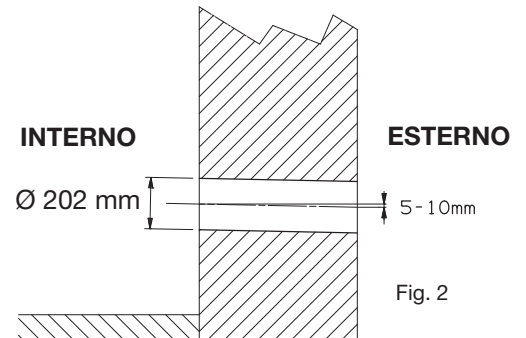
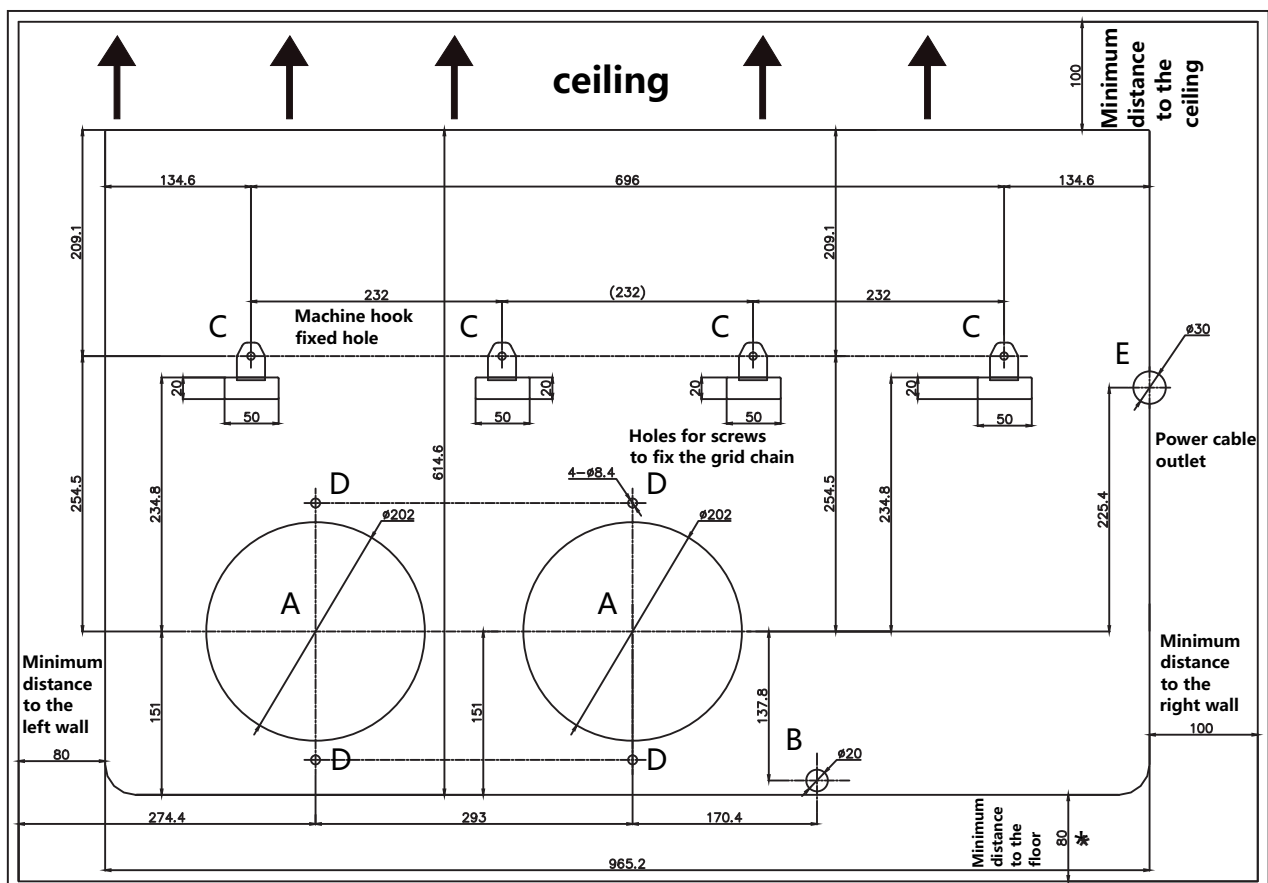


Fig. 2

- A Fori per l'aria Ø 202 mm
- B Foro scarico condensa Ø 20 mm
- C Fori per staffe di appensione Ø 10 mm
- D Fori per le viti fissaggio catene griglia
- E Foro per uscita cavo alimentazione

DIMA DI FORATURA





PRECAUZIONE

IT

PRECAUZIONI PARTICOLARI DURANTE L'ESECUZIONE DEI FORI PER L'ARIA NEL MURO

- Forare il muro utilizzando gli strumenti adeguati per facilitare il lavoro e prevenire danni.
- I migliori strumenti per eseguire fori di grandi dimensioni nelle pareti sono trapani speciali chiamati carotatori con coppia di torsione molto elevata e velocità di rotazione regolabile a seconda del diametro del foro da praticare.
- È possibile collegare il carotatore a un sistema di aspirazione, al fine di prevenire un'eccessiva polvere.
- Fare attenzione che il materiale rimosso (espulso verso l'esterno) non colpisca persone o oggetti quando cade.

NOTE PER LE STAFFE DI APPENSIONE

- Se il muro non è molto solido, si consiglia di utilizzare alcuni bulloni di ancoraggio aggiuntivi.
- La maggior parte del peso dell'apparecchio è sul lato destro, quindi assicurarsi che il fissaggio sia più sicuro su questo lato.
- I tasselli di ancoraggio forniti richiedono fori con un diametro di 10 mm.
- Ad ogni modo, si prega di scegliere il miglior ancoraggio possibile in base al tipo di muro.

- Piega le alette del foglio di plastica in dotazione (fig.3).

Tagliare a misura i fogli in plastica a corredo per ricavare, arrotolandoli (Fig.4), due tubi della giusta misura (è necessario rilevare lo spessore del muro e sottrarre 40 mm per lasciare lo spazio necessario alle griglie).

- Inserire nei due fori i tubi di plastica ricavati, prestando attenzione alla linea di giunzione (Fig. 5), che deve sempre essere rivolta verso l'alto.

Taglia il tubo alla giusta lunghezza sull'altro lato del muro. (Fig. 6)

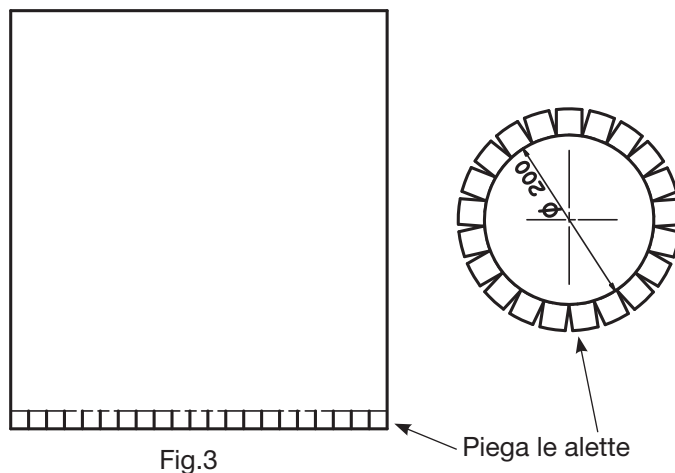


Fig.3

Piega le alette

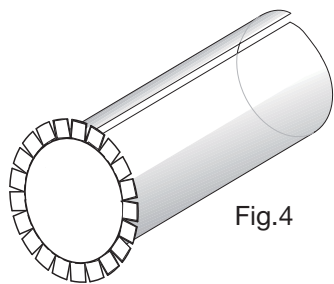


Fig.4

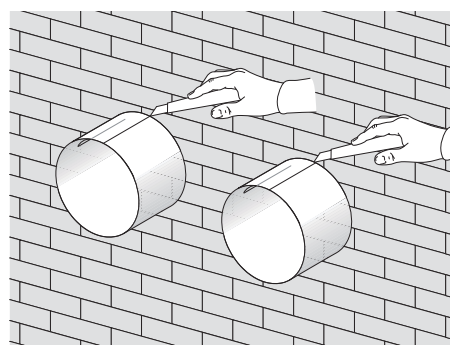


Fig. 6

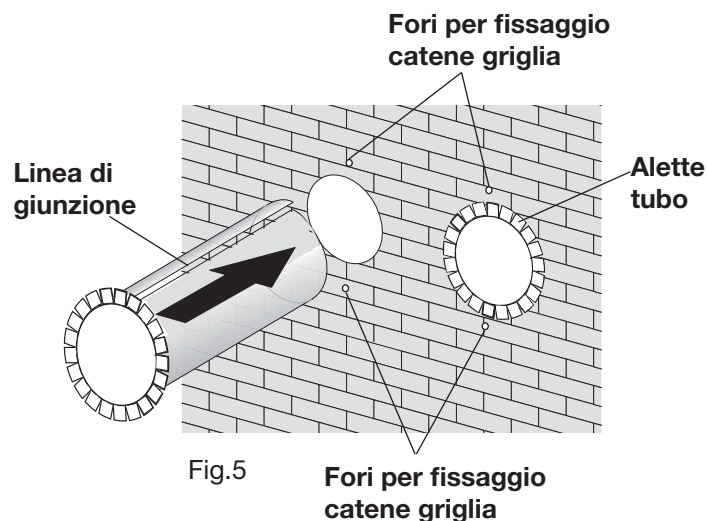


Fig.5

Fori per fissaggio catene griglia

NOTE

- Il foglio in plastica in dotazione è adatto per pareti fino a 50 cm di spessore.
- La lunghezza massima consentita è di 1 m.
- In caso acquistiate i tubi in plastica, devono essere lisci all'interno.
- I tubi non possono essere curvati o piegati.

- Fissare le due griglie esterne, come segue:

- Applicare il nastro isolante adesivo (Fig. 7) sopra le alette del tubo al muro. (Fig. 5)
- Infilare l'occhiello più piccolo della molla sul tappo in plastica della griglia (2 tappi + 2 molle per ogni griglia). Fig. 8
- Inserire i due tappi (con molla), nella parte anteriore della griglia esterna, nei loro alloggiamenti, tirando fino allo scatto. (Fig. 9)
- Tagliare le due catene fornite per ottenere 4 pezzi (2 pezzi per griglia).
- Agganciare le catene all'occhiello grande della molla.
- Usando una mano, afferrare le due catene collegate alla griglia.
- Piega indietro le griglie esterne, afferrandole con la mano libera nel punto in cui si piegano e inserisci le dita all'interno delle singole alette. (Fig. 10)
- Inserire il braccio nel tubo fino a quando la griglia sporge completamente verso l'esterno.
- Riaprire la griglia, facendo attenzione a tenere le dita dentro le alette.
- Ruotare la griglia fino a quando le alette sono completamente orizzontali e inclinate verso il basso.
- Tirare la catena, tendendo la molla e fissare gli anelli della catena nei fori del muro (fig. 5 - 7) utilizzando le viti con rondella fornite.
- Tagliare eventuali maglie di catena in eccesso.

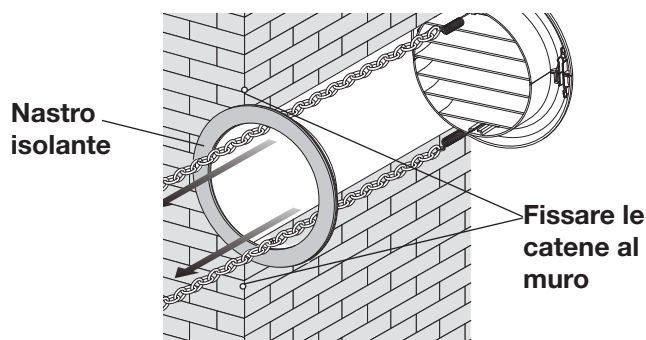


Fig. 7

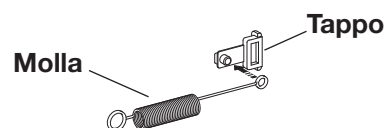


Fig. 8

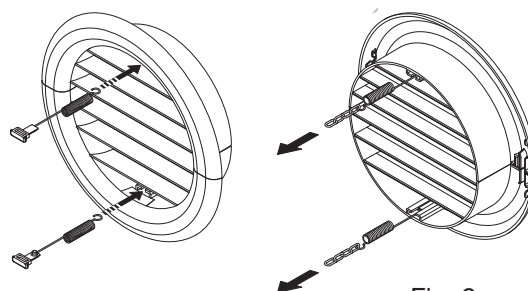


Fig. 9

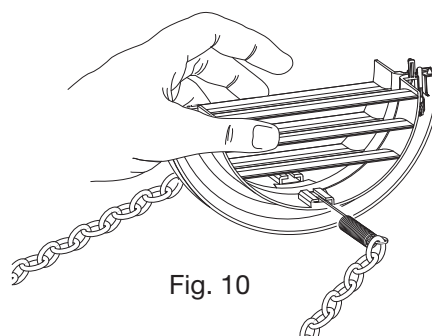


Fig. 10

NOTA

È necessario utilizzare le griglie fornite o griglie con le stesse caratteristiche.

3-2 PREPARAZIONE PER LO SCARICO CONDENZA

Collegare l'unità al tubo scarico condensa fornito tramite l'apposito attacco (fig. 11 - **A**) che si trova sul retro dell'unità (rimuovere il tappo **B**).

Quando il livello dell'acqua raggiunge il livello massimo, la condensa fuoriesce dal foro del telaio.

Poiché la condensa scarica per gravità, deve esserci una pendenza minima di almeno il 3% in ogni punto della linea di scarico. Nel caso in cui non si utilizzi il tubo in dotazione, scegliere un tubo rigido o flessibile con un diametro interno di almeno 16 mm.



PRECAUZIONE

Assicurarsi che l'acqua espulsa verso l'esterno non danneggi o disturbi persone o cose. Durante l'inverno questo tipo di drenaggio può causare la formazione di strati di ghiaccio.

Una volta collegato lo scarico della condensa, prestare molta attenzione a non comprimere il tubo.

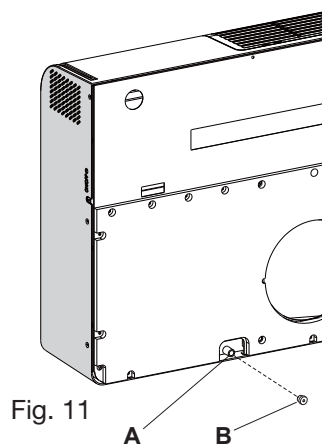


Fig. 11

- Appendere l'unità alle staffe di appensione inserendo contemporaneamente il tubo di scarico condensa nel foro del muro.

Sollevare l'unità tenendola dai lati del basamento.

Per facilitare l'operazione di fissaggio alla staffa, inclinarla leggermente verso di sé.

Per effettuare il collegamento elettrico e fissare il tubo di scarico, posizionare un cuneo tra il climatizzatore e la parete.

Al termine, ispezionare attentamente per assicurarsi che non vi siano fessure sul retro del climatizzatore (l'isolante deve aderire saldamente alla parete) in particolare nelle zone delle griglie. (Fig. 12-13)

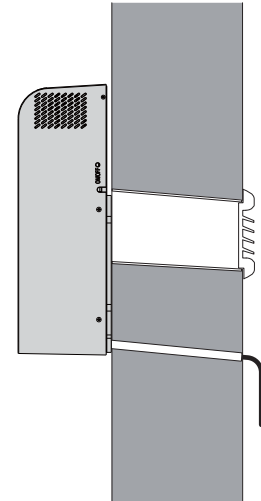


Fig. 12

- Se la presa è in prossimità dell'apparecchio, è sufficiente collegarlo.

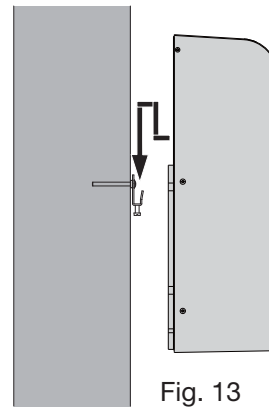
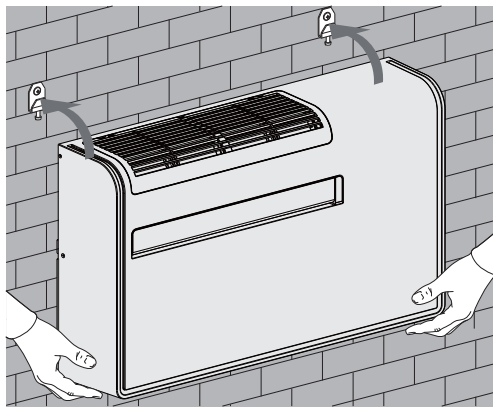


Fig. 13

3-3 - COLLEGAMENTO ELETTRICO

Il collegamento elettrico dell'unità è di tipo Y con cavo preparato in modo speciale; qualora fosse danneggiato dall'uso, per la sostituzione, rivolgersi al Centro Assistenza.



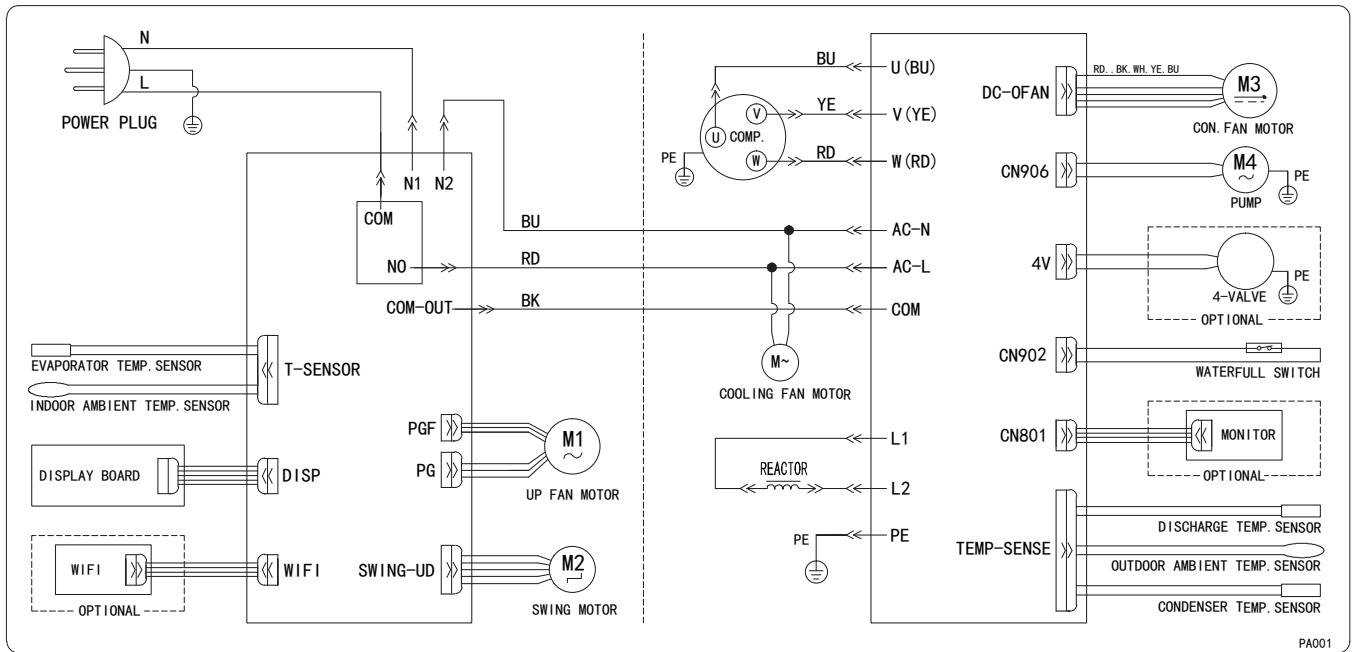
PRECAUZIONE

Prima di collegare il climatizzatore, assicurarsi che:

- La tensione dell'alimentazione principale è uguale alla tensione indicata sulla targhetta dell'unità.
- La linea di alimentazione ha un collegamento a terra ed è correttamente dimensionata per il massimo ingresso elettrico del climatizzatore (sezione minima del cavo: $1,5\text{mm}^2$).
- Il climatizzatore è alimentato solo attraverso una presa compatibile con la spina in dotazione.

Il dispositivo di disconnessione dalla rete di alimentazione deve avere una distanza di apertura dei contatti che consenta la disconnessione completa nelle condizioni della categoria di sovratensione III.

4 - SCHEMA ELETTRICO



Colori dei cavi

BK	Nero
BN	Marrone
BU	Blu
GN	Verde
RD	Rosso
WT	Bianco
YE	Giallo

INDICE

1 - Generalidades	3
2 - Presentación	4
3 - Instalación	6
4 - Esquema electrico	11

REGLAMENTO (UE) n ° 517/2014 - F-GAS

La unidad contiene R32, un gas fluorado de efecto invernadero con un potencial de calentamiento global (GWP) de 675. No dispersar R32 en la atmósfera.

R32: 0,39 kg / 0,26 Tonn. CO2 eq.

Alimentación eléctrica:

220 - 240 V ~ / 1 / 50 Hz



La unidad contiene R32, un gas ligeramente inflamable.



Antes de instalar la unidad, Lea este manual de instalación y siga estrictamente las instrucciones de seguridad. Consulte siempre un Centro de Asistencia Airwell.



Cualquier reparación debe ser realizada por personal calificado, siguiendo las instrucciones contenidas en el manual técnico del fabricante.

IMPORTANTE

- No utilice medios para acelerar el proceso de descongelación o para limpiar, aparte de los recomendados por el fabricante.
- La unidad debe colocarse en una habitación sin fuentes de ignición con funcionamiento continuo (por ejemplo: llamas abiertas, aparatos que funcionen con gas o estufas eléctricas operativas).
- No perforar, ni quemar la unidad.
- Atención! Los refrigerantes no tienen olor.
- La instalación, el uso y el mantenimiento de la unidad deben llevarse a cabo en una habitación de más de 3m². La habitación debe estar bien ventilada.

EN CASO DE MANTENIMIENTO EN EL CIRCUITO DE REFRIGERACIÓN

- Hacer instalar la unidad por personal cualificado y con licencia F-GAS sin ninguna integración.
- El instalador debe tener el equipo apropiado (bomba de vacío y recuperador) certificado para R32.

¡IMPORTANTE!

Leer antes de comenzar la instalación

Este acondicionador de aire debe seguir estrictos estándares de seguridad y funcionamiento.

Es muy importante que el instalador o el personal de asistencia instale y repare el acondicionador de aire de manera tal que funcione con seguridad y eficiencia.



ADVERTENCIA

Peligro o uso inadecuado que puede provocar lesiones o muerte.



PRECAUCIÓN

Peligro o uso inadecuado que puede provocar lesiones y daños en el aparato o en la vivienda.

Recomendaciones

- El personal encargado de recibir el acondicionador de aire deberá efectuar un control visual para detectar cualquier daño ocurrido durante el transporte: circuito frigorífico, armario eléctrico, bastidor, carrocería.

Para una instalación segura y un buen funcionamiento es necesario:

- Leer atentamente este manual de instrucciones antes de comenzar.
- Seguir con exactitud todas las instrucciones de instalación y reparación.
- Observar todas las normas eléctricas (y de seguridad) locales, regionales y nacionales.
- Prestar mucha atención a todas las notas de advertencia y precaución contenidas en este manual.
- Utilizar una línea eléctrica específica para la alimentación de la unidad.
- Hacer instalar la unidad por personal cualificado.
- Antes de realizar la instalación verificar que la tensión de alimentación de la red eléctrica corresponde con la indicada en la tarjeta de la unidad.
- Se aconseja instalar antes del enchufe de alimentación un interruptor bipolar, con fusible de protección de 10 A del tipo retardado.
- ATENCION!
El acondicionador está dotado de un sistema de protección contra sobrecargas que impide el arranque del mismo si no han transcurrido por lo menos 3 minutos desde la parada anterior.

Pedir ayuda si es necesario

Con estas instrucciones usted tiene prácticamente todo lo que necesita para llevar a cabo la instalación y la manutención. En caso de que le sirviera ayuda para algún problema, no dude en contactar nuestros puntos de venta/asistencia o a su proveedor.

En caso de instalación incorrecta

El productor no se hace responsable de operaciones de instalación o mantenimiento incorrectas por incumplimiento de las instrucciones de este manual.



ADVERTENCIA Durante el cableado

LAS DESCARGAS ELÉCTRICAS PUEDEN CAUSAR LESIONES MUY GRAVES O MUERTE. SÓLO ELECTRICISTAS CUALIFICADOS Y EXPERTOS PUEDEN INTERVENIR EN EL SISTEMA ELÉCTRICO.

- Antes de alimentar la unidad, todos los cables deben estar completos, conectados y controlados, para asegurar la conexión a tierra.
- En este circuito eléctrico se utilizan tensiones eléctricas altamente peligrosas. Consultar el esquema eléctrico y estas instrucciones durante la conexión.
Una conexión o una puesta a tierra inadecuada puede causar lesiones accidentales o muerte.
- **Realizar la conexión a tierra de la unidad** siguiendo las normas eléctricas locales.
- El conductor amarillo/verde no se puede utilizar para conexiones que no sean la conexión a tierra.
- Fijar bien los cables. Una conexión inadecuada puede causar recalentamientos o incendios.
- No deje que ninguna conexión contacte con el tubo de refrigerante, compresor o parte móviles del ventilador.
- No utilizar cables de varios conductores para conectar la alimentación y las líneas de control. Utilizar cables separados para cada tipo de línea.

Durante el transporte

Tener cuidado al levantar y al mover las unidades. Es aconsejable pedir ayuda a alguien y doblar las rodillas al levantarlas para evitar problemas de espalda. Los bordes afilados y las hojas de aluminio de la unidad podrían causar cortes en los dedos.

Durante la instalación...

Asegurarse de que la pared sea suficientemente resistente como para soportar el peso de la unidad. Podría hacer falta construir un bastidor de madera o metal para proporcionar un mayor soporte.

1 - GENERALIDADES

CONDICIONES DE UTILIZACIÓN

LÍMITES DE FUNCIONAMIENTO		
ENFRIAMIENTO		
CONDICIONES MÁXIMAS	TEMPERATURA EXTERIOR TEMPERATURA INTERIOR	43°C B.S. 30°C B.S.
CONDICIONES MÍNIMAS	TEMPERATURA EXTERIOR TEMPERATURA INTERIOR	-10°C B.S. 16°C B.S.
CALEFACCION		
CONDICIONES MÁXIMAS	TEMPERATURA EXTERIOR TEMPERATURA INTERIOR	24°C B.S. 30°C B.S.
CONDICIONES MÍNIMAS	TEMPERATURA EXTERIOR HABITACIÓN INTERIOR	-15°C B.S. 10°C B.S.

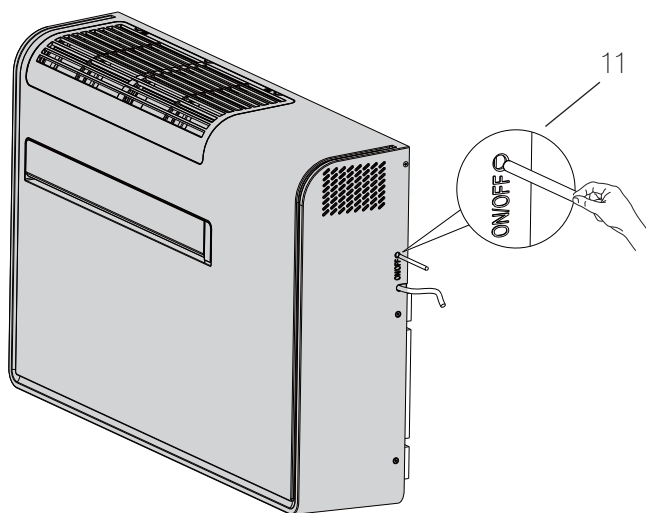
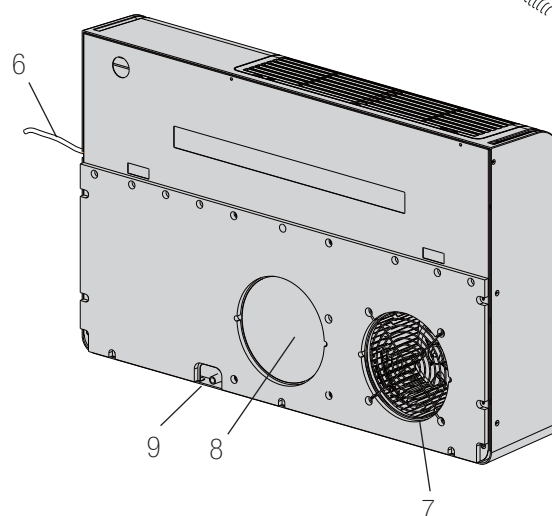
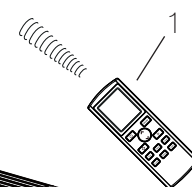
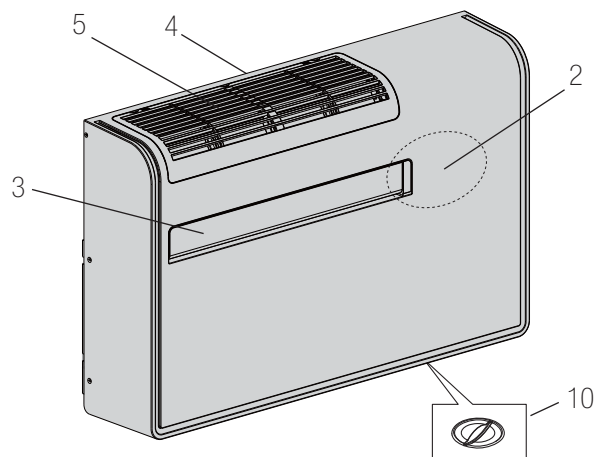
PRECAUCIONES PARTICULARES

- Limpiar solo con detergentes neutros.
- No coloque objetos encima de la unidad.
- No vierta líquidos sobre la unidad.

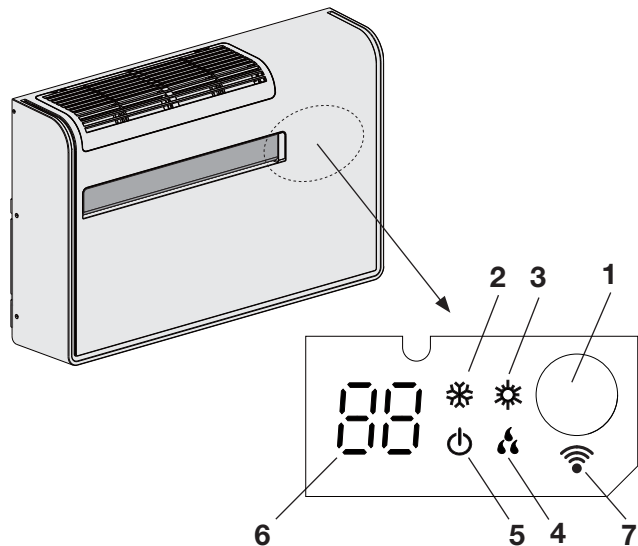
2 - PRESENTACIÓN

2.1 - DESCRIPCIÓN DE LAS PARTES

1. Mando a distancia de rayos infrarrojos
2. Luces de señalizaciones y receptor
3. Deflector salida aire
4. Rejilla aspiración aire inferior (extraíble)
5. Filtro del aire
6. Cable eléctrico con clavija
7. Agujero entrada del aire con ventilador
8. Agujero expulsión del aire
9. Drenaje de la condensación
10. Tapa de servicio para drenaje de la condensación
11. Selector de funcionamiento



2.2 - LUZES DE SEÑALIZACIONES




1. **Receptor:** recibe las señales enviadas por el mando a distancia.
2. **Luz REFRIGERACIÓN:** Se enciende cuando el acondicionador está funcionando en modo de refrigeración.
3. **Luz CALEFACCIÓN:** Se enciende cuando el acondicionador está funcionando en modo de calefacción.
4. **Luz DESHUMIDIFICACIÓN:** Se enciende cuando el acondicionador está funcionando en modo de deshumidificación.
5. **Luz de espera (STANDBY):** Esta luz se enciende cuando el acondicionador se apaga con el mando a distancia y también indica el estado de WIFI durante el funcionamiento de la unidad.
6. **VISOR DIGITALE:** puede mostrar información como temperatura establecida, temperatura ambiente, temperatura de la batería, estado, código de error, etc..
7. **WIFI:** Esta luz se enciende cuando el acondicionador está funcionando en WIFI.



PELIGRO

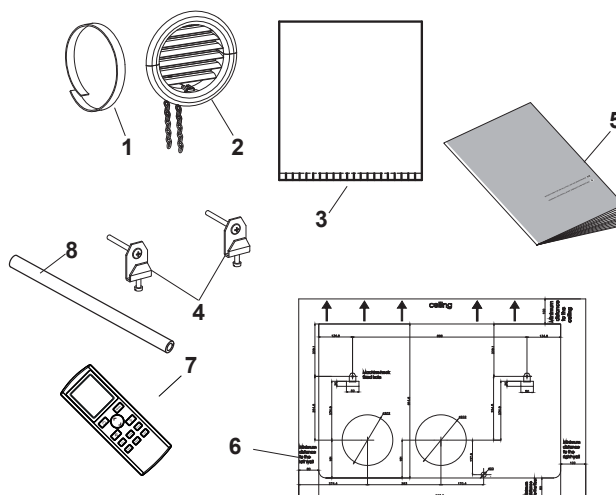
La posición OFF no interrumpe la alimentación eléctrica. Para cortar la corriente es preciso usar el interruptor principal.

NOTAS

- Es posible regular el acondicionador de modo que todas las luces sean siempre apagadas, también durante el funcionamiento. presionando el botón LIGHT del mando a distancia.
Si el símbolo  en el mando a distancia está encendido, el visor del acondicionador está encendido; si el símbolo está apagado, el visor del acondicionador está apagado.
- En todos casos de problemas de funcionamiento el acondicionador activa las luces correspondientes, también si están regulados para apagarse. Ver párrafo **PROBLEMAS DE FUNCIONAMIENTO - IDENTIFICACIÓN Y SOLUCIONES** para informaciones adicionales.

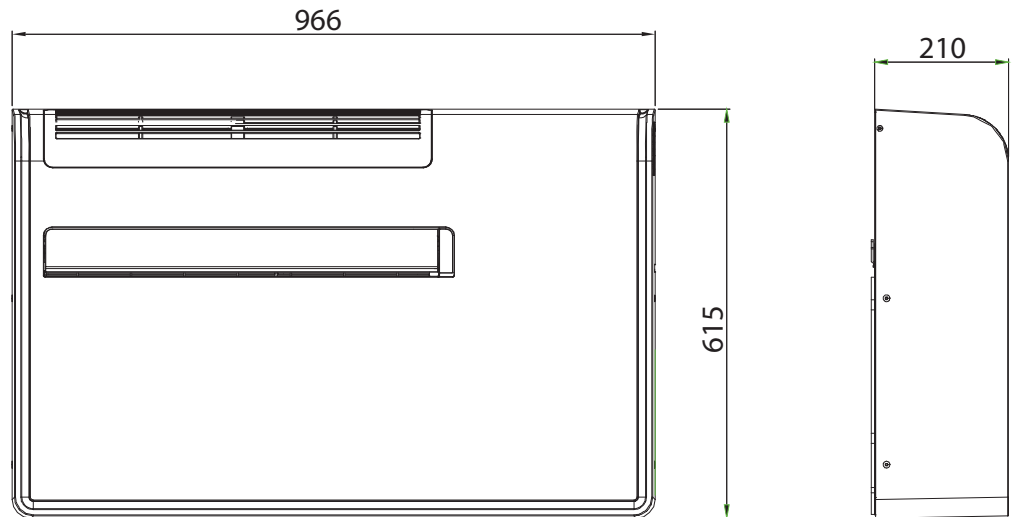
2.3 - MATERIAL SUMINISTRADO

1. Tira de cinta aislante adhesiva (nº2)
2. Rejillas exteriores de entrada y salida de aire, incluyendo cadenas y kit para instalar las rejillas (nº2)
3. Hoja de plástico (nº2)
4. Placas de soporte (nº2)
5. Manuales de uso e instalación
6. Plantilla de perforación
7. Mando a distancia
8. Tubo de drenaje de condensación



2.4 - DIMENSIONES Y PESO

Modelo	Peso (kg)
XDAW	36



Unit: mm

ES

3 - INSTALACIÓN

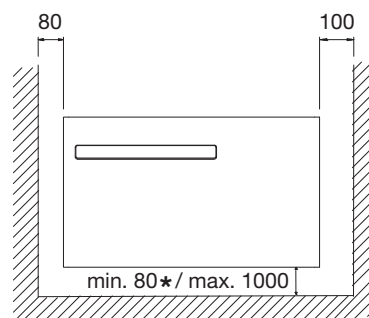
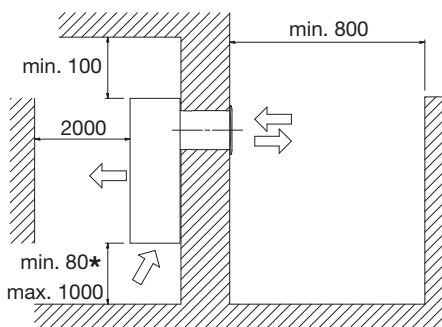
3.1 - LUGAR DE INSTALACIÓN

EVITAR

- Zonas expuestas a fuentes de calor y corrientes de aire caliente.
- La proximidad de materiales combustibles.
- Exposición directa al sol.
- Lugares donde pueda salpicar agua a la unidad o lugares excesivamente húmedos (por ejemplo, una lavandería).
- Lugares donde el punto de apoyo no sea completamente estable, ya que pueden provocar vibraciones, ruidos y posibles pérdidas de agua.

NOTAS IMPORTANTES

- La pared debe comunicar con el exterior.
- Controlar que la pared de apoyo es lo suficientemente resistente como para soportar el peso de la unidad.
- Fijar la unidad a una altura mínima de 8 cm.
- Dejar una área mínima de funcionamiento y mantenimiento alrededor de la unidad. (Ver la figura).
- Asegurarse de que el aire circule libremente en la unidad.
- La unidad no tiene que encontrarse en una posición tal que el flujo del aire se dirija directamente a las personas, electrodomésticos o fuentes de calor.
- La unidad no debe instalarse directamente encima de otro aparato (TV, radio, refrigerador, etc.).



Unit: mm

***¡Advertencia! Sin embargo, para facilitar el drenaje de condensado de la tapa de servicio, se recomienda instalar la unidad a una altura mínima de 300mm.**



PRECAUCIÓN

Una vez elegida la posición para la instalación, teniendo en cuenta los criterios antes expuestos, asegurarse de que no hayan partes eléctricas o instalaciones en las zonas donde se realizarán los agujeros.

Controlar además que no haya obstáculos a la libre circulación del aire exterior a través de los tubos en la pared. La distancia mínima de cualquier muro u obstáculo debe ser de 80 cm.

3.2 - CÓMO INSTALAR LA UNIDAD

- Colocar la plantilla de perforación y nivelarla. (Fig. 1)
- Realizar los dos agujeros para aire (A) como se indica en la plantilla de perforación; realizar el agujero (B) para la descarga de la condensación hacia el exterior; asegurar una inclinación hacia el exterior - Fig. 2.
- Luego, realizar los agujeros para las placas de soporte (C) en la pared usando los 2 agujeros para los soportes como se indica en la plantilla de perforación.
- Luego, realizar 4 agujeros (D) para arreglar las cadenas de las rejillas.

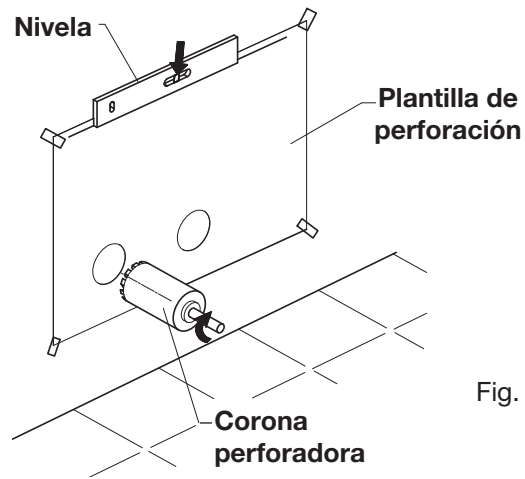


Fig. 1

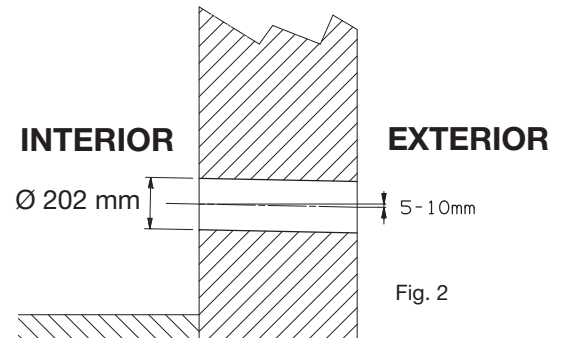
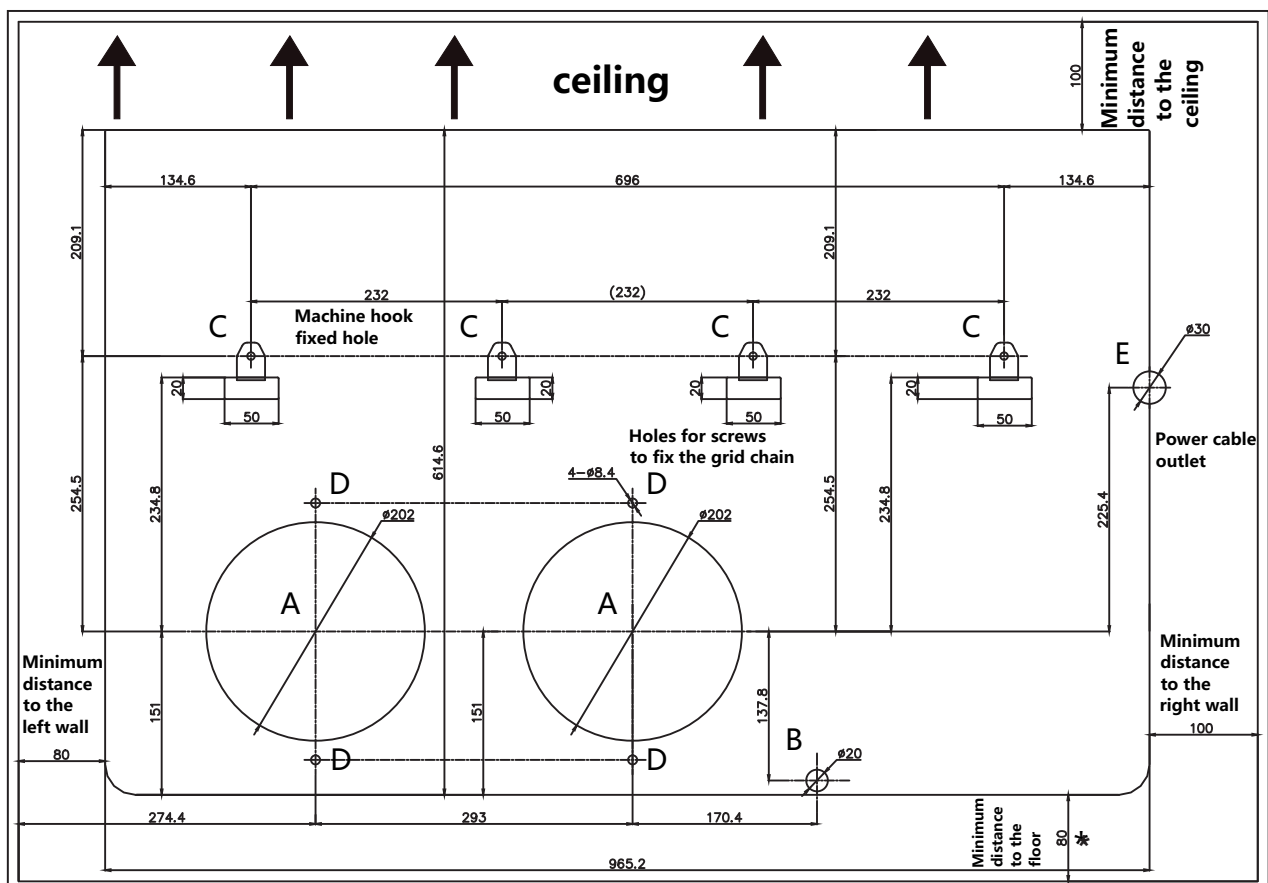


Fig. 2

- A** Agujeros para aire Ø 202 mm
- B** Agujero para drenaje de condensación Ø 20 mm
- C** Agujeros para placas de soporte Ø 10 mm
- D** Agujeros para tornillos que fijan las cadenas de la rejilla
- E** Agujero para salida del cable de alimentación

PLANTILLA DE PERFORACIÓN





PRECAUCIÓN

PRECAUCIONES ESPECIALES DURANTE LA EJECUCIÓN DE LOS AGUJEROS PARA EL AIRE EN LA PARED

- Perfore la pared con las herramientas adecuadas para facilitar el trabajo y evitar daños.
- Las mejores herramientas para hacer agujeros grandes en las paredes son los taladros especiales llamados taladros de núcleo con un par de torsión muy alto y una velocidad de rotación ajustable de acuerdo con el diámetro del agujero que se perforará.
- Es posible conectar el taladro de núcleo a un sistema de succión, para evitar el exceso de polvo.
- Asegúrese de que el material extraído (expulsado hacia afuera) no golpee a personas u objetos cuando caiga.

ES

NOTAS PARA LAS PLACAS DE SOPORTE

- Si la pared no es muy sólida, se recomienda usar algunos pernos de anclaje adicionales.
- La mayor parte del peso del aparato está en el lado derecho, así que asegúrese de que la fijación sea más segura en este lado.
- Los pernos de anclaje suministrados requieren agujeros con un diámetro de 10 mm.
- Sin embargo, elija el mejor anclaje posible según el tipo de muro.

- Doblar las pestañas de la hoja de plástico suministrado (fig.3).

Corte a medida las hojas de plástico suministradas para obtener, enrollándolos, dos tubos del tamaño correcto (es necesario saber el espesor de la pared y deducir 40 mm para dejar el espacio necesario para las rejillas).

- Introducir los tubos de plástico obtenidos en los dos agujeros, prestando atención a la costura (Fig. 5), que siempre debe estar mirando hacia arriba.

Corte el tubo a la longitud correcta al otro lado de la pared. (Fig. 6)

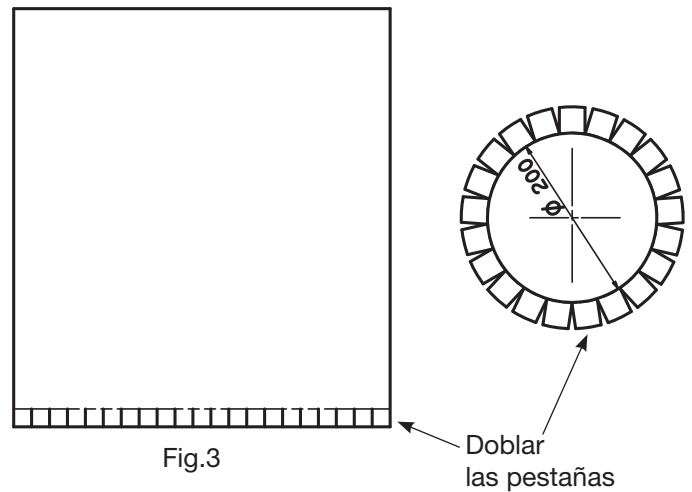


Fig.3

Doblar las pestañas

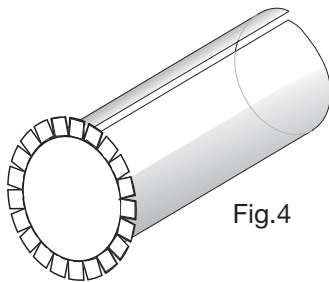


Fig.4

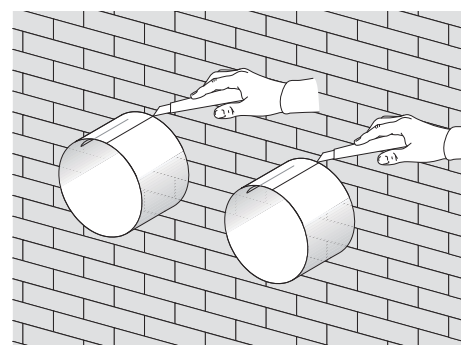


Fig. 6

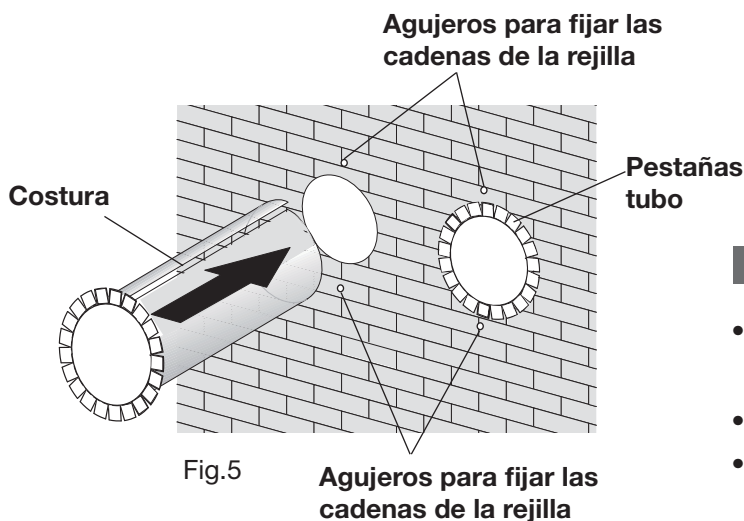


Fig.5

Agujeros para fijar las cadenas de la rejilla

NOTAS

- La hoja de plástico suministrada pueden utilizarse para paredes hasta 50 cm de espesor.
- La longitud máxima admitida es 1 m.
- Si compra los tubos de plástico, deben ser lisos por dentro.
- Los tubos no pueden ser curvos o doblados.

- Sujete las dos rejillas externas, de la siguiente manera:
 - Aplicar la cinta aislante adhesiva (Fig. 7) sobre las pestañas del tubo a la pared. (Fig. 5)
 - Inserte el ojal más pequeño del resorte en la tapa de plástico de la rejilla (2 tapas + 2 resortes para cada rejilla). Fig. 8
 - Inserte las dos tapas (con resorte), en la parte delantera de la rejilla exterior, en sus alojamientos, tirando hacia arriba al clic. (Fig. 9)
 - Cortar las dos cadenas proporcionadas para obtener 4 piezas (2 piezas para cada rejilla).
 - Enganche las cadenas al ojal grande del resorte.
 - Con una mano, agarre las dos cadenas conectadas a la rejilla.
 - Doble las rejillas exteriores hacia atrás, sujetándolas con tu mano libre donde se pliegan e inserta tus dedos dentro de las aletas individuales. (Fig. 10)
 - Inserte el brazo en el tubo hasta que la rejilla sobresalga completamente hacia afuera.
 - Vuelva a abrir la parrilla, teniendo cuidado de mantener los dedos dentro de las aletas.
 - Gire la rejilla hasta que las aletas estén completamente horizontales e inclinadas hacia abajo.
 - Tire de la cadena, manteniendo el resorte y fije los anillos de la cadena en los agujeros de la pared (fig. 5 - 7); usar los tornillos con arandela fornecidos.
 - Cortar cualquier exceso de eslabones de la cadena.

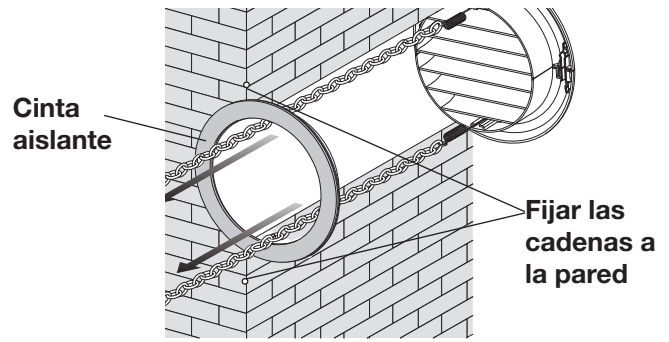


Fig. 7

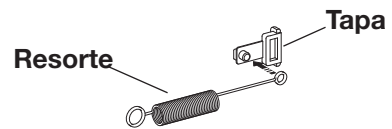


Fig. 8

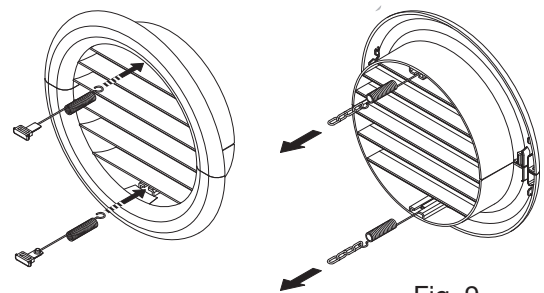


Fig. 9

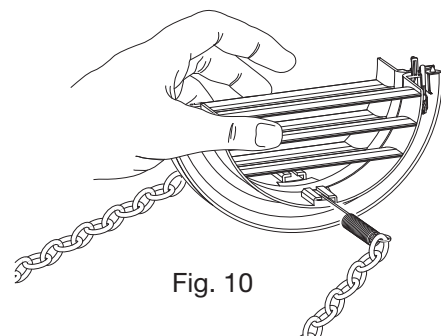


Fig. 10

NOTA

Es necesario utilizar las rejillas suministradas o rejillas con las mismas características.

3-2 PREPARACIÓN PARA LA DESCARGA CONDENSADA DE LA CONDENSACIÓN

Conecte la unidad al tubo de drenaje de condensación fornecido a través de la conexión adecuada (fig. 11 - A) que se encuentra en la parte posterior de la unidad (quitar la tapa B).

Cuando el nivel del agua alcanza el nivel máximo, el agua de condensación sale del agujero.

Dado que el agua de condensación drena por gravedad, debe haber una pendiente mínima de al menos 3% en cada punto de la línea de drenaje. Si no se utiliza el tubo suministrado, elija un tubo rígido o flexible con un diámetro interno de al menos 16 mm.



PRECAUCIÓN

Asegúrese de que el agua expulsada al exterior no dañe ni moleste a las personas ni a las cosas. Durante el invierno, este tipo de drenaje puede causar la formación de capas de hielo.

Una vez que el drenaje de condensación esté conectado, tenga mucho cuidado de no comprimir el tubo.

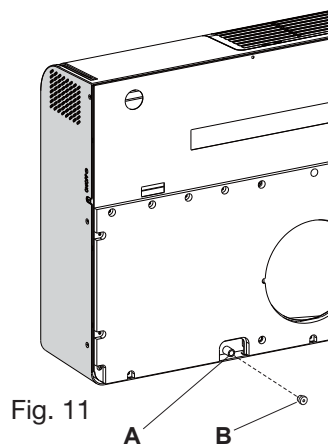


Fig. 11

- Colgar la unidad a la placas de soporte insertando simultáneamente el tubo de drenaje de condensación en el orificio de la pared.

Levante la unidad sosteniéndola por los lados de la base.

Para facilitar la operación de fijación al soporte, inclínelo ligeramente hacia usted.

Para realizar la conexión eléctrica y fijar el tubo de drenaje, coloque una cuña entre el acondicionador y la pared.

Cuando termine, inspeccione cuidadosamente para asegurarse de que no haya espacios en la parte posterior del acondicionador (el aislamiento debe adherirse firmemente a la pared) especialmente en las áreas de las rejillas. (Fig. 12-13)

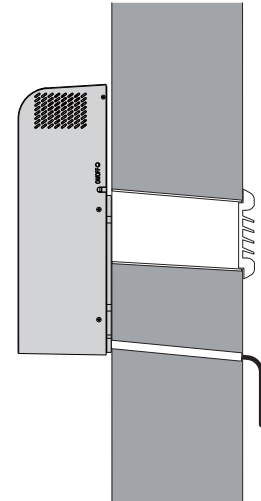


Fig. 12

- Si la toma de corriente está cerca del aparato, simplemente conéctelo.

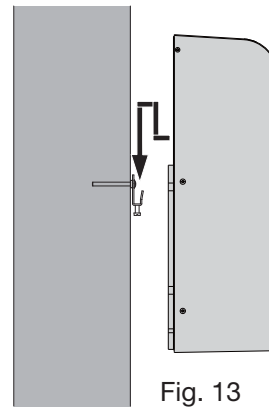
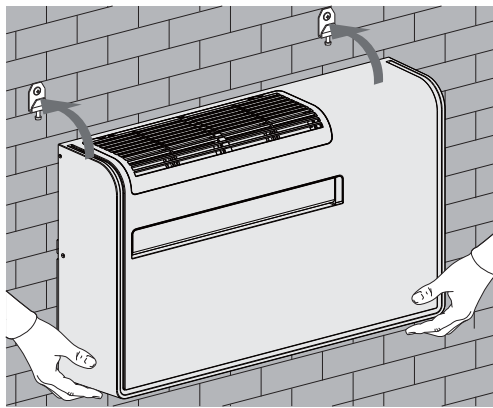


Fig. 13

3-3 - CONEXIÓN ELÉCTRICA

El acondicionador de aire está equipado con un cable de alimentación con enchufe (la conexión eléctrica de la unidad es del tipo Y con el cable preparado en modo especial; cualquier reemplazo solo debe ser llevado por un Centro de Servicio autorizado).



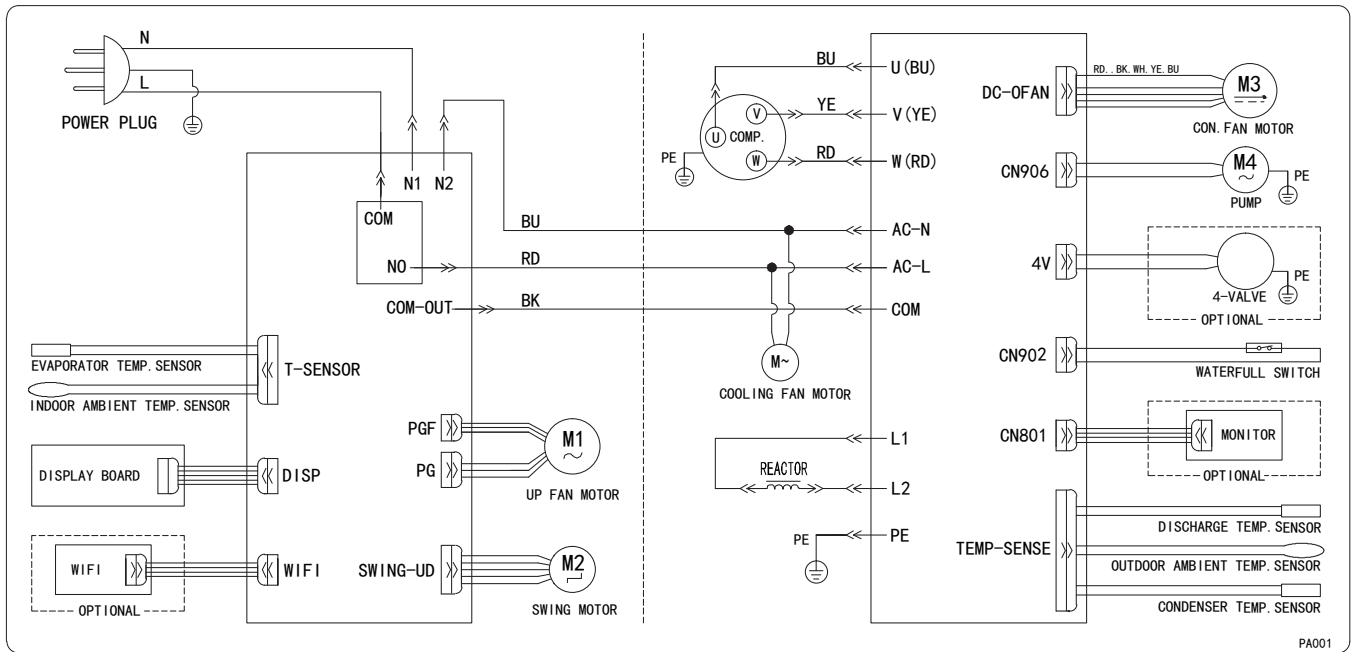
PRECAUCIÓN

Antes de conectar el acondicionador de aire, asegúrese de que:

- La tensión de alimentación de la red eléctrica corresponde con la indicada en la tarjeta de la unidad.
- La línea de alimentación esté equipada con una conexión a tierra y tenga el tamaño correcto para una absorción máxima del acondicionador de aire (sección mínima de los cables: 1,5mm²).
- El acondicionador de aire solo funcione con un toma compatible con el enchufe suministrado.

El dispositivo de desconexión de la red tiene que haber una distancia de apertura de contactos que permite la desconexión completa en las condiciones de la categoría de sobrevoltaje III.

4 - ESQUEMA ELÉCTRICO



Colori dei cavi

BK	Negro
BN	Marrón
BU	Azul
GN	Verde
RD	Rojo
WT	Blanco
YE	Amarillo

ES

PA001

INDICE

1 - Generalidades	3
2 - Apresentação	4
3 - Instalação	6
4 - Esquema electrico	11

REGULAMENTO (UE) no 517/2014 - F-GAS

A unidade contém R32, um gás fluorado com efeito estufa, com um potencial de aquecimento global (GWP) = 675. Não liberta o R32 no ambiente.

R32: 0,39 kg / 0,26 Tonn. CO2 eq.

Alimentação de energia:

220 - 240 V ~ / 1 / 50 Hz



A unidade contém R32, um gás levemente inflamável.



Antes de instalar a unidade, leia este manual de instalação e siga rigorosamente as instruções de segurança. Contactar sempre um centro de serviço Airwell.



Qualquer reparo deve ser realizado por pessoal qualificado, seguindo as instruções contidas no manual técnico do fabricante.

IMPORTANTE

- Não use meios para acelerar o processo de descongelamento ou para limpar, além daqueles recomendados pelo fabricante.
- A unidade deve ser colocada em uma sala sem fontes de energia contínuas (por exemplo: chamas livres, um aparelho a gás em operação ou um aquecedor elétrico em operação).
- Não perfure, não queime a unidade.
- Aviso! Refrigerantes não cheiram.
- Esta unidade deve ser instalada, colocada em funcionamento e armazenada numa sala com uma superfície superior a 3m². A sala deve ser bem ventilada.

EM CASO DE MANUTENÇÃO NO CIRCUITO DE REFRIGERAÇÃO

- Fazer instalar a unidade por pessoal especializado e na posse da licença F-GAS sem qualquer integração.
- O instalador deve ter o equipamento apropriado (bomba de vácuo e recuperador) certificado para R32.

IMPORTANTE!

Leia antes de iniciar a instalação

Este aparelho de ar condicionado segue rígidos padrões de segurança e de funcionamento.

Para o instalador ou técnico da assistência, é muito importante instalar ou reparar o aparelho de ar condicionado de modo que este opere com segurança e eficiência.



ADVERTÊNCIA

Este símbolo refere-se a perigo ou à utilização imprópria que podem provocar lesões ou morte.



PRECAUÇÃO

Este símbolo refere-se a perigo ou à utilização imprópria que podem provocar lesões, danos ao aparelho ou à residência.

Recomendações

- O pessoal responsável pela recepção do aparelho de ar condicionado deverá fazer uma inspeção visual para colocar em evidência os eventuais danos sofridos pelo aparelho durante o transporte: circuito de refrigeração, armário elétrico, estrutura e armação.

Para uma instalação segura e um bom funcionamento é necessário:

- Ler atentamente este manual de instruções antes de iniciar.
- Seguir todas as instruções de instalação ou conserto exatamente como indicado.
- Observar todas as normas elétricas (e de segurança) locais, estaduais e nacionais.
- Observar atentamente todas as notas de advertência e de precaução indicadas neste manual.
- Utilizar uma linha elétrica dedicada para a alimentação da unidade.
- Fazer instalar a unidade por pessoal especializado.
- Antes da instalação, assegure-se que a voltagem da corrente corresponda àquela indicada no aparelho.
- A instalação de uma ficha dupla, protegida por fusíveis de 10 A é recomendada.
- AVISO!
O ar condicionado incorpora um sistema relógio que só permite o recomeço do seu funcionamento após três minutos depois da última paragem.

Se necessário pedir ajuda.

Estas instruções são tudo aquilo que é necessário para a maior parte dos tipos de instalação e manutenção. Caso seja necessária ajuda para um problema particular, contactar os nossos pontos de venda/assistência ou o seu revendedor para mais informações.

No caso de instalação incorreta

O fabricante não é responsável por uma incorreta instalação ou manutenção caso sejam desrespeitadas as instruções deste manual.



ADVERTÊNCIA Durante a cablagem

A DESCARGA ELÉTRICA PODE CAUSAR LESÕES MUITO GRAVES OU MORTE. SOMENTE ELETRICISTAS QUALIFICADOS E ESPECIALIZADOS PODEM INTERVIR NO SISTEMA ELÉTRICO.

- Não alimente a unidade até que, para assegurar a ligação à terra, todos os cabos estejam completados, ligados e verificados.
- Neste circuito elétrico são utilizadas voltagens elétricas altamente perigosas. Consulte o esquema elétrico e estas instruções durante a ligação.
Conexões impróprias e inadequadas da ligação à terra podem provocar lesões acidentais ou morte.
- **Realizar a ligação à terra da unidade** de acordo com as normas elétricas locais.
- O condutor amarelo/verde não pode ser utilizado para conexões diversas da ligação à terra.
- Fixe bem os cabos. Ligações inadequadas podem causar superaquecimento e um possível incêndio.
- Não deixe que a instalação elétrica toque na tubagem de refrigeração, no compressor ou em quaisquer peças móveis da ventoinha.
- Não utilize cabos com diversos condutores ao ligar a alimentação e as linhas de controlo. Use cabos separados para cada tipo de linha.

Durante o transporte

Prestar atenção ao elevar e deslocar a unidade. Recomenda-se pedir auxílio a alguém e dobrar os joelhos que se eleva para evitar esforçar as costas. As extremidades afiadas ou as finas folhas de alumínio da unidade poderão causar cortes nos dedos.

Durante a instalação...

Assegure-se que a parede seja suficientemente forte para suportar o peso da unidade. Pode ser necessário construir uma armação robusta de madeira ou metal para dar maior apoio.

1 - GENERALIDADES

CONDIÇÕES DE UTILIZAÇÃO

LIMITES DE OPERAÇÃO		
ARREFECIMENTO		
CONDIÇÕES MÁXIMAS	TEMPERATURA EXTERIOR TEMPERATURA AMBIENTE	43°C B.S. 30°C B.S.
CONDIÇÕES MÍNIMAS	TEMPERATURA ESTERNA TEMPERATURA AMBIENTE	-10°C B.S. 16°C B.S.
AQUECIMENTO		
CONDIÇÕES MÁXIMAS	TEMPERATURA EXTERIOR TEMPERATURA AMBIENTE	24°C B.S. 30°C B.S.
CONDIÇÕES MÍNIMAS	TEMPERATURA EXTERIOR AMBIENTE INTERIOR	-15°C B.S. 10°C B.S.

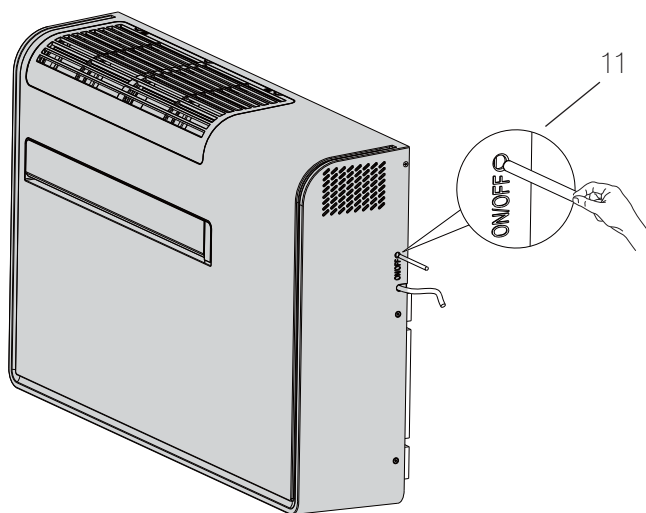
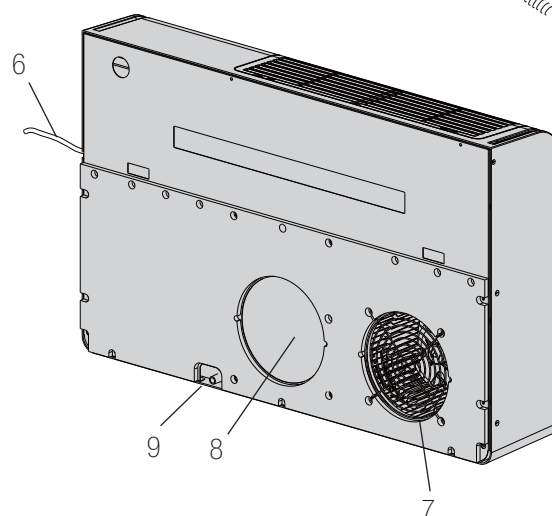
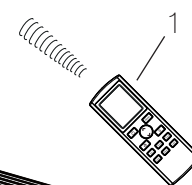
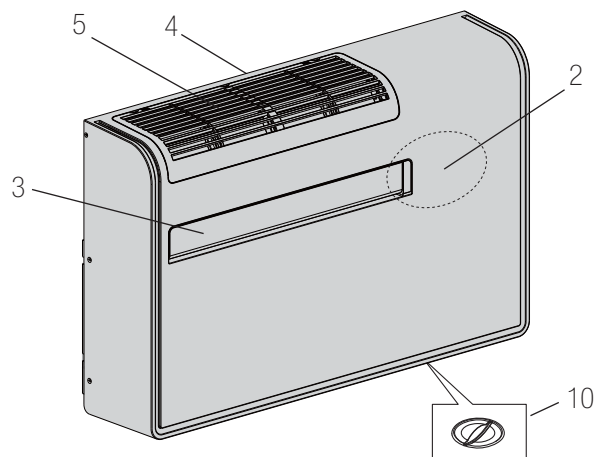
PRECAUÇÕES ESPECIAIS

- Limpe apenas com detergentes neutros.
- Não coloque objetos em cima da unidade.
- Não despeje líquidos em cima da unidade.

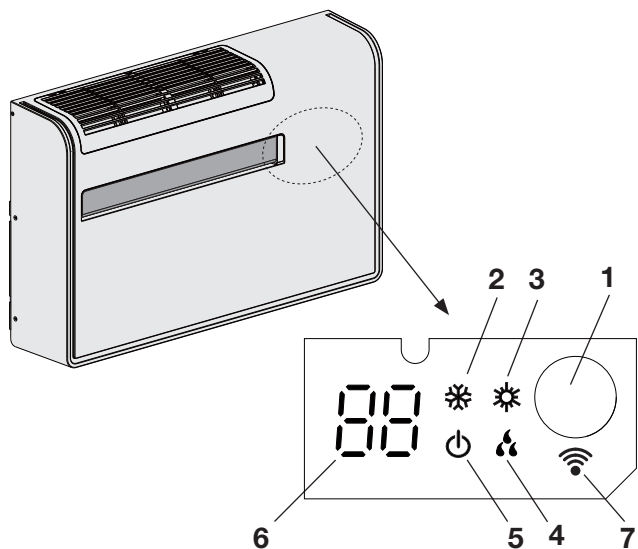
2 - APRESENTAÇÃO

2.1 - DESCRIÇÃO DAS PARTES

1. Mando a distancia de rayos infrarrojos
2. Luzes de señalizaciones e receptor
3. Deflector salida aire
4. Grelha inferior para aspiração de ar (removível)
5. Filtro aire
6. Cable eléctrico con clavija
7. Furo de entrada de ar com ventoinha
8. Furo de expulsão de ar
9. Drenagem de condensação
10. Tapa de serviço para drenagem de condensação
11. Selector de operação



2.2 - LUZES DE SINALIZAÇÃO



1. **Receptor** : recebe os sinais enviados pelo controle remoto.
2. **Luz ARREFECIMENTO**: Esta luz acende-se quando o ar condicionado está operando no modo de arrefecimento.
3. **Luz AQUECIMENTO**: Esta luz acende-se quando o ar condicionado está operando no modo de aquecimento.
4. **Luz DESUMIDIFICAÇÃO**: Esta luz acende-se quando o ar condicionado está operando no modo de desumidificação.
5. **Luz de espera (STANDBY)**: Esta luz acende-se quando o ar condicionado é desligado com o controle remoto e também indica o status WIFI durante a operação da unidade.
6. **VISOR DIGITAL**: pode mostrar informações como temperatura definida, temperatura ambiente, temperatura da bateria, status, código de erro, etc.
7. **WIFI**: Esta luz acende-se quando o ar condicionado está operando no modo WIFI.




ADVERTÊNCIA

A posição OFF não desliga o aparelho da alimentação motriz. Para desligar o aparelho completamente, utilize o interruptor da alimentação motriz.

N.B.

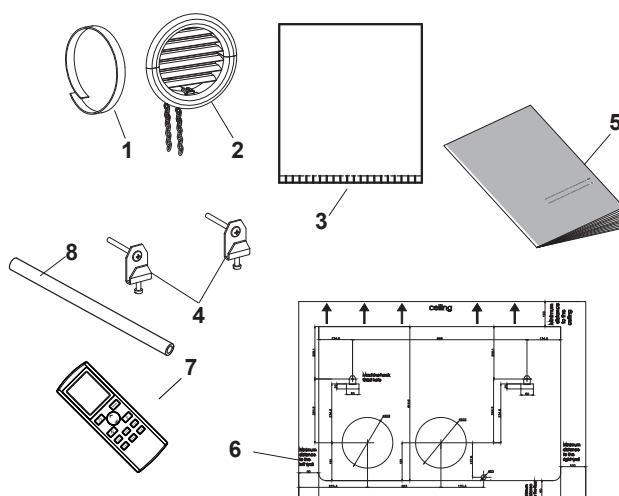
- É possível programar o condicionador de maneira a manter sempre apagadas, mesmo durante o funcionamento, todas as luzes, pressionando o botão LIGHT no controle remoto.

Se houver o símbolo  no visor do controle remoto, o visor do ar condicionado estará ligado; se não houver o símbolo, o visor do ar condicionado está desligado.

- Em todas as situações de mau funcionamento ou estrago, mesmo se programadas na modalidade desligado, as lâmpadas serão acesas de acordo ao desgaste porque o problema será relevado pelo sistema de diagnóstica do condicionador. Veja o paragrafo POSSÍVEIS CAUSAS E REPARAÇÃO DE AVARIAS.

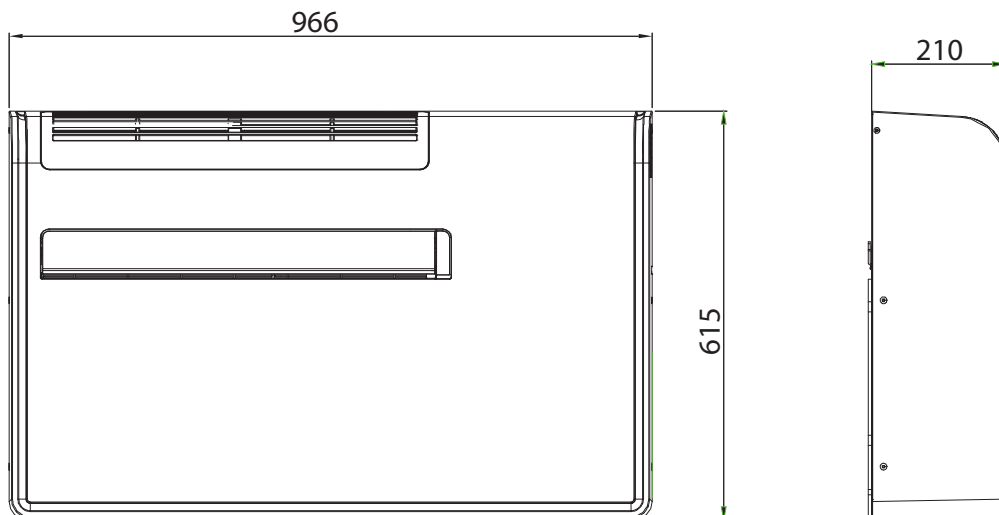
2.3 - ACESSÓRIOS FORNECIDOS COM A UNIDADE

1. Tira de fita isolante adesiva (nº2)
2. Grelhas exteriores de entrada e saída de ar, incluindo correntes e kit para instalação das grelhas (nº2)
3. Folha de plástico (nº2)
4. Suportes de suspensão (nº2)
5. Manuais de uso e instalação
6. Molde de perfuração
7. Controle remoto
8. Tubo de drenagem de condensação



2.4 - DIMENSÕES E PESO

Modelo	Peso (kg)
XDAW	36



Unit: mm

3 - INSTALAÇÃO

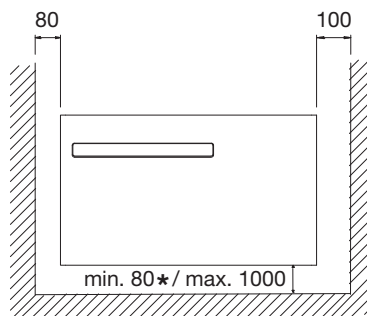
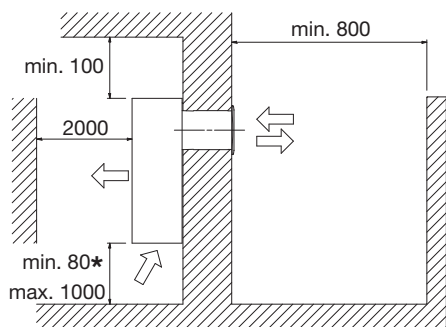
3.1 - SELECÇÃO DA POSIÇÃO DE INSTALAÇÃO

EVITE

- Fontes de calor, ventoinhas de escape de ar quente.
- A proximidade com materiais combustíveis.
- A luz direta do sol.
- Locais onde a unidade pode estar sujeita a salpicos de água ou umidade excessiva (por exemplo, lavanderia).
- Lugares donde el punto de apoyo no sea completamente estable, ya que pueden provocar vibraciones, ruidos y posibles pérdidas de agua.

NOTAS IMPORTANTES

- A parede deve ser um muro exterior.
- Certifique-se de que o muro seleccionado tem robustez suficiente para aguentar o peso da unidade.
- Fixe a unidade a uma altura mínima de 8 cm.
- Deixar uma área mínima de funcionamento e manutenção em torno da unidade. (Veja a figura).
- Certifique-se de que não há obstáculos para a circulação de ar nas imediações da unidade.
- Evite instalar a unidade com o fluxo de ar orientado directamente para pessoas, electrodomésticos ou fontes de calor.
- A unidade não deve ser instalada directamente em cima de outro aparelho (TV, rádio, geladeira, etc.).



Unit: mm

***Aviso! Para facilitar a drenagem do condensado da tampa de serviço, no entanto, é aconselhável instalar a unidade a uma altura mínima de 300mm**



PRECAUÇÃO

Depois de ter escolhido a posição de instalação de acordo com os critérios supracitados, assegure-se de que nos pontos onde os furos serão realizados não passem canos de água nem cabos eléctricos, porque podem danificar-se.

Verifique se há obstáculos à livre circulação de ar exterior através dos dutos na parede. A distância mínima a qualquer parede ou obstáculo deve ser de 80 cm.

3.2 - COMO INSTALAR A UNIDADE

- Aplique o molde de perfuração na parede e fixe-o nivelado. (Fig. 1)
- Faça os dois furos para ar (A) conforme indicado no molde de perfuração; Faça o furo (B) para drenagem da água de condensação para o exterior (prepare previamente uma rampa de escoamento para o exterior - Fig. 2).
- Em seguida, faça os furos para os suportes de suspensão (C) na parede usando os 2 orifícios para os suportes conforme indicado no molde de perfuração.
- Em seguida, faça 4 furos (D) para fixar as correntes das grelhas.

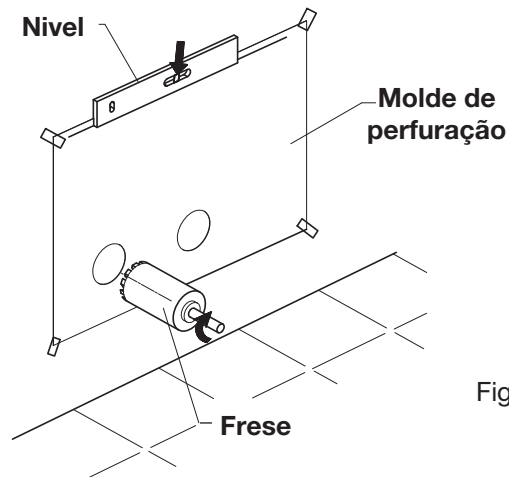


Fig. 1

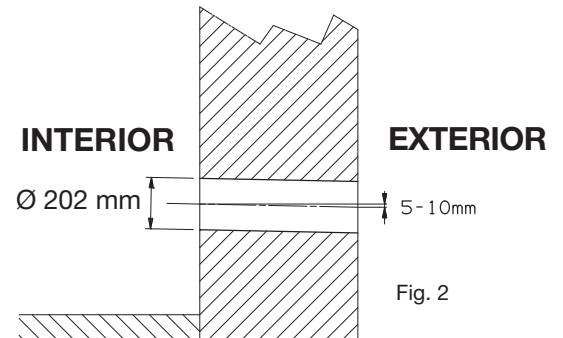
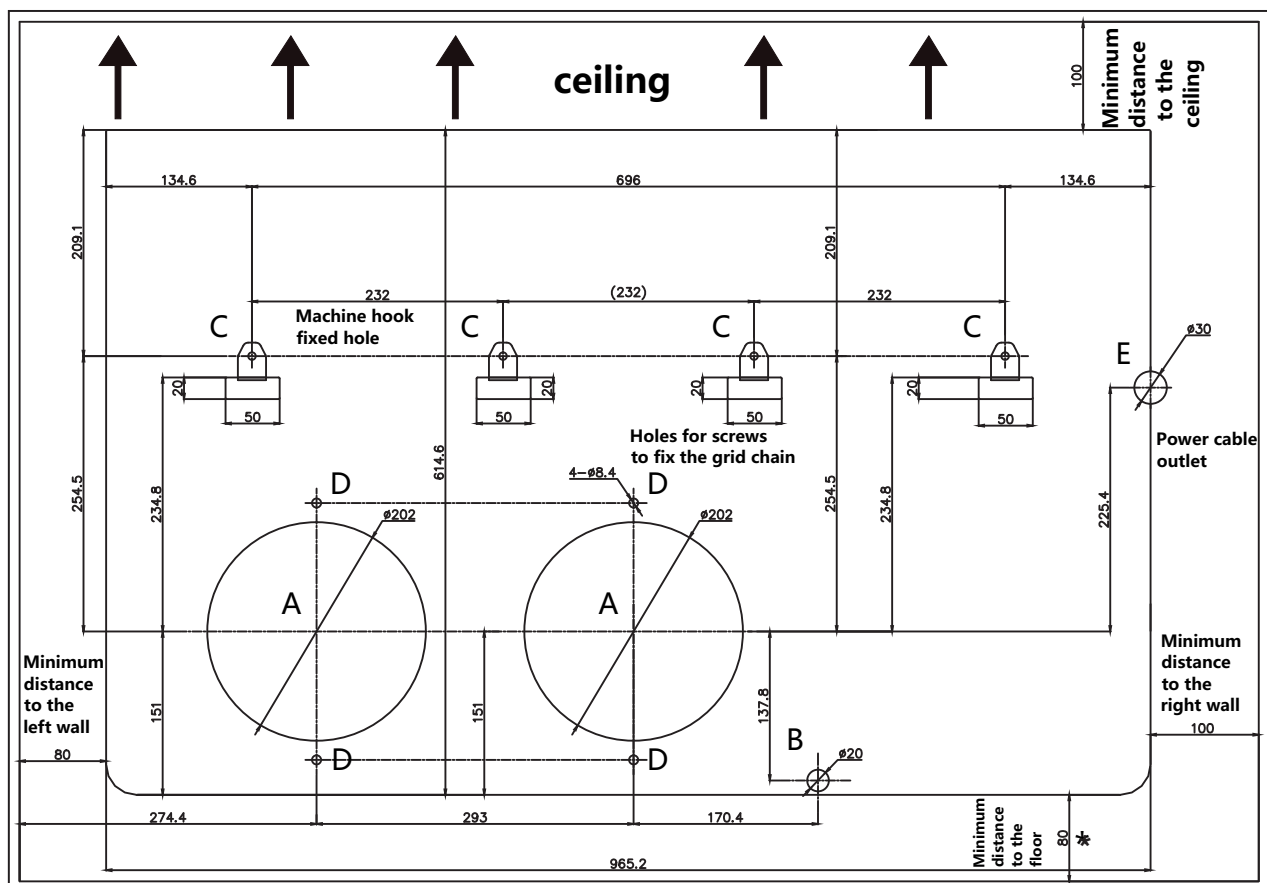


Fig. 2

- A** Furos para ar Ø 202 mm
- B** Furo para drenagem de condensação Ø 20 mm
- C** Furos para suportes de suspensão Ø 10 mm
- D** Furos para parafusos que fixam as correntes da grelha
- E** Furo para saída do cabo de alimentação

DIMA DI FORATURA





PRECAUÇÃO

PRECAUÇÕES ESPECIAIS DURANTE A EXECUÇÃO DOS FUROS PARA O AR NA PAREDE

- Perfure a parede usando as ferramentas apropriadas para facilitar o trabalho e evitar danos.
- As melhores ferramentas para fazer grandes furos nas paredes são as brocas especiais, denominadas brocas de núcleo com torque de torção e velocidade de rotação muito altos, ajustáveis de acordo com o diâmetro do furo a ser perfurado.
- É possível conectar a broca de núcleo a um sistema de sucção, a fim de evitar poeira excessiva.
- Certifique-se de que o material removido (ejetado para fora) não atinja pessoas ou objetos quando cair.

NOTAS PARA OS SUPORTES DE SUSPENSÃO

- Se a parede não for muito sólida, é recomendável usar alguns parafusos de ancoragem adicionais.
- A maior parte do peso do aparelho está do lado direito, portanto, verifique se a fixação é mais segura deste lado.
- Os parafusos de fixação fornecidos requerem orifícios com um diâmetro de 10 mm.
- No entanto, escolha a melhor ancoragem possível com base no tipo de parede.

- Dobre as abas da folha de plástico fornecida (fig.3).
Corte o tamanho das folhas de plástico fornecidas para obter, rolando-as, dois tubos do tamanho certo (é necessário medir a espessura do muro e subtrair 40 mm a esse valor para deixar o espaço necessário para as grelhas).
- Introduza os tubos de plástico obtidos nos dois furos, prestando atenção na costura (Fig. 5), que deve estar sempre voltada para cima.
- Corte o tubo no comprimento certo do outro lado da parede. (Fig. 6)

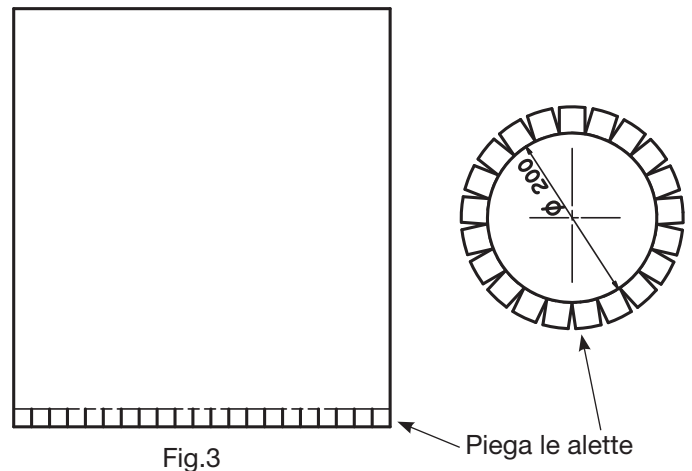


Fig.3

Piega le alette

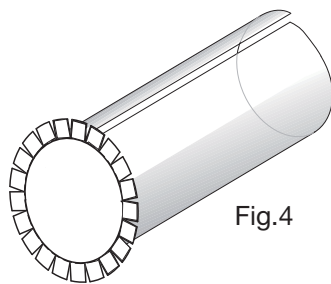


Fig.4

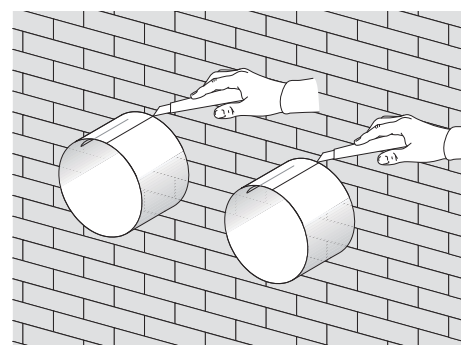


Fig. 6

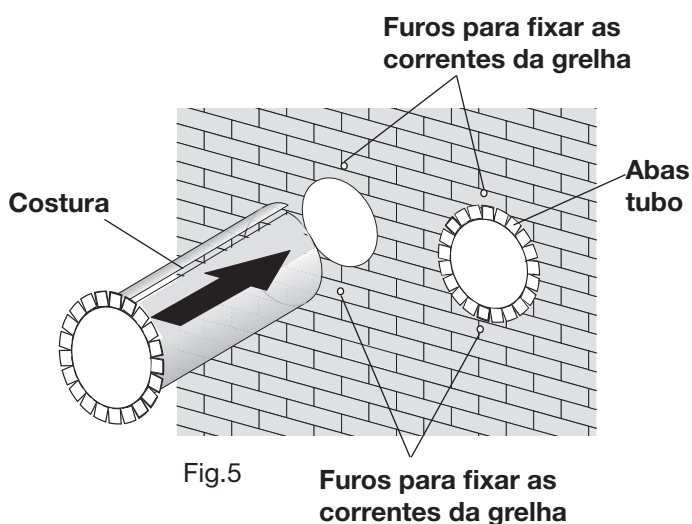


Fig.5

Furos para fixar as correntes da grelha

NOTE

- A folha de plástico que acompanha o aparelho é indicada para paredes até 50 cm de espessura.
- O comprimento máximo permitido é 1 m.
- Se você compra os tubos de plástico, eles devem estar lisos por dentro.
- Os tubos não podem ser curvados ou dobrados.

- Prenda as duas grades externas, como a seguir:

- Aplique a fita adesiva (Fig. 7) acima das abas do tubo na parede. (Fig. 5)
- Insira o olhal menor da mola na tampa plástica da grelha (2 tampas + 2 molas para cada grelha). Fig. 8
- Insira as duas tampas (com mola), na parte frontal da grelha externa, em seus alojamentos, puxando até o clique. (Fig. 9)
- Corte as duas correntes fornecidas para obter 4 peças (2 peças para cada grelha).
- Prenda as correntes ao orifício grande da mola.
- Usando uma mão, segure as duas correntes conectadas a grelha.
- Dobre as grelhas externas para trás, segurando-as com a mão livre onde elas dobras e insira os dedos dentro das barbatanas individuais. (Fig. 10)
- Insira o braço no tubo até a grelha se projetar completamente para fora.
- Reabra a grelha, tomando cuidado para manter os dedos dentro das barbatanas.
- Gire a grade até que as barbatanas estejam completamente horizontais e inclinadas para baixo.
- Puxe a corrente, apertando a mola e fixe os anéis da corrente nos orifícios da parede (fig. 5 - 7) usando os parafusos com a arruela fornecida.
- Corte quaisquer elos da corrente em excesso.

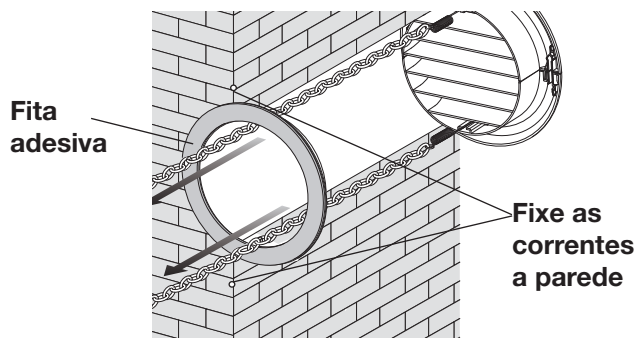


Fig. 7

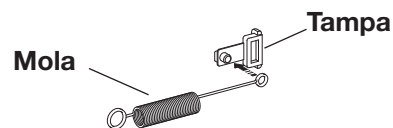


Fig. 8

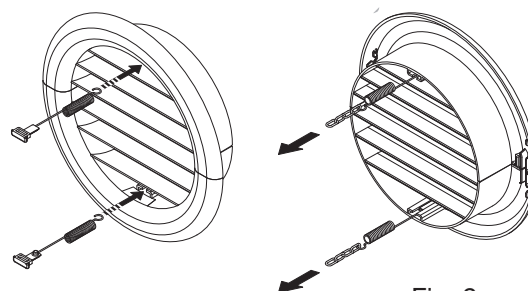


Fig. 9

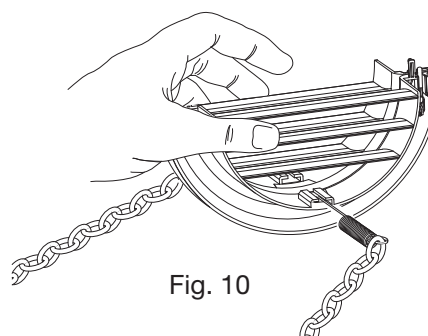


Fig. 10

NOTA

É necessário usar as grelhas fornecidas ou grelhas com as mesmas características.

3-2 PREPARAÇÃO PARA DESCARGA DE CONDENSAÇÃO

Conecte a unidade ao tubo de drenagem de condensação fornecido, através da conexão apropriada (fig. 11 - **A**) localizado na parte traseira da unidade (remova a tampa **B**). Quando o nível da água atinge o nível máximo, a água de condensação sai do orifício na estrutura.

Como a condensação drena por gravidade, deve haver uma inclinação mínima de pelo menos 3% em cada ponto da linha de drenagem. Se o tubo fornecido não for utilizado, escolha um tubo rígido ou flexível com um diâmetro interno de pelo menos 16 mm.



PRECAUÇÃO

Certifique-se de que a água expelida para o exterior não prejudique ou perturbe pessoas ou coisas. Durante o inverno, esse tipo de drenagem pode causar a formação de camadas de gelo.

Depois que o dreno de condensação estiver conectado, tenha muito cuidado para não comprimir o tubo.

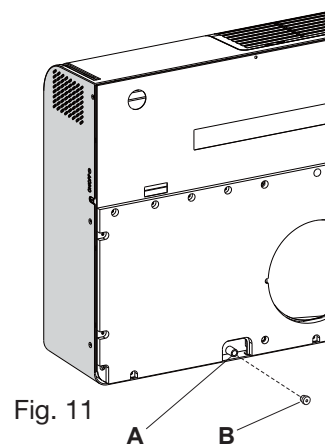


Fig. 11

- Pendure a unidade nos suportes inserindo simultaneamente o tubo de drenagem de condensação no orifício da parede.

Levante a unidade segurando-a pelas laterais da base. Para facilitar a operação de fixação no suporte, incline-o levemente em sua direção.

Para fazer a conexão elétrica e fixar o tubo de drenagem, coloque uma cunha entre o ar condicionado e a parede. Quando terminar, inspecione cuidadosamente para garantir que não haja lacunas na parte traseira do ar condicionado (o isolante deve aderir saldamente à parede) especialmente nas áreas das grelhas. (Fig. 12-13)

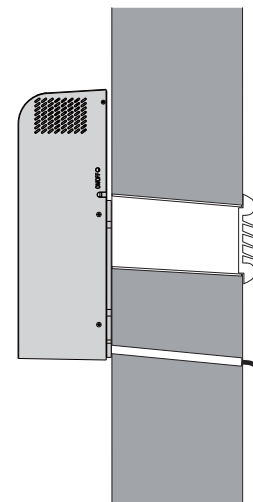


Fig. 12

- Se a tomada estiver perto do aparelho, basta conectá-lo.

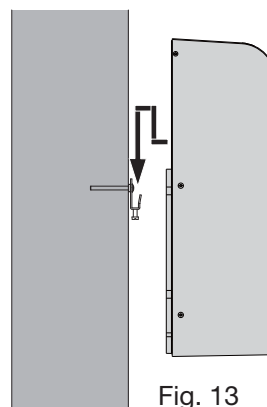
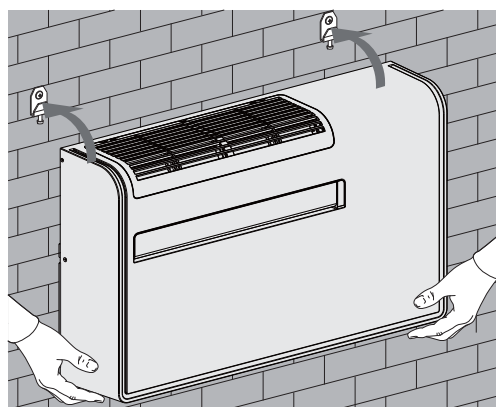


Fig. 13

3-3 - LIGAÇÃO ELÉCTRICA

O ar condicionado está equipado com um cabo de alimentação com ficha (a ligação eléctrica da unidade é do tipo Y, com cabo preparado de maneira especial; qualquer substituição deve ser realizada apenas pelo Centro de Assistência autorizado).



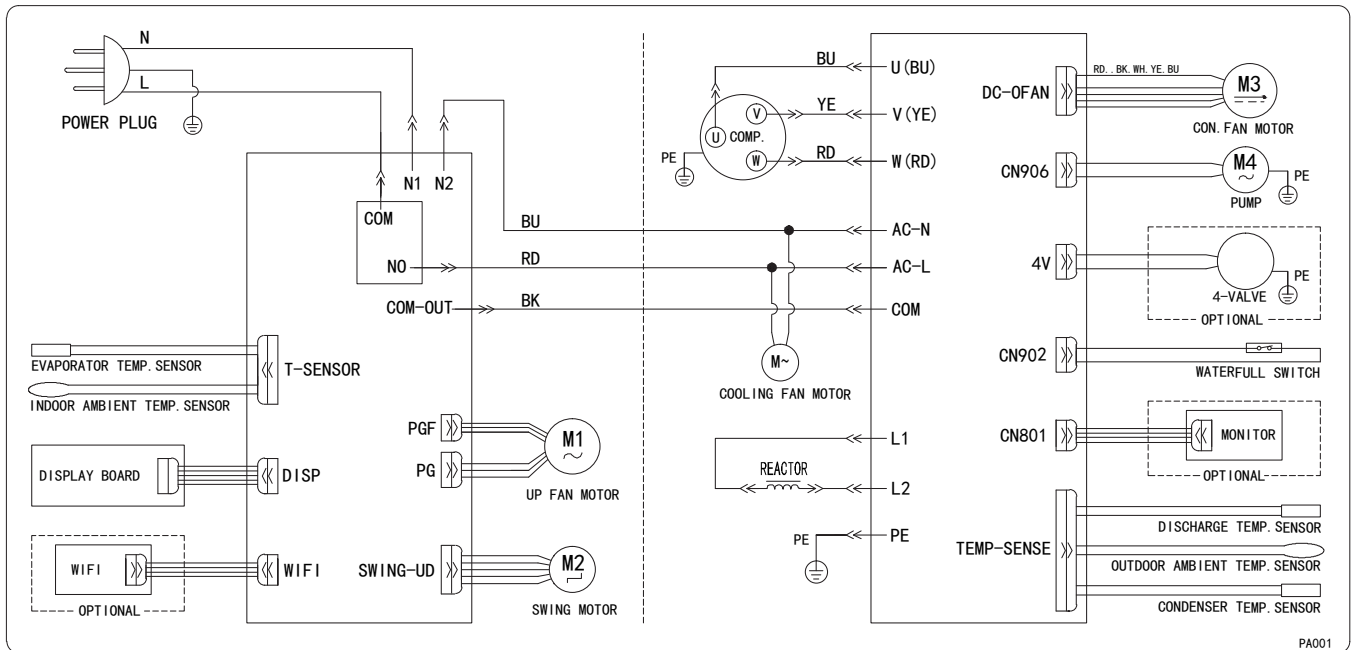
PRECAUÇÃO

Antes de ligar o ar condicionado, certifique-se de que:

- A voltagem da corrente corresponda àquela indicada no aparelho.
- A linha de alimentação esteja equipada com uma conexão de aterramento e esteja dimensionada corretamente para a máxima absorção do ar condicionado (secção mínima dos cabos: 1,5mm²).
- O ar condicionado seja alimentado somente por um soquete compatível com a ficha fornecida.

O mecanismo de desconexão da rede de alimentação deve ter uma distância de abertura dos contatos que permita a desconexão completa nas condições da categoria de sobretensão III.

4 - ESQUEMA ELÉTRICO



PA001

Cores dos cabos

BK	Preto
BN	Marron
BU	Azul
GN	Verde
RD	Vermelho
WT	Branco
YE	Amarelo

PT

Airwell

Just feel well

WARNING :

The design and specifications are subject to change without prior notice for product improvement. Consult with the sales agency or manufacturer for details.

ATTENTION :

Le design et les données techniques sont donnés à titre indicatif et peuvent être modifiés sans préavis.



AIRWELL RESIDENTIAL SAS

10 rue du Fort de Saint Cyr
78180 Montigny-le-Bretonneux - France
www.airwell-pro.com