



Airflow

Airwell

# JDAA AIRFLOW

## Thermodynamic dual flow CMV

**HYBRID**  
HOUSE by Airwell



Remote control included

### + PRODUCT

- Remote control included
- Excellent COP
- No handling of refrigerant
- Operates using 100% fresh air
- Compact unit

### FEATURES



PROGRAMMABLE  
TIMER



WEEK TIMER



REMOTE CONTROL  
LOCK



UNIT ON  
OUTPUT

### THE + «SUSTAINABLE DEVELOPMENT»

- > High performance product with COP > 7.

### THE + «USER»

- > Allows you to renew the air in the home by heating or cooling the new air, thanks to a thermodynamic system.
- > Operates using 100% fresh filtered air.

### THE + «INSTALLER»

- > Simple to install, thanks to its monobloc system.
- > This unit adapts to any type of home.

### THE + «TECHNOLOGY»

- > Monobloc system.
- > Inverter technology.

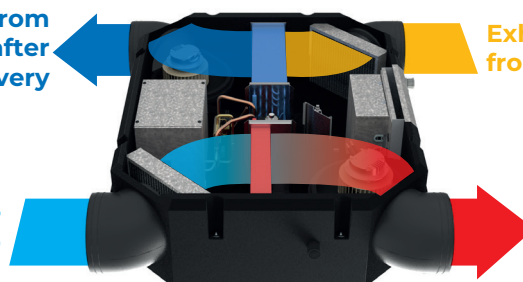


Exhaust air from the house after energy recovery

Exhaust air from the house

100% fresh air from Outdoor

Purified and conditioning fresh air



# TECHNICAL DATA

MODEL		JDAA-022R-09M25				
Part number		7MB110001				
Phase		Single phase				
Airflow	m <sup>3</sup> /h	125	150	210	270	320

### HEATING MODE

Outdoor air +7°C Air supply 20 °C	Heating capacity	kW	1.42	1.55	1.86	2.05	2.49
	Power input	kW	0.46	0.42	0.45	0.42	0.54
	<b>COP</b>		<b>3.09</b>	<b>3.69</b>	<b>4.13</b>	<b>4.93</b>	<b>4.61</b>
Outdoor air -5°C Air supply 20 °C	Heating capacity	kW	1.97	2.10	2.21	2.37	2.45
	Power input	kW	0.40	0.52	0.47	0.37	0.32
	<b>COP</b>		<b>4.93</b>	<b>4.04</b>	<b>4.70</b>	<b>6.50</b>	<b>7.66</b>

### COOLING MODE

Outdoor air 35°C Air supply 27°C	Cooling capacity	kW	1.57	1.64	1.73	1.92	2.07
	Power input	kW	0.36	0.52	0.53	0.55	0.81
	<b>EER</b>		<b>4.34</b>	<b>3.15</b>	<b>3.26</b>	<b>3.50</b>	<b>2.56</b>
Outdoor air 30°C Air supply 27°C	Cooling capacity	kW	0.92	1.38	1.47	1.72	2.07
	Power input	kW	0.36	0.52	0.48	0.54	0.81
	<b>EER</b>		<b>2.56</b>	<b>2.65</b>	<b>3.06</b>	<b>3.21</b>	<b>2.77</b>

### PERFORMANCE

Static pressure	Rated	Pa	50	50	50	50	50
	Max.	Pa	120	120	120	120	120
Sound power level		dB(A)	47	48	50	54	58
Sound pressure level (l)		dB(A)	34	35	37	41	45

### OPERATING LIMITS

Outdoor temperature	Cooling	°C	16/45				
	Heating	°C	-15/28				

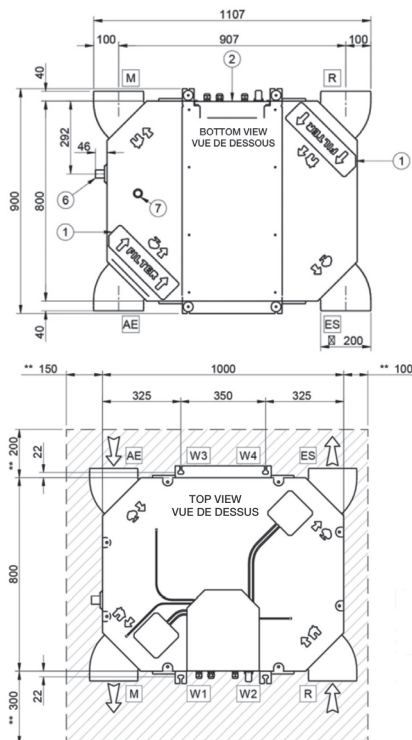
### POWER SUPPLY

Phase/Voltage/Frequency		1P/230V/50Hz
Fuse rating am	A	5

### INSTALLATION & OTHERS

Refrigerant/GWP		R32/675
Charge	kg	0.30
Outline dimensions (WxHxD)	mm	1107x290x900
Package dimensions (WxHxD)	mm	1200x320x100
Net weight/Gross weight	kg	44/73

(l) The sound levels refer to the unit at full load, in the rated test conditions.



N°	DESCRIPTION
1	• Removable frame for bottom to the air filter
2	• Electrical panel
3	• Power input
4	• Keyboard connection
5	• Auxiliary connection
6	• Condensate drain connection
7	• Emergency drain
W	• Hanging brackets
AE	• Fresh air intake
ES	• Air exhaust
M	• Ambient air distribution
R	• Ambient air return

