

Airwell

Just feel well

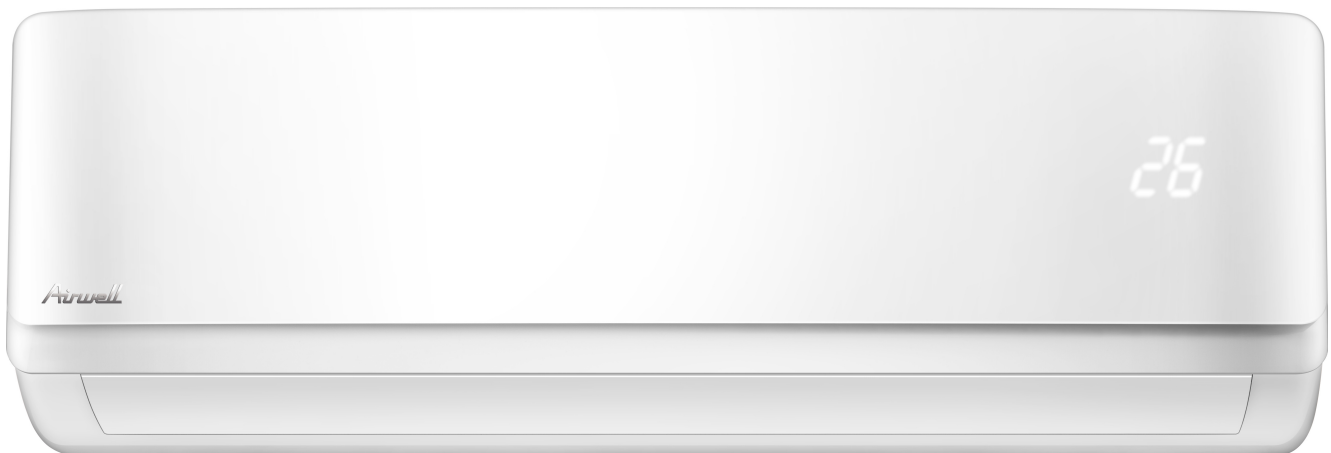
Installation Manual

HDH High Wall

R32

Multilingual Manual

(English - French - German - Italian - Russian - Spanish - Dutch)



IMPORTANT NOTE:

Read this manual carefully before installing or operating your new air conditioning unit. Make sure to save this manual for future reference.

20.AW.HDH.9-24.R32.IM.EN.FR.DE.IT.RU.SP.NL.05.16

Airwell

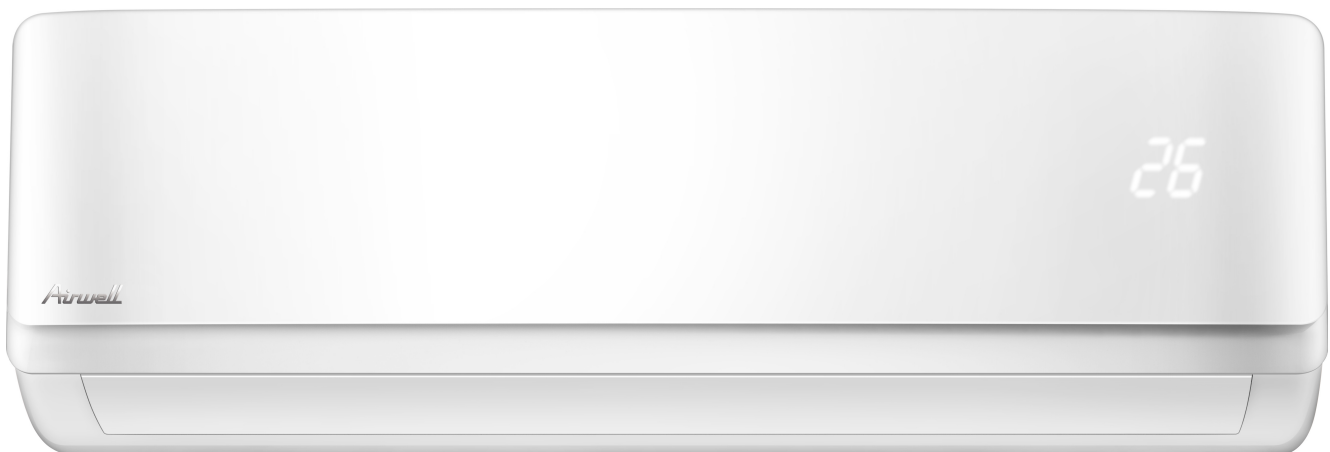
Just feel well

Installation Manual

HDH High Wall

R32

English Manual



IMPORTANT NOTE:

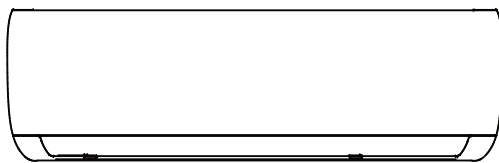
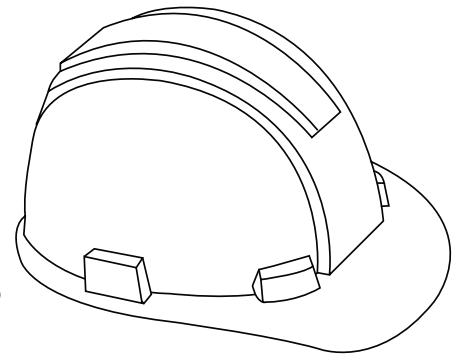
Read this manual carefully before installing or operating your new air conditioning unit. Make sure to save this manual for future reference.

20.AW.HDH.9-24.R32.IM.EN.FR.DE.IT.RU.SP.NL.05.16

Table of Contents

Installation Manual

0	Safety Precautions.....	4
1	Accessories.....	6
2	Installation Summary - Indoor Unit.....	8
3	Unit Parts.....	10

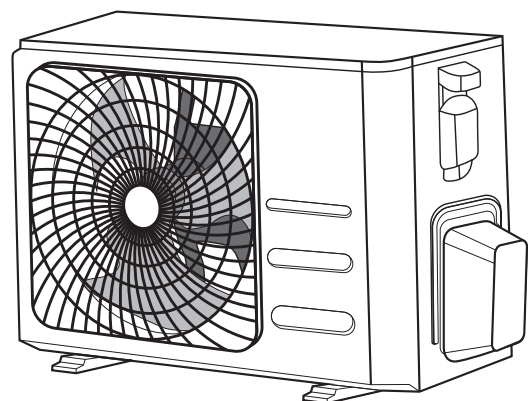


4 Indoor Unit Installation..... **11**

1. Select installation location.....11
2. Attach mounting plate to wall.....12
3. Drill wall hole for connective piping.....12
4. Prepare refrigerant piping.....14
5. Connect drain hose.....15
6. Connect signal cable.....17
7. Wrap piping and cables.....18
8. Mount indoor unit..... 18

5 Outdoor Unit Installation... **20**

1. Select installation location.....20
2. Install drain joint..... 21
3. Anchor outdoor unit.....22
4. Connect signal and power cables.....23

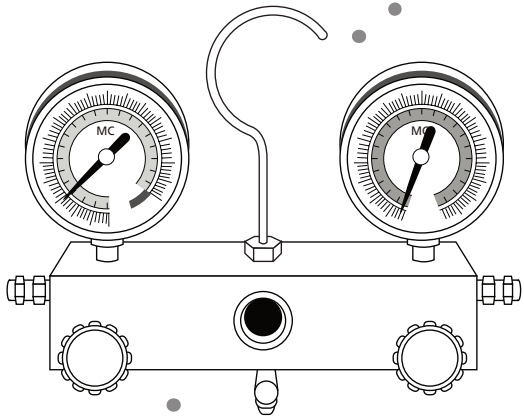
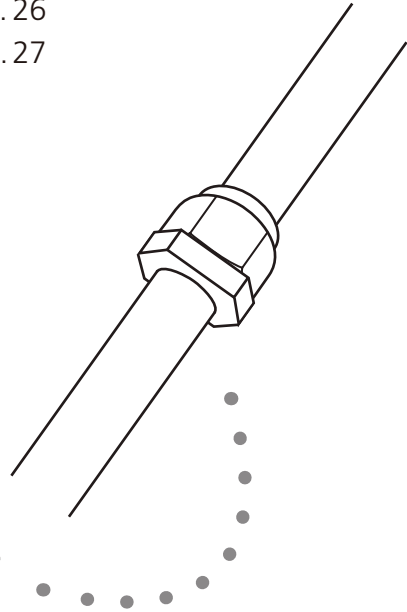


6 Refrigerant Piping Connection..... 25

- A. Note on Pipe Length.....25
- B. Connection Instructions –Refrigerant Piping..... 25
 - 1. Cut pipe.....25
 - 2. Remove burrs.....26
 - 3. Flare pipe ends.....26
 - 4. Connect pipes.....27



Caution: Risk of fire
(for R32 refrigerant only)



7 Air Evacuation..... 29

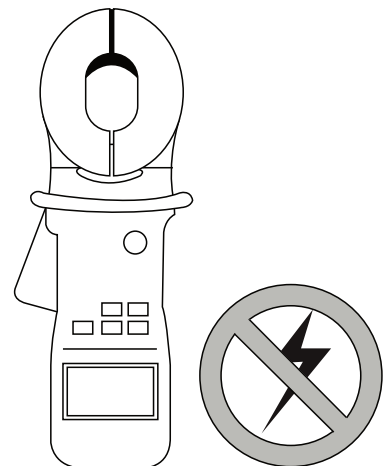
- 1. Evacuation Instructions..... 29
- 2. Note on Adding Refrigerant.....30

8 Electrical and Gas Leak Checks..... 31

9 Test Run..... 32

10 European Disposal Guidelines.....34

11 Information servicing 35



Safety Precautions

Read Safety Precautions Before Installation

Incorrect installation due to ignoring instructions can cause serious damage or injury.

The seriousness of potential damage or injuries is classified as either a **WARNING** or **CAUTION**.



This symbol indicates that ignoring instructions may cause death or serious injury.



This symbol indicates that ignoring instructions may cause moderate injury to your person, or damage to your unit or other property.



This symbol indicates that you must never perform the action indicated.

WARNING

- ⊘ **Do not** modify the length of the power supply cord or use an extension cord to power the unit. **Do not** share the electrical outlet with other appliances. Improper or insufficient power supply can cause fire or electrical shock.
- ⊘ When connecting refrigerant piping, **do not** let substances or gases other than the specified refrigerant enter the unit. The presence of other gases or substances will lower the unit's capacity, and can cause abnormally high pressure in the refrigeration cycle. This can cause explosion and injury.
- ⊘ **Do not** allow children to play with the air conditioner. Children must be supervised around the unit at all times.
 1. Installation must be performed by an authorized dealer or specialist. Defective installation can cause water leakage, electrical shock, or fire.
 2. Installation must be performed according to the installation instructions. Improper installation can cause water leakage, electrical shock, or fire. (In North America, installation must be performed in accordance with the requirement of NEC and CEC by authorized personnel only.)
 3. Contact an authorized service technician for repair or maintenance of this unit.
 4. Only use the included accessories, parts, and specified parts for installation. Using non-standard parts can cause water leakage, electrical shock, fire, and can cause the unit to fail.
 5. Install the unit in a firm location that can support the unit's weight. If the chosen location cannot support the unit's weight, or the installation is not done properly, the unit may drop and cause serious injury and damage.
 6. Do not use means to accelerate the defrosting process or to clean, other than those recommended by the manufacturer.
 7. The appliance shall be stored in a room without continuously operating ignition sources (for example: open flames, an operating gas appliance or an operating electric heater)
 8. Do not pierce or burn.
 9. Appliance shall be stored in a well-ventilated area where the room size corresponds to the room area as specific for operation.
 10. Be aware that refrigerants may not contain an odour.

NOTE: Clause 7 to 10 are required for the units adopt R32 Refrigerant.

WARNING

11. For all electrical work, follow all local and national wiring standards, regulations, and the Installation Manual. You must use an independent circuit and single outlet to supply power. Do not connect other appliances to the same outlet. Insufficient electrical capacity or defects in electrical work can cause electrical shock or fire.
12. For all electrical work, use the specified cables. Connect cables tightly, and clamp them securely to prevent external forces from damaging the terminal. Improper electrical connections can overheat and cause fire, and may also cause shock.
13. All wiring must be properly arranged to ensure that the control board cover can close properly. If the control board cover is not closed properly, it can lead to corrosion and cause the connection points on the terminal to heat up, catch fire, or cause electrical shock.
14. In certain functional environments, such as kitchens, server rooms, etc., the use of specially designed air-conditioning units is highly recommended.
15. If the supply cord is damaged, it must be replaced by the manufacturer, its service agent or similarly qualified persons in order to avoid a hazard.
16. This appliance can be used by children aged from 8 years and above and persons with reduced Physical, sensory or mental capabilities or lack of experience and knowledge if they have been given supervision or instruction concerning use of the appliance in a safe way and understand the hazards involved. Children shall not play with the appliance. Cleaning and user maintenance shall not be made by children without supervision.

CAUTION

- ⊘ For units that have an auxiliary electric heater, **do not** install the unit within 1 meter (3 feet) of any combustible materials.
 - ⊘ **Do not** install the unit in a location that may be exposed to combustible gas leaks. If combustible gas accumulates around the unit, it may cause fire.
 - ⊘ **Do not** operate your air conditioner in a wet room such as a bathroom or laundry room. Too much exposure to water can cause electrical components to short circuit.
1. The product must be properly grounded at the time of installation, or electrical shock may occur.
 2. Install drainage piping according to the instructions in this manual. Improper drainage may cause water damage to your home and property.
 3. The appliance shall be stored so as to prevent mechanical damage from occurring.
 4. Any person who is involve with working on or breaking into a refrigerant circuit should hold a current valid certificate from an industry-accredited assessment authority, which authorizes their competence to handle refrigerants safely in accordance with an industry recognized assessment specification.

Note about Fluorinated Gasses

This air-conditioning unit contains fluorinated gasses. This unit is hermetically sealed. For specific information on the type of gas and the amount, please refer to the relevant label on the unit itself. (page 8)

Compliance with national gas regulations shall be observed.

Installation, service, maintenance and repair of this unit must be performed by a certified technician.

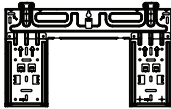




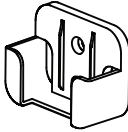


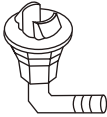
Product uninstillation and recycling must be performed by a certified technician.



The electrical switchgear has a tested leakage rate of less than 0,1 % per years. When the unit is checked for leaks, proper record-keeping of all checks is strongly recommended.

Accessories

1

The air conditioning system comes with the following accessories. Use all of the installation parts and accessories to install the air conditioner. Improper installation may result in water leakage, electrical shock and fire, or cause the equipment to fail.

Name	Shape	Quantity	
Mounting plate		1	
Clip anchor		5	
Mounting plate fixing screw ST3.9 X 25		5	
Remote controller		1	
Fixing screw for remote controller holder ST2.9 x 10		2	Optional Parts
Remote controller holder		1	
Dry battery AAA.LR03		2	
Seal		1 (for cooling & heating models only)	
Drain joint			

Name	Shape	Quantity								
Remote controller illustration		1								
Installation manual		1								
Connecting pipe assembly	<table border="1"> <tr> <td data-bbox="600 1093 791 1167" rowspan="2">Liquid side</td> <td data-bbox="791 1066 1070 1106">Φ 6.35(1/4in)</td> </tr> <tr> <td data-bbox="791 1106 1070 1167">Φ 9.52(3/8in)</td> </tr> <tr> <td data-bbox="600 1167 791 1368" rowspan="4">Gas side</td> <td data-bbox="791 1167 1070 1218">Φ 9.52(3/8in)</td> </tr> <tr> <td data-bbox="791 1218 1070 1270">Φ 12.7(1/2in)</td> </tr> <tr> <td data-bbox="791 1270 1070 1321">Φ 16(5/8in)</td> </tr> <tr> <td data-bbox="791 1321 1070 1368">Φ 19(3/4in)</td> </tr> </table>	Liquid side	Φ 6.35(1/4in)	Φ 9.52(3/8in)	Gas side	Φ 9.52(3/8in)	Φ 12.7(1/2in)	Φ 16(5/8in)	Φ 19(3/4in)	Parts you must purchase. Consult the dealer about the pipe size.
Liquid side	Φ 6.35(1/4in)									
	Φ 9.52(3/8in)									
Gas side	Φ 9.52(3/8in)									
	Φ 12.7(1/2in)									
	Φ 16(5/8in)									
	Φ 19(3/4in)									

 **WARNING**

Appliance shall be stored in a well -ventilated area where the room size corresponds to the room area as specific for operation.

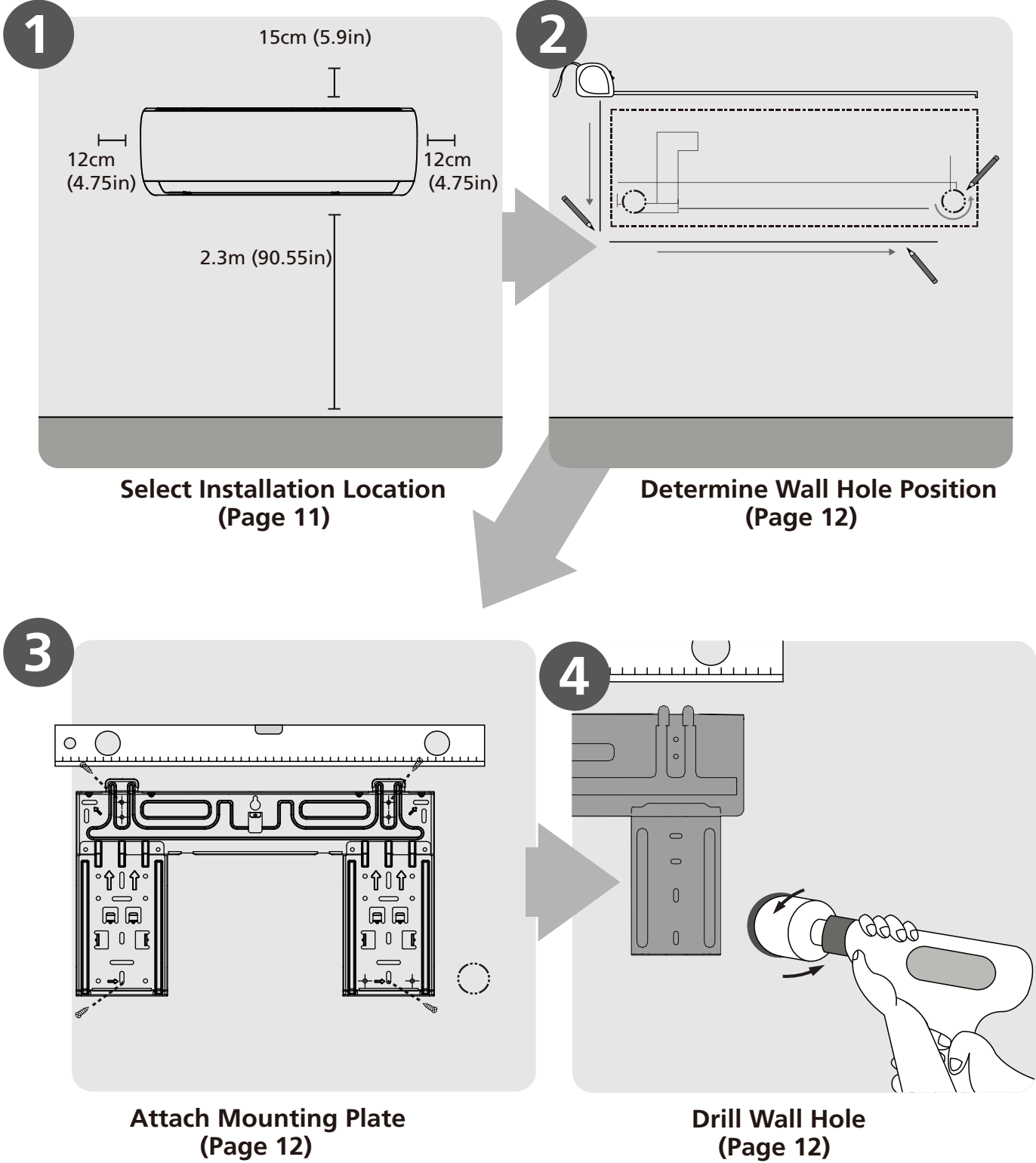
For R32 frigerant models:

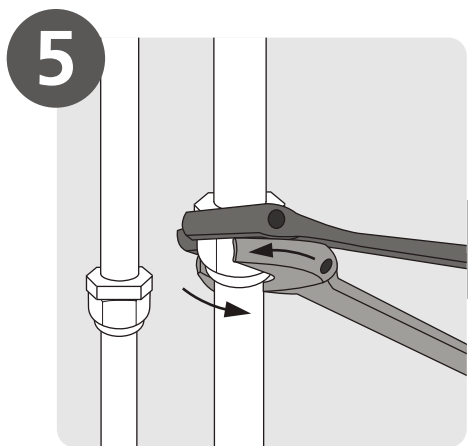
Appliance shall be installed, operated and stored in a room with a floor area larger than 4m².

Appliance shall not be installed in an unventilated space, if that space is smaller than 4m².

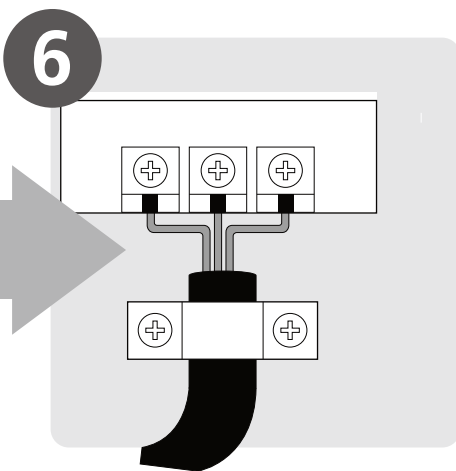
Installation Summary - Indoor Unit

2

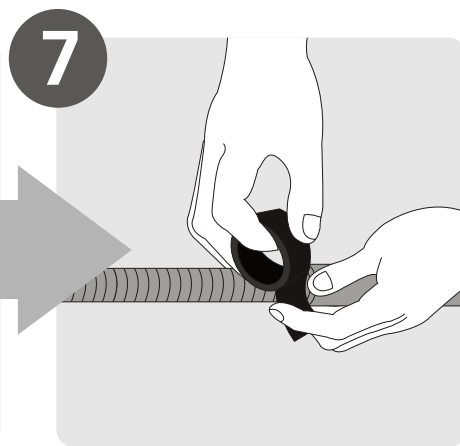




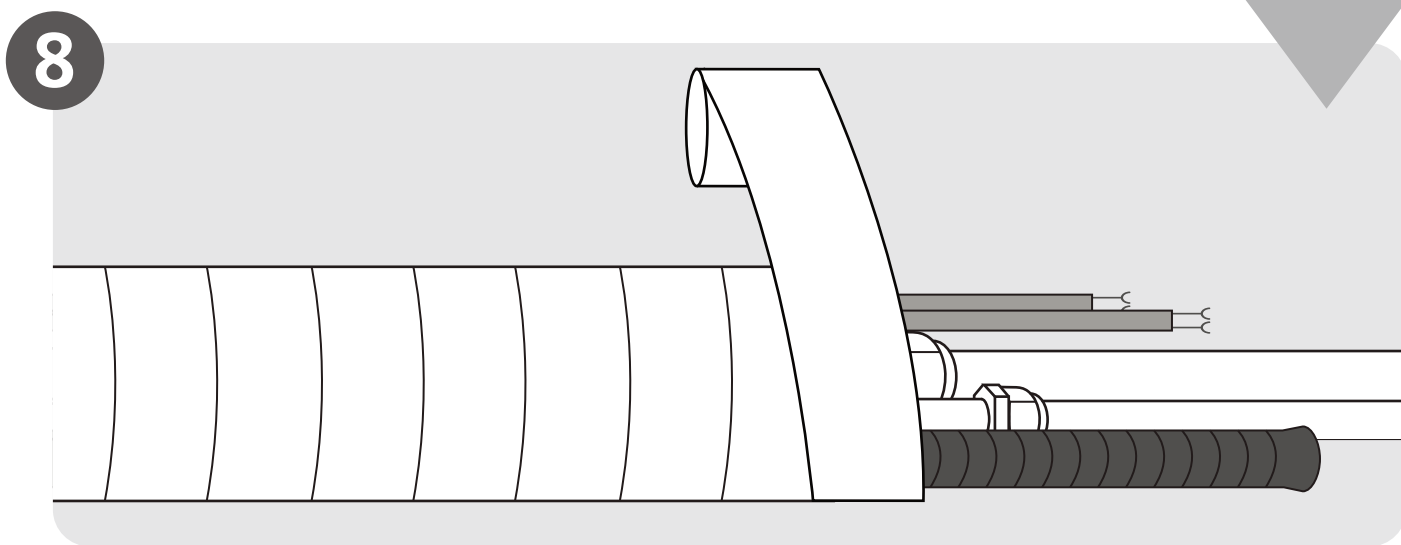
5
Connect Piping
(Page 25)



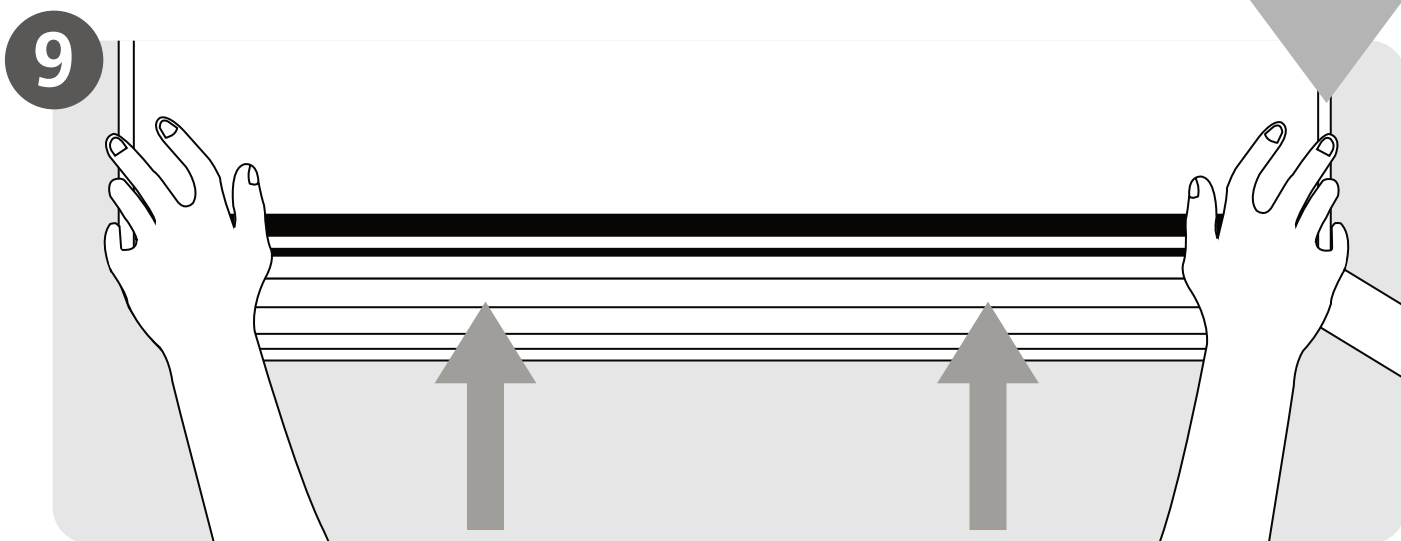
6
Connect Wiring
(Page 17)



7
Prepare Drain Hose
(Page 14)



8
Wrap Piping and Cable
(not applicable for some locations in the US)
(Page 18)



9
Mount Indoor Unit
(Page 18)

Unit Parts

3

NOTE: The installation must be performed in accordance with the requirement of local and national standards. The installation may be slightly different in different areas.

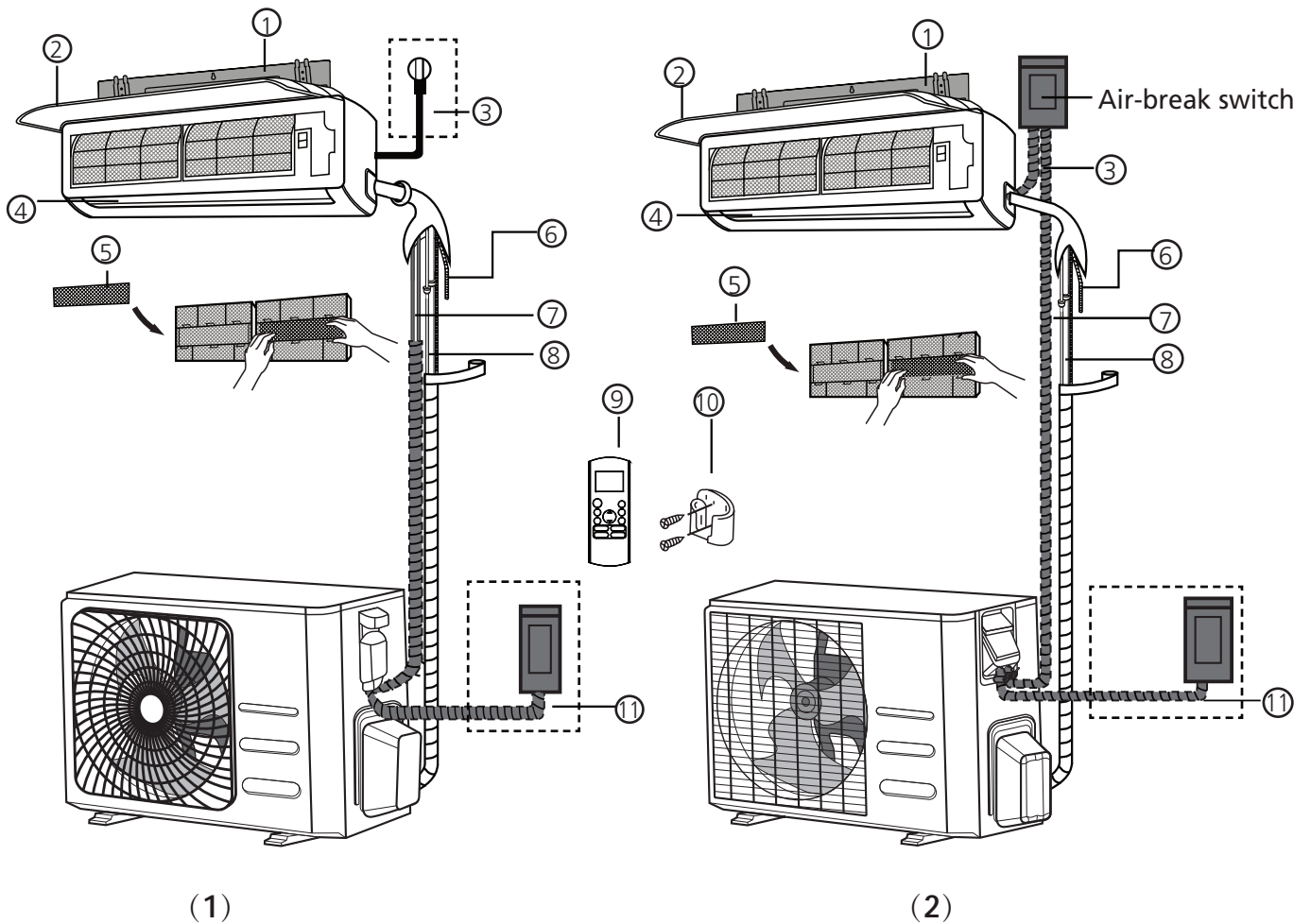


Fig. 3.1

- | | | |
|----------------------------|--|---|
| ① Wall Mounting Plate | ⑤ Functional Filter (On Front of Main Filter - Some Units) | ⑨ Remote Controller |
| ② Front Panel | ⑥ Drainage Pipe | ⑩ Remote controller Holder (Some Units) |
| ③ Power Cable (Some Units) | ⑦ Signal Cable | ⑪ Outdoor Unit Power Cable (Some Units) |
| ④ Louver | ⑧ Refrigerant Piping | |

NOTE ON ILLUSTRATIONS

Illustrations in this manual are for explanatory purposes. The actual shape of your indoor unit may be slightly different. The actual shape shall prevail.

Indoor Unit Installation

4

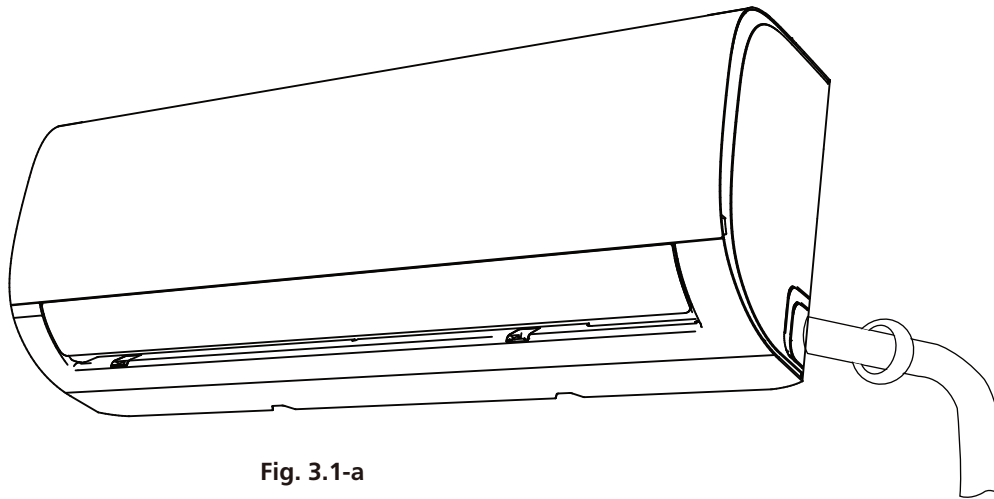


Fig. 3.1-a

Installation Instructions – Indoor Unit

PRIOR TO INSTALLATION

Before installing the indoor unit, refer to the label on the product box to make sure that the model number of the indoor unit matches the model number of the outdoor unit.

Step 1: Select installation location

Before installing the indoor unit, you must choose an appropriate location. The following are standards that will help you choose an appropriate location for the unit.

Proper installation locations meet the following standards:

- ☑ Good air circulation
- ☑ Convenient drainage
- ☑ Noise from the unit will not disturb other people
- ☑ Firm and solid—the location will not vibrate
- ☑ Strong enough to support the weight of the unit
- ☑ A location at least one meter from all other electrical devices (e.g., TV, radio, computer)

DO NOT install unit in the following locations:

- ⊘ Near any source of heat, steam, or combustible gas
- ⊘ Near flammable items such as curtains or clothing
- ⊘ Near any obstacle that might block air circulation
- ⊘ Near the doorway
- ⊘ In a location subject to direct sunlight

NOTE ABOUT WALL HOLE:

If there is no fixed refrigerant piping:

While choosing a location, be aware that you should leave ample room for a wall hole (see **Drill wall hole for connective piping** step) for the signal cable and refrigerant piping that connect the indoor and outdoor units. The default position for all piping is the right side of the indoor unit (while facing the unit). However, the unit can accommodate piping to both the left and right.

Refer to the following diagram to ensure proper distance from walls and ceiling:

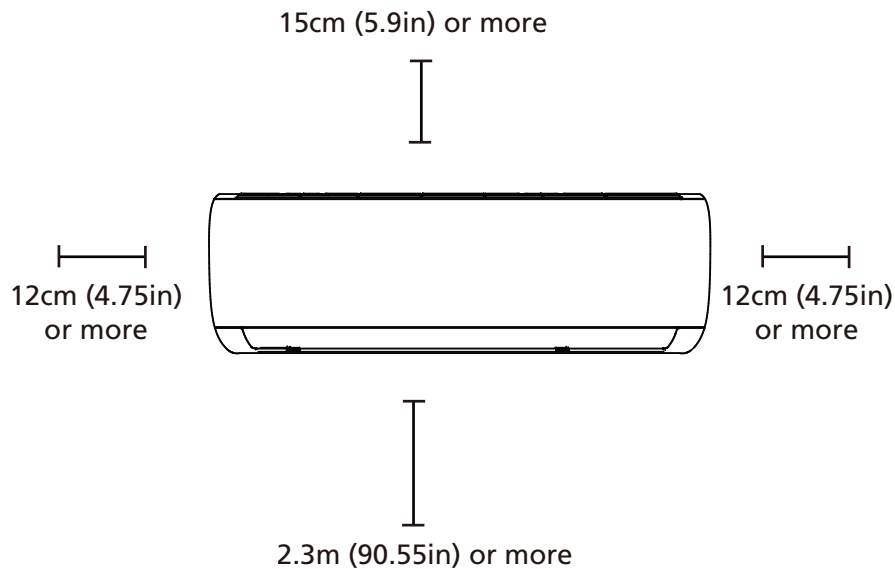


Fig. 3.1-b

Step 2: Attach mounting plate to wall

The mounting plate is the device on which you will mount the indoor unit.

1. Remove the screw that attaches the mounting plate to the back of the indoor unit.
2. Place the mounting plate against the wall in a location that meets the standards in the **Select Installation Location** step. (See **Mounting Plate Dimensions** for detailed information on mounting plate sizes.)
3. Drill holes for mounting screws in places that:
 - have studs and can support the weight of the unit
 - correspond to screw holes in the mounting plate
4. Secure the mounting plate to the wall with the screws provided.
5. Make sure that mounting plate is flat against the wall.

NOTE FOR CONCRETE OR BRICK WALLS:

If the wall is made of brick, concrete, or similar material, drill 5mm-diameter (0.2in-diameter) holes in the wall and insert the sleeve anchors provided. Then secure the mounting plate to the wall by tightening the screws directly into the clip anchors.

Step 3: Drill wall hole for connective piping

You must drill a hole in the wall for refrigerant piping, the drainage pipe, and the signal cable that will connect the indoor and outdoor units.

1. Determine the location of the wall hole based on the position of the mounting plate. Refer to **Mounting Plate Dimensions** on the next page to help you determine the optimal position. The wall hole should have a 65mm (2.5in) diameter at least, and at a slightly lower angle to facilitate drainage.
2. Using a 65mm (2.5in) or 90mm(3.54in) (depending on models) core drill, drill a hole in the wall. Make sure that the hole is drilled at a slight downward angle, so that the outdoor end of the hole is lower than the indoor end by about 5mm to 7mm (0.2-0.27in). This will ensure proper water drainage. (See **Fig. 3.2**)
3. Place the protective wall cuff in the hole. This protects the edges of the hole and will help seal it when you finish the installation process.

! CAUTION

When drilling the wall hole, make sure to avoid wires, plumbing, and other sensitive components.

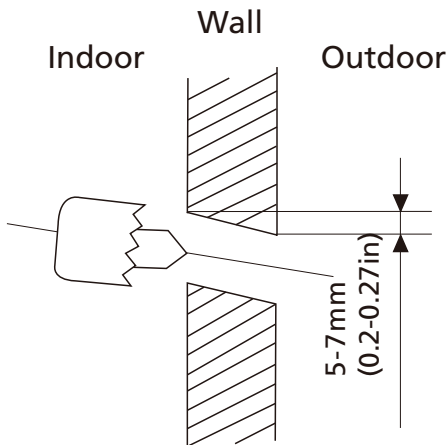


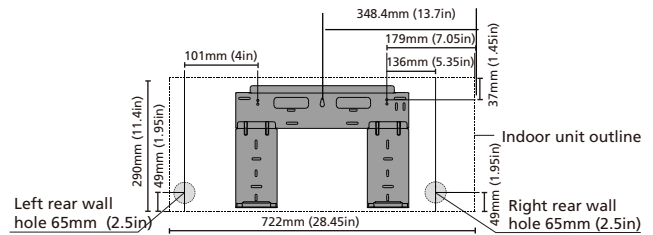
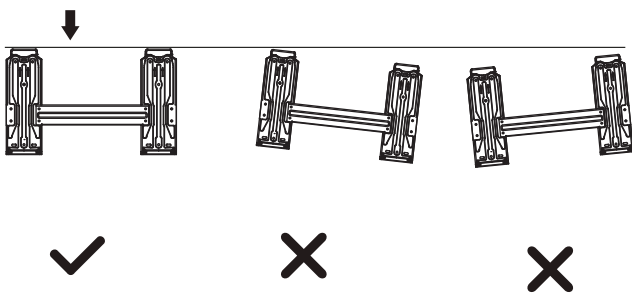
Fig. 3.2

MOUNTING PLATE DIMENSIONS

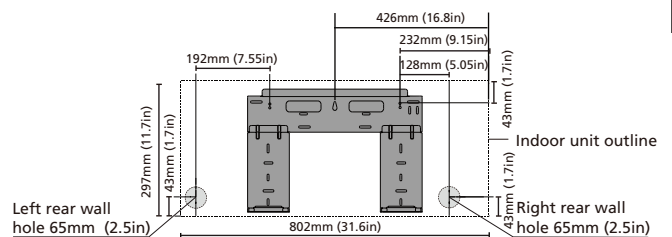
Different models have different mounting plates. In order to ensure that you have ample room to mount the indoor unit, the diagrams to the right show different types of mounting plates along with the following dimensions:

- Width of mounting plate
- Height of mounting plate
- Width of indoor unit relative to plate
- Height of indoor unit relative to plate
- Recommended position of wall hole (both to the left and right of mounting plate)
- Relative distances between screw holes

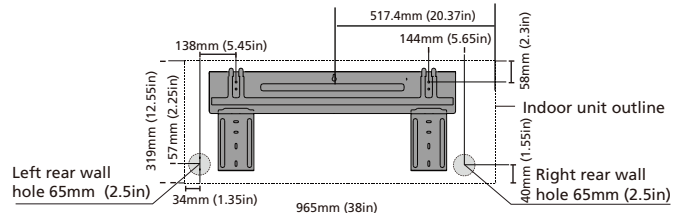
Correct orientation of Mounting Plate



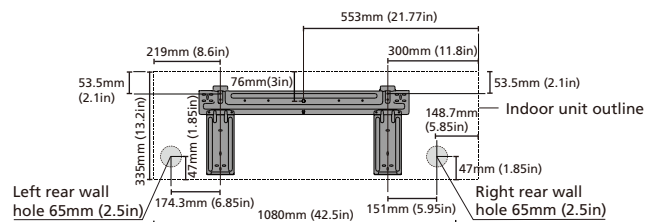
Model 9



Model 12



Model 18



Model 24

NOTE: When the gas side connective pipe is Φ 16mm(5/8in) or more, the wall hole should be 90mm(3.54in).

Step 4: Prepare refrigerant piping

The refrigerant piping is inside an insulating sleeve attached to the back of the unit. You must prepare the piping before passing it through the hole in the wall. Refer to the **Refrigerant Piping Connection** section of this manual for detailed instructions on pipe flaring and flare torque requirements, technique, etc.

1. Based on the position of the wall hole relative to the mounting plate, choose the side from which the piping will exit the unit.
2. If the wall hole is behind the unit, keep the knock-out panel in place. If the wall hole is to the side of the indoor unit, remove the plastic knock-out panel from that side of the unit. (See **Fig. 3.3**). This will create a slot through which your piping can exit the unit. Use needle nose pliers if the plastic panel is too difficult to remove by hand.

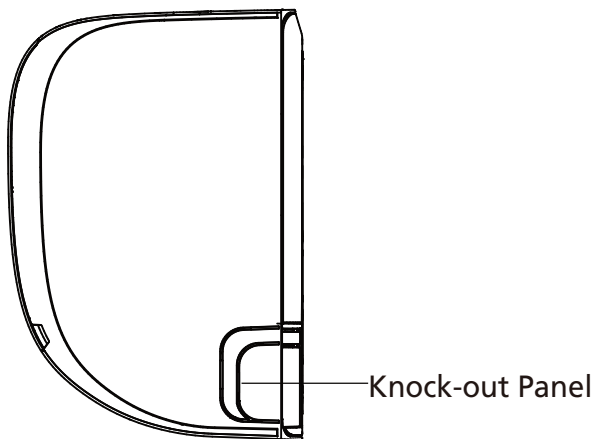


Fig. 3.3

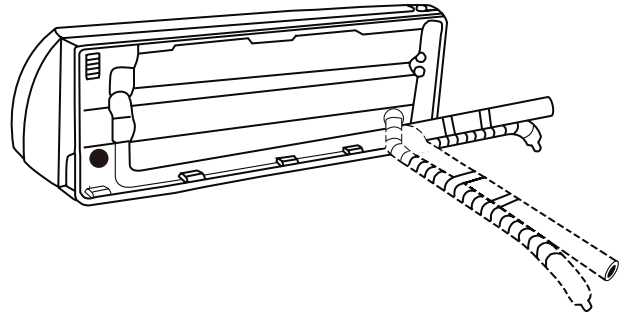
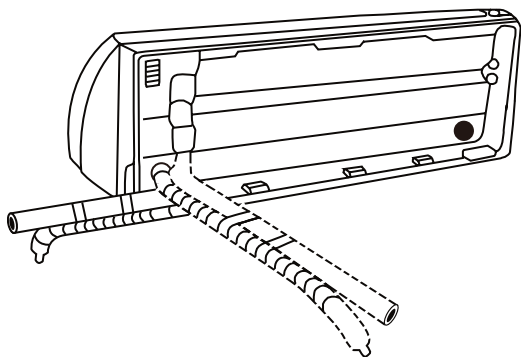


Fig. 3.4

3. Use scissors to cut down the length of the insulating sleeve to reveal about 15cm (6in) of the refrigerant piping. This serves two purposes:
 - To facilitate the **Refrigerant Piping Connection** process
 - To facilitate Gas Leak Checks and enable you to check for dents
4. If existing connective piping is already embedded in the wall, proceed directly to the **Connect Drain Hose** step. If there is no embedded piping, connect the indoor unit's refrigerant piping to the connective piping that will join the indoor and outdoor units. Refer to the **Refrigerant Piping Connection** section of this manual for detailed instructions.
5. Based on the position of the wall hole relative to the mounting plate, determine the necessary angle of your piping.
6. Grip the refrigerant piping at the base of the bend.
7. Slowly, with even pressure, bend the piping towards the hole. **Do not** dent or damage the piping during the process.

NOTE ON PIPING ANGLE

Refrigerant piping can exit the indoor unit from four different angles:

- Left-hand side
- Left rear
- Right-hand side
- Right rear

Refer to **Fig. 3.4** for details.

! CAUTION

Be extremely careful not to dent or damage the piping while bending them away from the unit. Any dents in the piping will affect the unit's performance.

Step 5: Connect drain hose

By default, the drain hose is attached to the left-hand side of unit (when you're facing the back of the unit). However, it can also be attached to the right-hand side.

1. To ensure proper drainage, attach the drain hose on the same side that your refrigerant piping exits the unit.
2. Attach drain hose extension (purchased separately) to the end of drain hose.
3. Wrap the connection point firmly with Teflon tape to ensure a good seal and to prevent leaks.
4. For the portion of the drain hose that will remain indoors, wrap it with foam pipe insulation to prevent condensation.
5. Remove the air filter and pour a small amount of water into the drain pan to make sure that water flows from the unit smoothly.

NOTE ON DRAIN HOSE PLACEMENT

Make sure to arrange the drain hose according to **Fig. 3.5**.

- ⊘ **DO NOT** kink the drain hose.
- ⊘ **DO NOT** create a water trap.
- ⊘ **DO NOT** put the end of drain hose in water or a container that will collect water.

PLUG THE UNUSED DRAIN HOLE

To prevent unwanted leaks you must plug the unused drain hole with the rubber plug provided.

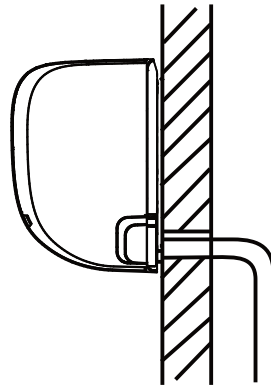


Fig. 3.5

CORRECT

Make sure there are no kinks or dent in drain hose to ensure proper drainage.



NOT CORRECT

Kinks in the drain hose will create water traps.

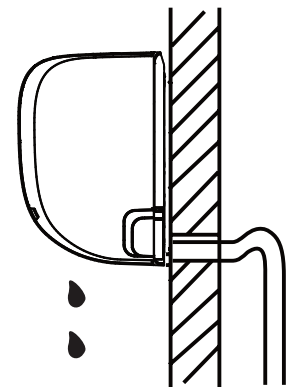
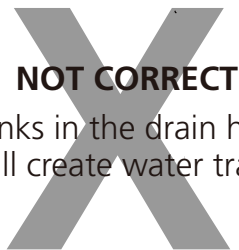


Fig. 3.6

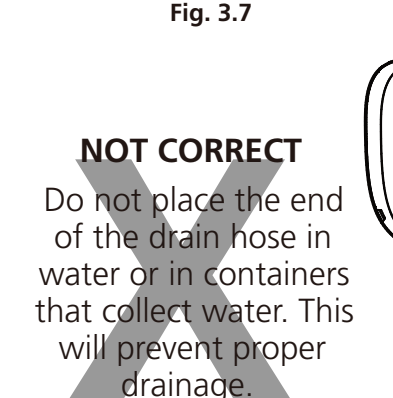


Fig. 3.7



NOT CORRECT

Kinks in the drain hose will create water traps.



NOT CORRECT

Do not place the end of the drain hose in water or in containers that collect water. This will prevent proper drainage.

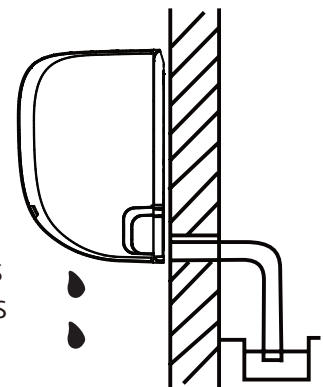


Fig. 3.8

BEFORE PERFORMING ELECTRICAL WORK, READ THESE REGULATIONS

1. All wiring must comply with local and national electrical codes, and must be installed by a licensed electrician.
2. All electrical connections must be made according to the Electrical Connection Diagram located on the panels of the indoor and outdoor units.
3. If there is a serious safety issue with the power supply, stop work immediately. Explain your reasoning to the client, and refuse to install the unit until the safety issue is properly resolved.
4. Power voltage should be within 90-110% of rated voltage. Insufficient power supply can cause malfunction, electrical shock, or fire.
5. If connecting power to fixed wiring, install a surge protector and main power switch with a capacity of 1.5 times the maximum current of the unit.
6. If connecting power to fixed wiring, a switch or circuit breaker that disconnects all poles and has a contact separation of at least 1/8in (3mm) must be incorporated in the fixed wiring. The qualified technician must use an approved circuit breaker or switch.
7. Only connect the unit to an individual branch circuit outlet. Do not connect another appliance to that outlet.
8. Make sure to properly ground the air conditioner.
9. Every wire must be firmly connected. Loose wiring can cause the terminal to overheat, resulting in product malfunction and possible fire.
10. Do not let wires touch or rest against refrigerant tubing, the compressor, or any moving parts within the unit.
11. If the unit has an auxiliary electric heater, it must be installed at least 1 meter (40in) away from any combustible materials.

WARNING

BEFORE PERFORMING ANY ELECTRICAL OR WIRING WORK, TURN OFF THE MAIN POWER TO THE SYSTEM.

Step 6: Connect signal cable

The signal cable enables communication between the indoor and outdoor units. You must first choose the right cable size before preparing it for connection.

Cable Types

- **Indoor Power Cable** (if applicable): H05VV-F or H05V2V2-F
- **Outdoor Power Cable:** H07RN-F
- **Signal Cable:** H07RN-F

Minimum Cross-Sectional Area of Power and Signal Cables

North America

Appliance Amps (A)	AWG
10	18
13	16
18	14
25	12
30	10

Other Regions

Rated Current of Appliance (A)	Nominal Cross-Sectional Area (mm ²)
> 3 and ≤ 6	0.75
> 6 and ≤ 10	1
> 10 and ≤ 16	1.5
> 16 and ≤ 20	2.5
> 20 and ≤ 32	4
> 32 and ≤ 40	6

CHOOSE THE RIGHT CABLE SIZE

The size of the power supply cable, signal cable, fuse, and switch needed is determined by the maximum current of the unit. The maximum current is indicated on the nameplate located on the side panel of the unit. Refer to this nameplate to choose the right cable, fuse, or switch.

TAKE NOTE OF FUSE SPECIFICATIONS

The air conditioner's circuit board (PCB) is designed with a fuse to provide overcurrent protection. The specifications of the fuse

are printed on the circuit board, such as:

Indoor unit: T5A/250VAC

Outdoor unit(applicable to units adopt R32 refrigerant only):

T20A/250VAC(≤18000Btu/h units)

T30A/250VAC(>18000Btu/h units)

NOTE: The fuse is made of ceramic.

1. Prepare the cable for connection:
 - a. Using wire strippers, strip the rubber jacket from both ends of signal cable to reveal about 40mm (1.57in) of the wires inside.
 - b. Strip the insulation from the ends of the wires.
 - c. Using wire crimper, crimp u-type lugs on the ends of the wires.

PAY ATTENTION TO LIVE WIRE

While crimping wires, make sure you clearly distinguish the Live ("L") Wire from other wires.

2. Open front panel of the indoor unit.
3. Using a screwdriver, open the wire box cover on the right side of the unit. This will reveal the terminal block.

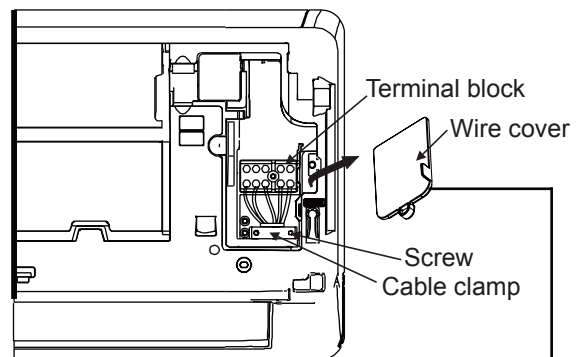


Fig. 3.9

The Wiring Diagram is located on the inside of the indoor unit's wire cover.

⚠ WARNING

ALL WIRING MUST PERFORMED STRICTLY IN ACCORDANCE WITH THE WIRING DIAGRAM LOCATED ON THE INSIDE OF THE INDOOR UNIT'S WIRE COVER.

4. Unscrew the cable clamp below the terminal block and place it to the side.

5. Facing the back of the unit, remove the plastic panel on the bottom left-hand side.
6. Feed the signal wire through this slot, from the back of the unit to the front.
7. Facing the front of the unit, match the wire colors with the labels on the terminal block, connect the u-lug and and firmly screw each wire to its corresponding terminal.

! CAUTION

DO NOT MIX UP LIVE AND NULL WIRES

This is dangerous, and can cause the air conditioning unit to malfunction.

8. After checking to make sure every connection is secure, use the cable clamp to fasten the signal cable to the unit. Screw the cable clamp down tightly.
9. Replace the wire cover on the front of the unit, and the plastic panel on the back.

! NOTE ABOUT WIRING

THE WIRING CONNECTION PROCESS MAY DIFFER SLIGHTLY BETWEEN UNITS.

Step 7: Wrap piping and cables

Before passing the piping, drain hose, and the signal cable through the wall hole, you must bundle them together to save space, protect them, and insulate them.

1. Bundle the drain hose, refrigerant pipes, and signal cable according to **Fig. 3.10**.

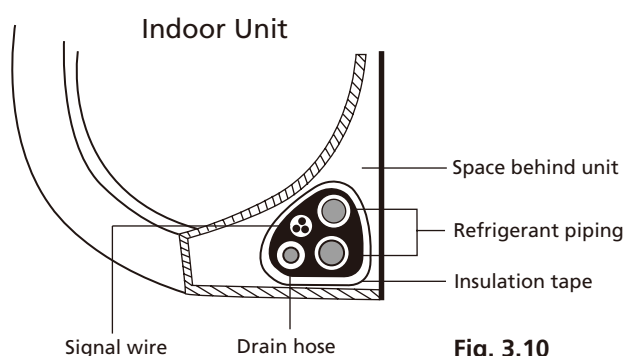


Fig. 3.10

DRAIN HOSE MUST BE ON BOTTOM

Make sure that the drain hose is at the bottom of the bundle. Putting the drain hose at the top of the bundle can cause the drain pan to overflow, which can lead to fire or water damage.

DO NOT INTERTWINE SIGNAL CABLE WITH OTHER WIRES

While bundling these items together, do not intertwine or cross the signal cable with any other wiring.

2. Using adhesive vinyl tape, attach the drain hose to the underside of the refrigerant pipes.
3. Using insulation tape, wrap the signal wire, refrigerant pipes, and drain hose tightly together. Double-check that all items are bundled in accordance with **Fig. 3.10**.

DO NOT WRAP ENDS OF PIPING

When wrapping the bundle, keep the ends of the piping unwrapped. You need to access them to test for leaks at the end of the installation process (refer to **Electrical Checks and Leak Checks** section of this manual).

Step 8: Mount indoor unit

If you installed new connective piping to the outdoor unit, do the following:

1. If you have already passed the refrigerant piping through the hole in the wall, proceed to Step 4.
2. Otherwise, double-check that the ends of the refrigerant pipes are sealed to prevent dirt or foreign materials from entering the pipes.
3. Slowly pass the wrapped bundle of refrigerant pipes, drain hose, and signal wire through the hole in the wall.
4. Hook the top of the indoor unit on the upper hook of the mounting plate.
5. Check that unit is hooked firmly on mounting by applying slight pressure to the left and right-hand sides of the unit. The unit should not jiggle or shift.
6. Using even pressure, push down on the bottom half of the unit. Keep pushing down until the unit snaps onto the hooks along the bottom of the mounting plate.
7. Again, check that the unit is firmly mounted by applying slight pressure to the left and the right-hand sides of the unit.

If refrigerant piping is already embedded in the wall, do the following:

1. Hook the top of the indoor unit on the upper hook of the mounting plate.
2. Use a bracket or wedge to prop up the unit, giving you enough room to connect the refrigerant piping, signal cable, and drain hose. Refer to **Fig. 3.11** for an example.

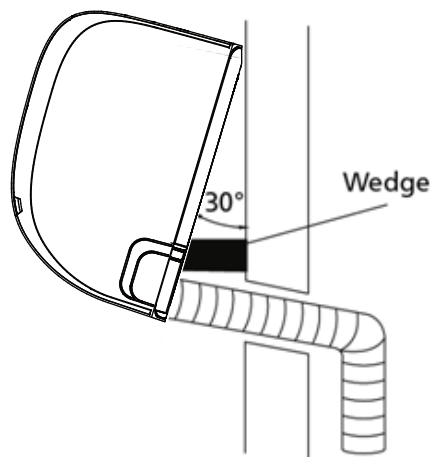
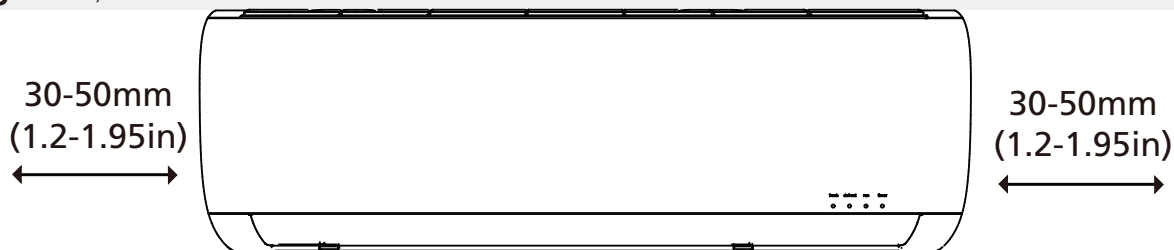


Fig. 3.11

3. Connect drain hose and refrigerant piping (refer to **Refrigerant Piping Connection** section of this manual for instructions).
4. Keep pipe connection point exposed to perform the leak test (refer to **Electrical Checks and Leak Checks** section of this manual).
5. After the leak test, wrap the connection point with insulation tape.
6. Remove the bracket or wedge that is propping up the unit.
7. Using even pressure, push down on the bottom half of the unit. Keep pushing down until the unit snaps onto the hooks along the bottom of the mounting plate.

UNIT IS ADJUSTABLE

Keep in mind that the hooks on the mounting plate are smaller than the holes on the back of the unit. If you find that you don't have ample room to connect embedded pipes to the indoor unit, the unit can be adjusted left or right by about 30-50mm (1.25-1.95in), depending on the model. (See **Fig. 3.12.**)

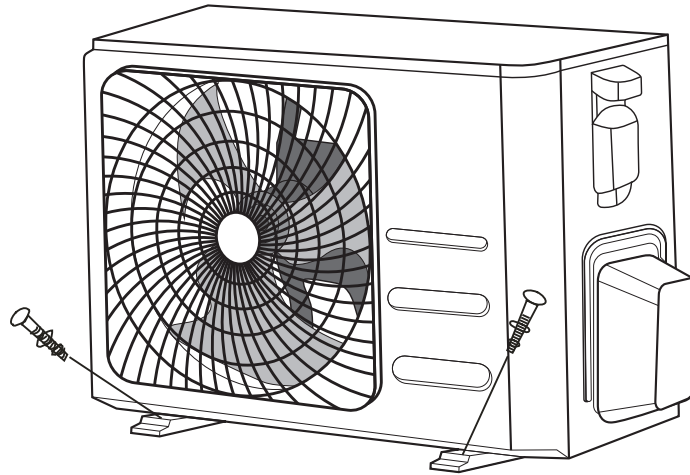


Move to left or right

Fig. 3.12

Outdoor Unit Installation

5



Installation Instructions – Outdoor Unit

Step 1: Select installation location

Before installing the outdoor unit, you must choose an appropriate location. The following are standards that will help you choose an appropriate location for the unit.

Proper installation locations meet the following standards:

- ☑ Meets all spatial requirements shown in Installation Space Requirements (**Fig. 4.1**)
- ☑ Good air circulation and ventilation
- ☑ Firm and solid—the location can support the unit and will not vibrate
- ☑ Noise from the unit will not disturb others
- ☑ Protected from prolonged periods of direct sunlight or rain

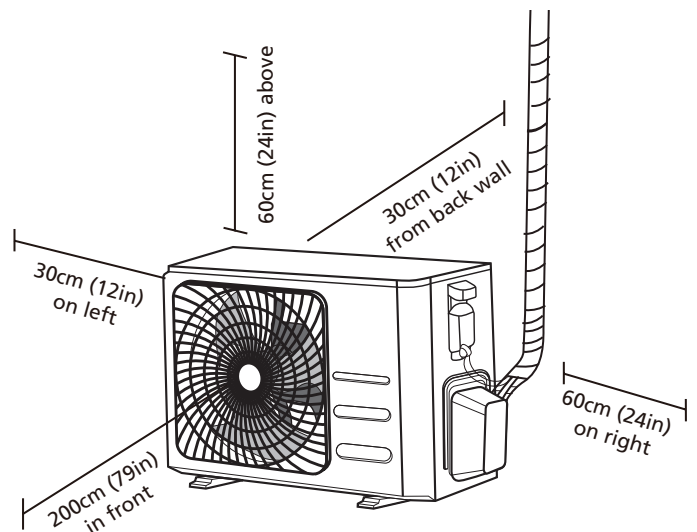


Fig. 4.1

DO NOT install unit in the following locations:

- ⊘ Near an obstacle that will block air inlets and outlets
- ⊘ Near a public street, crowded areas, or where noise from the unit will disturb others
- ⊘ Near animals or plants that will be harmed by hot air discharge
- ⊘ Near any source of combustible gas
- ⊘ In a location that is exposed to large amounts of dust
- ⊘ In a location exposed to a excessive amounts of salty air

SPECIAL CONSIDERATIONS FOR EXTREME WEATHER

If the unit is exposed to heavy wind:

Install unit so that air outlet fan is at a 90° angle to the direction of the wind. If needed, build a barrier in front of the unit to protect it from extremely heavy winds.

See **Fig. 4.2** and **Fig. 4.3** below.

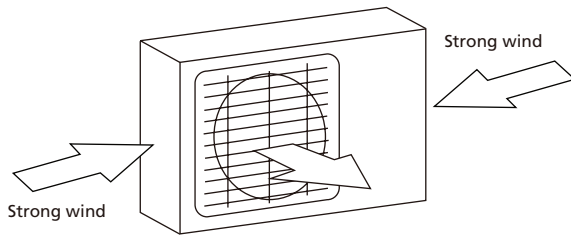


Fig. 4.2

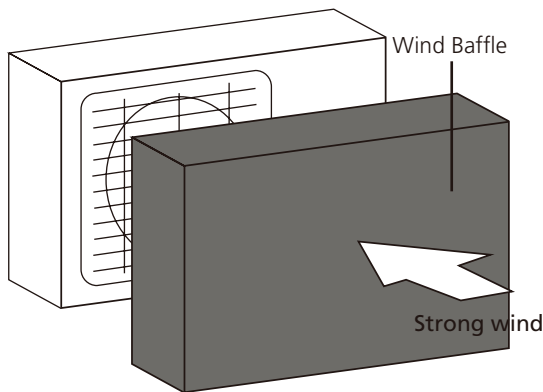


Fig. 4.3

If the unit is frequently exposed to heavy rain or snow:

Build a shelter above the unit to protect it from the rain or snow. Be careful not to obstruct air flow around the unit.

If the unit is frequently exposed to salty air (seaside):

Use outdoor unit that is specially designed to resist corrosion.

Step 2: Install drain joint

Heat pump units require a drain joint. Before bolting the outdoor unit in place, you must install the drain joint at the bottom of the unit. Note that there are two different types of drain joints depending on the type of outdoor unit.

If the drain joint comes with a rubber seal (see **Fig. 4.4 - A**), do the following:

1. Fit the rubber seal on the end of the drain joint that will connect to the outdoor unit.
2. Insert the drain joint into the hole in the base pan of the unit.
3. Rotate the drain joint 90° until it clicks in place facing the front of the unit.
4. Connect a drain hose extension (not included) to the drain joint to redirect water from the unit during heating mode.

If the drain joint doesn't come with a rubber seal (see **Fig. 4.4 - B**), do the following:

1. Insert the drain joint into the hole in the base pan of the unit. The drain joint will click in place.
2. Connect a drain hose extension (not included) to the drain joint to redirect water from the unit during heating mode.

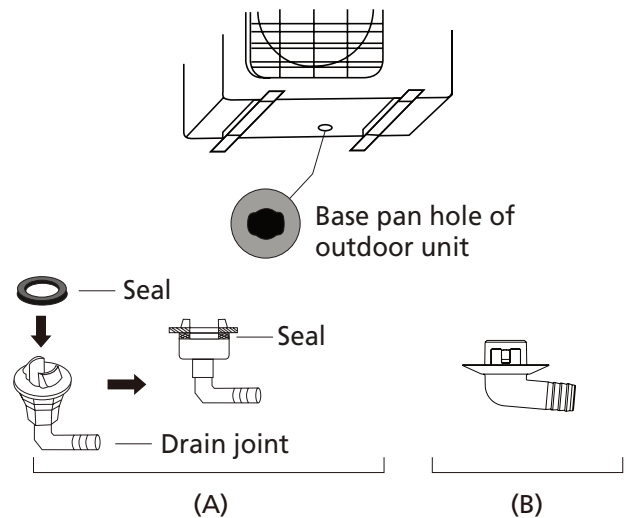


Fig. 4.4

! IN COLD CLIMATES

In cold climates, make sure that the drain hose is as vertical as possible to ensure swift water drainage. If water drains too slowly, it can freeze in the hose and flood the unit.

Step 3: Anchor outdoor unit

The outdoor unit can be anchored to the ground or to a wall-mounted bracket.

UNIT MOUNTING DIMENSIONS

The following is a list of different outdoor unit sizes and the distance between their mounting feet. Prepare the installation base of the unit according to the dimensions below.

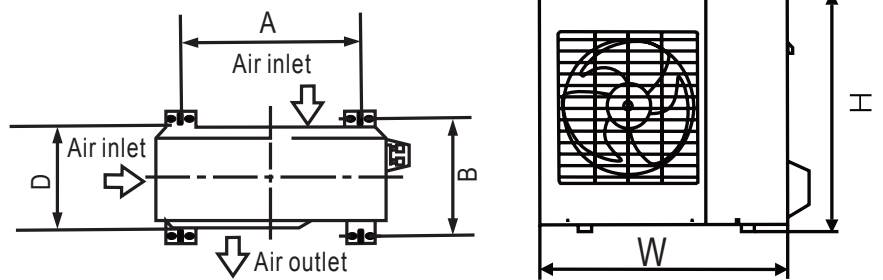


Fig. 4.5

Models	Outdoor unit Dimensions (mm)	Mounting Dimensions	
	W x H x D	Distance A (mm)	Distance B (mm)
AW-YHDH009-H91 AW-YHDH012-H91	770 x 555 x 300	487	298
AW-YHDH018-H91	800 x 554 x 333	514	340
AW-YHDH024-H91	845 x 700 x 340	540	350

If you will install the unit on the ground or on a concrete mounting platform, do the following:

1. Mark the positions for four expansion bolts based on dimensions in the Unit Mounting Dimensions chart.
2. Pre-drill holes for expansion bolts.
3. Clean concrete dust away from holes.
4. Place a nut on the end of each expansion bolt.
5. Hammer expansion bolts into the pre-drilled holes.

6. Remove the nuts from expansion bolts, and place outdoor unit on bolts.
7. Put washer on each expansion bolt, then replace the nuts.
8. Using a wrench, tighten each nut until snug.

WARNING

WHEN DRILLING INTO CONCRETE, EYE PROTECTION IS RECOMMENDED AT ALL TIMES.

If you will install the unit on a wall-mounted bracket, do the following:

CAUTION

Before installing a wall-mounted unit, make sure that the wall is made of solid brick, concrete, or of similarly strong material. **The wall must be able to support at least four times the weight of the unit.**

1. Mark the position of bracket holes based on dimensions in the Unit Mounting Dimensions chart.
2. Pre-drill the holes for the expansion bolts.
3. Clean dust and debris away from holes.
4. Place a washer and nut on the end of each expansion bolt.
5. Thread expansion bolts through holes in mounting brackets, put mounting brackets in position, and hammer expansion bolts into the wall.
6. Check that the mounting brackets are level.
7. Carefully lift unit and place its mounting feet on brackets.
8. Bolt the unit firmly to the brackets.

TO REDUCE VIBRATIONS OF WALL-MOUNTED UNIT

If allowed, you can install the wall-mounted unit with rubber gaskets to reduce vibrations and noise.

Step 4: Connect signal and power cables

The outside unit's terminal block is protected by an electrical wiring cover on the side of the unit. A comprehensive wiring diagram is printed on the inside of the wiring cover.



BEFORE PERFORMING ELECTRICAL WORK, READ THESE REGULATIONS

1. All wiring must comply with local and national electrical codes, and must be installed by a licensed electrician.
2. All electrical connections must be made according to the Electrical Connection Diagram located on the side panels of the indoor and outdoor units.
3. If there is a serious safety issue with the power supply, stop work immediately. Explain your reasoning to the client, and refuse to install the unit until the safety issue is properly resolved.
4. Power voltage should be within 90-110% of rated voltage. Insufficient power supply can cause electrical shock or fire.
5. If connecting power to fixed wiring, install a surge protector and main power switch with a capacity of 1.5 times the maximum current of the unit.
6. If connecting power to fixed wiring, a switch or circuit breaker that disconnects all poles and has a contact separation of at least 1/8in (3mm) must be incorporated in the fixed wiring. The qualified technician must use an approved circuit breaker or switch.
7. Only connect the unit to an individual branch circuit outlet. Do not connect another appliance to that outlet.
8. Make sure to properly ground the air conditioner.
9. Every wire must be firmly connected. Loose wiring can cause the terminal to overheat, resulting in product malfunction and possible fire.
10. **Do not** let wires touch or rest against refrigerant tubing, the compressor, or any moving parts within the unit.
11. If the unit has an auxiliary electric heater, it must be installed at least 1 meter (40in) away from any combustible materials.

! WARNING

BEFORE PERFORMING ANY ELECTRICAL OR WIRING WORK, TURN OFF THE MAIN POWER TO THE SYSTEM.

1. Prepare the cable for connection:

USE THE RIGHT CABLE

- Indoor Power Cable (if applicable): H05VV-F or H05V2V2-F
- Outdoor Power Cable: H07RN-F
- Signal Cable: H07RN-F

Minimum Cross-Sectional Area of Power and Signal Cables

North America

Appliance Amps (A)	AWG
10	18
13	16
18	14
25	12
30	10

Other Regions

Rated Current of Appliance (A)	Nominal Cross-Sectional Area (mm ²)
> 3 and ≤ 6	0.75
> 6 and ≤ 10	1
> 10 and ≤ 16	1.5
> 16 and ≤ 20	2.5
> 20 and ≤ 32	4
> 32 and ≤ 40	6

- Using wire strippers, strip the rubber jacket from both ends of cable to reveal about 40mm (1.57in) of the wires inside.
- Strip the insulation from the ends of the wires.
- Using a wire crimper, crimp u-lugs on the ends of the wires.

PAY ATTENTION TO LIVE WIRE

While crimping wires, make sure you clearly distinguish the Live ("L") Wire from other wires.

! WARNING

ALL WIRING MUST PERFORMED STRICTLY IN ACCORDANCE WITH THE WIRING DIRGRAM LOCATED INSIDE THE OUTDOOR UNIT'S WIRE COVER.

- Unscrew the electrical wiring cover and remove it.
- Unscrew the cable clamp below the terminal block and place it to the side.
- Match the wire colors/labels with the labels on the terminal block, and firmly screw the u-lug of each wire to its corresponding terminal.
- After checking to make sure every connection is secure, loop the wires around to prevent rain water from flowing into the terminal.
- Using the cable clamp, fasten the cable to the unit. Screw the cable clamp down tightly.
- Insulate unused wires with PVC electrical tape. Arrange them so that they do not touch any electrical or metal parts.
- Replace the wire cover on the side of the unit, and screw it in place.

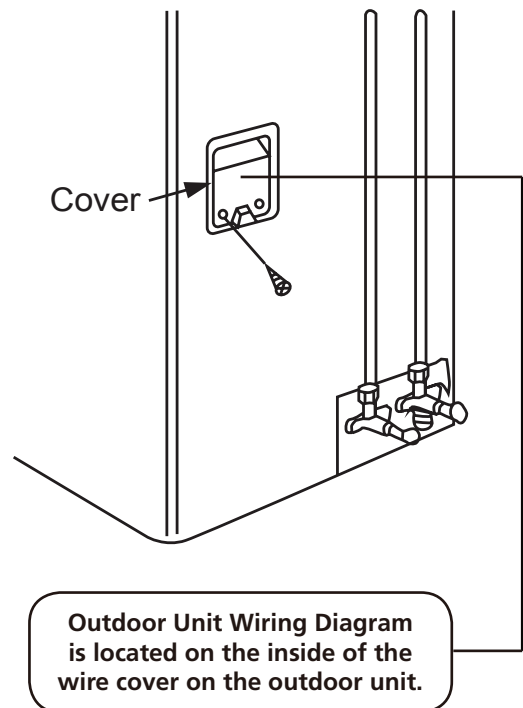
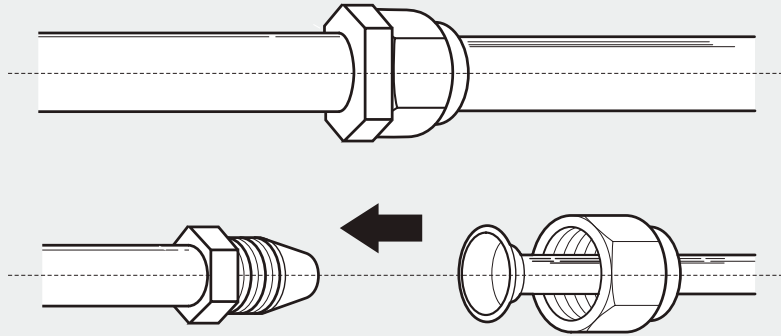


Fig. 4.6

Refrigerant Piping Connection

6



Note on Pipe Length

The length of refrigerant piping will affect the performance and energy efficiency of the unit. Nominal efficiency is tested on units with a pipe length of 5 meters (16.5ft). A minimum pipe run of 3 metres is required to minimise vibration & excessive noise.

For special tropical area, the maximum length of refrigerant pipe should not exceed 10 meters(32.8ft) and no refrigerant can be added(For R290 refrigerant models).

Refer to the table below for specifications on the maximum length and drop height of piping.

Maximum Length and Drop Height of Refrigerant Piping per Unit Model

Model	Capacity (BTU/h)	Max. Length (m)	Max. Drop Height (m)
R32 Inverter Split Air Conditioner	< 15,000	25 (82ft)	10 (33ft)
	≥ 15,000 and < 24,000	30 (98.5ft)	20 (66ft)
	≥ 24,000 and < 36,000	50 (164ft)	25 (82ft)
	≥ 36,000 and ≤ 60,000	65 (213ft)	30 (98.5ft)

Connection Instructions – Refrigerant Piping

Step 1: Cut pipes

When preparing refrigerant pipes, take extra care to cut and flare them properly. This will ensure efficient operation and minimize the need for future maintenance. **For R32 refrigerant models, the pipe connection points must be placed outside of room.**

1. Measure the distance between the indoor and outdoor units.

2. Using a pipe cutter, cut the pipe a little longer than the measured distance.
3. Make sure that the pipe is cut at a perfect 90° angle. Refer to **Fig. 5.1** for bad cut examples.

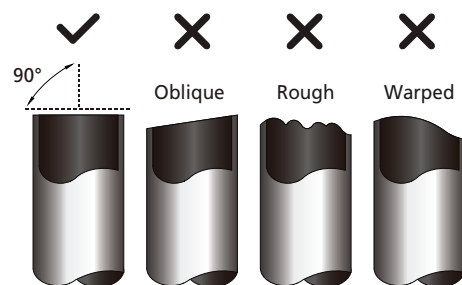


Fig. 5.1

! DO NOT DEFORM PIPE WHILE CUTTING

Be extra careful not to damage, dent, or deform the pipe while cutting. This will drastically reduce the heating efficiency of the unit.

Step 2: Remove burrs

Burrs can affect the air-tight seal of refrigerant piping connection. They must be completely removed.

1. Hold the pipe at a downward angle to prevent burrs from falling into the pipe.
2. Using a reamer or deburring tool, remove all burrs from the cut section of the pipe.

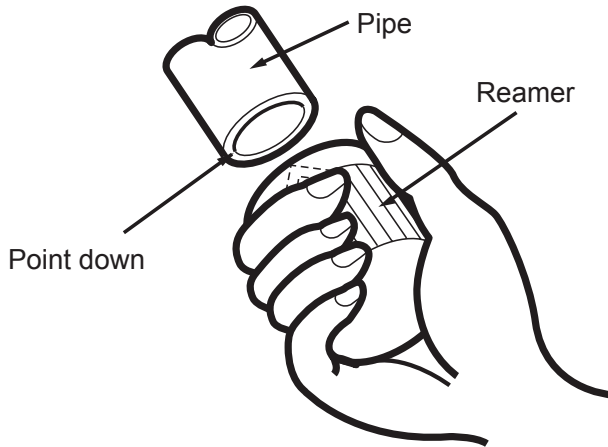


Fig. 5.2

Step 3: Flare pipe ends

Proper flaring is essential to achieve an airtight seal.

1. After removing burrs from cut pipe, seal the ends with PVC tape to prevent foreign materials from entering the pipe.
2. Sheath the pipe with insulating material.
3. Place flare nuts on both ends of pipe. Make sure they are facing in the right direction, because you can't put them on or change their direction after flaring. See **Fig. 5.3**

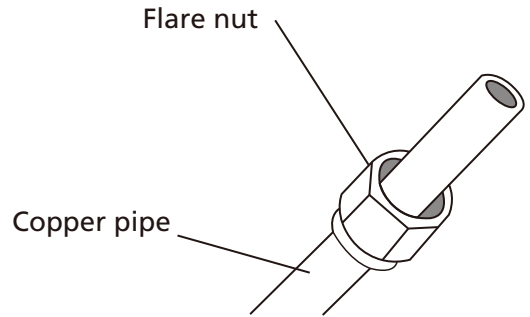


Fig. 5.3

4. Remove PVC tape from ends of pipe when ready to perform flaring work.
5. Clamp flare form on the end of the pipe. The end of the pipe must extend beyond the edge of the flare form in accordance with the dimensions shown in the table below.

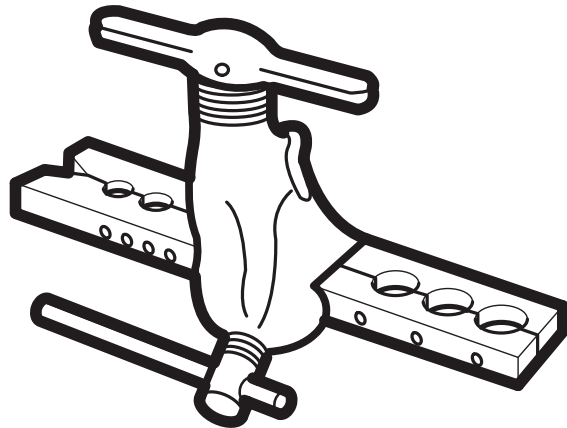


Fig. 5.4

PIPING EXTENSION BEYOND FLARE FORM

Outer Diameter of Pipe (mm)	A (mm)	
	Min.	Max.
Ø 6.35 (Ø 0.25")	0.7 (0.0275")	1.3 (0.05")
Ø 9.52 (Ø 0.375")	1.0 (0.04")	1.6 (0.063")
Ø 12.7 (Ø 0.5")	1.0 (0.04")	1.8 (0.07")
Ø 16 (Ø 0.63")	2.0 (0.078")	2.2 (0.086")
Ø 19 (Ø 0.75")	2.0 (0.078")	2.4 (0.094")

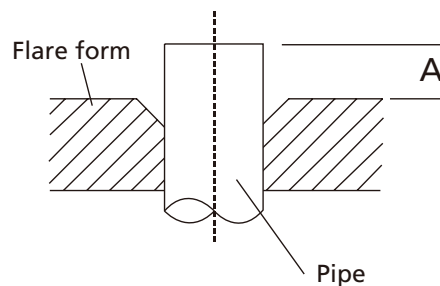


Fig. 5.5

- Place flaring tool onto the form.
- Turn the handle of the flaring tool clockwise until the pipe is fully flared.
- Remove the flaring tool and flare form, then inspect the end of the pipe for cracks and even flaring.

Step 4: Connect pipes

When connecting refrigerant pipes, be careful not to use excessive torque or to deform the piping in any way. You should first connect the indoor unit, then the outdoor unit.

MINIMUM BEND RADIUS

When bending connective refrigerant piping, the minimum bending radius is 10cm. See **Fig.5.6**

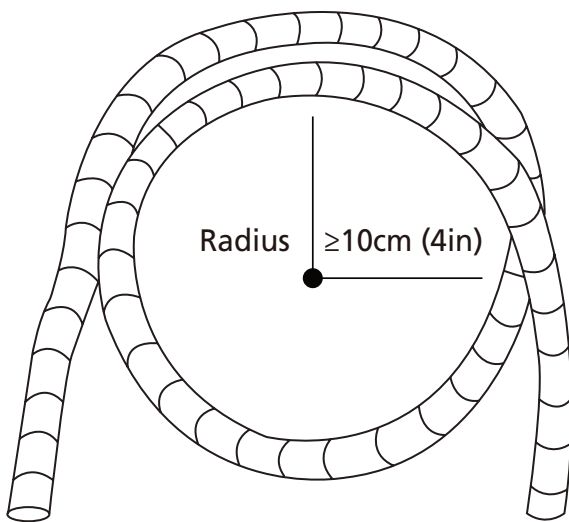


Fig. 5.6

Instructions for Connecting Piping to Indoor Unit

- Align the center of the two pipes that you will connect. See **Fig. 5.7**.

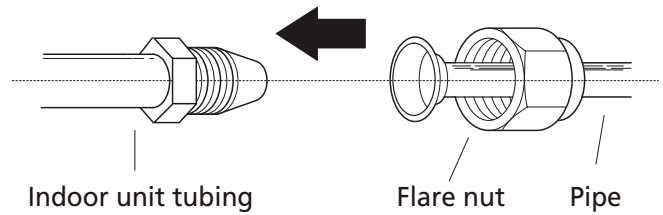


Fig. 5.7

- Tighten the flare nut as tightly as possible by hand.
- Using a spanner, grip the nut on the unit tubing.
- While firmly gripping the nut on the unit tubing, use a torque wrench to tighten the flare nut according to the torque values in the **Torque Requirements** table below. Loosen the flaring nut slightly, then tighten again.

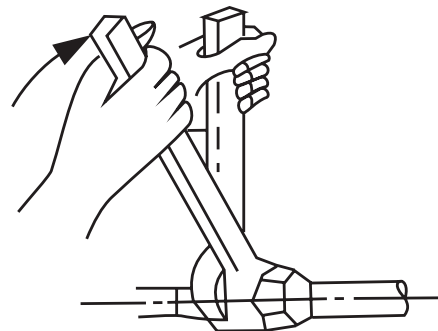


Fig. 5.8

TORQUE REQUIREMENTS

Outer Diameter of Pipe (mm)	Tightening Torque (N•cm)	Add. Tightening Torque (N•cm)
Ø 6.35 (Ø 0.25")	1,500 (11lb•ft)	1,600 (11.8lb•ft)
Ø 9.52 (Ø 0.375")	2,500 (18.4lb•ft)	2,600 (19.18lb•ft)
Ø 12.7 (Ø 0.5")	3,500 (25.8lb•ft)	3,600 (26.55lb•ft)
Ø 16 (Ø 0.63")	4,500 (33.19lb•ft)	4,700 (34.67lb•ft)
Ø 19 (Ø 0.75")	6,500 (47.94lb•ft)	6,700 (49.42lb•ft)

! DO NOT USE EXCESSIVE TORQUE

Excessive force can break the nut or damage the refrigerant piping. You must not exceed torque requirements shown in the table above.

Instructions for Connecting Piping to Outdoor Unit

1. Unscrew the cover from the packed valve on the side of the outdoor unit. (See **Fig. 5.9**)

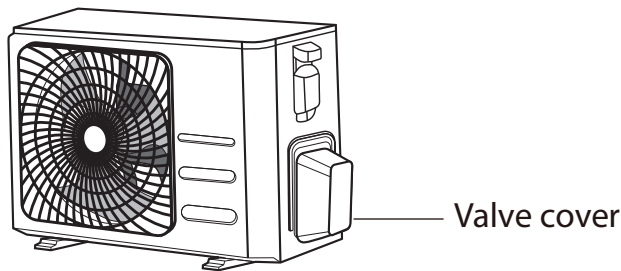


Fig. 5.9

2. Remove protective caps from ends of valves.
3. Align flared pipe end with each valve, and tighten the flare nut as tightly as possible by hand.
4. Using a spanner, grip the body of the valve. Do not grip the nut that seals the service valve. (See **Fig. 5.10**)

! USE SPANNER TO GRIP MAIN BODY OF VALVE

Torque from tightening the flare nut can snap off other parts of valve.

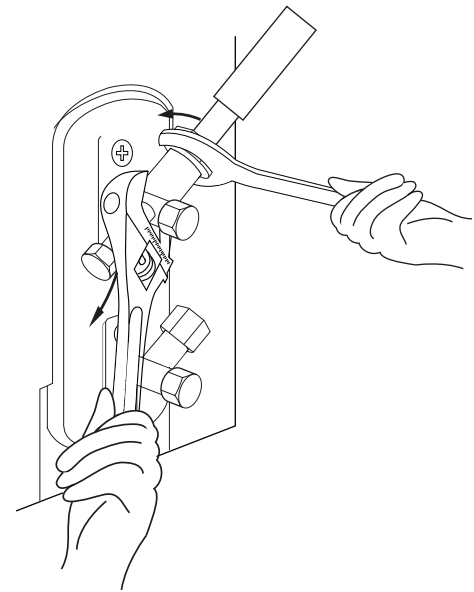
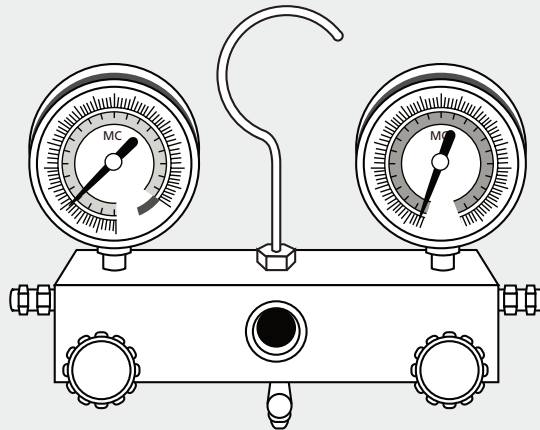


Fig. 5.10

5. While firmly gripping the body of the valve, use a torque wrench to tighten the flare nut according to the correct torque values.
6. Loosen the flaring nut slightly, then tighten again.
7. Repeat Steps 3 to 6 for the remaining pipe.

OUTDOOR UNIT	Refrigerant/GWP	Charge (5m) (Kg)
AW-YHDH009-H91	R32/675	0,7
AW-YHDH012-H91	R32/675	0,8
AW-YHDH018-H91	R32/675	1,25
AW-YHDH024-H91	R32/675	1,6



Preparations and Precautions

Air and foreign matter in the refrigerant circuit can cause abnormal rises in pressure, which can damage the air conditioner, reduce its efficiency, and cause injury. Use a vacuum pump and manifold gauge to evacuate the refrigerant circuit, removing any non-condensable gas and moisture from the system.

Evacuation should be performed upon initial installation and when unit is relocated.

BEFORE PERFORMING EVACUATION

- ☑ Check to make sure that both high-pressure and low-pressure pipes between the indoor and outdoor units are connected properly in accordance with the Refrigerant Piping Connection section of this manual.
- ☑ Check to make sure all wiring is connected properly.

Evacuation Instructions

Before using the manifold gauge and vacuum pump, read their operation manuals to familiarize yourself with how to use them properly.

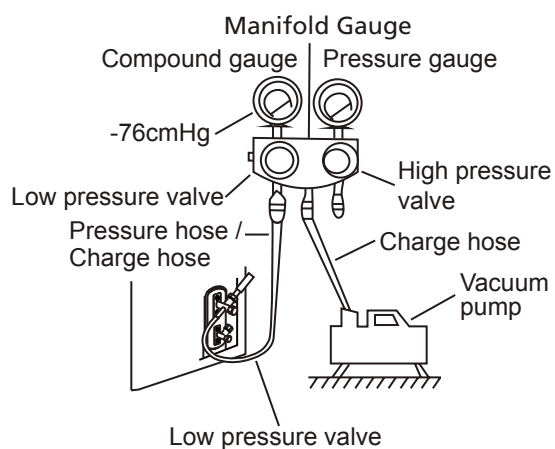


Fig. 6.1

1. Connect the charge hose of the manifold gauge to service port on the outdoor unit's low pressure valve.
2. Connect another charge hose from the manifold gauge to the vacuum pump.
3. Open the Low Pressure side of the manifold gauge. Keep the High Pressure side closed.
4. Turn on the vacuum pump to evacuate the system.
5. Run the vacuum for at least 15 minutes, or until the Compound Meter reads -76cmHG (-10⁵ Pa).

6. Close the Low Pressure side of the manifold gauge, and turn off the vacuum pump.
7. Wait for 5 minutes, then check that there has been no change in system pressure.
8. If there is a change in system pressure, refer to Gas Leak Check section for information on how to check for leaks. If there is no change in system pressure, unscrew the cap from the packed valve (high pressure valve).
9. Insert hexagonal wrench into the packed valve (high pressure valve) and open the valve by turning the wrench in a 1/4 counterclockwise turn. Listen for gas to exit the system, then close the valve after 5 seconds.
10. Watch the Pressure Gauge for one minute to make sure that there is no change in pressure. The Pressure Gauge should read slightly higher than atmospheric pressure.
11. Remove the charge hose from the service port.

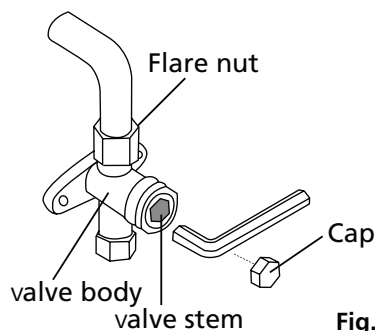


Fig. 6.2

12. Using hexagonal wrench, fully open both the high pressure and low pressure valves.
13. Tighten valve caps on all three valves (service port, high pressure, low pressure) by hand. You may tighten it further using a torque wrench if needed.

! OPEN VALVE STEMS GENTLY

When opening valve stems, turn the hexagonal wrench until it hits against the stopper. Do not try to force the valve to open further.

Note on Adding Refrigerant

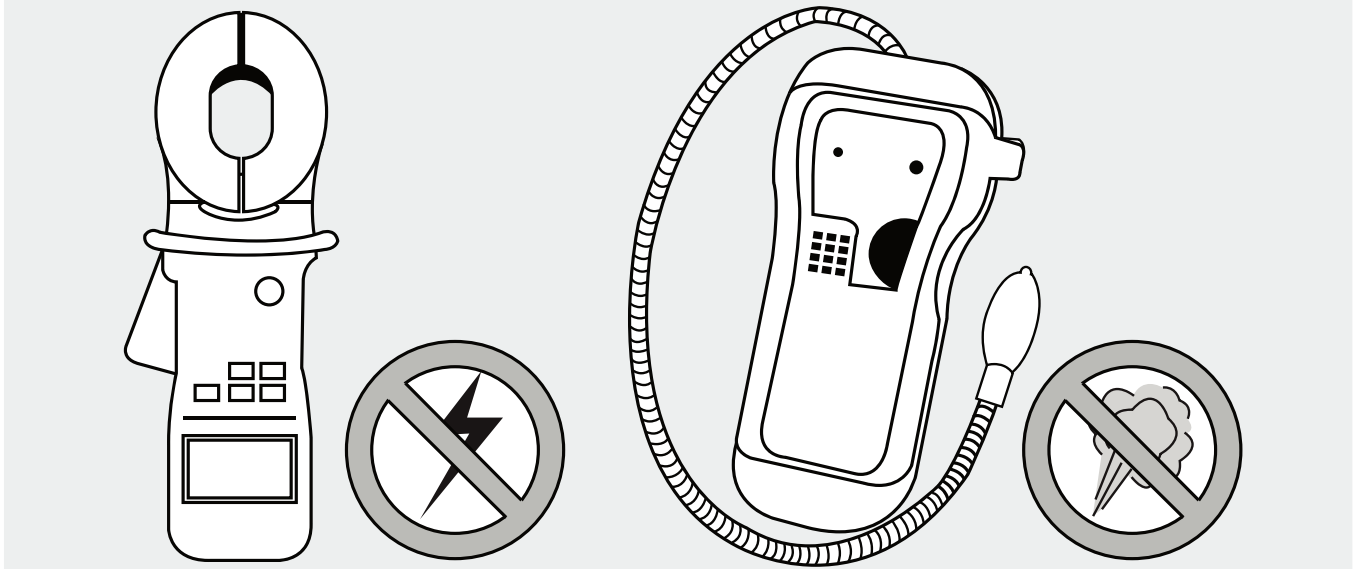
Some systems require additional charging depending on pipe lengths. The standard pipe length varies according to local regulations. For example, in North America, the standard pipe length is 7.5m (25'). In other areas, the standard pipe length is 5m (16'). The refrigerant should be charged from the service port on the outdoor unit's low pressure valve. The additional refrigerant to be charged can be calculated using the following formula:

ADDITIONAL REFRIGERANT PER PIPE LENGTH

Connective Pipe Length (m)	Air Purging Method	Additional Refrigerant	
≤ Standard pipe length	Vacuum Pump	N/A	
> Standard pipe length	Vacuum Pump	Liquid Side: Ø 6.35 (ø 0.25") R32: (Pipe length – standard length) x 12g/m (Pipe length – standard length) x 0.13oZ/ft	Liquid Side: Ø 9.52 (ø 0.375") R32: (Pipe length – standard length) x 24g/m (Pipe length – standard length) x 0.26oZ/ft

! CAUTION DO NOT mix refrigerant types.

Electrical and Gas Leak Checks



Electrical Safety Checks

After installation, confirm that all electrical wiring is installed in accordance with local and national regulations, and according to the Installation Manual.

BEFORE TEST RUN

Check Grounding Work

Measure grounding resistance by visual detection and with grounding resistance tester. Grounding resistance must be less than 0.1Ω .

Note: This may not be required for some locations in the US.

DURING TEST RUN

Check for Electrical Leakage

During the **Test Run**, use an electroprobe and multimeter to perform a comprehensive electrical leakage test.

If electrical leakage is detected, turn off the unit immediately and call a licensed electrician to find and resolve the cause of the leakage.

Note: This may not be required for some locations in the US.

WARNING – RISK OF ELECTRIC SHOCK

ALL WIRING MUST COMPLY WITH LOCAL AND NATIONAL ELECTRICAL CODES, AND MUST BE INSTALLED BY A LICENSED ELECTRICIAN.

Gas Leak Checks

There are two different methods to check for gas leaks.

Soap and Water Method

Using a soft brush, apply soapy water or liquid detergent to all pipe connection points on the indoor unit and outdoor unit. The presence of bubbles indicates a leak.

Leak Detector Method

If using leak detector, refer to the device's operation manual for proper usage instructions.

AFTER PERFORMING GAS LEAK CHECKS

After confirming that the all pipe connection points DO NOT leak, replace the valve cover on the outside unit.

Test Run

9

Before Test Run

Only perform test run after you have completed the following steps:

- **Electrical Safety Checks** – Confirm that the unit's electrical system is safe and operating properly
- **Gas Leak Checks** – Check all flare nut connections and confirm that the system is not leaking
- Confirm that gas and liquid (high and low pressure) valves are fully open

Test Run Instructions

You should perform the **Test Run** for at least 30 minutes.

1. Connect power to the unit.
2. Press the **ON/OFF** button on the remote controller to turn it on.
3. Press the **MODE** button to scroll through the following functions, one at a time:
 - COOL – Select lowest possible temperature
 - HEAT – Select highest possible temperature
4. Let each function run for 5 minutes, and perform the following checks:

List of Checks to Perform	PASS/FAIL	
No electrical leakage		
Unit is properly grounded		
All electrical terminals properly covered		
Indoor and outdoor units are solidly installed		
All pipe connection points do not leak	Outdoor (2):	Indoor (2):
Water drains properly from drain hose		
All piping is properly insulated		
Unit performs COOL function properly		
Unit performs HEAT function properly		
Indoor unit louvers rotate properly		
Indoor unit responds to remote controller		

DOUBLE-CHECK PIPE CONNECTIONS

During operation, the pressure of the refrigerant circuit will increase. This may reveal leaks that were not present during your initial leak check. Take time during the Test Run to double-check that all refrigerant pipe connection points do not have leaks. Refer to **Gas Leak Check** section for instructions.

5. After the Test Run is successfully completed, and you confirm that all checks points in List of Checks to Perform have PASSED, do the following:
 - a. Using remote control, return unit to normal operating temperature.
 - b. Using insulation tape, wrap the indoor refrigerant pipe connections that you left uncovered during the indoor unit installation process.

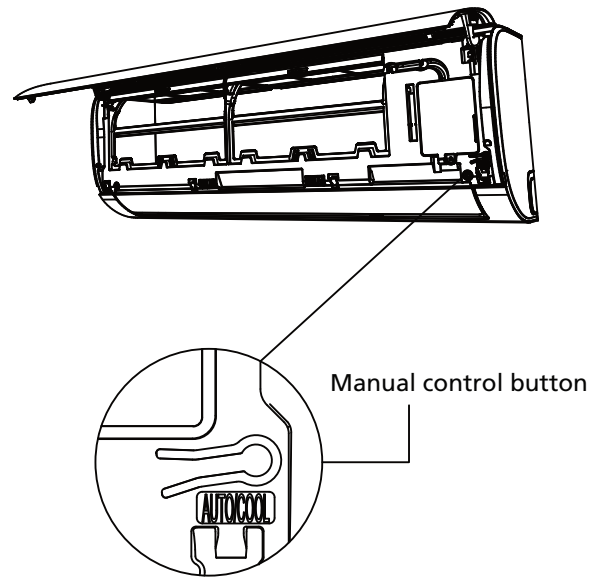


Fig. 8.1

IF AMBIENT TEMPERATURE IS BELOW 17°C (63°F)

You can't use the remote controller to turn on the COOL function when the ambient temperature is below 17°C. In this instance, you can use the **MANUAL CONTROL** button to test the COOL function.

1. Lift the front panel of the indoor unit, and raise it until it clicks in place.
2. The **MANUAL CONTROL** button is located on the right-hand side of the unit. Press it 2 times to select the COOL function. See **Fig.8.1**
3. Perform Test Run as normal.

European Disposal Guidelines

10

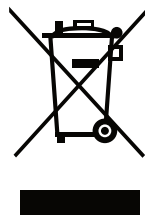
This appliance contains refrigerant and other potentially hazardous materials. When disposing of this appliance, the law requires special collection and treatment. **Do not** dispose of this product as household waste or unsorted municipal waste.

When disposing of this appliance, you have the following options:

- Dispose of the appliance at designated municipal electronic waste collection facility.
- When buying a new appliance, the retailer will take back the old appliance free of charge.
- The manufacturer will take back the old appliance free of charge.
- Sell the appliance to certified scrap metal dealers.

Special notice

Disposing of this appliance in the forest or other natural surroundings endangers your health and is bad for the environment. Hazardous substances may leak into the ground water and enter the food chain.



Information Servicing

(Required for the units adopt R32 Refrigerant only)

11

1. Checks to the area

Prior to beginning work on systems containing flammable refrigerants, safety checks are necessary to ensure that the risk of ignition is minimised. For repair to the refrigerating system, the following precautions shall be complied with prior to conducting work on the system.

2. Work procedure

Works shall be undertaken under a controlled procedure so as to minimise the risk of a flammable gas or vapour being present while the work is being performed.

3. General work area

All maintenance staff and others working in the local area shall be instructed on the nature of work being carried out. Work in confined spaces shall be avoided. The area around the work space shall be sectioned off. Ensure that the conditions within the area have been made safe by control of flammable material.

4. Checking for presence of refrigerant

The area shall be checked with an appropriate refrigerant detector prior to and during work, to ensure the technician is aware of potentially flammable atmospheres. Ensure that the leak detection equipment being used is suitable for use with flammable refrigerants, i.e. no sparking, adequately sealed or intrinsically safe.

5. Presence of fire extinguisher

If any hot work is to be conducted on the refrigeration equipment or any associated parts, appropriate fire extinguishing equipment shall be available to hand. Have a dry power or CO₂ fire extinguisher adjacent to the charging area.

6. No ignition sources

No person carrying out work in relation to a refrigeration system which involves exposing any pipe work that contains or has contained flammable refrigerant shall use any sources of ignition in such a manner that it may lead to the risk of fire or explosion. All possible ignition sources, including cigarette smoking, should be kept sufficiently far away from the site of installation, repairing, removing and disposal, during which flammable refrigerant can possibly be released to the surrounding space. Prior to work taking place, the area around the equipment is to be surveyed to make sure that there are no flammable hazards or ignition risks. "NO SMOKING" signs shall be displayed.

7. Ventilated area

Ensure that the area is in the open or that it is adequately ventilated before breaking into the system or conducting any hot work. A degree of ventilation shall continue during the period that the work is carried out. The ventilation should safely disperse any released refrigerant and preferably expel it externally into the atmosphere.

8. Checks to the refrigeration equipment

Where electrical components are being changed, they shall be fit for the purpose and to the correct specification. At all times the manufacturer's maintenance and service guidelines shall be followed. If in doubt consult the manufacturer's technical department for assistance. The following checks shall be applied to installations using flammable refrigerants:

- the charge size is in accordance with the room size within which the refrigerant containing parts are installed;
- the ventilation machinery and outlets are operating adequately and are not obstructed;
- if an indirect refrigerating circuit is being used, the secondary circuits shall be checked for the presence of refrigerant; marking to the equipment continues to be visible and legible.
- marking and signs that are illegible shall be corrected;
- refrigeration pipe or components are installed in a position where they are unlikely to be exposed to any substance which may corrode refrigerant containing components, unless
- the components are constructed of materials which are inherently resistant to being
- corroded or are suitably protected against being so corroded.

9. Checks to electrical devices

Repair and maintenance to electrical components shall include initial safety checks and component inspection procedures. If a fault exists that could compromise safety, then no electrical supply shall be connected to the circuit until it is satisfactorily dealt with. If the fault cannot be corrected immediately but it is necessary to continue operation, and adequate temporary solution shall be used. This shall be reported to the owner of the equipment so all parties are advised.

Initial safety checks shall include:

- that capacitors are discharged: this shall be done in a safe manner to avoid possibility of sparking
- that there no live electrical components and wiring are exposed while charging, recovering or purging the system;
- that there is continuity of earth bonding.

10. Repairs to sealed components

10.1 During repairs to sealed components, all electrical supplies shall be disconnected from the equipment being worked upon prior to any removal of sealed covers, etc. If it is absolutely necessary to have an electrical supply to equipment during servicing, then a permanently operating form of leak detection shall be located at the most critical point to warn of a potentially hazardous situation.

10.2 Particular attention shall be paid to the following to ensure that by working on electrical components, the casing is not altered in such a way that the level of protection is affected. This shall include damage to cables, excessive number of connections, terminals not made to original specification, damage to seals, incorrect fitting of glands, etc.

- Ensure that apparatus is mounted securely.
- Ensure that seals or sealing materials have not degraded such that they no longer serve the purpose of preventing the ingress of flammable atmospheres. Replacement parts shall be in accordance with the manufacturer's specifications.

NOTE: The use of silicon sealant may inhibit the effectiveness of some types of leak detection equipment. Intrinsically safe components do not have to be isolated prior to working on them.

11. Repair to intrinsically safe components

Do not apply any permanent inductive or capacitance loads to the circuit without ensuring that this will not exceed the permissible voltage and current permitted for the equipment in use. Intrinsically safe components are the only types that can be worked on while live in the presence of a flammable atmosphere. The test apparatus shall be at the correct rating.

Replace components only with parts specified by the manufacturer. Other parts may result in the ignition of refrigerant in the atmosphere from a leak.

12. Cabling

Check that cabling will not be subject to wear, corrosion, excessive pressure, vibration, sharp edges or any other adverse environmental effects. The check shall also take into account the effects of aging or continual vibration from sources such as compressors or fans.

13. Detection of flammable refrigerants

Under no circumstances shall potential sources of ignition be used in the searching for or detection of refrigerant leaks. A halide torch (or any other detector using a naked flame) shall not be used.

14. Leak detection methods

The following leak detection methods are deemed acceptable for systems containing flammable refrigerants. Electronic leak detectors shall be used to detect flammable refrigerants, but the sensitivity may not be adequate, or may need re-calibration. (Detection equipment shall be calibrated in a refrigerant-free area.) Ensure that the detector is not a potential source of ignition and is suitable for the refrigerant. Leak detection equipment shall be set at a percentage of the LFL of the refrigerant and shall be calibrated to the refrigerant employed and the appropriate percentage of gas (25% maximum) is confirmed. Leak detection fluids are suitable for use with most refrigerants but the use of detergents containing chlorine shall be avoided as the chlorine may react with the refrigerant and corrode the copper pipe-work.

If a leak is suspected, all naked flames shall be removed or extinguished. If a leakage of refrigerant is found which requires brazing, all of the refrigerant shall be recovered from the system, or isolated (by means of shut off valves) in a part of the system remote from the leak. Oxygen free nitrogen (OFN) shall then be purged through the system both before and during the brazing process.

15. Removal and evacuation

When breaking into the refrigerant circuit to make repairs or for any other purpose conventional procedures shall be used. However, it is important that best practice is followed since flammability is a consideration. The following procedure shall be adhered to:

- remove refrigerant;
- purge the circuit with inert gas;
- evacuate;
- purge again with inert gas;
- open the circuit by cutting or brazing.

The refrigerant charge shall be recovered into the correct recovery cylinders. The system shall be flushed with OFN to render the unit safe. This process may need to be repeated several times. Compressed air or oxygen shall not be used for this task.

Flushing shall be achieved by breaking the vacuum in the system with OFN and continuing to fill until the working pressure is achieved, then venting to atmosphere, and finally pulling down to a vacuum. This process shall be repeated until no refrigerant is within the system.

When the final OFN charge is used, the system shall be vented down to atmospheric pressure to enable work to take place. This operation is absolutely vital if brazing operations on the pipe-work are to take place.

Ensure that the outlet for the vacuum pump is not closed to any ignition sources and there is ventilation available.

16. Charging procedures

In addition to conventional charging procedures, the following requirements shall be followed:

- Ensure that contamination of different refrigerants does not occur when using charging equipment. Hoses or lines shall be as short as possible to minimize the amount of refrigerant contained in them.
- Cylinders shall be kept upright.
- Ensure that the refrigeration system is earthed prior to charging the system with refrigerant.
- Label the system when charging is complete (if not already).
- Extreme care shall be taken not to overfill the refrigeration system.
- Prior to recharging the system it shall be pressure tested with OFN. The system shall be leak tested on completion of charging but prior to commissioning. A follow up leak test shall be carried out prior to leaving the site.

17. Decommissioning

Before carrying out this procedure, it is essential that the technician is completely familiar with the equipment and all its detail. It is recommended good practice that all refrigerants are recovered safely. Prior to the task being carried out, an oil and refrigerant sample shall be taken.

In case analysis is required prior to re-use of reclaimed refrigerant. It is essential that electrical power is available before the task is commenced.

- a) Become familiar with the equipment and its operation.
- b) Isolate system electrically
- c) Before attempting the procedure ensure that:
 - mechanical handling equipment is available, if required, for handling refrigerant cylinders;
 - all personal protective equipment is available and being used correctly;
 - the recovery process is supervised at all times by a competent person;
 - recovery equipment and cylinders conform to the appropriate standards.
- d) Pump down refrigerant system, if possible.
- e) If a vacuum is not possible, make a manifold so that refrigerant can be removed from various parts of the system.
- f) Make sure that cylinder is situated on the scales before recovery takes place.
- g) Start the recovery machine and operate in accordance with manufacturer's instructions.
- h) Do not overfill cylinders. (No more than 80% volume liquid charge).
- i) Do not exceed the maximum working pressure of the cylinder, even temporarily.
- j) When the cylinders have been filled correctly and the process completed, make sure that the cylinders and the equipment are removed from site promptly and all isolation valves on the equipment are closed off.
- k) Recovered refrigerant shall not be charged into another refrigeration system unless it has been cleaned and checked.

18. Labelling

Equipment shall be labelled stating that it has been de-commissioned and emptied of refrigerant. The label shall be dated and signed. Ensure that there are labels on the equipment stating the equipment contains flammable refrigerant.

19. Recovery

- When removing refrigerant from a system, either for service or decommissioning, it is recommended good practice that all refrigerants are removed safely.
- When transferring refrigerant into cylinders, ensure that only appropriate refrigerant recovery cylinders are employed. Ensure that the correct numbers of cylinders for holding the total system charge are available. All cylinders to be used are designated for the recovered refrigerant and labelled for that refrigerant (i.e. special cylinders for the recovery of refrigerant). Cylinders shall be complete with pressure relief valve and associated shut-off valves in good working order.
- Empty recovery cylinders are evacuated and, if possible, cooled before recovery occurs.
- The recovery equipment shall be in good working order with a set of instructions concerning the equipment that is at hand and shall be suitable for the recovery of flammable refrigerants. In addition, a set of calibrated weighing scales shall be available
- and in good working order.
- Hoses shall be complete with leak-free disconnect couplings and in good condition. Before using the recovery machine, check that it is in satisfactory working order, has been properly maintained and that any associated electrical components are sealed to prevent ignition in the event of a refrigerant release. Consult manufacturer if in doubt.
- The recovered refrigerant shall be returned to the refrigerant supplier in the correct recovery cylinder, and the relevant Waste Transfer Note arranged. Do not mix refrigerants in recovery units and especially not in cylinders.
- If compressors or compressor oils are to be removed, ensure that they have been evacuated to an acceptable level to make certain that flammable refrigerant does not remain within the lubricant. The evacuation process shall be carried out prior to re-truning the compressor to the suppliers. Only electric heating to the compressor body shall be employed to accelerate this process. When oil is drained from a system, it shall be carried out safely.

20. Transportation, marking and storage for units

1. Transport of equipment containing flammable refrigerants
Compliance with the transport regulations
2. Marking of equipment using signs
Compliance with local regulations
3. Disposal of equipment using flammable refrigerants
Compliance with national regulations
4. Storage of equipment/appliances
The storage of equipment should be in accordance with the manufacturer's instructions.
5. Storage of packed (unsold) equipment
Storage package protection should be constructed such that mechanical damage to the equipment inside the package will not cause a leak of the refrigerant charge.
The maximum number of pieces of equipment permitted to be stored together will be determined by local regulations.

Airwell

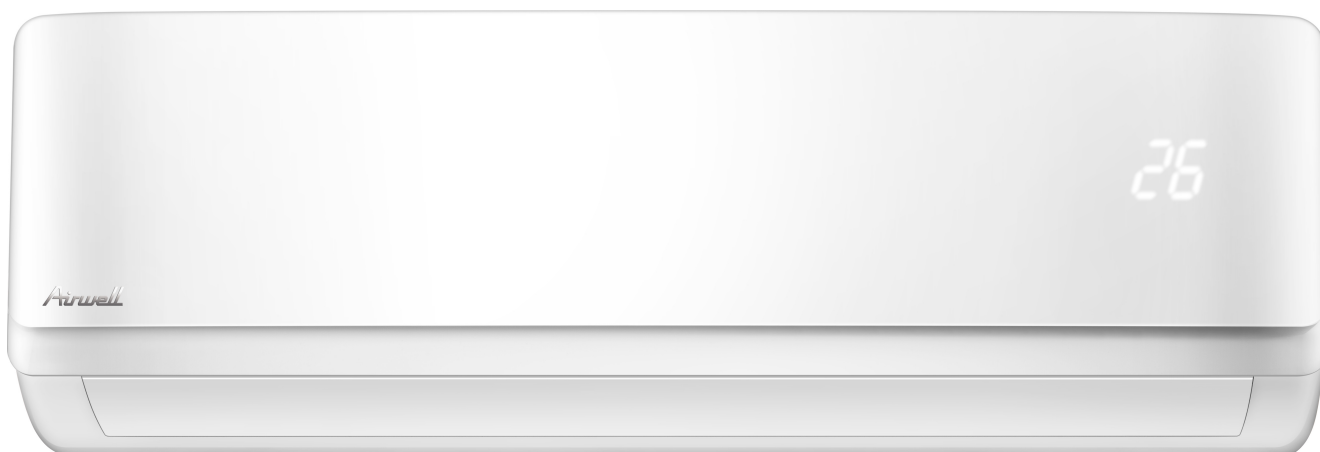
Just feel well

Installation Manual

HDH High Wall

R32

Manuel Français



IMPORTANT NOTE:

Read this manual carefully before installing or operating your new air conditioning unit. Make sure to save this manual for future reference.

SOMMAIRE

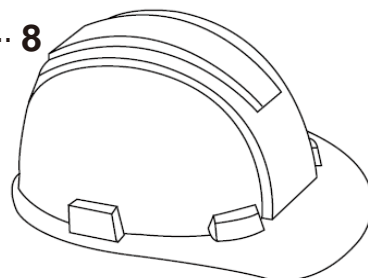
Manuel d'installation

0	Consignes de sécurité	4
----------	------------------------------------	----------

1	Pièces accessoires	6
----------	---------------------------------	----------

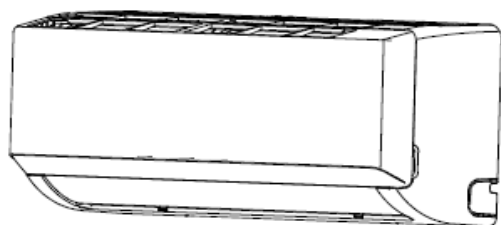
2	Détails de l'installation - unité intérieure...	8
----------	--	----------

3	Parties composantes de l'unité	10
----------	---	-----------



4 Installation de l'unité intérieure

11

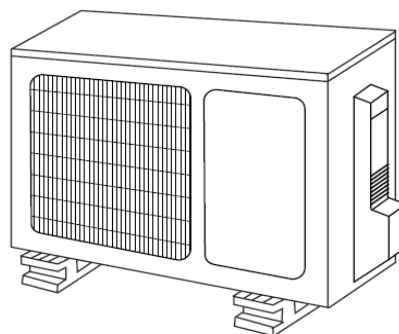


1. Choisir l'emplacement d'installation	11
2. Installer la plaque de fixation au mur	12
3. Percer le trou dans le mur pour la tuyauterie ..	12
4. Préparer le tuyau de refroidissement	14
5. Connecter le tuyau d'évacuation.....	15
6. Connecter le câble de connexion	17
7. Protéger la tuyauterie et les câbles	18
8. Connecter le câble d'alimentation intérieur.....	18
9. Monter l'unité intérieure	18

5 Installation de l'unité extérieure ..

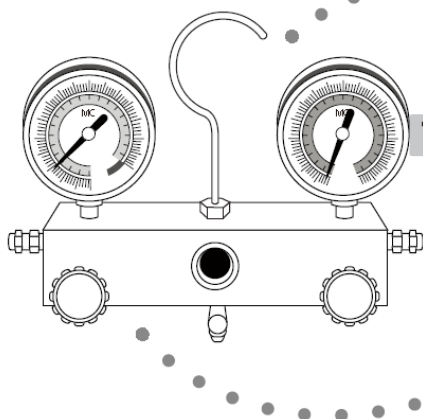
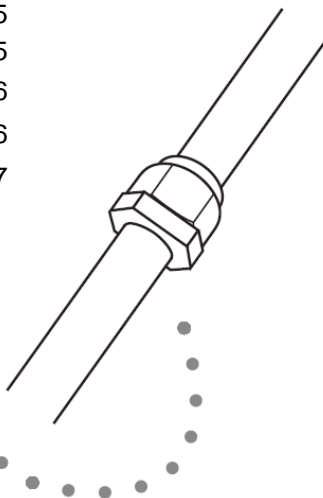
20

1. Choisir l'emplacement d'installation.....	20
2. Installer le joint d'évacuation	21
3. Fixer l'unité extérieure	22
4. Connecter les câbles de connexion et d'alimentation	23



6 Branchement du tuyau de réfrigérant 25

- A. Remarque sur la longueur du tuyau..... 25
- B. Instructions pour le branchement – tuyau de réfrigérant.. 25
 - 1. Couper le tuyau 25
 - 2. Ébavurer la coupe 26
 - 3. Évaser les extrémités 26
 - 4. Brancher les tuyaux 27



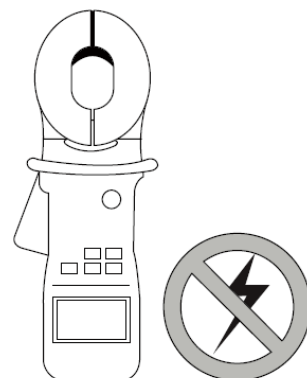
7 Évacuation de l'air..... 29

- 1. Instructions pour l'évacuation..... 29
- 2. Remarque sur l'ajout de réfrigérant 30

8 Contrôle des fuites de courant et de gaz..31

9 Essai de fonctionnement 32

10 Informations recyclage..... 34



Consignes de sécurité

Bien lire Les Consignes de Sécurité avant toute installation

Pour prévenir les accidents touchant l'utilisateur ou des tiers et les dommages matériels, les consignes suivantes doivent impérativement être respectées.

Un fonctionnement erroné imputable au non-respect de la notice pourra entraîner des incidents ou des détériorations. La gravité est classée en fonction des indications suivantes:



AVERTISSEMENT

Ce symbole indique qu'en cas de non respect des instructions il y a un risque de blessure grave.



PRUDENCE

Ce symbole indique qu'en cas de non respect des instructions il existe un risque de blessure plus ou moins grave pour l'utilisateur et les tiers ou un risque d'endommager votre matériel ou d'autres biens.



Ce symbole indique une action interdite. Vous ne devez pas réaliser les actions indiquées



AVERTISSEMENT

- ⊘ Ne pas modifier la longueur du cordon d'alimentation ou utiliser une rallonge pour alimenter l'appareil.
Ne pas partager la prise électrique avec d'autres appareils. Une alimentation électrique inadaptée ou insuffisante peut provoquer un incendie ou une décharge électrique.
- ⊘ Lors de la connexion de tuyauterie de réfrigérant, ne pas laisser de substances ou de gaz autres que le réfrigérant spécifié dans l'appareil. La présence d'autres gaz ou des substances réduira la capacité de l'unité, et peut provoquer une pression anormalement élevée dans le cycle de réfrigération. Cela peut provoquer une explosion et des blessures.
- ⊘ Ne laissez pas les enfants jouer avec le climatiseur. A proximité de l'appareil, les enfants doivent être surveillés en permanence.
- 1. L'installation doit être effectuée par un concessionnaire ou un spécialiste agréé. Une installation défectueuse peut entraîner une fuite d'eau, une décharge électrique ou un incendie.
- 2. L'installation doit être effectuée selon les instructions d'installation. Une mauvaise installation peut entraîner une fuite d'eau, une décharge électrique ou un incendie. (En Amérique du Nord, l'installation doit être effectuée conformément aux normes NEC et CCE uniquement par du personnel agréé.)
- 3. Contacter un technicien agréé pour la réparation ou l'entretien de cet appareil.
- 4. Utiliser uniquement les accessoires inclus et les pièces spécifiées pour l'installation. L'utilisation de pièce non standard peut entraîner des fuites d'eau, des décharges électriques, des incendies et peut causer une panne.
- 5. Installer l'appareil dans un endroit solide qui peut supporter le poids de celui-ci. Si l'emplacement choisi ne peut pas supporter le poids de l'unité ou si l'installation ne se fait pas correctement, l'appareil risque de tomber et de causer des blessures graves et des dommages.



AVERTISSEMENT

6. Pour tous les travaux d'électricité, se conformer aux normes locales et nationales de câblage, aux règlements et au manuel d'installation. Vous devez utiliser un circuit indépendant et une sortie unique pour l'alimenter. Ne pas connecter d'autres appareils sur la même prise. Une source de courant de puissance insuffisante ou une installation électrique inappropriée peut provoquer une décharge électrique ou un incendie.
7. Pour tous les travaux électriques, utiliser les câbles préconisés. Les brancher étroitement et les serrer solidement pour empêcher toute action extérieure d'endommager l'extrémité. Les connexions électriques incorrectes peuvent entraîner une surchauffe et un incendie et peuvent également provoquer une décharge électrique.
8. Tout le câblage doit être posé convenablement pour assurer la fermeture correcte du capot du panneau de commande. Si le capot du panneau de commande n'est pas fermé correctement, cela peut entraîner de la corrosion, une surchauffe des connexions du terminal, déclencher un feu ou provoquer une décharge électrique.
9. Dans des environnements fonctionnels particuliers, tels que les cuisines, les salles de serveurs informatiques, etc., l'utilisation des climatiseurs spécialement conçus à cet effet est fortement recommandée.



PRÉCAUTION

- ⊘ Pour les unités qui intègrent un chauffage électrique auxiliaire, **ne pas** l'installer à moins d'un mètre de toute matière combustible.
 - ⊘ **Ne pas** installer l'appareil dans un endroit qui pourrait être exposé à des fuites de gaz inflammable. Si le gaz inflammable s'accumule autour de l'unité, il pourrait provoquer un incendie.
 - ⊘ **Ne pas** faire fonctionner le climatiseur dans une pièce humide telle qu'une salle de bains ou une buanderie. Une exposition trop importante à de l'eau peut provoquer un court-circuit.
1. Le produit doit être correctement relié à la terre au moment de l'installation sous peine de provoquer une électrocution.
 2. Installer la tuyauterie d'évacuation selon les instructions de ce manuel. Une mauvaise évacuation peut provoquer un dégât des eaux à votre maison et à vos biens.

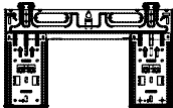


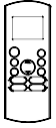




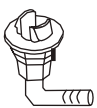
Remarque sur les gaz fluorés



1. Ce climatiseur contient des gaz fluorés. Pour toute information spécifique sur le type et la quantité de gaz, référez-vous à l'étiquette correspondante de l'appareil lui-même.
2. L'installation, l'entretien, la maintenance et la réparation de cet appareil doivent être effectuées par un technicien agréé.
3. La désinstallation du produit et son recyclage doivent être effectués par un technicien agréé.
4. Si l'appareil possède un système de détection de fuites intégré, il doit subir un contrôle de fuites au moins une fois par an.
5. Lorsque l'appareil est contrôlé pour les fuites, une bonne tenue du registre des vérifications qui ont été effectuées est fortement recommandée.

Pièces accessoires

1

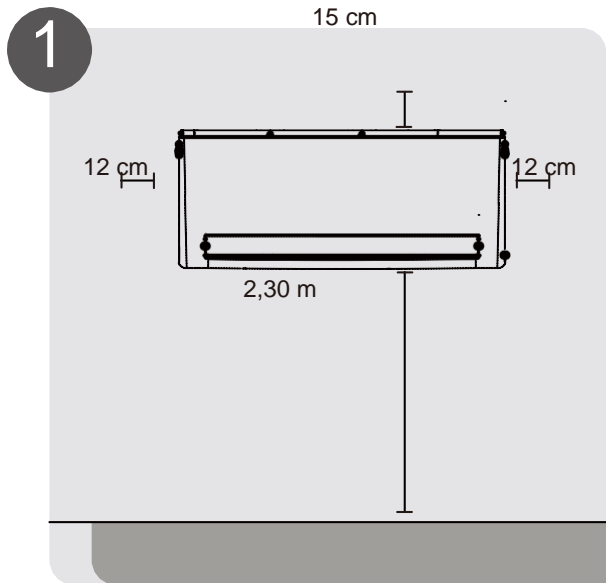
Le système de climatisation est livré avec les accessoires indiqués ci-dessous. Utilisez toutes ces pièces pour installer le climatiseur. Une mauvaise installation peut entraîner des fuites d'eau, une décharge électrique, un incendie ou provoquer une panne.

Nom	Forme	Quantité	
Plaque de fixation		1	
Cheville		5	
Vis pour plaque de fixation ST3.9 X 25		5	
Télécommande		1	
Vis pour support de télécommande ST2.9 x 10		2	Pièces en option
Support de télécommande		1	
Pile AAA (LR03)		2	
Joint		1 (uniquement pour les modèles réversibles refroidissement / chauffage)	
Raccord d'évacuation			

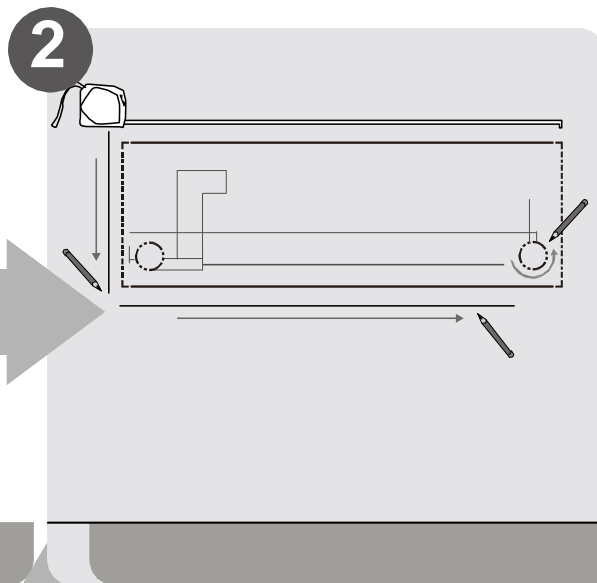
Nom	Forme	Quantité							
Télécommande Manuel d'utilisateur		1							
Manuel d'installation		1							
Montage des tuyaux de raccordement	<table border="1"> <tr> <td data-bbox="510 639 677 745" rowspan="2">Côté liquide</td> <td data-bbox="677 639 916 693"><D6,35 mm</td> </tr> <tr> <td data-bbox="677 693 916 745"><D9,52 mm</td> </tr> <tr> <td data-bbox="510 745 677 871" rowspan="3">Côté gaz</td> <td data-bbox="677 745 916 794"><D9,52 mm</td> </tr> <tr> <td data-bbox="677 794 916 842">cD12,7 mm</td> </tr> <tr> <td data-bbox="677 842 916 871"><116 mm</td> </tr> </table>	Côté liquide	<D6,35 mm	<D9,52 mm	Côté gaz	<D9,52 mm	cD12,7 mm	<116 mm	Pièces que vous devez vous procurer vous-même car non fourni. Pour la taille des tuyaux, consultez votre revendeur.
Côté liquide	<D6,35 mm								
	<D9,52 mm								
Côté gaz	<D9,52 mm								
	cD12,7 mm								
	<116 mm								

Résumé de l'installation – Unité Interieure

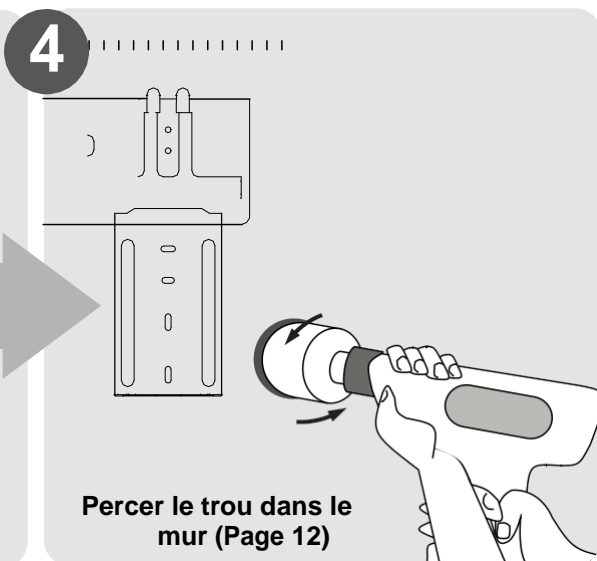
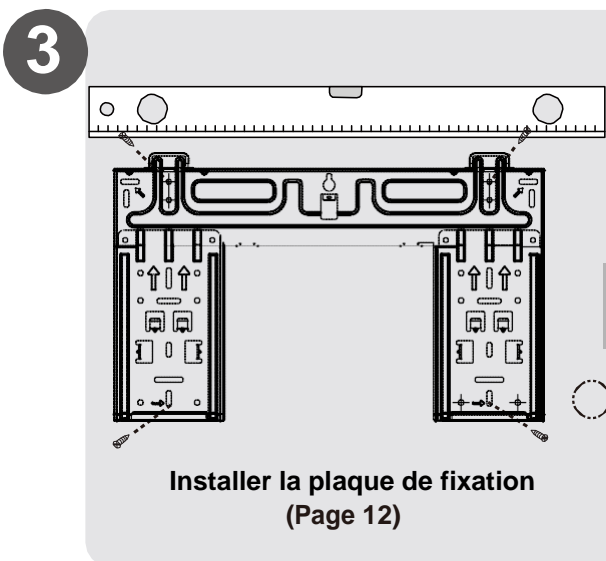
2

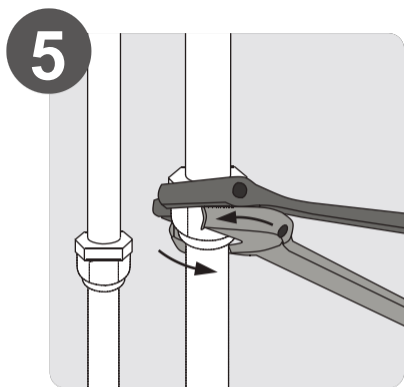


Choisir l'emplacement d'installation
(Page 11)

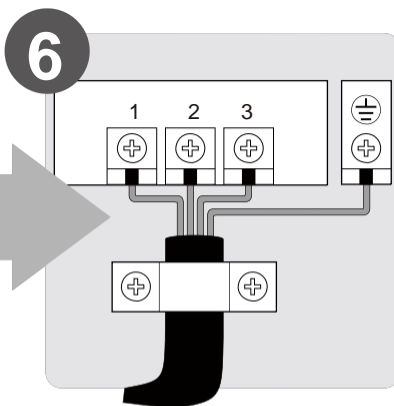


Déterminer l'emplacement du trou dans le mur
(Page 12)

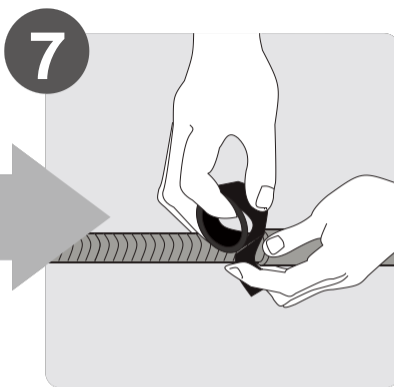




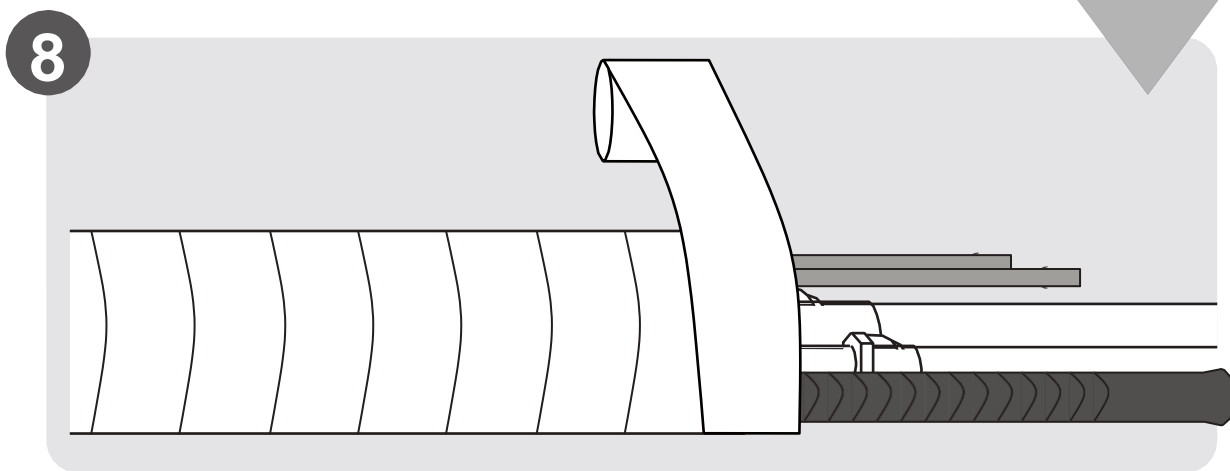
5
Raccorder les tuyaux
(Page 25)



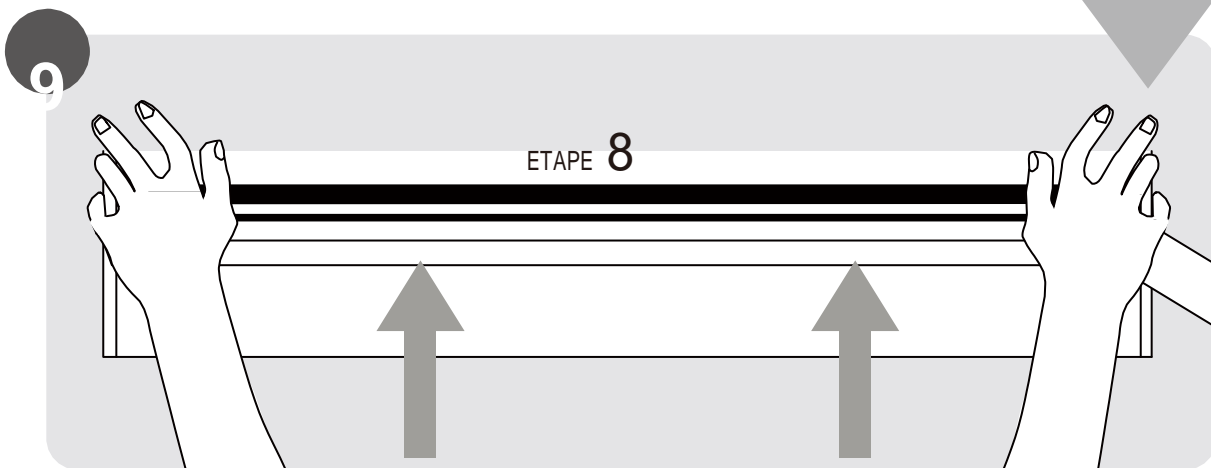
6
Connecter les câbles
(Page 17)



7
Préparer le tuyau
d'évacuation
(Page 14)



8
Protéger la tuyauterie et
le câble
(Page 18)



9
Effectuer le montage de l'unité intérieure
(Page 18)

Parties composantes de l'unité

3

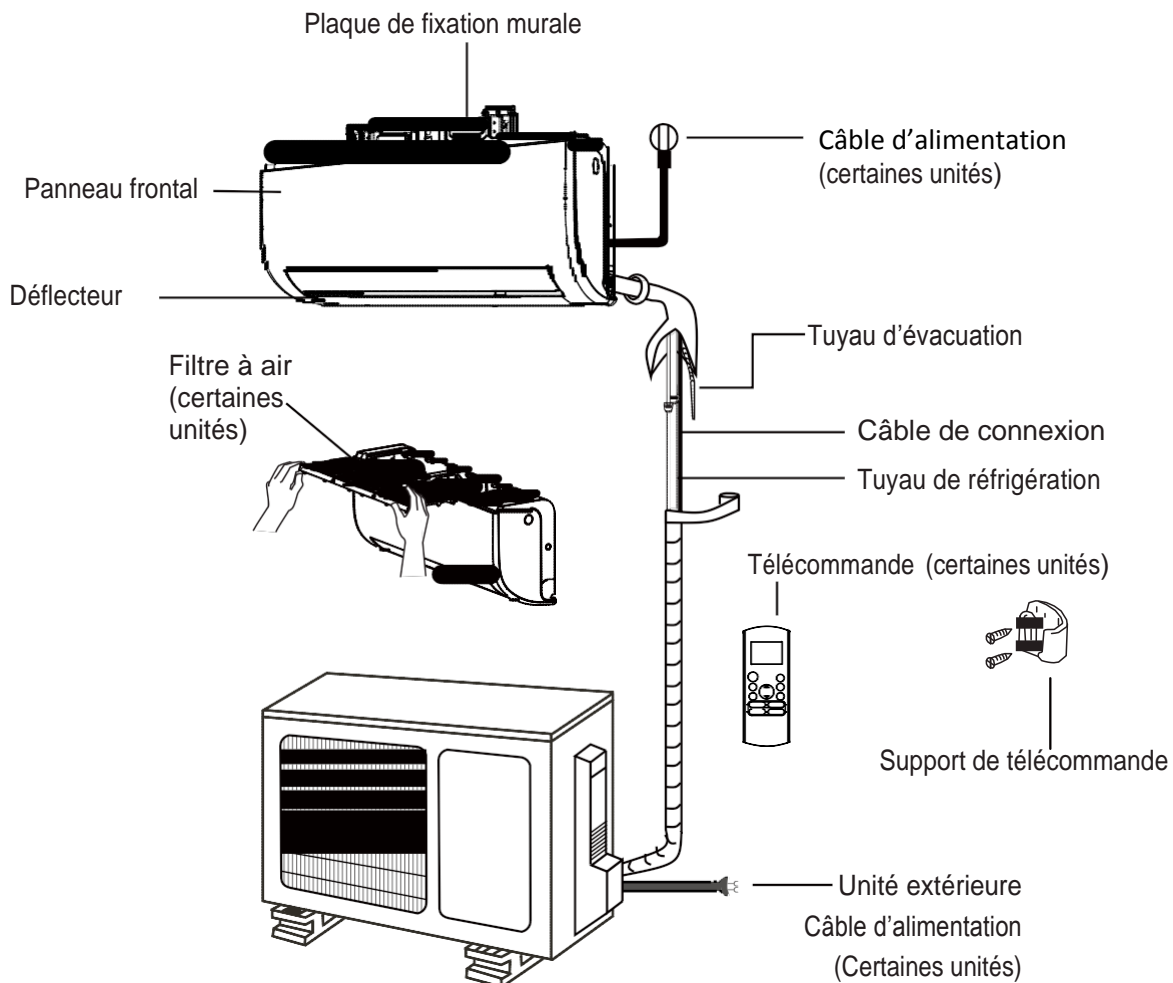
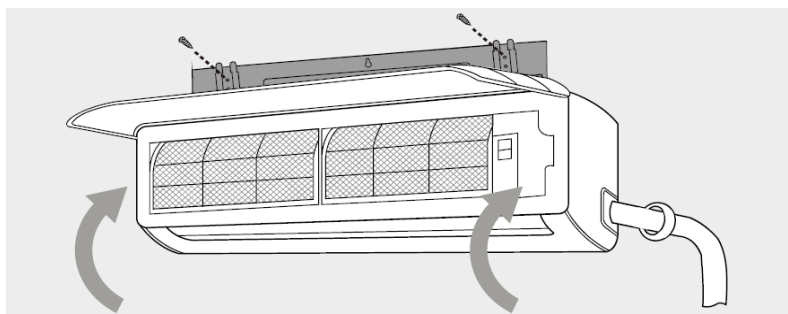


Fig.2.1


REMARQUES SUR LES ILLUSTRATIONS

Les illustrations de ce manuel sont à but explicatif. La forme réelle de votre unité intérieure peut être légèrement différente. C'est la forme réelle qui prévaudra.



Instructions d'installation – Unité intérieure

AVANT L'INSTALLATION

- ⊘ Avant d'installer l'unité intérieure, reportez-vous à l'étiquette sur l'emballage du produit pour vous assurer que le numéro  modèle de l'unité intérieure correspond au numéro de modèle de l'unité extérieure.

Etape 1 : Choix de l'emplacement d'installation

⊘ Avant d'installer l'unité intérieure, vous devez choisir un emplacement approprié. Voici les normes qui vous aideront à choisir un emplacement approprié pour l'appareil.

Les emplacements d'installations appropriées doivent être conformes aux normes suivantes :

- Bonne circulation de l'air
- Évacuation correcte de la condensation
- Le bruit de l'unité ne devra pas déranger les autres personnes
- Ferme et solide - l'emplacement ne devra pas vibrer
- Suffisamment solide pour supporter le poids de l'appareil
- Un emplacement à au moins un mètre de tous les autres appareils électriques (par exemple, TV, radio, ordinateur)

NE PAS installer l'unité dans les endroits suivants :

- ⊘ Près d'une source de chaleur, de vapeur ou de gaz combustible
- ⊘ Près d'éléments inflammables tels que des rideaux ou des vêtements
- ⊘ Près d'un obstacle qui pourrait bloquer la circulation de l'air
- ⊘ Près de la porte
- ⊘ Dans un endroit soumis aux rayons du soleil

REMARQUE A PROPOS DU TROU DANS LE MUR :

S'il n'y a pas de tuyauterie de réfrigérant fixe: Pour le choix d'un emplacement, sachez que vous devez laisser suffisamment de place pour un trou dans le mur (voir l'étape **Percer le trou dans le mur pour raccorder la tuyauterie**) pour le câble de signal et de la tuyauterie de réfrigérant qui relie les unités intérieures et extérieures. La position par défaut pour tous les tuyaux est le côté droit de l'unité intérieure (tout en faisant face à l'unité). Cependant, l'unité peut accueillir la tuyauterie à la fois à gauche et à droite.

Reportez-vous au schéma suivant pour assurer la bonne distance des murs et plafond:

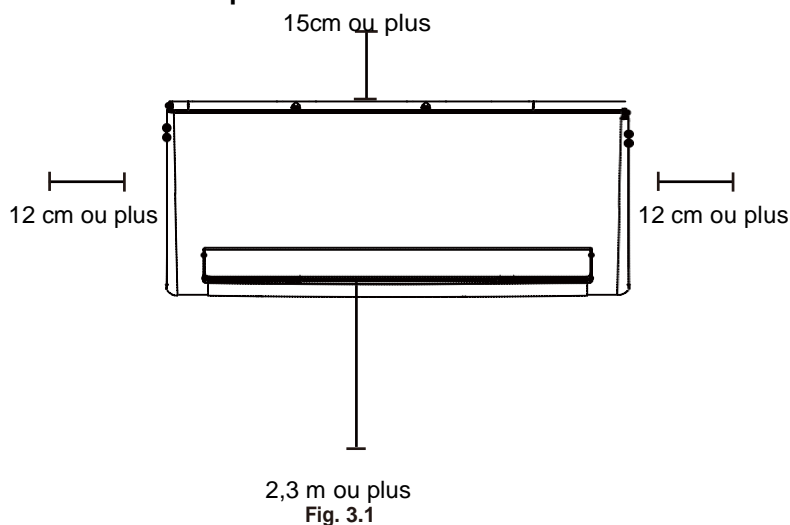


Fig. 3.1

Étape 2: Fixez la plaque de montage au mur

La plaque de montage est le dispositif sur lequel vous allez monter l'unité intérieure.

1. Retirez la vis qui fixe la plaque de montage à l'arrière de l'unité intérieure.
2. Placez la plaque de montage contre le mur dans un endroit qui répond aux normes « **Étape 1 : Choix de l'emplacement d'installation** ». (Pour des informations détaillées voir sur le schéma de montage les dimensions des plaques.)
3. Percer des trous pour les vis de montage dans des endroits qui:
 - possèdent des goujons et sont capables de supporter le poids de l'appareil
 - correspondent à des trous de vis dans la plaque de montage
4. Fixer la plaque de montage au mur avec les vis fournies.
5. S'assurez que la plaque de montage est plaquée contre le mur.

REMARQUE A PROPOS DES MURS EN BÉTON OU EN BRIQUE

Si le mur est en briques, en béton, ou dans un matériau similaire, percer des trous de 5 mm de diamètre dans le mur et insérer les chevilles fournies. Fixer ensuite la plaque de montage au mur en serrant les vis directement dans les chevilles.

Étape 3 : Percer le trou dans le mur pour raccorder la tuyauterie

Vous devez percer un trou dans le mur pour les tuyaux de réfrigérant, d'évacuation, et le câble signal de qui permettra de relier les unités intérieures et extérieures.

1. Déterminer l'emplacement du trou de la paroi sur la base de la position de la plaque de montage. Reportez-vous aux dimensions de la plaque de montage de la page suivante pour vous aider à déterminer la position optimale. Le trou dans le mur doit avoir un diamètre de 65 mm au moins et à un angle légèrement inférieur pour faciliter le drainage.
2. En utilisant une mèche de 65 mm, percer un trou dans le mur. S'assurer que le trou est percé avec un léger angle penché vers le bas pour que la partie externe du trou soit inférieure à la partie interne d'environ 5 mm à 7 mm. Cela permettra d'assurer une évacuation adaptée. (Voir Fig. 4.2)
3. Placer la coiffe de protection de la paroi dans le trou. Cela protège les bords du trou et aidera à sceller lorsque vous avez terminé le processus d'installation.

! ATTENTION

Lors du forage du trou dans le mur, s'assurer d'éviter les fils, la plomberie, et autres composants sensibles.

Mur

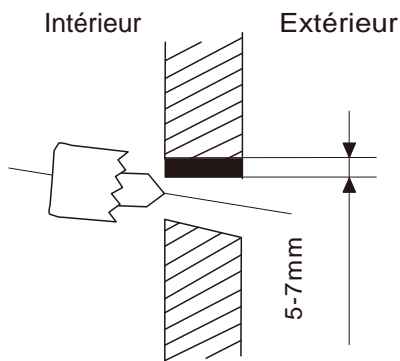
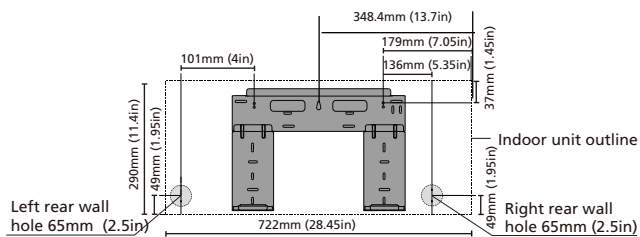


Fig. 3.2

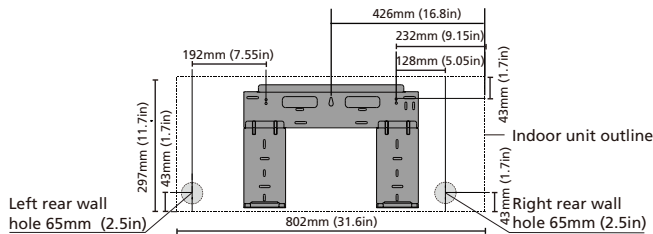
Dimensions de la plaque de montage

Les différents modèles n'ont pas les mêmes plaques de montage. Afin de vous assurer que vous avez suffisamment d'espace pour monter l'unité intérieure, les schémas à droite vous montrent les différents types de plaques de montage ainsi que les dimensions suivantes :

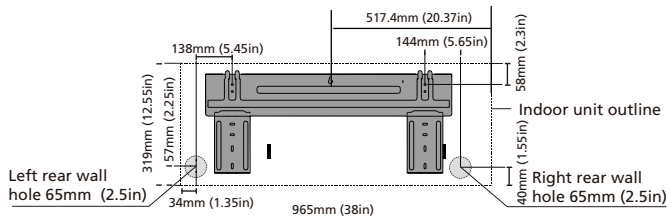
- Largeur de la plaque de montage
- Hauteur de la plaque de montage
- Largeur de l'unité intérieure par rapport à la plaque
- Hauteur de l'unité intérieure par rapport à la plaque
- Position recommandée du trou dans le mur (à la fois à gauche et à droite de la plaque de montage)
- Distances entre les trous de vis



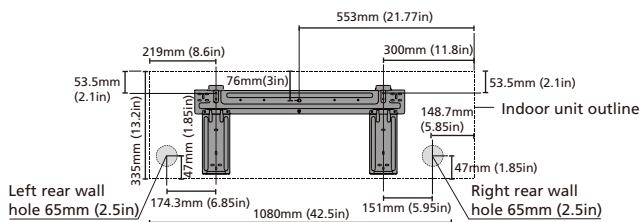
Model 9



Model 12

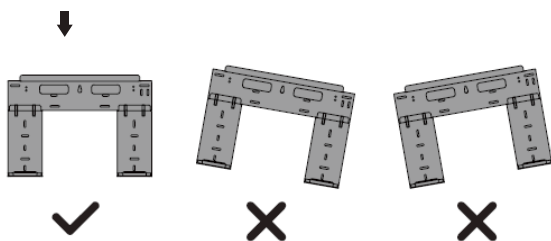


Model 18



Model 24

Positionnement correct de la plaque de montage



Étape 4: Préparer la tuyauterie de réfrigérant

La tuyauterie de réfrigérant est à l'intérieur d'un manchon isolant fixé à l'arrière de l'appareil. Vous devez préparer la tuyauterie avant de la passer à travers le trou dans le mur. Reportez-vous à la section **Branchement du tuyau de réfrigérant** de ce manuel pour obtenir des instructions détaillées sur le tuyau dilaté et les exigences des couples, la technique...

1. Sur la base de la position du trou par rapport à la plaque de montage au mur, choisir le côté de la tuyauterie qui permet de quitter l'unité.

2. Si le trou de la paroi est derrière l'appareil, maintenir le panneau d'estampage en place. Si le trou du mur se trouve à côté de l'unité intérieure, enlever le panneau d'estampage en plastique de ce côté de l'unité. (Voir Fig. 3.3). Cela va créer une fente à travers votre tuyauterie qui vous permettra de retirer l'unité. Utilisez une pince à bec si le panneau en plastique est trop difficile à enlever à la main.

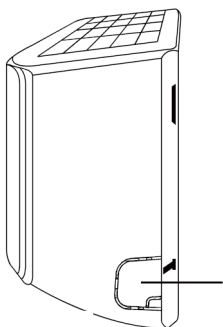


Fig 3.3

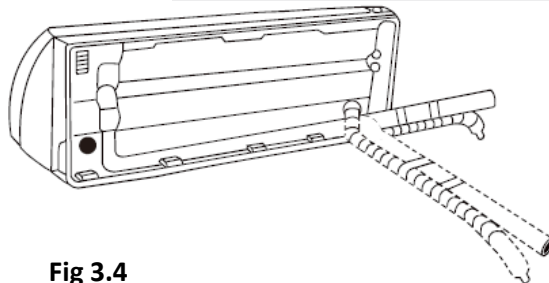
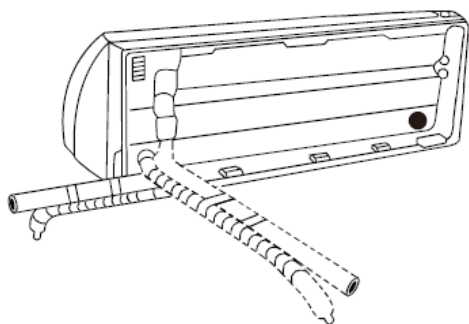


Fig 3.4

3. Utilisez des ciseaux pour couper la longueur de la gaine isolante sur environ 15cm de la tuyauterie de réfrigérant. Cela servira à:

- Pour faciliter le processus de connexion du tuyau de réfrigérant

- Pour faciliter le contrôle des fuites de gaz et vous permettre de vérifier les bosses.

4. Si la tuyauterie conjonctif existant est intégré dans le mur, procéder directement à l'étape de connexion du tuyau de drainage.

Si il n'y a pas tuyauteries encastrées, brancher les canalisations de l'unité de fluide frigorigène à l'intérieur de la tuyauterie qui se joindra à l'unité intérieure et l'unité extérieure. Reportez-vous à la section Connexion du tuyaux de réfrigérant du manuel pour des instructions détaillées.

5. Basé sur la position du trou par rapport à la plaque de montage mural, déterminer l'angle nécessaire à votre tuyauterie.

6. Pendre le tuyau de réfrigérant à la base du pli.

7. Plier la tuyauterie plier vers le trou doucement avec pression. Ne pas érafler ou endommager la tuyauterie pendant le processus.

REMARQUE sur l'angle de la tuyauterie

La tuyauterie de réfrigérant peut s'évacuer de l'unité intérieure sous quatre angles différents:

- Côté gauche
- Arrière gauche
- Côté droit
- Arrière droit

Pour plus de détails, se reporter à la **Fig.3.4**



ATTENTION

Être extrêmement prudent de ne pas cabosser ou endommager la tuyauterie lors de sa mise en place avec l'unité. Tous les dommages dans la tuyauterie affecteront les performances de l'unité.

Etape 5: Connectez le tuyau d'évacuation

Par défaut, le tuyau de vidange est fixé sur le côté gauche de l'unité (lorsque vous êtes face à l'arrière de l'unité). Cependant, il peut aussi être fixé sur le côté droit.

1. Pour assurer une bonne évacuation, fixer le tuyau de vidange du même côté que la tuyauterie de réfrigération.
2. Fixez la rallonge du tuyau d'évacuation (vendu séparément) à l'extrémité de ce dernier.
3. Enroulez fermement le branchement avec du ruban isolant pour assurer une bonne étanchéité et pour éviter les fuites.
4. Pour éviter la condensation, envelopper avec la mousse isolante des tuyaux la partie du tuyau d'évacuation qui reste à l'intérieur.
5. Enlever le filtre à air et verser une petite quantité d'eau dans le bac de vidange et s'assurer que l'eau s'écoule en douceur de l'unité



REMARQUE SUR LA POSITION DU TUYAU D'ÉVACUATION

S'assurer de positionner le tuyau d'évacuation conformément à la Fig. 3.5.

- ⊘ NE PAS plier le tuyau d'évacuation.
- ⊘ NE PAS créer de points de rétention d'eau.
- ⊘ NE PAS mettre l'extrémité du tuyau d'évacuation dans l'eau ou dans un récipient qui pourrait en accumuler.

BRANCHER LE TROU D'ÉVACUATION INUTILISÉ

Pour éviter les fuites indésirables, vous devez brancher le trou de vidange inutilisé avec le bouchon en caoutchouc fourni.

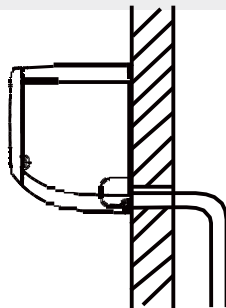


Fig. 3.5

CORRECT

S'assurer qu'il n'y a pas de plis ou de renflement dans le tuyau de vidange pour garantir une bonne évacu



INCORRECT

Des pliures dans le tuyau d'évacuation va faire que l'eau s'évacuera mal

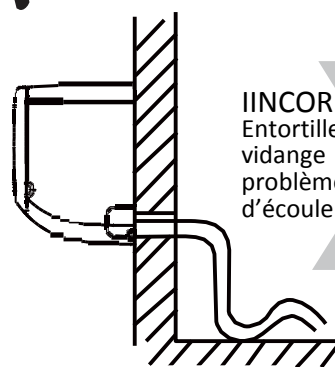
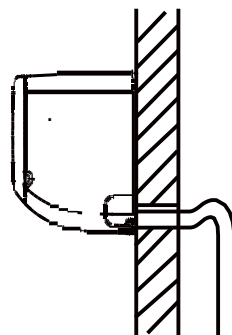


Fig 3.7

INCORRECTE

Entortiller le tuyau de vidange va poser des problèmes d'écoulement

INCORRECT

Ne pas placer l'extrémité du tuyau d'évacuation dans l'eau ou dans des récipients qui recueillent l'eau. Cela empêcherait une bonne évacuation.

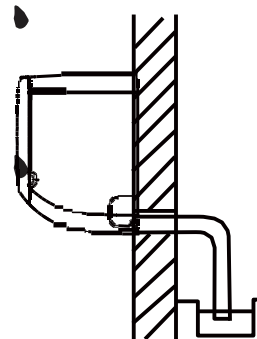


Fig 3.8

! AVANT D'EFFECTUER DES TRAVAUX D'ÉLECTRICITÉ, LIRE CES CONSIGNES

1. Tout le câblage doit être conforme aux normes électriques locales et nationales, et doit être installé par un électricien agréé.
2. Toutes les connexions électriques doivent être effectuées selon le schéma de connexion électrique situé sur les panneaux des unités intérieures et extérieures.
3. En cas de grave problème de sécurité avec l'alimentation électrique, arrêter le travail immédiatement. En expliquer la raison au client et refuser d'installer l'unité jusqu'à ce que le problème de sécurité soit totalement réglé.
4. La tension d'alimentation doit être comprise entre 90 et 100% de la tension nominale. Une alimentation insuffisante peut provoquer un dysfonctionnement, une décharge électrique ou un incendie.
5. En cas de raccordement de l'alimentation à un câblage fixe, installer un limiteur de surtension et un interrupteur principal d'alimentation d'une capacité de 1,5 fois le courant maximum de l'unité.
6. En cas de raccordement de l'alimentation à un câblage fixe, un coupe-circuit ou un disjoncteur qui déconnecte tous les pôles et a une séparation de contact d'au moins 3 mm doit être intégrée dans le câblage fixe. Le technicien doit utiliser un disjoncteur agréé.
7. Brancher l'appareil uniquement à une prise individuelle du circuit de dérivation. Ne pas connecter un autre appareil à cette prise.
8. S'assurer de la mise à la terre du climatiseur.
9. Chaque fil doit être fermement connecté. Un câblage desserré peut causer une surchauffe de la borne et entraîner un dysfonctionnement du produit voir déclencher un incendie.
10. Ne pas laisser les fils toucher ou reposer sur la tuyauterie du réfrigérant, le compresseur, ou toute pièce mobile de l'unité.
11. Si l'unité a un chauffage électrique auxiliaire, il doit être installé à au moins un mètre de matériaux combustibles.

Autres zones

Etape 6: Brancher le câble de connexion

Le câble de connexion permet la liaison entre les unités intérieures et extérieures. Tout d'abord, choisir la bonne taille de câble avant de le préparer pour la connexion.

Types de câble

- **Câble d'alimentation extérieur** : H07RN-F ou R2V
- **Câble de connexion** : H07RN-F ou R2V

Diamètre minimum des câbles d'alimentation et de connexion

Zone Amérique du Nord

Intensité du courant de l'appareil en amp (A)	Norme « American Wire Gauge » (AWG)
10	18
13	16
18	14
25	12
30	10

Courant nominal de l'appareil (A)	Section nominale du câble (mm²)
> 3 et ≤ 6	0.75
> 6 et ≤ 10	1
> 10 et ≤ 16	1.5
> 16 et ≤ 20	2.5
> 20 et ≤ 32	4
> 32 et ≤ 40	6

CHOISIR LA BONNE SECTION DE CÂBLE

La section du câble d'alimentation, du câble de connexion, le fusible et le disjoncteur nécessaires sont déterminés par le courant de service maximum de l'unité. Ce dernier est indiqué sur la plaque située sur le panneau latéral de l'unité. Reportez-vous à cette plaque signalétique pour choisir le bon câble, le fusible ou le disjoncteur.



AVERTISSEMENT

AVANT TOUTE INTERVENTION ÉLECTRIQUE OU CÂBLAGE, COUPER L'ALIMENTATION PRINCIPALE DU SYSTÈME.

PRENDRE NOTE DES SPÉCIFICATIONS DU FUSIBLE

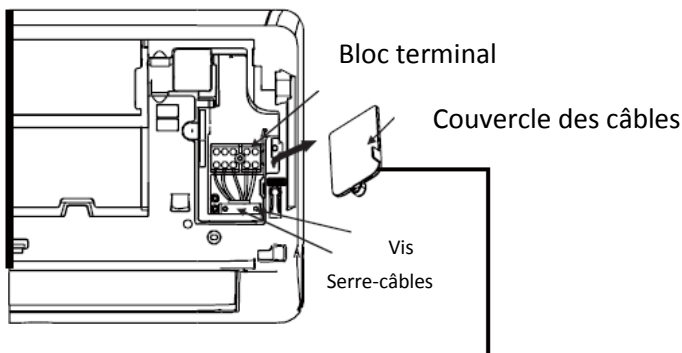
La carte mère du climatiseur est prévue avec un fusible qui protège contre les surtensions. Les spécifications du fusible sont imprimées sur la carte. Ex. : T3.15A / 250VAC, T5A / 250VAC, etc...

1. Préparer le câble à connecter:
 - a. Utiliser une pince à dénuder et dénuder la gaine aux deux extrémités du câble de connexion pour laisser apparaître environ 15cm de fils intérieurs.
 - b. D é n u d e r les extrémités des fils.
 - c. U t i l i s e r une pince et sertir les cosses (pour fils souple) en U sur les extrémités des fils. Sur du câble rigide, s'il y a un seul fil faire un oeillet.

PRENDRE GARDE AUX FILS SOUS TENSION

Lors du sertissage des fils, s'assurer de distinguer clairement le fil de phase (L) des autres fils.

2. Ouvrir le panneau avant de l'unité intérieure en dévissant selon le schéma Fig.4.7. Cela donne plus de place pour connecter les câbles.
3. Ouvrir le couvercle de la boîte pour connecter le câble.



Le schéma de câblage se trouve sous le capot cache-câble de l'unité intérieure



AVERTISSEMENT

TOUT LE CÂBLAGE DOIT ÊTRE FAIT EN TOTALE CONFORMITÉ AVEC LE SCHÉMA DE CÂBLAGE QUI SE TROUVE DANS L'UNITÉ INTÉRIEURE.

4. Dévisser le collier de serrage sous le bornier et le placer sur le côté.
5. A l'arrière de l'unité, retirer le panneau en plastique en bas à gauche.

- Passer le câble de connexion à travers cette fente, de l'arrière de l'unité vers l'avant.
- Face à l'avant de l'appareil, faire correspondre les couleurs des fils avec les étiquettes sur le bornier et brancher les cosses en U. Visser fermement chaque fil à la borne correspondante.



ATTENTION

NE PAS MÉLANGER DES FILS ALIMENTÉS ET NON-ALIMENTÉS

C'est dangereux et pourrait entraîner des dysfonctionnements du climatiseur.

- Après avoir vérifié que chaque connexion est sécurisée, utiliser le serre-câble pour fixer le câble de connexion à l'unité. Bien visser le serre-câble.
- Replacer le couvercle métallique à l'avant de l'appareil et le panneau de plastique à l'arrière.



REMARQUE SUR LE CÂBLAGE

LE PROCESSUS DE CONNEXION DES CÂBLES EST SUSCEPTIBLE DE VARIER LÉGÈREMENT D'UNE UNITÉ À L'AUTRE.

ETAPE 7: Protéger la tuyauterie et les câbles

Avant de passer la tuyauterie, le tuyau d'évacuation et le câble de connexion à travers le trou dans le mur, les grouper ensemble pour économiser de l'espace, les protéger et les isoler.

- Regroupez les tuyaux de vidange et de réfrigérant et le câble de connexion conformément à la **Fig. 3.12**.

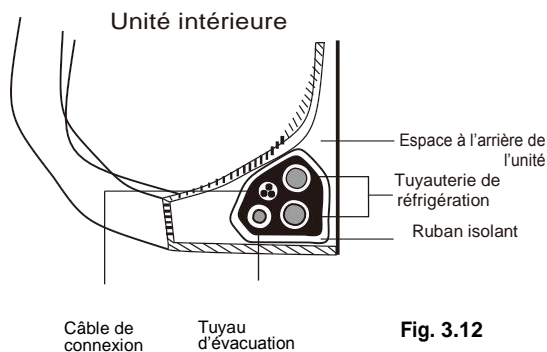


Fig. 3.12

LE TUYAU D'ÉVACUATION DOIT ÊTRE AU FOND

S'assurez que le tuyau d'évacuation se trouve au bas du faisceau. Le mettre en haut du faisceau pourrait faire déborder le bac de vidange et ainsi provoquer un incendie ou un dégât des eaux.

NE PAS ENTRELACER LE CÂBLE DE CONNEXION AVEC LES AUTRES

Lors de l'enveloppement de ces éléments ensemble, ne pas entrelacer ou croiser le câble de connexion avec un autre câblage.

- Avec du ruban adhésif vinyle, fixer le tuyau d'évacuation sur la face inférieure des tuyaux de réfrigérant.
- Avec du ruban isolant, enrouler étroitement ensemble le câble de connexion, les tuyaux de réfrigérant et le tuyau d'évacuation. Vérifier doublement que tous les éléments sont groupés conformément à la Fig. 3,12.

NE PAS ENVELOPPER LES EXTREMITÉS DE LA TUYAUTERIE

Au moment d'envelopper l'ensemble, garder libre les extrémités de la tuyauterie. Il faut pouvoir y accéder pour tester les fuites à la fin de la procédure d'installation (voir le paragraphe **Contrôle des fuites de courant et de gaz** de ce manuel).

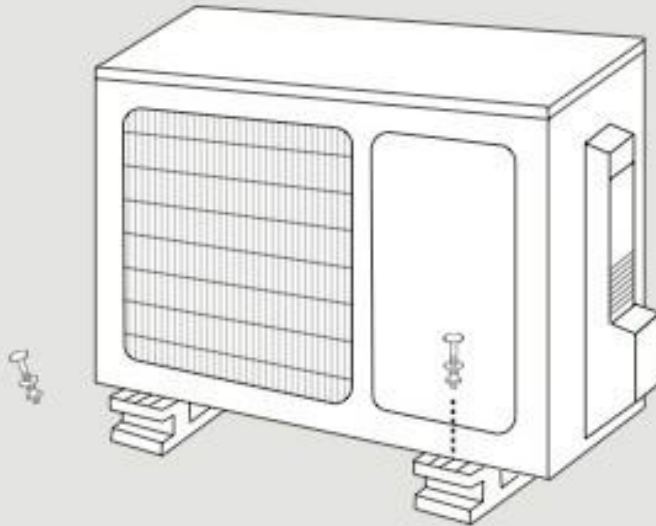
ETAPE 8: Monter l'unité intérieure

Si vous avez installé une nouvelle tuyauterie de liaison à l'unité extérieure, procéder comme suit :

- Si vous avez déjà passé la tuyauterie de réfrigérant à travers le trou dans le mur, passer à l'Étape 4.
- Sinon, vérifier que les extrémités des tuyaux de réfrigérant sont fermées hermétiquement pour empêcher des impureté ou des corps étrangers de pénétrer dans les tuyaux.
- Passer lentement l'ensemble enveloppé composé des tuyaux de réfrigérant, du tuyau d'évacuation et du câble de connexion à travers le trou dans le mur.
- Accrocher la partie supérieure de l'unité intérieure sur le crochet supérieur de la plaque de montage.
- Vérifier que l'unité est fermement accrochée sur la plaque en appliquant une légère pression vers la gauche et la droite de l'unité. L'unité ne doit pas être mobile et se balancer ou bouger.
- En faisant pression si nécessaire, pousser vers le bas sur la moitié inférieure de l'appareil. Continuer de pousser jusqu'à ce que l'appareil se mette sur les crochets au bas de la plaque de montage.
- Vérifier encore que l'appareil est solidement monté en appliquant une légère pression sur les côtés droits et gauches de l'unité.

Installation de l'unité extérieure

5



Instructions d'installation – Unité extérieure

Etape 1: Choisir l'emplacement d'installation
Avant d'installer l'unité extérieure, choisir un emplacement approprié. Les indications suivantes sont des critères pour vous aider à choisir un emplacement approprié.

Un emplacement approprié doit suivre les normes suivantes:

- ☑ Répondre à tous les critères de distance décrits ci-contre (Fig. 4.1)
- ☑ Avoir une bonne circulation d'air et une bonne ventilation
- ☑ Stable et solide, l'emplacement doit pouvoir supporter l'unité et ne pas vibrer
- ☑ Le bruit ne devra pas déranger le voisinage
- ☑ Abrisé des longues expositions au soleil direct ou à la pluie

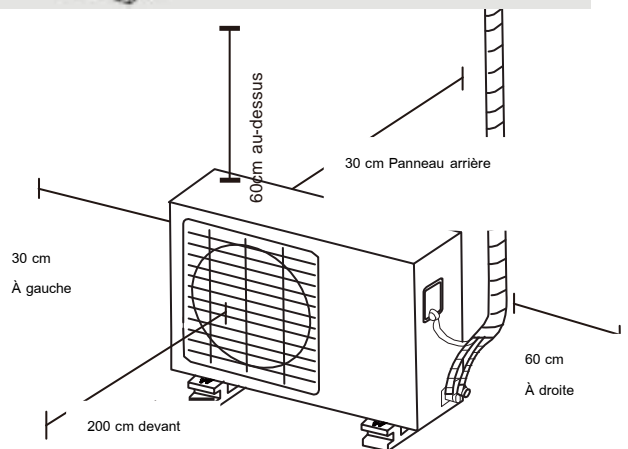


Fig. 4.1

NE PAS installer l'unité dans les emplacements suivants :

- ⊘ Près d'un obstacle qui bloque les entrées et sorties d'air
- ⊘ Près d'une rue, d'endroits bondés et où le bruit risquera de déranger
- ⊘ Près d'animaux ou de plantes auxquels l'air chaud expulsé nuira
- ⊘ Près d'une source de gaz inflammable
- ⊘ Dans un endroit trop poussiéreux
- ⊘ Dans un endroit trop exposé à l'air marin

REMARQUE PARTICULIERE POUR LES CLIMATS EXTREMES

Si l'appareil est exposé à des vents violents:

Installer l'unité de telle sorte que le ventilateur fasse un angle de 90° par rapport à la direction du vent. Si nécessaire, construire une barrière en avant de l'appareil pour la protéger contre les vents extrêmement violents.

Voir Fig. 4.2 et Fig. 4.3 ci-dessous.

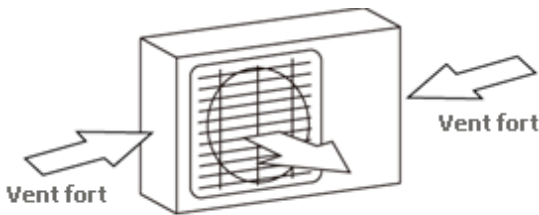


Fig. 4.2

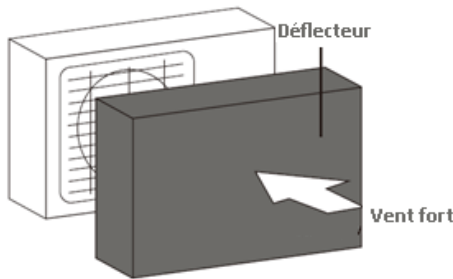


Fig. 4.3

Fig. 4.3

Si l'unité est souvent exposée aux à de fortes chutes de pluie ou de neige:

Construire un abri au-dessus de l'appareil pour le protéger des intempéries tout en veillant à ne pas empêcher le passage de l'air.

Si l'unité est très exposé à l'air marin (bord de mer):

Utiliser l'unité extérieure spécialement conçue pour résister à la corrosion.

Etape 2: Installer le raccord d'évacuation

Les pompes à chaleur nécessitent un raccord d'évacuation. Avant de boulonner l'unité extérieure sur son socle, installer le raccord d'évacuation au bas de l'appareil.

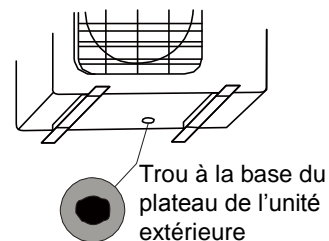
A noter: il existe différents types de raccords d'évacuation selon le type de l'unité extérieure.

Si le raccord d'évacuation est livré avec un joint en caoutchouc (voir la figure 4.4 - A.), Procéder comme suit:

1. Monter le joint en caoutchouc sur l'extrémité de l'articulation de vidange qui se connecte à l'unité extérieure.
2. Insérer le raccord d'évacuation dans le trou situé à la base du plateau de l'unité.
3. Tourner le raccord d'évacuation à 90° jusqu'à ce qu'il se mette en place (jusqu'au clic), face à l'avant de l'unité.
4. Raccorder une rallonge (non incluse) au raccord d'évacuation pour évacuer l'eau de l'unité en mode chauffage.

Si le raccord d'évacuation n'est pas livré avec un joint en caoutchouc (voir la figure 4.4 - B), procéder comme suit :

1. Insérer le raccord d'évacuation dans le trou situé à la base du plateau de l'unité. Le raccord d'évacuation va cliquer en se mettant en place.
2. Raccorder une rallonge (non incluse) au raccord d'évacuation pour évacuer l'eau de l'unité en mode de chauffage.



Joint

Joint

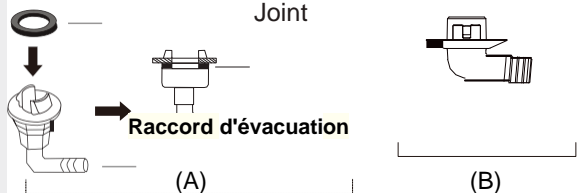


Fig. 4.4



Par temps froid

Par temps froid, s'assurer que le tuyau d'évacuation est aussi vertical que possible pour garantir une évacuation rapide de l'eau. Si l'eau s'évacue trop lentement, elle peut geler dans le tuyau et inonder l'unité.

Etape 3: Fixer l'unité extérieure

L'unité extérieure peut être fixée au sol ou à un support fixé au mur.

DIMENSIONS POUR LE MONTAGE

Ci-dessous, une liste des différentes tailles des unités extérieures et la distance entre les pieds de montage. Préparer le support d'installation de l'appareil selon les dimensions indiquées dans le tableau.

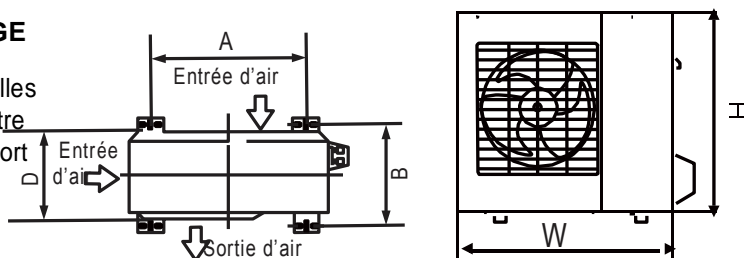


Fig. 4.5

Modeles	Dimensions unité extérieure (mm) W x H x D	Dimensions de montage	
		Distance A (mm)	Distance B (mm)
AW-YHDH009-H91 AW-YHDH012-H91	770 x 555 x 300	487	298
AW-YHDH018-H91	800 x 554 x 333	514	340
AW-YHDH024-H91	845 x 700 x 340	540	350

Pour installer l'appareil sur le sol ou sur une plate-forme de montage en béton, procéder comme suit :

1. Marquer les emplacements des quatre boulons d'expansion conformément aux dimensions indiquées dans le tableau Dimensions pour le montage.
2. Percer les trous pour les boulons.
3. Nettoyer les trous de la poussière de béton.
4. Placez un écrou sur l'extrémité de chaque boulon d'expansion.
5. Enfoncer les boulons d'expansion dans les trous.

6. Retirer les écrous des boulons d'expansion, et placer l'unité extérieure sur les boulons.
7. Mettre la rondelle sur chaque boulon d'expansion, puis mettre les écrous.
8. Avec une clé, serrer chaque écrou jusqu'au blocage complet.



Avertissement

IL EST RECOMMANDÉ DE TOUJOURS METTRE DES PROTECTIONS OCCULAIRES EN PERCANT LE BÉTON.

Pour installer l'appareil sur un support mural, procéder comme suit :

PRÉCAUTION

Avant d'installer une unité sur un mur, s'assurer que le mur est en brique pleine, en béton ou dans un matériau similaire aussi solide. Le mur doit pouvoir supporter au moins quatre fois le poids de l'appareil.

1. Marquer les positions des trous du support conformément aux dimensions indiquées dans le tableau **Dimensions pour le montage**.
2. Percer les trous pour les boulons d'expansion.
3. Nettoyer les trous de la poussière de béton.
4. Placer une rondelle et un écrou sur l'extrémité de chaque boulon d'expansion.
5. Faire passer les boulons d'expansion à travers les trous du support de montage, mettre le support de montage en position, et avec un marteau, enfoncer les boulons d'expansion dans le mur.
6. Vérifier que les supports de montage sont de même niveau.
7. Soulever délicatement l'unité et placer ses pieds de montage sur les supports.
8. Visser fermement l'appareil sur les supports.

POUR RÉDUIRE LES VIBRATIONS DE L'APPAREIL SUR LE MUR

Si possible, installer l'unité murale avec des joints en caoutchouc (silentbloc) pour réduire le bruit et les vibrations.

Etape 4: Connecter les câbles de connexion et d'alimentation

Le bornier de l'unité extérieure, sur le côté de l'appareil, est protégé par un capot. Un schéma complet du câblage est imprimé à l'intérieur du capot.



A VANT DE REALISER LES TRAVAUX D'ELECTRICITE, LIRE CES CONSIGNES

1. Tout le câblage doit être conforme aux normes électriques locales et nationales, et doit être installé par un électricien agréé.
2. Toutes les connexions électriques doivent être effectuées selon le schéma de connexion électrique situé sur les panneaux latéraux des unités intérieures et extérieures.
3. En cas de grave problème de sécurité avec l'alimentation électrique, arrêter le travail immédiatement. En expliquer la raison au client et refuser d'installer l'unité jusqu'à ce que le problème de sécurité soit totalement réglé.
4. La tension d'alimentation doit être comprise entre 90 et 100% de la tension nominale. Une alimentation insuffisante peut provoquer un dysfonctionnement, une décharge électrique ou un incendie.
5. En cas de raccordement de l'alimentation à un câblage fixe, installer un limiteur de surtension et un interrupteur principal d'alimentation d'une capacité de 1,5 fois le courant maximum de l'unité.
6. En cas de raccordement de l'alimentation à un câblage fixe, un coupe-circuit ou un disjoncteur qui déconnecte tous les pôles et a une séparation de contact d'au moins 3 mm doit être intégré dans le câblage fixe. Le technicien doit utiliser un disjoncteur agréé.
7. Brancher l'appareil uniquement à une prise individuelle du circuit de dérivation. Ne pas connecter un autre appareil à cette prise.
8. S'assurer de la mise à la terre du climatiseur.
9. Chaque fil doit être fermement connecté. Un câblage desserré peut causer une surchauffe de la borne et entraîner un dysfonctionnement du produit voir déclencher un incendie.
10. **Ne pas** laisser les fils toucher ou reposer sur la tuyauterie du réfrigérant, du compresseur, ou de toute pièce mobile de l'unité.
11. Si l'unité a un chauffage électrique auxiliaire, il doit être installé à au moins un mètre des matériaux combustibles.



AVERTISSEMENT

AVANT TOUTE INTERVENTION ELECTRIQUE OU CÂBLAGE, COUPER L'ALIMENTATION PRINCIPALE DU SYSTÈME.

1. Préparer le câble pour la connexion:

UTILISER LE CÂBLE CONFORME

- Câble d'alimentation intérieur (le cas échéant): H05VV-F ou H05V2V2-F
- Câble d'alimentation extérieur: H07RN-F
- Câble de connexion: H07RN-F

Diamètre minimum des câbles d'alimentation et de connexion

Zone Amérique du Nord

Intensité du courant de l'appareil en amp (A)	Norme American Wire Gauge (AWG)
10	18
13	16
18	14
25	12
30	10

Autres zones

Courant nominal de l'appareil (A)	Section nominal du câble (mm ²)
> 3 and ≤ 6	0.75
> 6 and ≤ 10	1
> 10 and ≤ 16	1.5
> 16 and ≤ 20	2.5
> 20 and ≤ 32	4
> 32 and ≤ 40	6

- Utiliser une pince à dénuder et dénuder la gaine aux deux extrémités du câble de connexion pour laisser apparaître environ 15cm de fils intérieurs.
- Dénuder les extrémités des fils.
- Utiliser une pince et serrer les cosses en U sur les extrémités des fils.

ATTENTION AU FIL SOUS TENSION

Lors du sertissage des fils, s'assurer de distinguer clairement le fil de phase (« L ») des autres fils.



AVERTISSEMENT

TOUT LE CÂBLAGE DOIT ÊTRE FAIT EN TOTALE CONFORMITÉ AVEC LE SCHÉMA DE CÂBLAGE QUI SE TROUVE DANS L'UNITÉ INTÉRIURE.

- Dévisser le couvercle du câblage et l'enlever.
- Dévisser le collier de serrage sous le bornier et mettez-le de côté.
- Faire correspondre les couleurs des fils avec les étiquettes sur le bornier et brancher les cosses en U. Visser fermement chaque fil à la borne correspondante.
- Après avoir vérifié que chaque connexion est sécurisée, enrouler les fils autour pour empêcher l'eau de pluie de pénétrer dans le bornier.
- Avec le serre-câble, fixer le câble à l'unité. Visser solidement le serre-câbles vers le bas.
- Isoler les câbles non utilisés avec du ruban électrique PVC. Les disposer de sorte qu'ils ne touchent pas les pièces électriques ou métalliques.
- Replacer le capot métallique sur le côté de l'appareil et le visser.

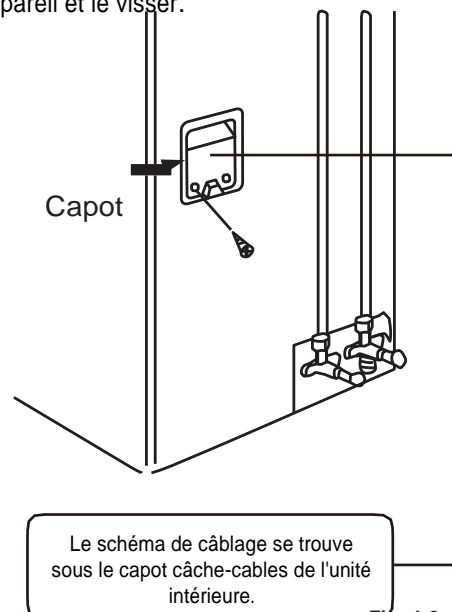
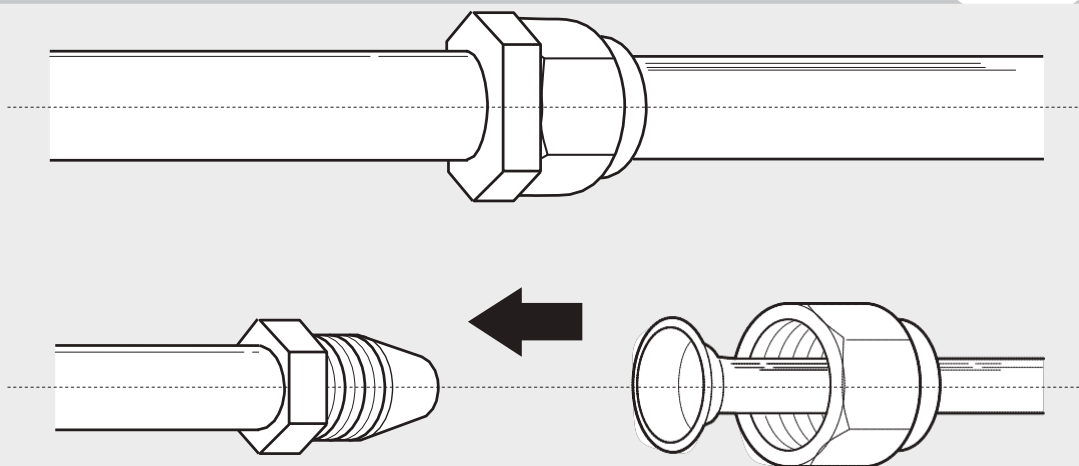


Fig. 4.6

Connexion des tuyaux de réfrigération

6



Remarque sur la longueur du tuyau

La longueur de tuyauterie de réfrigérant aura une incidence sur la performance et l'efficacité énergétique de l'appareil. Le rendement nominal est testé sur des unités d'une longueur de tuyau de 5 mètres.

Se référer au tableau ci-dessous pour les spécifications sur la longueur et la hauteur maximum de la tuyauterie.

Longueur maximale et hauteur de tuyauterie de réfrigération par type de modèle

Modèle	Capacité (BTU/h) (kWh)	Longueur Max. (m)	Hauteur Max. (m)
R32 Monosplit	< 15,000	25	10
	≥ 15,000 (≥ 4,39) et < 24,000	30	20
	≥ 24,000 (≥ 7) et < 36,000	50	25
	≥ 36,000 (≥ 10,54) et ≤ 60,000	65	30

Instructions pour la connexion – Tuyaux de réfrigération

Etape 1: Couper les tuyaux

Lors de la préparation des tuyaux de réfrigération, prendre toutes les précautions pour les couper et les évaser correctement. Ceci garantira un fonctionnement efficace et réduira le besoin d'entretien ultérieur.

1. Mesurer la distance entre les unités intérieures et extérieures.

2. Utiliser un coupe-tube et couper le tuyau un peu plus long que la distance mesurée.
3. S'assurez que le tuyau est coupé à un angle parfait de 90°. Se reporter à la figure. 5.1 pour les exemples de mauvaises coupes.

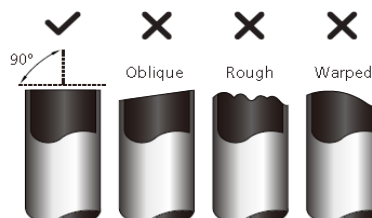


Fig. 5.1



NE PAS DÉFORMER LE TUYAU LORS DE LA COUPE

Etre très prudent pour ne pas endommager, bosseler ou déformer le tuyau pendant la coupe. Autrement cela réduira considérablement l'efficacité du fonctionnement de l'unité.

Etape 2: Ébavurer

Les bavures peuvent affecter l'étanchéité de la liaison de la tuyauterie de réfrigération. Elles doivent être complètement enlevées.

1. Maintenir le tuyau vers le bas pour éviter que les bavures entrent dans le tuyau.
2. Utiliser un alésoir ou un ébavureur, retirer toutes les bavures de la section du tuyau.

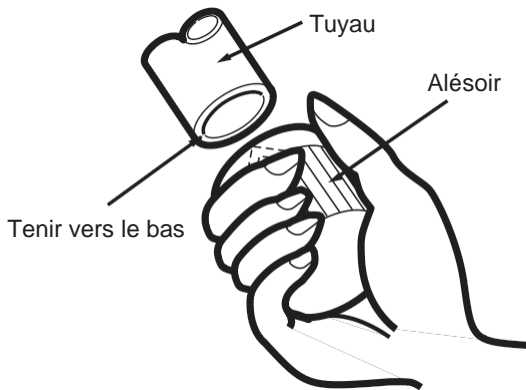


Fig. 5.2

Etape 3: Evaser les extrémités des tuyaux

Un évasement convenable est essentiel pour parvenir à l'étanchéité.

1. Après avoir ébavuré le tuyau, sceller les extrémités avec du ruban en PVC afin d'éviter que des corps étrangers pénètrent dans le tuyau.
2. Gainer le tuyau avec une matière isolante.
3. Placer les écrous évasés sur les deux extrémités de tuyau. S'assurer qu'ils sont mis dans le bon sens car il sera impossible de les mettre ou d'en modifier le sens après l'évasement. Voir Fig. 5.3.

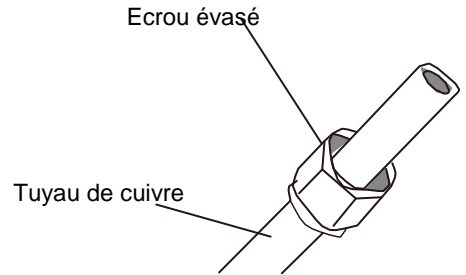


Fig. 5.3

4. Retirer le ruban de PVC des extrémités avant d'évaser.
5. Fixer la matrice de l'outil à évaser (dudgeonnière) à l'extrémité du tuyau. L'extrémité du tuyau doit se prolonger au-delà du bord de la matrice, conformément aux dimensions indiquées dans le tableau ci-dessous.

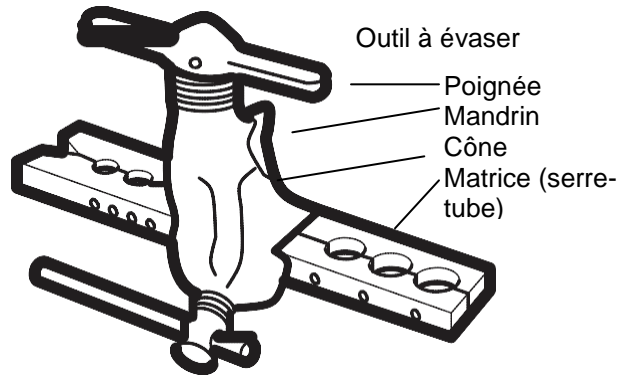


Fig. 5.4

EXTENSION DE TUYAU AU-DELA DE LA MATRICE

Diamètre extérieur du tuyau (mm)	A (mm)	
	Min.	Max.
Ø 6,35	0,7	1,3
Ø 9,52	1,0	1,6
Ø 12,7	1,0	1,8
Ø 16	2,0	2,2

Matrice de l'outil à évaser

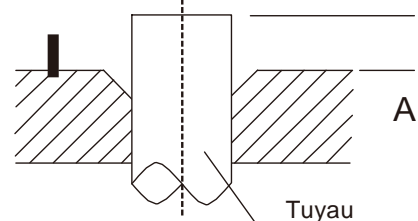


Fig. 5.5

6. Placer l'outil à évaser.
7. Tourner la poignée de l'outil dans le sens des aiguilles d'une montre jusqu'à ce que le tuyau soit entièrement évasé.
8. Retirer entièrement l'outil puis inspecter l'extrémité du tube pour détecter d'éventuelles fissures et vérifier l'évasement.

Étape 4: Connecter les tuyaux

Lors de la connexion des tuyaux de réfrigération, veiller absolument à ne pas utiliser un couple excessif ou à ne pas déformer la tuyauterie. D'abord connecter le tuyau basse pression, puis le tuyau haute pression.

RAYON MINIMUM DE COURBURE

Lorsqu'elle est cintrée, la tuyauterie de réfrigération doit avoir un rayon minimum de 10cm. Voir Fig 5.6.

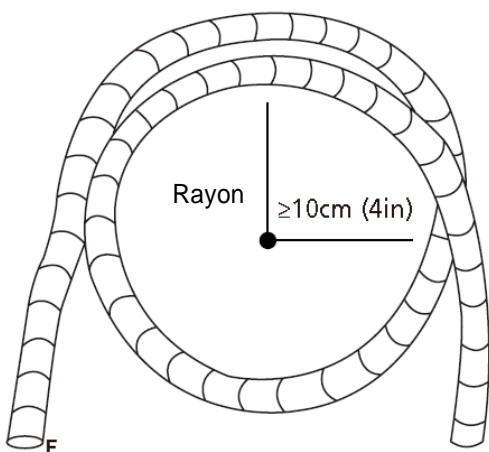


Fig. 5.6

RECOMMANDATIONS DE SERRAGE

Diamètre extérieur du tube (mm)	Couple de serrage (N•cm)	Couple de serrage additionnel (N•m)
Ø 6.35	1 500	1 600
Ø 9.52	2 500	2 600
Ø 12.7	3 500	3 600
Ø 16	4 500	4 700

! NE PAS UTILISER UN COUPLE DE SERRAGE EXCESSIF

Une force excessive peut rompre l'écrou ou endommager la tuyauterie de réfrigération. Ne pas dépasser les recommandations de couple indiquées dans le tableau ci-dessus.

Instructions pour la connexion de la tuyauterie à l'unité intérieure

1. Aligner le centre des deux tuyaux à connecter. Voir Fig. 5.7.

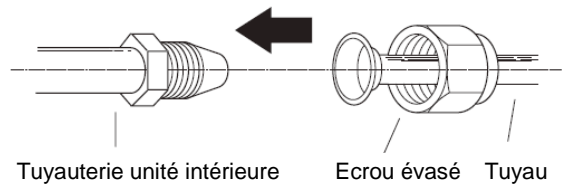


Fig. 5.7

2. Serrer l'écrou évasé aussi étroitement que possible à la main.
3. Aide d'une clé, serer l'écrou sur le tube de l'unité intérieure.
4. Tout en tenant fermement l'écrou sur le tube de l'unité intérieure, utiliser une clé dynamométrique pour serrer l'écrou évasé selon les valeurs de couple du tableau de recommandation ci-dessous. Desserrer légèrement l'écrou évasé, puis le serrer à nouveau.

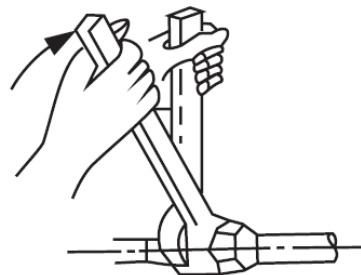


Fig. 5.8

Instructions pour la connexion de la tuyauterie à l'unité extérieure

1. Dévisser le capot de la soupape emballé sur le côté de l'unité extérieure. (Voir Fig. 5.9)

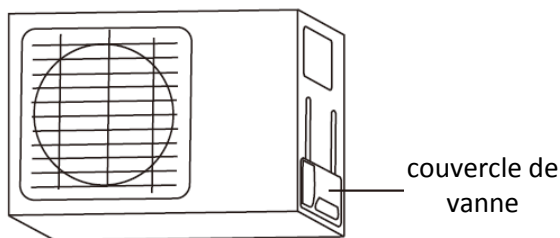


Fig. 5.9

2. Retirez les bouchons protecteurs aux raccordements de vanne.
3. Alignez le tuyau évasé avec chaque vanne, et serrer l'écrou évasé aussi fort que possible à la main.
4. Saisir une clé et saisissez le corps de la vanne.
Ne saisissez pas l'écrou évasé qui scelle le robinet de service. (Voir Fig. 5.10)

! Utiliser une clé pour saisir le corps principal de la vanne

La torsion au moment de serrer l'écrou évasé peut rompre d'autres parties de la vanne.

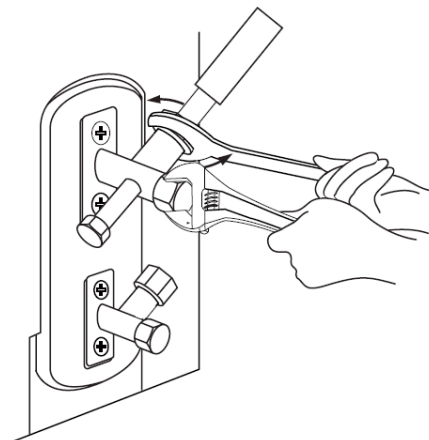
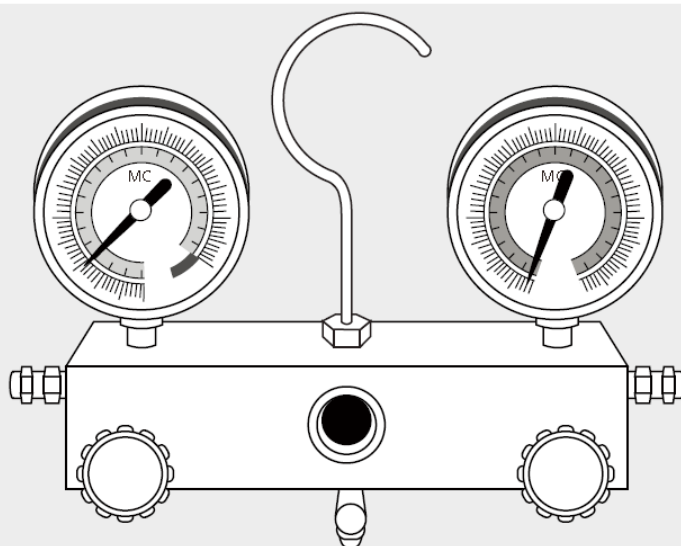


Fig. 5.10

5. Saisissez fermement le corps de la vanne et utilisez une clé dynamométrique pour serrer l'écrou évasé en fonction des valeurs de serrage.
6. Déserrez l'écrou de torchage et resserrer le ensuite.
7. Répéter les étapes 3 à 6 pour le raccord de tuyauterie

Unité extérieure	Réfrigérant/GWP	Charge (5m) (Kg)
AW-YHDH009-H91	R32/675	0,7
AW-YHDH012-H91	R32/675	0,8
AW-YHDH018-H91	R32/675	1,25
AW-YHDH024-H91	R32/675	1,6



Préparations et Précautions

L'air et la matière étrangère dans le circuit réfrigérant peuvent causer des hausses anormales de la pression qui peuvent endommager le climatiseur, réduire son efficacité et causer des blessures. Utiliser une pompe à vide et le manomètre pour évacuer le circuit du réfrigérant, ce qui enlèvera n'importe quel gaz non condensable ainsi que l'humidité. L'évacuation se fera sur l'installation initiale une fois que l'appareil aura été changé de place.

- Vérifier et s'assurer que les pressions haute et basse des tuyaux entre l'intérieur et l'extérieur de l'unité sont connectés correctement comme indiqué sur ce manuel à la section appopriée.
- Vérifier et s'assurer que toutes les installations électriques sont corectement faites.

Instructions d'Évacuation

Avant d'utiliser la jauge du Manifold et la pompe à vide, lisez leurs manuels d'utilisation afin de vous familiariser avec la façon de les utiliser correctement.

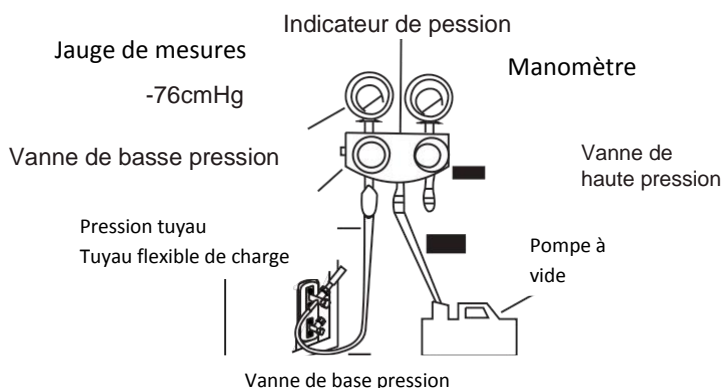


Fig. 6.1

1. Connecter le tuyau de charge du manomètre à la jauge de la connexion de service de la vanne basse pression de l'unité extérieure.
2. Connecter un autre tuyau de charge du manomètre à la pompe à vide.

3. Ouvrir la jauge de basse pression. Gardez le côté haute pression fermé.
4. Ouvrir la pompe à vide pour évacuer le système.
5. Laisser la pompe à vide pendant au moins 15 minutes ou jusqu'à ce que le compteur indique -76cmHg (-10 5 Pa).
6. Fermer la jauge côté basse pression et éteindre la pompe à vide.
7. Attendez 5 minutes, puis vérifiez qu'il n'y a eu aucun changement dans la pression du système.
8. S'il y a un changement dans le système de pression, se référer à la section **Vérification des fuites de courant et de gaz** pour plus d'informations. S'il n'y a pas de changement dans le système de pression, dévisser le bouchon de la vanne pleine (vanne haute pression).
9. Insérer la clé hexagonale dans la vanne pleine (vanne haute pression) et ouvrir la vanne en tournant la clé en faisant un quart de tour vers la gauche dans le sens contraire des aiguilles d'une montre. Écouter le gaz sortir du système puis fermez le robinet 5 secondes après.
10. Surveillez le manomètre pendant une minute pour vous assurer qu'il n'y a pas de changement de la pression. La jauge de la pression doit être légèrement supérieure à la pression atmosphérique.

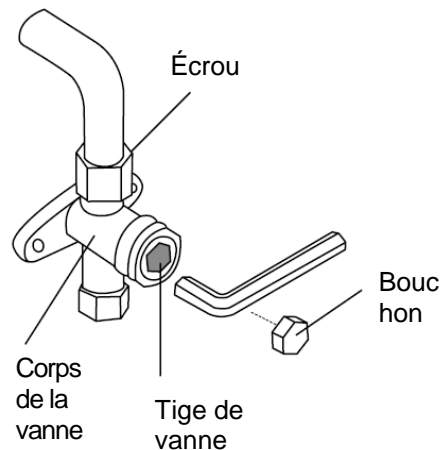


Fig. 6.2

11. Retirez le tuyau de charge du port de connexion.
12. Ouvrir entièrement les vannes Haute et Basse pression à l'aide de la clé hexagonale.
13. Serrer les coiffes des trois vannes (port de connexion, haute pression, basse pression) à la main. Vous pouvez serrer avec une clé dynamométrique si nécessaire.

TIGES DE VANNES OUVERTES

Lors de l'ouverture des tiges de soupape, tourner la clé hexagonale jusqu'à ce qu'elle atteigne le bouchon. Ne pas forcer la vanne en essayant de l'ouvrir davantage.

REMARQUE SUR L'AJOUT DE GAZ RÉFRIGÉRANT

Certains systèmes nécessitent charge supplémentaires en fonction de longueurs de tuyaux. La norme de la longueur du tuyau varie selon les réglementations locales. Par exemple, en Amérique du Nord, la longueur de tuyau standard est de 7,5 m.

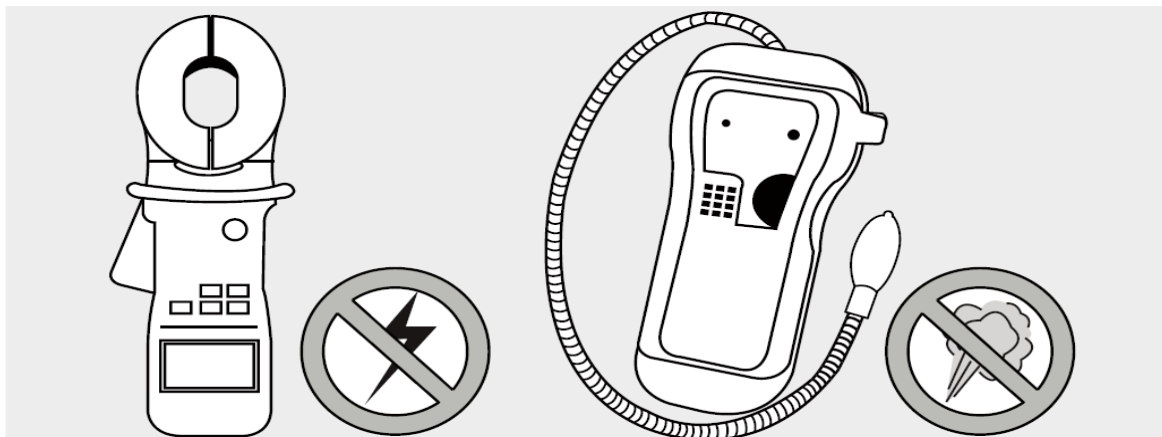
Dans les autres zones, la longueur de tuyau standard est de 5 m. Le gaz réfrigérant supplémentaire à charger peut être calculée selon la formule suivante:

RÉFRIGÉRANT SUPPLÉMENTAIRE PAR LONGUEUR DE TUYAU

Longueur du tuyau de raccordement	Méthode de purge de l'air	Réfrigérant additionnel	
< Longueur standard du tuyau	Pompe à vide	N/A	
> Longueur Standard du Tuyau	Pompe à Vide	Côté Liquide: Ø 6.35 (ø 0.25") R32: (Longueur Tuyau – Longueur Standard) x 12g/m Inverter R410A: (Longueur Tuyau – Longueur Standard) x 15g/m (Longueur Tuyau – Longueur Standard) x 0.16oz/ft	Côté Liquide: Ø 9.52 (ø 0.375") R32 (Longueur Tuyau – Longueur Standard)) x 24g/m Inverter R410A: (Longueur Tuyau – Longueur Standard)) x 30g/m (Longueur Tuyau – Longueur Standard)x0.32oz/ft

! PRUDENCE

NE PAS mélanger les types de gaz réfrigérant.



Vérifications de la sécurité électrique

Après l'installation, vérifiez que tout le câblage électrique est installé conformément aux règlements locaux et nationaux et selon le manuel d'installation.

AVANT LE TEST

Travaux de mise à la terre

Mesure de la résistance de mise à la terre par une détection visuelle et avec un testeur de résistance de mise à la terre.

La résistance à la terre doit être inférieure à 4.

REMARQUE: Ceci n'est peut-être pas exigé pour quelques parties des États-Unis.

PENDANT LE TEST

Vérification de fuite électrique

Pendant le test, utiliser un électroprobe et un multimètre pour réaliser un test de fuite électrique complet.

Si une fuite électrique est détectée, éteindre l'unité immédiatement et appeler un électricien agréé pour résoudre la cause de la fuite.

REMARQUE: Ceci n'est peut-être pas exigé pour quelques parties des États-Unis



ATTENTION-RISQUE D'ÉLECTROCUTION

TOUT LE CÂBLAGE DOIT RESPECTER DES CODES ÉLECTRIQUES LOCAUX ET NATIONAUX ET DOIT ÊTRE INSTALLÉ PAR UN ÉLECTRICIEN AGRÉÉ.

Vérifications des Fuites de Gaz

Il existe deux méthodes pour vérifier les fuites de gaz.

La méthode de l'eau savonneuse

Utiliser une brosse douce, appliquez le détergent avec de l'eau ou un liquide savonneux à tous les points de raccord de connexion des tuyaux des unités intérieures et extérieures. La présence de bulles indique une fuite.

La méthode de détection des fuites

Si vous souhaitez utiliser la méthode du détecteur de fuites, référez-vous au manuel des opérations du dispositif pour des instructions d'utilisation appropriées.

APRÈS LA VÉRIFICATION DES FUITES DE GAZ

Après avoir vérifié qu'aucun des points de raccord des tuyaux de connexion n'avaient de fuite, remettre le couvercle de vanne dans l'unité extérieure.

Essai de fonctionnement

9

Essai de Fonctionnement

Procéder au test après avoir suivi les étapes suivantes:

- **Vérification de la sécurité électrique** – Vérifier que le système électrique de l'unité est sûre et fonctionne correctement.
- **Vérification des fuites de gaz** – Vérifier toutes les connexions des écrous évasés et s'assurer que le système ne comporte aucune fuite.
 - Vérifier que le gaz et le liquide (à Haute et Basse pression) des vannes soient entièrement ouvertes.

Instructions pour l'essai

Vous devez effectuer le test de fonctionnement pendant au moins 30 minutes.

1. Allumer l'appareil.
2. Appuyer sur le bouton **ON/OFF** de la télécommande pour allumer l'appareil.
3. Appuyer sur le bouton **MODE** afin de parcourir les options suivantes, une par une:
 - **COOL (REFROIDISSEMENT)** – Sélectionner la température la plus basse possible.
 - **HEAT (CHALEUR)** – Sélectionner la température la plus haute possible.
4. Laisser fonctionner chacune des fonctions 5 minutes et procéder aux Vérifications suivantes.

Liste des vérifications à effectuer	BON/MAUVAIS	
Pas de perte de courant électrique		
Le système est mis à la terre correctement		
Tous les terminaux électriques		
Tous les terminaux électriques sont correctement protégés		
Les unités intérieures et extérieures sont solidement installées		
Aucun point des connexions des tuyaux ne fuit.	Extérieur (2)	Intérieur (2)
L'eau s'écoule correctement du tuyau d'évacuation (de ponction)		
Toute la tuyauterie est correctement isolée		
Unité en mode COOL (REFROIDISSEMENT) fonctionne correctement		
Unité en mode HEAT (CHALEUR) fonctionne correctement		
Les détecteurs intérieurs fonctionnent correctement		
L'unité intérieure répond au contrôleur à distance		

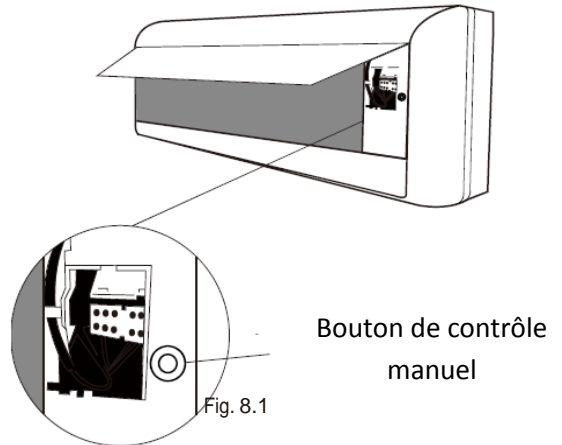
REVÉRIFICATION DES CONNEXIONS DES TUYAUX

Pendant l'opération, la pression du circuit réfrigérant augmentera. Ceci peut révéler des fuites qui n'étaient pas présents lors du contrôle de votre première installation.

Prenez le temps pendant le test.

N'hésitez pas à vérifier deux fois les points de raccord de conduit pour savoir s'il y a des fuites. Référez-vous aux instructions de la section de "Vérification des fuites de gaz".

5. Une fois que le test a été accompli entièrement avec succès et que vous avez vérifié que tous les points de la liste de vérification étaient bons, vous pouvez continuer:
 - a. Utiliser la télécommande pour remettre l'unité à la température normale de fonctionnement.
 - b. Utiliser la bande isolatrice pour enveloppez les raccords de connexion des tuyaux réfrigérants intérieurs que vous avez laissés découverts pendant le processus d'installation de l'unité intérieure.



Bouton de contrôle
manuel

SI LA TEMPÉRATURE AMBIANTE SE SITUE EN DESSOUS DE 17°C

Vous ne pouvez pas utiliser la télécommande pour allumer la fonction COOL (REFROIDISSEMENT) lorsque la température ambiante descend en dessous de 17°C. Dans ce cas, vous pouvez utiliser le bouton de CONTRÔLE MANUEL pour tester la fonction COOL (REFROIDISSEMENT)

1. Le bouton de CONTRÔLE MANUEL se situe sur le côté droit du panneau de l'unité. Fig. 8.1.
2. Appuyer sur le bouton de CONTRÔLE MANUEL une fois pour activer le mode AUTO OBLIGATOIRE.
3. Appuyer sur le bouton de CONTRÔLE MANUEL à nouveau pour activer le mode REFROIDISSEMENT OBLIGATOIRE.
4. Réaliser le test de fonctionnement normalement.

ÉLIMINATION: Respecter impérativement les consignes des Directives Générales de la Commission Européenne.

Cet appareil contient du gaz réfrigérant et d'autres matières potentiellement dangereuses. Ces déchets doivent être collectés à part pour faire l'objet d'un traitement particulier. **Il est interdit** de se débarrasser de cet appareil avec les ordures ménagères.

Pour l'élimination, plusieurs possibilités s'offrent à vous:

- La municipalité a mis en place des systèmes de collecte où les déchets d'appareils électroniques peuvent être éliminés sans frais pour l'utilisateur.
- A l'achat d'un appareil neuf, le commerçant reprendra l'ancien appareil gratuitement.
- Le fabricant reprendra l'ancien appareil gratuitement.
- Les ferrailleurs certifiés peuvent également reprendre votre appareil.

Notification particulière

Le dépôt sauvage des déchets dans les forêts et paysages met en danger la nature et votre santé si des substances dangereuses se retrouvent dans les nappes phréatiques, puis dans la chaîne alimentaire.



! WARNING

BEFORE PERFORMING ANY ELECTRICAL OR WIRING WORK, TURN OFF THE MAIN POWER TO THE SYSTEM.

1. Prepare the cable for connection:

USE THE RIGHT CABLE

- Indoor Power Cable (if applicable): H05VV-F or H05V2V2-F
- Outdoor Power Cable: H07RN-F
- Signal Cable: H07RN-F

Minimum Cross-Sectional Area of Power and Signal Cables

North America

Appliance Amps (A)	AWG
10	18
13	16
18	14
25	12
30	10

Other Regions

Rated Current of Appliance (A)	Nominal Cross-Sectional Area (mm ²)
> 3 and ≤ 6	0.75
> 6 and ≤ 10	1
> 10 and ≤ 16	1.5
> 16 and ≤ 25	2.5
> 25 and ≤ 32	4
> 32 and ≤ 40	6

- a. Using wire strippers, strip the rubber jacket from both ends of cable to reveal about 15cm (6in) of the wires inside.
- b. Strip the insulation from the ends of the wires.
- c. Using a wire crimper, crimp u-lugs on the ends of the wires.

PAY ATTENTION TO LIVE WIRE

While crimping wires, make sure you clearly distinguish the Live ("L") Wire from other wires.

! WARNING

ALL WIRING MUST PERFORMED STRICTLY IN ACCORDANCE WITH THE WIRING DIRGRAM LOCATED INSIDE THE OUTDOOR UNIT S WIRE COVER.

2. Unscrew the electrical wiring cover and remove it.
3. Unscrew the cable clamp below the terminal block and place it to the side.
4. Match the wire colors/labels with the labels on the terminal block, and firmly screw the u-lug of each wire to its corresponding terminal.
5. After checking to make sure every connection is secure, loop the wires around to prevent rain water from flowing into the terminal.
6. Using the cable clamp, fasten the cable to the unit. Screw the cable clamp down tightly.
7. Insulate unused wires with PVC electrical tape. Arrange them so that they do not touch any electrical or metal parts.
8. Replace the wire cover on the side of the unit, and screw it in place.

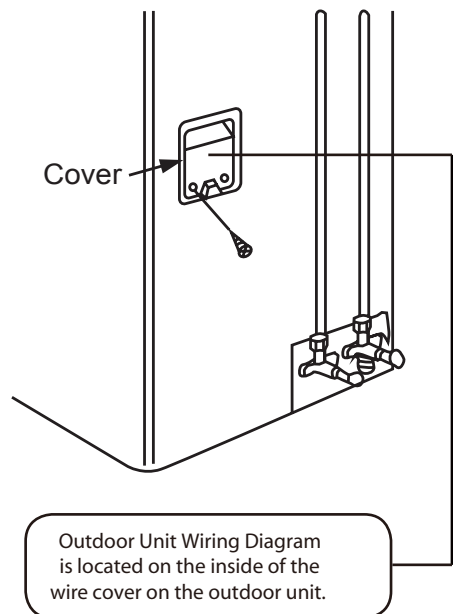


Fig. 4.6

Airwell

Just feel well

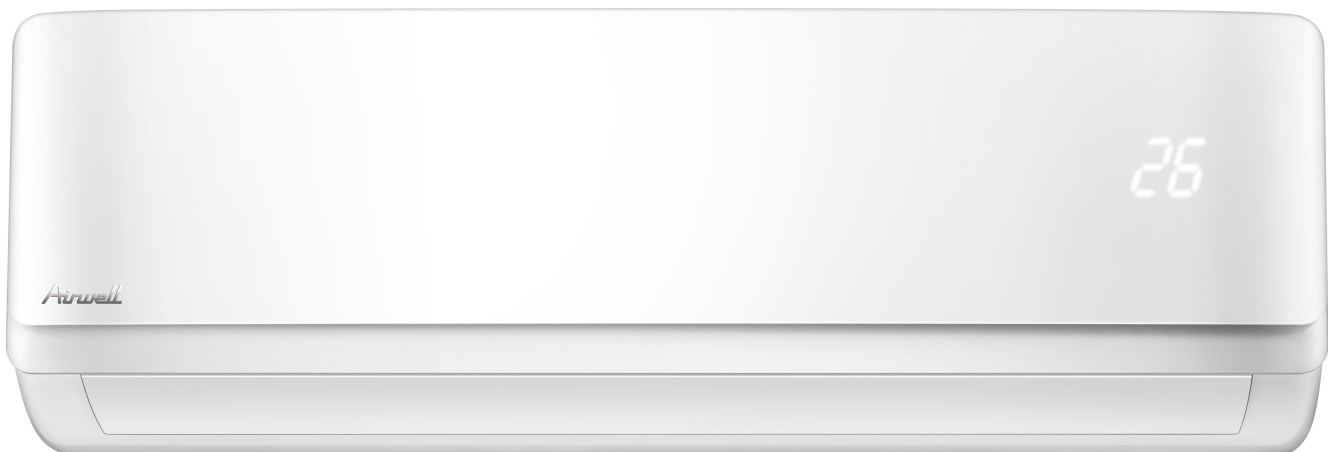


Installation Manual

HDH High Wall

R32

German Manual



IMPORTANT NOTE:

Read this manual carefully before installing or operating your new air conditioning unit. Make sure to save this manual for future reference.



MONTAGESCHUTZMASSNAHMEN

- Lesen Sie bitte diese Bedienungsanleitung sorgfältig durch, bevor Sie das Klimagerät bedienen, damit eine ordnungsgemäße Montage gewährleistet ist.
- Wenn das Stromzufuhrkabel beschädigt ist, sollte der Austausch nur von autorisiertem Fachpersonal durchgeführt werden.
- Die Montage muss in Übereinstimmung mit den nationalen Leitungsnetzstandards von autorisiertem Fachpersonal durchgeführt werden.
- Kontaktieren Sie einen autorisierten Servicetechniker für Reparaturen, Wartungen und die Montage des Klimagerätes.
- Dieses Gerät ist nicht für die Bedienung durch Personen bestimmt (einschließlich Kindern), die geminderte physische, sensorische oder mentale Fähigkeiten, oder einen Mangel an Erfahrungen und Kenntnissen haben, außer, sie haben von einer Person, die für ihre Sicherheit verantwortlich ist, Anweisungen für den Gebrauch des Geräts erhalten oder werden von dieser beaufsichtigt.
- Kinder sollten beaufsichtigt werden, um sicherzustellen, dass sie nicht mit dem Gerät spielen.
- Alle Abbildungen in dieser Bedienungsanleitung dienen nur zu Anschauungszwecken. Die konkrete Form sollte maßgeblich sein.
- Das Produktdesign und die -spezifikationen können ohne vorherige Ankündigung zur Produktverbesserung verändert werden. Fragen Sie Ihren Händler oder den Hersteller nach den Einzelheiten.

SICHERHEITSSCHUTZMASSNAHMEN

- Lesen Sie diese Sicherheitsschutzmaßnahmen sorgfältig durch, bevor Sie das Gerät montieren.
- Achten Sie darauf, dass Sie alle unten beschriebenen Schutzmaßnahmen befolgen. Sie sind alle wichtig für die Gewährleistung der Sicherheit.

WARNUNG	Dieses Symbol zeigt an, dass Lebensgefahr oder die Gefahr schwerer Verletzungen besteht.
WARNUNG	Dieses Symbol zeigt an, dass die Gefahr schwerer Verletzungen oder die Beschädigung des Gerätes besteht.

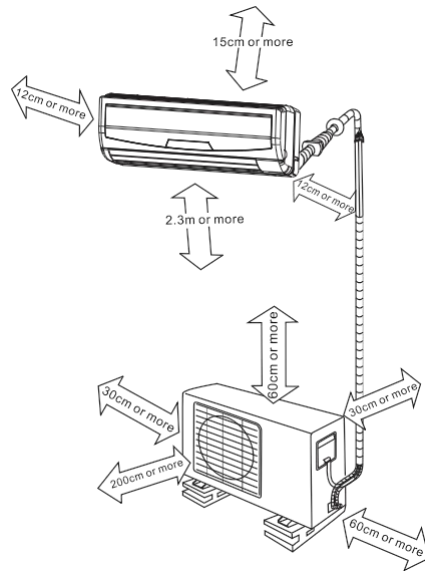
WARNUNG
1) Installieren Sie das Gerät genau nach dieser Bedienungsanleitung. Wenn die Montage fehlerhaft ist, kann dies zum Wasseraustritt, zu einem elektrischen Schlag oder einem Brand führen.
2) Verwenden Sie das beigefügte Zubehör und die spezifizierten Teile für die Montage. Andernfalls kann es die Bauteile zu Fall bringen, oder es kann zu einem Wasseraustritt, einem elektrischen Schlag oder einem Brand kommen.
3) Installieren Sie das Gerät an einer harten und festen Stelle, die in der Lage ist, dem Gewicht der Bauteile standzuhalten. Wenn die Festigkeit nicht ausreichend ist, oder die Montage wurde nicht ordnungsgemäß durchgeführt, können die Bauteile herabfallen und eine Verletzung verursachen.
4) Beachten Sie bei allen Elektroarbeiten die örtlichen nationalen Anschlussvorschriften, die Verordnungen und diese Bedienungsanleitung. Ein unabhängiger Stromkreis und eine Einzelsteckdose müssen verwendet werden. Wenn die elektrische Schaltkreiskapazität nicht ausreichend ist oder während der Elektroarbeiten defekt vorgefunden wird, kann dies einen elektrischen Schlag verursachen.

5) Verwenden Sie nur das spezielle Kabel, schließen Sie es fest an und klemmen Sie das Kabel so an, dass keine äußere Kraft auf die Anschlussklemme einwirkt. Wenn die Verbindung oder die Befestigung nicht ordnungsgemäß montiert sind, kann es zu einer Überhitzung oder zu einem Brand an der Verbindungsstelle kommen.
6) Kabelarbeiten müssen richtig angeordnet sein, so dass die Schalttafelabdeckung geeignet befestigt ist. Wenn die Schalttafelabdeckung nicht richtig befestigt ist, kommt es zu einer Überhitzung an den Verbindungspunkten der Anschlussklemme, zu einem Brand oder zu einem elektrischen Schlag.
7) Wenn Sie das Anschlussrohr durchführen, achten Sie darauf, dass keine Luftbestandteile oder andere als das spezielle Kühlmittel in den Kühlkreislauf gelangen. Andererseits kann dies zu einer geringeren Kapazität, zu einem abnorm hohen Druck in dem Kühlkreislauf, zu einer Explosion und zu Verletzungen führen.
8) Verändern Sie nicht die Länge des Stromzufuhrkabels und verwenden Sie kein Verlängerungskabel. Teilen Sie nicht die Steckdose mit anderen elektrischen Geräten. Andererseits kann dies zu einem Brand oder einem elektrischen Schlag führen.
WARNUNG
1) Diese Ausstattung muss ordnungsgemäß geerdet und mit einem Fehlerstromschutzschalter ausgestattet sein. Es kann zu einem elektrischen Schlag führen, wenn die Erdung nicht ordnungsgemäß ist.
2) Montieren Sie das Gerät nicht an einer Stelle, an der es zum Austritt von brennbaren Gasen kommen kann. Falls Gas austritt, das sich in der Nähe des Gerätes sammelt, kann dies zu einem Brand führen.
3) Führen Sie das Abfließen des Kondenswassers durch, wie dies in der Bedienungsanleitung beschrieben wird. Wenn die Kondenswasserentleerung nicht ordnungsgemäß durchgeführt wird, kann es zu einem Wasseraustritt in den Raum kommen und die Möbel zerstören.

WÄHLEN SIE DIE BESTE STELLE AUS INNENGERÄT

- Es sollte sich keine Wärmequelle oder kein Strom in der Nähe des Gerätes befinden.
- Es dürfen keine Hindernisse die Luftzirkulation blockieren.
- Eine Stelle, an der die Luftzirkulation im Raum optimal ist. Ein Platz, an dem das Abfließen des Kondenswassers problemlos durchgeführt werden kann.
- Ein Platz, an dem der Lärmschutz berücksichtigt wird.
- Installieren Sie das Klimagerät nicht in der Nähe eines Türeinganges.
- Achten Sie auf die Abstände zur Wand, zur Decke, zu Zäunen und anderen Hindernissen, die durch Pfeile gekennzeichnet sind.
- Es darf kein direktes Sonnenlicht auf die Klimateinheit scheinen. Sofern die Sonneneinstrahlung nicht vermeidbar ist, ziehen Sie die Anschaffung eines Sonnenschutzes in Erwägung.

15 cm oder mehr
12 cm oder mehr
2–3 cm oder mehr
60 cm oder mehr
30 cm oder mehr
200 cm oder mehr



Außengerät

- Wenn eine Markise über der Klimateinheit eingebaut ist, die die Klimateinheit vor dem direkten Sonnenlicht oder vor Regen schützen soll, achten Sie darauf, dass die Wärmestrahlung des Kondensators nicht behindert wird.
- Es sollten sich keine Tiere oder Pflanzen in der Nähe des Gerätes befinden, die von der austretenden Heißluft verletzt werden könnten.
- Halten Sie die Abstände von Wänden, Decken, Zäunen oder anderen Hindernissen ein, die durch einen Pfeil angezeigt werden.
- Stellen Sie keine Hindernisse auf, die einen Kurzschluss der aufgeladenen Luft bewirken könnten.

Einbau des Außengerätes

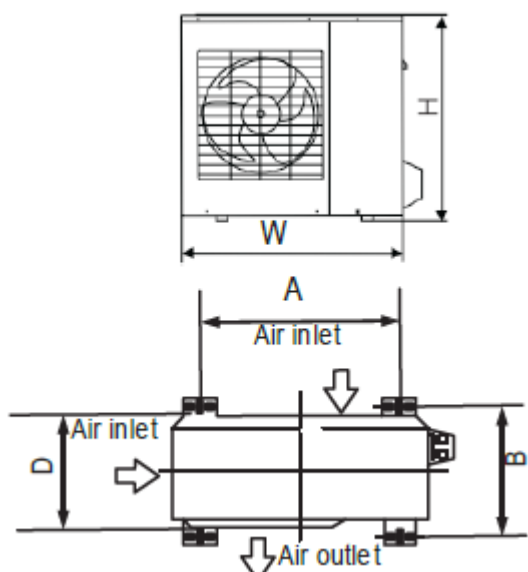
Verankern Sie das Außengerät mit einer Schraube und einer Mutter im $\phi 10$ oder $\phi 8$ fest und waagrecht an einem Beton- oder starren Fundament.

HINWEIS: Das Außengerät, das Sie bestellt haben, sollte eines der folgenden sein. Installieren Sie das Außengerät in Übereinstimmung zu den Maßen wie sie in der untenstehenden Tabelle aufgeführt sind:

Außengerät Maße mm (B x H x T)	Montagemaße	
	A (mm)	B (mm)
770 x 555 x 300	487	298
800 x 554 x 333	514	340
780 x 540 x 250	549	276
760 x 590 x 285	530	290
845 x 700 x 320	560	335
775 x 545 x 310	600	320
670 x 540 x 265	481	276

ZUBEHÖR

Nummer	Zubehörbezeichnung		Stückzahl	
1	Installationsplatte		1	
2	Ankerclip		5–8 (modellabhängig)	
3	Selbstbohrende Schraube A ST3. 9x25		5–8 (modellabhängig)	
4	Dichtung (Nur für Kühl- & Heizmodelle)		1	
5	Ablaufanschlussstück (Nur für Kühl- & Heizmodelle)		1	
6	Verbindungsrohr-Assembler	Flüssigkeitsseite	Teile, die Sie zusätzlich bestellen müssen. Die Rohrgröße variiert zwischen den einzelnen Geräten. Fragen Sie einen Techniker wegen der richtigen Größe.	
				$\Phi 6.35$
				$\Phi 9.52$
		Gasseite		$\Phi 9.52$
			$\Phi 12.7$	
			$\Phi 16$	
7	Fernbedienung		1	
8	Selbstbohrende Schraube B ST2. 9x10	Optionale Teile	2	
9	Fernbedienungshalterung		1	



Luftansaugung
Luftansaugung
Luftstrom

HINWEIS:

Außer den oben aufgeführten Teilen, müssen Sie die anderen Teile, die Sie während der Montage benötigen, nachbestellen.

Models	Outdoor unit Dimensions (mm)	Mounting Dimensions	
	W x H x D	Distance A (mm)	Distance B (mm)
AW-YHDH009-H91 AW-YHDH012-H91	770 x 555 x 300	487	298
AW-YHDH018-H91	800 x 554 x 333	514	340
AW-YHDH024-H91	845 x 700 x 340	540	350

OUTDOOR UNIT	Refrigerent/GWP	Charge (5m) (Kg)
AW-YHDH009-H91	R32/675	0,7
AW-YHDH012-H91	R32/675	0,8
AW-YHDH018-H91	R32/675	1,25
AW-YHDH024-H91	R32/675	1,6

1 ANBRINGUNG DER INSTALLATIONSPLATTE

HINWEIS:

Die Montagewand ist stark und solide genug, um vor Vibrationen zu schützen.

Montieren Sie die Installationsplatte an

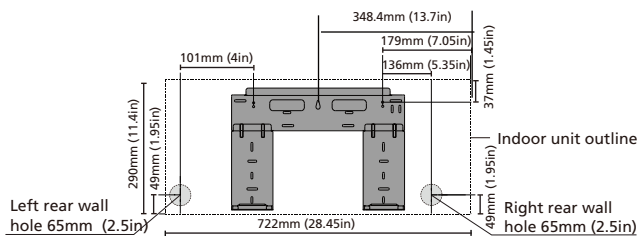
1. Montieren Sie die Installationsplatte horizontal mit Abständen um die Installationsplatte herum auf der Wand.
2. Wenn es sich um eine Steinwand, eine Betonwand oder ähnliches handelt, bohren Sie fünf oder acht 5-mm-Durchmesser-Bohrlöcher in die Wand. Setzen Sie den Ankerclip zur richtigen Anbringung der Schrauben ein.
3. Montieren Sie die Installationsplatte mit fünf oder acht Typ-A-Schrauben an die Wand.

HINWEIS:

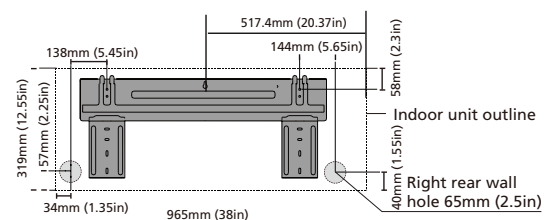
Montieren Sie die Installationsplatte und bohren Sie die Bohrlöcher so in die Wand, dass sie passend zur Wandstruktur und zu den Montagepunkten auf der Installationsplatte sind. Die Installationsplatte, wie sie mit der Maschine angeboten wird, unterscheidet sich von Gerät zu Gerät.

(Die Maße sind in „mm“ aufgeführt, soweit nicht anders angegeben)

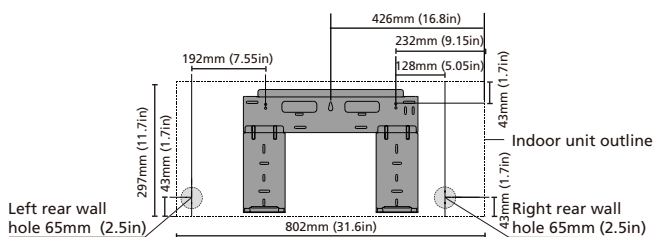
Die richtige Ausrichtung der Installationsplatte



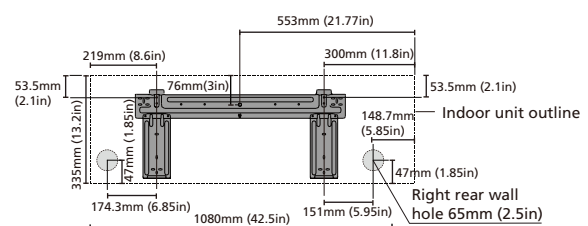
Model 9



Model 18



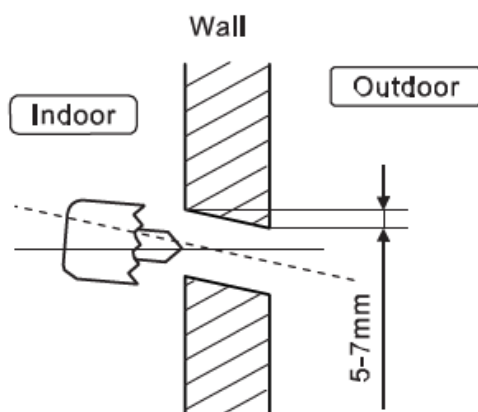
Model 12



Model 24

2 BOHRUNG IN DIE WAND

1. Legen Sie die Lochpositionen entsprechend der linken und rechten Seite der Installationsplatte fest. Die Lochmitte erhalten Sie, wenn Sie den Abstand so messen, wie dies im Diagramm oben gezeigt wird.
2. Bohren Sie das Rohrleitungsplattenloch mit einer $\varnothing 65$ mm Kernlochbohrung.
3. Bohren Sie das Rohrleitungsloch entweder auf die rechte oder die linke Seite. Die Bohrung sollte etwas abgeschrägt zur Außenseite sein.
4. Führen Sie Maßnahmen durch, um die Rohrleitung zu schützen, während Sie Metallgitter, Metallplatten oder ähnliches bohren.



Wand
Außenbereich
Innenraum

3 KABELANSCHLUSS AN DAS INNENGERÄT

Elektroarbeiten

Elektro-Sicherheitsvorschriften für die Erstmontage

1. Wenn es ein ernstes Sicherheitsproblem wegen der Spannungsversorgung gibt, sollten die Techniker die Installation der Klimaanlage ablehnen und dies dem Kunden erklären bis das Problem gelöst wurde.
2. Die Netzspannung muss im Bereich von 90% ~ 110% der angegebenen Spannung liegen.
3. Ein Kriechstrom-Schutz und ein Hauptschalter mit einer 1,5fachen Kapazität der maximalen Stromaufnahme sollte im Stromkreis installiert sein.
4. Achten Sie darauf, dass die Klimaanlage ordnungsgemäß geerdet ist.
5. Entsprechend des beigefügten Elektrischen Anschlussschemas, das sich auf dem Paneel des Innen- und Außengerätes befindet, schließen Sie das Kabel an.
6. Ein gesonderter Stromkreis und eine Steckdose, die nur für diese Klimaanlage verwendet wird, müssen vorhanden sein. Beachten Sie die folgende Tabelle für die vorgeschlagenen Kabelgrößen:

Minimum-Nennquerschnittsfläche des Stromleiters:

Bemessungsstrom der Geräte (A)	Nennquerschnittsfläche (mm ²)
>3 and ≤6	0,75
>6 and ≤10	1
>10 and ≤16	1,5
>16 and ≤25	2,5

HINWEIS:

Die Kabelgröße und der Strom der Sicherung oder des Schalters sind festgelegt an dem maximalen Strom, der auf dem Typenschild, das sich an der Seite des Paneels des Klimagerätes befindet, aufgeführt ist. Beachten Sie bitte das Typenschild, bevor Sie ein Kabel, eine Sicherung und einen Schalter auswählen.

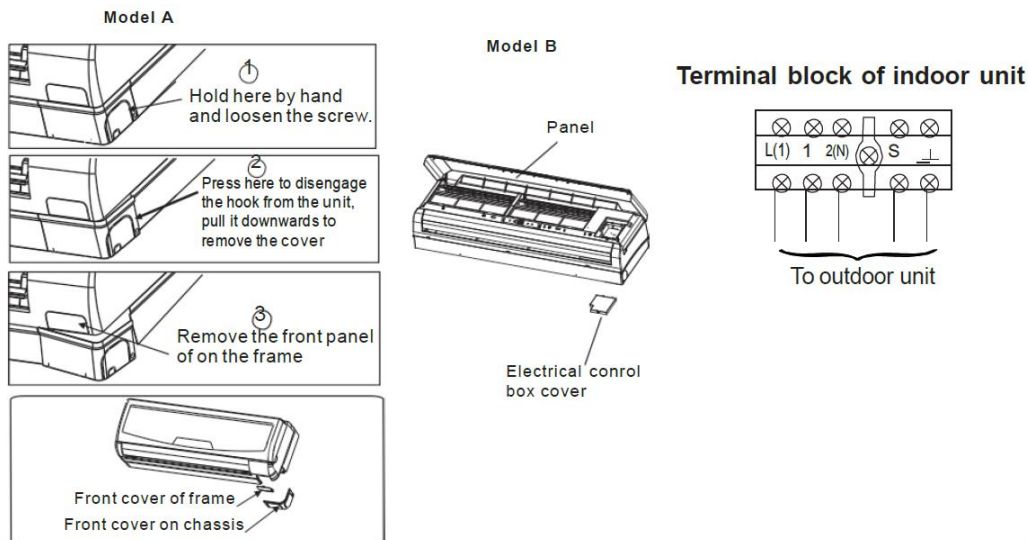
ANSCHLUSS DES KABELS AN DAS INNENGERÄT

HINWEIS:

Bevor Sie die Elektroarbeiten durchführen, schalten Sie das Hauptstromversorgungssystem aus.

1. Beim Modell A entfernen Sie zuerst die vordere Abdeckung am Gehäuse, indem Sie die Schraube lösen. Danach entfernen Sie die vordere Abdeckung vom Rahmen wie dies unten gezeigt wird. Beim Modell B, öffnen Sie nur das Paneel. Danach entfernen Sie den Elektroverteiler, indem Sie die Schraube lösen.
3. Der Innengerät-Stromkabeltyp sollte H05VV-F oder H05V2V2-F sein. Der Außengerät-Stromkabeltyp und das Verbindungskabel sollten H07RN-F sein. Achten Sie auf die Farben der Kabel des Außengerätes. Die Polklemmennummern sind die gleichen wie die des Innengerätes.
5. Umwickeln Sie die Kabel, die nicht mit den Polklemmen verbunden sind, mit Klebestreifen, damit sie keine elektrischen Komponenten berühren. Sichern Sie das Kabel, das zum Kontrollpaneel führt, mit der Kabelklemme.

HINWEIS: Wenn es als MONO-Einheit verwendet wird, muss die Querschnittsfläche die an L(1), 1, 2(N) verbunden ist, für den maximalen Regelstrom ausgelegt sein. Dies ist für die Standby-Kontrolle notwendig. Der maximale Regelstrom ist entsprechend der Summe des Bemessungsstroms des Innen- und Außengerätes. Wenn es als MULTI-Einheit verwendet wird, muss L(1) nicht an die Klemmleisten angeschlossen werden.



Modell A

Halten Sie es an dieser Stelle fest und lösen Sie die Schraube.
 Drücken Sie an dieser Stelle, damit Sie den Haken hinten von der Einheit hochdrücken können.
 Drücken Sie ihn herunter und entfernen Sie die Abdeckung
 Entfernen Sie das vordere Paneel vom Rahmen
 Vordere Rahmenabdeckung
 Vordere Gehäuseabdeckung

Modell B

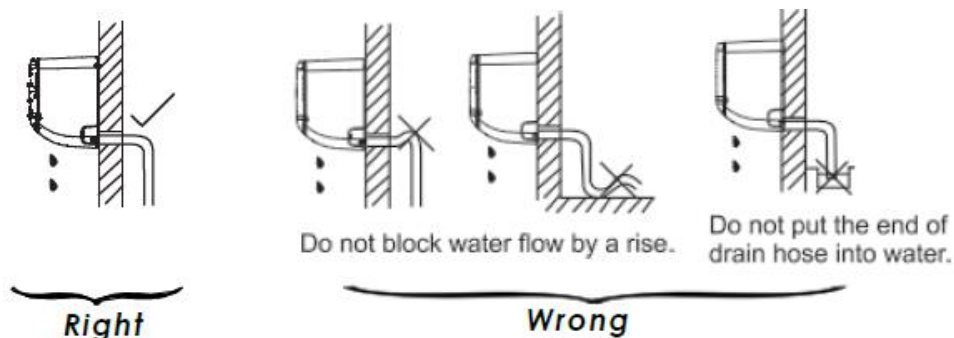
Paneel
 Elektroverteilerabdeckung

Klemmleisten des Innengerätes
 Zum Außengerät

4 MONTAGE DES ROHRLEITUNGSANSCHLUSSES UND DES KONDENSWASSER-ABLAUFSYSTEMS

Kondenswasser-Ablaufsystem

1. Den Kondenswasserschlauch nach unten abbiegen und mit Gefälle verlegen. Montieren Sie den Schlauchanschluss zum Entleeren nicht wie illustriert in dem falschen Beispiel.
2. Wenn Sie die Schlauchanschlussverlängerung anschließen, kleben Sie das Verbindungsstück der Verlängerung des Kondenswasserschlauches mit einem Abschirmrohr ab. Lassen Sie den Kondenswasserschlauch nicht lose liegen.



Rechts

Blockieren Sie das Wasser nicht durch Anstieg.
Tauchen Sie das Ende des Kondenswasserschlauches nicht in Wasser.
Falsch

Montage des Anschlussrohres

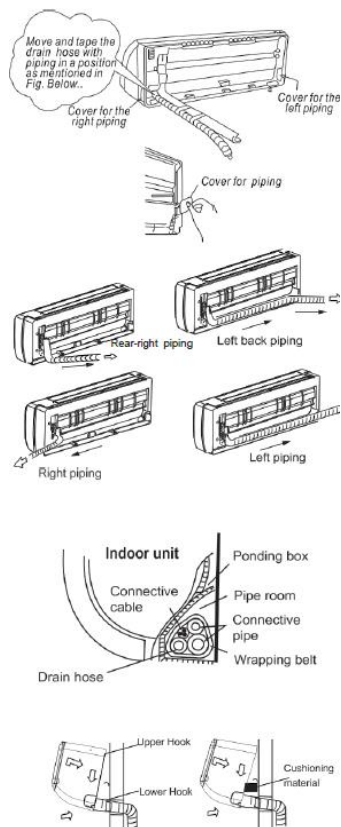
1. Für die linke und rechte Rohrleitung, entfernen Sie die Rohrabdeckung von dem Seitenpaneel.
2. Für die rückseitige rechte und rückseitige linke Rohrleitung, montieren Sie die Rohrleitung wie abgebildet.
3. Bündeln Sie das Rohr, das Anschlusskabel und den Kondenswasserschlauch mit einem Sicherheitsklebeband, so wie es in dem Beispiel auf der rechten Seite gezeigt wird.
 - Der Grund hierfür ist, dass das Kondenswasser von der Rückseite des Innengerätes sich in dem Kanalkasten sammelt und aus dem Raum geleitet wird. Legen Sie nichts anderes in den Kasten.

WARNUNG

- Verbinden Sie das Innengerät zuerst und danach das Außengerät.
- Gestatten Sie nicht das Ableiten des Wassers von der Innengeräterückseite.
- Achten Sie darauf, dass Sie den Ablaufschlauch nicht lose liegen lassen.
- Die Wärmeisolierung sollte an der Verlängerung des Ablaufschlauch des Innengerätes vorhanden sein.
- Achten Sie darauf, dass der Ablaufschlauch an der untersten Seite des Bündels platziert ist. Wenn Sie ihn an der oberen Seite platzieren, kann die Bodenwanne innen im Gerät überlaufen.
- Überkreuzen und verdrillen Sie niemals die Stromkabel.

Montage des Innengerätes

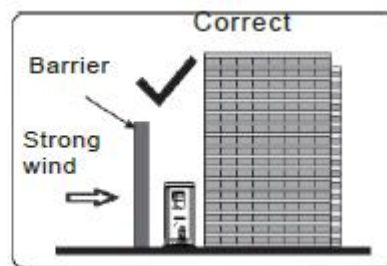
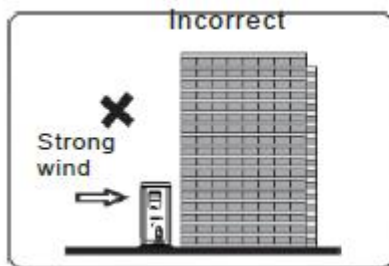
1. Ziehen Sie die Rohrleitung durch das Loch in der Wand.
2. Haken Sie das Innengerät in den oberen Abschnitt der Installationsplatte (Setzen Sie das Innengerät mit der oberen Kante auf die Installationsplatte). Achten Sie darauf, dass die Haken richtig auf der Installationsplatte eingehakt sind, wenn Sie sie nach links und rechts bewegen.
3. Das Ableiten durch das Rohrleitungssystem kann vereinfacht werden, wenn Sie das Innengerät mit einem Dämmmaterial zwischen dem Innengerät und der Wand auffüllen. Nehmen Sie das Dämmmaterial nach dem Ableiten durch das Rohrleitungssystem wieder heraus.
4. Drücken Sie die linke und rechte Geräteseite nach unten gegen die Installationsplatte bis die Haken mit ihren Nuten einrasten.



Move and tape the drain hose with piping in a position as mentioned in Fig. Below..	Bewegen und kleben Sie den Kondenswasserschlauchanschluss an das Rohrleitungssystem in die Position wie es die Abbildung unten zeigt.
Cover for the left piping	Abdeckung für das linke Rohrleitungssystem
Cover for the right piping	Abdeckung für das rechte Rohrleitungssystem
Cover for piping	Abdeckung für das Rohrleitungssystem
Left back piping	Linkes rückseitiges Rohrleitungssystem
Left piping	Linkes Rohrleitungssystem
Rear-right piping	Rückseitiges rechtes Rohrleitungssystem
Right piping	Rechtes Rohrleitungssystem
Ponding box	Kanalkasten
Indoor unit	INNENGERÄT
Connective cable	Anschlusskabel
Pipe room	Rohrraum
Connective pipe	Anschlussrohr
Wrapping belt	Umhüllungsband
Cushioning material	Dämmmaterial
Drain hose	Ablaufschlauch
Upper Hook	Oberer Haken
Lower Hook	Unterer Haken

1 AUSSENBEREICH-MONTAGE SCHUTZMASSNAHMEN

- Montieren Sie das Außengerät auf einen festen Boden, damit sich der Geräuschpegel und die Vibrationen nicht erhöhen.
- Legen Sie die Luftauslassrichtung fest, wo die austretende Luft nicht blockiert wird.
- Falls die Montagestelle starkem Wind ausgesetzt ist, z. B. an der See, achten Sie darauf, dass der Lüfter richtig arbeitet, indem die die Einheit längs entlang der Wand legen. Oder Sie eine Staub- oder eine Schirmplatte.
- Besonders in windigen Gebieten, sollten Sie die Einheit so installieren, dass sie vor Windeinflüssen geschützt ist. Wenn Sie das Gerät aufhängen müssen, sollte die Montageklammer mit den technischen Anforderungen im Montageklammerschema übereinstimmen. Die Montagewand sollte aus solidem Stein, Beton sein oder dieselbe Intensität wie die Konstruktion haben, oder es sollten Maßnahmen zur Verstärkung oder zur Dämpfung unternommen werden.
- Die Verbindung zwischen den Klammern und der Wand und den Klammern der Klimaanlage sollten fest, stabil und zuverlässig sein.
- Achten Sie darauf, dass sich keine Hindernisse dort befinden, die die Luftzirkulation behindern.



Unkorrekt
Starker Wind

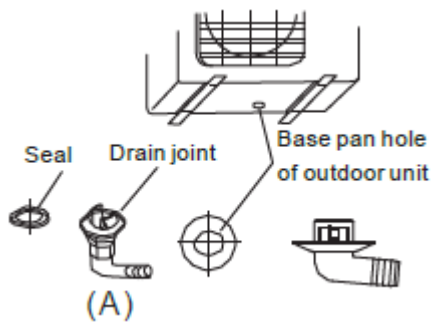
Korrekt
Absperrung
Starker Wind

2 MONTAGE DES ABLAUFSCHLAUCHES

HINWEIS: Der Ablaufschlauch unterscheidet sich etwas von dem anderen Außengerät.

Für den Ablaufschlauch mit der Dichtung (Abb. A), befestigen Sie die Dichtung an den Ablaufschlauch. Danach fügen Sie dem Ablaufschlauch in das Bodenwanne Loch des Außengerätes, drehen es um 90°, damit es sicher montiert wird.

Damit Sie den Ablaufschlauch, wie in Abb. B gezeigt, anschließen können, montieren Sie den Ablaufschlauch in das Bodenwanne Loch bis er fest fixiert ist und einrastet. Verbinden Sie den Ablaufschlauch mit einer Verlängerung für den Ablaufschlauch, falls Wasser aus dem Außengerät während des Heizmodus austritt.



Dichtung
 Ablaufschlauch
 Auslasswanne des Außengerätes

3 KÜHLMITTELROHRLEITUNGSVERBINDUNG

Gratentfernung

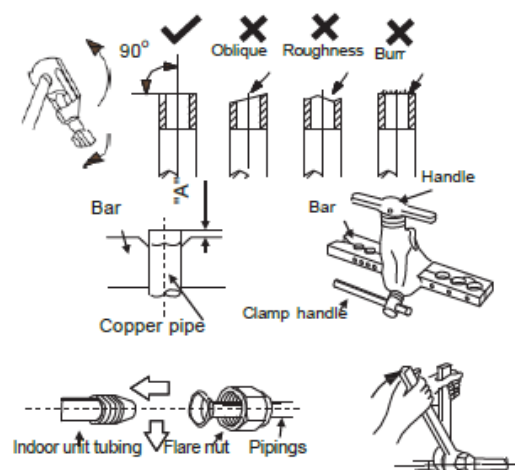
1. Entfernen Sie mit einer Gratahle alle Grate am Rohr.
2. Schieben Sie Überwurfmuttern auf die Rohre, damit Sie eine vollständige Entgratung erzielen und entgraten Sie die Rohre.
3. Schieben Sie ein Kupferrohr fest in ein Bördel-Gerät mit den Maßen, wie sie in der Tabelle unten aufgeführt sind.

Außendurchmesser (mm)	A(mm)	
	Max.	Min.
6,35	1,3	0,7
9,52	1,6	1,0
12,7	1,8	1,0
16	2,2	2,0

Anziehen der Verschraubungen

Richten Sie die Rohre, die angeschraubt werden sollen, aus.
 Drehen Sie die Überwurfmuttern mit den Fingern genügend fest. Danach drehen Sie mit einem Drehmomentschlüssel wie abgebildet.

Übermäßige Kraftanwendung bei der Benutzung des Drehmomentschlüssels kann die Überwurfmuttern beschädigen.

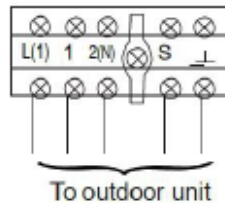


Oblique	Schräg
Roughness	Rauigkeit
Burr	Grat
Handle	Griff
Bar	Gitterstange
Bar	Gitterstange
Copper pipe	Kupferrohr
Clamp handle	Klemmgriff
Indoor unit tubing	Innengerät-Rohrleitungen
Flare nut	Überwurfmutter
Pipings	Rohrleitungssystem

4 VERBINDEN DES KABELS AN DIE AUSSENEINHEIT

1. Entfernen Sie die elektrische Schalttafelabdeckung von der Außeneinheit, indem Sie die Schraube lösen.
2. Verbinden Sie die Verbindungskabel an die Klemmen entsprechend der jeweiligen richtigen Nummern auf den Klemmleisten der Innen- und der Außeneinheit.
3. Sichern Sie das Kabel, das zum Kontrollpaneel führt, mit der Kabelklemme.
4. Damit Sie einen Wassereintritt verhindern, bilden Sie eine Schlaufe mit dem Verbindungskabel wie dies im Montagediagramm der Innen- und der Außeneinheit abgebildet ist.
5. Kleben Sie ein PVC-Klebeband um die ungenutzten Leitungen (Stromleiter). Auf diese Art und Weise berühren sie keine elektrischen Teile oder Metallteile.

Terminal block of indoor unit



Klemmleisten des Außengerätes

Abdeckung
Schraube

Zur Inneneinheit
Spannungsversorgung

5. LUFTSTROM UND FUNKTIONSTEST

1. Luftstrom

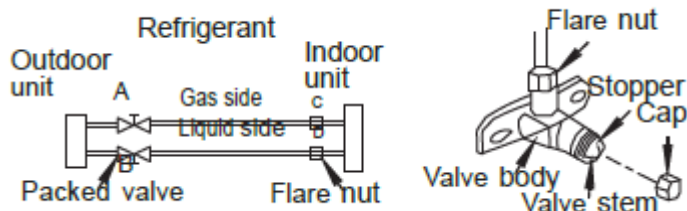
- Die Inneneinheit und das Rohrleitungssystem zwischen der Innen- und der Außeneinheit müssen bezüglich des Wasserdrucks geprüft werden. Darüber hinaus müssen nicht-kondensierbare Stoffe und Feuchtigkeit aus dem System entfernt werden.
- Überprüfen Sie, dass jedes Rohr (beide flüssigkeits- und gaseitigen Rohre) zwischen der Innen- und der Außeneinheit ordnungsgemäß angeschlossen sind und alle Leitungen für den Testlauf vollständig sind.
- Die Rohrlänge und die Kühlmittelmenge:

Verbindungsrohrlänge	Luftstrommethode	Zusätzliches Kühlmittel muss nachbestellt werden	
Weniger wie 5 m	Verwenden Sie eine Vakuumpumpe		
Mehr als 5 m	Verwenden Sie eine Vakuumpumpe	Flüssigkeitsseite: φ6.35mm R32: (Rohrlänge-5) x 12g/m R410A: (Rohrlänge-5) x 20g/m	Flüssigkeitsseite: φ9.52mm: R32: (Rohrlänge-5) x 24g/m R410A: (Rohrlänge-5) x 40g/m

Bei dem R410A Kühlmittelmodell achten Sie bitte darauf, dass das Kühlmittel, dass Sie für Ihre Klimaanlage verwenden auf jeden Fall in flüssiger Form ist. Wenn Sie die Einheit an einen anderen Platz stellen, verwenden Sie eine Vakuumpumpe, damit Sie die Entleerung vornehmen können.

WARNUNG

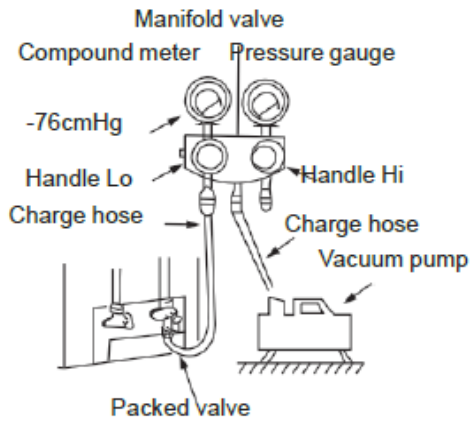
- Öffnen Sie den Ventilschaft bis er gegen den Stopper stößt. Öffnen Sie ihn nicht weiter.
- Ziehen Sie die Ventilschaftkappe mit einem Schraubenschlüssel oder ähnlichem an
- Ziehen Sie den Ventilschaft bis zum Drehmoment. Beachten Sie die Anzugsdrehmoment-Tabelle.



Refrigerant	Kühlmittel
Outdoor unit	Außengerät
Indoor unit	INNENGERÄT
Gas side	Gasseite
Liquid side	Flüssigkeitsseite
Packed valve	Füllventil
Flare nut	Überwurfmutter
Flare nut	Überwurfmutter
Stopper	Stopper
Cap	Kappe
Valve body	Ventilgehäuse
Valve stem	Ventilschaft

2. Verwendung der Vakuumpumpe

1. Ziehen Sie die Überwurfmutter A, B, C, D, vollständig an. Verbinden Sie die Verteilerventil mit dem Zufuhrschlauch zum Füllstutzen des Füllventiles des Gasrohres.
2. Verbinden Sie Schlauchanschluss mit der Vakuumpumpe.
3. Öffnen Sie vollständig den Ablasshahn von der Verteilerventil.
4. Lassen Sie die Vakuumpumpe das Gerät entleeren. Nach dem Beginn der Evakuierung lösen Sie geringfügig die Überwurfmutter des unteren Ventils des Gasrohres und stellen Sie sicher, dass die Luft entwichen ist. (Das Arbeitsgeräusch der Vakuumpumpe wechselt und der Messapparat zeigt 0 anstatt Minus an)
5. Wenn die Evakuierung beendet ist, schließen Sie völlig den Ablasshahn der Verteilerventil und stoppen Sie die Vakuumpumpe.
Überprüfen Sie, ob das Messgerät -76 cm Hg (-1x10⁵ PA) anzeigt.
6. Drehen Sie die Kappe des Ventils B um 45° entgegen dem Uhrzeigersinn für 6–7 Sekunden nachdem das Gas ausgetreten ist. Achten Sie darauf, dass die Druckanzeige etwas höher ist als der Umgebungsdruck.
7. Entfernen Sie den Zufuhrschlauch vom Füllventiles.
8. Öffnen Sie völlig die Klappen der Ventile B und A.
9. Ziehen Sie den Deckel des Niederdruckventils ab.



Manifold valve	Verteilventil
Compound meter	Mischungsmesser
Pressure gauge	Druckmessgerät
-76cmHg	-76 cm Hg
Handle Lo	Ablasshahn
Handle Hi	Einfüllhahn
Charge hose	Füllschlauch
Charge hose	Füllschlauch
Vacuum pump	Vakuumpumpe
Packed valve	Füllventil

3. Sicherheits- und Dichtheitsprüfetest

1. Seifenwassermethode:

Geben Sie mit einem feinen Pinsel Seifenwasser oder ein flüssiges Reinigungsmittel auf den Innengeräteanschluss und den Außengeräteanschluss, damit Sie die Dichtigkeit der Verbindungsstellen der Rohrleitungen prüfen können. Wenn Blasen entstehen, zeigt dies an, dass ein Leck vorhanden ist.

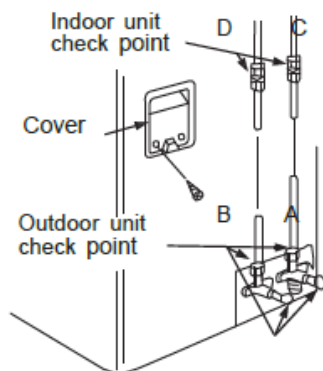
2. Dichtheitsprüfgerät

Verwenden Sie ein Dichtheitsprüfgerät, damit Sie auf mögliche Lecks überprüfen können.

WARNUNG

A: Ablassventil B: Einlassventil

C und D sind die Enden des Innengeräteanschlusses.



Indoor unit check point	Innengerätetestpunkte
Cover	Abdeckung
Outdoor unit check point	Außengerätetestpunkte

4. Lauftest Sicherheitsüberprüfung

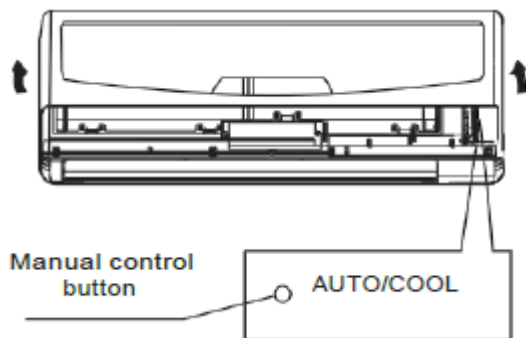
Überprüfen Sie, ob alle Rohre und Leitungen ordnungsgemäß angeschlossen sind.
Überprüfen Sie, ob die Gas- und Flüssigkeitsserviceventile vollständig geöffnet sind.

1. Schließen Sie das Gerät an das Stromnetz an, drücken Sie den ON/OFF-Taste an der Fernbedienung, um das Gerät einzuschalten.

2. Verwenden Sie die MODE-Taste, damit Sie COOL, HEAT, AUTO und FAN auswählen können und überprüfen Sie, ob alles ordnungsgemäß funktioniert.

3. Wenn die Umgebungstemperatur zu niedrig ist (niedriger wie 17°C), kann die Einheit nicht per Fernbedienung bedient werden, um den Kühlmodus zu starten. Manuelle Bedienungen können vorgenommen werden. Manuelle Bedienungen sind nur möglich, wenn die Fernbedienung außer Betrieb ist oder eine Wartung nötig ist. Öffnen Sie die Frontabdeckung und heben Sie diese bis zu einem bestimmten Winkel an. Heben Sie diese nur solange hoch bis ein Klicken ertönt. Drücken Sie die manuelle Betriebstaste, damit Sie AUTO oder COOL auswählen können. Die Einheit wird im AUTO- oder COOL-Modus arbeiten (siehe bitte Betriebsanleitung für Einzelheiten).

4. Der Testbetrieb sollte mindestens 30 Minuten dauern.



Manuelle Bedientaste
AUTO/COOL

Airwell

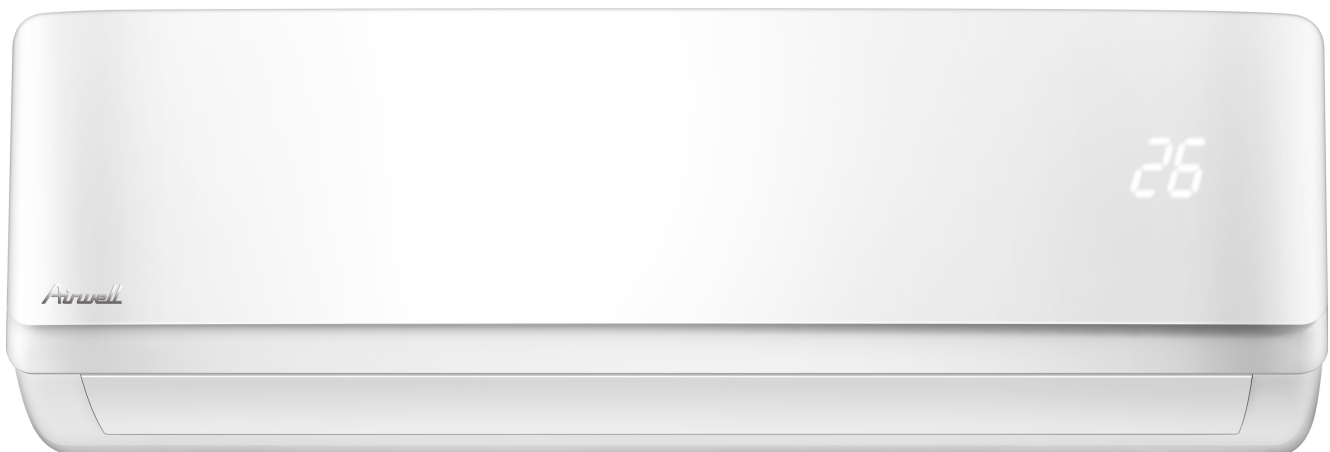
Just feel well

Installation Manual

HDH High Wall

R32

Manuale di installazione



IMPORTANT NOTE:

Read this manual carefully before installing or operating your new air conditioning unit. Make sure to save this manual for future reference.

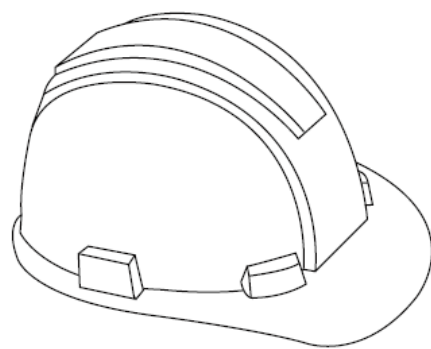
SOMMARIO

0 Precauzioni di sicurezza

1 Accessori

2 Schema di installazione - Unità interna

3 Componenti dell'unità



4 Installazione unità interna

Selezionare la posizione di installazione

Fissare la piastra di installazione alla parete

Foro nella parete per il passaggio tubazioni

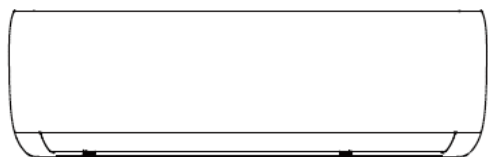
Preparazione tubazioni refrigerante

Collegamento tubo di scarico

Collegamenti elettrici

Isolamenti delle tubazioni e cavi

Fissaggio unità interna



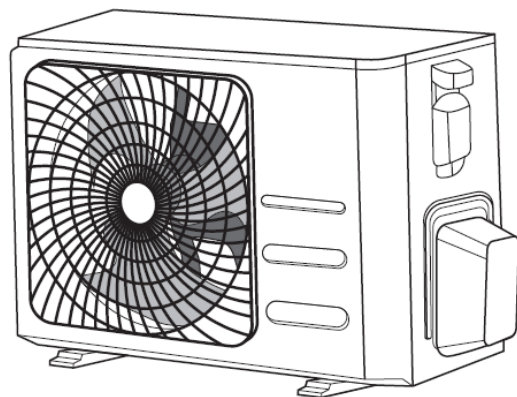
5 Installazione unità esterna

Selezionare la posizione di installazione

Installare la giunzione di drenaggio

Fissare l'unità esterna

Collegare il cavo di segnale e il cavo di alimentazione



SOMMARIO

6 Collegamento tubazioni del circuito frigorifero

Nota sulla lunghezza delle tubazioni

Istruzioni di collegamento delle tubazioni del refrigerante

Tagliare le tubazioni

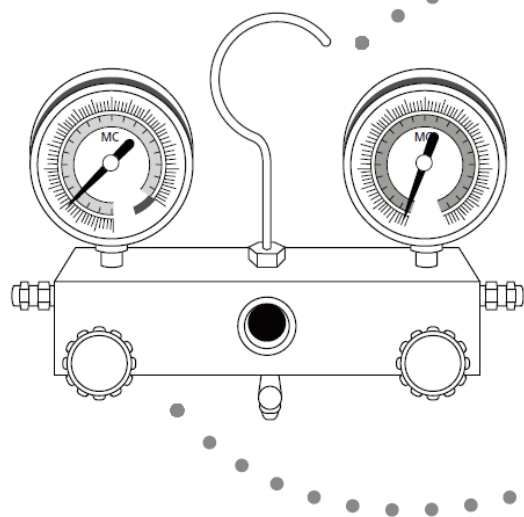
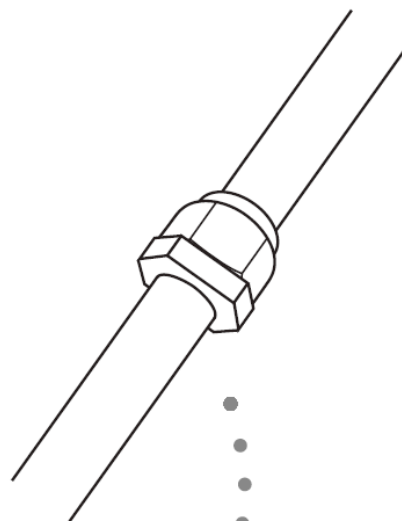
Rimuovere le bave

Flangiatura dell'estremità delle tubazioni

Collegamento delle tubazioni



Attenzione: Rischio di incendio

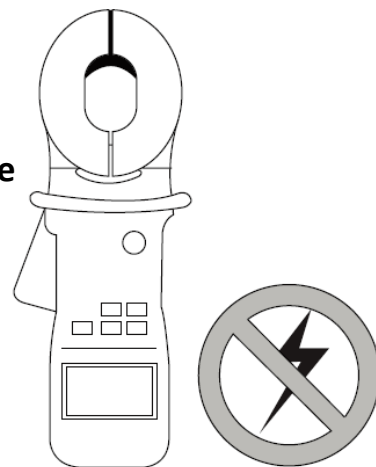


7 Evacuazione

Preparazione e precauzioni

Istruzioni per l'evacuazione

Nota su refrigerante aggiuntivo



8 Controllo connessioni elettriche e perdite refrigerante

9 Test di funzionamento

10 Smaltimento del prodotto

11 Informazioni sull'assistenza

0 Precauzioni di sicurezza

Leggere le istruzioni sulla sicurezza prima dell'installazione

La non corretta installazione dovuta alla mancata osservanza delle istruzioni può causare gravi danni o lesioni. La gravità del danno o delle lesioni è classificata come PERICOLO o ATTENZIONE.



Questo simbolo indica che la mancata osservazione delle istruzioni può causare ferite o gravi lesioni.



Questo simbolo indica che la mancata osservazione delle istruzioni può causare lesioni, oppure danni all'apparecchio o a cose.



Questo simbolo indica il divieto di compiere l'azione indicata.

 **Non** alterare di alimentazione né utilizzare prolunghe per alimentare l'unità.

Non collegare altri apparecchi alla stessa linea utilizzata dal condizionatore. Collegamenti elettrici scadenti e isolamento o voltaggio insufficiente possono causare incendi o scosse elettriche.



Durante il collegamento delle tubazioni del refrigerante, **non** lasciare che altre sostanze o gas diversi dal fluido refrigerante specificato penetrino nell'unità. La presenza di gas o sostanze diverse può diminuire la prestazione dell'unità e causare un anomalo aumento di pressione nel circuito frigorifero. Ciò può provocare esplosioni e lesioni.



Non permettere ai bambini di giocare con il condizionatore. I bambini devono trovarsi sempre sotto la supervisione di un adulto nelle prossimità dell'unità.

- L'installazione deve essere eseguita da un tecnico abilitato certificato secondo le normative vigenti nel luogo di installazione. La non corretta installazione può causare perdite d'acqua, scosse elettriche o incendio.
- L'installazione deve essere eseguita seguendo le istruzioni per l'installazione. La non corretta installazione può causare perdite d'acqua, scosse elettriche o incendio.
- Contattare un tecnico autorizzato per la riparazione e la manutenzione di questa unità.
- Utilizzare solo gli accessori e le parti incluse e specificate per l'installazione. L'utilizzo di parti non originali può causare scosse elettriche o incendio oltre che causare danni o il malfunzionamento dell'unità.
- Installare l'unità su una superficie solida, che possa sostenere il suo peso. Se la superficie scelta non può sostenere il peso dell'unità o l'installazione non viene eseguita correttamente, l'unità può cadere e causare gravi lesioni e danni.
- Non utilizzare dispositivi o mezzi non ammessi dal produttore per accelerare i processi di sbrinamento o per rimuovere il ghiaccio dagli scambiatori di calore.
- Il prodotto deve essere conservato in ambienti chiusi privi di potenziali fonti di innesco (Es. fiamme libere, riscaldatori elettrici o a gas, etc.).
- Non perforare e bruciare le unità.
- L'unità deve essere conservata in ambienti ben ventilati il cui volume corrisponde a quello previsto per il funzionamento.
- Il fluido refrigerante contenuto nel prodotto è inodore.

0 Precauzioni di sicurezza






Pericolo

- **Tutti gli interventi sui componenti elettrici devono essere svolti in conformità alle normative ed agli standard di cablaggio vigenti nel territorio di installazione, oltre che a quanto riportato nel presente manuale. È indispensabile utilizzare un circuito di alimentazione indipendente dedicato al prodotto. Non collegare altri apparecchi alla stessa linea di alimentazione. Collegamenti elettrici scorretti o voltaggio insufficiente possono causare scosse elettriche o incendi.**
- **Tutti gli interventi sui componenti elettrici devono essere eseguiti con cavi di tipo raccomandato. Collegare e fissare i cavi saldamente per evitare che forze esterne possano danneggiare i terminali a vite. Collegamenti elettrici scadenti possono causare il surriscaldamento dell'unità. Ciò può provocare scosse elettriche o incendi.**
- **Tutti i cavi devono essere disposti accuratamente per assicurare che il quadro elettrico possa chiudersi correttamente. Se il coperchio del quadro elettrico non è chiuso correttamente, possono verificarsi fenomeni di corrosione e si può determinare il surriscaldamento delle morsettiere, che possono prendere fuoco o causare scosse elettriche.**
- **In particolari ambienti di funzionamento, come cucine, sale server, luoghi dove sono conservate opere d'arte, etc. si consiglia di utilizzare unità di condizionamento specificamente progettate per operare in simili contesti.**
- **Se i conduttori o i cavi elettrici sono danneggiati, devono essere sostituiti da personale qualificato con componenti approvate dal costruttore. Il mancato rispetto di questa prescrizione può causare danni al prodotto determinare rischio di incendio.**
- **Questo prodotto può essere utilizzato da bambini di età superiore a 8 anni e da persone con ridotte capacità fisiche sensoriali o mentali solo se sono supervisionate o se sono state istruite riguardo l'uso del prodotto e le norme di sicurezza connesse all'impiego del prodotto stesso. I bambini non dovrebbero giocare con questo prodotto. La pulizia e la manutenzione del prodotto non dovrebbe essere eseguita da bambini o persone inabili senza adeguata supervisione.**



Pericolo

-  **In caso di modelli dotati di riscaldatori elettrici, non installare le unità se non a distanza superiore ad un metro da qualunque materiale infiammabile.**
-  **Non installare il prodotto in un ambiente dove possono essere presenti gas combustibili o infiammabili. Se gas combustibili o infiammabili si accumulano in prossimità del prodotto, si possono generare incendi o esplosioni.**
-  **Non utilizzare il prodotto in ambienti dove è presente elevata umidità e dove è possibile il contatto con acqua, come ad esempio nei bagni o nelle lavanderie. L'accumulo di umidità e acqua nel prodotto può causare danni e determinare rischio di scosse elettriche.**
- **Il prodotto deve essere collegato a terra: in caso contrario si possono determinare scosse elettriche.**
- **Realizzare correttamente le condotte di scarico del liquido di condensa: il mancato rispetto di questa prescrizione può causare perdite e danni alle cose.**

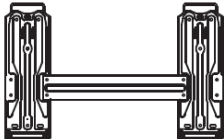




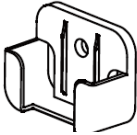
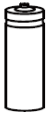

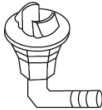
0 Precauzioni di sicurezza

Nota sui refrigeranti fluorurati



- Questo prodotto è classificato come unità non ermeticamente sigillata contenente refrigeranti fluorurati ad effetto serra, da cui dipende il suo funzionamento.
- Per il tipo di refrigerante contenuto e la relativa quantità, fare riferimento all'etichetta del prodotto.
- La manutenzione, l'assistenza e la riparazione del prodotto possono essere svolte esclusivamente da personale qualificato secondo le normative di legge vigenti.
- Lo smaltimento e la demolizione del prodotto possono essere svolte esclusivamente da personale qualificato secondo le normative di legge vigenti.
- In nessun caso l'utente deve cercare di intervenire sul circuito frigorifero o di disassemblare il prodotto.
- In relazione alla quantità di refrigerante presente nel prodotto, può essere necessaria una verifica annuale dell'impianto, volta ad accertare l'assenza di perdite e la compilazione di un apposito registro dove sono annotate le verifiche e le attività svolte.

1 Accessori

Il prodotto è fornito con i seguenti accessori a corredo. Utilizzare le parti fornite e gli accessori per l'installazione. La non corretta installazione può causare scosse elettriche, incendio, oppure danneggiare il dispositivo.

Descrizione	Immagine	Quantità
Piastra di installazione		1
Tassello		5
Vite ST3.9 x 25mm		5
Telecomando		1
Vite ST2.9 x 10mm (Opzionale)		2
Porta telecomando (Opzionale)		1
Batterie AAA LR03		2
Guarnizione		1
Raccordo scarico		1

1 Accessori

Descrizione	Immagine	Quantità	
Manuale telecomando		1	
Manuale di installazione		1	
Connecting pipe assembly	Liquid side	Φ 6.35(1/4in)	Parts you must purchase. Consult the dealer about the pipe size.
		Φ 9.52(3/8in)	
	Gas side	Φ 9.52(3/8in)	
		Φ 12.7(1/2in)	
		Φ 16(5/8in)	
Φ 19(3/4in)			



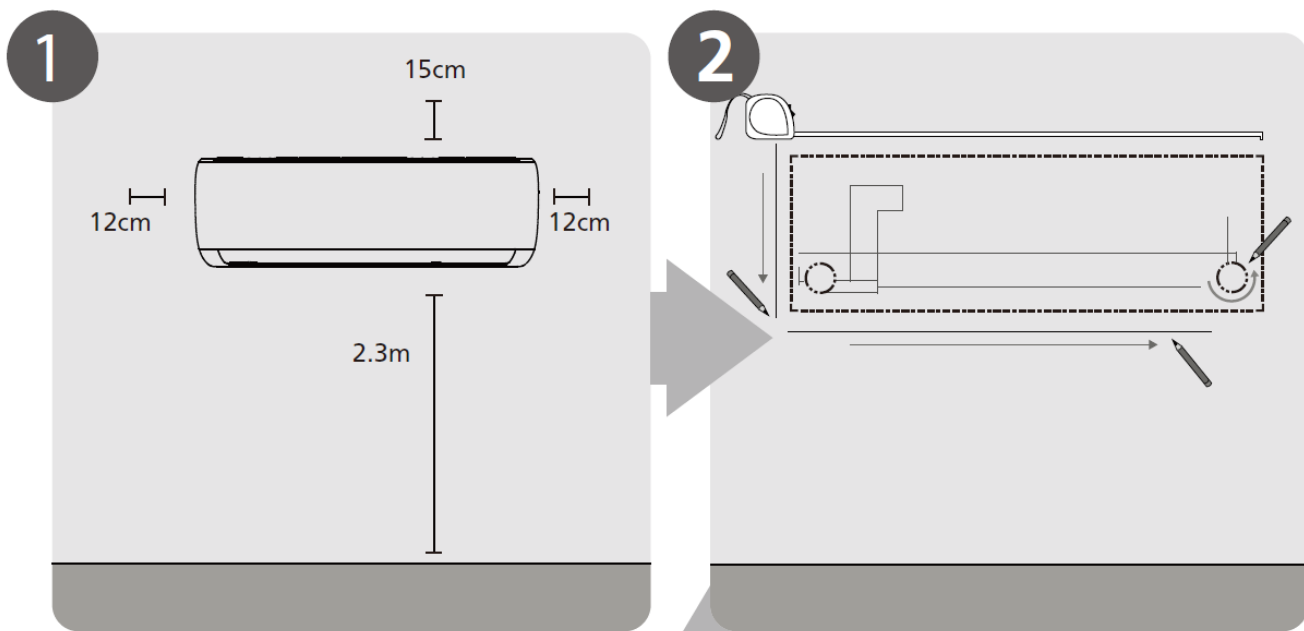
Pericolo

L'unità deve essere conservata in ambienti ben ventilati il cui volume corrisponde a quello previsto per il funzionamento.

Le unità che impiegano fluido refrigerante R32 devono essere conservate ed installate poste in esercizio in ambienti con superficie superiore a 4m².

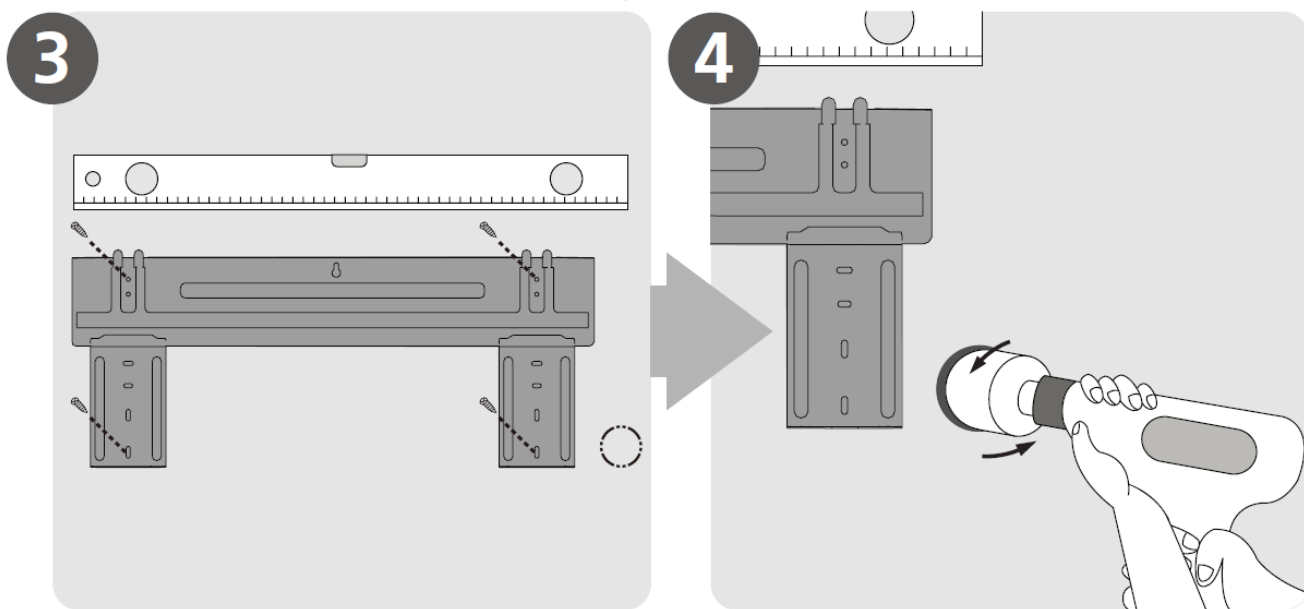
In caso di ambienti privo di ventilazione, o di superficie inferiore a quella indicata, non procedere all'installazione del prodotto.

2 Schema installazione - Unità interna -



Selezione del luogo di installazione

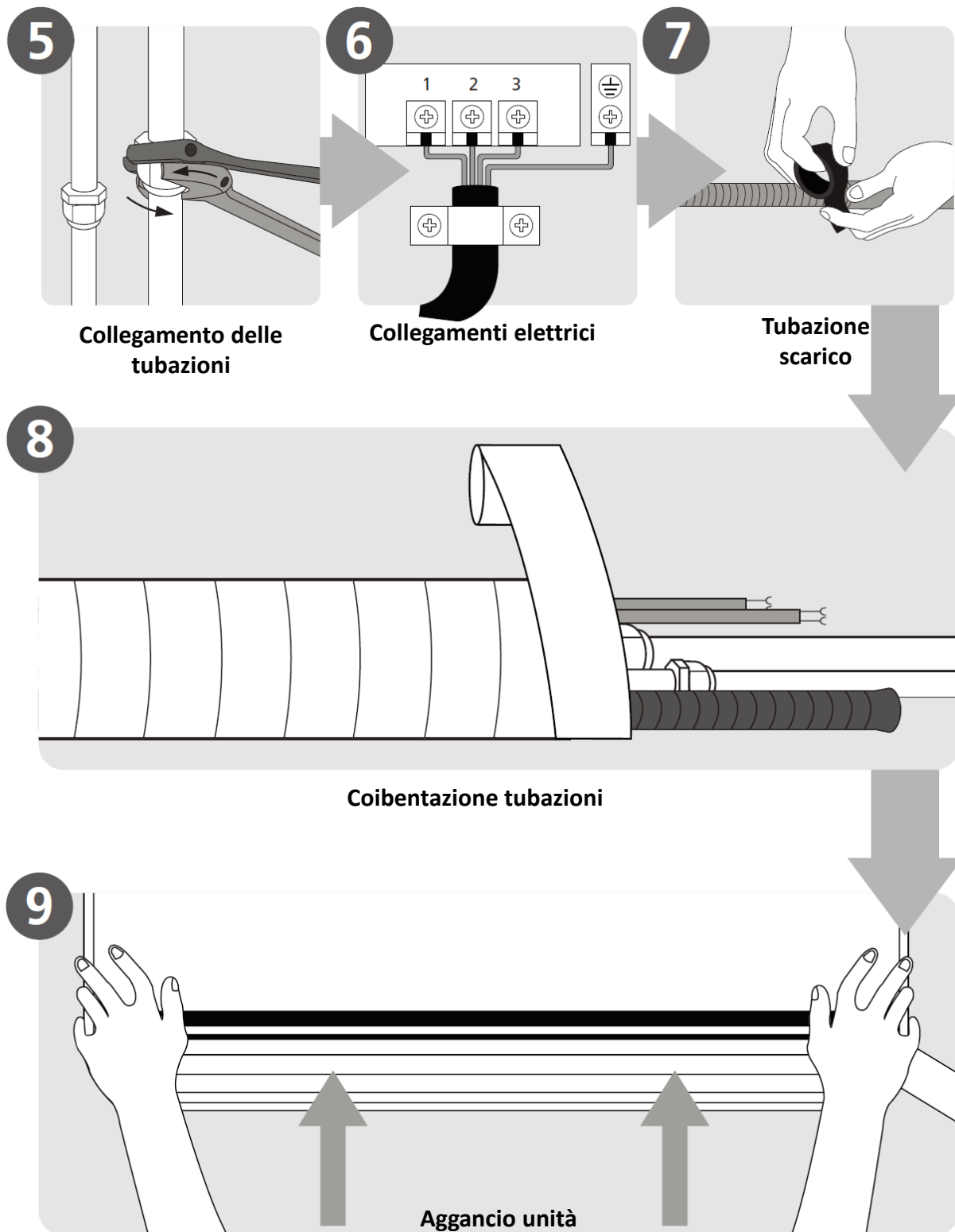
Definizione della posizione sulla parete



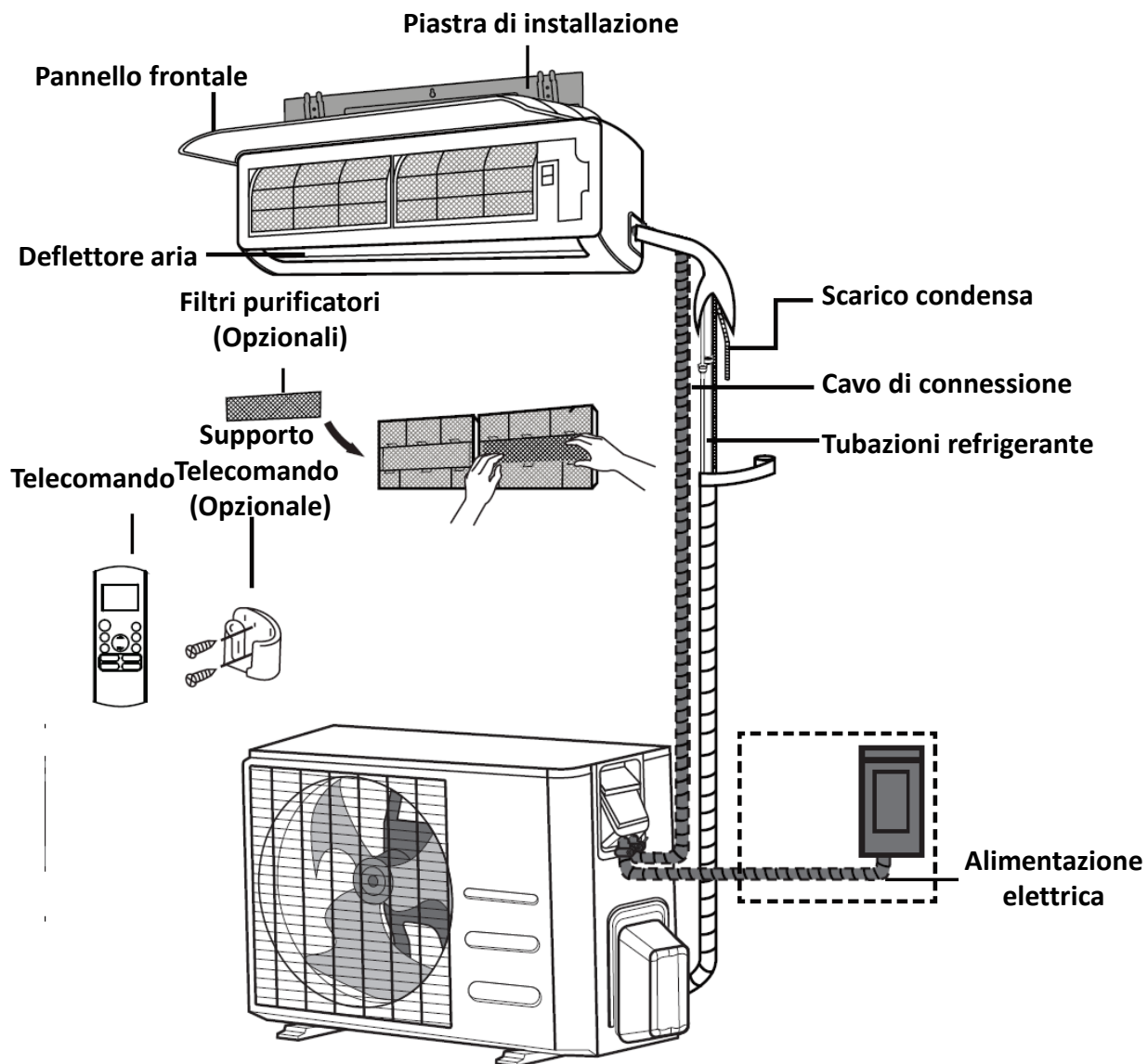
Applicazione della piastra di installazione

Realizzazione del foro sulla parete

2 Schema installazione - Unità interna -



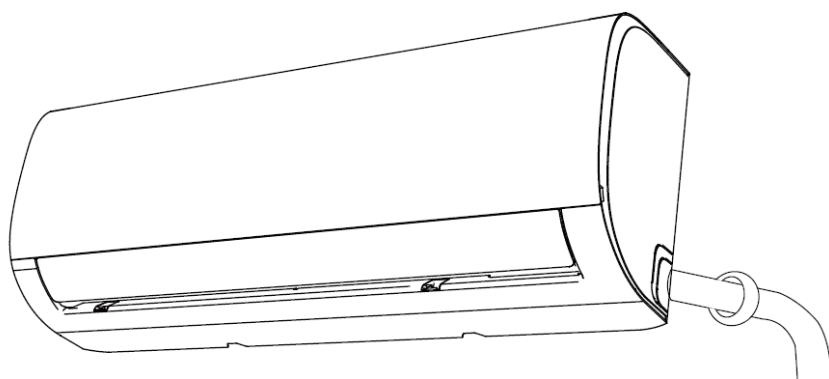
3 Componenti delle unità



NOTA SULLE ILLUSTRAZIONI

I disegni e le illustrazioni riportate nel presente manuale hanno carattere illustrativo. La forma, le dimensioni o l'aspetto delle unità commercializzate possono differire da quanto riportato in questo volume.

4 Installazione unità interna



Installazione unità interna

Prima di installare l'unità interna, fare riferimento all'etichetta sulla scatola del prodotto. Assicurarsi che il numero dell'unità interna corrisponda a quello dell'unità esterna.

Selezionare la posizione di installazione

Prima dell'installazione dell'unità interna, è necessario scegliere una posizione appropriata. Le condizioni elencate di seguito sono da considerare per scegliere la posizione più appropriata per l'unità.

La posizione adatta all'installazione dell'unità interna deve rispettare queste condizioni:

- Garantire buona circolazione dell'aria
- Consentire drenaggio appropriato
- Il rumore prodotto dall'unità non deve disturbare altre persone
- Deve offrire una superficie stabile e solida, non deve vibrare
- Deve essere abbastanza robusta da sopportare il peso dell'unità
- Avere una distanza minima di un metro da altri dispositivi elettrici (es. TV, radio, computer)

Non installare l'unità in queste condizioni:

- Nei pressi di una fonte di calore, vapore o gas combustibile
- Nei pressi di oggetti combustibili, come tende o tessuti
- Nei pressi di ostacoli che possono bloccare la circolazione dell'aria
- Nei pressi di una porta
- Esposta alla luce solare

NOTA sul foro nella parete

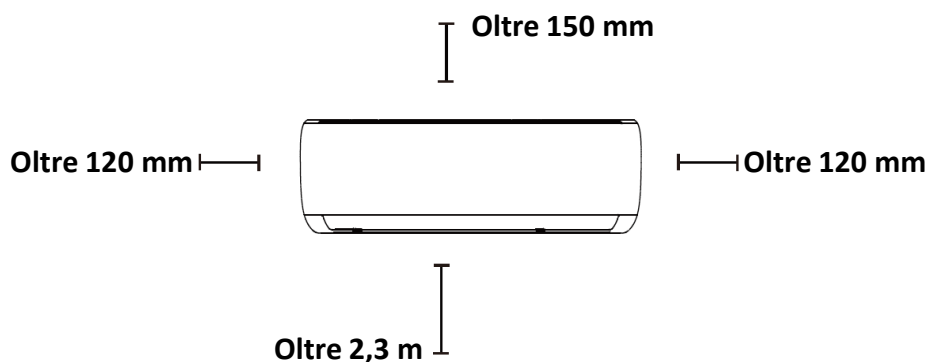
Durante la scelta della posizione, assicurarsi che ci sia spazio sufficiente da destinare al foro nel muro (vedere il paragrafo Effettuare il foro nel muro per i tubi di collegamento) per il cavo di collegamento e le tubazioni del refrigerante che collegano le unità interna ed esterna.

La posizione predefinita per tutti i tubi è alla destra dell'unità interna (considerando di essere fronte all'unità)

I tubi possono comunque essere posizionati sia a destra che a sinistra dell'unità.

4 Installazione unità interna

Mantenere le seguenti distanze di rispetto dal prodotto ad eventuali ostacoli



Montaggio della piastra di installazione

La piastra di installazione è il dispositivo a cui fissare l'unità interna.

Estrarre la piastra di montaggio, che è imballata assieme all'unità interna.

Posizionare la piastra di montaggio contro la parete, in una posizione che rispetti quanto indicato nel passaggio "Selezionare la posizione di installazione" (consultare Dimensioni della piastra di montaggio per informazioni dettagliate sulle dimensioni della piastra di montaggio).

Eseguire i fori per le viti della piastra di montaggio in posizioni che:

- Siano solide tanto da supportare il peso dell'unità,
- Corrispondano ai fori per le viti presenti sulla piastra di montaggio.

Fissare la piastra di montaggio alla parete con le apposite viti.

Assicurarsi che la piastra di montaggio aderisca alla parete.

In caso di pareti in mattoni o in cemento, utilizzare i tasselli di fissaggio forniti a corredo con le apposite viti per ancorare la piastra alla parete.

Foro nella parete per passaggio tubazioni

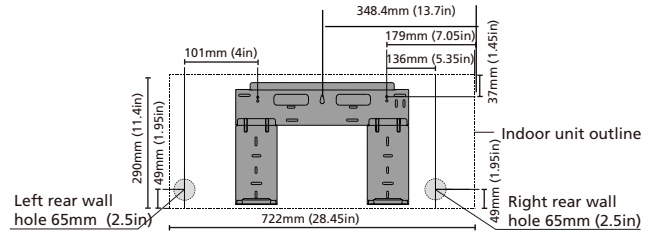
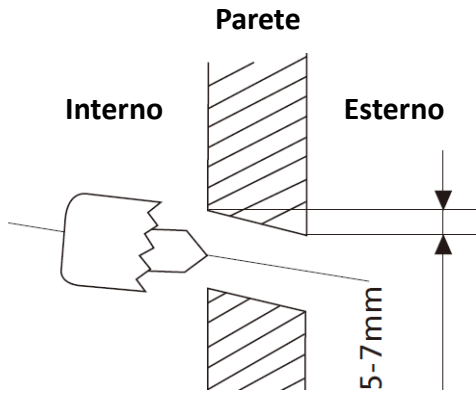
È necessario effettuare un foro nella parete per alloggiare le tubazioni del refrigerante, il tubo di scarico e il cavo di collegamento tra l'unità interna e quella esterna.

Scegliere la posizione in cui eseguire il foro basandosi sulla posizione della piastra di montaggio. Fare riferimento alla sezione Dimensioni della piastra di montaggio nella prossima pagina per determinare la posizione ottimale. Il foro nella parete deve trovarsi ad almeno 65cm di distanza da uno dei lati dell'unità e ad inclinazione leggermente inferiore, per facilitare il drenaggio.

Usare un trapano con punta da 65mm per eseguire un foro sulla parete. Assicurarsi che il foro sia eseguito con un'angolazione leggermente discendente, così che la parte finale del foro dal lato dell'unità esterna si trovi più in basso rispetto alla parte finale dal lato dell'unità interna di circa 5-7mm. Ciò assicura un adeguato drenaggio dell'acqua.

Posizionare il rivestimento protettivo all'interno del foro. Il rivestimento protegge i bordi del foro e favorisce il sigillatura al termine del processo di installazione.

4 Installazione unità interna

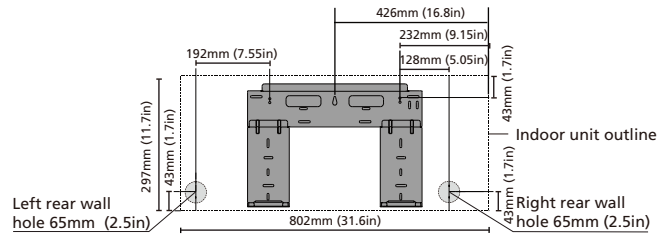


Model 9

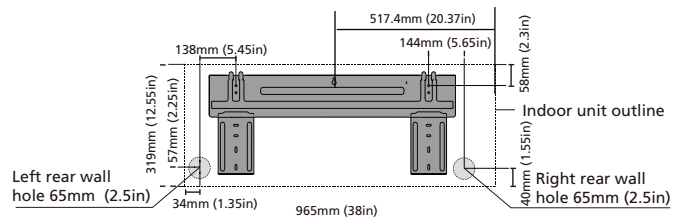
Dimensioni della piastra di installazione

Assicurarsi di avere spazio sufficiente per assemblare l'unità interna; gli schemi a destra mostrano la piastra di montaggio con le seguenti dimensioni annotate:

- Larghezza della piastra di montaggio
- Altezza della piastra di montaggio
- Larghezza dell'unità interna, relativa alla piastra di montaggio
- Altezza dell'unità interna, relativa alla piastra di montaggio
- Posizione consigliata del foro sulla parete (sia alla destra che alla sinistra della piastra di montaggio)
- Distanze relative tra i fori sulla parete

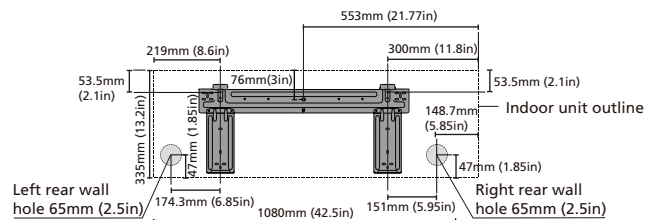
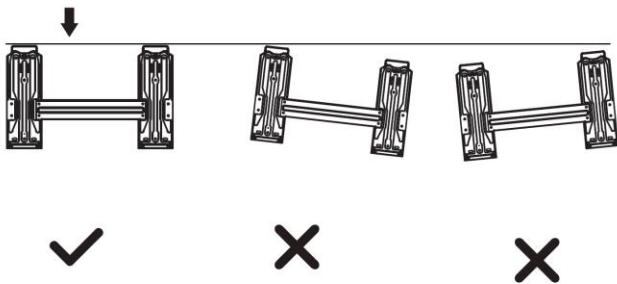


Model 12



Model 18

Corretta posizione della piastra di installazione



Model 24

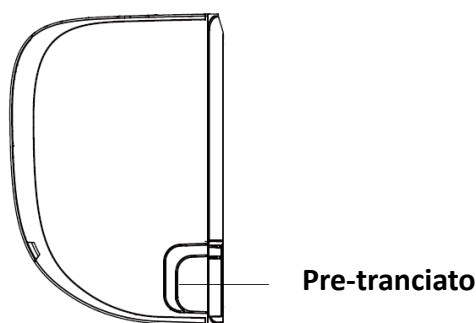
4 Installazione unità interna

Preparazione tubazioni refrigerante

Le tubazioni del refrigerante si trovano all'interno di una guaina isolante fissata al retro dell'unità. È necessario preparare il tubo prima di inserirlo nel foro della parete. Fare riferimento alla sezione Collegamento tubazioni del refrigerante per istruzioni dettagliate su come svasare il tubo sulle altre informazioni per l'installazione.

A seconda della posizione del foro sulla parete relativo alla piastra di installazione, scegliere il lato dell'unità da cui far fuoriuscire il tubo.

Se il foro sulla parete si trova dietro l'unità, mantenere il pretranciato per il passaggio tubazioni in posizione. Se il foro sulla parete è su un lato dell'unità interna, rimuovere il pretranciato per il passaggio tubazioni in plastica da quel lato (vedere fig.) Ciò renderà disponibile una fessura da cui far fuoriuscire le tubazioni. Utilizzare delle pinze o in caso non sia possibile rimuovere manualmente il pretranciato in plastica.



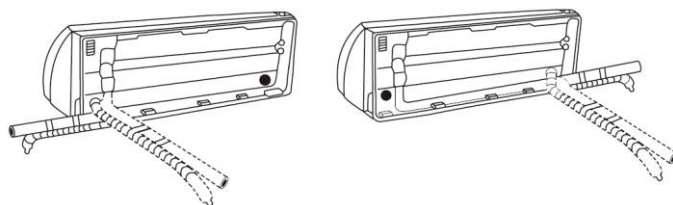
Utilizzare delle forbici per tagliare la guaina isolante per il lungo, in modo da esporre circa 15cm di tubazioni del refrigerante. Questa operazione ha due scopi:

- Facilitare il Processo di collegamento delle tubazioni
 - Facilitare i controlli di perdite di refrigerante e permettere il rilevamento di eventuali danni
- Se sono presenti tubazioni predisposte nella parete, passare direttamente alla fase Collegamento delle tubazioni. Se non è già presente una tubazione all'interno della parete, collegare le tubazioni del refrigerante dell'unità interna alle tubazioni che la collegano all'unità esterna. Fare riferimento alla sezione Collegamento delle tubazioni di questo manuale per istruzioni dettagliate. Facendo riferimento alla posizione del foro sulla parete relativo alla piastra di installazione, determinare l'angolazione del tubo. Afferrare il tubo del refrigerante alla base della curvatura. Piegare il tubo verso la fessura lentamente, con una pressione leggera. Non intaccare né danneggiare il tubo durante il processo.

La tubazione del refrigerante può fuoriuscire dall'unità interna da quattro punti diversi:

- Lato frontale sinistro
- Lato posteriore sinistro
- Lato frontale destro
- Lato posteriore destro

Vedi figura sotto per informazioni



Prestare attenzione a non schiacciare o danneggiare le tubazioni durante la preparazione.

4 Installazione unità interne

Collegare il tubo di scarico

Alla consegna del prodotto, il tubo di scarico è collegato al lato sinistro dell'unità (vista posteriore).

Per garantire un drenaggio adeguato, collegare il tubo di scarico alla presa su uno dei due lati della vaschetta.

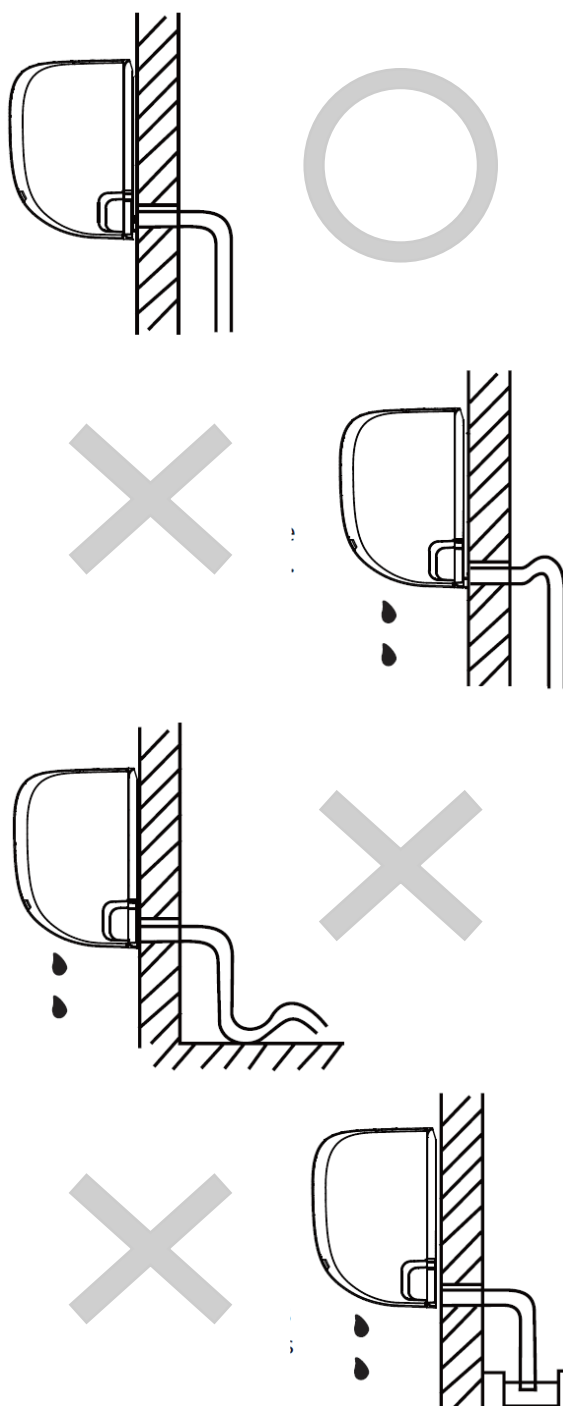
Se necessario, prolungare la tubazione di scarico con un tubo di scarico di tipo adatto (Da reperire localmente).

Avvolgere strettamente il punto di giunzione con del nastro isolante in teflon per assicurare una buona chiusura e prevenire perdite.

Ricoprire la porzione di tubo di scarico posizionata all'interno con dell'isolante per prevenire la formazione di condensa.

Rimuovere il filtro dell'aria e versare una piccola quantità di acqua nella vaschetta di scarico per assicurarsi che fluisca dall'unità senza intoppi.

- Non piegare eccessivamente il tubo di scarico.
- Non causare perdite di liquido della condensa
- Non porre la parte terminale della tubazione a contatto con l'acqua (Potrebbe risalire la tubazione per capillarità)



4 Installazione unità interne

Nota sui collegamenti elettrici

- Tutti i cablaggi elettrici devono essere realizzati in conformità alle normative vigenti nel luogo di installazione e devono essere realizzati da personale qualificato.
- Tutti i collegamenti elettrici devono essere eseguiti seguendo lo Schema dei collegamenti elettrici posizionato sui pannelli delle unità interna ed esterna.
- In caso di anomalie di funzionamento o sospetti di malfunzionamento potenzialmente pericoloso, interrompere immediatamente le operazioni. Spiegare le motivazioni al cliente e rifiutare di installare l'unità fino alla completa risoluzione del problema di sicurezza.
- La tensione di alimentazione deve essere tra il 90% e il 100% della tensione nominale. Una tensione insufficiente può causare malfunzionamento, scosse elettriche o incendio.
- Se l'alimentazione è connessa a un cablaggio fisso, installare un interruttore automatico con protezione magnetotermica e differenziale di capacità pari alla massima potenza elettrica assorbita dal prodotto.
- Collegare l'unità unicamente a una derivazione di circuito singola. Non collegare altri dispositivi alla derivazione.
- Assicurarsi che il condizionatore abbia una corretta messa a terra.
- Tutti i cavi devono essere collegati saldamente. Cavi allentati possono causare il surriscaldamento del terminale. Ciò può provocare malfunzionamenti e incendi.
- I cavi non devono toccare o entrare in contatto con le tubazioni del refrigerante, con il compressore né con alcuna parte mobile all'interno dell'unità.
- Se l'unità è dotata di un riscaldatore elettrico, il prodotto deve essere installato ad almeno 1 metro da qualsiasi materiale combustibile.

Prima di eseguire qualunque operazione sul prodotto, rimuovere l'alimentazione elettrica.

4 Installazione unità interne

Cablaggio elettrico

Il cavo di collegamento mette in comunicazione le unità interna ed esterna. È necessario scegliere un cavo di dimensione corretta prima di prepararlo per il collegamento.

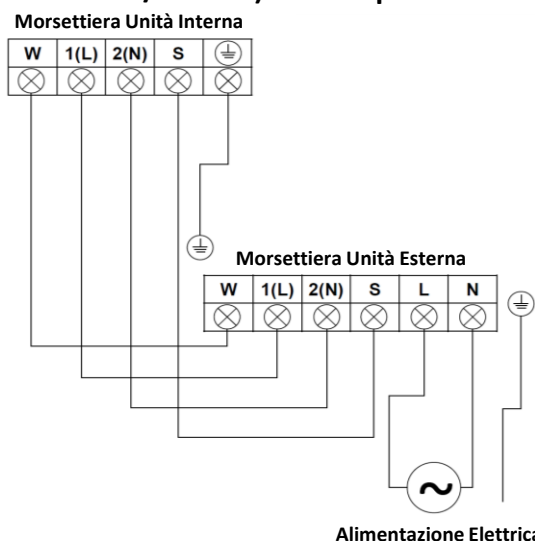
Utilizzare cavi di tipologia H05VV-F (FRO-FROR) con la seguente sezione minima.

Corrente (A)	Sezione conduttori (mm ²)
<16	1,5
16<X<25	2,5
25<X<32	4,0
>32	6.0

Fare riferimento alle specifiche tecniche di prodotto per selezionare in maniera appropriata la dimensione dei cavi da impiegare per il collegamento delle unità e la tipologia degli interruttori di protezione da applicare alle linee di alimentazione.

Schema di cablaggio

(Unità Esterna/Interna) Mono-Split



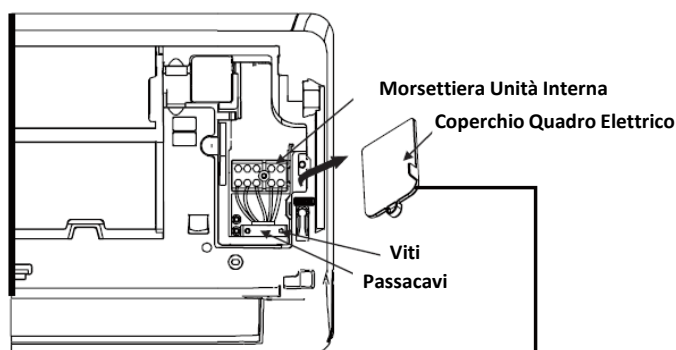
In caso di unità interna connessa a una unità esterna Multi-Split fare riferimento al manuale di installazione fornito a corredo dell'unità esterna.

Le unità contengono fusibili di protezione per le sovracorrenti e varistori contro le sovratensioni.

Utilizzare capicorda a forchetta per il collegamento dei conduttori alle morsettiere.

Schema di cablaggio elettrico

Lo schema dei collegamenti è riportato su adesivi posti sulle unità interna ed esterna.



Lo schema elettrico è riportato su di un adesivo sull'unità

NOTE COLLEGAMENTI ELETTRICI

- Non realizzare collegamenti differenti da quelli indicati nello schema a lato
- Rispettare la polarità dei collegamenti tra unità interna ed esterna

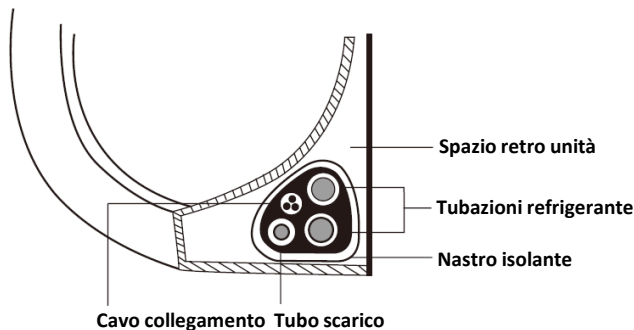
L'errato collegamento dei conduttori di connessione può provocare malfunzionamento dei prodotti, visualizzazione di codici guasto (E1) o altri danni, anche gravi.

4 Installazione unità interne

Bendaggio dei cavi e tubi

Prima di inserire le tubazioni, il tubo di scarico e il cavo di collegamento attraverso il foro nella parete, è necessario avvolgerli assieme per risparmiare spazio, proteggerli e isolarli.

Avvolgere il tubo di scarico, le tubazioni del refrigerante e il cavo di segnale come illustrato nella Figura



Posizionare il tubo di scarico nella parte inferiore.

Assicurarsi che il tubo di scarico sia posizionato nella parte inferiore. Posizionare il tubo di scarico nella parte superiore può causare lo fuoriuscite di liquido dalla vaschetta di scarico e causare incendi o perdite d'acqua.

Non far scorrere il cavo di collegamento in prossimità di altri cavi di potenza.

Fissare il tubo di scarico alla parte inferiore dei tubi del refrigerante con del nastro isolante.

Avvolgere assieme strettamente il cavo di segnale, i tubi del refrigerante e il tubo di scarico con del nastro isolante. Controllare nuovamente che tutti i componenti siano avvolti come indicato in Figura.

Effettuare il bendaggio delle tubazioni solo dopo che sono state eseguite le operazioni di verifica sulla tenuta dei raccordi.

Posizionare le tubazioni del refrigerante, il tubo di scarico e il cavo di collegamento opportunamente avvolti nel reo dell'unità.

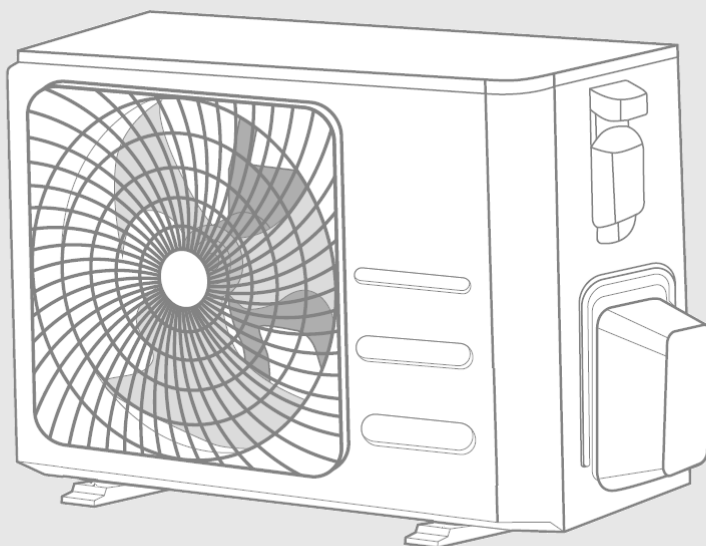
Agganciare la parte superiore dell'unità interna alla parte superiore della piastra di installazione.

Controllare che l'unità sia saldamente agganciata alla piastra di installazione applicando una leggera pressione sul lato destro e sinistro dell'unità. L'unità non deve oscillare né scivolare.

Premere con una pressione uniforme facendo leva sulla metà inferiore dell'unità. Continuare a premere finché l'unità si fissa ai ganci della parte inferiore della piastra di montaggio.

Controllare nuovamente che l'unità sia fissata saldamente applicando una leggera pressione al lato destro e sinistro dell'unità.

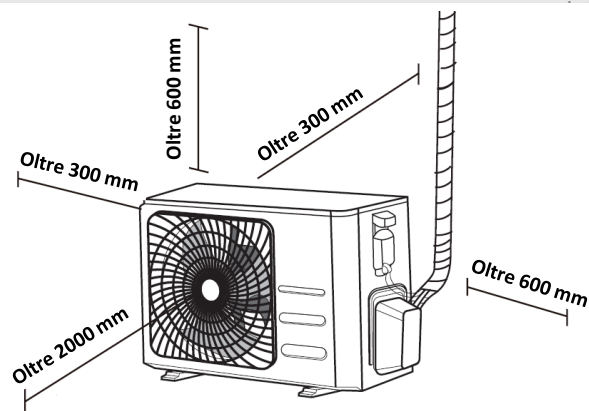
5 Installazione unità esterna



Selezione della posizione di installazione

Prima dell'installazione dell'unità esterna, è necessario scegliere una posizione appropriata. Le condizioni elencate di seguito sono utili per scegliere la posizione appropriata per l'unità. La posizione di installazione dell'unità esterna deve soddisfare queste condizioni.

- Rispettare tutti gli spazi di rispetto mostrati nella figura a lato
- Garantire buona circolazione dell'aria e ventilazione
- Essere stabile e solida in modo da sostenere l'unità senza vibrazioni
- Il rumore prodotto dall'unità non deve disturbare altre persone
- Protetta dall'esposizione prolungata alla luce diretta del sole o alla pioggia



Non installare il prodotto in queste condizioni.

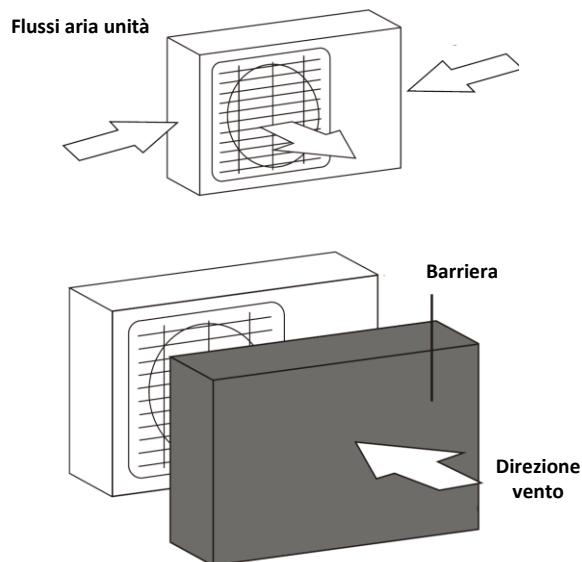
- In condizioni che possono bloccare la circolazione dell'aria
- Dove il rumore può disturbare altre persone
- Dove animali o piante possono risentire del flusso di aria calda
- In prossimità di gas combustibile
- In una posizione esposta a una grande quantità di polvere
- In una posizione esposta ad aria salmastra

5 Installazione unità esterna

AVVERTENZE SPECIALI PER CONDIZIONI CLIMATICHE ESTREME

La direzione del vento non deve opporsi al flusso d'aria espulso dall'unità.

Installare l'unità in modo che l'espulsione aria sia perpendicolare rispetto alla direzione del vento. Se questo non è possibile, provvedere a realizzare delle barriere di protezione per evitare che il fenomeno si manifesti.



Installare l'unità in posizione riparata da pioggia o neve: questo migliora le prestazioni, specialmente durante l'utilizzo in modalità riscaldamento. Non ostacolare i flussi d'aria dell'unità.

In caso di installazione dell'unità in località costiere, dove è presente la problematica di accumulo di salsedine e corrosione, adottare le idonee contromisure per evitare danni.

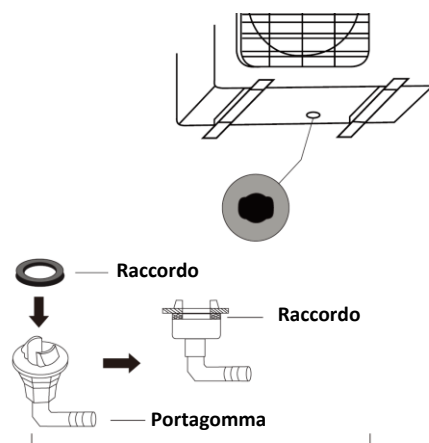
Durante il funzionamento in modalità raffreddamento è normale che l'unità produca piccole quantità di liquido di condensa.

I prodotti reversibili, che oltre al raffreddamento operano anche in modalità riscaldamento, necessitano di una condotta di scarico condensa per il drenaggio del liquido prodotto a seguito dell'esecuzione dei cicli di sbrinamento.

Dotare l'unità di meccanismi di scarico del liquido di condensa, che può essere prodotto anche in quantità elevata (>8l/h).

Il prodotto viene fornito con un raccordo di scarico da collegare ad un foro sulla base del prodotto. Il raccordo è dotato di un portagomma all'estremità, in modo da poter essere connesso a tubazioni di scarico (Non fornite a corredo).

Questo raccordo potrebbe non essere sufficiente a garantire il corretto smaltimento della completa quantità di liquido prodotta dall'unità.



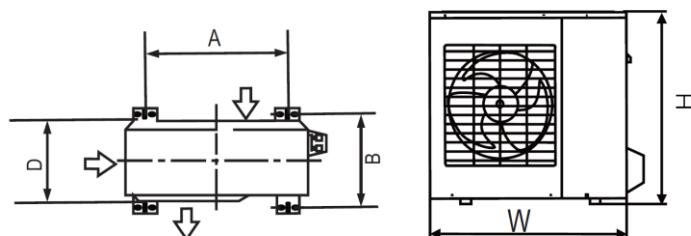
La tubazione di scarico connessa al raccordo deve compiere un percorso in direzione verticale per evitare ristagni d'acqua che potrebbero congelare in caso di temperature esterne rigide.

5 Installazione dell'unità esterna

Schemi dimensionali

Di seguito le dimensioni della intera gamma di unità esterne disponibili.

L'aspetto dei disegni a lato è puramente indicativo e non si riferisce agli specifici prodotti disponibili.



Modelli	Dimensioni unità (mm)	Dimensions de montage	
	W x H x D	Distance A (mm)	Distance B (mm)
AW-YHDH009-H91	770 x 555 x 300	487	298
AW-YHDH012-H91	770 x 555 x 300	487	298
AW-YHDH018-H91	800 x 554 x 333	514	340
AW-YHDH024-H91	845 x 700 x 340	540	350

Anche se l'unità è posizionata a terra, è opportuno prevedere dei sistemi di fissaggio al suolo per prevenire la sua caduta o il ribaltamento.

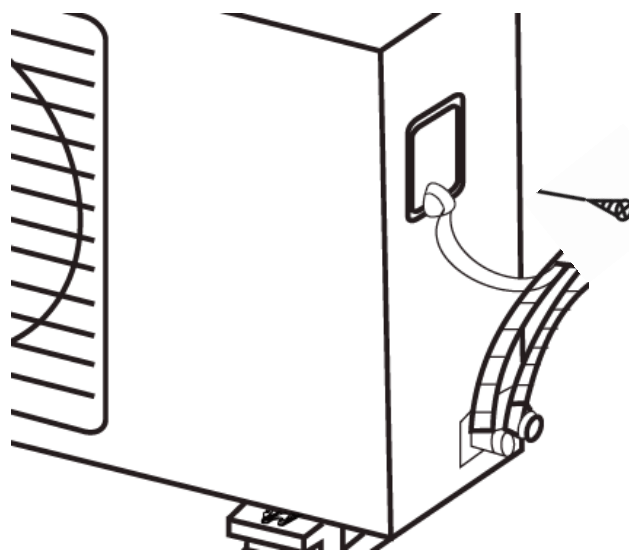
Se la zona di installazione è soggetta a nevicate, sollevare l'unità dal piano di appoggio in misura pari al valore della precipitazione nevosa media annua, per evitare che l'accumulo di neve possa ostacolare i percorsi dell'aria attorno all'unità.

5 Installazione unità esterna

In caso di installazione dell'unità esterna su staffe di sospensione, considerare quanto segue:

- Assicurarsi che la parete di ancoraggio sia realizzata in cemento o in materiali altrettanto robusti. La parete deve poter sostenere un peso pari ad almeno quattro volte quello dell'unità.
- Utilizzare sistemi di fissaggio idonei a sostenere il peso dell'unità moltiplicato per quattro volte.
- Se consentito, utilizzare sistemi di isolamento meccanico (giunti antivibranti) anche tra le staffe e la parete.
- Controllare che le staffe di montaggio siano livellate in senso orizzontale.
- Mantenere i piedi dell'unità separati dalle staffe mediante giunti antivibranti in gomma di altezza adeguata.
- Fissare saldamente l'unità alle staffe di fissaggio, in modo da evitare il rischio di caduta e rovesciamento del prodotto.
- Il peso dell'unità è, in alcuni casi, superiore a 30 Kg. Si raccomanda di manipolare l'unità in sicurezza con l'ausilio di un numero adeguato di operatori, per evitare rischio di caduta e danni conseguenti.
- L'unità contiene parti taglienti. Utilizzare idonei dispositivi di protezione durante la manipolazione, per evitare ferite e danni.

La morsettiera per i collegamenti elettrici è posizionata sotto il coperchio del quadro elettrico dell'unità esterna, accessibile asportando la vite di fissaggio.



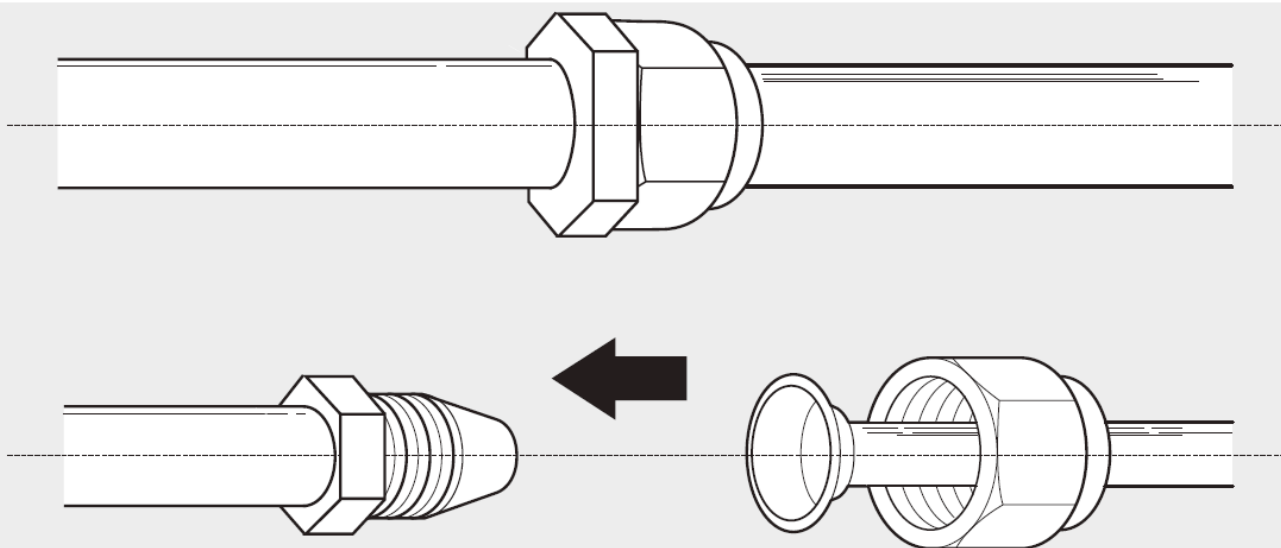
Gli schemi elettrici del prodotto sono riportati su di un adesivo posto sul coperchio del quadro elettrico.

Per il cablaggio elettrico del prodotto si faccia riferimento alla sezione 4 (Collegamenti Elettrici) del presente manuale.

Ancorare tutti i cavi mediante l'apposito passa cavi.

Al termine delle operazioni di cablaggio chiudere correttamente il coperchio del quadro elettrico per evitare l'ingresso di acqua o altri contaminanti nel prodotto.

6 Collegamento tubazioni refrigerante



NOTA: Lunghezza delle tubazioni del circuito frigorifero

La lunghezza delle tubazioni del circuito frigorifero influenza le prestazioni e il consumo energetico dell'apparecchio.

I dati di prestazione del prodotto indicati nelle specifiche tecniche, fanno riferimento a condizioni di prova in cui la lunghezza ed il dislivello delle tubazioni sono predefinite. Le reali prestazioni e consumi energetici del prodotto possono differire da quanto indicato in relazione alle differenti condizioni di installazione.

Fare riferimento alla seguente tabella per verificare la lunghezza massima equivalente ed il dislivello massimo ammessi in relazione ai vari modelli.

Model	Capacity (BTU/h)	Max. Length (m)	Max. Drop Height (m)
R32 Inverter Split Air Conditioner	< 15,000	25 (82ft)	10 (33ft)
	≥ 15,000 and < 24,000	30 (98.5ft)	20 (66ft)
	≥ 24,000 and < 36,000	50 (164ft)	25 (82ft)
	≥ 36,000 and ≤ 60,000	65 (213ft)	30 (98.5ft)

Le unità sono precaricate per uno sviluppo della rete di tubazioni pari a 5 m. In caso lunghezza delle tubazioni risulti superiori a questo dato, è necessario integrare la quantità di refrigerante contenuta nel prodotto come indicato in seguito.

Tubazioni prodotto	Incremento di refrigerante
Lato Liquido 6.35 mm 1/4 inch	12g/m
Lato liquido 9,52 mm 3/8 inch	24g/m

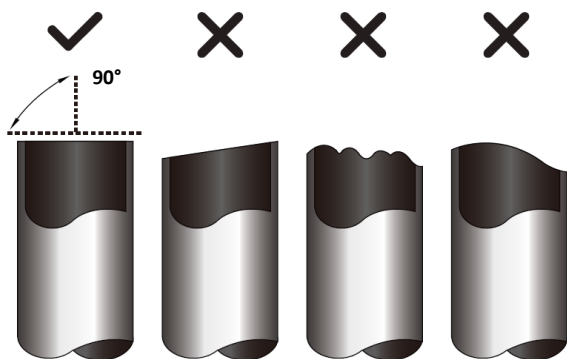
La manipolazione del refrigerante può essere eseguita solo da personale qualificato e certificato in base alle normative vigenti nel territorio di installazione del prodotto. Utilizzare refrigerante di tipologia analoga a quella contenuta nel prodotto. Non mescolare refrigeranti differenti.

6 Collegamento tubazioni refrigerante

Le tubazioni utilizzate per il collegamento delle due parti del prodotto devono essere di tipologia e dimensioni idonee.

Taglio delle tubazioni

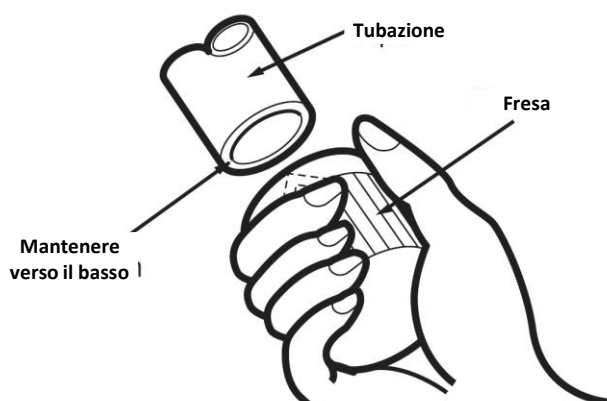
Il taglio delle tubazioni deve essere realizzato su di un tratto dritto con una rotella tagliatubo di tipologia idonea.



Il taglio deve risultare regolare. Non deformare, curvare o ammaccare la zona di taglio.

Rimozione delle bave

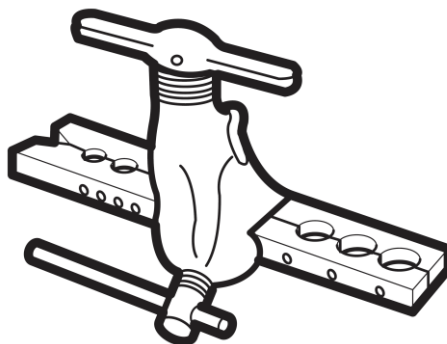
Mantenere l'estremità aperta della tubazione rivolta verso il basso durante le lavorazioni. Rimuovere le bave e i residui di taglio dall'interno della tubazione.



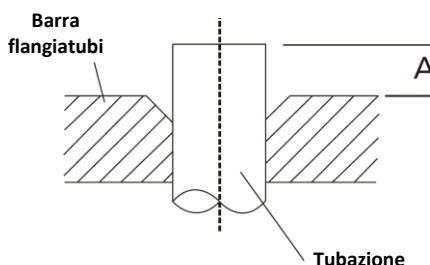
Flangiatura delle tubazioni

Dalla corretta flangiatura delle tubazioni dipende la tenuta del circuito frigorifero e l'affidabilità del prodotto.

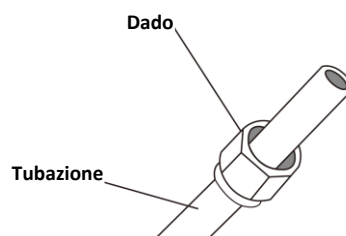
Utilizzare una macchina flangia tubo a frizione con barra di dimensioni idonee alle tubazioni da lavorare.



Lavorare le tubazioni come prescritto dal produttore dell'utensile, facendo particolare attenzione alla sporgenza dell'estremità della tubazione (A) dalla barra.



La flangia realizzata deve risultare regolare, liscia e di dimensione tronco-conica. Prima di eseguire la flangiatura, posizionare il dado sulla tubazione nel senso corretto.



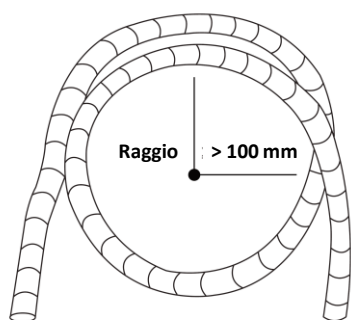
6 Collegamento tubazioni refrigerante

Collegamento delle tubazioni (Unità Interna)

Durante il posizionamento delle tubazioni non schiacciare o deformare la tubazione.

Raggio di curvatura

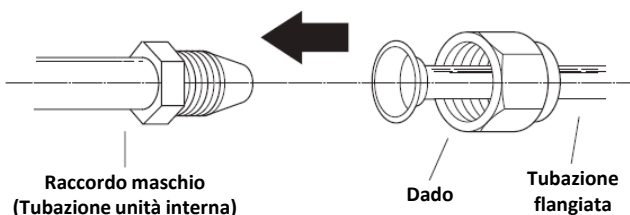
Non realizzare sulle tubazioni curve con raggio inferiore a 100 mm



Collegamento dei raccordi a flangia

Allineare i raccordi che devono essere connessi, mantenendo le tue tubazioni allineate.

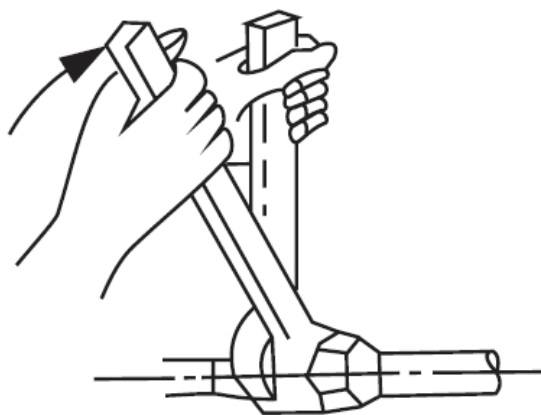
Serrare a mano il dado sul raccordo maschio.



NOTA: NON SERRARE ECCESSIVAMENTE IL RACCORDO

Non applicare coppia eccessiva al raccordo. Il raccordo potrebbe deformarsi o si potrebbe danneggiare la tubazione, causando perdite di refrigerante e possibili danni a cose e persone.

Serrare il raccordo utilizzando due chiavi a forchetta contrapposte, fino alla coppia di torsione indicata in tabella.



Dimensione tubazione	Coppia serraggio (N/cm)
6,35 mm 1/4 inch	1500
9,52 mm 3/8 inch	2500
12,7 mm 1/2 inch	3500
15,88 mm 3/8 inch	4500

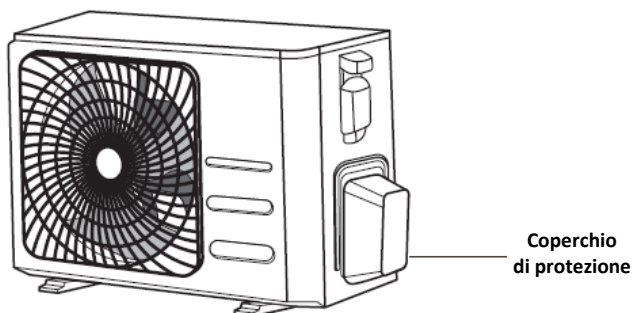
Durante il serraggio dei raccordi, accertarsi di non torcere le tubazioni.

Se necessario, applicare lubrificante sulla parte del raccordo esterna al passaggio del refrigerante, prima di procedere al serraggio.

6 Collegamento tubazioni refrigerante

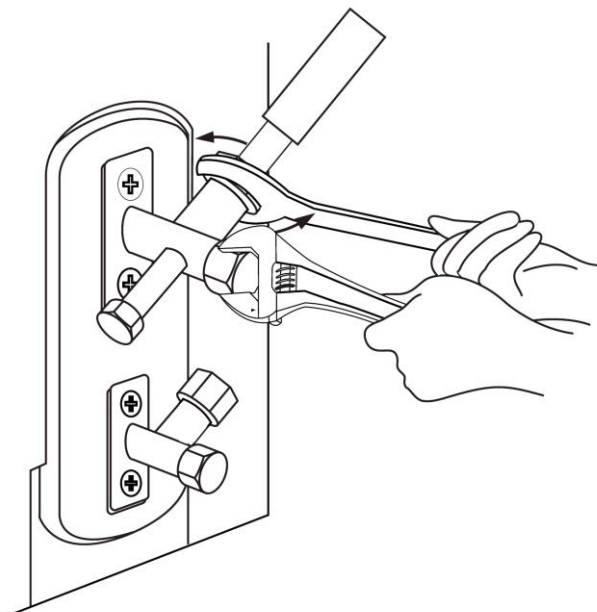
Collegamento delle tubazioni (Unità Esterna)

Accedere alle valvole del refrigerante poste sull'unità esterna, sotto il coperchio di protezione.



Rimuovere i dadi a protezione dei rubinetti e collegare le tubazioni del refrigerante dopo aver eseguito flangiatura delle estremità con le modalità di lavoro descritte in precedenza. Allineare i raccordi per il serraggio e procedere alla congiunzione come descritto nel caso delle unità interne.

Durante le operazioni di serraggio, utilizzare due chiavi a forchetta contrapposte. La prima deve far ruotare il dado, la seconda deve tenere in posizione il corpo del rubinetto.

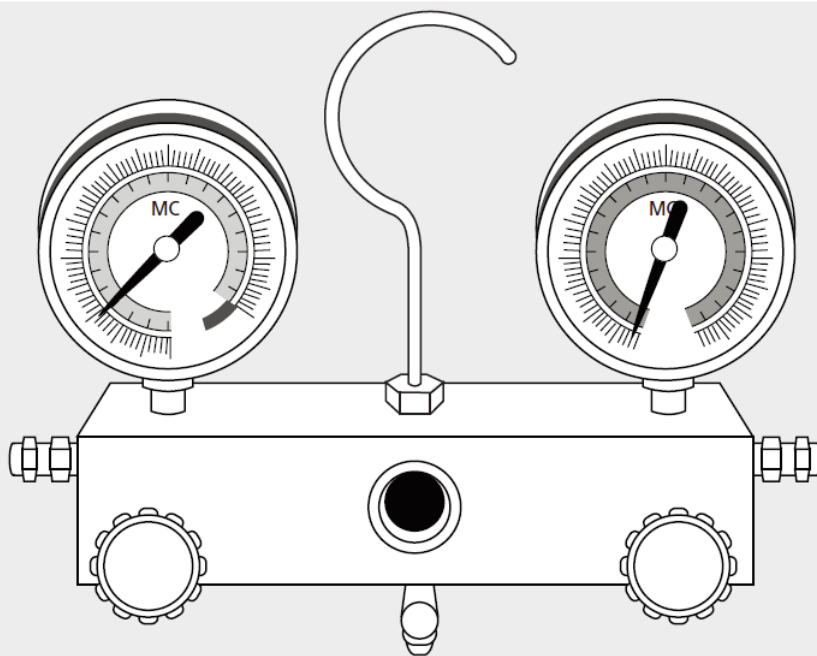


Il mancato rispetto di questa prescrizione può determinare perdite di refrigerante e danni alle valvole.

Serrare i raccordi con coppia di torsione analoga a quanto descritto in precedenza.

Unità esterna	refrigerante/GWP	Charge (5m) (Kg)
AW-YHDH009-H91	R32/675	0,7
AW-YHDH012-H91	R32/675	0,8
AW-YHDH018-H91	R32/675	1,25
AW-YHDH024-H91	R32/675	1,6

7 Evacuazione



Precauzioni

L'evacuazione serve a rimuovere aria ed umidità dal circuito frigorifero prima di porre in circolazione il refrigerante.

La presenza di aria, umidità o altri contaminanti può causare malfunzionamenti e danneggiare il prodotto.

Prima dell'evacuazione la tenuta dei raccordi e delle connessioni deve essere verificata con le opportune metodologie

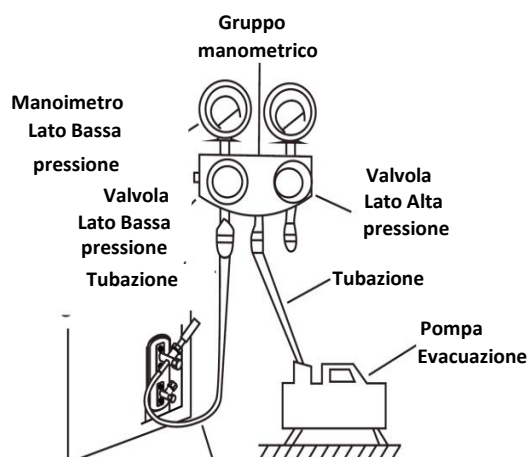
Prima della messa in servizio è necessario evacuare le tubazioni e l'unità interna utilizzando apposita strumentazione.

Prima di eseguire le attività, assicurarsi che le tubazioni siano correttamente connesse e che tutti i cablaggi elettrici siano opportunamente realizzati.

Verificare l'idoneità della strumentazione e il corretto funzionamento della stessa.

Assicurarsi di aver compreso le tecniche di utilizzo degli strumenti.

Schema delle connessioni



Eseguire l'evacuazione fino a raggiungere un livello di pressione assoluta pari o inferiore a -76cmHG (-105kPa) e proseguire nella manovra per almeno 15 minuti.

Se la manovra viene eseguita durante la stagione invernale o con temperature inferiori a $+20^\circ\text{C}$, riscaldare le tubazioni.

7 Evacuazione

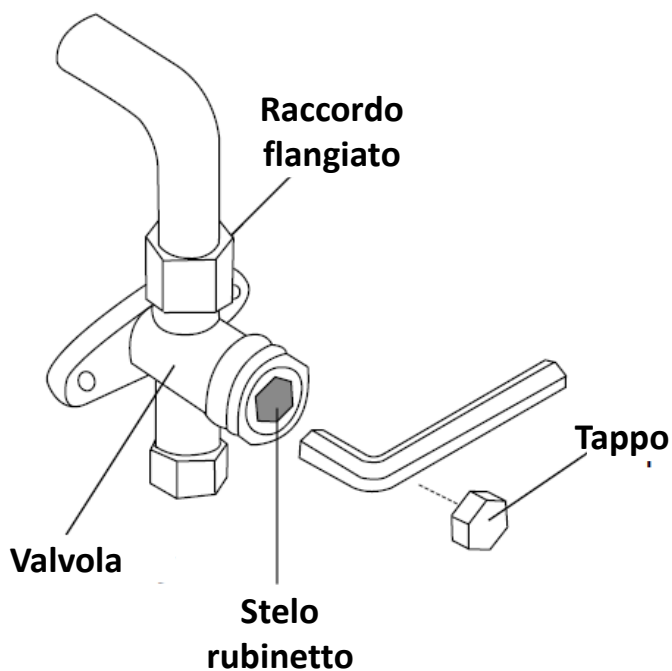
Immissione del refrigerante

Dopo che l'evacuazione del circuito è stata completata, isolare le tubazioni del gruppo manometrico. Successivamente aprire le valvole del refrigerante per immettere il fluido nel circuito. Utilizzare una chiave a brugola di dimensione adeguata; iniziare questo processo dalla valvola lato liquido (La più piccola delle due). Dopo aver completato l'apertura della valvola lato liquido, procedere con quella lato gas.

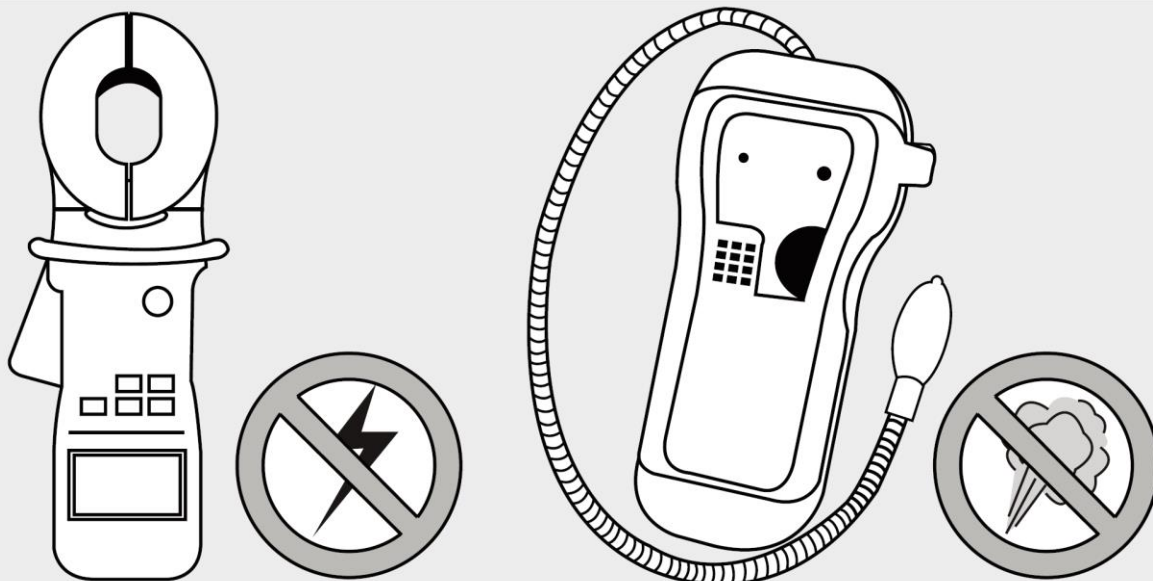
Aprile le valvole con cautela immettendo il refrigerante in circolo poco alla volta.

Recuperare il refrigerante contenuto nelle tubazioni con la procedura di pump-down.

Aprire completamente gli steli dei rubinetti e chiudere i tappi, serrando con una chiave.



8 Controllo perdite



Controlli e verifiche

Al termine dell'installazione, assicurarsi che tutti i cavi siano stati installati in conformità alle disposizioni di legge vigenti nel territorio di installazione.

Prima di avviare il prodotto, Controllare la messa a terra

Misurare la resistenza di terra a vista e tramite un misuratore di resistenza di terra.

Se questa prescrizione non viene rispettata vi è il rischio che si possano sviluppare scosse elettriche ed incendi.

IL CABLAGGIO ELETTRICO DEL PRODOTTO DEVE ESSERE REALIZZATO IN CONFORMITA' ALLE NORMATIVE IN VIGORE NEL LUOGO DI INSTALLAZIONE E DEVE ESSERE REALIZZATO DA PERSONALE QUALIFICATO ED AUTORIZZATO.

Controllo perdite di refrigerante

Eeguire una verifica sull'assenza di perdite di refrigerante dai raccordi con il prodotto operativo in modalità riscaldamento.

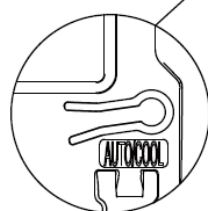
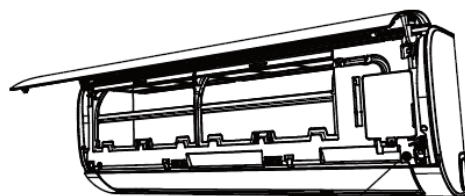
Accertare l'assenza di perdite con la verifica dei raccordi mediante acqua saponata o con l'impiego di un cercafughe elettronico adatto al tipo di refrigerante in uso nell'apparecchiatura.

9 Test di funzionamento

Prima di eseguire il test di funzionamento

Eeguire il test di funzionamento solo dopo aver completato i seguenti passaggi:

- **Controlli elettrici di sicurezza:** assicurarsi che il sistema elettrico dell'unità sia stato correttamente installato, che sia sicuro e che funzioni correttamente.
- Assicurarsi che le valvole Lato Gas e Liquido siano completamente aperte.



Pulsante AUTOCOOL

Primo avviamento

Il primo avviamento del prodotto deve essere realizzato in modalità raffreddamento, indipendentemente dalle condizioni ambientali al momento dell'installazione.

Utilizzare la funzione Forced Cooling per attivare il prodotto in modalità raffreddamento anche in presenza di basse temperature ambientali.

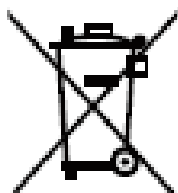
Per attivare la funzione premere per due volte il pulsante AUTOCOOL sul pannello frontale dell'unità. Sul display del prodotto compariranno i caratteri FC.

Il test opera mettendo in funzione l'unità in modalità raffreddamento con il ventilatore interno alla velocità massima ed il compressore a ciclo di lavoro forzato.

Il test si interrompe automaticamente dopo 20 minuti dall'avvio, riportando il prodotto ad una condizione di lavoro predefinita.

10 Smaltimento del prodotto

- Questo prodotto contiene refrigeranti HFC ad effetto serra da cui dipende il suo funzionamento, ed altre sostanze pericolose.
- Quando questa unità deve essere smaltita al termine della sua vita operativa, le norme impongono speciali meccanismi di trattamento e di smaltimento dell'apparecchiatura.
- È vietato smaltire questo prodotto insieme ai tradizionali rifiuti domestici urbani.
- Smaltire il prodotto secondo le disposizioni di legge, in centri di conferimento dei rifiuti derivanti da apparecchiature elettriche ed elettroniche autorizzati secondo le normative vigenti nel territorio di installazione.
- Lo smaltimento non corretto del prodotto può inquinare acqua, aria, suolo, danneggiare la salute, ed avere impatto nocivo nei confronti della catena alimentare.



11 Informazioni sull'assistenza

Questo prodotto contiene fluido refrigerante classificato come infiammabile. Prima svolgere qualunque riparazione su di un prodotto che contiene refrigeranti infiammabili, assicurarsi che siano verificate tutte le misure di sicurezza finalizzate a ridurre il rischio di incendio. Per le riparazioni che coinvolgono il circuito frigorifero le precauzioni elencate in seguito devono essere verificate prima di eseguire qualunque altra operazione.

Procedure operative

Tutte le operazioni devono svolgersi in maniera tale da ridurre al minimo il rischio correlato alla presenza di vapori infiammabili nell'area in cui vengono eseguite le riparazioni.

Tutto il personale addetto alla manutenzione e alle altre operazioni, presente nei locali in cui si svolgono le attività, deve essere istruito riguardo alla natura delle operazioni da svolgere.

Spazi in cui si svolgono le attività

Evitare di svolgere operazioni di riparazione in ambienti chiusi. Gli spazi in cui si svolgono le operazioni dovrebbero essere delimitati. Assicurarsi che nell'area in cui si svolgono le riparazioni non siano presenti dei materiali infiammabili.

Verifica della presenza di refrigerante

L'ambiente in cui si svolgono le riparazioni deve essere verificato con appropriati strumenti di rilevazione per assicurarsi che prima e durante le lavorazioni, gli operatori siano informati della eventuale presenza di atmosfere infiammabili.

Assicurarsi che il sistema di rilevazione delle perdite di refrigerante utilizzato sia compatibile con le tipologie di refrigeranti infiammabili utilizzati e che risulti intrinsecamente sicuro.

Presenza di dispositivi antincendio

Per lo svolgimento di qualunque attività correlata con i refrigeranti infiammabili sui prodotti, assicurarsi che sia disponibile e che sia facilmente accessibile un mezzo di estinzione di un eventuale incendio. Utilizzare preferibilmente un estintore a polvere ABC o ad anidride carbonica.

Assicurarsi dell'assenza di fiamme libere o altri inneschi

Dove vengono eseguite delle operazioni che coinvolgono il refrigerante o che espongono parti del circuito frigorifero normalmente sigillate, non devono essere presenti fiamme o altri inneschi che possano provocare incendi o esplosioni. Tutte le possibili fonti di innesco, incluso il fumo di sigaretta, devono essere mantenute a distanza sufficiente dal luogo di installazione, riparazione, assistenza o smaltimento dei prodotti, per tutto il tempo in cui è possibile che refrigeranti infiammabili vengano dispersi nell'ambiente. Prima di eseguire le lavorazioni il luogo dove vengono svolte deve essere verificato per assicurarsi che non ci siano rischi di innesco dei materiali infiammabili. Un segnale VIETATO FUMARE deve essere esposto.

Ventilazione degli ambienti

Assicurarsi che il luogo in cui vengono eseguite le riparazioni o viene disassemblato il circuito frigorifero sia all'aperto o comunque adeguatamente ventilato. Deve essere mantenuta per tutto il tempo in cui le riparazioni si svolgono un'adeguata ventilazione dei locali in cui si svolgono le attività. Il sistema di ventilazione deve disperdere in maniera sicura le esalazioni ed espellerle preferibilmente all'aperto.

11 Informazioni sull'assistenza

Verifica dei componenti elettrici

In caso di sostituzione dei componenti elettrici o elettronici utilizzare esclusivamente parti originali e con le corrette specifiche proposte dal produttore. Seguire sempre le indicazioni del produttore per la riparazione e la manutenzione del prodotto. In caso di dubbi consultare il produttore o un centro assistenza tecnica autorizzato per le informazioni del caso.

In caso di installazione di prodotti con refrigeranti infiammabili

- Assicurarsi che la quantità di refrigerante contenuta nel circuito frigorifero sia tale da non determinare il superamento della concentrazione massima ammissibile nell'ambiente.
- Assicurarsi che le aperture e i dispositivi di ventilazione siano correttamente funzionanti e non risultino ostruiti.
- Assicurarsi che le etichette e le targhette di indicazione siano correttamente applicate e che siano leggibili.
- Assicurarsi che le tubazioni del refrigerante non siano installate in modo da non poter essere aggredite dalla corrosione. Questo, anche se i materiali componenti le tubazioni non sono propriamente soggetti a corrosione diretta.

Controlli iniziali sulle componenti elettriche

La riparazione e la manutenzione dei componenti elettrici ed elettronici dovrebbe includere un controllo iniziale sulla sicurezza dei dispositivi installati. Se esiste un difetto che può compromettere la sicurezza del prodotto non deve essere applicata tensione ai circuiti dell'unità. Se la problematica non può essere risolta immediatamente, il prodotto deve rimanere isolato dall'alimentazione elettrica per il tempo necessario alla realizzazione della riparazione definitiva. Il cliente deve essere informato della situazione e non deve utilizzare il prodotto.

I controlli iniziali sulle componenti elettriche prevedono che:

- I condensatori non siano carichi: i condensatori non devono essere scaricati per corto circuito per evitare scintille ed incendi.
- Non devono essere presenti componenti elettrici soggetti a tensione e cablaggi elettrici non isolati durante le operazioni di carico, recupero ed evacuazione del sistema.
- Il collegamento a terra dell'unità deve sempre essere garantito.

Riparazione delle componenti del circuito frigorifero

In caso di riparazione delle componenti del circuito frigorifero rimuovere l'alimentazione elettrica generale. Se non è possibile rimuovere l'alimentazione elettrica durante le attività di riparazione installare dei meccanismi di rilevazione permanenti delle perdite di refrigerante in modo da informare gli operatori dell'eventuale pericolo rappresentato dalla fuoriuscita di fluido e conseguente atmosfera esplosiva.

Nessuna attività di riparazione svolta sul prodotto, deve alterare le di isolamento elettrico o i cablaggi delle apparecchiature.

Non applicare al prodotto materiali sigillanti o altre forme di chiusura che possono impedire l'eventuale dispersione di refrigeranti infiammabili.

11 Informazioni sull'assistenza

Tutte le parti e le componenti da utilizzare durante le riparazioni devono essere originali o autorizzate dal costruttore.

ATTENZIONE

L'utilizzo di alcuni sigillanti a base siliconica può impedire la corretta operatività di alcuni rilevatori di perdite di refrigerante.

Riparazione dei componenti a sicurezza implicita

Non applicare, in maniera permanente, nessun carico induttivo o capacitivo, tale da eccedere le specifiche predefinite in termini di tensione e corrente, ai circuiti del prodotto. I componenti a sicurezza implicita non possono essere sostituiti con parti generiche o differenti dalle prescrizioni.

Sostituire queste componenti esclusivamente con parti originali fornite dal costruttore degli apparecchi. Eseguire le prove e le verifiche sul prodotto nelle condizioni di prova specificate.

L'utilizzo di parti o componenti non originali può determinare il rischio di incendio ed esplosione.

Cablaggi elettrici

Verificare che tutti i cablaggi elettrici non siano soggetti a usura, corrosione, temperature eccessive, vibrazioni, contatto con superfici taglienti o qualunque altro tipo di attrito che possa causare danni. Questa verifica dovrebbe anche tenere in considerazione gli effetti che le vibrazioni indotte dal compressore e dal ventilatore potrebbero avere in futuro.

Utilizzo di rilevatori a fiamma

In nessun caso è ammesso l'utilizzo di dispositivi ricerca perdite di refrigerante basati su fiamme libere.

Metodi di rilevazione delle perdite

Utilizzare i metodi di rilevazione descritti in seguito per l'identificazione delle eventuali perdite di refrigerante.

- **Cercafughe elettronici** specificamente progettati per la tipologia di refrigerante utilizzata nel prodotto. Questi dispositivi devono essere soggetti a periodica attività di taratura con metodologie e strumentazioni finalizzate alla certificazione degli stessi.
- **Fluidi traccianti.** L'utilizzo di fluidi traccianti è ammesso se questi risultano compatibili con il refrigerante in uso nella apparecchiatura. Non utilizzare fluidi traccianti in concentrazione superiore a quella massima ammessa. Se nell'impianto sono contenuti fluidi traccianti, non utilizzare detergenti a base di cloro poiché questi potrebbero reagire con il refrigerante e innescare processi di corrosione del rame componente parti dell'impianto.

Saldatura

Qualunque operazione di saldatura eseguita sulle componenti delle unità o sull'impianto, deve essere eseguita soltanto dopo che il refrigerante è stato rimosso dal prodotto e dall'impianto. Utilizzare azoto anidro per la realizzazione delle saldature in ambiente inerte.

Evacuazione, Carico del refrigerante, Rimozione del refrigerante

Il personale che esegue operazioni sul circuito frigorifero deve essere opportunamente formato e certificato secondo le normative di legge vigenti nel territorio di installazione.

11 Informazioni sull'assistenza

Il personale deve essere informato delle accortezze e delle cautele da adottare in caso di operazioni da svolgersi su circuiti frigoriferi che contengono refrigeranti infiammabili.

Le verifiche sulla tenuta del circuito frigorifero devono essere eseguite utilizzando azoto anidro immesso nel sistema sino al raggiungimento delle pressioni di prova previste per l'apparecchiatura.

Non utilizzare ossigeno, aria compressa o altri gas per eseguire la verifica di tenuta del sistema.

Le operazioni di lavaggio e pulizia delle tubazioni devono essere eseguite utilizzando azoto e altri fluidi di lavaggio compatibili con i fluidi refrigeranti in uso nel sistema. Per il carico e l'incremento di refrigerante utilizzare fluido refrigerante idoneo contenuto in recipienti di tipo idoneo. Impiegare una bilancia certificata e opportunamente tarata per la quantificazione del refrigerante.

Utilizzare soltanto il refrigerante specificato per il prodotto. Non utilizzare fluidi refrigeranti di tipologia diversa da quella prescritta per l'apparecchiatura. Assicurarsi che non avvengano fenomeni di commistione di differenti fluidi refrigeranti.

Non inserire nel circuito frigorifero quantità di refrigerante superiore a quella specificata per l'impianto.

In caso di smontaggio dell'impianto il fluido refrigerante deve essere contenuto e recuperato. Il fluido refrigerante non dovrebbe essere disperso nell'atmosfera. Se è possibile, prima della rimozione delle unità, confinare il refrigerante nell'unità esterna mediante la manovra di pump down; in caso questa manovra non possa essere eseguita, utilizzare una unità di recupero per confinare il fluido refrigerante in un contenitore ed avviarlo allo smaltimento. Impiegare una bilancia certificata e opportunamente tarata per la quantificazione del refrigerante.

Durante le operazioni, gli operatori devono indossare dispositivi di protezione individuale adatti ai rischi potenzialmente manifestabili. Non inserire nei contenitori refrigerante in quantità superiore al massimo consentito. Non superare la pressione massima ammessa per i contenitori, nemmeno per brevi periodi di tempo.

Rimuovere dal circuito del recuperatore l'olio eventualmente contenuto nel separatore e avviarlo allo smaltimento o al riciclaggio secondo le modalità previste dalle normative vigenti nel luogo di installazione.

Etichettatura

Non rimuovere le etichette con le indicazioni di sicurezza dal prodotto. In caso di rimozione del prodotto, dopo aver confinato il refrigerante nell'unità esterna, apporre sulla stessa etichetta di indicazione della tipologia e quantità di refrigerante contenuto.

Airwell

Just feel well

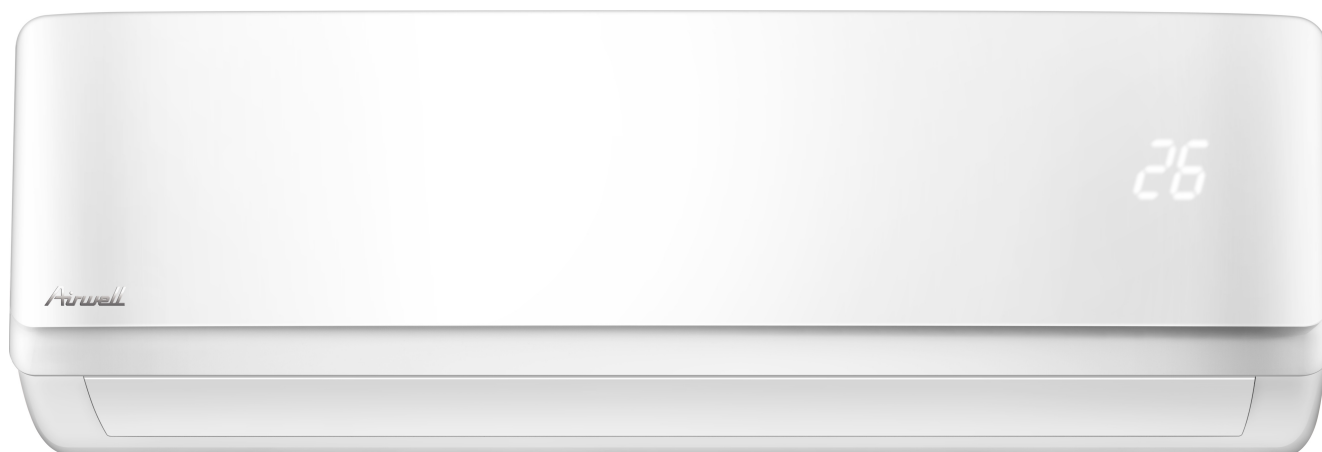


Installation Manual

HDH High Wall

R32

Russian Manual



IMPORTANT NOTE:

Read this manual carefully before installing or operating your new air conditioning unit. Make sure to save this manual for future reference.



Содержание

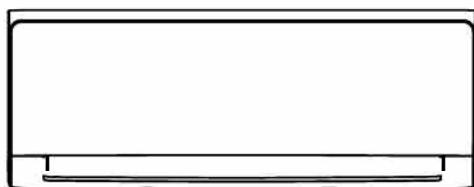
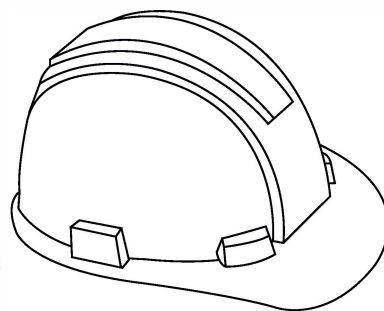
Инструкция по монтажу

0 Меры предосторожности.....4

1 Дополнительное оборудование.....6

2 Краткое изложение порядка монтажа:8

3 Компоненты кондиционера 10



4 Монтаж внутреннего блока 11

1. Выбрать место для установки 11

2. Прикрепить к стене монтажную пластину.....12

3. Просверлить в стене отверстие для соединительного трубопровода.....12

4. Подготовить трубопровод хладагента14

5. Присоединить дренажный шланг15

6. Подключить сигнальный кабель17

7. Обвязать трубопроводы и кабели.....18

8. Подключить силовой кабель внутреннего блока18

9. Установить внутренний блок18

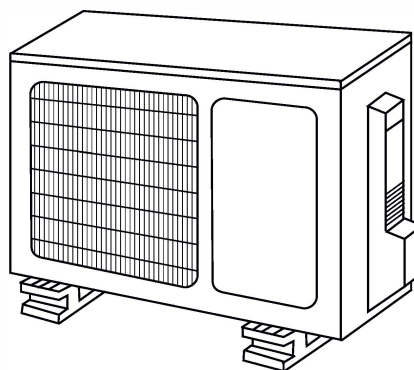
5 Монтаж наружного блока.....20

1. Выбрать место для установки 20

2. Установить дренажный патрубок 21

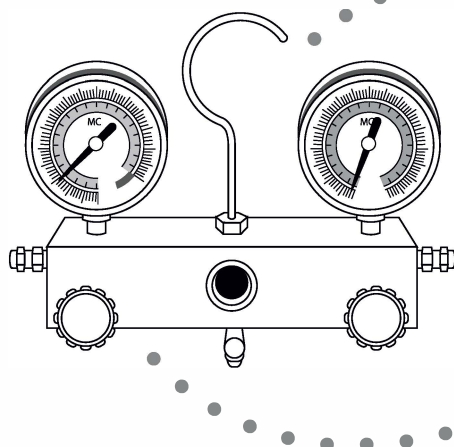
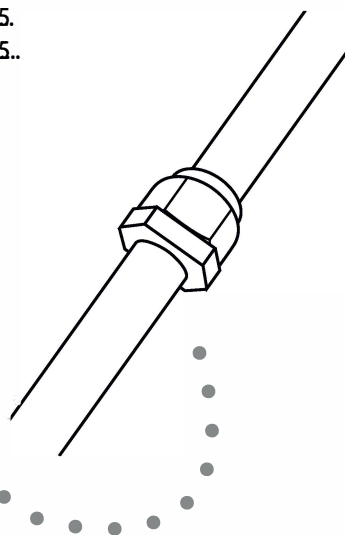
3. Закрепить наружный блок 22

4. Подключить сигнальный и силовой кабели23



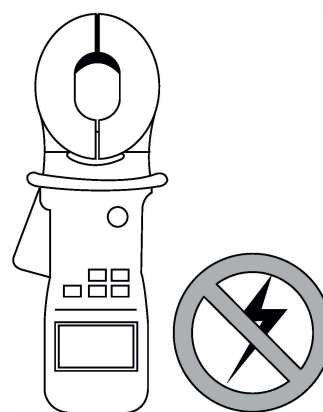
6 Соединение трубопровода хладагента..... 25

- А. Допустимая длина трубопровода хладагента25.
- В. Инструкции по соединению трубопровода хладагента25..
 - 1. Отрезать трубы25
 - 2. Зачистить края26
 - 3. Развальцевать концы труб26
 - 4. Соединить трубы27



7 Удаление воздуха29

- 1. Инструкции по удалению воздуха29
- 2. Замечания относительно заправки дополнительного количества хладагента30



8 Проверка электрооборудования и отсутствия утечек газа..... 31

9 Тестовой запуск..... 32

10 Указания по утилизации 34

Меры предосторожности

Прочтите этот раздел, прежде чем приступить к установке.

Неправильный монтаж с нарушением данных инструкций может привести к серьезному ущербу или травмам.

Тяжесть возможного ущерба или травм обозначена надписями ОПАСНО! или ВНИМАНИЕ!



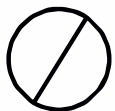
ОПАСНО!

Этот символ указывает на то, что нарушение инструкций может привести к смертельному исходу или тяжелым травмам.



ВНИМАНИЕ!

Этот символ указывает на то, что нарушение инструкций может привести к травмам средней тяжести, повреждению устройства или иного имущества.



Этот символ означает запрещение выполнять указанные действия.



ОПАСНО!

- ⊘ Запрещается изменять длину кабеля питания и использовать удлинитель для подведения питания к устройству. Запрещается включать в ту же розетку другие электрические приборы. Использование электропитания с несоответствующими параметрами или недостаточной мощности может привести к воспламенению или поражению электрическим током.
 - ⊘ При присоединении трубопровода хладагента не допускайте проникновения в блок веществ или газов, отличных от указанного хладагента. Наличие других газов или веществ приведет к снижению производительности блока, а также может вызвать чрезмерно высокое давление в холодильном контуре. Это может привести к травмам или взрыву.
 - ⊘ Не позволяйте детям играть с кондиционером. Следите за детьми, находящимися рядом с кондиционером..
1. Монтаж должен выполняться представителями официального дистрибьютора или специалистами, имеющими надлежащую лицензию. Неправильный монтаж может привести к течи воды, поражению электрическим током или воспламенению.
 2. Монтаж должен выполняться в строгом соответствии с инструкциями. Неправильный монтаж может привести к течи воды, поражению электрическим током или воспламенению. (В Северной Америке монтаж может производиться лишь сертифицированным специалистом при условии соблюдения требований NEC и CEC.)
 3. Для проведения обслуживания или ремонта обратитесь к сертифицированному специалисту.
 4. Для монтажа используйте только прилагаемое дополнительное оборудование и принадлежности, а также рекомендованные детали. Применение нестандартных деталей может привести к течи воды, поражению электрическим током, воспламенению и падению блока.
 5. Устанавливайте блок на прочной опоре, способной выдержать его вес. Если выбранное место не обеспечивает надлежащей опоры, способной выдержать вес устройства, или установка выполнена неправильно, устройство может упасть и причинить серьезный ущерб или травму.

ОПАСНО!

6. Электропроводку выполняйте в соответствии с региональными и государственными правилами и нормами устройства электроустановок и данной инструкцией по монтажу. Для электропитания следует использовать отдельный контур с одной розеткой. Запрещается подключать к этой розетке другие электрические приборы. Недостаточная мощность электрооборудования или неправильное выполнение электропроводки может стать причиной поражения электрическим током или воспламенения.
7. Для электропроводки следует использовать рекомендованные кабели. Надежно присоедините кабели и тщательно закрепите их, чтобы предотвратить повреждение клемм внешними нагрузками. Неправильно выполненные электрические соединения могут нагреться и привести к воспламенению, а также к поражению электрическим током.
8. Электропроводка должна быть выполнена аккуратно, чтобы можно было надлежащим образом закрыть крышку панели управления. Если крышка панели управления не будет закрыта надлежащим образом, это может привести к коррозии и вызвать нагрев клемм контактной колодки, воспламенению или поражению электрическим током.
9. В определенных условиях эксплуатации, например на кухнях, в серверных помещениях и т. п., настоятельно рекомендуется использовать кондиционеры, специально предназначенные для таких помещений.

ВНИМАНИЕ!

- ⊘ Для блоков с вспомогательным электрическим нагревателем: не устанавливайте блок на расстоянии менее 1 метра от легковоспламеняющихся материалов.
 - ⊘ Не устанавливайте блок в месте, в котором возможна утечка легковоспламеняющихся газов. Скопление легковоспламеняющегося газа вокруг блока может привести к пожару.
 - ⊘ Не устанавливайте кондиционер во влажных помещениях, например в ваннных или прачечных. Чрезмерно большое скопление воды может привести к короткому замыканию электрических компонентов.
1. При монтаже кондиционер необходимо соответствующим образом заземлить, в противном случае возможно поражение электрическим током.
 2. Монтаж дренажного трубопровода должен выполняться в полном соответствии с инструкциями, изложенными в настоящем руководстве. Неправильная организация дренажа может привести к повреждению вытекшей водой вашего имущества и конструкции здания.

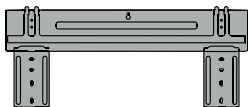




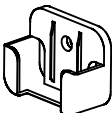



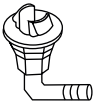
Предупреждение относительно фторсодержащих газов



1. Данный кондиционер содержит фторсодержащие газы. Конкретные сведения о типе и количестве газа указаны на соответствующей табличке, прикрепленной к блоку.
2. Монтаж, техническое обслуживание и ремонт кондиционера должен выполнять только сертифицированный специалист.
3. Демонтаж кондиционера и его утилизацию должен выполнять сертифицированный специалист.
4. Если в системе установлено оборудование для обнаружения утечек, проверку необходимо проводить не реже одного раза в год.
5. При проверке блока на отсутствие утечек настоятельно рекомендуется вести записи результатов всех проверок.

Дополнительные принадлежности

1

В комплект поставки кондиционера входят следующие принадлежности. Для монтажа кондиционера используйте все установочные детали и дополнительные принадлежности. Неправильный монтаж может привести к утечкам воды, поражению электрическим током и воспламенению, а также к отказу оборудования.

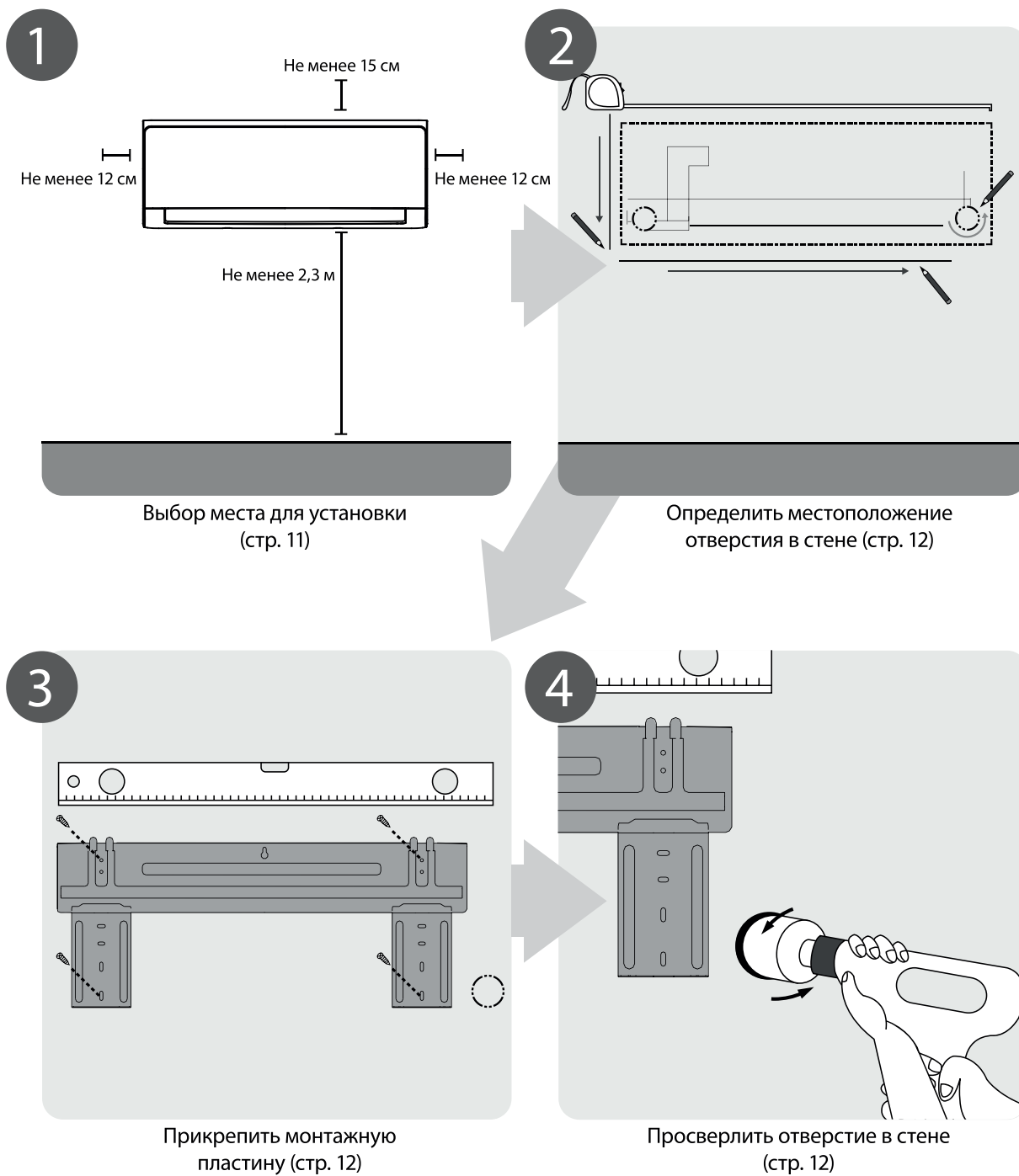
Наименование	Внешний вид	Количество	
Монтажная пластина		1	
Дюбель		5	
Винты для крепления монтажной пластины ST3.9 x 25		5	
Пульт дистанционного управления (ПДУ)		1	
Монтажные винты для держателя ПДУ ST2.9 x 10		2	Дополнительные принадлежности
Держатель пульта дистанционного управления		1	
Сухие элементы питания AAA или LR03		2	
Воздушный фильтр тонкой фильтрации		1	
Уплотнительное кольцо		1	
Дренажный патрубок		(только для моделей с функциями охлаждения и нагрева)	

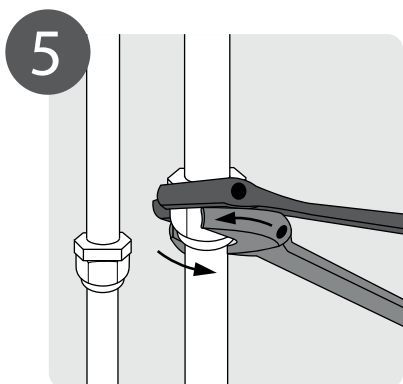
Наименование	Внешний вид	Количество
Инструкция по эксплуатации		1
Инструкция по монтажу		1

Комплект соединительных труб	Жидкостная труба	Ø 6,35 мм (1/4")	Эти детали необходимо приобрести дополнительно. Относительно диаметра труб проконсультируйтесь с дилером.
		Ø 9,52 мм (3/8")	
	Труба газовой линии	Ø 9,52 мм (3/8")	
		Ø 12,7 мм (1/2")	
		Ø 16 мм (5/8")	

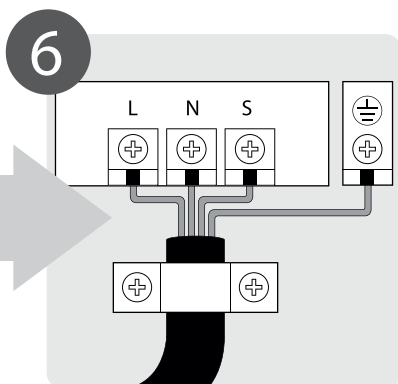
Краткое изложение порядка монтажа: внутренний блок

2

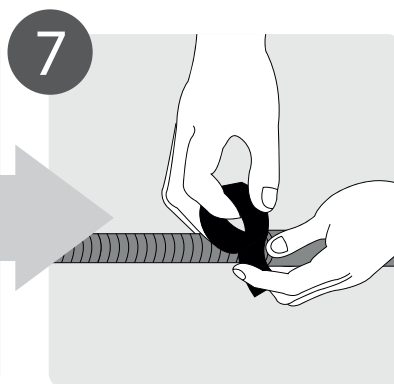




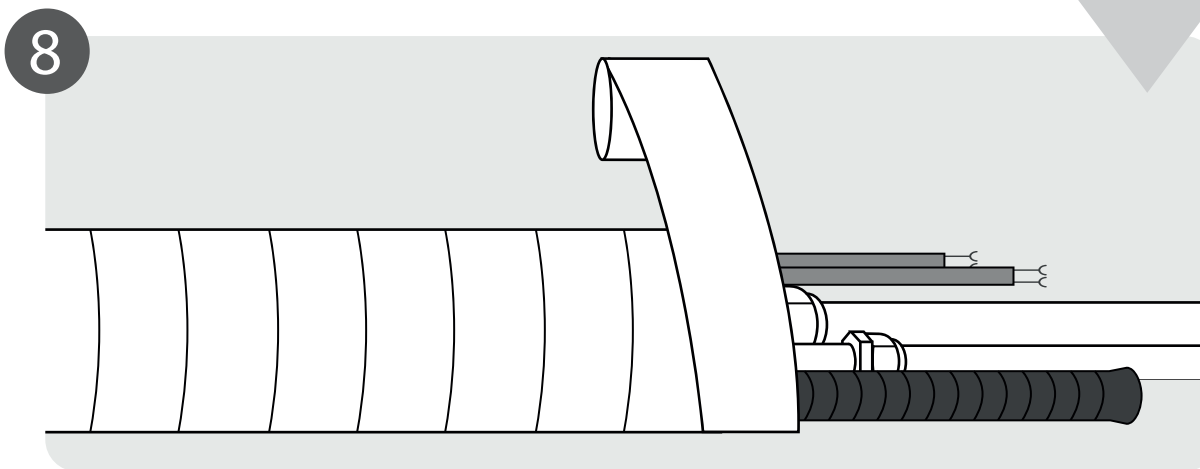
5
Соединить трубопроводы
(стр. 25)



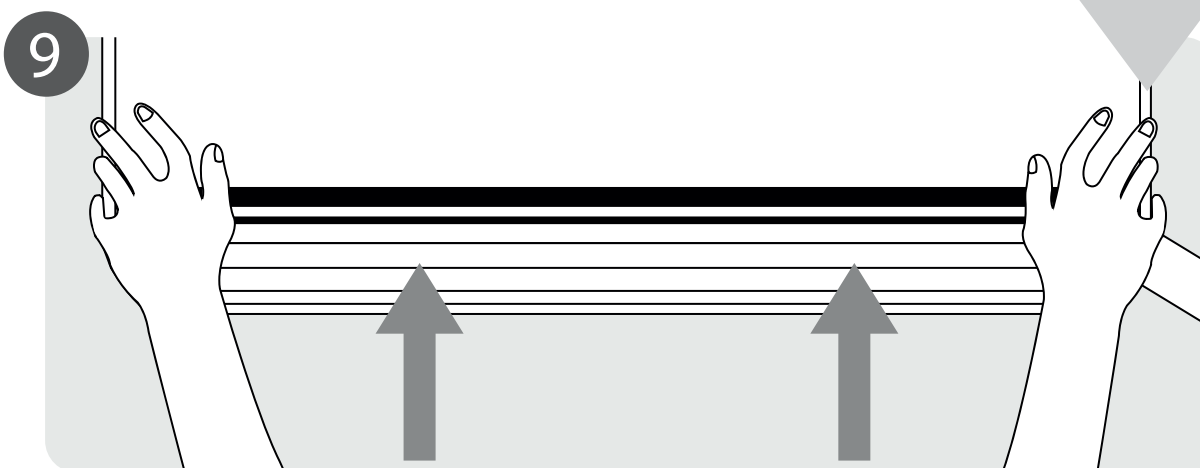
6
Подключить
электропроводку (стр. 17)



7
Подготовить
дренажный шланг
(стр. 14)



8
Обвязать трубопроводы
и кабели (стр. 18)



9
Установить внутренний блок
(стр. 18)

Компоненты кондиционера

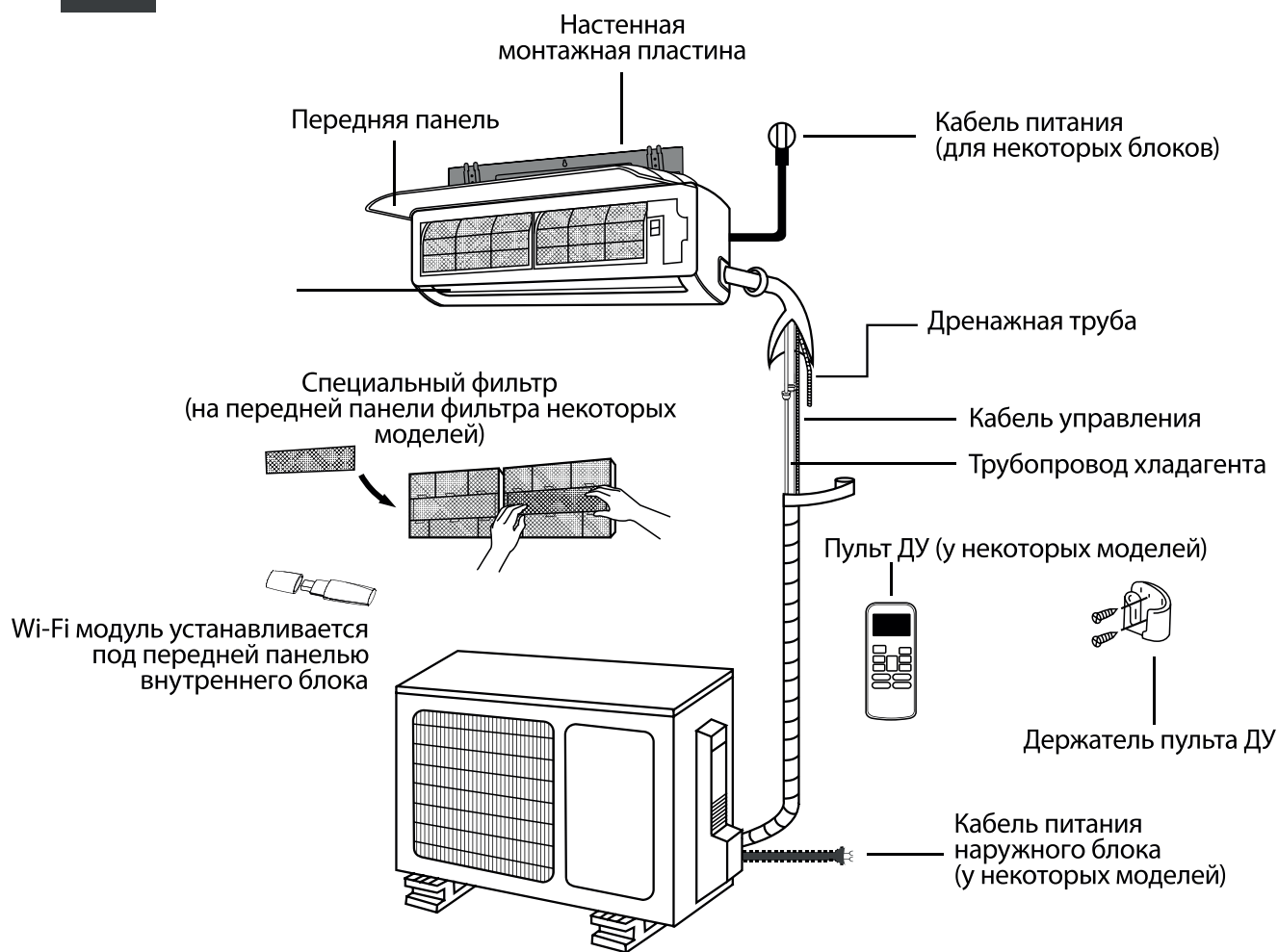


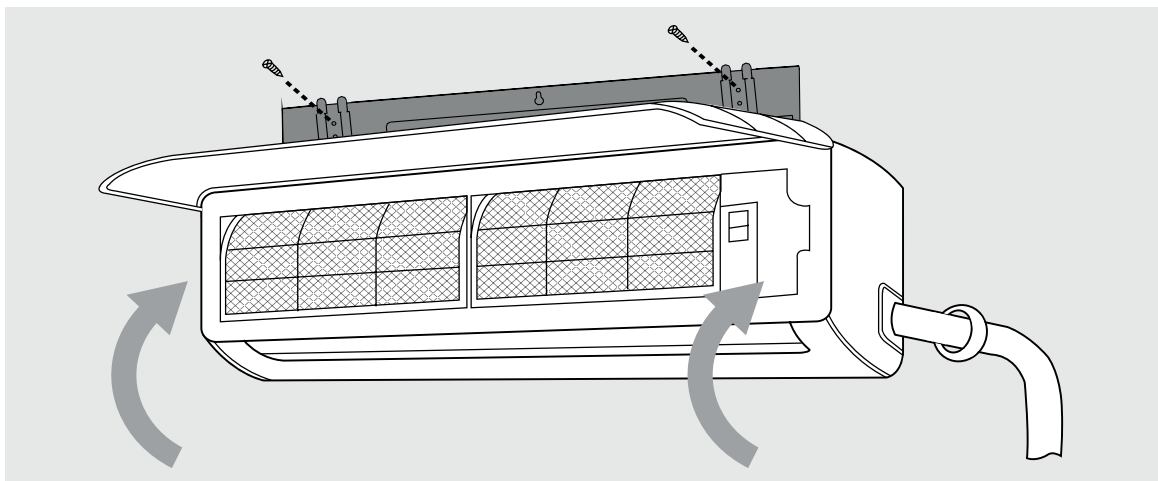
Рис. 2.1

ПРИМЕЧАНИЕ

Иллюстрации в данном руководстве имеют исключительно пояснительный характер. Реальный внутренний блок может немного отличаться от изображенного. Принимать в расчет следует реальные конструктивные особенности устройства.

Монтаж внутреннего блока

4



Монтаж
внутреннего блока

Инструкции по монтажу: наружный блок

ПОДГОТОВКА К МОНТАЖУ

Перед монтажом внутреннего блока сверьтесь с табличкой на упаковке изделия и убедитесь в том, что номер модели внутреннего блока соответствует номеру модели наружного блока.

Шаг 1. Выбрать место для установки
Перед монтажом внутреннего блока следует выбрать место для его установки. Ниже приведены условия, выполнение которых позволит подобрать подходящее место.

Место для установки блока должно удовлетворять следующим требованиям.

- Хорошая циркуляция воздуха.
- Удобство организации дренажа.
- Шум при работе блока не должен беспокоить других людей.
- Жесткое и прочное основание, не передающее вибрацию.
- Достаточная несущая способность стены, позволяющая выдержать вес блока.
- Место размещения блока должно находиться на расстоянии не менее одного метра от других электрических приборов (телевизоров, радиоприемников, компьютеров).

ЗАПРЕЩАЕТСЯ устанавливать блок в следующих местах.

- ⊘ Возле источников тепла, пара или горючих газов.
- ⊘ Возле легковоспламеняющихся предметов, например, штор или одежды.
- ⊘ Вблизи препятствий, способных помешать циркуляции воздуха.
- ⊘ Возле дверных проемов.
- ⊘ В местах, подверженных воздействию прямого солнечного света.

ЗАМЕЧАНИЕ ОТНОСИТЕЛЬНО ОТВЕРСТИЯ В СТЕНЕ

(При отсутствии вмонтированного трубопровода хладагента)
При установке кондиционера понадобится просверлить отверстие в стене для сигнального кабеля и трубопровода хладагента, которые будут соединять внутренний и наружный блоки (см. раздел «Просверлить в стене отверстие для соединительного трубопровода»). По умолчанию все трубопроводы располагаются с правой стороны внутреннего блока (если смотреть спереди). Однако конструкция блока позволяет располагать трубопроводы как справа, так и слева.

На следующем рисунке показаны необходимые расстояния от стен и потолка.

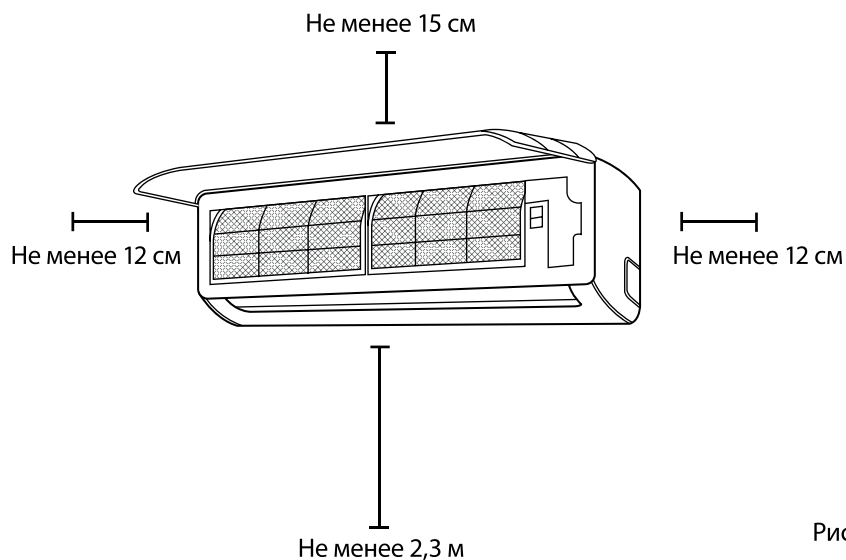


Рис. 3.1

Шаг 2. Прикрепить к стене монтажную пластину
Монтажная пластина — это деталь, на которую устанавливается внутренний блок.

1. Отверните винты, которыми монтажная пластина крепится к задней стороне внутреннего блока.
2. Приложите монтажную пластину к стене в месте, отвечающем требованиям, которые указаны в разделе «Выбрать место для установки» (см. раздел «Размеры монтажной пластины»).
3. Просверлите отверстия для монтажных винтов в следующих местах:
 - там, где расположены стойки, способные выдержать вес блока;
 - в местах, которые находятся напротив крепежных отверстий монтажной пластины.
4. Закрепите монтажную пластину на стене с помощью прилагаемых винтов.
5. Убедитесь в том, что монтажная пластина плотно прилегает к стене.

ЗАМЕЧАНИЕ ОТНОСИТЕЛЬНО БЕТОННЫХ ИЛИ КИРПИЧНЫХ СТЕН

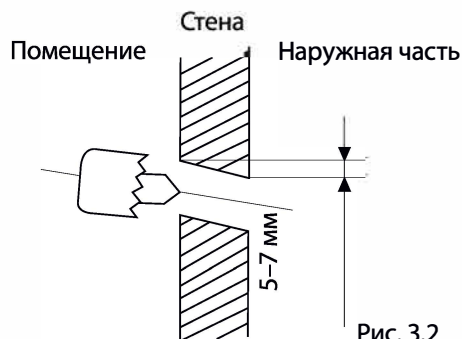
Если стена изготовлена из кирпича, бетона или подобных материалов, просверлите отверстия диаметром 5 мм и вставьте в них прилагаемые дюбели. Затем закрепите монтажную пластину на стене, ввернув винты непосредственно в дюбели.

Шаг 3. Просверлить в стене отверстие для соединительного трубопровода
Вам необходимо просверлить отверстие в стене, предназначенное для трубопровода хладагента, дренажной трубы и сигнального кабеля, соединяющих внутренний и наружный блоки.

1. Определите местоположение отверстия в стене, исходя из расположения монтажной пластины. См. раздел «Размеры монтажной пластины» на следующей странице, который поможет определить оптимальное местоположение отверстия. Отверстие в стене должно иметь диаметр не менее 65 мм и небольшой уклон вниз для облегчения отвода конденсата.
2. С помощью трубчатого сверла просверлите в стене отверстие диаметром 65 мм. Отверстие следует просверлить с небольшим наклоном вниз, чтобы наружный край отверстия был ниже внутреннего края приблизительно на 5–7 мм. Это обеспечит свободный слив конденсата (см. рис. 3.2).
3. Поместите в отверстие защитную манжету. Это защитит края отверстия и поможет герметизировать его после завершения монтажа.

! ВНИМАНИЕ!

При сверлении отверстия в стене соблюдайте осторожность, чтобы не повредить проводку, трубопроводы и другие чувствительные элементы.

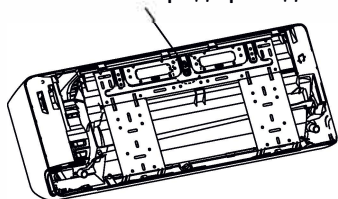


РАЗМЕРЫ МОНТАЖНОЙ ПЛАСТИНЫ

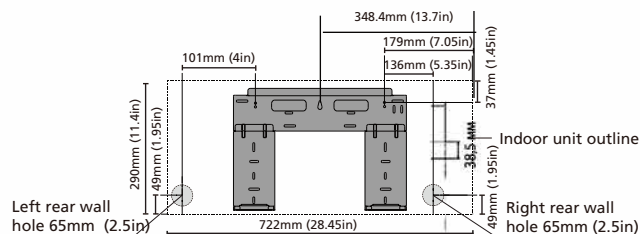
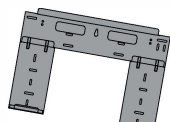
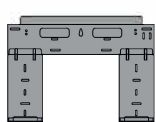
Различные модели имеют разные монтажные пластины. Чтобы помочь убедиться в наличии достаточного места для монтажа внутреннего блока, на рисунках справа представлены различные типы монтажных пластин со следующими размерами:

- ширина монтажной пластины;
- высота монтажной пластины;
- ширина внутреннего блока относительно пластины;
- высота внутреннего блока относительно пластины;
- рекомендуемое расположение отверстия в стене (слева и справа от монтажной пластины);
- относительные расстояния между отверстиями для винтов.

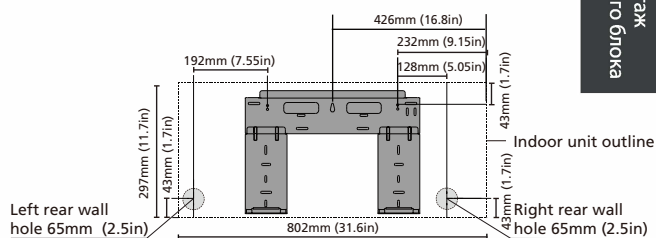
Для удобства транспортировки монтажная пластина закреплена винтами. Снимите их перед проведением монтажа.



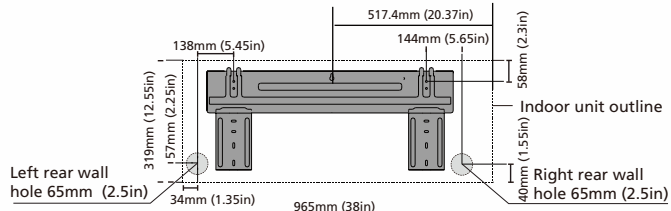
Правильное положение монтажной пластины



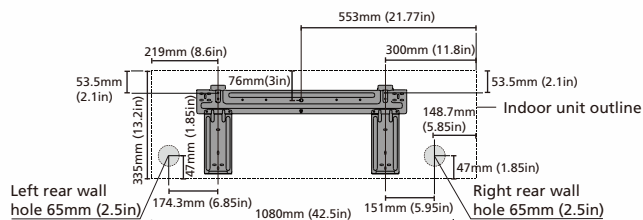
Model 9



Model 12



Model 18



Model 24

Монтаж
внутреннего блока

Шаг 4. Подготовить трубопровода хладагента
Трубопровод хладагента находится внутри теплоизолирующего рукава, прикрепленного сзади блока. Перед прокладкой трубопровода через отверстие в стене его необходимо подготовить. Подробные инструкции по развальцовке труб, требования к моментам затяжки конусных гаек, приемы работы и т. п. изложены в разделе «Соединение трубопровода хладагента» данного руководства.

1. Исходя из расположения отверстия в стене относительно монтажной пластины, выберите сторону, с которой трубопровод будет выходить из блока.
2. Если отверстие в стене расположено за блоком, оставьте съемную панель на месте. Если отверстие в стене расположено сбоку от внутреннего блока, удалите съемную пластмассовую панель с соответствующей стороны блока (см. рис. 3.3). При этом образуется паз, через который трубопровод можно вывести из блока. Если пластмассовую панель не удастся удалить руками, используйте игловидные кусачки.

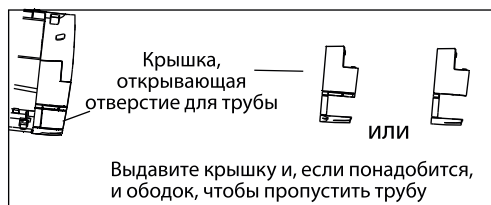
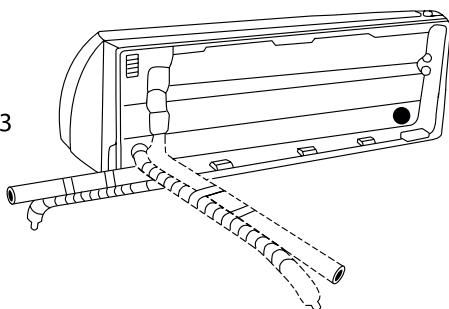


Рис. 3.3



3. Ножницами отрежьте теплоизолирующий рукав так, чтобы освободить приблизительно 15 см трубопровода хладагента. Это необходимо
 - для упрощения соединения трубопровода хладагента;
 - для проверки на отсутствие утечки газа и отсутствие заусенцев.
4. Если соединительный трубопровод в стену уже встроен, перейдите к шагу «Присоединить дренажный шланг». Если встроенный трубопровод отсутствует, присоедините трубопровод хладагента внутреннего блока к трубопроводу, соединяющему внутренний и наружный блоки. Подробные инструкции приведены в разделе «Соединение трубопровода хладагента» данного руководства.
5. В зависимости от того, где находится отверстие в стене относительно монтажной пластины, определите необходимый угол сгиба трубопровода.
6. Возьмитесь за трубопровод хладагента там, где должен начинаться изгиб.
7. Медленно, прикладывая равномерное усилие, согните трубопровод в направлении отверстия. Не допускайте образования вмятин и повреждений трубопровода во время изгиба.

ЗАМЕЧАНИЕ ОТНОСИТЕЛЬНО УГЛА ВЫХОДА ТРУБОПРОВОДА

Трубопровод хладагента может выходить из внутреннего блока с четырех сторон:

- слева;
- слева сзади;
- справа;
- справа сзади.

См. рис. 3.4.

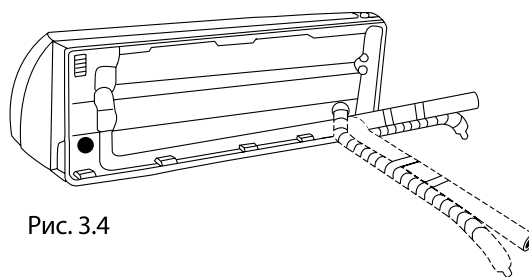


Рис. 3.4

ВНИМАНИЕ!

Соблюдайте особую осторожность, чтобы не допустить образования вмятин и повреждений трубопровода во время его изгиба и вывода от блока. Вмятины на трубопроводе снизят эффективность работы блока.

Шаг 5. Присоединить дренажный шланг

По умолчанию дренажный шланг присоединяется с левой стороны блока (если смотреть на блок сзади). Однако он также может присоединяться и с правой стороны.

1. Для обеспечения правильного дренажа присоединяйте дренажный шланг с той же стороны блока, с которой выходит трубопровод хладагента.
2. Присоедините удлинитель дренажного шланга (приобретается отдельно) к концу дренажного шланга.
3. Плотнo оберните место соединения тефлоновой лентой, чтобы обеспечить надежное уплотнение и предотвратить утечки.
4. Для предотвращения конденсации поместите участок дренажного шланга, находящийся в помещении, в теплоизолирующую трубку из вспененного материала.
5. Снимите воздушный фильтр, налейте небольшое количество воды в поддон для сбора конденсата и убедитесь в том, что вода беспрепятственно стекает.



ЗАМЕЧАНИЕ ОТНОСИТЕЛЬНО РАСПОЛОЖЕНИЯ ДРЕНАЖНОГО ШЛАНГА

Дренажный шланг должен быть расположен, как показано на рис. 3.5.

- ⊘ НЕ перегибайте дренажный шланг.
- ⊘ Не допускайте образования водяной ловушки (сифона).
- ⊘ Не помещайте конец дренажного шланга в воду или емкость, в которой будет собираться вода.

ЗАКРОЙТЕ ПРОБКой НЕИСПОЛЬЗУЕМОЕ ДРЕНАЖНОЕ ОТВЕРСТИЕ

Для предотвращения нежелательных утечек закройте неиспользуемое дренажное отверстие прилагаемой резиновой пробкой.

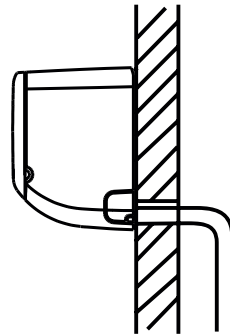


Рис. 3.5

ПРАВИЛЬНО
Чтобы обеспечить свободный слив, убедитесь в том, что на дренажном шланге нет перегибов и вмятин.

НЕПРАВИЛЬНО
Перегибы на дренажном шланге создадут водяные ловушки.

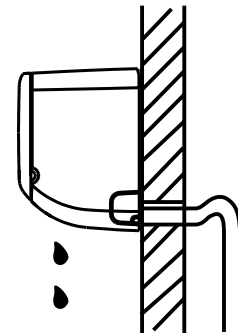


Рис. 3.6

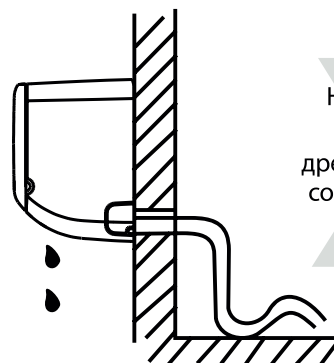


Рис. 3.7

НЕПРАВИЛЬНО
Перегибы на дренажном шланге создадут водяные ловушки.

НЕПРАВИЛЬНО
Не помещайте конец дренажного шланга в воду или емкость, в которой будет собираться вода. Это создаст препятствия сливу воды.

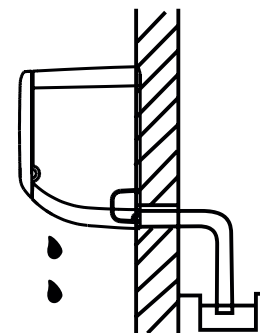


Рис. 3.8

ПРОЧИТЕ ЭТИ ПРАВИЛА ПЕРЕД НАЧАЛОМ ЭЛЕКТРОМОНТАЖНЫХ РАБОТ

1. Электропроводка должна выполняться квалифицированным электриком и соответствовать национальным и местным стандартам.
2. Все электрические соединения должны быть выполнены в соответствии со схемой электрических соединений, расположенной на панелях внутреннего и наружного блоков.
3. В случае возникновения серьезных проблем с обеспечением безопасности электропитания немедленно прекратите работу. Объясните причину заказчику и прекратите работы по монтажу блока, пока проблемы с обеспечением безопасности не будут устранены.
4. Напряжение питания должно находиться в пределах 90–100% от номинального. Недостаточная мощность источника электропитания может привести к неполадкам, поражению электрическим током или возгоранию.
5. Если электропитание подключается через стационарную электропроводку, установите устройство защиты от перенапряжения и выключатель питания, рассчитанные на ток в 1,5 раза превышающий максимальный потребляемый блоком ток.
6. Если электропитание подключается через стационарную электропроводку, установите в цепь электропитания размыкатель или автоматический выключатель, отключающий все фазы питания, при этом расстояние между разомкнутыми контактами должно составлять не менее 3 мм. Квалифицированный специалист должен использовать разрешенный к применению автоматический выключатель.
7. Подключайте блок только к розетке индивидуальной линии. Запрещается подключать к этой розетке другие электрические приборы.
8. Обязательно должным образом заземлите кондиционер.
9. Все соединения должны выполняться надежно. Неплотные соединения могут вызвать перегрев клемм, что приведет к сбою в работе изделия и может стать причиной возгорания.
10. Провода не должны касаться или прижиматься к трубопроводу хладагента, компрессору или к движущимся частям, расположенным внутри блока.
11. Если блок снабжен вспомогательным электрическим нагревателем, он должен быть установлен на расстоянии не менее 1 метра от легковоспламеняющихся материалов.

ОПАСНО!

ПЕРЕД НАЧАЛОМ ЭЛЕКТРОМОНТАЖНЫХ ИЛИ ЭЛЕКТРОТЕХНИЧЕСКИХ РАБОТ
ОТКЛЮЧИТЕ СЕТЕВОЕ ПИТАНИЕ.

Шаг 6. Подключить сигнальный кабель

Сигнальный кабель обеспечивает обмен данными между внутренним и наружным блоками. Перед подготовкой к подключению необходимо выбрать правильный диаметр кабеля.

Типы кабеля

- Силовой кабель для прокладки в помещении (если применимо): H05VV-F или H05V2V2-F
- Силовой кабель для прокладки вне помещения: H07RN-F
- Сигнальный кабель: H07RN-F

Минимальные поперечные сечения силового и сигнального кабелей
Северная Америка

Ток потребления (А)	Провод по стандарту AWG
10	18
13	16
18	14
25	12
30	10

Другие регионы

Номинальный ток потребления (А)	Номинальное поперечное сечение (мм ²)
>3 и ≤6	0,75
>6 и ≤10	1
>10 и ≤16	1,5
>16 и ≤25	2,5
>25 и ≤32	4
>32 и ≤40	6

ВЫБОР ПРАВИЛЬНОГО ДИАМЕТРА КАБЕЛЯ

Диаметр кабеля электропитания, сигнального кабеля, номиналы предохранителя и выключателя определяются максимальным током, потребляемым блоком. Максимальный потребляемый ток указан на табличке, расположенной на боковой панели блока. Для выбора нужных кабелей, предохранителя и выключателя воспользуйтесь данными таблички.

ОБРАТИТЕ ВНИМАНИЕ НА НОМИНАЛЫ ПРЕДОХРАНИТЕЛЯ

На печатной плате кондиционера имеется предохранитель для защиты схемы от перегрузки по току. Печатные платы содержат маркировку номиналов предохранителя, например: T3.15A/250VAC, T5A/250VAC и т.п.

1. Подготовьте кабель для подключения.
 - а. С помощью устройства для зачистки проводов снимите резиновую оболочку с обоих концов сигнального кабеля и откройте приблизительно 15 см находящихся внутри проводов.
 - б. Снимите изоляцию с концов проводов.
 - с. С помощью обжимных щипцов обожмите на концах проводов U-образные наконечники.

ОБРАТИТЕ ВНИМАНИЕ НА ФАЗОВЫЙ ПРОВОД

При обжатии проводов следует отличать фазовый провод («L») от остальных проводов.

2. Откройте переднюю панель внутреннего блока.
3. С помощью отвертки откройте крышку электрического щитка, расположенного с правой стороны блока. Это откроет доступ к клеммной колодке.

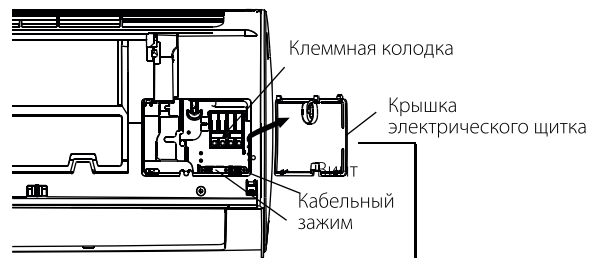


Рис. 3.9

Электрическая схема расположена на внутренней стороне крышки электрического щитка внутреннего блока.

⚠ ОПАСНО!

ЭЛЕКТРОПРОВОДКА ДОЛЖНА БЫТЬ ВЫПОЛНЕНА В СТРОГОМ СООТВЕТСТВИИ С ЭЛЕКТРИЧЕСКОЙ СХЕМОЙ, РАСПОЛОЖЕННОЙ НА ВНУТРЕННЕЙ СТОРОНЕ КРЫШКИ ЭЛЕКТРИЧЕСКОГО ЩИТКА ВНУТРЕННЕГО БЛОКА.

4. Отверните кабельный зажим, расположенный под клеммной колодкой, и отложите его в сторону.
5. Снимите пластмассовую панель, расположенную внизу блока с левой стороны, если смотреть с задней стороны блока.

6. Проложите сигнальный провод через паз, с задней части блока вперед.
7. Глядя с передней стороны блока, совместите цвета проводов с соответствующими метками на клеммной колодке, присоедините U-образные наконечники и надежно закрепите винтом каждый провод к соответствующей клемме.

! ВНИМАНИЕ!

НЕ МЕНЯЙТЕ МЕСТАМИ ФАЗОВЫЙ И НУЛЕВОЙ ПРОВОДА

Это опасно и может привести к неисправности кондиционера.

8. Проверьте надежность всех соединений, затем прикрепите сигнальный кабель к блоку кабельным зажимом. Надежно закрепите кабельный зажим винтами.
9. Установите на место крышку электрического щитка на переднюю сторону блока и пластмассовую панель на заднюю сторону.

! ЗАМЕЧАНИЕ ОТНОСИТЕЛЬНО ЭЛЕКТРОПРОВОДКИ

ПОРЯДОК ПОДКЛЮЧЕНИЯ ЭЛЕКТРОПРОВОДКИ МОЖЕТ НЕСКОЛЬКО ОТЛИЧАТЬСЯ ДЛЯ РАЗНЫХ БЛОКОВ.

Шаг 7. Обвязать трубопроводы и кабели
Прежде чем проложить трубопровод, дренажный шланг и сигнальный кабель через отверстие в стене, необходимо связать их вместе. Это необходимо для экономии места, защиты и теплоизоляции.

1. Обвяжите дренажный шланг, трубы хладагента и сигнальный кабель, как показано на рис. 3.12.

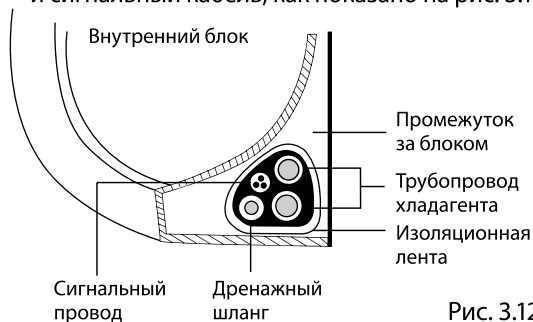


Рис. 3.12

ДРЕНАЖНЫЙ ШЛАНГ ДОЛЖЕН НАХОДИТЬСЯ ВНИЗУ

Убедитесь в том, что дренажный шланг находится в нижней части связки. Если дренажный шланг будет находиться в верхней части связки, это может привести к переполнению дренажного поддона, воспламенению и повреждению за счет воздействия воды.

НЕ СПЛЕТАЙТЕ СИГНАЛЬНЫЙ КАБЕЛЬ С ДРУГИМИ ПРОВОДАМИ

При обвязке не сплетайте и не допускайте пересечения сигнального кабеля с другими проводами.

2. С помощью липкой виниловой ленты прикрепите дренажный шланг к нижней стороне труб хладагента.
3. С помощью теплоизолирующей ленты плотно свяжите вместе сигнальный провод, трубы хладагента и дренажный шланг. Повторно проверьте, что комплект связан, как показано на рис. 3.12.

НЕ ОБВЯЗЫВАЙТЕ КОНЦЫ ТРУБОПРОВОДА

Обматывая весь комплект, оставьте концы трубопровода свободными. Доступ к ним необходим для проверки герметичности при завершении монтажа (см. раздел «Проверка электрооборудования и отсутствия утечек» данного руководства).

Шаг 8. Монтаж внутреннего блока

При монтаже нового соединительного трубопровода к наружному блоку выполните следующее.

1. Если трубопроводы хладагента уже проведены через отверстие в стене, перейдите к шагу 4.
2. В противном случае еще раз убедитесь в том, что концы труб хладагента герметично закрыты, чтобы предотвратить проникновение в трубы грязи или посторонних предметов.
3. Аккуратно проведите обвязанный комплект из труб хладагента, дренажного шланга и сигнального провода через отверстие в стене.
4. Закрепите верхнюю часть внутреннего блока за верхний крюк монтажной пластины.
5. Приложите небольшие усилия с левой и правой сторон блока и убедитесь в том, что блок надежно закреплен на монтажной пластине. Блок не должен качаться или сдвигаться.
6. Прикладывая равномерное усилие, потяните вниз за нижнюю половину блока. Продолжайте тянуть блок вниз, пока он не закрепится за крюки, расположенные в нижней части монтажной пластины.
7. Еще раз приложите небольшие усилия с левой и правой сторон блока и убедитесь в том, что блок надежно закреплен на монтажной пластине.

Если трубопровод хладагента уже вмонтирован в стену, выполните следующее.

1. Закрепите верхнюю часть внутреннего блока за верхний крюк монтажной пластины.
2. С помощью скобы или клина подоприте блок, чтобы обеспечить достаточно места для присоединения трубопровода хладагента, сигнального кабеля и дренажного шланга (см. рис. 3.13).

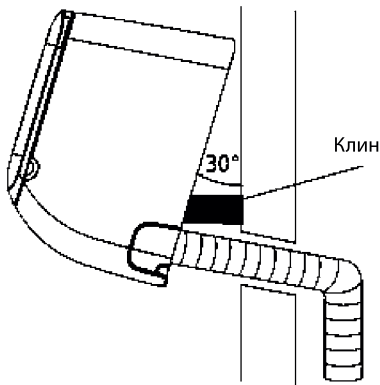
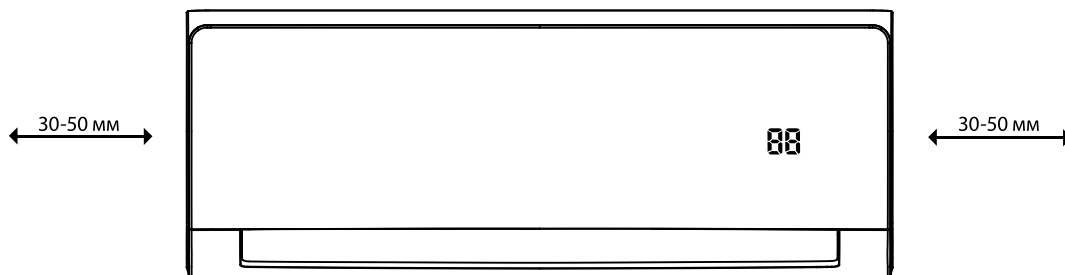


Рис. 3.13

3. Присоедините дренажный шланг и трубопровод хладагента (см. инструкции в разделе «Соединение трубопровода хладагента» данного руководства).
4. Место соединения трубы должно быть открыто для проведения проверки на отсутствие утечек (см. раздел «Проверка электрооборудования и отсутствия утечек» данного руководства).
5. После проверки на отсутствие утечек оберните место соединения теплоизолирующей лентой.
6. Удалите кронштейн или клин, на который опирался блок.
7. Прикладывая равномерное усилие, потяните вниз за нижнюю половину блока. Продолжайте тянуть блок вниз, пока он не закрепится за крюки, расположенные в нижней части монтажной пластины.

ПОЛОЖЕНИЕ БЛОКА РЕГУЛИРУЕТСЯ

Имейте в виду, что крюки монтажной пластины меньше, чем отверстия в задней части блока. Если места для присоединения встроенных труб к внутреннему блоку недостаточно, блок можно сдвинуть влево или вправо приблизительно на 30–50 мм в зависимости от модели (см. рис. 3.14).



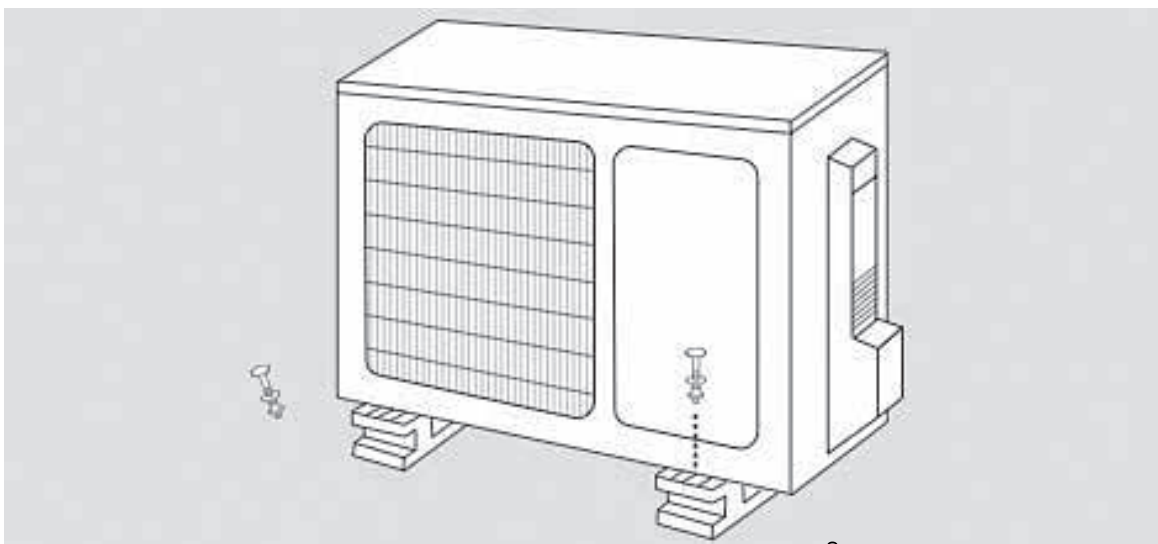
Перемещение по горизонтали

Рис. 3.14

Монтаж наружного блока

5

Монтаж
наружного блока



Инструкции по монтажу: наружный блок

Шаг 1. Выбрать место для установки
Перед монтажом наружного блока следует выбрать подходящее место. Ниже приведены условия, выполнение которых позволит подобрать подходящее место.

Место для установки блока должно удовлетворять следующим требованиям.

- Соответствовать всем требованиям по зазорам, показанным на рис. 4.1.
- Обеспечивать хорошую циркуляцию воздуха и вентиляцию.
- Обладать достаточной жесткостью и прочностью, чтобы выдерживать вес блока и не вибрировать
- Шум при работе блока не должен беспокоить других людей
- Быть защищенным от длительного воздействия прямого солнечного света и дождя.

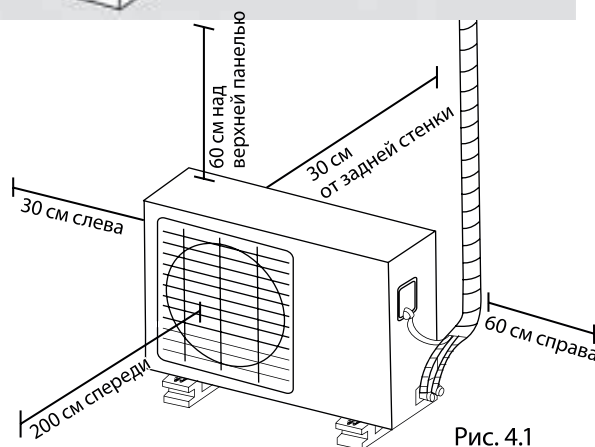


Рис. 4.1

ЗАПРЕЩАЕТСЯ

устанавливать блок в следующих местах.

- Рядом с препятствиями, которые блокируют входы и выходы воздуха
- С выходом на тротуары, людные места или там, где шум работающего устройства будет причинять беспокойство окружающим
- Рядом с местами содержания животных или рядом с растениями, которым вреден выходящий горячий воздух
- Возле источников горючих газов.
- В местах, подверженных сильному запылению
- В местах с высоким содержанием солей в воздухе.

ПРЕДУПРЕЖДЕНИЯ ОТНОСИТЕЛЬНО ЭКСТРЕМАЛЬНЫХ ПОГОДНЫХ УСЛОВИЙ

Если в месте установки наружного блока дует сильный ветер, устанавливайте блок так, чтобы вентилятор воздуховыпускного отверстия располагался под углом 90° по отношению к направлению ветра. При необходимости установите перед блоком экран для защиты от чрезмерно сильных ветров. См. рис. 4.2 и 4.3 далее.

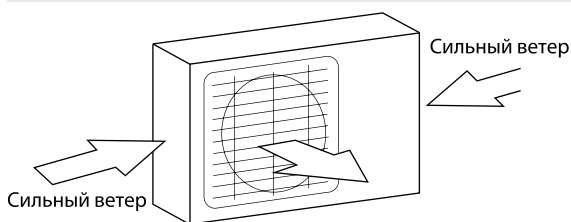


Рис. 4.2

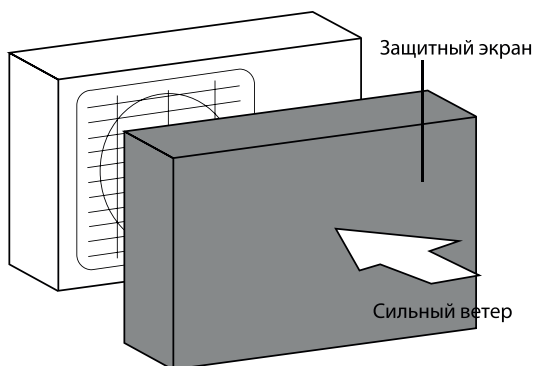


Рис. 4.3

Если блок часто подвержен воздействию сильных дождей или снегопадов. Установите над блоком навес для защиты от дождя и снега. Соблюдайте осторожность, чтобы не создать препятствия движению воздуха вокруг блока. Если блок часто подвержен воздействию воздуха с высоким содержанием солей (у морского побережья). Используйте наружный блок с повышенной коррозионной стойкостью.

Шаг 2. Установить дренажный патрубок

Для блоков с тепловым насосом необходим дренажный патрубок. Прежде чем закрепить наружный блок на месте болтами, необходимо установить дренажный патрубок у дна блока. Заметьте, что в зависимости от типа наружного блока используются дренажные патрубки двух типов.

Если дренажный патрубок поставляется с резиновым уплотнением (см. рис. 4.4-А), выполните следующие действия.

1. Установите резиновое уплотнение на конец дренажного патрубка, который будет присоединен к наружному блоку.
2. Вставьте дренажный патрубок в отверстие в поддоне блока.
3. Поверните дренажный патрубок на 90°, чтобы он зафиксировался на месте со щелчком в положении, когда он направлен к передней стороне блока.
4. Присоедините удлинитель дренажного шланга (не входит в комплект) к дренажному патрубку, чтобы отводить воду от блока в режиме нагрева.

Если дренажный патрубок поставляется без резинового уплотнения (см. рис. 4.4-В), выполните следующие действия.

1. Вставьте дренажный патрубок в отверстие в поддоне блока. Дренажный патрубок зафиксирован на месте со щелчком.
2. Присоедините удлинитель дренажного шланга (не входит в комплект) к дренажному патрубку, чтобы отводить воду от блока в режиме нагрева.

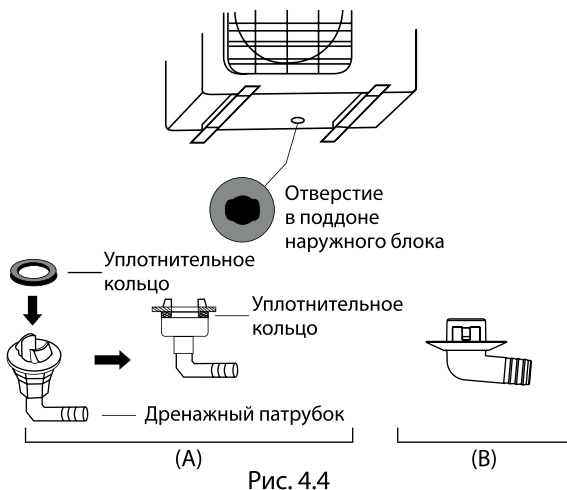


Рис. 4.4

! В УСЛОВИЯХ ХОЛОДНОГО КЛИМАТА

В условиях холодного климата дренажный шланг должен быть расположен вертикально, насколько это возможно, чтобы обеспечить быстрый слив воды. Если вода будет стекать слишком медленно, она может замерзнуть в шланге, что приведет к затоплению блока.

Шаг 3. Закрепить наружный блок

Наружный блок можно прикрепить к основанию или к настенному кронштейну.

УСТАНОВОЧНЫЕ РАЗМЕРЫ БЛОКА

Ниже приведен перечень размеров различных блоков и расстояние между монтажными опорами. Подготовьте монтажное основание для блока в соответствии с приведенными далее размерами.

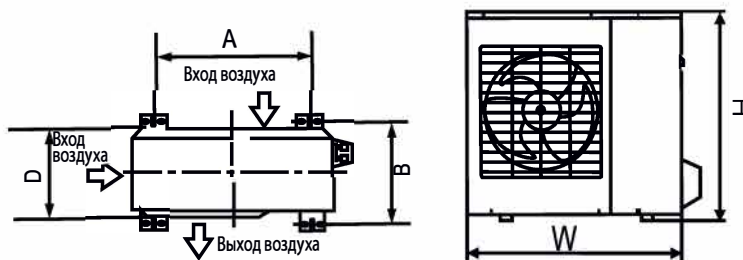


Рис. 4.5

	Габариты наружного блока (мм)		Установочные размеры	
	ШхВхГ		Расстояние А (мм)	Расстояние В (мм)
AW-YHDH009-H91 AW-YHDH012-H91	770 x 555 x 300		487	298
AW-YHDH018-H91	800 x 554 x 333		514	340
AW-YHDH024-H91	845 x 700 x 340		540	350

Для установки блока на основании или на бетонной монтажной платформе, выполните следующие действия.

1. Отметьте положение четырех анкерных болтов на основе размеров, приведенных в таблице установочных размеров блоков.
2. Просверлите отверстия для анкерных болтов.
3. Очистите отверстия от бетонной пыли.
4. Наверните гайку на конец каждого анкерного болта.
5. Забейте анкерные болты в просверленные отверстия.
6. Отверните гайки с анкерных болтов и установите наружный блок на болты.
7. Наденьте шайбы на все анкерные болты, затем наверните гайки.
8. С помощью ключа затяните гайки до упора.

⚠ ОПАСНО!

ПРИ СВЕРЛЕНИИ БЕТОНА РЕКОМЕНДУЕТСЯ ИСПОЛЬЗОВАТЬ ЗАЩИТНЫЕ ОЧКИ.

Для установки блока на настенный кронштейн выполните следующие действия.

ВНИМАНИЕ!

Перед монтажом настенного блока убедитесь в том, что стена выполнена из кирпича, бетона или аналогичного прочного материала. Стена должна быть способна выдержать вес, не менее чем в четыре раза превосходящий вес блока.

1. Отметьте положение отверстий кронштейна на основе размеров, приведенных в таблице установочных размеров блоков.
2. Просверлите отверстия для анкерных болтов.
3. Очистите отверстия от пыли и мусора.
4. Наденьте шайбу и наверните гайку на конец каждого анкерного болта.
5. Вверните анкерные болты в отверстия монтажных кронштейнов, установите монтажные кронштейны на место и забейте анкерные болты в стену.
6. Убедитесь в том, что монтажные кронштейны расположены горизонтально.
7. Осторожно поднимите блок и поместите монтажные опоры блока на кронштейны.
8. Надежно прикрепите блок к кронштейнам болтами.

СНИЖЕНИЕ ВИБРАЦИИ НАСТЕННОГО БЛОКА

Если это допустимо, настенный блок можно смонтировать с резиновыми прокладками для снижения вибрации и шума.

Шаг 4. Подключить сигнальный и силовой кабели
Клеммная колодка наружного блока защищена крышкой электрического щитка, расположенной на боковой стенке блока. На внутренней стороне крышки электрического щитка напечатана подробная электрическая схема.

ПРОЧТИТЕ ЭТИ ПРАВИЛА ПЕРЕД НАЧАЛОМ ЭЛЕКТРОМОНТАЖНЫХ РАБОТ

1. Электропроводка должна выполняться квалифицированным электриком и соответствовать национальным и местным стандартам.
2. Все электрические соединения должны быть выполнены в соответствии со схемой электрических соединений, расположенной на боковых панелях внутреннего и наружного блоков.
3. В случае возникновения серьезных проблем с обеспечением безопасности электропитания немедленно прекратите работу. Объясните причину заказчику и прекратите работы по монтажу блока, пока проблемы с обеспечением безопасности не будут устранены.
4. Напряжение питания должно находиться в пределах 90–100% от номинального. Недостаточная мощность электропитания может привести к поражению электрическим током или воспламенению.
5. Если электропитание подключается через стационарную электропроводку, установите устройство защиты от перенапряжения и выключатель питания, рассчитанные на ток в 1,5 раза превышающий максимальный потребляемый блоком ток.
6. Если электропитание подключается через стационарную электропроводку, установите в цепь электропитания размыкатель или автоматический выключатель, отключающий все фазы питания, при этом расстояние между разомкнутыми контактами должно составлять не менее 3 мм. Квалифицированный специалист должен использовать сертифицированный автоматический выключатель или размыкатель.
7. Подключайте блок только к розетке индивидуальной линии. Запрещается подключать к этой розетке другие электрические приборы.
8. Обязательно должным образом заземлите кондиционер.
9. Все соединения должны выполняться надежно. Неплотные соединения могут вызвать перегрев клемм, что приведет к сбою в работе изделия и может стать причиной воспламенения.
10. Провода не должны касаться или прижиматься к трубопроводу хладагента, компрессору или к движущимся частям, расположенным внутри блока.
11. Если блок снабжен вспомогательным электрическим нагревателем, он должен быть установлен на расстоянии не менее 1 метра от легковоспламеняющихся материалов.

! ОПАСНО!

ПЕРЕД НАЧАЛОМ ЭЛЕКТРОМОНТАЖНЫХ ИЛИ ЭЛЕКТРОТЕХНИЧЕСКИХ РАБОТ ОТКЛЮЧИТЕ СЕТЕВОЕ ПИТАНИЕ.

1. Подготовьте кабель для подключения.

ИСПОЛЬЗУЙТЕ СООТВЕТСТВУЮЩИЙ КАБЕЛЬ

- Силовой кабель для прокладки в помещении (если применимо): H05VV-F или H05V2V2-F
- Силовой кабель для прокладки вне помещения: H07RN-F
- Сигнальный кабель: H07RN-F

Минимальные поперечные сечения силового и сигнального кабелей
Северная Америка

Ток потребления (А)	Провод по стандарту AWG
10	18
13	16
18	14
25	12
30	10

Другие регионы

Номинальный ток потребления (А)	Номинальное поперечное сечение (мм ²)
>3 и ≤6	0,75
>6 и ≤10	1
>10 и ≤16	1,5
>16 и ≤25	2,5
>25 и ≤32	4
>32 и ≤40	6

- а. С помощью устройства для зачистки проводов снимите резиновую оболочку с обоих концов кабеля и откройте приблизительно 15 см находящихся внутри проводов.
- б. Снимите изоляцию с концов проводов.
- в. С помощью обжимных щипцов обожмите на концах проводов U-образные наконечники.

ОБРАТИТЕ ВНИМАНИЕ НА ФАЗОВЫЙ ПРОВОД

При обжати проводов следует отличать фазовый провод («L») от остальных проводов.

! ОПАСНО!

ЭЛЕКТРОПРОВОДКА ДОЛЖНА БЫТЬ ВЫПОЛНЕНА В СТРОГОМ СООТВЕТСТВИИ С ЭЛЕКТРИЧЕСКОЙ СХемой, РАСПОЛОЖЕННОЙ НА ВНУТРЕННЕЙ СТОРОНЕ КРЫШКИ ЭЛЕКТРИЧЕСКОГО ЩИТКА НАРУЖНОГО БЛОКА.

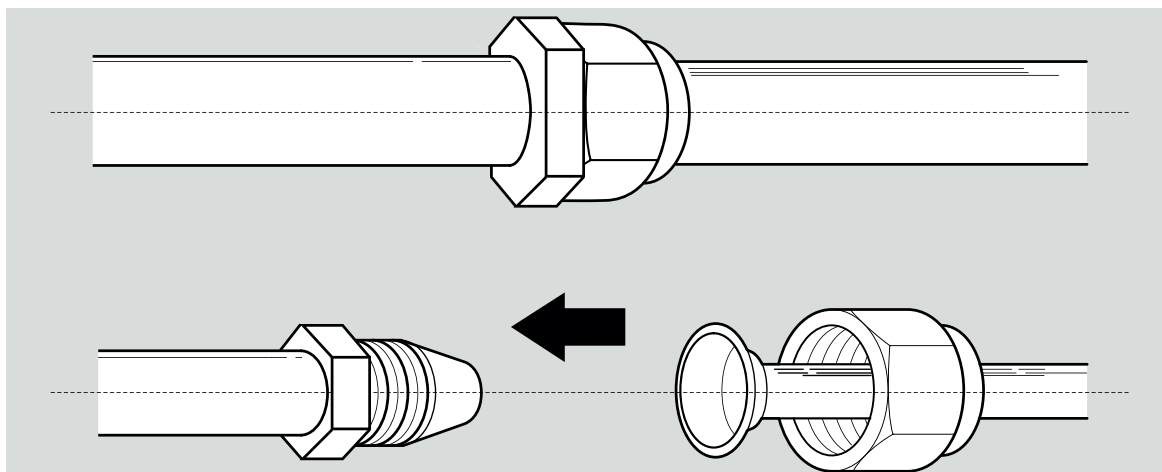
2. Отверните винты на крышке электрического щитка и снимите крышку.
3. Отверните кабельный зажим, расположенный под клеммной колодкой, и отложите его в сторону.
4. Совместите цвета проводов / этикетки с метками на клеммной колодке и надежно прикрепите винтом U-образный наконечник каждого провода к соответствующей клемме.
5. Проверьте надежность каждого соединения, затем оберните провода вокруг, чтобы предотвратить попадание дождевой воды на клеммную колодку.
6. Прикрепите кабель к блоку кабельным зажимом. Надежно закрепите кабельный зажим винтами.
7. Изолируйте неиспользуемые провода поливинилхлоридной изоляционной лентой. Они не должны соприкасаться с металлическими или токопроводящими частями.
8. Установите на место крышку электрического щитка на боковую сторону блока и закрепите ее винтами.



Рис. 4.6

Соединение трубопровода хладагента

6



Замечание относительно длины трубопровода

Длина трубопровода хладагента влияет на характеристики и энергоэффективность блока. Номинальная эффективность проверена с блоками с длиной трубы 5 метров.

См. таблицу ниже, где указана максимальная длина и перепад высот трубопровода

Максимальная длина и перепад высот трубопровода хладагента для различных моделей

Модель	Производительность (БТЕ/ч)	Макс. длина (м)	Макс. перепад высот (м)
Инверторная сплит-система с хладагентом R410A	< 15 000	25	10
	≥ 15 000 и < 24 000	30	20
	≥ 24 000 и < 36 000	50	25
	≥ 36 000 и < 60 000	65	30

Инструкции по соединению трубопровода хладагента

Шаг 1. Отрезать трубы

При подготовке труб хладагента особое внимание уделяйте правильной резке и развальцовке. Это обеспечит эффективную работу и сведет к минимуму необходимость последующего технического обслуживания.

1. Измерьте расстояние между внутренним и наружным блоками.

- С помощью трубореза отрежьте трубу несколько большей длины, чем измеренное расстояние.
- Труба должна быть отрезана строго под углом 90°. Примеры неправильно отрезанных труб показаны на рис. 5.1.

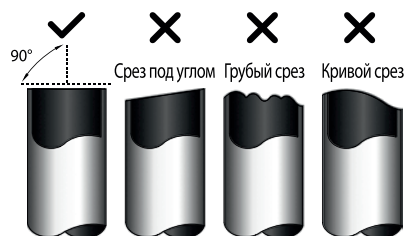


Рис. 5.1



**НЕ ДЕФОРМИРУЙТЕ ТРУБУ
ВО ВРЕМЯ РЕЗКИ!**

Соблюдайте особую осторожность, чтобы не повредить, не деформировать и не смять трубу во время резки. Это значительно снизит тепловые характеристики кондиционера.

Шаг 2. Зачистить края

Заусенцы могут нарушить уплотнение соединения трубопровода хладагента. Их необходимо полностью удалить.

1. Удерживайте трубу наклоненной вниз, чтобы предотвратить попадание заусенцев в трубу.
2. С помощью развертки или инструмента для снятия заусенцев удалите все заусенцы с места разреза трубы.

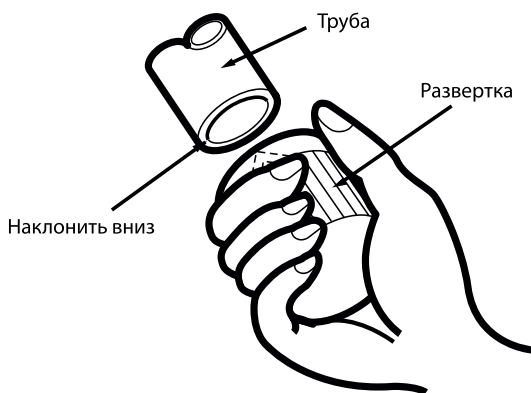


Рис. 5.2

Шаг 3. Развальцевать концы труб

Правильная развальцовка имеет большое значение для герметичного уплотнения.

1. После удаления заусенцев с места разреза трубы герметично закройте концы поливинилхлоридной лентой, чтобы предотвратить попадание в трубу посторонних материалов.
2. Поместите трубу в теплоизоляционный материал.
3. Наденьте конусные гайки на оба конца трубы. Гайки должны быть ориентированы в правильном направлении, поскольку после развальцовки гайки нельзя будет надеть или изменить их ориентацию. См. рис. 5.3.

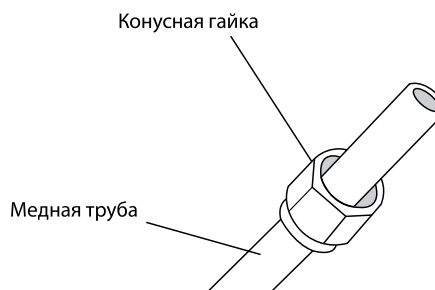


Рис. 5.3

4. Снимите поливинилхлоридную ленту с концов трубы, когда будете готовы выполнить развальцовку.
5. Зажмите форму для развальцовки на конце трубы. Конец трубы должен выступать за край формы для развальцовки согласно размерам, указанным в следующей таблице.

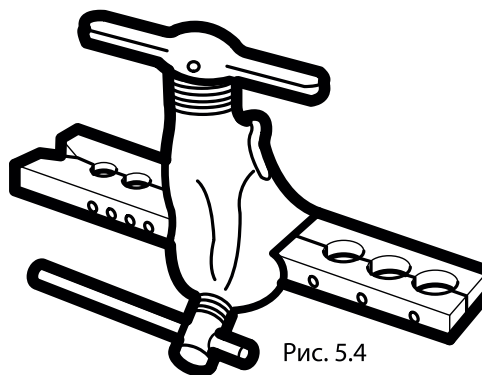


Рис. 5.4

ДЛИНА ВЫСТУПАЮЩЕГО ЗА ФОРМУ ДЛЯ РАЗВАЛЬЦОВКИ КОНЦА ТРУБЫ

Наружный диаметр трубы (мм)	А (мм)	
	Мин.	Макс.
Ø 6,35 (Ø 0.25")	0,7 (0,0275")	1,3 (0,05")
Ø 9,52 (Ø 0.25")	1,0 (0,04")	1,6 (0,063")
Ø 12,7 (Ø 0.5")	1,0 (0,04")	1,8 (0,07")
Ø 16 (Ø 0.63")	2,0 (0,078")	2,2 (0,086")

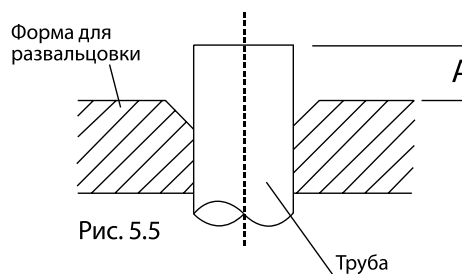


Рис. 5.5

6. Установите инструмент для развальцовки на форму.
7. Поворачивайте рукоятку инструмента для развальцовки против часовой стрелки, пока труба не будет полностью развальцована.
8. Снимите инструмент для развальцовки и форму для развальцовки, затем осмотрите конец трубы и убедитесь в отсутствии трещин и ровности развальцовки.

Шаг 4. Соединить трубы

Соблюдайте осторожность при соединении труб хладагента, не прикладывайте чрезмерный крутящий момент и не допускайте деформации трубопровода. Сначала соедините трубу низкого давления, затем трубу высокого давления.

МИНИМАЛЬНЫЙ РАДИУС ИЗГИБА

Минимальный радиус изгиба трубопровода хладагента составляет 10 см (см. рис. 5.6).

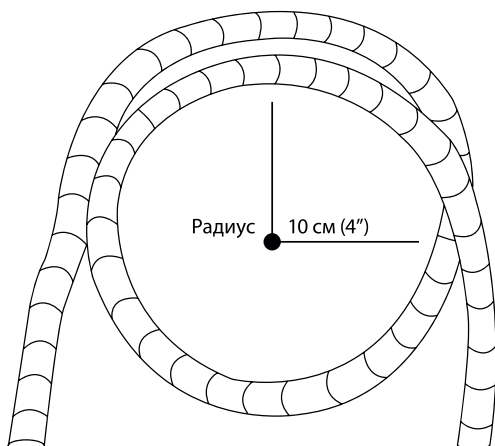


Рис. 5.6

Инструкции по присоединению трубопровода к внутреннему блоку

1. Совместите центры двух соединяемых труб. См. рис. 5.7.

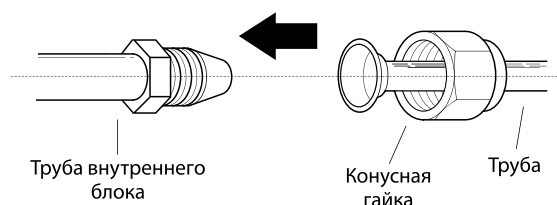


Рис. 5.7

2. Затяните конусную гайку от руки до упора.
3. Захватите ключом гайку на патрубке блока.
4. Надежно удерживая гайку на патрубке блока, динамометрическим ключом затяните конусную гайку с моментом затяжки, указанным в следующей таблице. Слегка ослабьте конусную гайку, затем затяните снова.

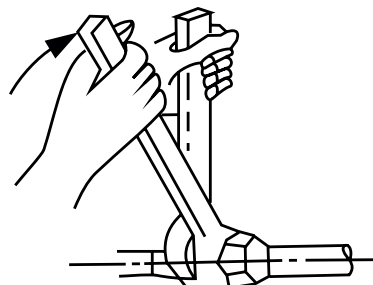


Рис. 5.8

Подсоединение
трубопровода
хладагента

МОМЕНТЫ ЗАТЯЖКИ

Наружный диаметр трубы (мм)	Момент затяжки (Н·см)	Дополнительный момент затяжки (Н·см)
Ø 6,35 (Ø 0.25")	1 500	1 600
Ø 9,52 (Ø 0.25")	2 500	2 600
Ø 12,7 (Ø 0.5")	3 500	3 600
Ø 16 (Ø 0.63")	4 500	4 700

! НЕ ПРИКЛАДЫВАЙТЕ ЧРЕЗМЕРНЫХ УСИЛИЙ ПРИ ЗАТЯЖКЕ

Чрезмерное усилие может привести к разрушению гайки или повреждению трубопровода хладагента. Не превышайте моменты затяжки, указанные в приведенной выше таблице.

Инструкции по присоединению трубопровода к наружному блоку

1. Отверните крышку вентиля, расположенную сбоку наружного блока (см. рис. 5.9).

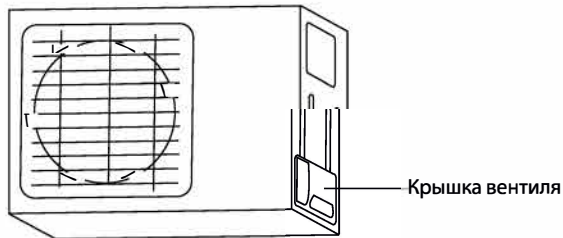


Рис. 5.9

2. Снимите защитные колпачки с концов вентиля.
3. Совместите развальцованные трубы с каждым вентиляем и затяните конусную гайку от руки до упора.
4. Захватите ключом корпус вентиля. Не захватывайте ключом гайку, которая уплотняет сервисный вентиль (см. рис. 5.10).

! ЗАХВАТИТЕ КЛЮЧОМ КОРПУС ВЕНТИЛЯ

Если конусную гайку затягивать слишком сильно, могут отломиться другие детали вентиля.

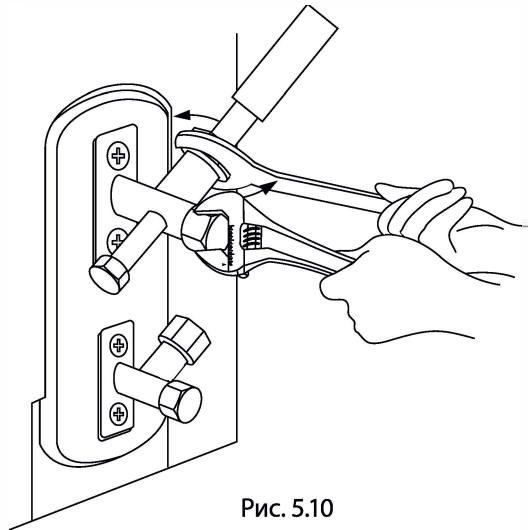
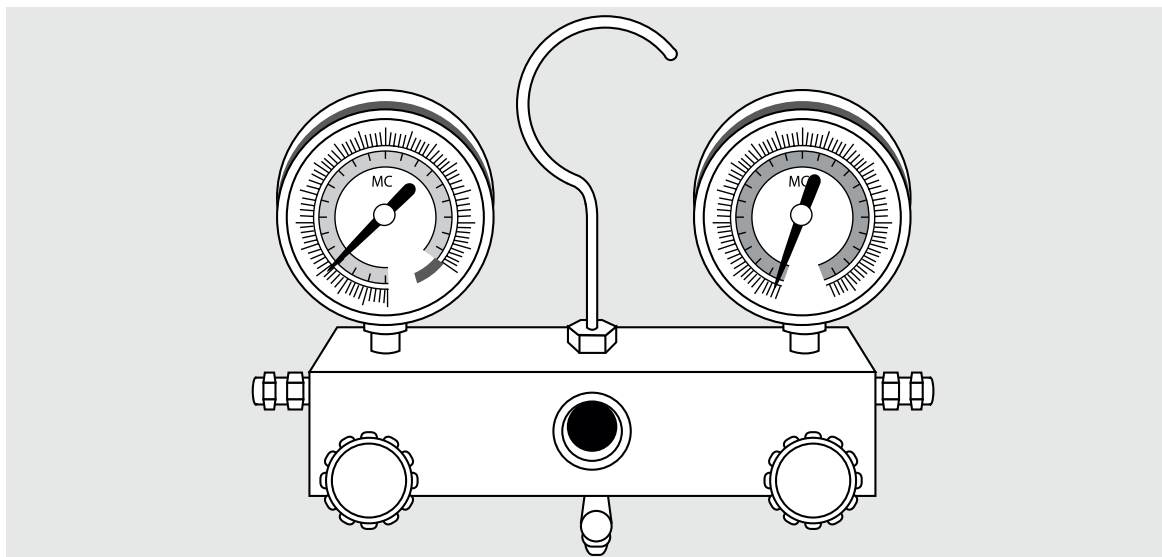


Рис. 5.10

5. Пользуйтесь динамометрическим ключом. Удерживая корпус вентиля, затяните конусную гайку с рекомендованным моментом.
6. Слегка ослабьте конусную гайку, затем затяните снова.
7. Повторите действия пунктов 3-6 применительно к остальным трубам.

наружный блок	холодильный/GWP	Заряд(5m) (Kg)
AW-YHDH009-H91	R32/675	0,7
AW-YHDH012-H91	R32/675	0,8
AW-YHDH018-H91	R32/675	1,25
AW-YHDH024-H91	R32/675	1,6



Подготовка и меры предосторожности

Наличие воздуха и других посторонних веществ в холодильном контуре может вызвать резкий рост давления, это может привести к повреждению кондиционера, снижению эффективности и стать причиной травм. С помощью вакуумного насоса и распределителя откачайте холодильный контур и удалите из системы неконденсирующиеся газы и влагу.

Откачку следует выполнять после первоначального монтажа и при перемещении блока.

ПЕРЕД НАЧАЛОМ ОТКАЧКИ

- ☑ Убедитесь, что трубы высокого и низкого давления между внутренним и наружным блоками присоединены правильно — в соответствии с разделом «Соединение трубопроводов хладагента» данного руководства.
- ☑ Убедитесь в правильности выполнения электропроводки.

Инструкции по удалению воздуха

Перед использованием распределителя и вакуумного насоса прочтите соответствующие инструкции по эксплуатации, чтобы ознакомиться с правильным порядком их применения.

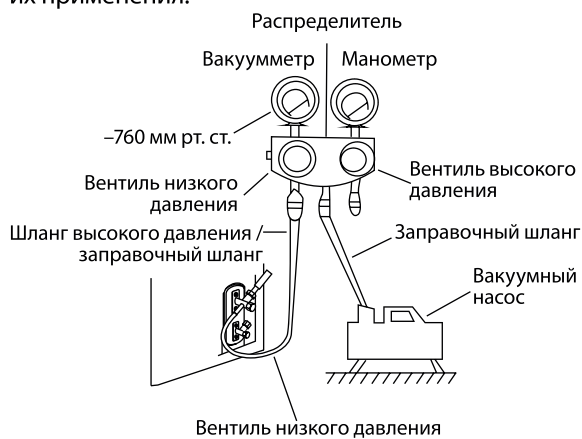


Рис. 6.1

1. Присоедините заправочный шланг распределителя к сервисному порту вентиля низкого давления наружного блока.
2. Соедините еще одним заправочным шлангом распределитель и вакуумный насос.

3. Откройте вентиль низкого давления на распределителе. Вентиль высокого давления должен быть закрыт.
4. Включите вакуумный насос и откачайте систему.
5. Дайте вакуумному насосу поработать не менее 15 минут или до тех пор, пока вакуумметр не покажет значение -760 мм рт. ст. (-10^5 Па).
6. Закройте вентиль низкого давления распределителя и выключите вакуумный насос.
7. Подождите 5 минут и убедитесь в том, что давление в системе не меняется.
8. Если давление в системе изменилось, см. информацию по проверке отсутствия утечек в разделе «Проверка отсутствия утечек газа». Если давление в системе не изменилось, отверните колпачок вентиля высокого давления.
9. Вставьте шестигранный ключ в вентиль высокого давления, затем откройте вентиль, повернув ключ на $1/4$ оборота против часовой стрелки. Слушайте, как газ выходит из системы, затем через 5 секунд закройте вентиль.
10. Следите за показаниями манометра в течение одной минуты и убедитесь в том, что давление в системе не меняется. Манометр должен показывать давление несколько выше атмосферного.

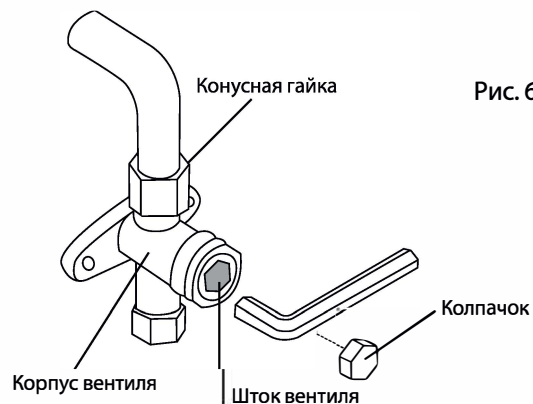


Рис. 6.2

11. Отсоедините заправочный шланг от сервисного порта.
12. С помощью шестигранного ключа полностью откройте клапаны высокого и низкого давления.
13. Затяните колпачки всех трех вентилях (сервисного порта, высокого давления и низкого давления) от руки. При необходимости затем можно затянуть их динамометрическим ключом.

! ШТОКИ ВЕНТИЛЕЙ ОТКРЫВАЙТЕ ОСТОРОЖНО

При открытии штоков вентилях поворачивайте шестигранный ключ, пока шток не дойдет до упора. Не пытайтесь с усилием открывать вентиль дальше.

Замечания относительно заправки дополнительного количества хладагента

В зависимости от длины труб, некоторые системы требуют дополнительной заправки хладагента. Стандартная длина труб варьируется в зависимости от местных норм. Например, для Северной Америки стандартная длина трубы составляет 7,5 м.

В других регионах стандартная длина трубы принята равной 5 м. Расчет дополнительного количества хладагента выполняется по следующей формуле. Откачку следует выполнять после первоначального монтажа и при перемещении блока.

ДОПОЛНИТЕЛЬНОЕ КОЛИЧЕСТВО ХЛАДАГЕНТА В ЗАВИСИМОСТИ ОТ ДЛИНЫ ТРУБЫ

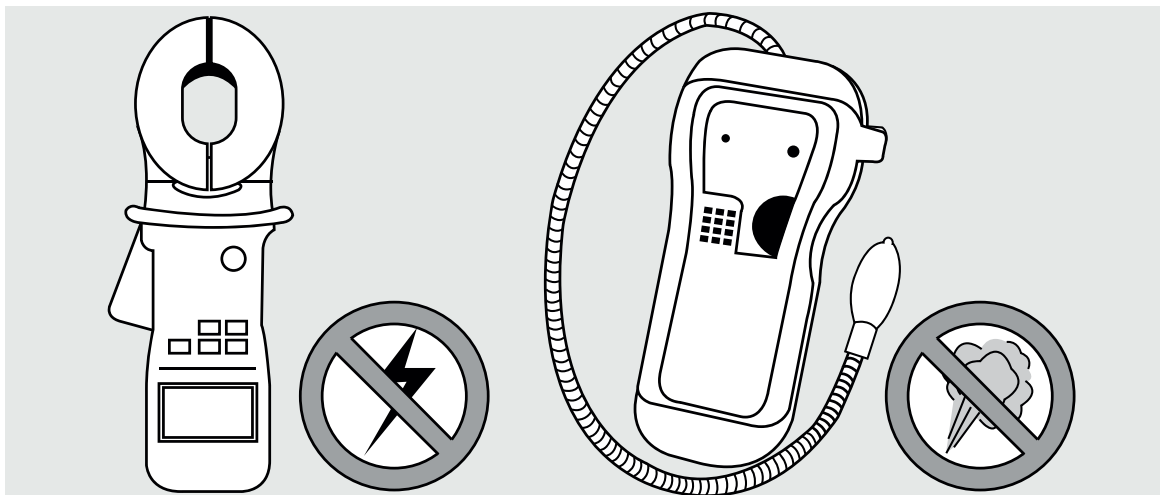
Длина соединительной трубы (м)	Способ вакуумирования	Дополнительное количество хладагента	
\leq стандартной длины трубы	Вакуумный насос	Н/П	
$>$ стандартной длины трубы	Вакуумный насос	Жидкостная труба $\varnothing 6,35$ ($\varnothing 0.25$ " Хладагент R410A для моделей с инверторной технологией: (длина трубы – стандартная длина) $\times 15$ г/м	Жидкостная труба: $\varnothing 9,52$ ($\varnothing 0.25$ " Хладагент R410A для моделей с инверторной технологией: (длина трубы – стандартная длина) $\times 30$ г/м
		Хладагент R410A для моделей с фиксированной частотой: (длина трубы – стандартная длина) $\times 20$ г/м	Хладагент R410A для моделей с фиксированной частотой: (длина трубы – стандартная длина) $\times 40$ г/м

! ВНИМАНИЕ!

НЕ СМЕШИВАЙТЕ различные хладагенты.

Проверка электрооборудования и отсутствия утечек газа

8



Проверка электробезопасности

После монтажа убедитесь в том, что электропроводка выполнена в соответствии с местными и государственными нормами и согласно данной инструкции по монтажу.

ПЕРЕД ТЕСТОВЫМ ЗАПУСКОМ

Проверьте надежность заземления. Осмотрите цепи заземления и измерьте сопротивление заземления соответствующим прибором. Сопротивление заземления не должно превышать 4 Ом.
Примечание: в некоторых регионах США это требование не является необходимым.

ВО ВРЕМЯ ТЕСТИРОВАНИЯ

Проверьте систему на отсутствие утечки тока. Во время тестирования проведите тщательную проверку на отсутствие утечек с помощью мультиметра и электрического зонда или аналогичного прибора.
При обнаружении утечки немедленно выключите блок и обратитесь к квалифицированному электрику для нахождения и устранения причины утечки.
Примечание: в некоторых регионах США это требование не является необходимым.



ОПАСНО! РИСК ПОРАЖЕНИЯ ЭЛЕКТРИЧЕСКИМ ТОКОМ

ЭЛЕКТРОПРОВОДКА ДОЛЖНА ВЫПОЛНЯТЬСЯ КВАЛИФИЦИРОВАННЫМ ЭЛЕКТРИКОМ И СООТВЕТСТВОВАТЬ НАЦИОНАЛЬНЫМ И МЕСТНЫМ СТАНДАРТАМ.

Проверка отсутствия утечки газа

Для проверки утечки газа используются два метода.

С применением мыла и воды.

С помощью мягкой кисти нанесите раствор мыла или жидкого моющего средства на все соединения трубопровода наружного и внутреннего блоков. Наличие пузырьков указывает на утечку.

С помощью течеискателя

Инструкции по правильному использованию течеискателя приведены в инструкции по эксплуатации прибора.

ДЕЙСТВИЯ ПОСЛЕ ПРОВЕРКИ ОТСУТСТВИЯ УТЕЧЕК ГАЗА

После завершения проверки отсутствия утечек во всех соединениях труб установите на место крышку вентиля наружного блока.

Проверка
электрооборудования
и отсутствия
утечек газа

Тестовой запуск

9

Действия перед тестовым запуском

Тестовой запуск следует проводить только после выполнения следующих действий.

- Проверка электробезопасности. Убедитесь в безопасности и правильности функционирования электрической системы.
- Проверка отсутствия утечек газа. Проверьте все соединения с конусными гайками и убедитесь в отсутствии утечек в системе.
- Убедитесь в том, что вентили газа и жидкости (высокого и низкого давления) полностью открыты.

Инструкции по тестовому запуску

Тестовой запуск необходимо проводить в течение не менее 30 минут.

1. Подключите электропитание к блоку.
2. Нажмите кнопку «ON/OFF» на ПДУ для включения кондиционера.
3. Нажимайте кнопку MODE [Режим], чтобы последовательно выбрать следующие функции:
 - COOL [Охлаждение]. Выберите минимально возможную температуру;
 - HEAT [Нагрев]. Выберите максимально возможную температуру.
4. Дайте кондиционеру поработать в каждом режиме в течение 5 минут и проверьте следующее.

Перечень необходимых проверок	Проверка пройдена/ не пройдена	
Электрические утечки отсутствуют		
Блок заземлен должным образом		
Все электрические клеммы закрыты должным образом		
Внутренний и наружный блоки надежно закреплены		
Утечки в соединениях труб отсутствуют	Наружный блок (2):	Внутренний блок (2):
Вода из дренажного шланга стекает должным образом		
Все трубы должным образом изолированы		
Блок в режиме COOL [Охлаждение] работает должным образом		
Блок в режиме HEAT [Нагрев] работает должным образом		
Жалюзи внутреннего блока перемещаются должным образом		
Внутренний блок отвечает на команды пульта ДУ		

ПОВТОРНАЯ ПРОВЕРКА СОЕДИНЕНИЙ ТРУБ

Во время работы давление в холодильном контуре возрастает. Это может привести к появлению течей, которых не было при первичной проверке герметичности. Во время тестового запуска еще раз проверьте отсутствие утечек во всех соединениях трубопровода хладагента. См. инструкции в разделе «Проверка на отсутствие утечек».

5. После успешного завершения тестового запуска и успешного прохождения всех проверок, указанных в Перечне необходимых проверок, выполните следующее.
 - a. С помощью пульта ДУ восстановите нормальную рабочую температуру для блока.
 - b. Оберните теплоизолирующей лентой соединения трубы хладагента, которые были оставлены открытыми при монтаже внутреннего блока.

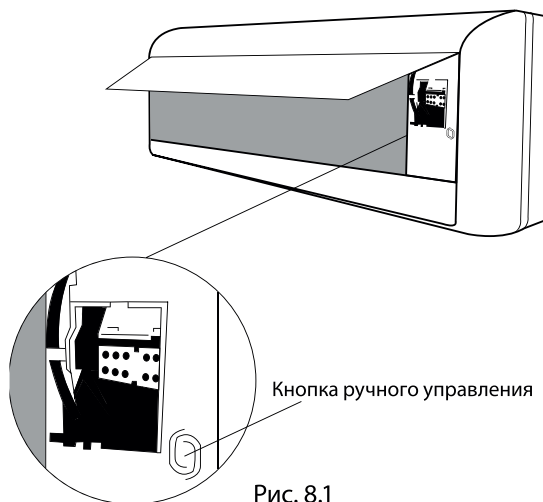


Рис. 8.1

ЕСЛИ ТЕМПЕРАТУРА ОКРУЖАЮЩЕЙ СРЕДЫ НИЖЕ 17 °С

Если температура наружного воздуха менее 17 °С, режим COOL [Охлаждение] нельзя включить с помощью пульта ДУ. В этом случае для проверки функционирования режима COOL [Охлаждение] следует воспользоваться кнопкой MANUAL CONTROL [Ручное управление].

1. Поднимайте переднюю панель внутреннего блока, пока она не зафиксируется на месте со щелчком.
2. Кнопка MANUAL CONTROL [Ручное управление] расположена с правой стороны блока. Чтобы перейти в режим COOL нажмите кнопку 2 раза (см. рис. 8.1).
3. Выполните тестовой запуск обычным образом.

Указания по утилизации на территории ЕС

10

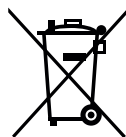
Данное устройство содержит хладагент и другие потенциально опасные материалы. При утилизации данного устройства согласно законодательству должны применяться специальные методы сбора и переработки. Не утилизируйте данное изделие вместе с бытовыми отходами и несортированными городскими отходами.

Предусмотрены следующие варианты утилизации подобных устройств:

- сдача в предписанный пункт сбора электронного оборудования, отслужившего свой срок;
- бесплатная сдача старого устройства предприятию розничной торговли при покупке нового;
- бесплатная сдача старого устройства производителю;
- сдача в сертифицированный пункт сбора металлолома.

СПЕЦИАЛЬНОЕ УВЕДОМЛЕНИЕ

Оставление данного устройства в лесу или в иной естественной среде подвергает опасности здоровье людей и состояние экологии. Опасные вещества могут попасть в грунтовые воды, а вместе с ними — в производимые продукты питания.



Airwell

Just feel well

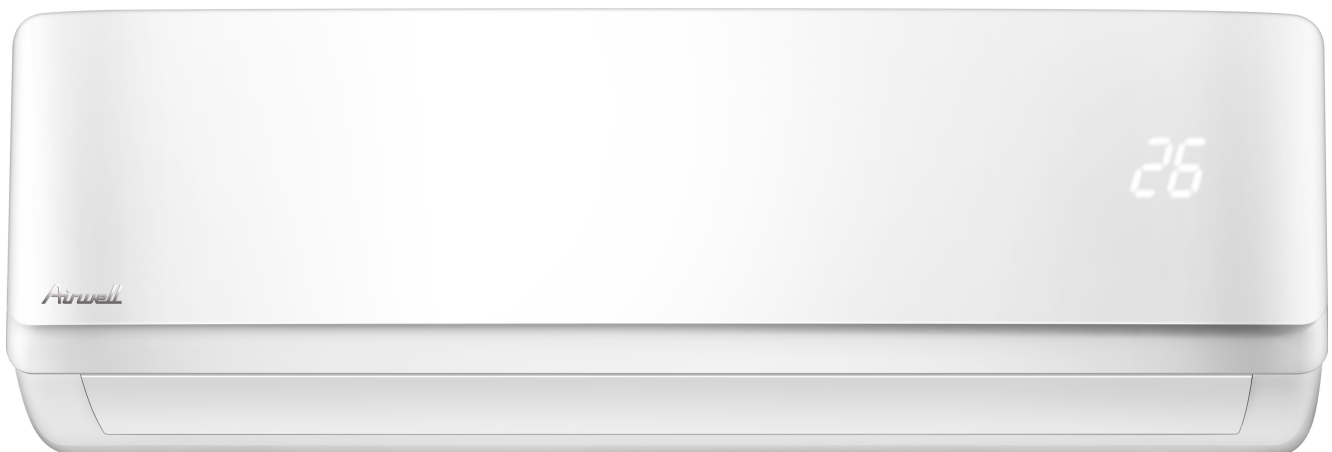


Installation Manual

HDH High Wall

R32

Manual de Instalacion



IMPORTANT NOTE:

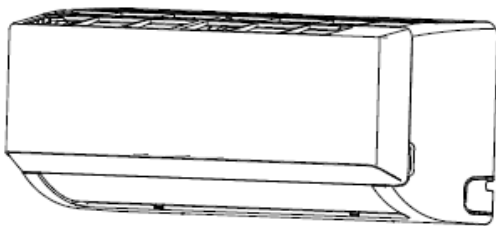
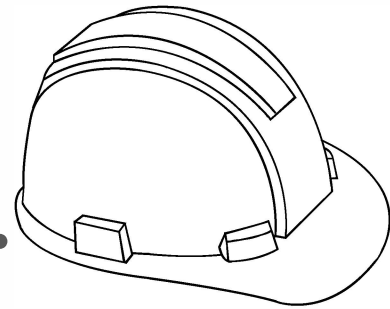
Read this manual carefully before installing or operating your new air conditioning unit. Make sure to save this manual for future reference.



Contenidos

Manual de Instalacion

0	Precauciones de seguridad	4
1	Accesorios	6
2	Instalacion	8
3	Partes del equipo	10

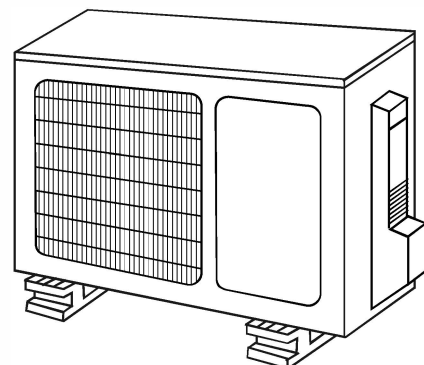


4 Instalacion de unidad interior ... **11**

1.	Seleccionar el lugar de instalacion	11
2.	Montar soporte en la pared	12
3.	Pasamuros para interconexion	12
	Preparar las tuberias de refrigerante	14
5.	Conectar el tubo de drenaje	15
6.	Conectar el cable de sefial	17
7.	Envolver tuberias y cables	18
8.	Montar unidad interior	18

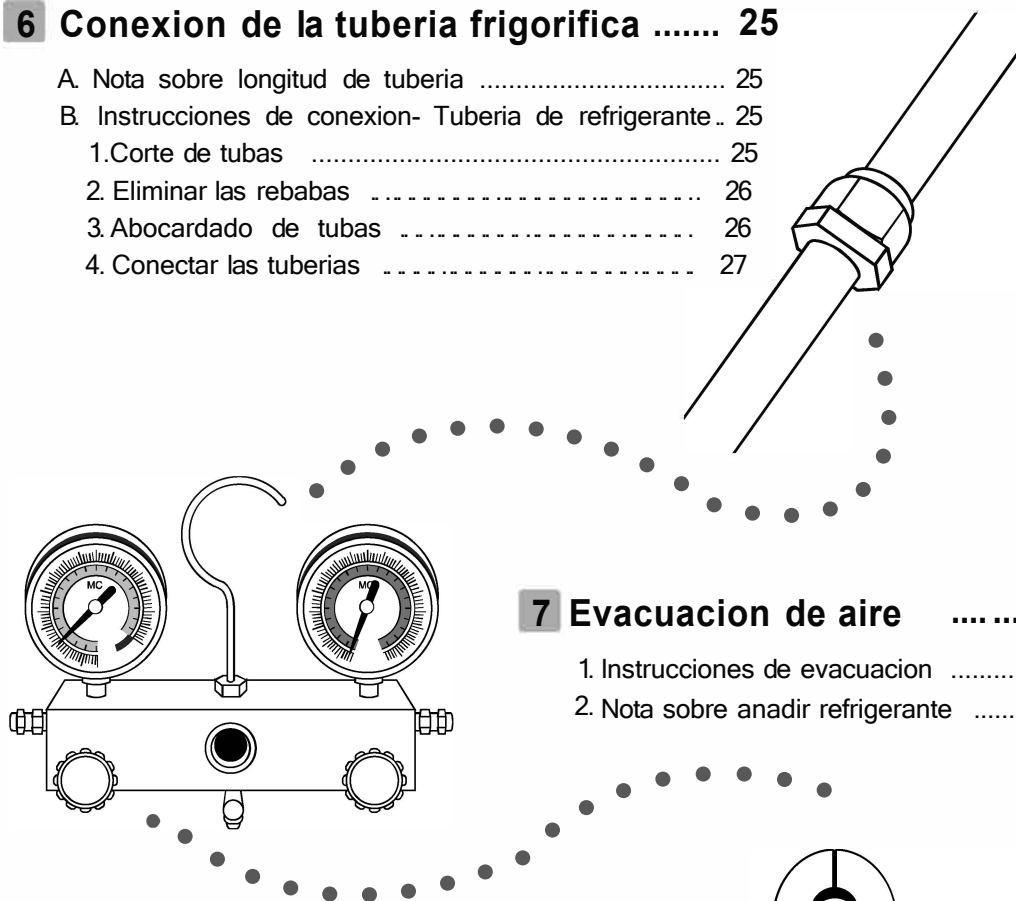
5 Instalacion de unidad exterior .. **20**

1.	Seleccionar ubicacion	20
2.	Instalar conjunto de drenaje	21
3.	Fijar unidad exterior	22
4.	Conectar cables de sefial y alimentacion	23



6 Conexion de la tubería frigorífica 25

- A. Nota sobre longitud de tubería 25
- B. Instrucciones de conexión- Tubería de refrigerante.. 25
 - 1. Corte de tubas 25
 - 2. Eliminar las rebabas 26
 - 3. Abocardado de tubas 26
 - 4. Conectar las tuberías 27



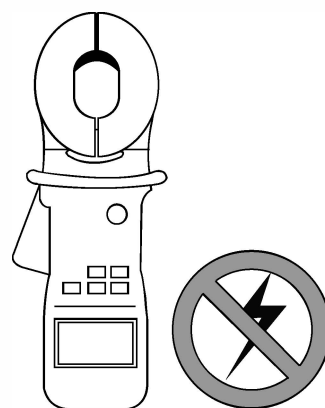
7 Evacuación de aire 29

- 1. Instrucciones de evacuación29
- 2. Nota sobre añadir refrigerante 30

8 Controles 31

9 Prueba de funcionamiento 32

10 Disposiciones europeas 34



Precauciones de seguridad

Leer precauciones de seguridad antes de instalación

La instalación incorrecta por ignorar estas instrucciones puede causar graves daños o lesiones.

La gravedad del daño potencial o lesiones es clasificado como una advertencia o precaución.



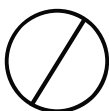
ADVERTENCIA

Este símbolo indica que ignorar las instrucciones pueden causar la muerte o lesiones graves.



PRECAUCIÓN

Este símbolo indica que ignorar las instrucciones puede causar lesiones moderadas a su persona, o daños en la unidad o en otros objetos.



Este símbolo indica que nunca se debe realizar la acción indicada.



ADVERTENCIA

- ⊘ No modifique la longitud del cable de alimentación o utilizar un cable de extensión para alimentar la unidad. No comparta el tomacorriente con otros aparatos, fuente de alimentación inadecuada o insuficiente puede provocar un incendio o una descarga eléctrica.
- ⊘ Al conectar la tubería de refrigerante, no deje que sustancias o gases distintos del refrigerante especificado entren en la unidad. La presencia de otros gases o sustancias reducirá el rendimiento de la unidad, y puede causar una presión anormalmente alta en el ciclo de refrigeración. Esto puede provocar explosiones y lesiones.
- ⊘ No permita que los niños jueguen con el aparato de aire acondicionado. Los niños deben estar controlados alrededor de la unidad en todo momento.
 1. La instalación debe ser realizada por un técnico autorizado o especialista. Una instalación defectuosa puede causar fugas de agua, descargas eléctricas o un incendio.
 2. La instalación debe realizarse de acuerdo con las instrucciones de este manual. La instalación incorrecta puede causar fugas de agua, descargas eléctricas o incendio.
 3. Póngase en contacto con un servicio técnico autorizado para la reparación o mantenimiento de esta unidad
 4. Utilice sólo los accesorios incluidos, partes y piezas especificadas para la instalación. El uso de piezas no estándar puede causar fugas de agua, descargas eléctricas, incendios, y puede provocar fallos en el equipo.
 5. Instalar la unidad en un lugar firme que pueda soportar el peso de la unidad. Si la ubicación elegida no puede soportar el peso de la unidad, o la instalación no se realiza correctamente, la unidad puede caer y causar lesiones graves o daños materiales.



ADVERTENCIA

6. Para todos los trabajos eléctricos, siga todas las normas locales y nacionales sobre cableado, reglamentos y el manual de instalación. Debe utilizar un circuito independiente y solo una salida para suministrar tensión. No conecte otros aparatos a la misma toma de corriente. Una instalación eléctrica insuficiente o defectuosa puede causar una descarga eléctrica o incendio
7. Para todos los trabajos eléctricos use los cables especificados. Conecte los cables de forma firme y segura para evitar que elementos externos dañen los terminales. Las conexiones eléctricas defectuosas pueden sobrecalentarse y provocar incendio y descargas.
8. Todo el cableado debe colocarse adecuadamente para garantizar que la tapaa de la placa de control pueda cerrar correctamente. En caso contrario, puede conducir a la corrosión y que los terminales lleguen a calentarse, incendiarse o provocar una descarga eléctrica.
9. En ciertos ambientes funcionales, tales como cocinas, salas de servidores, etc., se recomienda el uso de aparatos de aire acondicionado diseñadas especialmente para ellos.



PRECAUCIÓN

- ⊘ Para las unidades que tienen un calentador eléctrico auxiliar, no instale la unidad a menos de 1 metro de cualquier material combustible.
- ⊘ No instale la unidad en un lugar que puedan estar expuestos a fugas de gas combustible. Si se acumula gas inflamable alrededor de la unidad, puede provocar un incendio
- ⊘ No use equipos de aire acondicionado en habitaciones húmedas, tales como cuartos de baño o lavaderos. La exposición al agua puede provocar cortocircuito en componentes eléctricos.
1. El equipo tiene que conectarse a tierra en el momento de la instalación, o puede producir descargas eléctricas.
2. Instalar el desagüe de condensados según las instrucciones de este manual. El drenaje inadecuado puede causar daño del agua a su casa y propiedad.

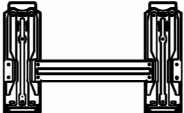


Aviso sobre los gases fluorados



1. Esta unidad de aire acondicionado contiene gases fluorados. Para obtener información específica sobre el tipo de gas y la cantidad, por favor consulte a la etiqueta correspondiente en la propia unidad.
2. La instalación, reparación y mantenimiento de esta unidad deben ser realizados por un técnico cualificado
3. La desinstalación y reciclado de esta unidad debe ser realizado por un técnico cualificado.
4. Si el sistema tiene instalado un sistema de detección de fugas, se debe verificar que no haya fugas, al menos cada 12 meses.
5. Cuando la unidad se comprueba que no haya fugas, se recomienda encarecidamente adecuado mantenimiento de registros de todos los controles.

Accesorios

1

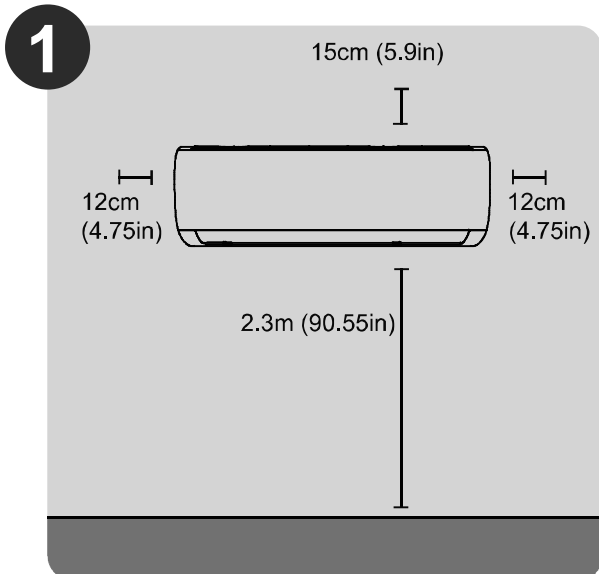
El sistema de aire acondicionado viene con los siguientes accesorios. Use todos los accesorios de instalación para instalar el aparato de aire acondicionado. Una instalación incorrecta puede provocar fugas de agua, descargas eléctricas y fuego, o hacer que el equipo falle.

Nombre	Forma	Cantidad	
Placa de montaje		1	
Clip de anclaje		5	
Tornillo ST3.9X 25 para Placa de montaje		5	
Mando de Control		1	
Tornillo ST2.9 x 10 para Soporte de mando		2	Accesorios opcionales
Soporte mando de control		1	
AAA.LR03 pila seca		2	
Junta		1	(Para unidades de frío y calor)
Pipeta de drenaje			

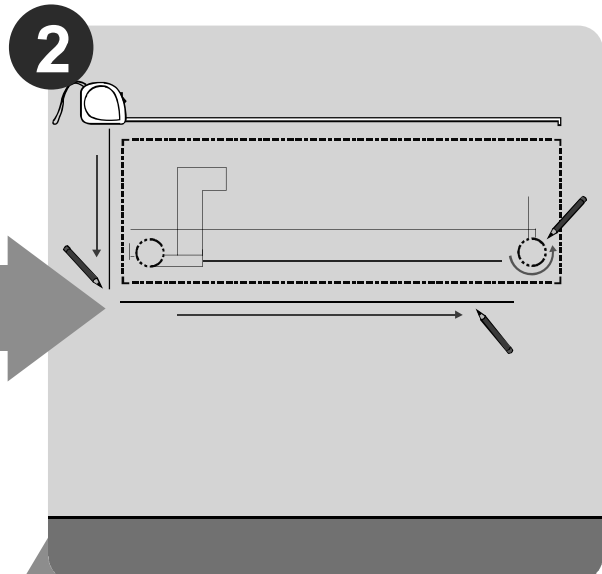
Nombre	Diseño		Cantidad
Manual de Usuario			1
Manual de Instalación			1
Tuberías de interconexión	Línea de líquido	Φ6.35(1/4 in) Φ9.52(3/8in)	Se adquieren por separado. Consultar con el distribuidor sobre las medidas de tuberías
	Línea de gas	Φ9.52(3/8in) Φ12.7(1/2in) Φ 16(5/8in)	

Instalación de la Unidad interior

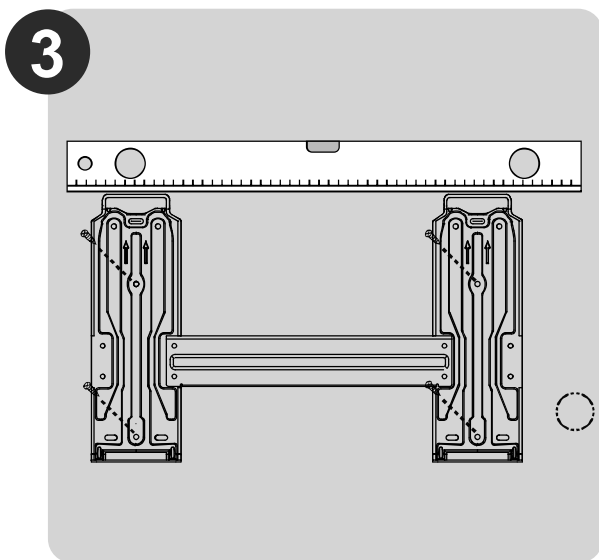
2



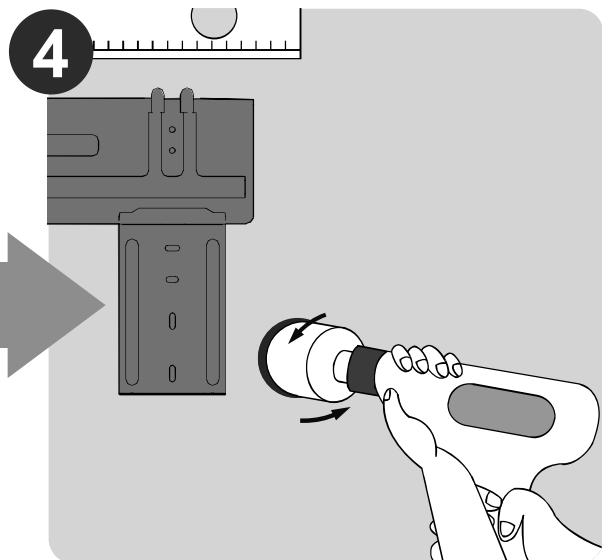
1
Seleccionar ubicación de la instalación
(Página 11)



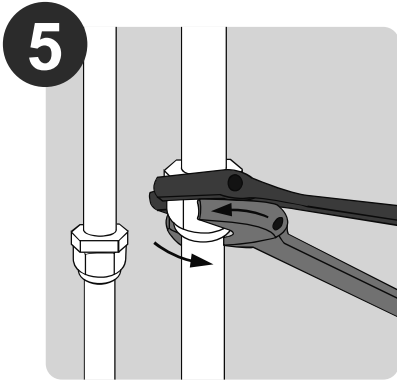
2
Señalar el agujero en la pared
(Página 12)



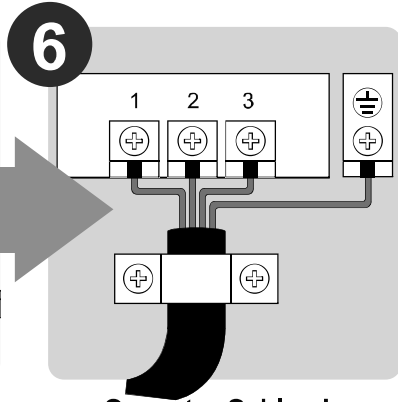
3
Colocar la placa de montaje
(Página 12)



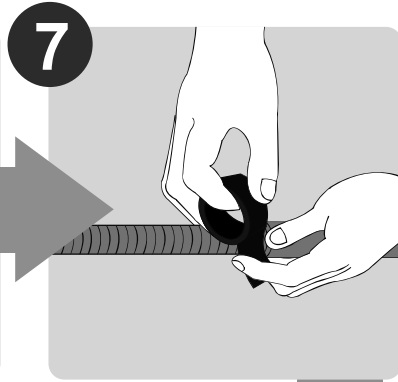
4
Perforar la pared
(Página 12)



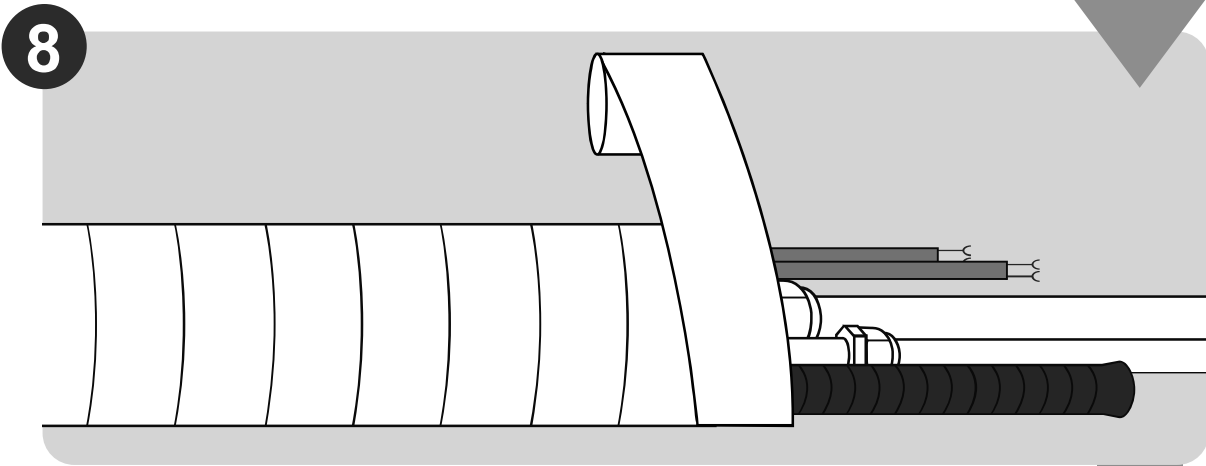
5
Conectar Tubería
(Page 25)



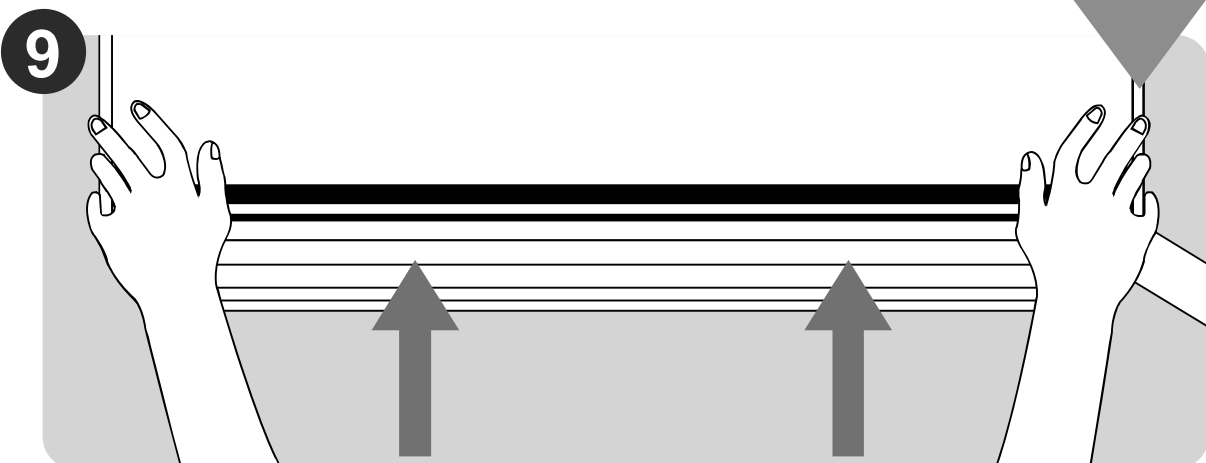
6
Conectar Cableado
(Page 17)



7
Preparar Desague
(Página 14)



8
Envolver Tubería y Cables
(Página 18)



9
Montar Unidad Interior
(Página 18)

Partes del Equipo

3

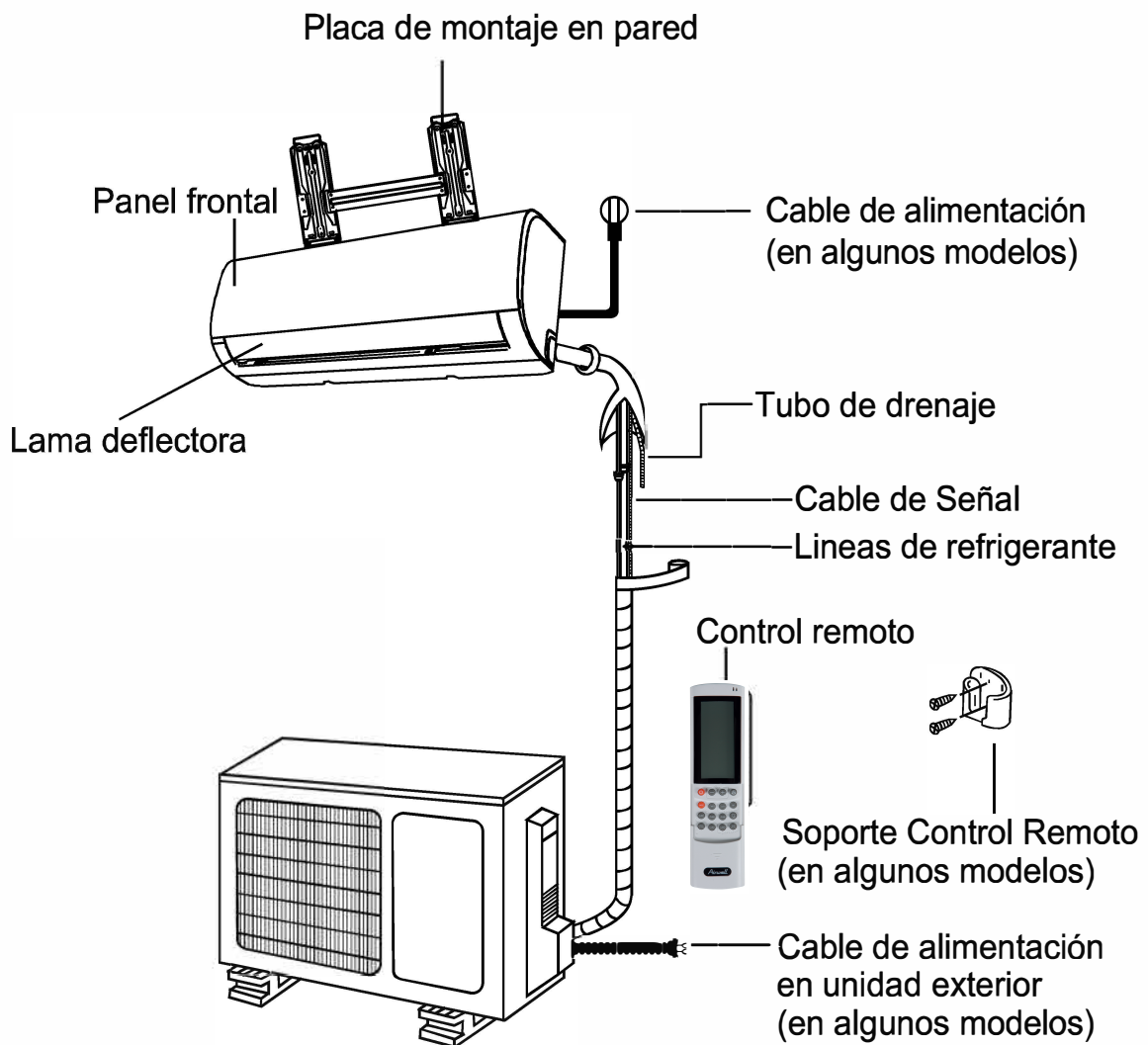


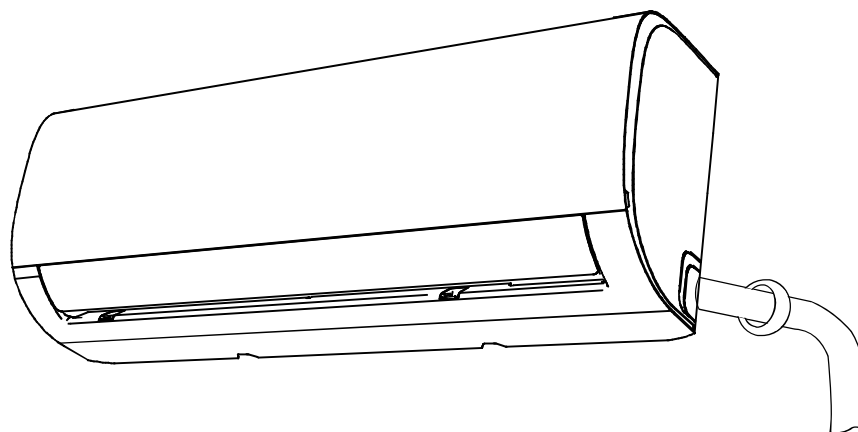
Fig. 2.1

NOTA SOBRE LAS ILUSTRACIONES

Las ilustraciones de este manual son para fines ilustrativos. La forma real de la unidad interior puede ser ligeramente diferente. La forma real prevalecerá.

Instalación de la unidad interior

4



Unidad Interior
Instalación

Instrucciones de instalación

Unidad Interior

ANTES DE LA INSTALACIÓN

Antes de instalar la unidad interior, consulte la etiqueta de la caja del equipo para confirmar que el modelo de la unidad interior coincide con el modelo de la unidad exterior.

Paso 1: Seleccionar el lugar de instalación

Antes de instalar la unidad interior, se debe elegir un lugar adecuado. Las siguientes normas le ayudará a elegir una ubicación adecuada para la unidad.

Lugares adecuados para la instalación deben cumplir las siguientes normas:

- Buena circulación de aire
- Buenas condiciones de desagüe
- El ruido del equipo no debe molestar a otras personas
- Firme y estable - sin vibraciones
- Solido que soporte el peso del equipo.
- Con una separación de al menos un metro de elementos eléctricos (TV, Radio, PC)

NO instalar el equipo en los siguientes lugares:

- Cerca de cualquier fuente de calor, vapor o gas inflamable
- Cerca de productos inflamables como cortinas o ropa
- Cerca de cualquier obstáculo que pueda bloquear la circulación del aire
- Cerca de la puerta
- En un lugar expuesto a la luz solar directa

Aviso sobre el agujero en la pared:

Si no esta instalada la tubería de refrigerante:

Antes de elegir el lugar, tenga en cuenta que debe dejar un amplio espacio para el agujero de la pared (véase el taladro del agujero en la pared para el paso del conjunto de tuberías) Para las conexiones del cable de señal y el refrigerante que conectan las unidades interior y exterior. La posición por defecto para todas las tuberías es el lado derecho de la unidad interior (mirando de frente la unidad). Sin embargo, la unidad puede conducir las tuberías tanto a la izquierda ya la derecha.

Consulte el diagrama siguiente para asegurar una distancia adecuada de las paredes y el techo:

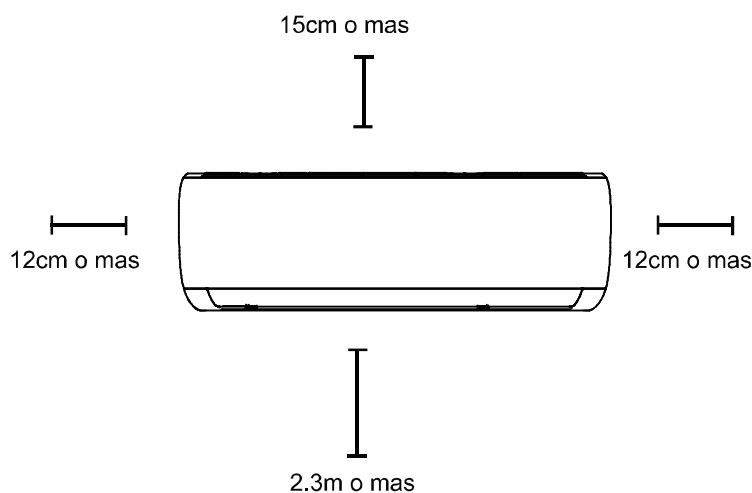


Fig. 3.1

Paso 2: Montar soporte en la pared

La placa de montaje es el dispositivo en el que va a montar la unidad interior.

1. Quitar el tornillo que sujeta la placa de montaje de la unidad interior.
2. Coloque la placa de montaje en la pared, en una ubicación que cumpla los requisitos sobre medidas y distancias. (Ver Dimensiones de montaje de placas para obtener información detallada)
3. Taladrar agujeros para tornillos de fijación
 - Montar tacos que puedan soportar el peso del equipo
 - Los agujeros corresponden con la placa de instalación.
4. Fije la placa de montaje a la pared con los tornillos suministrados.
5. Asegúrese de que la placa de montaje esta plana contra la pared.

PAREDES DE LADRILLO O CEMENTO

Si la pared es de ladrillo, hormigón o material similar, hacer taladros de 5 mm de diámetro en la pared e inserte los anclajes previstos. A continuación, fije la placa de montaje a la pared apretando los tornillos directamente al anclaje.

Paso 3: Pasamuros para interconexión

Usted debe perforar un agujero en la pared para la tubería de refrigerante, el tubo de drenaje y el cable de señal que conectará en las unidades interior y exterior.

1. Determinar la ubicación del agujero de la pared sobre la placa de montaje. Consulte las dimensiones en la página siguiente para ayudarlo a determinar la posición óptima. El agujero de la pared debe tener un diámetro de 65 mm al menos, y en un ángulo ligeramente inferior para facilitar el drenaje.
2. Usar una broca de 65-mm para hacer el agujero en la pared. Asegúrese de que el agujero se hace en un ángulo ligeramente hacia abajo, de modo que el extremo exterior del agujero es más bajo que el extremo interior de aproximadamente 5 mm a 7 mm. (Ver Fig. 3.2)
3. Coloque el manguito protector de la pared en el agujero. Esto protege los bordes del agujero y ayudará a sellar que cuando termine el proceso de instalación.

! PRECAUCIÓN

Al perforar el agujero de la pared, asegúrese de evitar los cables, tuberías y otros componentes sensibles.

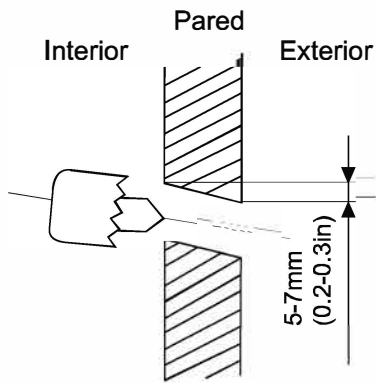


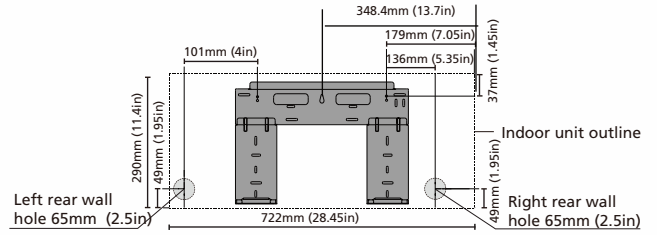
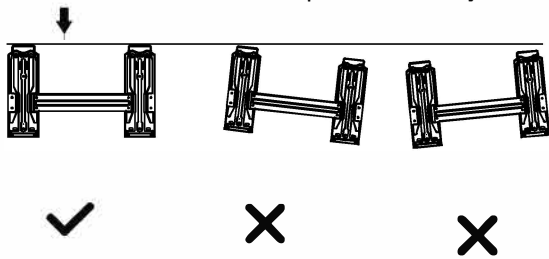
Fig. 3.2

DIMENSIONES DEL SOPORTE

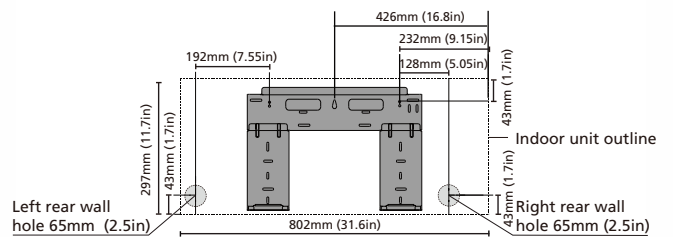
Hay diferentes tipos de placas de montaje unidad interior, los diagramas de la derecha muestran los diferentes tipos de placas con sus dimensiones de montaje:

- Anchura de la placa de montaje
- Altura de la placa de montaje
- Ancho de la unidad interior
- Altura de la unidad interior
- Posición recomendada del agujero en la pared
- Distancias entre orificios de los tornillos

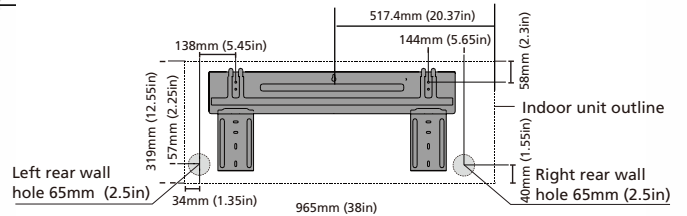
La orientación correcta de la placa de montaje



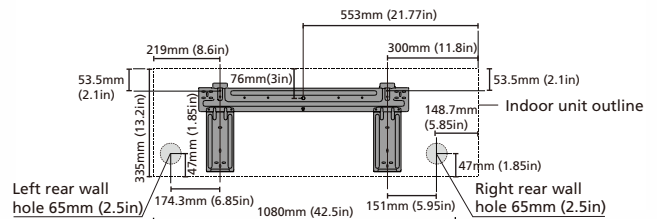
Model 9



Model 12



Model 18



Model 24

NOTE: When the gas side connective pipe is Φ 16mm(5/8in) or more, the wall hole should be 90mm(3.54in).

Paso 4: Preparar las tuberías de refrigerante

La tubería de refrigerante está dentro de un manguito aislante en la parte posterior del equipo. Debe preparar la tubería antes de pasarlo a través del agujero en la pared. En la sección Conexión de tuberías de refrigerante de este manual puede obtener instrucciones más detalladas.

1. Según donde se encuentre el agujero en relación con la placa de montaje, elegira el lado por el que salga la tubería.
2. Si el agujero de la pared está detrás de la unidad, mantener el panel troquelable en su lugar. Si el agujero de la pared esta en un lado de la unidad interior, quitar el panel de plástico de ese lado de la unidad. (Véase la Fig. 3.3). Esto creará una ranura a través de la cual su tubería puede salir de la unidad. Utilice pinzas de punta de aguja si el panel de plástico es demasiado difícil de quitar con la mano.

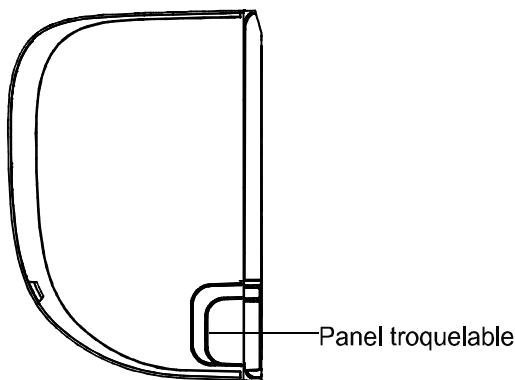


Fig. 3.3

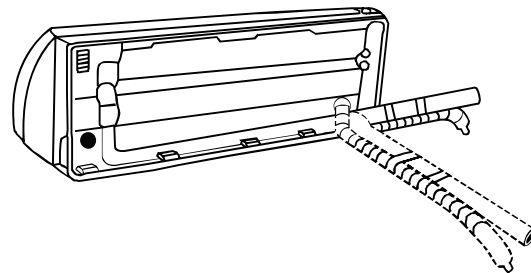
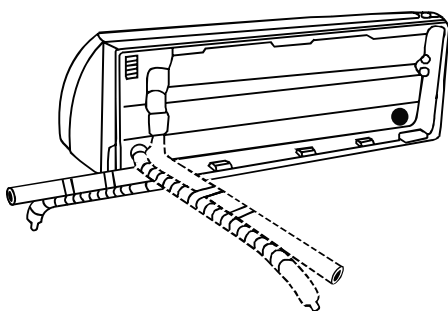


Fig. 3.4

3. Use unas tijeras para cortar a lo largo la funda aislante para revelar unos 15 cm. de la tubería de refrigerante. Esto tiene dos propósitos:
 - Para facilitar el proceso de conexión de las tuberías de refrigerante
 - Para comprobar la ausencia de fugas de refrigerante y abolladuras en la tubería.
4. Si la tubería ya esta instalada, vaya directamente al paso de conectar la tubería de drenaje. Si no hay tubería empotrada, conecte la unidad interior a la tubería de interconexión que se unirán las unidades interior y exterior. Consulte la sección Conexión de las tuberías de refrigerante de este manual para obtener más información.
5. Según la posición del agujero de la pared con relación a la placa de montaje, deberá aplicar el ángulo necesario de la tubería.
6. Agarre la tubería de refrigerante en la base de la curva.
7. Poco a poco, con una presión uniforme, doblar la tubería hacia el agujero. No mellar o dañar la tubería durante el proceso.

NOTA SOBRE EL ÁNGULO DE TUBERÍAS

La tubería de refrigerante puede salir de la unidad interior en cuatro ángulos diferentes:

- Lado izquierdo
- Trasero izquierdo
- Lado derecho
- Trasero derecho

Ver **Fig. 3.4** para detalles.

! PRECAUCIÓN

Tenga mucho cuidado de no mellar o dañar la tubería mientras se dobla para su instalación. Las abolladuras en la tubería afectará el rendimiento de la unidad.

Paso 5: Conectar el tubo de drenaje

Por defecto, la tubería de drenaje está colocada en el lateral izquierdo de la unidad (de frente a la parte posterior de la unidad), pero se puede conectar a la parte derecha.

1. Para asegurar un drenaje adecuado, conectar la manguera de drenaje en el mismo lado que la tubería de refrigerante que sale de la unidad.
2. Coloque la manguera de drenaje de la instalación (se adquiere por separado) al extremo de la manguera de drenaje.
3. Envolver el punto de conexión firmemente con cinta de teflón para asegurar un buen sellado y para evitar fugas.
4. La parte de la tubería de drenaje que quede en el interior, se envuelve con aislamiento de tuberías o espuma para evitar la condensación.
5. Retire el filtro de aire y vierta una pequeña cantidad de agua en la bandeja de drenaje para asegurarse de que el agua fluye desde la unidad sin problemas.

! SOBRE LA COLOCACIÓN DE LA MANGUERA

Asegúrese de organizar la manguera de drenaje de acuerdo con la Fig. 3.5.

- ⊘ No doblar la manguera de drenaje.
- ⊘ No crear una trampa de agua
- ⊘ NO coloque el extremo del tubo de drenaje de agua en un recipiente que recoja el agua.

TAPAR EL AGUJERO SOBRENTE

Para evitar fugas no deseadas debe tapar el agujero de drenaje no utilizado con el tapón de goma suministrado.

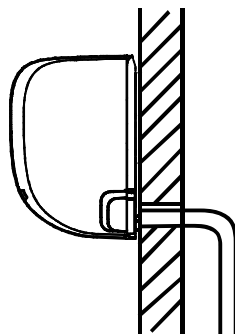


Fig. 3.5

CORRECTO

Asegúrese de que no hay torceduras o estrangulamientos en el tubo de drenaje para asegurar un vaciado correcto.

INCORRECTO
Torceduras en el tubo de drenaje crearán trampas de agua.

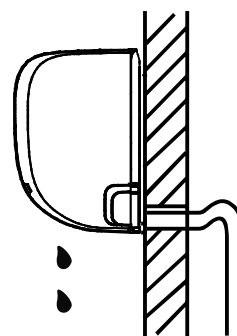


Fig. 3.6

INCORRECTO
Torceduras en el tubo de drenaje crearán trampas de agua.

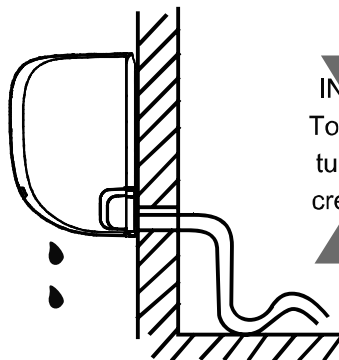


Fig. 3.7

INCORRECTO
No coloque el extremo del tubo de drenaje del agua en un recipiente que recoja el agua. Esto evitará un drenaje adecuado.

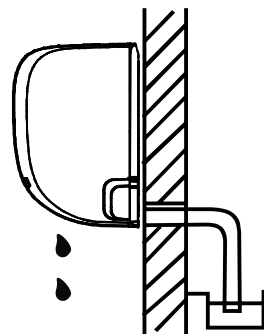


Fig. 3.8



LEER ANTES DE REALIZAR TRABAJOS ELÉCTRICOS

1. Todo el cableado cumplirá con los códigos eléctricos locales y nacionales y debe ser instalado por un electricista autorizado.
2. Las conexiones eléctricas se realizarán según el diagrama de conexión eléctrica que se encuentra en los paneles laterales de las unidades interior y exterior.
3. Ante un problema de seguridad grave con la fuente de alimentación, dejar de trabajar inmediatamente. Explicar su razonamiento al cliente, y negarse a instalar la unidad hasta que el problema sea resuelto.
4. La tensión de alimentación estará entre el 90-100% del voltaje nominal. Un valor inferior puede causar descarga eléctrica o un incendio.
5. Instalar un protector contra sobretensiones y el interruptor de alimentación principal con una capacidad de 1,5 veces la intensidad máxima de la unidad.
6. Instalar un interruptor o disyuntor que desconecte todos los polos, con una separación entre contactos de al menos 3mm. El técnico cualificado debe utilizar un interruptor de circuito homologado.
7. Conectar el aparato a una toma de circuito individual. No conecte ningún otro aparato a la toma de corriente.
8. Asegurar una toma de tierra apropiada para el aire acondicionado.
9. Los cables estarán conectados firmemente. Los cables sueltos pueden causar sobrecalentamiento del terminal, provocando un mal funcionamiento del equipo y la posibilidad de incendio.
10. Impedir que los cables toquen el circuito de refrigeración, el compresor o cualquier pieza móvil dentro de la unidad.
11. Si el equipo tiene un calentador eléctrico auxiliar, debe ser instalado al menos a 1 metro (40 pulgadas) de distancia de cualquier material combustible.



ADVERTENCIA

APAGUE LA ALIMENTACIÓN PRINCIPAL AL SISTEMA ANTES DE REALIZAR CUALQUIER TRABAJO ELÉCTRICO.

Paso 6: Conectar el cable de señal

El cable de señal permite la comunicación entre las unidades interior y exterior. Primero debe seleccionar el tamaño del cable justo antes de prepararlo para la conexión.

Tipos de cable

- Cable alimentación unidad interior (segun modelo): H05VV-F or H05V2V2-F
- Cable unidad exterior: H07RN-F
- Cable de señal: H07RN-F

Minima sección para cables de Alimentacion y Señal

Norte America

Modelo Amps (A)	AWG
10	18
13	16
18	14
25	12
30	10

Otras Regiones

Intensidad de corriente Modelos (A)	Sección nominal Diametro (mm ²)
> 3 y ≤ 6	0.75
> 6 y ≤ 10	1
> 10 y ≤ 16	1.5
> 16 y ≤ 25	2.5
> 25 y ≤ 32	4
> 32 y ≤ 40	6

Elegir el tamaño adecuado CABLE

El tamaño del cable de alimentación, el cable de señal, el fusible y el interruptor necesario están determinados por la corriente máxima del equipo. La corriente máxima se indica en la placa situada en el panel lateral de la unidad. Consulte esta placa de identificación para elegir el cable, fusible o interruptor adecuado

ESPECIFICACIONES DEL FUSIBLE

La placa electrónica del aire acondicionado (PCB) está diseñada con un fusible para proporcionar la protección por sobrecorriente. Los datos del fusibles están en la placa de circuito: T3.15A / 250VAC, T5A / 250VAC, etc.

1. Preparar cable de conexión:
 - a. Con un pelacables, corte en ambos extremos el revestimiento del cable para descubrir 15 cm de cable en el interior.
 - b. Pelar el aislamiento de los extremos de los cables.
 - c. Coloque terminales en la punta de los cables

Unidad Interior
Instalación

PRESTA ATENCIÓN AL CABLE DE LINEA

Cuando ponga los terminales, asegúrese de distinguir el cable de línea ("L") del resto.

2. Abra el panel frontal de la unidad interior.
3. Con un destornillador, abra la tapa de la caja de conexiones en el lado derecho de la unidad.

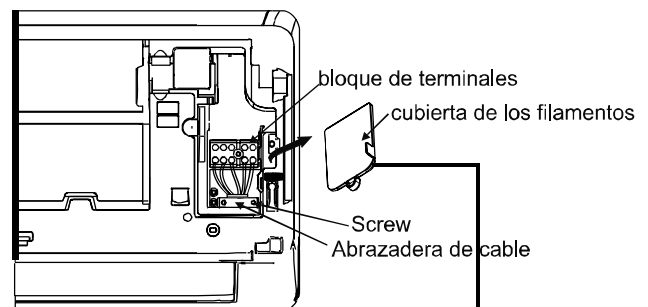


Fig. 3.9

El diagrama de cableado se encuentra en el interior de la unidad interior.

⚠ WARNING

EL CABLEADO DEBE SER REALIZADO SEGUN EL ESQUEMA ELECTRICO QUE SE ENCUENTRA EN LA TAPA DE CABLES DE LA UNIDAD INTERIOR

4. Desatornillar la abrazadera de cables bajo el bloque de terminales y separarlo
5. Retire el panel de plástico en la parte inferior izquierda.

- Pase el cable de señal a través de esta ranura, de la parte posterior a la delantera.
- Frente a la parte delantera de la unidad, haga coincidir los colores de los cables con las etiquetas en el bloque de terminales, conecte el terminal y atornillar firmemente cada cable a su terminal.

! PRECAUCIÓN

NO MEZCLAR CABLES ACTIVOS Y NULL
Es peligroso y puede hacer que el equipo de aire acondicionado no funcione correctamente.

- Después de comprobar que cada conexión es correcta, utilice la abrazadera de cables para sujetar el cable de señal a la unidad. Fije la abrazadera con su tornillo.
- Vuelva a colocar la tapa del cable en la parte frontal de la unidad, y el panel de plástico en la parte posterior.

! NOTA SOBRE CABLEADO

LA CONEXIÓN ELECTRICA PUEDE SER DIFERENTE ENTRE EQUIPOS.

Paso 7: Envolver tuberías y cables

Antes de pasar la tubería, tubo de drenaje y el cable de señal a través del agujero de la pared, debe agruparlos juntos para ahorrar espacio, protegerlos, y aislarlos.

- Agrupar el tubo de drenaje, cable de señal tuberías de refrigerante según Fig. 3.12.

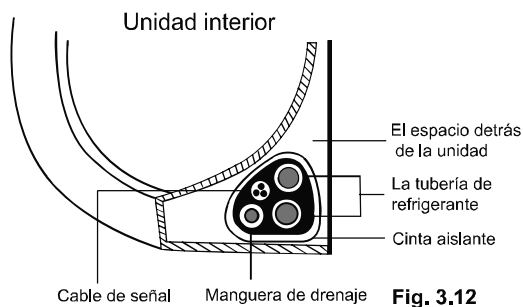


Fig. 3.12

EL TUBO DE DESAGUE ABAJO

Asegúrese de que el tubo de desagüe está en la parte inferior del haz. Poner el tubo de drenaje en la parte superior del haz puede causar que la bandeja de drenaje se desborde, provocando daños por agua.

NO ENTRELAZAR CABLE DE SEÑAL CON EL RESTO

Aunque se puede agrupar estos elementos, no se deben entrelazar o cruzar la línea de señal con cualquier otro cableado.

- Use cinta adhesiva de vinilo para juntar el tubo de desagüe con los de refrigerante.
- Use cinta aislante para envolver el cable de señal, tubos de refrigerante y drenaje firmemente y juntos. Comprobar que los elementos se agrupan según la Fig. 3.12.

NO ENVOLVER LOS EXTREMOS DE LINEA

Al envolver el conjunto, mantener los extremos de la tubería libres. Es necesario tener acceso a ellos para probar si hay fugas al final del proceso de instalación (ver Verificaciones Eléctricas y fugas).

Paso 8: Montar unidad interior

Si ha instalado nueva tubería de conexión a la unidad exterior, haga lo siguiente:

- Si ya ha pasado la tubería de refrigerante a través del agujero en la pared, vaya al paso 4.
- Verificar que los extremos de las tuberías de refrigerante están sellados para evitar la entrada de suciedad o humedad.
- Pasar por el agujero de la pared el bulto envuelto de tuberías de refrigerante, el tubo de desagüe el cable de señal.
- Enganche la parte superior de la unidad interior en el gancho superior de la placa.
- Comprobar que la unidad está firmemente fijada ejerciendo una ligera presión en los lados izquierdo y derecho de la unidad. El equipo no debe moverse.
- Mediante una presión uniforme, empuje hacia abajo en la mitad inferior del equipo. Mantenga empujando hacia abajo hasta que encaje en los ganchos a lo largo de la parte inferior de la placa de montaje.
- Una vez más, comprobar que la unidad está montada firmemente aplicando una ligera presión al los lados derechos e izquierdo de la unidad .

Si la tubería de refrigerante ya está incrustada en la pared, haga lo siguiente:

1. Enganche la unidad interior en la parte superior de la placa de montaje.
2. Use un soporte o cuña para apuntalar la unidad, que deje suficiente espacio para conectar la tubería de refrigerante, cable de señal, y la tubería de drenaje. Consulte la Fig. 3.13 para un ejemplo.

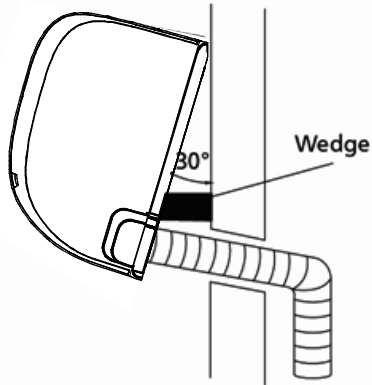
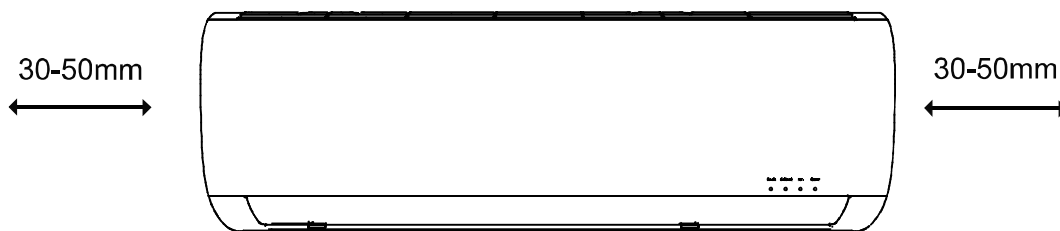


Fig. 3.13

3. Conectar la tubería de refrigerante y la de drenaje (ver la sección Conexión de las tuberías de refrigerante de este manual).
4. Mantener la conexión de tuberías expuestas para llevar a cabo la prueba de fugas (ver Verificaciones Eléctricas y fuga de este manual).
5. Después de la prueba de fugas, envolver el punto de conexión con cinta aislante.
6. Retire el soporte o cuña que está apuntalando la unidad.
7. Mediante una presión uniforme, empuje hacia abajo en la mitad inferior de la unidad. Mantenga empujando hacia abajo hasta que la unidad encaje en los ganchos a lo largo de la parte inferior de la placa de montaje.

LA UNIDAD ES AJUSTABLE

Tenga en cuenta que los ganchos de la placa de montaje son más pequeños que los agujeros en la parte posterior de la unidad. Si encuentra que no tiene espacio para conectar las tuberías incrustadas a la unidad interior, la unidad se puede ajustar hacia la izquierda o la derecha alrededor de 30-50 mm, dependiendo del modelo. (Ver Fig. 3.14).



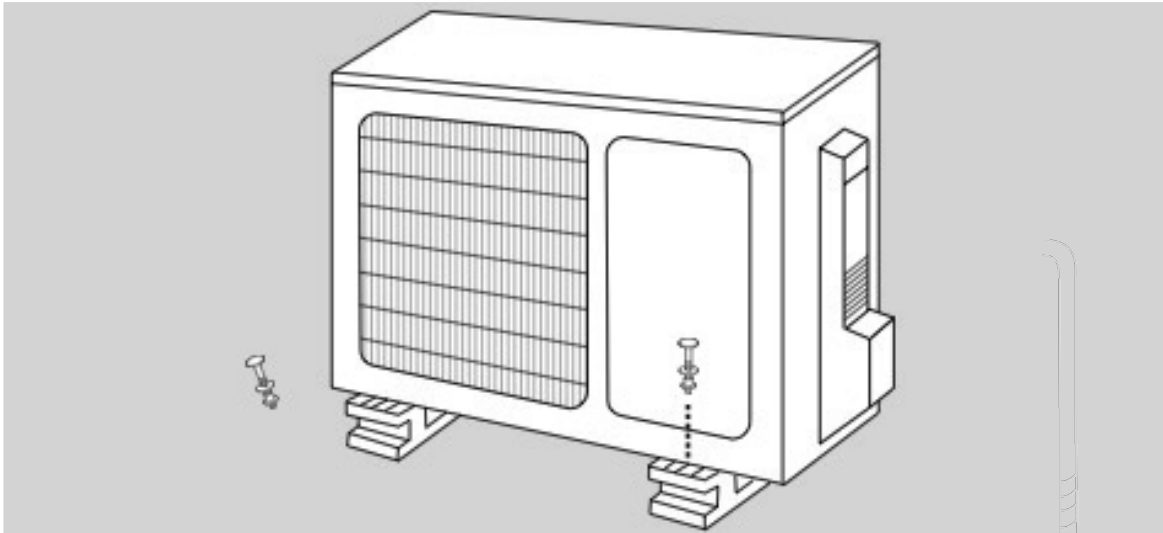
Mover a izquierda o a derecha

Fig. 3.14

Instalación de unidad exterior

5

Unidad Exterior
Instalación



Instrucciones de instalación - Unidad Exterior

Paso 1: Seleccionar ubicación

Antes de instalar la unidad exterior, se debe elegir un lugar adecuado. Las siguientes normas le ayudará a elegir una ubicación adecuada para la unidad.

Los lugares adecuados de instalación cumplen con las siguientes normas:

- ✓ Cumplir las medidas espaciales mínimas para su funcionamiento (Fig. 4.1)
- ✓ La buena circulación de aire y ventilación
- ✓ Una ubicación firme y sólida para apoyar la unidad y evitar vibraciones.
- ✓ El ruido del equipo no moleste a los demás
- ✓ Protegido de períodos prolongados de la luz directa del sol.

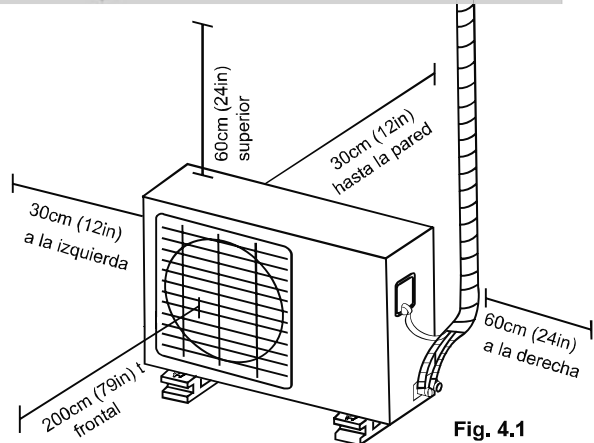


Fig. 4.1

NO instale la unidad en los siguientes lugares:

- ⊗ Cerca de un obstáculo que pudiera bloquear las entradas y salidas de aire
- ⊗ Donde el ruido de la unidad moleste a los demás, zonas muy pobladas, calles.
- ⊗ Cerca de animales o plantas que estarán afectados por la descarga de aire caliente
- ⊗ Cerca de una fuente de gas combustible
- ⊗ En un lugar expuesto a grandes cantidades de polvo
- ⊗ En un lugar expuesto a un exceso de aire salado

CONSIDERACIONES ESPECIALES PARA CLIMAS EXTREMOS

Si la unidad está expuesta a fuertes vientos: Instalar el equipo para que el ventilador envíe el aire en un ángulo de 90 ° a la dirección del viento. Puede construir una barrera delante del equipo para protegerla de los vientos extremadamente fuertes.

Ver **Fig. 4.2** y **Fig. 4.3** siguientes.

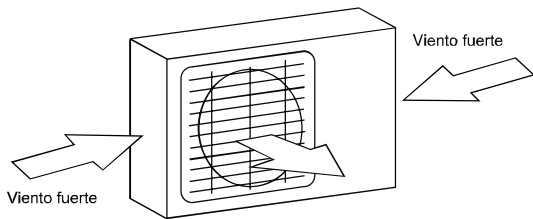


Fig. 4.2

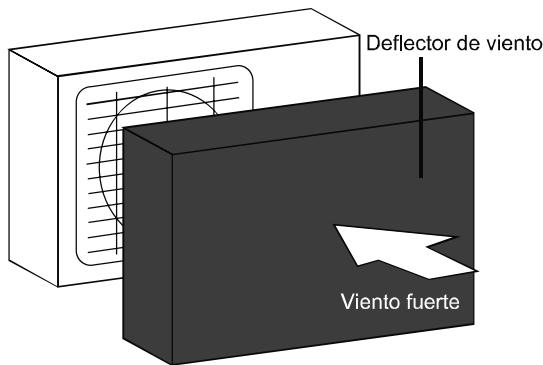


Fig. 4.3

Si el equipo está frecuentemente expuesto a la lluvia intensa o nieve:

Construir un tejado encima de la unidad para protegerla de la lluvia o la nieve. Cuidado de no obstruir el flujo de aire alrededor del equipo.

Si el equipo está frecuentemente expuesto al aire salado (en el mar):

Utilice la unidad exterior especialmente diseñada para resistir la corrosión.

Paso 2: Instalar el conjunto de drenaje

Las unidades de bomba de calor requieren un conjunto de drenaje. Antes de atornillar la unidad exterior en su lugar, debe instalar la junta de drenaje en la parte inferior de la unidad. Observe que hay dos tipos diferentes de juntas de drenaje en función del tipo de la unidad exterior.

Si la junta de drenaje viene con un sello de goma (ver Fig 4.4 - Un.), Haga lo siguiente:

1. Coloque la junta de goma en el extremo de la pipa de drenaje de la unidad exterior.
2. Insertar el conjunto de drenaje en el orificio de la bandeja de base de la unidad.
3. Rotar el conjunto de drenaje 90° hasta que encaje en la parte frontal de la unidad.
4. Conectar una extensión manguera de drenaje (no incluido) para redirigir el agua de la unidad durante el modo de calor.

Si la junta de drenaje no viene con un sello de goma (ver Fig 4.4 - B.), Haga lo siguiente:

1. Insertar el conjunto de drenaje en el orificio de la bandeja en la base del equipo. El conjunto de drenaje hará clic al encajar.
2. Conectar una extensión manguera de drenaje (no incluido) para redirigir el agua de la unidad durante el modo de calor.

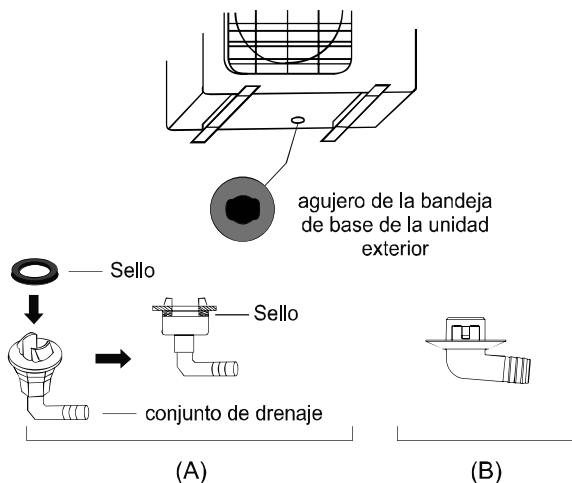


Fig. 4.4

! En climas fríos

En climas fríos, asegúrese de que la manguera de drenaje está lo más vertical posible para asegurar el drenaje del agua rápidamente. Si el agua drena muy lentamente, se puede congelar en la manguera e inundaría el equipo.

Paso 3: Fijar unidad exterior

La unidad exterior puede estar anclada al suelo o en un soporte montado en la pared.

DIMENSIONES

La siguiente es una lista de los diferentes tamaños de las unidades exteriores y la distancia entre sus patas de montaje. Preparar la base de instalación de la unidad de acuerdo con las dimensiones siguientes.

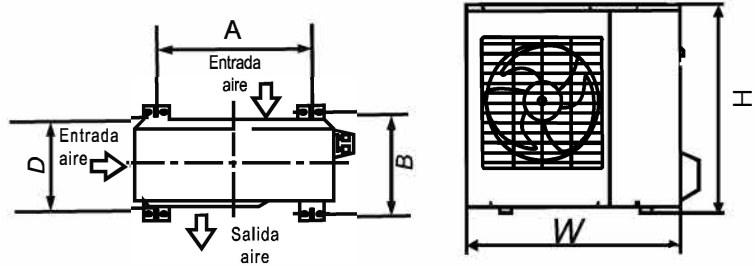


Fig. 4.5

Modelo	Dimensiones unidad exterior (mm)		Dimensiones de montaje	
	W x H x D		Distance A (mm)	Distance B (mm)
AW-YHDH009-H91	770 x 555 x 300		487	298
AW-YHDH012-H91	800 x 554 x 333		514	340
AW-YHDH018-H91	845 x 700 x 340		540	350

Si va a instalar la unidad sobre el suelo o en una base de cemento, haga lo siguiente:

1. Marque las posiciones de los cuatro pernos de expansión en base al gráfico de dimensiones de la unidad exterior.
2. Perfore los agujeros para los tornillos.
3. Limpiar el polvo y residuos de los agujeros
4. Poner tuerca en los extremos de los pernos.
5. Martillar los pernos de expansión de en los agujeros previamente perforados.

6. Retirar las tuercas de los pernos y colocar la unidad exterior en los pernos.
7. Poner la arandela en cada tornillo de expansión, vuelva a colocar las tuercas.
8. Con una llave, apriete cada tuerca hasta que quede apretado.



ADVERTENCIA

AL PERFORAR HORMIGÓN, SE RECOMIENDA PROTEGER LOS OJOS EN TODO MOMENTO.

Si va a instalar la unidad en un soporte montado en la pared, haga lo siguiente:

PRECAUCIÓN

Antes de instalar una unidad en la pared, asegúrese de que la pared es de ladrillo, hormigón o de material igualmente fuerte. La pared debe ser capaz de soportar al menos cuatro veces el peso de la unidad.

1. Marque la posición de los orificios del soporte según las dimensiones de la unidad.
2. Taladrar los agujeros en la pared
3. Limpiar el polvo y residuos de los agujeros.
4. Colocar una arandela y una tuerca en el extremo de cada perno de expansión.
5. Introducir los pernos de expansión en los soportes de montaje, colocarlos los soportes e introducir los pernos en los agujeros, martillar y fijar a la pared.
6. Comprobar que los soportes están nivelados.
7. Con cuidado, levante la unidad y coloque sus pies en los soportes de montaje.
8. Fijar firmemente la unidad a los soportes

PARA REDUCIR LAS VIBRACIONES EN EL EQUIPO MONTADO EN PARED

Si se permite, se puede instalar la unidad en una pared con juntas de goma para reducir las vibraciones y el ruido.

Paso 4: Conectar los cables de señal y de alimentación

El bloque de terminales de la unidad exterior está protegido por una tapa en el lado del cableado eléctrico. Un esquema eléctrico está impreso en el interior de la tapa del cableado.

ANTES DE REALIZAR TRABAJOS ELÉCTRICOS, LEA ESTE REGLAMENTO

1. Todo el cableado cumplirá con los códigos eléctricos locales y nacionales y debe ser instalado por un electricista autorizado.
2. Las conexiones eléctricas se realizarán según el diagrama de conexión eléctrica que se encuentra en los paneles laterales de las unidades interior y exterior.
3. Ante un problema de seguridad grave con la fuente de alimentación, dejar de trabajar inmediatamente. Explicar su razonamiento al cliente, y negarse a instalar la unidad hasta que el problema sea resuelto.
4. La tensión de alimentación estará entre el 90-100% del voltaje nominal. Un valor inferior puede causar descarga eléctrica o un incendio.
5. Instalar un protector contra sobretensiones y el interruptor de alimentación principal con una capacidad de 1,5 veces la intensidad máxima de la unidad.
6. Instalar un interruptor o desayuntor que desconecte todos los polos, con una separación entre contactos de al menos 3mm. El técnico cualificado debe utilizar un interruptor de circuito homologado.
7. Conectar el aparato a una toma de circuito individual. No conecte ningún otro aparato a la toma de corriente.
8. Asegurar una toma de tierra apropiada para el aire acondicionado.
9. Los cables estarán conectados firmemente. Los cables sueltos pueden causar sobrecalentamiento del terminal, provocando un mal funcionamiento del equipo y la posibilidad de incendio.
10. Impedir que los cables toquen el circuito de refrigeración, el compresor o cualquier pieza móvil dentro de la unidad.
11. Si el equipo tiene un calentador eléctrico auxiliar, debe ser instalado al menos a 1 metro (40 pulgadas) de distancia de cualquier material combustible.

! ADVERTENCIA

ANTES DE REALIZAR CUALQUIER TRABAJO ELECTRICO, APAGUE LA ALIMENTACIÓN PRINCIPAL AL SISTEMA.

1. Prepare el cable de conexión:

USE EL CABLE CORRECTO

- Cable de alimentación de unidad interior (en su caso): H05VV-F o F-H05V2V2-F
- Cable para unidad exterior: H07RN-F
- Cable de señal: H07RN-F

Sección mínima de cables para Alimentación y Señal

Norteamérica

Equipo (A)	AWG
10	18
13	16
18	14
25	12
30	10

Otras regiones

Corriente nominal Equipo (A)	Sección nominal transversal (mm ²)
> 3 y ≤ 6	0.75
> 6 y ≤ 10	1
> 10 y ≤ 16	1.5
> 16 y ≤ 20	2.5
> 20 y ≤ 32	4
> 32 and ≤ 40	6

- Con un pelacables, corte el revestimiento de ambos extremos del cable para revelar unos 15 cm de los cables en el interior.
- Pelar el aislamiento de los extremos de los cables.
- Coloque terminales en la punta de los cables

PRESTA ATENCIÓN AL CABLE DE LINEA

Cuando ponga los terminales, asegúrese de distinguir el cable de línea ("L") del resto.

! ADVERTENCIA

EL CABLEADO DEBE SER REALIZADO SEGUN EL ESQUEMA ELECTRICO QUE SE ENCUENTRA EN LA TAPA DE CABLES DE LA UNIDAD EXTERIOR.

2. Desenroscar el tornillo de la tapa del cableado eléctrico y retirarlo.
3. Desatornillar la abrazadera de cables bajo el bloque de terminales y separarlo.
4. Hacer coincidir los cables con las etiquetas en el bloque de terminales y atornillar firmemente a su correspondiente terminal.
5. Comprobar que cada conexión es correcta aislar los cables para evitar que el agua de lluvia entre dentro de la terminal.
6. Montar la abrazadera de cables para sujetar los cables a la unidad.
7. Enrolle los cables no utilizados con cinta aislante de PVC. Colocarlos para que no toquen componentes eléctricos o de metal.
8. Colocar la tapa de nuevo y el tornillo en su lugar.

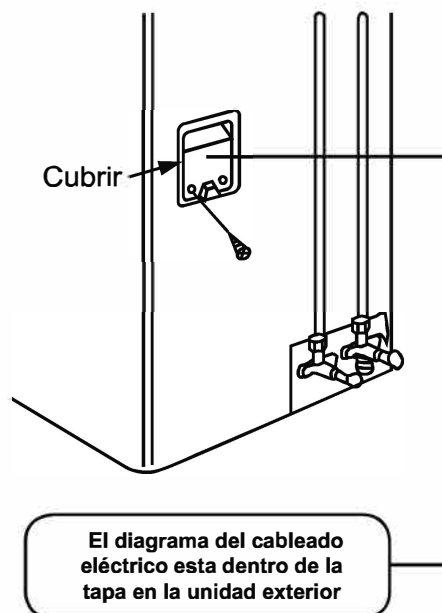
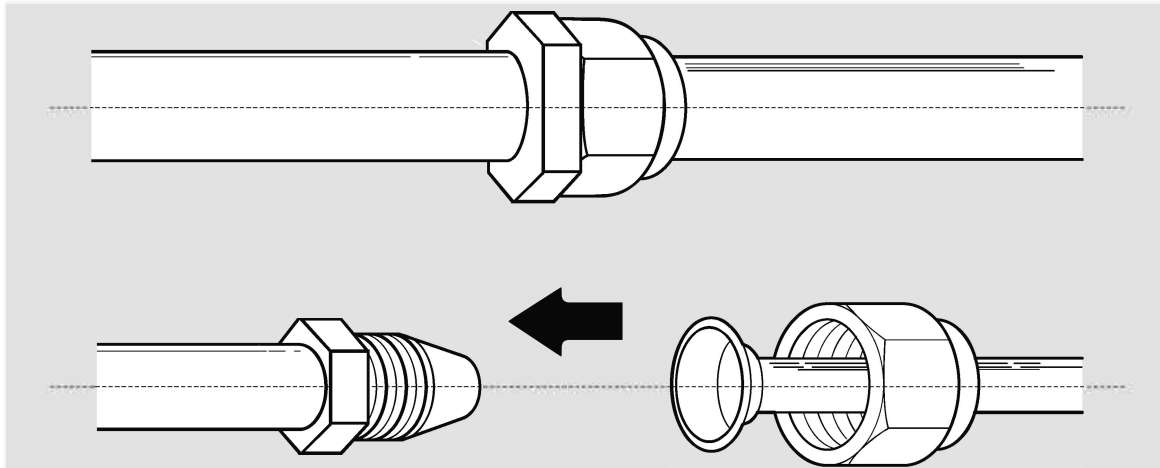


Fig. 4.6

Conexión de la tubería frigorífica

6



Nota sobre longitud de tubería

La longitud de tubería de refrigerante afectará el rendimiento y la eficiencia del equipo. La eficiencia nominal se prueba en las unidades con una longitud de tubo de 5 metros (16.5ft). Consulte la tabla siguiente para conocer las especificaciones sobre la longitud y altura máxima de la tubería frigorífica.

Longitud y altura máxima de la tubería de refrigerante según capacidad

Modelo	Capacidad (BTU/h)	Max. Distancia (m)	Max. Altura (m)
R32 monosplit	< 15,000	25 (82ft)	10 (33ft)
	≥ 15,000 y < 24,000	30 (98.5ft)	20 (66ft)
	≥ 24,000 y < 36,000	50 (164ft)	25 (82ft)
	≥ 36,000 y ≤ 60,000	65 (213ft)	30 (98.5ft)

Instrucciones de conexión - Tubería de refrigerante

Paso 1: Corte de tubos

Al preparar la tubería de refrigerante, tener cuidado especial en cortarlo correctamente. Esto asegurará un funcionamiento eficaz y reducirá la necesidad de mantenimiento en el futuro.

1. Medir la distancia entre las unidades interior y exterior.

2. Usando un cortador de tubo, cortar el tubo un poco más largo que la distancia medida.
3. Cortar el tubo en un perfecto ángulo de 90°. Ver la Fig. 5.1 para ejemplos mal corte.

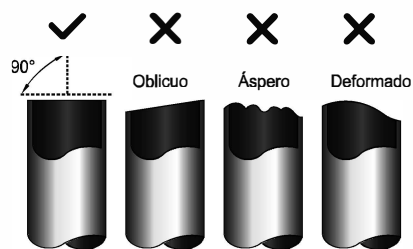


Fig. 5.1

! NO DEFORME EL TUBO EN EL CORTE

Tenga mucho cuidado de no dañar, abollar, o deformar el tubo durante el corte. Esto reducirá drásticamente la eficiencia del equipo de aire acondicionado.

Paso 2: Eliminar las rebabas

Las rebabas pueden afectar al ajuste y sellado hermético en las tuberías de refrigerante. Deben ser eliminadas completamente.

1. Mantenga el tubo en un ángulo hacia abajo para evitar rebabas caigan en la tubería
2. Con un escariador, eliminar las rebabas de la sección de corte de la tubería.



Fig. 5.2

Paso 3: Abocardado de tubos

El abocardado es esencial para lograr un cierre hermético.

1. Después de quitar las rebabas del tubo cortado, tapar los extremos con cinta de PVC para evitar que materiales extraños penetren en la tubería.
2. Envolver la tubería con material aislante
3. Colocar las tuercas abocardadas en ambas puntas del tubo. Verificar que están en el sentido correcto porque no se puede cambiar su dirección después del abocardado. Ver Fig. 5.3.

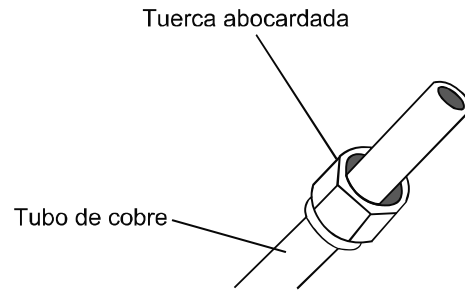


Fig. 5.3

4. Retire la cinta de PVC de los extremos de la tubería para abocardar las puntas
5. Abocardar el tubo. El extremo del tubo sobrepasará de la pinza abocardadora según las dimensiones que se muestran en la siguiente tabla.

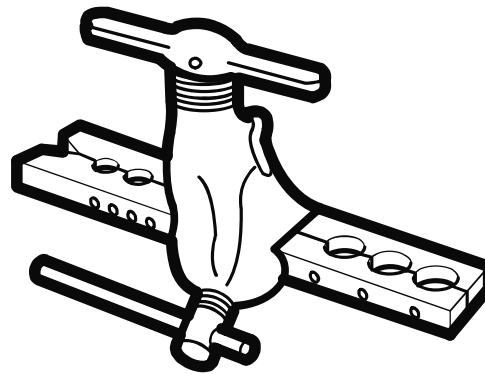


Fig. 5.4

Saliente de tubo en pinza abocardadora (mm)

Tubo (mm)	Min.	Max.
Ø 6.35 (Ø 0.25")	0.7 (0.0275")	1.3 (0.05")
Ø 9.52 (Ø 0.375")	1.0 (0.04")	1.6 (0.063")
Ø 12.7 (Ø 0.5")	1.0 (0.04")	1.8 (0.07")
Ø 16 (Ø 0.63")	2.0 (0.078")	2.2 (0.086")

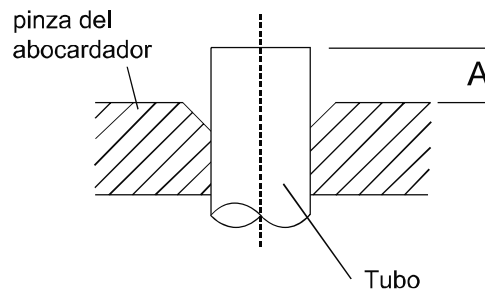


Fig. 5.5

6. Coloque el abocardador en la pinza.
7. Gire el mango del abocardador en sentido de las agujas del reloj hasta que el tubo esté completamente abocardado.
8. Retire el abocardador y compruebe que el extremo del tubo no tiene grietas o defectos.

Paso 4: Conectar las tuberías

Al conectar las tuberías, debe evitar apretarlas excesivamente y evitar deformarlas. Primero debe conectar el tubo de baja presión y luego el de alta presión.

Radio mínimo de curvatura

Al doblar el conjunto de los tubos de refrigerante, el radio de curvatura mínimo es de 10 cm. Véase la figura 5.6.

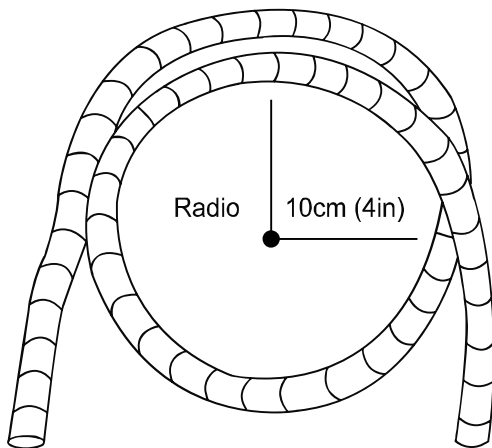


Fig. 5.6

Instrucciones para conectar la tubería en la unidad interior

1. Alinear el centro de las dos tuberías que se conectarán. Ver Fig. 5.7.

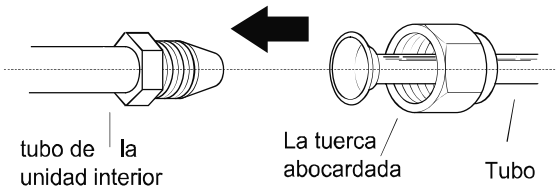


Fig. 5.7

2. Ajustar la tuerca, lo más fuerte posible con la mano.
3. Con una llave, agarre la tuerca de la tubería de la unidad.
4. Mientras sujeta firmemente la tuerca de la tubería de la unidad, utilice una llave de torsión para ajustar la tuerca, según los valores del par que figuran en la tabla. Aflojar la tuerca abocardada un poco y a continuación, apriete de nuevo.

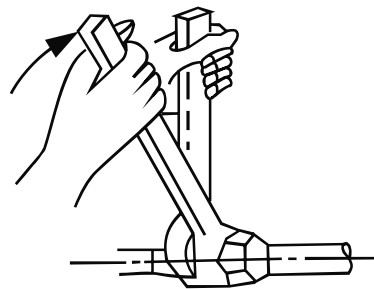


Fig. 5.8

REQUISITOS DE PAR

Diámetro del Tubo (mm)	Par de apriete (N*cm)	Par de apriete adicional (N*cm)
Ø 6.35 (Ø 0.25")	1,500 (11lb • ft)	1,600 (11.8lb • ft)
Ø 9.52 (Ø 0.375")	2,500 (18.4lb • ft)	2,600 (19.18lb • ft)
Ø 12.7 (Ø 0.5")	3,500 (25.8lb•ft)	3,600 (26.55lb•ft)
Ø 16 (Ø 0.63")	4,500 (33.19lb•ft)	4,700 (34.67lb•ft)

! NO USE UN PAR EXCESIVO

Una fuerza excesiva puede romper la tuerca o dañar las tuberías de refrigerante. No debe exceder los requerimientos de par mostrados en la tabla anterior.

Instrucciones para conectar la tubería a la unidad exterior

1. Desatornillar la tapa de las válvulas de la unidad exterior. (Ver Fig. 5.9)

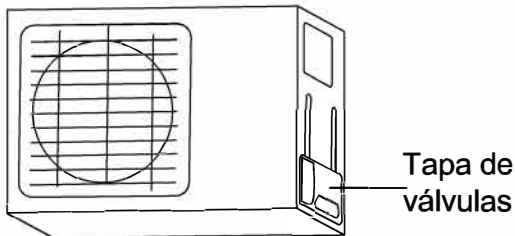


Fig. 5.9

2. Retire los tapones protectores de los extremos de las válvulas.
3. Alinear el extremo del tubo abocardado con cada válvula, y apretar la tuerca abocardada tan fuerte como sea posible con la mano.
4. Con una llave agarre el cuerpo de la válvula. No agarre la tuerca que cierra la válvula de servicio. (Ver Fig. 5.10)

! Sujetar el cuerpo de la valvula con llave inglesa

Un par de apriete excesivo puede provocar la rotura de otras partes de la valvula.

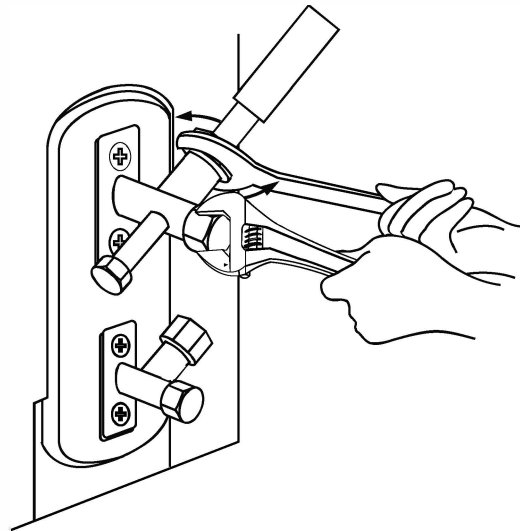


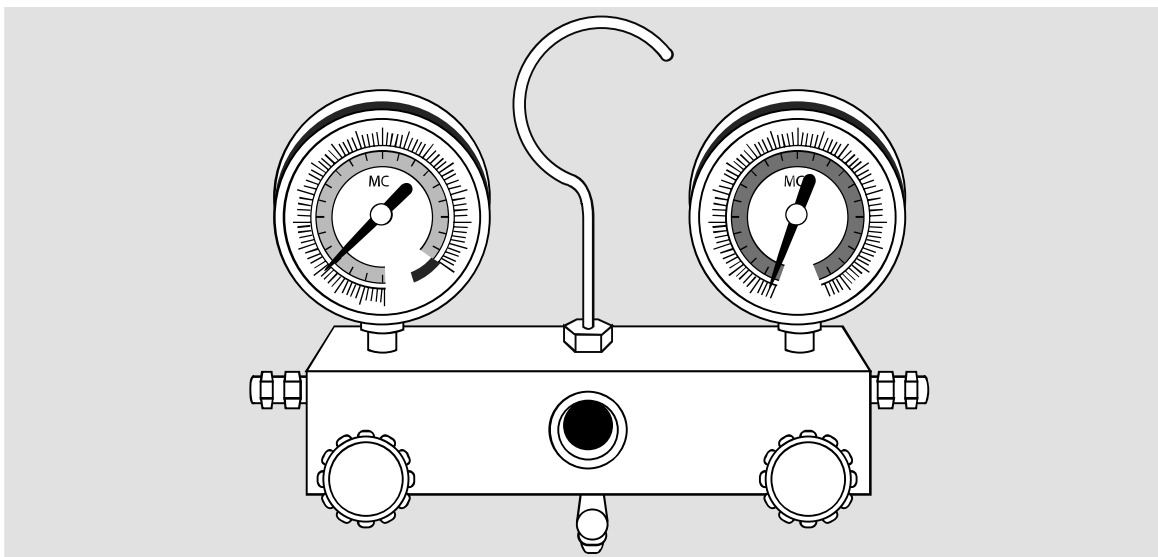
Fig. 5.10

5. Mientras sujeta firmemente el cuerpo de la válvula, utilice una llave de torsión para ajustar la tuerca, de acuerdo con los valores de par correctos.
6. Aflojar ligeramente la tuerca un poco y a continuación, apriete de nuevo.
7. Repita los pasos 3 a 6 para la tubería restante.

unidad exterior	refrigerante/GWP	carga (5m) (Kg)
AW-YHDH009-H91	R32/675	0,7
AW-YHDH012-H91	R32/675	0,8
AW-YHDH018-H91	R32/675	1,25
AW-YHDH024-H91	R32/675	1,6

Evacuación de aire

7



Preparativos y precauciones

El aire y elementos extraños en el circuito frigorífico pueden causar aumentos anormales de presión, que pueden reducir su eficacia y dañar el equipo. Utilice una bomba de vacío y manómetros para evacuar del circuito de refrigerante, la eliminación de cualquier gas no condensable y la humedad del sistema.

La evacuación debe realizarse después de la instalación inicial o cuando se reinstala.

ANTES DE REALIZAR LA EVACUACIÓN

- Verificar que las líneas de alta y baja presión entre las unidades interior y exterior están conectados correctamente, de acuerdo con la sección de conexión de las tuberías de refrigerante de este manual.
- Verificar que todo el cableado está conectado correctamente

Instrucciones de evacuación

Antes de utilizar la bomba de vacío y los manómetros, leer sus manuales de operación para utilizarlos de manera adecuada.

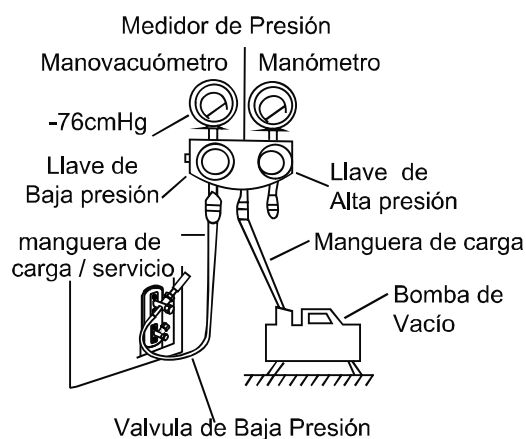


Fig. 6.1

1. Conectar la manguera de carga del medidor de presión al la toma de la válvula de baja presión de la unidad exterior.
2. Conectar otra manguera de carga del medidor de presión a la bomba de vacío.

Evacuación
de Aire

3. En el manómetro abrir la llave de baja presión, mantener el de alta cerrado.
4. Encienda la bomba de vacío para vaciar el sistema.
5. Realizar el vacío durante al menos 15 minutos, o hasta que el vacuometro alcance -76cmHg (-10^5Pa).
6. Cierre la llave de baja presión del manometro, y apagar la bomba de vacío.
7. Esperar 5 minutos y comprobar que el circuito no ha tenido cambio de presión.
8. Si hay cambio en la presión del circuito, consulte la sección de escape de gas e informarse cómo comprobar si hay fugas. Si no hay cambio en la presión, quitar la tapa de la válvula de alta presión.
9. Insertar la llave hexagonal en la válvula de paso (válvula de alta presión) y abrir la válvula girando la llave 1/4 de vuelta hacia la izquierda. Sentira salir gas del equipo, cierre la válvula después de 5 segundos.
10. Observe el manometro durante un minuto para asegurarse de que no hay ningún cambio en la presión. El manómetro debe mostrar un valor ligeramente superior a la presión atmosférica.

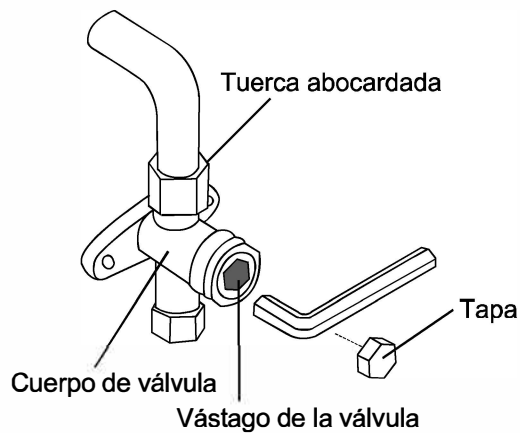


Fig. 6.2

11. Quitar la manguera de la toma de servicio.
12. Con la llave hexagonal, abra totalmente las valvulas de alta y baja presión.
13. Apriete los tapones de las válvulas en las tres válvulas (toma de servicio, alta y baja presión) con la mano. Puede usar una llave de torsión si es necesario.



ABRIR VALVULAS CON CUIDADO

Al abrir los vástagos de las válvulas, gire la llave hexagonal hasta el tope. No trate de forzar para que la válvula se abra más.

Nota sobre Añadir Refrigerante

Algunos sistemas requieren una carga adicional en función de las longitud de tubería. La longitud estándar varía según las regulaciones locales. Por ejemplo, en América del Norte, la longitud estándar es de 7,5 m. En otras áreas, la longitud del tubo estándar es de 5 m. El refrigerante adicional que se cargará puede calcularse utilizando la siguiente fórmula:

CARGA ADICIONAL DE REFRIGERANTE POR DISTANCIA DE INSTALACION

Longitud de tubería (m)	Metodo de vaciado	Refrigerante adicional	
		N/A	
≤ Distancia estandar	Bomba vacío	Linea liquido: Ø 6.35 (ø 0.25") R32: (instalación - distancia estandar) x 12g/m	Linea liquido: Ø 9.52 (ø 0.375") R32: (instalación - distancia estandar) x 24g/m
> distancia estándar	Bomba vacío	Inverter R410A: (instalación - distancia estandar) x 15g/m	Inverter R410A: (instalación - distancia estandar) x 30g/m

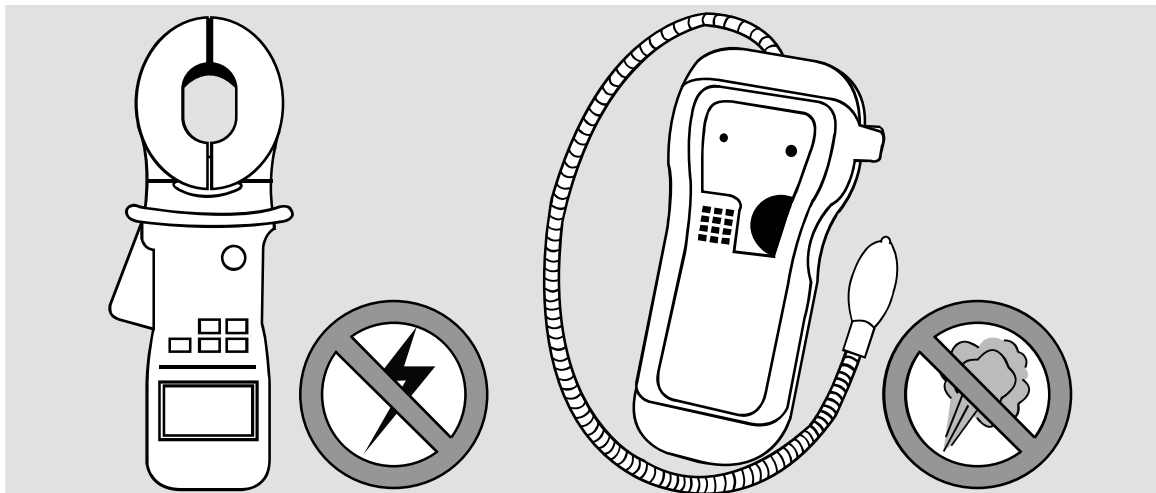


PRECAUCIÓN

No mezcle diferentes tipos de refrigerantes.

Controles eléctricos y fuga de gas

8



Controles de seguridad eléctrica

Después de la instalación, confirme que todo el cableado eléctrico está instalado de acuerdo con las regulaciones locales y nacionales, y de acuerdo con el manual de instalación.

ANTES DE REALIZAR EL CONTROL

Comprobar toma de tierra

Medida de la resistencia de puesta a tierra por revisión visual y con un comprobador de resistencia.

La conexión a tierra debe tener una resistencia inferior a 4.

DURANTE EL CONTROL

Compruebe si hay fugas eléctricas

Durante la prueba de funcionamiento, utilice una sonda electro y el multímetro para realizar un ensayo completo fugas eléctricas.

Si se detecta una fuga eléctrica, apague el equipo inmediatamente y llame a un electricista para encontrar y resolver la causa de la fuga.



ADVERTENCIA - RIESGO DE DESCARGA ELECTRICA

Todo el cableado debe cumplir con los códigos eléctricos locales y nacionales, y debe ser instalado por un electricista autorizado.

Control de fugas de gas

Hay dos métodos diferentes para comprobar si hay fugas de gas.

El método de jabón y agua

Con un cepillo suave, aplicar agua jabonosa o detergente líquido en todas las conexiones de la tubería de la unidad interior y la exterior. La presencia de burbujas indica una fuga.

Método de detección de fugas

Para usar el detector de fugas, consulte el manual de funcionamiento del dispositivo

FINALIZADO EL CONTROL DE FUGAS

Después de confirmar que todos los puntos de conexión de la tubería no tienen fuga, vuelva a colocar la tapa de las válvulas de la unidad exterior.

Prueba de funcionamiento

9

Antes de realizar la prueba

Antes de realizar la prueba de funcionamiento ha debido de hacer los siguientes pasos:

- Controles de seguridad eléctrica - Verificar que el sistema eléctrico de la unidad es seguro y funciona correctamente
- Controles de fugas de gas - Verificar todas las conexiones con tuerca abocardada y confirman que el sistema no tiene fugas.
- Verificar que las válvulas de gas y líquido (alta y baja presión) están completamente abiertas

Modo de realización

Debe realizar la prueba de funcionamiento durante al menos 30 minutos.

1. Conecte la alimentación a la unidad.
2. Pulse el botón ON / OFF del control remoto para encenderlo.
3. Pulse el botón MODE para desplazarse por las siguientes funciones, una cada vez:
 - COOL - Baje la temperatura al mínimo
 - CALOR - Suba la temperatura al máximo
4. Después de 5 minutos funcionando en cada función, haga las siguientes comprobaciones:

Puntos a comprobar	BIEN / MAL	
Sin derivaciones eléctricas		
Toma de tierra conectada		
Los terminales eléctricos están correctos		
Están bien fijadas las unidades interior y exterior		
Ausencia de fugas en la tubería frigorífica	Exterior	Interior
El agua circula en la tubería de desagüe		
Todas las tuberías están aisladas correctamente		
El equipo realiza la función de frío correctamente		
El equipo realiza la función de calor correctamente		
Las lamas en unidad interior funcionan correctamente		
La unidad interior responde al mando a distancia		

Conexiones de tubería vuelva a verificar

Durante el funcionamiento, la presión del circuito de refrigerante incrementará. Esto puede producir fugas que no había durante el examen inicial de fugas. Dedique un tiempo durante la puesta en marcha para comprobar que los puntos de conexión de la tubería de refrigerante no tienen fugas. Consulte la sección de escape del gas para instrucciones.

5. Después de completar la prueba de funcionamiento y confirmar que todos los puntos de la lista están correctos, hacer lo siguiente:
 - a. Usando el control remoto, configure la temperatura normal de funcionamiento
 - b. Usando cinta aislante, envolver las conexiones de las tuberías de refrigerante de interior que dejó sin cubrir durante el proceso de instalación de la unidad interior.

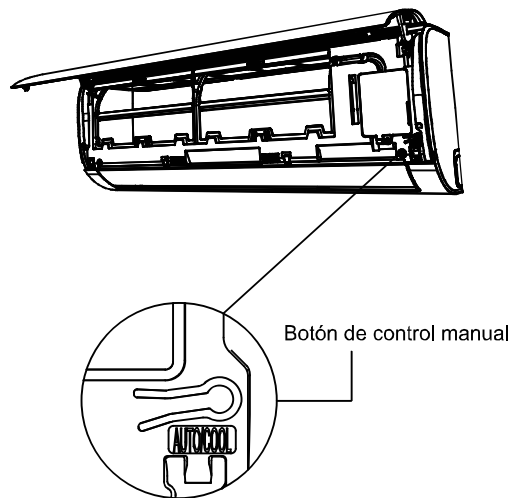


Fig. 8.1

Cuando la temperatura ambiente está por debajo de 17 ° C

No se puede utilizar el mando a distancia para activar la función de frío cuando la temperatura ambiente es inferior a 17°C. En este caso, puede utilizar el botón de control manual para probar la función de frío.

1. Levante el panel frontal de la unidad interior, hasta que encaje en su lugar.
2. El botón de control manual se encuentra en el lado derecho de la unidad. Presione 2 veces para seleccionar la función de frío. Véase la figura 8.1.
3. Realizar prueba con normalidad.

Directiva Europea sobre reciclaje

10

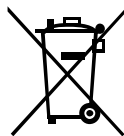
Este equipo contiene refrigerante y otros materiales potencialmente peligrosos. Al deshacerse de este equipo, la ley exige la recogida y un tratamiento especial. No se deshaga de este producto como residuo doméstico o residuos urbano no seleccionado.

Para deshacerse de este equipo, tiene las siguientes opciones:

- Dejar el equipo en las instalaciones de recogida de residuos electrónicos en su municipio.
- Al comprar de un nuevo equipo, el vendedor puede recuperar el equipo viejo sin cargo.
- El fabricante admitira de nuevo el equipo viejo sin cargo.
- Vender el equipo a los distribuidores de chatarra certificados.

Aviso especial

Si desecha el aparato en el bosque o en otros entornos naturales pone en peligro su salud y es malo para el medio ambiente. Las sustancias peligrosas pueden filtrarse a las aguas subterráneas y entrar en la cadena alimentaria.



Airwell

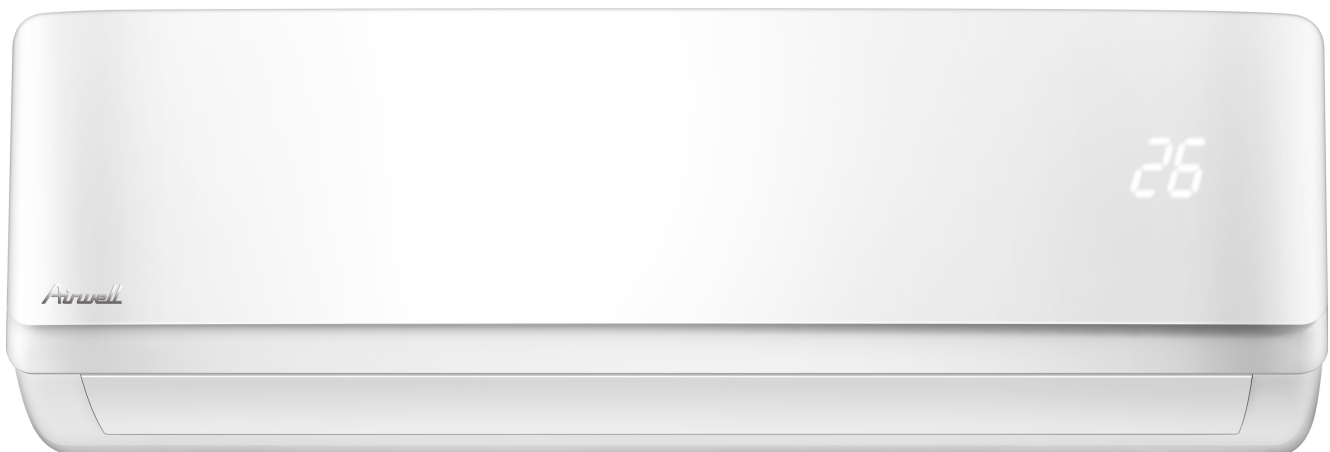
Just feel well

Installation Manual

HDH High Wall

R32

Nederlandse handleiding



IMPORTANT NOTE:

Read this manual carefully before installing or operating your new air conditioning unit. Make sure to save this manual for future reference.

INHOUD

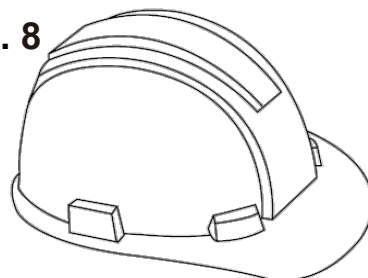
Installatiehandleiding

0	Veiligheidsvoorschriften.....	4
----------	--------------------------------------	----------

1	Accessoires	6
----------	--------------------------	----------

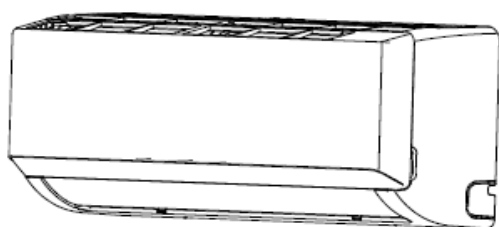
2	Details van de installatie - binnenunit.....	8
----------	---	----------

3	Onderdelen van de unit	10
----------	-------------------------------------	-----------



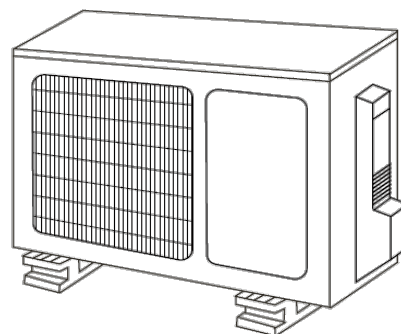
4 Installatie van de binnenunit **11**

1. De plaats voor de installatie kiezen	11
2. De bevestigingsplaat op de muur installeren	12
3. Het gat voor de leidingen in de muur boren	12
4. De koelleiding voorbereiden	14
5. De afvoerleiding aansluiten.....	15
6. De verbindingkabel aansluiten	17
7. De leidingen en kabels beschermen.....	18
8. De interne voedingskabel aansluiten.....	18
9. De binnenunit monteren	18



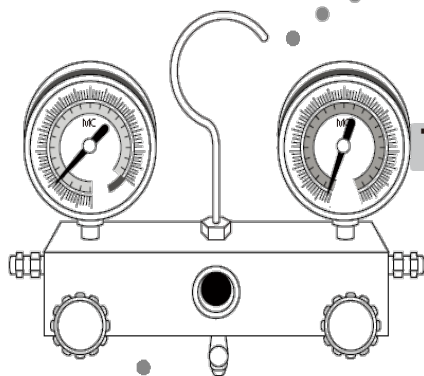
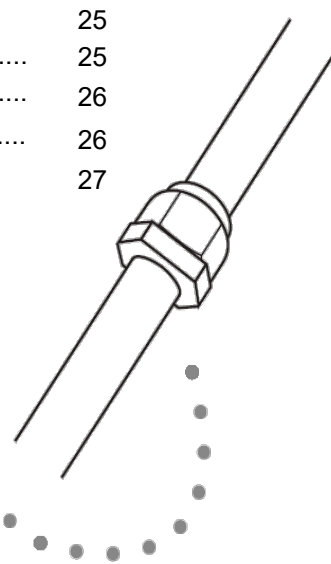
5 Installatie van de buitenunit **20**

1. De plaats voor de installatie kiezen ...	20
2. De afvoerpakking installeren.....	21
3. De buitenunit bevestigen.....	22
4. De aansluit- en voedingskabels aansluiten	23



6 Aansluiting van de koudemiddelleiding.....25

- A. Opmerking over de lengte van de leiding..... 25
- B. Instructies voor aansluiting – koudemiddelleiding 25
 - 1. De leiding doorsnijden 25
 - 2. De snede afbramen 26
 - 3. De uiteinden verwijderen 26
 - 4. De leidingen aansluiten 27



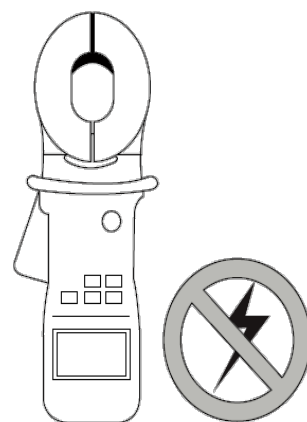
7 Luchtafvoer29

- 1. Instructies voor het afvoeren..... 29
- 2. Opmerking over het toevoegen van koudemiddel..... 30

8 Controle op het lekken van stroom en gas..31

9 Werkingstest 32

10 Informatie betreffende recycling 34



Veiligheidsinstructies

Voor het installeren de Veiligheidsinstructies goed doorlezen

Om ongevallen met de gebruiker of met derden en materiële schade te voorkomen, moeten de volgende instructies altijd gerespecteerd worden.

Een verkeerde werking als gevolg van het niet respecteren van de handleiding kan tot incidenten of onherstelbare schade leiden. De ernst wordt bepaald aan de hand van de volgende indicaties:



WAARSCHUWING

Dit symbool wijst op een risico van ernstig letsel indien de instructies niet gerespecteerd worden.



VOORZICHTIG

Dit symbool wijst op een risico van min of meer ernstig letsel voor de gebruiker en derden of op een risico van schade aan uw materiaal of andere goederen indien de instructies niet gerespecteerd worden.



Dit symbool wijst op een verboden handeling. U dient de aangegeven handelingen niet uit te voeren



WAARSCHUWING

- ⊘ De lengte van de voedingskabel niet wijzigen en geen verlengsnoer gebruiken om het apparaat van stroom te voorzien.
Het stopcontact niet delen met andere apparaten. Een ongeschikte of onvoldoende stroomvoorziening kan brand of elektrische ontlading veroorzaken.
 - ⊘ Tijdens het aansluiten van de koudemiddelleidingen geen andere stoffen of gassen dan het aangegeven koudemiddel in het apparaat toestaan. Door de aanwezigheid van andere gassen of stoffen zou het vermogen van de unit verminderen en kan er een abnormaal hoge druk ontstaan in de koelcyclus. Dit kan tot explosies en letsel leiden.
 - ⊘ Nooit kinderen met de airconditioner laten spelen. Kinderen die zich in de buurt van het apparaat bevinden, dienen constant onder toezicht te staan.
1. De installatie moet worden uitgevoerd door een dealer of een erkende specialist. Een defecte installatie kan leiden tot waterlekage, elektrische ontlading of brand.
 2. De installatie moet worden uitgevoerd volgens de installatie-instructies. Een verkeerde installatie kan leiden tot waterlekage, elektrische ontlading of brand. (In Noord-Amerika moet de installatie worden uitgevoerd overeenkomstig de normen NEC en CCE en uitsluitend door erkend personeel.)
 3. Voor reparaties en onderhoud aan dit apparaat dient contact opgenomen te worden met een erkende monteur.
 4. Uitsluitend de inbegrepen accessoires en aangegeven onderdelen gebruiken voor de installatie. Het installeren van niet-originele onderdelen kan waterlekage, elektrische ontlading of brand tot gevolg hebben en pech veroorzaken.
 5. Het apparaat installeren op een solide plek die het gewicht hiervan kan dragen. Als de gekozen plek het gewicht van de unit niet kan dragen of als de installatie niet goed is uitgevoerd, kan het apparaat vallen en ernstig letsel en ernstige schade veroorzaken.



WAARSCHUWING

6. Voor alle elektriciteitswerkzaamheden moeten de plaatselijke en nationale normen voor bekabeling, de reglementen en de installatiehandleiding gevolgd worden. U moet een onafhankelijk circuit en een enkele uitgang voor de stroomvoorziening gebruiken. Geen andere apparaten op hetzelfde stopcontact aansluiten. Een stroombron met onvoldoende vermogen of een ongeschikte elektrische installatie kunnen elektrische ontlading of brand veroorzaken.
7. Voor alle elektriciteitswerkzaamheden moeten de aanbevolen kabels gebruikt worden. Deze moeten strak aangesloten en stevig vastgezet worden om te voorkomen dat door externe handelingen het uiteinde beschadigd wordt. Onjuiste elektrische aansluitingen kunnen oververhitting, brand en elektrische ontlading veroorzaken.
8. Alle kabels moeten op de juiste wijze gelegd worden om de klep van het bedieningspaneel goed te kunnen sluiten. Als de klep van het bedieningspaneel niet goed sluit, kan dit corrosie of oververhitting van de aansluitingen van de terminal tot gevolg hebben of brand of elektrische ontlading veroorzaken.
9. Op bepaalde functionele plekken, zoals keukens, computerruimtes, enz. wordt het gebruik van speciaal voor dit gebruik ontworpen airconditioners van harte aanbevolen.



VOORZORGSMAATREGEL

- ⊘ Voor de units met een extra elektrische verwarming mag deze **niet** op minder dan een meter van brandbare materialen geïnstalleerd worden.
 - ⊘ Het apparaat **niet** installeren in een ruimte waar brandbare gassen zouden kunnen lekken.
 - ⊘ Als dit brandbare gas zich rond de unit ophoopt, zou dit brand kunnen veroorzaken.
 - ⊘ De airconditioner **niet** laten werken in een vochtig vertrek, zoals een badkamer of een washok. Bij een te grote blootstelling aan water kan er kortsluiting ontstaan.
1. Tijdens het installeren moet het product op de juiste wijze geaard worden, om elektrocutie te vermijden.
 2. De afvoerleidingen moeten volgens de instructies in deze handleiding geïnstalleerd worden. Een verkeerde afvoer kan tot waterschade in uw huis en aan uw bezittingen leiden.

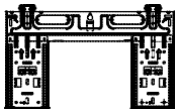


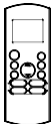




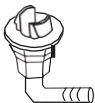
Opmerking over gefluoreerde gassen



1. Deze airconditioner bevat gefluoreerde gassen. Zie voor alle informatie over het type en de hoeveelheid gas het bijbehorende etiket op het apparaat.
2. De installatie van en het onderhoud, de servicebeurt en de reparaties aan dit apparaat moeten uitgevoerd worden door een erkende monteur.
3. Het verwijderen en recyclen van het product moet worden uitgevoerd door een erkende monteur.
4. Als het apparaat een ingebouwd lekdetectiesysteem bevat, moet dit minstens een keer per jaar op lekkage gecontroleerd worden.
5. Wanneer het apparaat op lekkage gecontroleerd is, is het aan te raden de uitgevoerde verificaties bij te houden in een logboek.

Accessoires

1

Het airconditioningsysteem wordt geleverd met de hieronder aangegeven accessoires. Deze onderdelen gebruiken voor de installatie van de airconditioner. Een verkeerde installatie kan leiden tot waterlekage, elektrische ontlading of brand en pech veroorzaken.

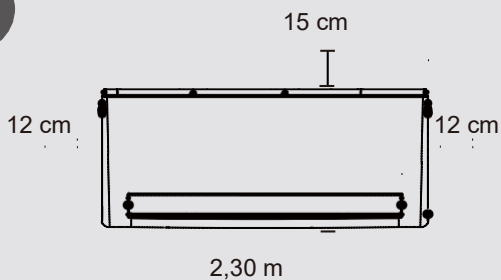
Naam	Vorm	Aantal	
Bevestigingsplaat		1	
Pen		5	
Schroef voor bevestigingsplaat ST3.9 X 25		5	
Afstandsbediening		1	
Schroef voor houder afstandsbediening ST2.9 x 10		2	Optioneel verkrijgbare onderdelen
Houder voor afstandsbediening		1	
AAA batterij (LR03)		2	
Pakking		1 (uitsluitend voor de omkeerbare modellen koelen / verwarmen)	
Afvoerkoppelstuk			

Naam	Vorm		Aantal
Gebruikershandleiding			1
Installatiehandleiding			1
Montage van de aansluitleidingen	Zijde vloeistof	<D6,35mm	<p>Zelf aan te schaffen onderdelen, deze worden niet meegeleverd.</p> <p>Voor de maat van de leidingen, uw detailhandelaar raadplegen.</p>
		<D9,52 mm	
	Zijde gas	<D9,52 mm	
		<D12,7 mm	
		<D16 mm	

Samenvatting installatie - Binnenunit

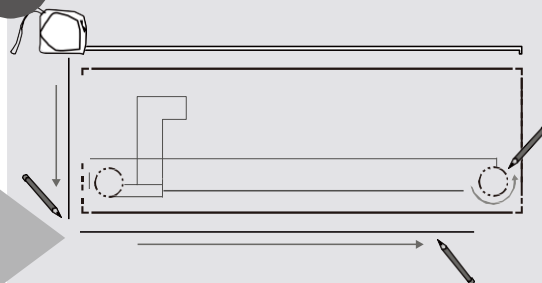
2

1



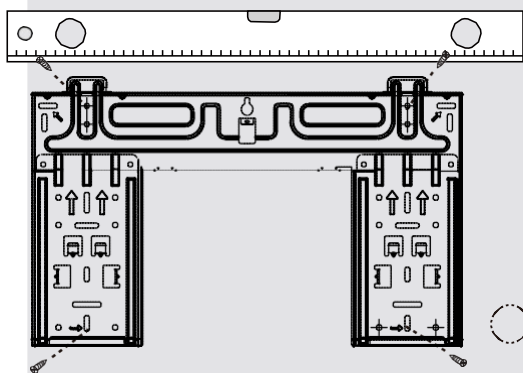
De plaats voor de installatie kiezen
(Pagina 11)

2



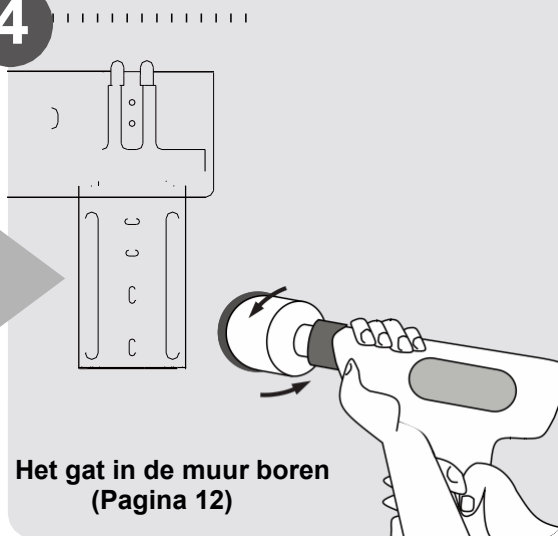
De plaats van het gat in de muur bepalen
(Pagina 12)

3

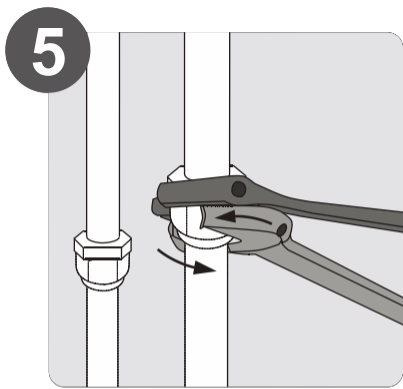


De bevestigingsplaat installeren
(Pagina 12)

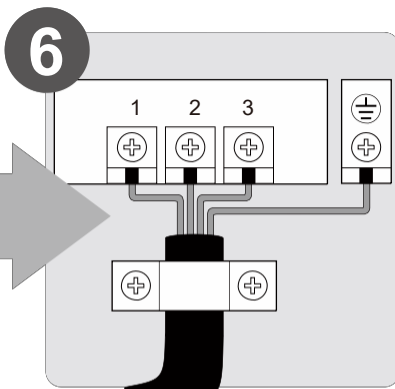
4



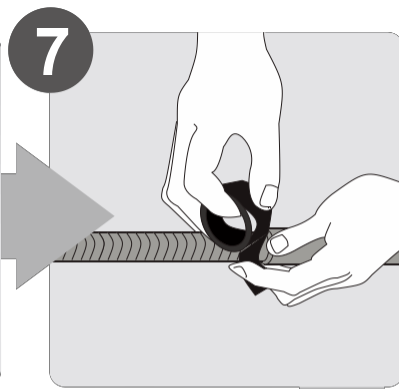
Het gat in de muur boren
(Pagina 12)



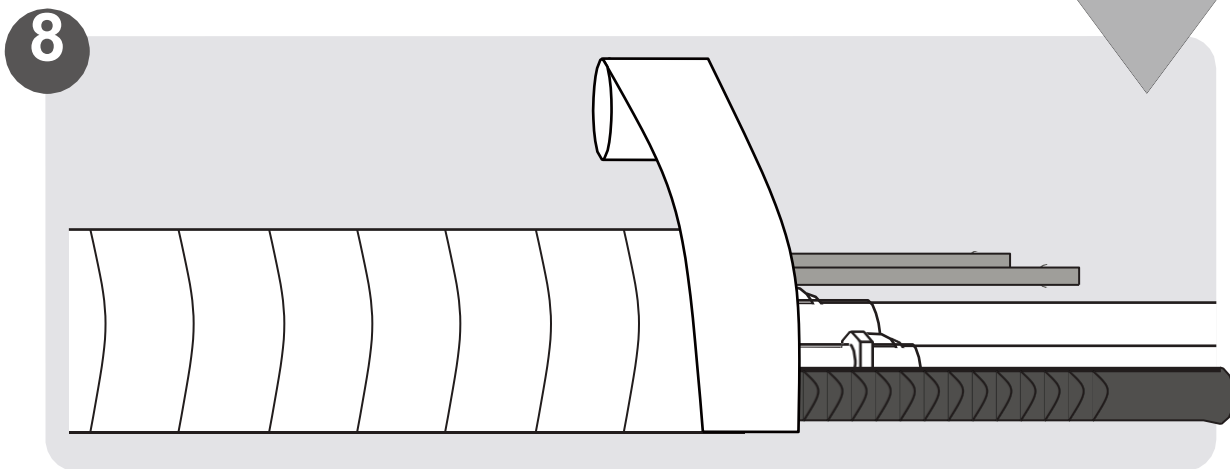
5
De leidingen
aansluiten
(Pagina 25)



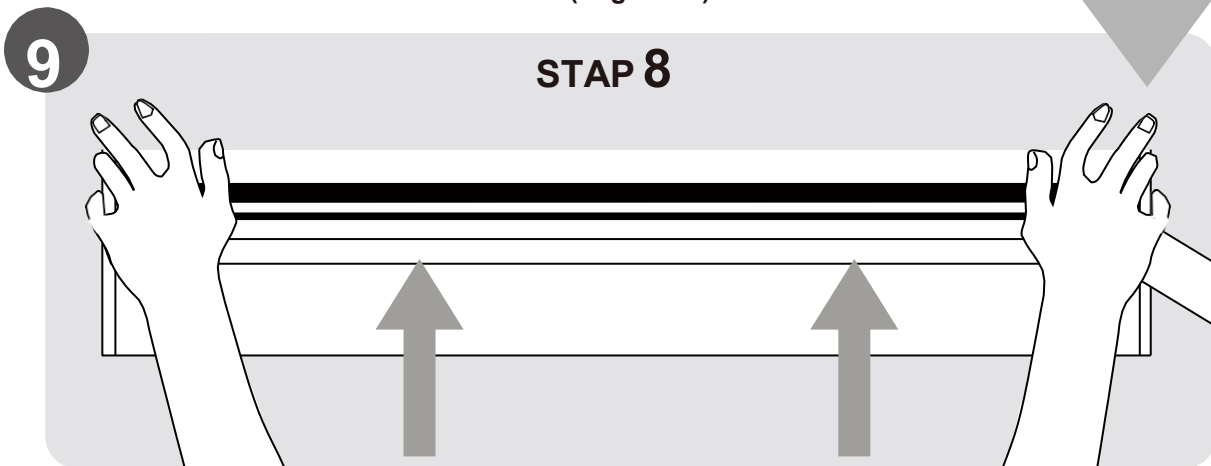
6
De kabels
aansluiten
(Pagina 17)



7
De afvoerleiding
voorbereiden
(Pagina 14)



8
De leidingen en de
kabel beschermen
(Pagina 18)



9
STAP 8
De binnenunit monteren
(Pagina 18)

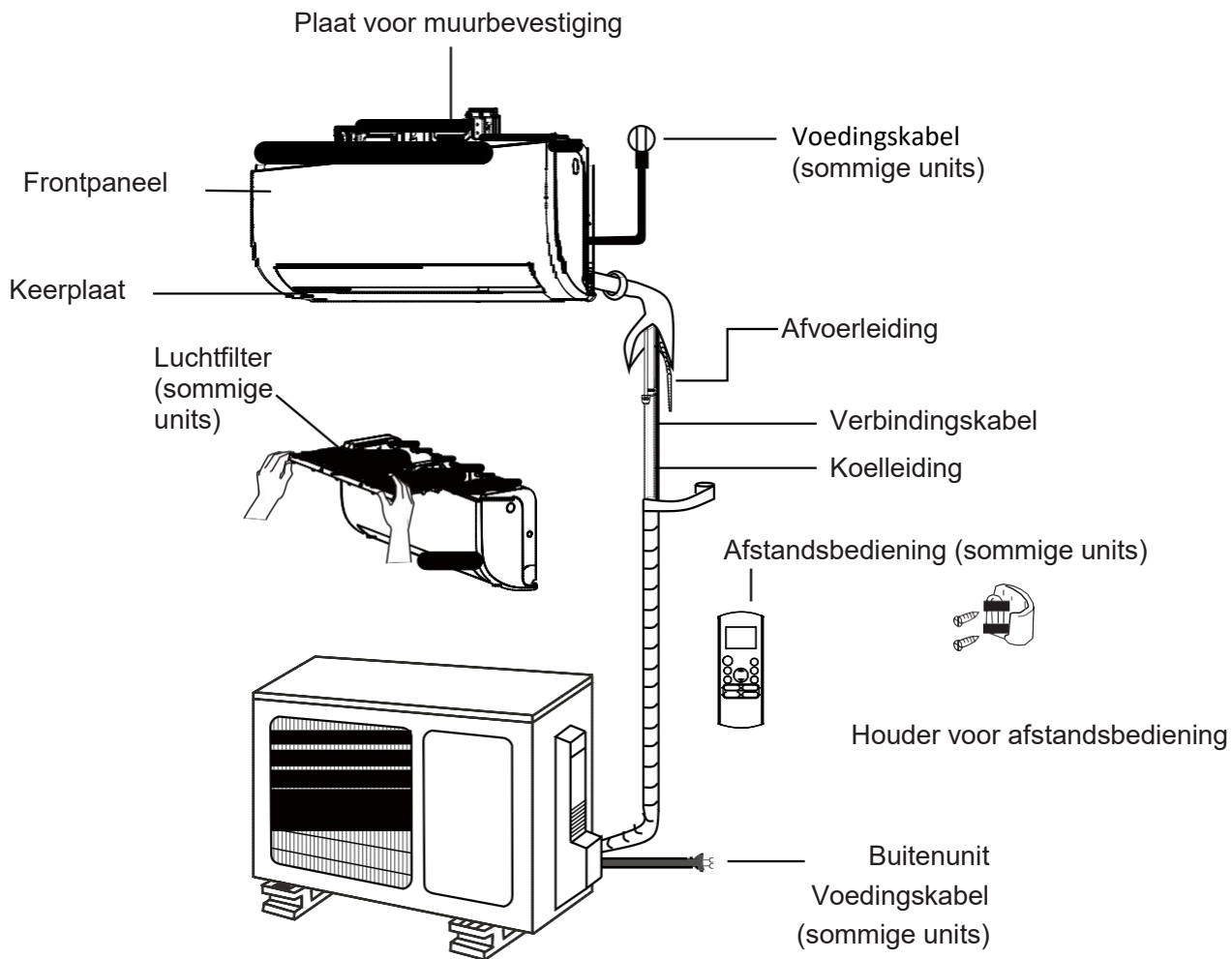
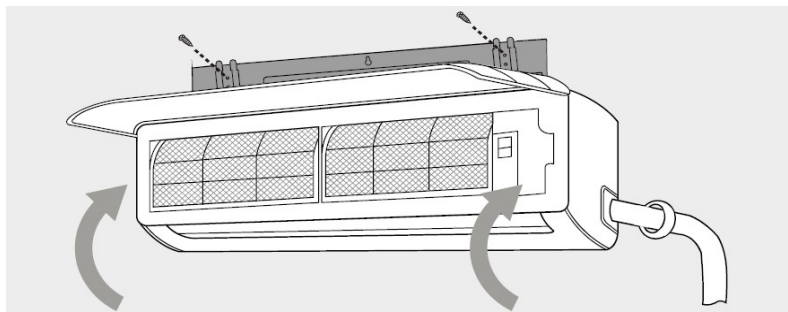


Fig.2.1

OPMERKINGEN OVER DE ILLUSTRATIES

De illustraties in deze handleiding dienen als uitleg. De werkelijke vorm van uw binnenunit kan enigszins verschillen. De werkelijke vorm is doorslaggevend.



Installatie-instructies – Binnenunit

VOOR HET INSTALLEREN

⊗ Voor het installeren van de binnenunit het etiket op de verpakking van het product raadplegen, om er zeker van te zijn dat het modelnummer van de binnenunit overeenkomt met dat van de buitenunit.

Stap 1: Keuze van de plaats van de installatie

⊗ Alvorens de binnenunit te installeren, moet u een geschikte plaats kiezen. De volgende normen zullen u helpen bij het kiezen van een geschikte plaats voor het apparaat.

Om geschikt te zijn, moet de plaats van de installatie aan de volgende normen beantwoorden:

- Goede luchtcirculatie
- Juiste afvoer van de condens
- Het geluid van de unit mag andere personen niet storen
- Stevig en solide - de plaats mag niet trillen
- Voldoende solide om het gewicht van het apparaat te dragen
- Een plaatsing op minstens een meter van alle andere elektrische apparatuur (televisie, radio, computer, enz.)

De unit **NIET** op de volgende plekken installeren:

- ⊗ In de buurt van een warmtebron, stoom of brandbaar gas
- ⊗ In de buurt van brandbare elementen, zoals gordijnen of kleding
- ⊗ In de buurt van een obstakel dat de luchtcirculatie zou kunnen blokkeren
- ⊗ In de buurt van de deur
- ⊗ Op een plek met zonlicht

OPMERKING OVER HET GAT IN DE MUUR:

Als er geen vaste koudemiddelleiding is: Bij het kiezen van een plek moet u zorgen dat er voldoende plaats overblijft voor een gat in de muur (zie de stap **Een gat in de muur boren om de leidingen aan te sluiten**) voor de signaalkabel en de koudemiddelleidingen die de binnenunit met de buitenunit verbinden. Standaard is de positie voor alle leidingen aan de rechterzijde van de binnenunit (wanneer men voor de unit staat). Het is echter ook mogelijk om de leidingen links te plaatsen.

Het volgende schema raadplegen om zeker te zijn van de juiste afstand tot de muren en het plafond:

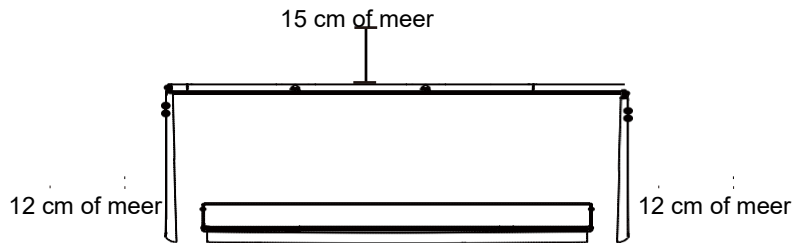


Fig. 3.1

Stap 2: De montageplaat aan de muur bevestigen

De montageplaat dient voor het monteren van de binnenunit.

1. De schroef verwijderen die de montageplaat op de achterzijde van de binnenunit bevestigt.
2. De montageplaat tegen de muur plaatsen in een ruimte die beantwoordt aan de normen van "**Stap 1: Keuze van de plaats van de installatie**". (Zie voor de gedetailleerde informatie de afmetingen van de platen op het montageschema.)
3. De gaten boren voor de montageschroeven op plekken die:
 - pennen bezitten en in staat zijn het gewicht van het apparaat te dragen
 - overeenkomen met de schroefgaten in de montageplaat
4. De montageplaat aan de muur bevestigen met de meegeleverde schroeven.
5. Controleren of de montageplaat goed tegen de muur gedrukt is.

OPMERKING VOOR MUREN VAN BETON OF BAKSTEEN

In geval van een muur van baksteen, beton of gelijkwaardig materiaal moet men gaten met een diameter van 5 mm boren in de muur en hier de meegeleverde pluggen in doen. Vervolgens de montageplaat aan de muur bevestigen door de schroeven rechtstreeks in de pluggen vast te draaien.

Stap 3: Het gat in de muur boren om de leidingen aan te sluiten

U moet een gat in de muur boren voor de koudemiddelleidingen, de afvoerleidingen en de signaalkabel waarmee de binnenunit met de buitenunit verbonden kan worden.

1. De plaats van het gat in de muur bepalen op basis van de positie van de montageplaat. De afmetingen van de montageplaat raadplegen op de volgende pagina, hiermee kunt u de optimale positie bepalen. Het gat in de muur moet een diameter van minstens 65 mm hebben en enigszins naar beneden gericht zijn, om het draineren te vergemakkelijken.
2. Met een boortje van 65 mm een gat in de muur boren. Er voor zorgen dat het gat enigszins naar beneden gericht is, zodat het externe gedeelte van het gat zicht ca. 5 tot 7 mm lager bevindt dan het interne gedeelte. Hierdoor is een goede afvoer mogelijk. (Zie Fig. 4.2)
3. De beschermkap van de wand in het gat plaatsen. Hiermee worden de randen van het gat beschermd en zal het metselen eenvoudiger zijn na het voltooien van de installatie.

! LET OP

Tijdens het boren van het gat in de muur dient men ervoor te zorgen dat men bedrading, waterleidingen en andere gevoelige componenten vermijdt.

Muur

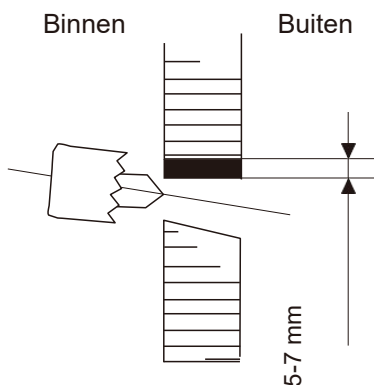


Fig. 3.2

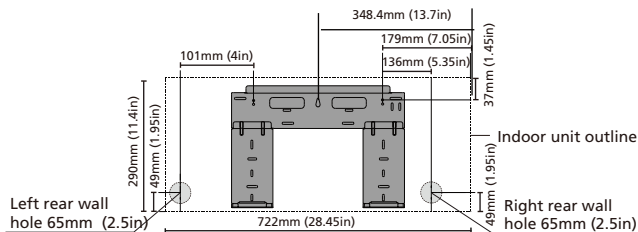
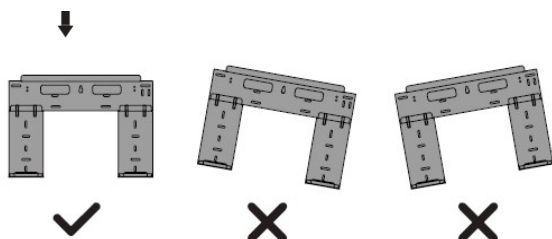
Afmetingen van de montageplaat

De verschillende modellen hebben niet allemaal dezelfde montageplaat. Om er zeker van te zijn dat u voldoende ruimte heeft om de binneneenheid te monteren, tonen de schema's rechts de verschillende soorten montageplaten en de volgende afmetingen:

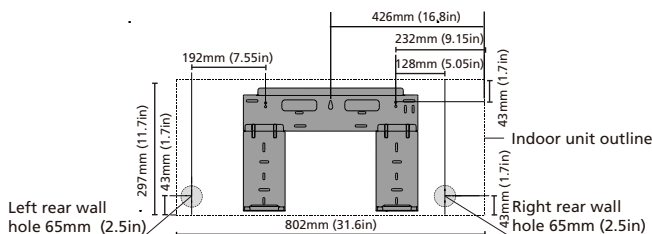
- Breedte van de montageplaat
- Hoogte van de montageplaat
- Breedte van de binneneenheid ten opzichte van de plaat
- Hoogte van de binneneenheid ten opzichte van de plaat
- Aanbevolen positie van het gat in de muur (zowel links als rechts van de montageplaat)
- Afstanden tussen de schroefgaten



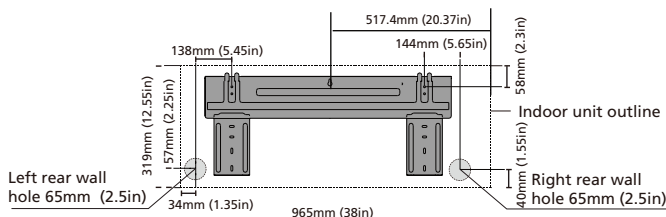
Juiste plaatsing van de montageplaat



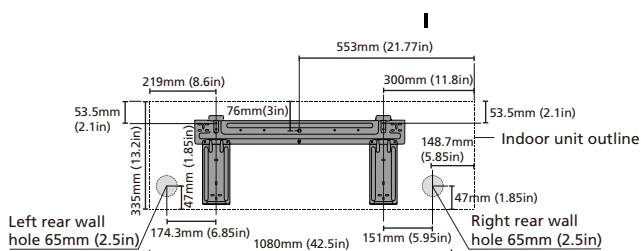
Model 9



Model 12



Model 18



Model 24

NOTE: When the gas side connective pipe is Φ 16mm(5/8in) or more, the wall hole should be 90mm(3.54in).

Stap 4: Voorbereiding van de koudemiddelleidingen

De koudemiddelleidingen bevinden zich in een isolerende huls die op de achterzijde van het apparaat bevestigd is. U moet de leidingen voorbereiden alvorens deze in het gat in de muur te steken. De paragraaf **Aansluiting van de koudemiddelleiding** van deze handleiding raadplegen voor de gedetailleerde instructies over de verwijde leiding en de eisen betreffende het koppel, de techniek...

1. Op basis van de positie van het gat ten opzichte van de montageplaat aan de muur de zijde van de afvoerleidingen van de unit kiezen.
2. Als het gat in de muur zich achter het apparaat bevindt, de breekpoort laten zitten. Als het gat in de muur zich naast de binnenunit bevindt, de plastic breekpoort aan deze zijde van de unit verwijderen. (Zie Fig. 3.3). Hierdoor ontstaat een spleet via welke de leidingen uit de unit verwijderd kunnen worden. Een punttang gebruiken als de plastic breekpoort niet met de hand verwijderd kan worden.

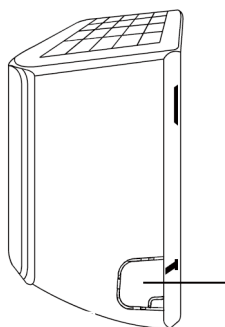


Fig 3.3

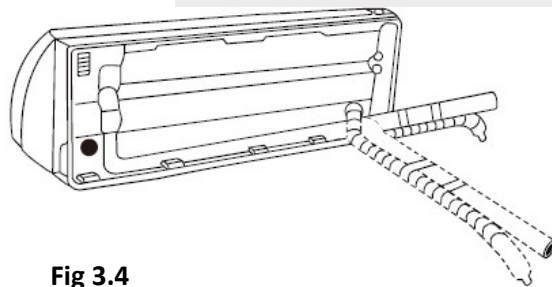
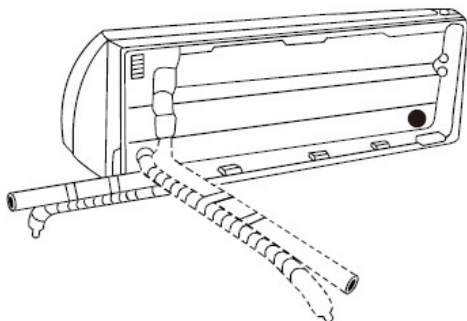


Fig 3.4

3. Een schaar gebruiken om de isolatiekous over ca. 15 cm van de koudemiddelleidingen af te knippen. Dit dient om:

- Het aansluiten van de koudemiddelleiding te vergemakkelijken
- Het controleren van gaslekken te vergemakkelijken en u in staat te stellen deuken te detecteren.

4. Als er al een verbindingsleiding in de muur aanwezig is, doorgaan met de stap voor het aansluiten van de draineerleiding. Als er geen leidingen ingebouwd zijn, de koudemiddelleiding van de binnenunit aansluiten op de leiding die de binnenunit met de buitenunit verbindt. De paragraaf **Aansluiting van de koudemiddelleiding** van de handleiding raadplegen voor gedetailleerde instructies.

5. Op basis van de positie van het gat ten opzichte van de montageplaat aan de muur de voor uw leidingen benodigde hoek bepalen.

6. De koudemiddelleiding vastnemen aan de onderkant van de knik.

7. De leidingen voorzichtig met enige druk in de richting van het gat buigen. Tijdens deze handeling deuken in, of beschadigingen aan de leidingen voorkomen.

OPMERKING over de hoek van de leidingen

De koudemiddelleidingen kunnen de binnenunit onder vier verschillende hoeken verlaten:

- Links
- Linksachter
- Rechts
- Rechtsachter

Voor meer details, zie Fig.3.4



LET OP

Zeer voorzichtig zijn om de leidingen niet in te deuken of te beschadigen tijdens het van de unit weg buigen hiervan. Deuken in de leidingen zullen de prestaties van de unit negatief beïnvloeden.

Stap 5: De afvoerleiding aansluiten

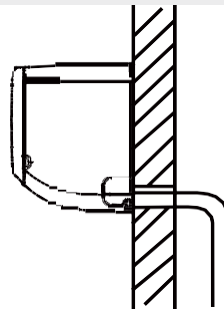
Standaard is de afvoerleiding bevestigd aan de linkerkant van de unit (wanneer u achter de unit staat). Deze kan echter ook aan de rechterkant bevestigd worden.

1. Voor een goede afvoer moet de afvoerleiding aan dezelfde kant als de koudemiddelleiding bevestigd worden.
2. Het verlengstuk van de afvoerleiding (apart verkocht) wordt aan het uiteinde hiervan bevestigd.
3. De aansluiting stevig met isolatieband omwikkelen voor een goede afdichting en om lekkage te vermijden.
4. Om condens te vermijden, het gedeelte van de afvoerleiding dat binnen blijft, omwikkelen met isolatieschuim.

Het luchtfilter verwijderen en een kleine hoeveelheid water in de afvoerbak schenken en controleren of het water langzaam vanuit de unit wegloopt.

HET ONGEBRUIKTE AFVOERGAT AFSLUITEN

Om ongewenste lekkage te voorkomen, moet u het ongebruikte afvoergat afsluiten met de meegeleverde rubber dop.

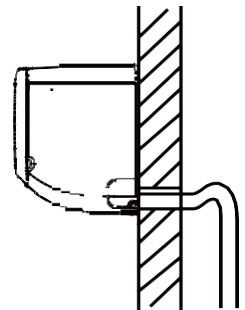


GOED

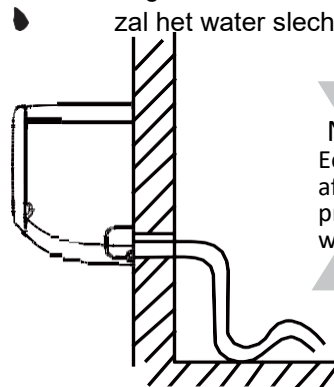
Controleren of er geen knikken of verdikkingen zijn in de afvoerleiding om een goede afvoer te garanderen

Fig. 3.5

NIET GOED



In geval van knikken in de afvoerleiding zal het water slecht weglopen



NIET GOED

Een verdraaide afvoerleiding zal problemen met het wegstromen geven

Fig. 3.7

NIET GOED

Het uiteinde van de afvoerleiding niet in water plaatsen of in bakken waarin water opgevangen wordt. Dit zou een goede afvoer verhinderen.

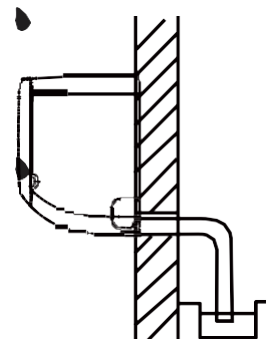


Fig. 3.8



OPMERKING OVER DE POSITIE VAN DE AFVOERLEIDING

Controleren of de afvoerleiding geplaatst is zoals aangegeven in Fig. 3.5.

- ⊘ NIET de afvoerleiding knikken.
- ⊘ GEEN punten creëren waar het water wordt vastgehouden.
- ⊘ Het uiteinde van de afvoerleiding NIET in water plaatsen of in een bak waar dit zou kunnen ophopen.

! ALVORENS ELEKTRICITEITSWERKZAAMHEDEN UIT TE VOEREN, DEZE INSTRUCTIES LEZEN

1. Alle kabels moeten voldoen aan de plaatselijke en nationale elektriciteitsnormen en door een erkende elektricien geïnstalleerd worden.
2. Alle elektriciteitsverbindingen moeten uitgevoerd worden volgens het elektriciteitsverbindingsschema op de panelen van de binnen- en de buitenunit.
3. In geval van ernstige veiligheidsproblemen betreffende de stroomvoorziening moet het werk onmiddellijk worden stilgelegd. De reden uitleggen aan de klant en weigeren de unit te installeren, totdat het veiligheidsprobleem volledig is opgelost.
4. De voedingsspanning moet tussen 90 en 100% van de nominale spanning bedragen. Een onvoldoende stroomvoorziening kan tot een slechte werking, elektrische ontlading of brand leiden.
5. In geval van aansluiting van de stroomvoorziening op een vaste bekabeling moeten er een overspanningsbegrenzer en een hoofdstroomschakelaar geïnstalleerd worden met een vermogen van 1,5 maal de maximale stroom van de unit.
6. In geval van aansluiting van de stroomvoorziening op een vaste bekabeling, moet er een stroomverbreker of een werkschakelaar in de vaste bekabeling ingebouwd worden die alle kabels losmaakt en een contactscheider van minstens 3 mm heeft. De monteur moet een goedgekeurde werkschakelaar gebruiken.
7. Het apparaat uitsluitend aansluiten op een los stopcontact van het vertakte circuit. Geen andere apparatuur op dit stopcontact aansluiten.
8. Controleren of de aansluiting van de airconditioning geaard is.
9. Iedere draad moet stevig aangesloten zijn. Losse kabels kunnen de klem oververhitten en tot storingen leiden en zelfs brand veroorzaken.
10. De draden niet in contact laten komen met de koudemiddelleidingen, de compressor of de bewegende onderdelen van de unit en deze hier niet op laten rusten.
11. Als de unit gebruik maakt van een extra elektrische verwarming, moet deze op minstens een meter van brandbare materialen geïnstalleerd worden.

Andere zones

Stap 6: De verbindingkabel aansluiten

Met de verbindingkabel kan er verbinding gemaakt worden tussen de binnen- en buitenunit. Beginnen met het kiezen van de juiste maat kabel alvorens deze voor te bereiden op de verbinding.

Kabelsoorten

- **Externe voedingskabel:** H07RN-F of R2V
- **Verbindingkabel:** H07RN-F of R2V

Minimum diameter van de voedings- en verbindingkabels in de Zone Noord-Amerika

Stroomsterkte van het apparaat in amp (A)	Norm American Wire Gauge (AWG)
10	18
13	16
18	14
25	12
30	10

Nominale stroom van het apparaat (A)	Nominale kabeldoorsnede (mm ²)
>3 en ≤6	0.75
>6 en ≤10	1
>10 en ≤16	1.5
>16 en ≤20	2.5
>20 en ≤32	4
>32 en ≤40	6

DE JUISTE KABELDOORSNEDE KIEZEN

De doorsnede van de benodigde voedingskabel, verbindingkabel, zekering en werkschakelaar wordt bepaald door de maximum bedrijfsstroom van de unit. Deze staat vermeld op het plaatje op het zijpaneel van de unit. Dit plaatje raadplegen om de juiste kabel, zekering of werkschakelaar te kiezen.



WAARSCHUWING

ALVORENS WERKZAAMHEDEN UIT TE VOEREN AAN DE ELEKTRICITEIT OF DE BEKABELING, EERST DE HOOFDSTROOMVOORZIENING VAN HET SYSTEEM UITSCHAKELEN.

DE SPECIFICATIES VAN DE ZEKERING IN AANMERKING NEMEN

Voor het moederbord van de airconditioner is er een zekering die tegen overspanning beschermt. De specificaties van de zekering staan op het bord geprint. Voorbeeld: T3.15A / 250VAC, T5A / 250VAC, enz...



WAARSCHUWING

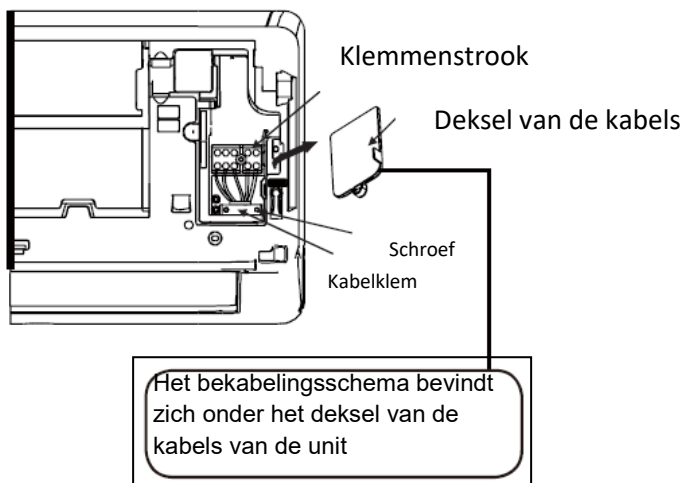
HET BEKABELEN MOET PLAATSVINDEN CONFORM HET BEKABELINGSSCHEMA DAT ZICH IN DE UNIT BEVINDT.

1. De te verbinden kabel voorbereiden:
 - a. Een striptang gebruiken en de huls strippen aan de beide uiteinden van de verbindingkabel om ca. 15 cm van de interne draden zichtbaar te maken.
 - b. De uiteinden van de draden strippen.
 - c. Een tang gebruiken en de kabelschoenen (voor soepele draad) in een U vastklemmen op de uiteinden van de draden. Op de stijve kabel, als er maar een draad is, een oogje maken.
4. De klemring onder de klemmenstrook losschroeven en deze op de zijkant plaatsen.
5. Aan de achterkant van de unit het plastic paneel links onder verwijderen.

UITKIJKEN VOOR DE DRADEN DIE ONDER

Tijdens het vastklemmen van de draden er voor zorgen dat de fasedraad (L) goed te onderscheiden is van de andere draden.

2. Het voorpaneel van de binnenunit openen door dit los te schroeven volgens het schema Fig.4.7. Hierdoor is er meer plaats voor het verbinden van de kabels.
3. Het deksel van het kastje openen voor het aansluiten van de kabel.



- De verbindingkabel in deze gleuf steken, van de achterkant van de unit naar de voorkant.
- Wanneer u voor het apparaat staat, de kleuren van de draden overeen laten komen met de etiketten op de klemmenstrook en de kabelschoenen in U-vorm aansluiten. Iedere draad stevig vastschroeven op de bijbehorende klem.

! LET OP

DE WEL EN NIET ONDER STROOM STAANDE DRADEN NIET DOOR ELKAAR HALEN

Dit is gevaarlijk en zou tot storing in de airconditioner kunnen leiden.

- Na gecontroleerd te hebben of alle verbindingen beveiligd zijn, de kabelklem gebruiken om de verbindingkabel aan de unit te bevestigen. De kabelklem goed vastschroeven.
- Het metalen deksel terugplaatsen op de voorzijde van het apparaat en het plastic paneel aan de achterzijde.

! OPMERKING OVER DE BEKABELING

HET VERBINDEN VAN DE KABELS KAN ENIGSZINS VARIËREN TUSSEN DE VERSCHILLENDE UNITS.

STAP 7: De leidingen en de kabels beschermen

Alvorens de leidingen, de afvoerleiding en de verbindingkabel in het gat in de muur te steken, deze samenbundelen om ruimte te besparen, ze te beschermen en ze te isoleren.

- De afvoer- en koudemiddelleiding en de verbindingkabel samenbundelen zoals in **Fig. 3.12**.

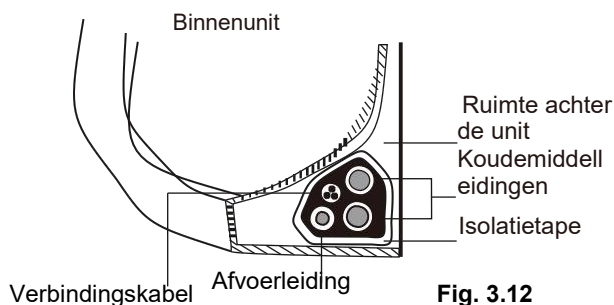


Fig. 3.12

DE VERBINDINGSKABEL NIET MET DE ANDERE VERSTRENGELEN

Tijdens het samenbundelen van deze elementen, de verbindingkabel niet met andere kabels verstrengelen of kruisen.

- Met vinyl tape de afvoerleiding op de onderkant van de koudemiddelleidingen bevestigen.
- Met isolatietape de verbindingkabel, de koudemiddelleidingen en de afvoerleiding samen strak omwikkelen. Tweemaal verifiëren of alle elementen gebundeld zijn zoals aangegeven op Fig. 3,12.

NIET DE UITEINDEN VAN DE LEIDINGEN OMWIKKELEN

Tijdens het omwikkelen van het geheel de uiteinden van de leidingen vrij houden. Deze moeten bereikbaar blijven voor het testen op lekken aan het einde van de installatieprocedure (zie paragraaf **Controle op lekken van stroom en gas** in deze handleiding).

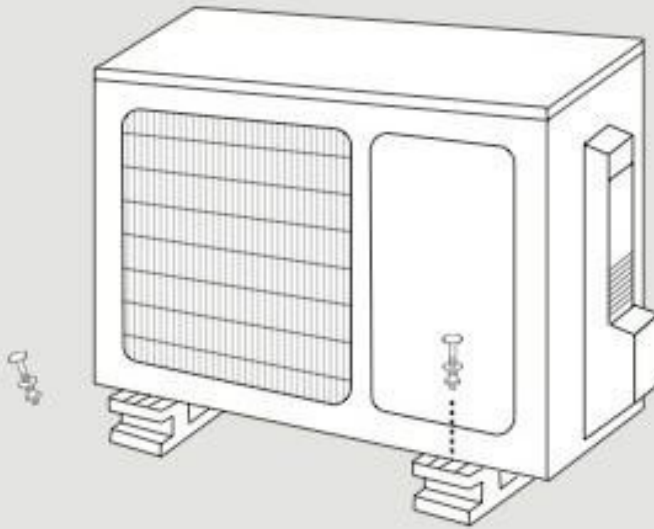
STAP 8: De binnenunit monteren

Als u een nieuwe leiding voor aansluiting op de buitenunit heeft geïnstalleerd, ga dan als volgt te werk: 1 Als u de koudemiddelleidingen al in het gat in de muur heeft gestoken, ga dan verder met Stap 4.

- Zo niet, verifiëren of de uiteinden van de koudemiddelleidingen hermetisch afgesloten zijn, om te voorkomen dat vuiltjes of vreemde deeltjes in de leidingen komen.
- De samen omwikkelde koudemiddelleidingen, afvoerleiding en verbindingkabel langzaam in het gat in de muur steken.
- Het bovenste gedeelte van de binnenunit aan de bovenste haak van de montageplaat ophangen.
- Verifiëren of de unit stevig op de plaat bevestigd is door de unit licht naar links en naar rechts te duwen. De eenheid mag niet bewegen.
- Daarna de onderkant van de unit naar beneden duwen. Blijven duwen totdat het apparaat aan de haken aan de onderkant van de montageplaat blijft hangen.
- Nogmaals verifiëren of het apparaat stevig gemonteerd is door licht tegen de rechter- en linkerkant van de unit te duwen.

Installatie van de buitenunit

5



Installatie-instructies - Buitenunit

Stap 1: De plaats voor installatie kiezen

Alvorens de buitenunit te installeren, een geschikte plaats kiezen. De volgende aanwijzingen zijn criteria die u behulpzaam zijn bij het zoeken van een geschikte plaats.

Een geschikte plaats moet aan de volgende normen beantwoorden:

Aan alle hiernaast beschreven criteria betreffende de afstand beantwoorden (Fig. 4.1)

- Over een goede luchtcirculatie en een goede ventilatie beschikken
- De plaats moet stabiel en solide zijn en de unit kunnen dragen zonder trillingen
- Het geluid mag de omgeving niet hinderen
- Beschut zijn tegen langdurige blootstelling aan direct zonlicht of regen

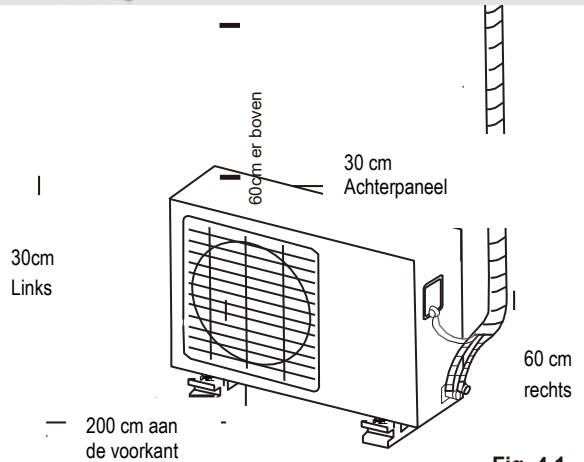


Fig. 4.1

De unit **NIET** installeren op de volgende plaatsen:

- In de buurt van een obstakel dat de luchtingangen en -uitgangen blokkeert
- In de buurt van een straat, drukbezochte plaatsen en op plekken waar het geluid zou kunnen hinderen
- In de buurt van dieren of planten die last zouden kunnen hebben van de uitgestoten warme lucht
- In de buurt van brandbare gassen
- Op een plek met veel stof
- Op een aan te veel zilte lucht blootgestelde plek

OPMERKING SPECIAAL VOOR EXTREME KLIMATEN

Bij blootstelling van het apparaat aan harde wind:

De unit zodanig installeren, dat de ventilator in een hoek van 90° ten opzichte van de windrichting geplaatst is. Indien nodig, een barrière bouwen voor het apparaat, om dit te beschermen tegen uiterst harde wind.

Zie Fig. 4.2 en Fig. 4.3 hieronder.

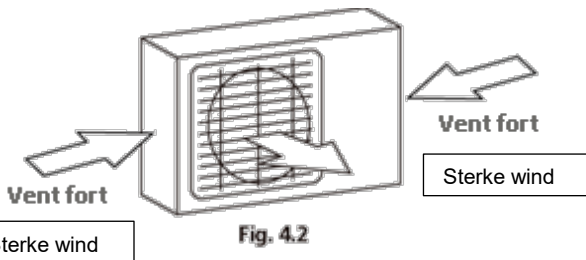


Fig. 4.2

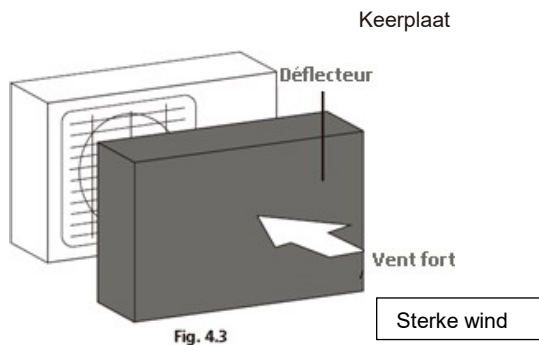


Fig. 4.3

Als de unit vaak wordt blootgesteld aan veel regen of sneeuw:

Een afdak bouwen boven het apparaat om dit te beschermen tegen de slechte weersomstandigheden en om tocht te voorkomen.

Als de unit veel wordt blootgesteld aan zilte lucht (zeekust):

Een speciaal hiervoor ontworpen buitenunit gebruiken om corrosie te vermijden.

Stap 2: Het afvoerkoppelstuk installeren

De warmtepompen hebben een afvoerkoppelstuk nodig. Alvorens de buitenunit vast te schroeven op zijn voetstuk, het afvoerkoppelstuk op de bodem van het apparaat installeren.

N.B.: er bestaan verschillende soorten afvoerkoppelstukken, afhankelijk van het type buitenunit.

Als het afvoerkoppelstuk geleverd is met een rubberen pakking (zie figuur 4.4 - A.), ga dan als volgt te werk:

1. De rubberen pakking op het uiteinde plaatsen van het afvoerkoppelstuk dat op de buitenunit wordt aangesloten.
2. Het afvoerkoppelstuk in het gat aan de onderkant van de plaat van de unit plaatsen.
3. Het afvoerkoppelstuk 90° draaien totdat dit op zijn plaats zit (u moet een klik horen), tegenover de voorkant van de unit.
4. Een verlengstuk (niet meegeleverd) aansluiten op het afvoerkoppelstuk om het water uit de unit af te voeren wanneer deze in de verwarmingsmodus staat.

Als het afvoerkoppelstuk niet geleverd is met een rubberen pakking (zie figuur 4.4 - B), ga dan als volgt te werk:

1. Het afvoerkoppelstuk in het gat aan de onderkant van de plaat van de unit plaatsen. Het afvoerkoppelstuk laat een klik horen wanneer het op zijn plaats zit.
2. Een verlengstuk (niet meegeleverd) aansluiten op het afvoerkoppelstuk om het water uit de unit af te voeren wanneer deze in de verwarmingsmodus staat.

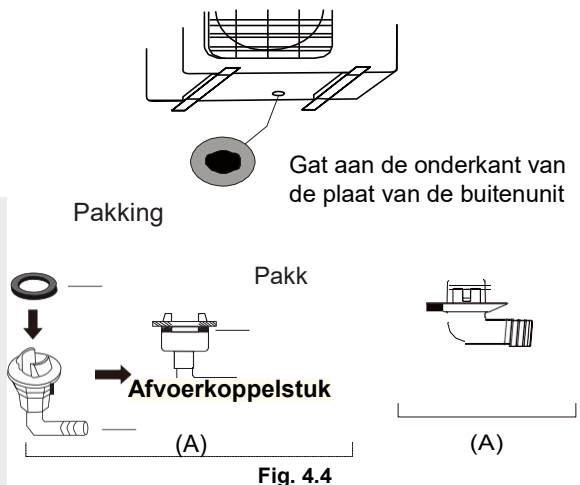


Fig. 4.4



Bij koud weer

Bij koud weer er voor zorgen dat de afvoerleiding zo verticaal mogelijk geplaatst is om een snelle afvoer van het water te garanderen. Als het water te langzaam wordt afgevoerd, kan dit in de leiding bevroren en de unit doen onderlopen.

Stap 3: De buitenunit bevestigen

De buitenunit kan op de grond of op een houder aan de muur bevestigd worden.

AFMETINGEN VOOR MONTAGE

Hieronder vindt u een lijst met de verschillende maten van de buitenunits en de afstand tussen

de montagevoetjes. De installatiehouder van het apparaat voorbereiden volgens de in de tabel aangegeven afmetingen.

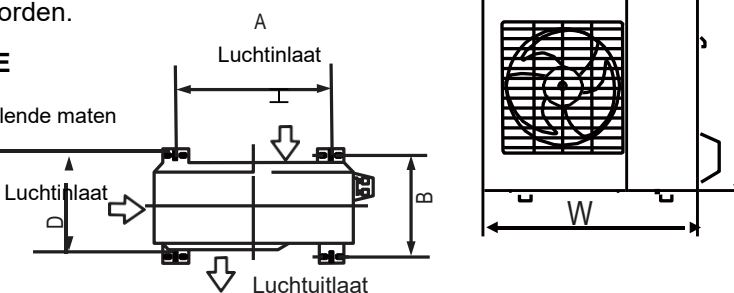


Fig. 4.5

	Afmetingen buitenunit (mm) Breedte x Hoogte x Diepte	Montageafmetingen	
		Afstand A (mm)	Afstand B (mm)
AW-YHDH009-H91	770 x 555 x 300	487	298
AW-YHDH012-H91			
AW-YHDH018-H91	800 x 554 x 333	514	340
AW-YHDH024-H91	845 x 700 x 340	540	350

Voor het installeren van het apparaat op de grond of op een betonnen montageplatform als volgt te werk gaan:

1. De plaats voor de vier expansiebouten aftekenen volgens de afmetingen aangegeven in de tabel Afmetingen voor montage.
2. De gaten voor de bouten boren.
3. Het betonstof uit de gaten verwijderen.
4. Aan het uiteinde van iedere expansiebout een moer plaatsen.
5. De expansiebouten in de gaten duwen.

6. De moeren van de expansiebouten verwijderen en de buitenunit op de bouten plaatsen.
7. Op iedere expansiebout een ringetje, en daarna een moer plaatsen.
8. Met een sleutel alle moeren aandraaien totdat deze volledig geborgd zijn.



Waarschuwing

HET WORDT AANBEVOLEN OM ALTIJD OOGBESCHERMERS TE DRAGEN WANNEER U IN BETON BOORT.

Voor het installeren van het apparaat op een muurhouder als volgt te werk gaan:

VOORZORGSMATREGEL

Alvorens een unit op een muur te installeren, controleren of de muur van volle baksteen, beton of een ander gelijkwaardig en even stevig materiaal is. De muur moet minstens vier keer het gewicht van het apparaat kunnen dragen.

1. De plaats voor de gaten van de houder aftekenen volgens de afmetingen aangegeven in de tabel **Afmetingen voor montage**.
2. De gaten voor de expansiebouten boren.
3. Het betonstof uit de gaten verwijderen.
4. Aan het uiteinde van iedere expansiebout een ringetje en een moer plaatsen.
5. De expansiebouten in de gaten van de montagesteun steken, de montagesteun plaatsen en met een hamer de expansiebouten in de muur slaan.
6. Verifiëren of de montagesteunen waterpas zijn.
7. De unit voorzichtig optillen en de montagevoetjes op de steunen plaatsen.
8. Het apparaat stevig vastschroeven op de steunen.

OM HET TRILLEN VAN HET APPARAAT AAN DE MUUR TE VERMINDEREN

Indien mogelijk de wandunit installeren met de rubberen pakkingen (silentbloc) om het geluid en de trillingen te verminderen.

Stap 4: De verbindingen- en voedingskabels aansluiten

De klemmenstrook van de buitenunit, aan de zijkant van het apparaat, wordt beschermd door een kap. Aan de binnenkant van de kap is een compleet schema van de bekabeling afgedrukt.



ALVORENS ELEKTRICITEITSWERKZAAMHEDEN UIT TE VOEREN, DEZE INSTRUCTIES LEZEN

1. Alle kabels moeten voldoen aan de plaatselijke en nationale elektriciteitsnormen en door een erkende elektricien geïnstalleerd worden.
2. Alle elektriciteitsverbindingen moeten uitgevoerd worden volgens het elektriciteitsverbindingsschema op de panelen van de binnen- en de buitenunit.
3. In geval van ernstige veiligheidsproblemen betreffende de stroomvoorziening moet het werk onmiddellijk worden stilgelegd. De reden uitleggen aan de klant en weigeren de unit te installeren, totdat het veiligheidsprobleem volledig is opgelost.
4. De voedingsspanning moet tussen 90 en 100% van de nominale spanning bedragen. Een onvoldoende stroomvoorziening kan tot een slechte werking, elektrische ontlading of brand leiden.
5. In geval van aansluiting van de stroomvoorziening op een vaste bekabeling moeten er een overspanningsbegrenzer en een hoofdstroomschakelaar geïnstalleerd worden met een vermogen van 5 maal de maximale stroom van de unit.
6. In geval van aansluiting van de stroomvoorziening op een vaste bekabeling, moet er een stroomverbreker of een werkschakelaar in de vaste bekabeling ingebouwd worden die alle kabels losmaakt en een contactscheider van minstens 3 mm heeft in de vaste bekabeling. De monteur moet een goedgekeurde werkschakelaar gebruiken.
7. Het apparaat uitsluitend aansluiten op een los stopcontact van het vertakte circuit. Geen andere apparatuur op dit stopcontact aansluiten.
8. Controleren of de airconditioner geaard is.
9. Iedere draad moet stevig aangesloten zijn. Losse kabels kunnen de klem oververhitten en tot storingen leiden en zelfs brand veroorzaken.
10. De draden **niet** in contact laten komen met de koudemiddelleidingen, de compressor of de bewegende onderdelen van de unit en deze hier niet op laten rusten.
11. Als de unit gebruik maakt van een extra elektrische verwarming, moet deze op minstens een meter van brandbare materialen geïnstalleerd worden.



WAARSCHUWING

ALVORENS WERKZAAMHEDEN UIT TE VOEREN AAN DE ELEKTRICITEIT OF DE BEKABELING, EERST DE

1. De kabel voorbereiden op het aansluiten:

DE JUISTE KABEL GEBRUIKEN

- Interne voedingskabel (in het voorkomende geval): H05VV-F of H05V2V2-F
- Externe voedingskabel: H07RN-F
- Verbindingskabel: H07RN-F

Minimum diameter van de voedings- en verbindingkabels

Zone Noord-Amerika

Stroomsterkte van het apparaat in amp (A)	Norm American Wire Gauge (AWG)
10	18
13	16
18	14
25	12
30	10

Andere zones

Nominale stroom van het apparaat (A)	Nominale kabeldoorsnede (mm ²)
>3 en ≤6	0.75
>6 en ≤10	1
>10 en ≤16	1.5
>16 en ≤20	2.5
>20 en ≤32	4
>32 en ≤40	6

- Een striptang gebruiken en de huls strippen aan beide uiteinden van de verbindingkabel om ca. 15 cm van de interne draden zichtbaar te maken.
- De uiteinden van de draden strippen.
- Een tang gebruiken en de kabelschoenen in een U vastklemmen op de uiteinden van de draden.

LET OP DE DRAAD, HIER STAAT SPANNING OP

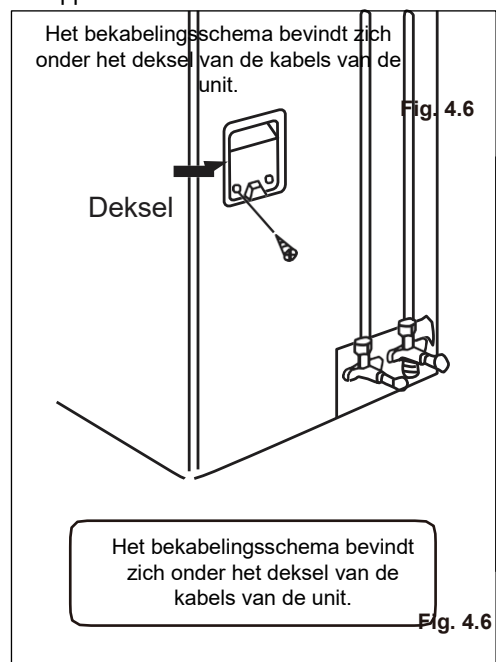
Tijdens het vastklemmen van de draden controleren of de fasedraad ("L") goed te onderscheiden is van de andere draden.



WAARSCHUWING

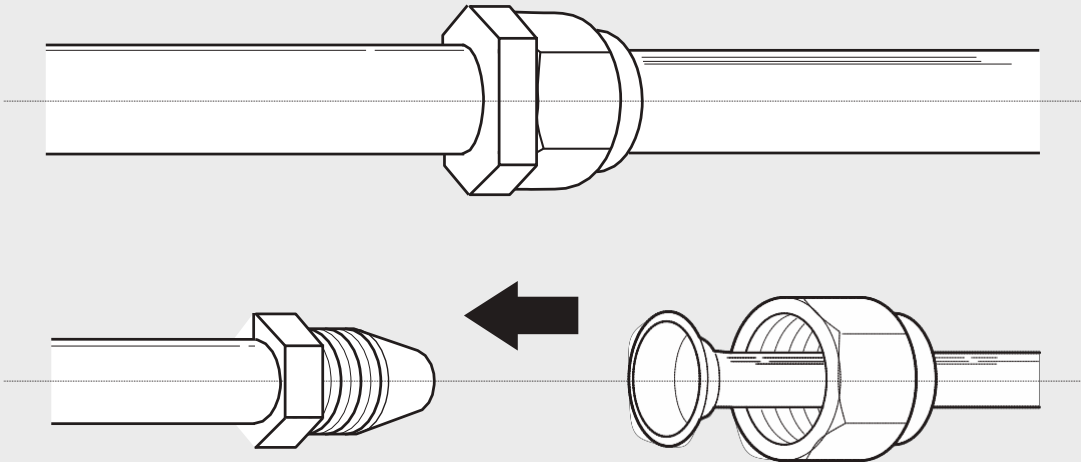
DE HELE BEKABELING MOET UITGEVOERD WORDEN VOLGENS HET BEKABELINGSSCHEMA DAT ZICH IN HET DEKSEL VAN DE BUITENUNIT BEVINDT.

- Het deksel van de bekabeling losschroeven en verwijderen.
- De klemring onder de klemmenstrook losschroeven en wegleggen.
- De kleuren van de draden overeen laten komen met de etiketten op de klemmenstrook en de kabelschoenen in U-vorm aansluiten. Iedere draad stevig vastschroeven op de bijbehorende klem.
- Na gecontroleerd te hebben of alle verbindingen beveiligd zijn, de draden omwikkelen om te voorkomen dat er regenwater in de klemmenstrook komt.
- Met de kabelklem de kabel aan de unit bevestigen. De kabelklemmen stevig aan de onderkant vastschroeven.
- De niet-gebruikte kabels isoleren met elektriciteitstape van PVC. Deze zodanig plaatsen, dat zij de elektrische of metalen onderdelen niet aanraken.
- Het metalen deksel terugplaatsen op de zijkant van het apparaat en dit vastschroeven.



Aansluiting van de koudemiddelleidingen

6



Opmerking over de lengte van de leiding

De lengte van de koudemiddelleidingen is van invloed op de prestaties en de energie-efficiëntie van het apparaat. Het nominale rendement is getest op de units met een leidinglengte van 5 meter.

Onderstaande tabel raadplegen voor de specificaties betreffende de max. lengte en hoogte van de leidingen.

Max. lengte en hoogte van de koudemiddelleidingen per type model

Model	Koelvermogen (BTU/h) (kWh)	Max. lengte (m)	Max. hoogte (m)
R32 Monosplit	<15,000	25	10
	≥ 15,000 (≥ 4,39) en <24,000	30	20
	≥ 24,000 (≥ 7) en <36,000	50	25
	≥ 36,000 (≥ 10,54) en ≤60,000	65	30

Instructies voor de verbinding - Koudemiddelleidingen

Stap 1: De leidingen op maat snijden

Tijdens het voorbereiden van de koudemiddelleidingen alle voorzorgsmaatregelen nemen om deze op de juiste wijze op maat te snijden en te verwijderen. Dit garandeert u van een efficiënte werking en vermindert de behoefte aan later onderhoud.

1. De afstand meten tussen de binnen- en buitenunit.

2. Een pijpensnijder gebruiken en de leiding iets langer laten dan de gemeten afstand.
3. Controleren of de leiding op een perfecte hoek van 90° is doorsneden. Zie de figuur. 5.1 voor de voorbeelden van verkeerd doorsnijden

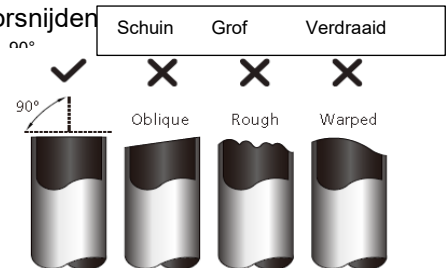


Fig. 5.1

! DE LEIDING NIET VERVORMEN TIJDENS HET

Zeer voorzichtig zijn om de leiding tijdens het doorsnijden niet te beschadigen, in te deuken of te vervormen. Hierdoor zou de unit aanzienlijk minder efficiënt kunnen

Stap 2: Afbramen

Bramen kunnen van invloed zijn op de afdichting van de verbinding van de koudemiddelleidingen. Alle bramen moeten volledig verwijderd worden.

1. De leiding naar beneden houden om te voorkomen dat hier bramen in terecht komen.
2. Een boor of afbramer gebruiken, alle bramen uit de doorsnede van de leiding verwijderen.

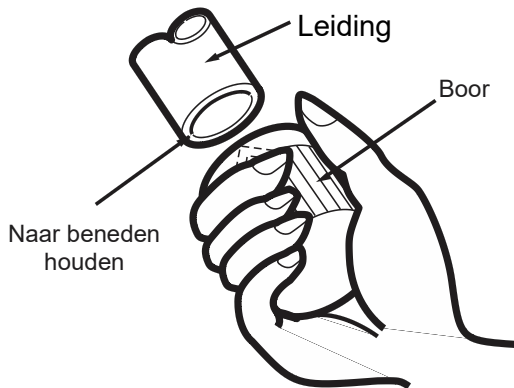


Fig. 5.2

Stap 3: De uiteinden van de leidingen verwijderen

Een goede verwijding is van essentieel belang voor een goede afdichting.

1. Na de leiding afgebraamd te hebben, moeten de uiteinden afgeplakt worden met PVC tape om te voorkomen dat er vreemde deeltjes in de leiding komen.
2. De leiding bekleden met isolatiemateriaal.
3. De flensmoeren plaatsen op de twee uiteinden van de leiding. Controleren of deze in de goede richting geplaatst zijn, want na het verwijderen kunnen zij niet meer verplaatst worden. Zie Fig. 5.3.

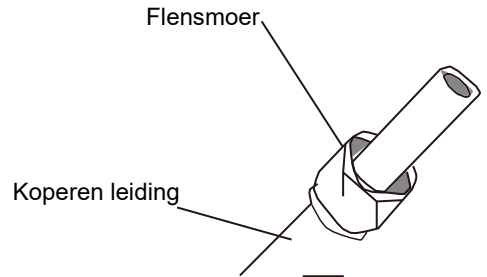


Fig. 5.3

4. De PVC tape van de uiteinden verwijderen alvorens te verwijderen.
5. De matrix van het flare-apparaat op het uiteinde van de leiding bevestigen. Het uiteinde van de leiding moet buiten de rand van de matrix steken, volgens de afmetingen in onderstaande tabel.

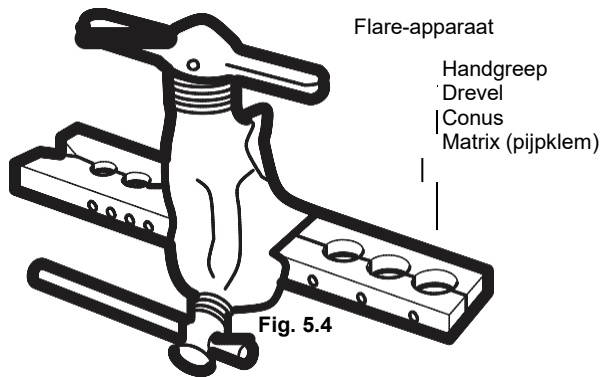


Fig. 5.4

VERLENGING VAN DE LEIDING BUITEN DE MATRIX

Buitendiameter van de leiding (mm)	A (mm)	
	Min.	Max.
Ø 6,35	0,7	1,3
Ø 9,52	1,0	1,6
Ø 12,7	1,0	1,8
Ø 16	2,0	2,2

Matrix van het flare-apparaat

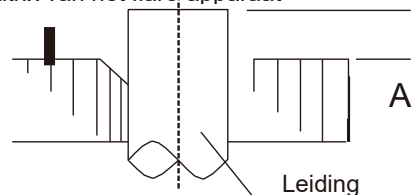


Fig. 5.5

6. Het flare-apparaat plaatsen.
7. De handgreep van het gereedschap met de klok meedraaien totdat de leiding volledig verwijd is.
8. Het gereedschap volledig uittrekken om het uiteinde van de buis te inspecteren, om eventuele scheurtjes te detecteren en de verwijding te verifiëren.

Stap 4: De slangen aansluiten

Tijdens het aansluiten van de koudemiddelleidingen er goed voor zorgen dat er geen excessief koppel gebruikt wordt en de leidingen niet vervormd worden. Eerst de lagedrukleiding en pas daarna de hogedrukleiding aansluiten.

MINIMALE BUIGINGSSTRAAL

Wanneer de koudemiddelleidingen gebogen zijn, moeten deze een buigingsstraal van minimaal 10 cm hebben. Zie Fig 5.6.

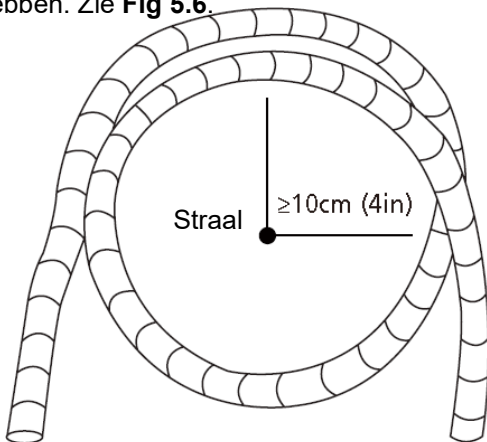


Fig. 5.6

F

Instructies voor het aansluiten van de leidingen op de binnenunit

1. Van de twee aan te sluiten leidingen moet het midden op dezelfde lijn staan. Zie Fig. 5.7.

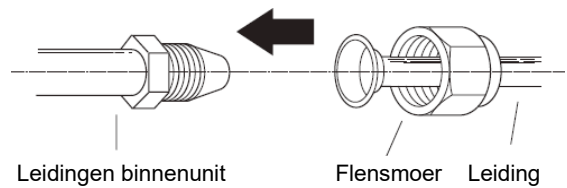


Fig. 5.7

2. De flensmoer zo stevig mogelijk met de hand vastdraaien.
3. Met een sleutel de moer op de buis van de binnenunit vastdraaien.
4. De moer op de buis van de binnenunit stevig vasthouden en tegelijkertijd met een momentsleutel de flensmoer vastdraaien volgens de aanhaalwaarden van onderstaande tabel. De flensmoer enigszins losdraaien en vervolgens weer vastdraaien.

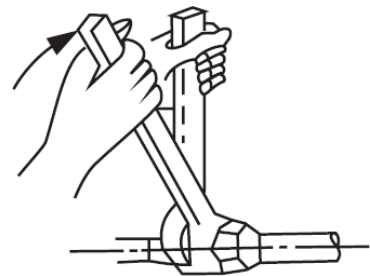


Fig. 5.8

AANBEVOLEN AANHAALWAARDEN

Buitendiameter van de buis (mm)	Aanhaalmoment (N•cm)	Extra aanhaalmoment (N•m)
Ø6.35	1 500	1 600
Ø9.52	2 500	2 600
Ø12.7	3 500	3 600
Ø16	4 500	4 700

! GEEN EXCESSIEF AANHAALMOMENT

Door te veel kracht kan de moer breken of de koudemiddelleiding beschadigen. De aanbevolen aanhaalmomenten uit bovenstaande tabel niet overschrijden.

Instructies voor het aansluiten van de leidingen op de buitenunit

1. De kap van de afsluiter op de zijkant van de buitenunit losschroeven. (Zie **Fig. 5.9**)

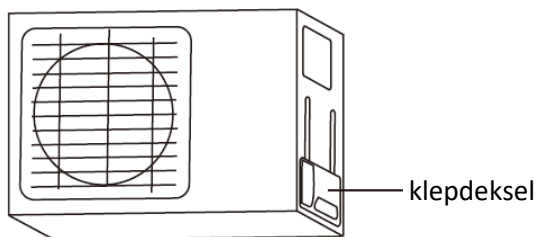


Fig. 5.9

2. De beschermdoppen van de klepaansluitingen halen.
3. De verwijde leiding uitlijnen met alle afsluiters en de flensmoer zo stevig mogelijk met de hand vastdraaien.
4. Een sleutel gebruiken om het klephuis vast te nemen.
Niet de flensmoer vastnemen die de bedieningsklep vastzet. (Zie **Fig. 5.10**)

! Een sleutel gebruiken om het klephuis vast te nemen

Torsie op het moment van het vastdraaien van de flensmoer kan tot breuk van de andere onderdelen van de afsluiter leiden.

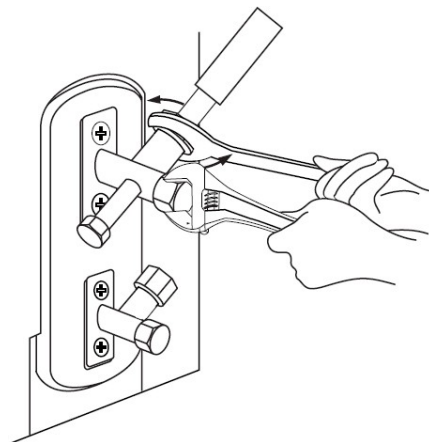
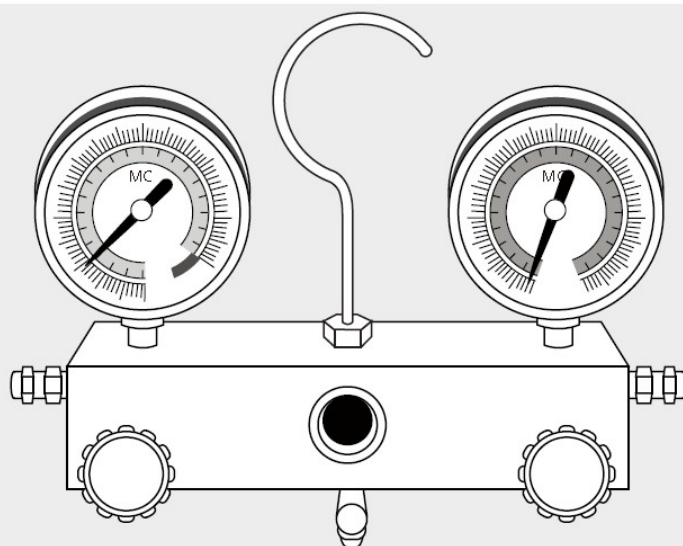


Fig. 5.10

5. Het klephuis stevig vastnemen en met een momentsleutel de flensmoer vastdraaien volgens de aangegeven aanhaalwaarden.
6. De flensmoer losdraaien en vervolgens weer vastdraaien.
7. Stap 3 t/m 6 herhalen voor het leidingkoppelstuk.

buitenunit	koelen/GWP	belasting (5m) (Kg)
AW-YHDH009-H91	R32/675	0,7
AW-YHDH012-H91	R32/675	0,8
AW-YHDH018-H91	R32/675	1,25
AW-YHDH024-H91	R32/675	1,6



Vorbereiding en Voorzorgsmaatregelen

Lucht en vreemde deeltjes in het koelcircuit kunnen tot een abnormale verhoging van de druk leiden, die de airconditioner kan beschadigen, de doelmatigheid hiervan kan verminderen en letsel kan veroorzaken. Een vacuümpomp en de manometer gebruiken om de koudemiddelleiding af te tappen en zo alle niet-condenseerbare gassen en al het vocht te verwijderen. Het aftappen vindt plaats op de originele installatie zodra het apparaat van plaats veranderd is.

- Verifiëren of de hoge en lage druk in de leidingen tussen de binnen- en de buitenunit goed zijn aangesloten zoals aangegeven in deze handleiding in de betreffende paragraaf.
- Verifiëren of alle elektrische installaties goed zijn uitgevoerd.

Aftapinstructies

Alvorens de meter van de hogedrukleiding en de vacuümpomp te gebruiken, eerst hun gebruikshandleidingen lezen om bekend te raken met de juiste manier om deze te gebruiken.

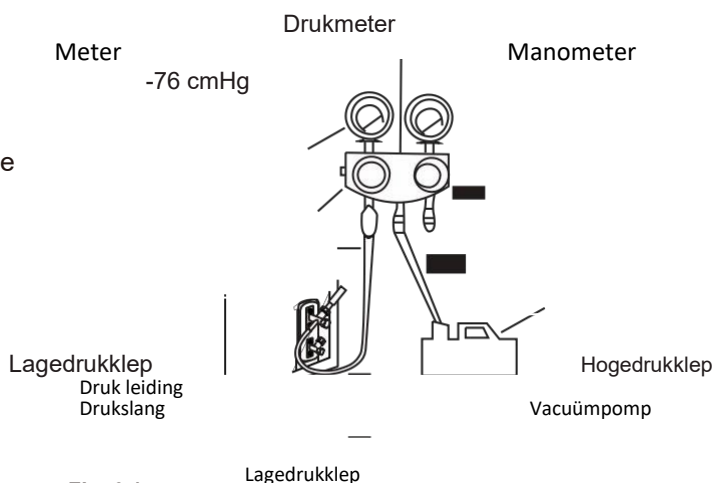
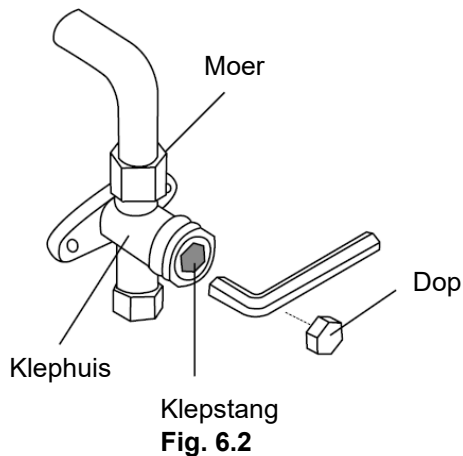


Fig. 6.1

1. De drukslang van de manometer aansluiten op de meter van de uitlaatpoort van de lagedrukklep van de buitenunit.
2. Een andere drukslang van de manometer aansluiten op de vacuümpomp.

3. De lagedrukmeter openen. De hogedrukszijde gesloten houden.
4. De vacuümpomp openen om het systeem af te tappen.
5. De vacuümpomp minstens 15 minuten laten werken of totdat de teller -76cmHg (-10 5 Pa) aangeeft.
6. De meter van de lagedrukszijde sluiten en de vacuüm uitschakelen.
7. 5 minuten wachten en daarna verifiëren of de druk in het systeem niet veranderd is.
8. Als de druk in het systeem veranderd is, de paragraaf **Controle op lekken van stroom en gas** raadplegen voor meer informatie. Als de druk in het systeem niet veranderd is, de dop van de afsluiter (hogedrukklep) losdraaien.



9. De inbussleutel in de afsluiter (hogedrukklep) steken en de klep openen door de sleutel een kwartslag naar links te draaien, tegen de klok in. Luisteren of er gas uit het systeem ontsnapt en de afsluiter na 5 seconden sluiten.
10. De manometer gedurende een minuut in de gaten houden om zeker te zijn dat de druk niet verandert. De drukwaarde op de manometer moet iets hoger zijn dan de luchtdruk.

11. De drukslang van de uitlaatpoort verwijderen.
12. De hoge- en lagedrukkleppen volledig openen met behulp van de inbussleutel.
13. De deksels van de drie kleppen (uitlaatpoort, hoge druk, lage druk) met de hand vastdraaien. U kunt, indien nodig, een momentsleutel gebruiken.

DE KLEPSTANGEN VOORZICHTIG OPENEN

Tijdens het openen van de klepstangen de inbussleutel draaien tot aan de dop. De klep niet forceren door te proberen deze verder te openen.

OPMERKING OVER HET TOEVOEGEN VAN KOUEMIDDEL

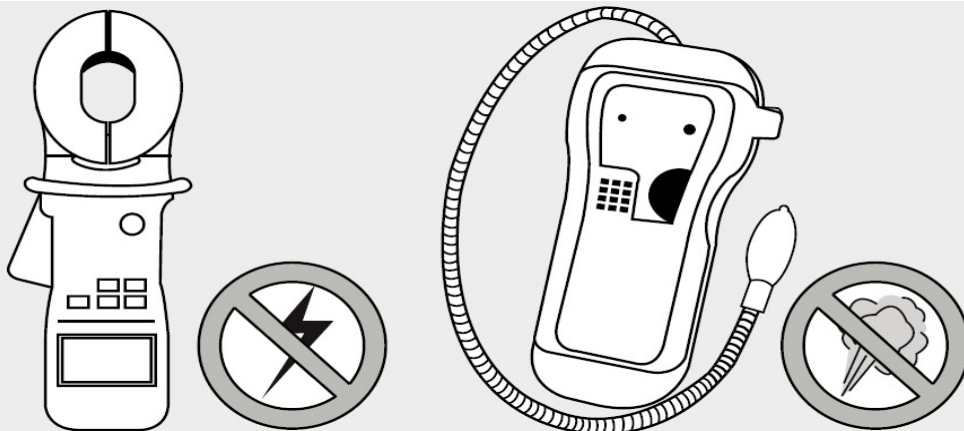
Sommige systemen hebben extra druk nodig, afhankelijk van de lengte van de leidingen. De norm voor de lengte van de leiding varieert aan de hand van de plaatselijke regelgeving. Zo is in Noord-Amerika de standaard leidinglengte 7,5 m. In andere zones is de standaard leidinglengte 5 m. Het extra benodigde koudemiddel kan berekend worden met de volgende formule:

EXTRA KOUEMIDDEL AAN DE HAND VAN DE LEIDINGLENGTE

Lengte van de verbindingleiding	Ontluchtingsmethode	Extra koudemiddel	
<Standaard lengte van de leiding	Vacuümpomp	N/A	
>Standaard lengte van de leiding	Vacuümpomp	Vloeistofzijde: Ø 6.35 (ø 0.25") R32: (Lengte Leiding – Standaard lengte) x 12g/m (Lengte Leiding – Standaard lengte) x 0.13oz/ft Inverter R410A: (Lengte Leiding – Standaard lengte) x 15g/m (Lengte Leiding – Standaard lengte) x 0.16oz/ft	Vloeistofzijde: Ø 9.52 (ø 0.375") R32 (Lengte Leiding – Standaard lengte) x 24g/m (Lengte Leiding – Standaard lengte) x 0.26oz/ft Inverter R410A: (Lengte Leiding – Standaard lengte) x 30g/m (Lengte Leiding – Standaard lengte) x 0.32oz/ft

! VOORZICHTIG

Verschillende koudemiddelen **NIET** met elkaar mengen.



Controle van elektrische veiligheid

Na het installeren verifiëren of alle elektriciteitskabels geïnstalleerd zijn volgens de plaatselijke en nationale reglementen en volgens de installatiehandleiding.

VOOR DE TEST

Aarden

Aardingsweerstand meten door visuele detectie en met een aardingsweerstandtester. De aardingsweerstand moet minder dan 4 zijn.

OPMERKING: In sommige delen van de Verenigde Staten geldt deze eis niet.

TJIDENS DE TEST

Controle op lekken van stroom

Tijdens de test een elektrosonde en een multimeter gebruiken om een complete stroomlekttest uit te voeren.

Als er een stroomlek gedetecteerd wordt, onmiddellijk de unit uitschakelen en onmiddellijk contact opnemen met een erkende elektricien om de oorzaak van het lek op te lossen.

OPMERKING: In sommige delen van de Verenigde Staten geldt deze eis niet.



LET OP RISICO OP ELEKTROCIJTIE

ALLE KABELS MOETEN VOLDOEN AAN DE PLAATSELIJKE EN NATIONALE ELEKTRICITEITSNORMEN EN DOOR EEN ERKENDE ELEKTRICIEN GEÏNSTALLEERD WORDEN.

Controle op lekken van gas

Er bestaan twee methodes om gaslekken te verifiëren.

De zeepwatermethode

Een zachte borstel gebruiken, een reinigingsmiddel met water of vloeibare zeep aanbrengen op alle aansluitkoppelpunten van de leidingen van de binnen- en buitenunit. Luchtbelletjes wijzen op een lek.

De lekdetectiemethode

Als u de methode van de lekdetector wilt gebruiken, raadpleeg dan de gebruikshandleiding van de voorziening voor de juiste gebruiksinstructies.

NA DE CONTROLE OP GASLEKKEN

Na geverifieerd te hebben of er geen lekken zijn op de aansluitkoppelpunten van de leidingen, moet het klepdeksel teruggeplaatst worden in de buitenunit.

Werkingstest

De test uitvoeren na de volgende stappen gevolgd te hebben:

- **Controle elektrische veiligheid** – Controleren of het elektriciteitssysteem van de unit veilig is en goed werkt.
- **Controle op gaslekken** – Alle aansluitingen van de flensmoeren controleren en nagaan of het systeem nergens een lek heeft.
 - Controleren of alle gas- en vloeistofkleppen (hoge en lage druk) volledig geopend zijn.

Instructies voor de test

De werkingstest moet minstens 30 minuten duren.

1. Apparaat inschakelen.
2. Op de knop **ON/OFF** van de afstandsbediening drukken om het apparaat in te schakelen.
3. Op de knop **MODE** drukken om een voor een door de volgende opties te bladeren:
 - **COOL (KOELEN)** – De laagst mogelijke temperatuur selecteren.
 - **HEAT (VERWARMEN)** – De hoogst mogelijke temperatuur selecteren.
4. Alle functies 5 minuten laten functioneren en overgaan tot de volgende verificaties.

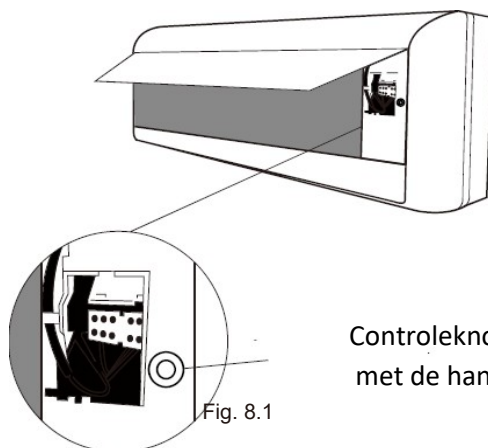
Lijst met uit te voeren controles	GOED/VERKEERD	
Geen elektriciteitsverlies		
Het systeem is correct geaard Alle elektrische terminals		
Alle elektrische terminals zijn goed beschermd		
De binnen- en buitenunit zijn stevig geïnstalleerd	Buiten	Binnen (2)
Geen lekkage op de aansluitkoppelpunten van de leidingen.		
Het water stroomt goed door de afvoerleiding		
Alle leidingen zijn goed geïsoleerd		
Unit in modus KOELEN werkt goed		
Unit in modus VERWARMEN werkt goed		
Lamel binneneenheid roteert goed		
De binneneenheid reageert op de afstandsbediening		

LEIDINGAANSLUITINGEN DUBBELCHECKEN

Tijdens de operatie zal de druk van het koudemiddelcircuit stijgen. Dit kan op lekken wijzen die niet aanwezig waren tijdens de eerste controle.

De tijd nemen om de test nogmaals uit te voeren. Niet aarzelen om de aansluitkoppelpunten twee keer te testen om zeker te zijn dat er geen lekken zijn. De instructies raadplegen van de paragraaf "Controle op gaslekken".

5. Wanneer u de test met succes heeft voltooid en alle controlepunten een goed resultaat hebben, kunt u doorgaan:
 - a. De afstandsbediening gebruiken om de unit naar de normale bedrijfstemperatuur terug te brengen.
 - b. Isolatieband gebruiken om de aansluitkoppelpunten van de binnenunit te omwikkelen die u niet omwikkeld heeft tijdens de installatie van de binnenunit.



Controleknop
met de hand

ALS DE KAMERTEMPERATUUR LAGER IS DAN 17°C

U kunt de afstandsbediening niet gebruiken voor het inschakelen van de functie COOL (KOELEN) wanneer de kamertemperatuur tot onder de 17°C daalt. In dat geval kunt u gebruik maken van de knop HANDMATIGE CONTROLE om de functie COOL (KOELEN) te testen.

1. De knop HANDMATIGE CONTROLE bevindt zich rechts op het paneel van de unit. Fig. 8.1.
2. Eenmaal op de knop HANDMATIGE CONTROLE drukken om de modus AUTO VERPLICHT.
3. Nogmaals op de knop HANDMATIGE CONTROLE drukken om de modus VERPLICHT KOELEN te activeren.
4. De werkingstest normaal uitvoeren.

AFVALVERWERKING: Altijd de voorschriften van de Algemene Richtlijnen van de Europese Commissie volgen.

Dit apparaat bevat een koudemiddel en andere stoffen die gevaarlijk kunnen zijn. Dit afval moet apart ingezameld en verwerkt worden. **Het is verboden** dit apparaat weg te werpen met huishoudelijk afval.

Voor de afvalverwerking heeft u meerdere mogelijkheden:

- De gemeente heeft inzamelingsystemen opgezet waar elektronisch afval zonder kosten voor de gebruiker verwerkt kan worden.
- Bij de aankoop van een nieuw apparaat zal de winkelier het oude apparaat gratis aannemen.
- De fabrikant zal het oude apparaat gratis terugnemen.
- Erkende schroothandelaren kunnen eveneens uw apparaat aannemen.

Bijzondere kennisgeving

Sluikstorten van afval in bossen en natuurgebieden brengt gevaar mee voor de natuur en uw gezondheid, indien gevaarlijke stoffen in het grondwater, en vervolgens in de voedingketen terecht komen.



! WARNING

BEFORE PERFORMING ANY ELECTRICAL OR WIRING WORK, TURN OFF THE MAIN POWER TO

1. Prepare the cable for connection:
 - Indoor Power Cable (if applicable): H05VV-F or H05V2V2-F
 - Outdoor Power Cable: H07RN-F
 - Signal Cable: H07RN-F

Minimum Cross-Sectional Area of Power and Signal Cables

North America

Appliance Amps (A)	AWG
10	18
13	16
18	14
25	12
30	10

Other Regions

Rated Current of Appliance (A)	Nominal Cross-Sectional Area (mm ²)
>3 and ≤6	0.75
>6 and ≤10	1
>10 and ≤16	1.5
>16 and ≤25	2.5
>25 and ≤32	4
>32 and ≤40	6

jacket from both ends of cable to reveal about 15cm (6in) of the wires inside.

- b. Strip the insulation from the ends of the wires.
- c. Using a wire crimper, crimp u-lugs on the ends of the wires.

PAY ATTENTION TO LIVE WIRE

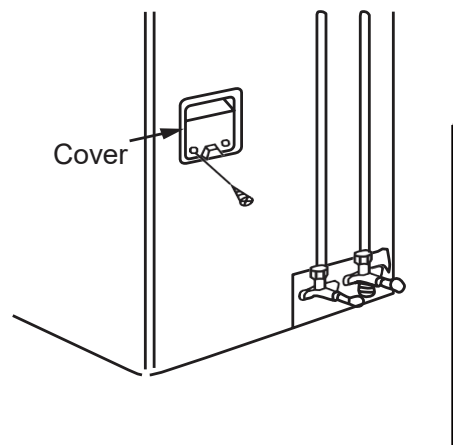
While crimping wires, make sure you clearly distinguish the Live (“L”) Wire from other

! WARNING

ALL WIRING MUST PERFORMED STRICTLY IN ACCORDANCE WITH THE WIRING DIRGRAM LOCATED INSIDE THE OUTDOOR UNIT S’ WIRE

Unscrew the electrical wiring cover and remove it.

2. Unscrew the cable clamp below the terminal block and place it to the side.
3. Match the wire colours/labels with the labels on the terminal block, and firmly screw the u-lug of each wire to its corresponding terminal.
4. After checking to make sure every connection is secure, loop the wires around to prevent rain water from flowing into the terminal.
5. Using the cable clamp, fasten the cable to the unit. Screw the cable clamp down tightly.
6. Insulate unused wires with PVC electrical tape. Arrange them so that they do not touch any electrical or metal parts.
7. Replace the wire cover on the side of the unit, and screw it in place.



Outdoor Unit Wiring Diagram is located on the inside of the wire cover on the outdoor unit

Fig. 4.6



WARNING :

The design and specifications are subject to change without prior notice for product improvement. Consult with the sales agency or manufacturer for details.

ATTENTION :

Le design et les données techniques sont donnés à titre indicatif et peuvent être modifiés sans préavis.



AIRWELL RESIDENTIAL SAS

10, rue du fort de Saint Cyr
78180 Montigny le Bretonneux - France
www.airwell.com