

DLSE+vav DUCTED MEDIUM STATIC PRESSURE MONOSPLIT

Airwell
Just feel well



All sizes except DLSE 043



- Comfort "I Feel": temperature sensor in RC08W remote control.
- Energy savings via variation of the airflow of the outdoor unit.
- A set temperature in each room with a single monosplit system.
- Guaranteed energy saving through weekly programming.
- Anti-corrosive treatment that increases the life of the unit.

+ PRODUCTS

- Variable Air Volume Solution.
- Water pump included.
- Quiet mode.



RCW2 included



C85-R (included with damper)



RC08W (optional)

FEATURES

TECHNOLOGY:



DC INVERTER



R410A FLUID



ELECTRONIC EXPANSION VALVE

USER FUNCTIONS:



I FEEL



NIGHT MODE



QUIET MODE



PROGRAMMABLE TIMER



AUTO RESTART (MEMORY)



REMOTE CONTROL LOCK

INSTALLER FUNCTIONS:



SELF DIAGNOSTIC



ALARM OUTPUT



BMS COMPATIBLE



SERVICE MONITOR TOOL



POWER CONSUMPTION CONTROL



OUTDOOR UNIT NIGHT MODE DRY CONTACT (DLSE 24-30-36)



OUTDOOR UNIT STAND-BY (DLSE 24-30-36)



OUTDOOR UNIT ALARM OUTPUT (DLSE 24-30-36)



DRY CONTACT ON/OFF



TECHNICIAN TEST MODE



GLOBAL AND INVISIBLE SOLUTION FOR YOUR HOME

Indoor unit

Outdoor unit

Zone control: Ideal temperature in each room

**THE SOLUTION DLSE + VAV ALLOWS
UP TO 30% SAVINGS (installation and equipment)
IN RELATION TO STANDARD SYSTEMS**

- Invisible solution to heat and refresh the whole house.
- Super quiet running.
- Inexpensive installation (less tubing work...).
- Low-cost system (only one indoor unit).



ZONE CONTROL FUNCTION

- Smart air conditioning: Controls up to 6 rooms.
- Each zone has a standalone remote control, to control temperature, "I Feel" and ON/OFF.
- Option to define automatic damper movement or manually to keep max. opening position.
- By-pass damper operates according to system load, which ensures air circulation in the indoor unit.
- Auto-mode: automatically recognizes cooling or heating mode.
- Motorized damper with DC step motor for accurate damper position.
- The blowing dampers change their position (open/close), in accordance with the temperature setpoint in each room, which keeps required temperature.

EASY INSTALLATION

- Simple wiring connection by connectors and set up.
- Up to 70m between indoor and outdoor units.
- Monosplit indoor unit: time saving (little tubing).
- Option for installing the control box besides the unit.
- Water pump and overflow switch built in.

Good to know!

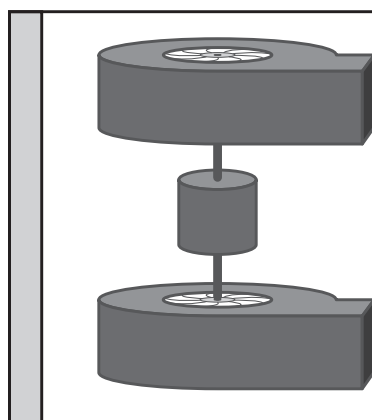
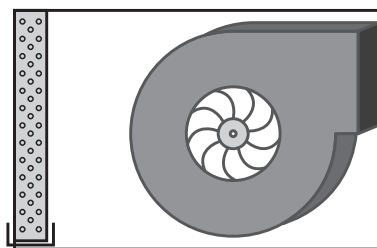
Use our design document to select easily your system.

Ask us this helpful file: mkg@airwell-res.com

SPECIAL DESIGN FOR YOUR CONVENIENCE

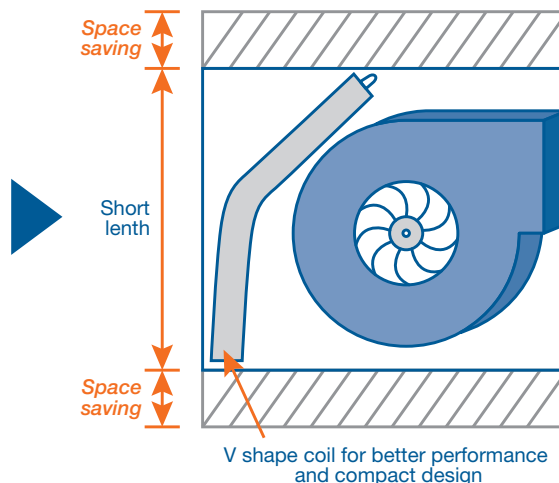
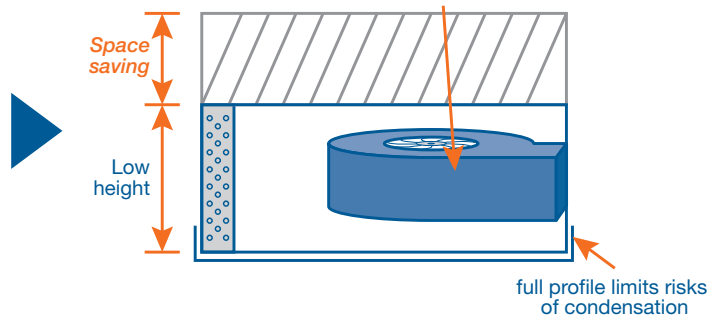
- Unique V shape coil.
- Extra slim indoor unit (low height: 256 mm only).

STANDARD DESIGN



DLSE

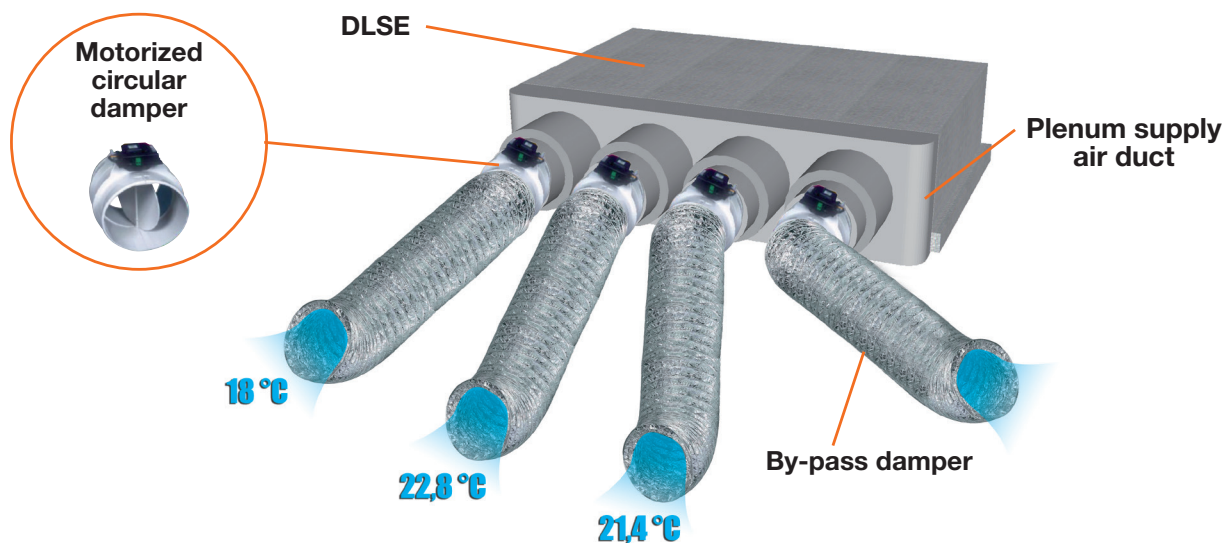
Horizontal fan, higher air volume + high static pressure



How to order?

- The main controller is identical except the set up which is done during the installation.
- After that, select motorized round damper, by-pass damper and plenum (see table below).

ROUND APPLICATION



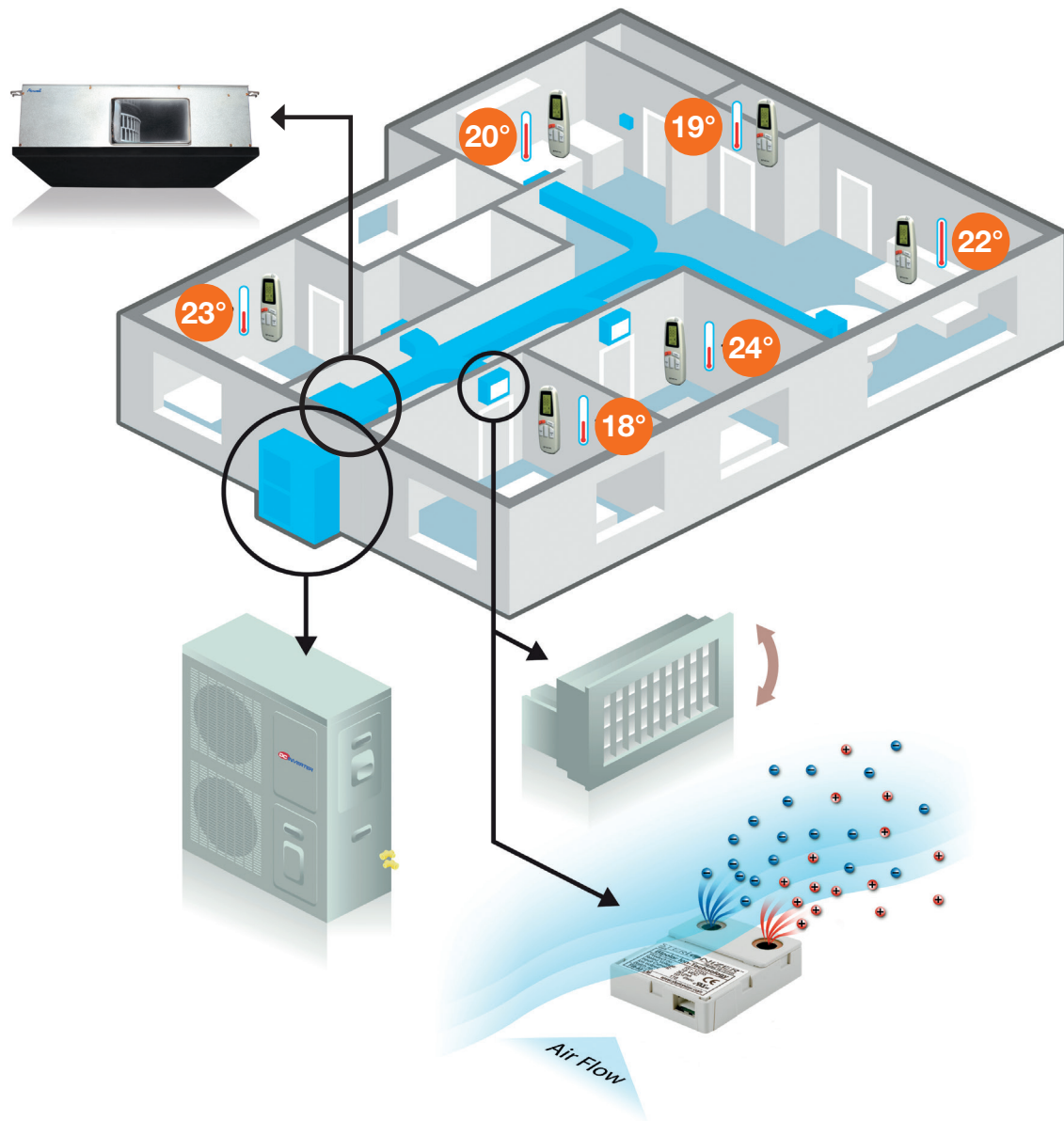
MOTORIZED ROUND TYPE ACCESSORIES

Part description	Part number
DLSE kit (mandatory)	7ACEL1745
Main controller VAV kit (mandatory)	7ACEL1641
Motorized round damper (D=155 mm) kit (Wireless controller C85-R included)	7ACEL1657
Motorized round damper (D=200 mm) kit (Wireless controller C85-R included)	7ACEL1649
Motorized round damper (D=250 mm) kit (Wireless controller C85-R included)	7ACEL1650
Motorized by-pass round damper (D=200 mm) kit	7ACEL1651
Motorized by-pass round damper (D=250 mm) kit	7ACEL1652

PLENUM ACCESSORIES: ROUND APPLICATION

Part description	Models	Part number
4 outlets in 200 mm + 1 bypass 200 mm (1 obturator 200 mm included)	DLSE 18/24/30	7ACVF0130
4 outlets in 200 mm + 2 outlets in 160 mm + 1 bypass in 200 mm (1 obturator 200 mm included)	DLSE 18/24/30	7ACVF0131
3 outlets in 200 mm + 1 bypass in 200 mm (intake) (2 obturators 200 mm included)	DLSE 18/24/30	7ACVF0132
4 outlets in 200 mm + 1 bypass in 200 mm (1 obturator 200 mm included)	DLSE 36/43	7ACVF0133
4 outlets in 200 mm + 2 outlets in 160 mm + 1 bypass 200 mm (1 obturator 200 mm included)	DLSE 36/43	7ACVF0134
3 sorties in 250 mm+1 bypass in 200 mm (intake) (2 obturators in 250 mm included)	DLSE 36/43	7ACVF0135

RECTANGULAR APPLICATION




MOTORIZED RECTANGULAR TYPE ACCESSORIES

Part description	Part number
DLSE kit (mandatory)	7ACEL1745
Main controller VAV kit	7ACEL1641
Motorized grill (30 cm x 15 cm) kit (Wireless controller C85-R included)	7ACEL1642
Motorized grill (40 cm x 15 cm) kit (Wireless controller C85-R included)	7ACEL1643
Motorized grill (50 cm x 15 cm) kit (Wireless controller C85-R included)	7ACEL1644
Motorized by-pass damper (40 cm x 15 cm) kit	7ACEL1645
Motorized by-pass damper (50 cm x 15 cm) kit	7ACEL1646
Duct frame profile for grille 150 mm	7ACVF0551
Duct frame profile for grille 300 mm	7ACVF0552
Duct frame profile for grille 400 mm	7ACVF0553
Duct frame profile for grille 500 mm	7ACVF0554
Sterionizer kit for motorized grill	7ACEL1655

DLSE TECHNICAL DATA

Indoor units		AWSI-DLSE018-N11	AWSI-DLSE024-N11	AWSI-DLSE030-N11	AWSI-DLSE036-N11		AWSI-DLSE043-N11	
Outdoor units		AWAU-YBDE018-H11	AWAU-YBDE024-H11	AWAU-YBDE030-H11	AWAU-YBD036-H11	AWAU-YBD036-H13	AWAU-YBD042-H11	AWAU-YAD042-H13
Phase		Single phase	Single phase	Single phase	Single phase	Three phases	Single phase	Three phases
COOLING								
Rated power (min./max.)	kW	5.0 (2.3-5.9)	6.8 (1.7-7.4)	7.5 (2.8-8.4)	9.5 (4.8-12.5)	9.5 (4.8-12.5)	12.5 (4.5-14.5)	12.5 (4.5-14.5)
Pdesignc	kW	5.0	6.8	7.5	9.5	9.5	-	-
Rated power input	kW	1.22	1.93	2.02	3.47	3.04	3.73	3.56
SEER/Energy label		5.8/A+	5.4/A	6.2 / A++	6.2 / A++	4.7/B	3.35/A	3.51/A
Operating limits	°C	-10°/46° Dry bulb						
HEATING								
Rated power (min./max.)	kW	5.6 (1.9-7.5)	7.6 (1.8-8.5)	8.6 (2.8-9.4)	10.5	11.6 (4.9-12.5)	14.0 (4.5-16.0)	14.0 (4.5-16.0)
Pdesignh		5.5	7.5	8.6	9.5	10.5	-	-
Rated power input	kW	1.35	1.88	2.26	2.46	3.00	4.1	3.99
SCOP/Energy label (average climate)		3.9/A	3.8/A	4.0 / A+	4.0 / A+	3.9/A	3.41/A	3.51/A
SCOP/Energy label (warmer climate)		4.6/A++	4.9/A++	5.2/A+++	4.8/A++	4.7/A++	-	-
Operating limits	°C	-15°/24° Dry bulb						
Power @ -10°C	kW	5.3	5.8	7.1	6.9	8.9	9.3	9.3
Power @ -15°C	kW	4.7	5.2	6.3	6.2	8.0	8.3	8.3
INDOOR UNIT								
Sound pressure level to 1 m (LS/MS/HS/SS)	dB(A)	35/38/41/43	38/42/45/48	39/43/46/48	41/45/46/48	41/45/46/48	42/46/53	42/46/53
Sound power level (LS/MS/HS/SS)	dB(A)	52/55/58/60	55/59/62/65	56/60/63/65	56/61/63/65	56/61/63/65	57/61/70	57/61/70
Airflow (LS/MS/HS/SS)	m³/h	740/875/1060/1150	870/1090/1220/1410	950/1140/1290/1410	1290/1550/1670/1750	1290/1550/1670/1750	1315/1530/2025	1315/1530/2025
External static pressure Range	Pa	25 (25-60)	25 (25-80)	25 (25-80)	37 (37-100)	37 (37-100)	50 (50-100)	50 (50-100)
Dehumidification	l/h	1.5	2.3	2.7	3.5	4.6	3.3	3.8
Outline dimensions (WxHxD)	mm	790x256x749	790x256x749	790x256x749	854x297x816	854x297x816	854x297x816	854x297x816
Package dimensions (WxHxD)	mm	960x300x855	960x300x855	960x300x855	1005x345x915	1005x345x915	1005x345x915	1005x345x915
Net weight/Gross weight	kg	29/31.5	30/32.5	31/33.5	33/35.5	33/35.5	33/35.5	33/35.5
Part number		7SP032154	7SP032155	7SP032156	7SP032157	7SP032157	7SP032087	7SP032087
OUTDOOR UNIT								
Sound pressure level to 1 m	dB(A)	53	55	56	58	58	58	58
Sound power level	dB(A)	65	67	68	69	69	70	70
Airflow	m³/h	2500	2750	3400	4150	4150	5700	5700
Compressor type		Twin Rotary DCI	Twin Rotary DCI	Twin Rotary DCI	Twin Rotary DCI	Twin Rotary DCI	Scroll DCI	Twin Rotary DCI
Outline dimensions (WxHxD)	mm	900x700x340	900x700x340	900x860x340	900x970x340	900x970x340	900x1250x340	900x1250x340
Package dimensions (WxHxD)	mm	985x730x435	985x730x435	985x905x435	985x1020x435	985x1020x435	980x1400x420	980x1400x420
Net weight/Gross weight	kg	56/58.5	61/63.5	66 / 68.5	80 / 82.8	85/87.8	110/121	110/121
Part number		7SP061886	7SP061887	7SP061922	7SP061923	7SP061900	7SP061815	7SP061757
POWER SUPPLY								
Phase/Tension/Frequency		1P/230V/50Hz	1P/230V/50Hz	1P/230V/50Hz	1P/230V/50Hz	3P/400V/50Hz	1P/230V/50Hz	3P/400V/50Hz
Power supply side		Ind. & Out.	Outdoor	Outdoor	Outdoor	Outdoor	Outdoor	Outdoor
Power cable section	mm²	3x2.5	3x2.5	3x2.5	3x4.0	5x2.5	3x6.0	5x2.5
Fuse rating am (D curve)	A	20	20	20	25	3x16	32	3x16
Electrical connections	mm²	4x1.5	4x1.5	4x1.5	3x1.5 + 2x0.75	3x1.5 + 2x0.75	3x1.5 + 2x0.75	3x1.5 + 2x0.75
PIPE LINE								
Suction pipe diameter	inches	1/2"	5/8"	5/8"	5/8"	5/8"	3/4"	3/4"
Liquid pipe diameter	inches	1/4"	3/8"	3/8"	3/8"	3/8"	3/8"	3/8"
Max. length	m	30	30	50	70	70	70	70
Max. height	m	15	15	25	30	30	30	30
Refrigerant / GWP		R410A/2088	R410A/2088	R410A/2088	R410A/2088	R410A/2088	R410A/2088	R410A/2088
Charge (precharge length)	kg	1.55 (15m)	2.3 (15m)	2.1 (15m)	2.5 (30m)	2.5 (30m)	3.3 (30m)	3.2 (30m)
Additional charge	g/m	35	35	50	30	30	40	40

COMBINATIONS

Indoor unit	Compatible with outdoor unit
Ducted	Monosplit
DLSE 18 	YBDE 
DLSE 24 to 43 	YBDE 