

## INDOOR UNIT DUCTED TYPE

### R410A



ENGLISH

Indoor unit ducted type - DAF

CE

# Getting Started...

## REQUIRED TOOLS LIST

- |   |                                    |                   |
|---|------------------------------------|-------------------|
| 1. Screw driver                               | 8. Gas leak detector               | 15. Torque wrench |
| 2. Electric drill,<br>hole core drill (60 mm) | 9. Measuring tape                  | 18 Nm (1.8 kgf.m) |
| 3. Hexagonal wrench                           | 10. Thermometer                    | 45 Nm (4.5 kgf.m) |
| 4. Spanner                                    | 11. Megameter                      | 65 Nm (6.5 kgf.m) |
| 5. Pipe cutter                                | 12. Multimeter                     | 75 Nm (7.5 kgf.m) |
| 6. Reamer                                     | 13. Vacuum pump                    | 85 Nm (8.5 kgf.m) |
| 7. Knife                                      | 14. Gauge manifold<br>(for R-410A) |                   |

## ATTENTION

- Selection of the unit's location.  
Select a location, which is rigid and strong enough to support or hold the unit, and select a location for easy maintenance.
- Do not release refrigerant during piping work for installation, reinstallation and during the reparation of refrigeration parts. Take care of the liquid refrigerant, it may cause frostbite.
- Installation work. It may need two people to carry out the installation work.
- Do not install this appliance in a laundry room or humid ambient where water may drip from the ceiling, etc.

## OPERATING RANGE

ON-OFF		Indoor		Outdoor	
		DB[°C]	WB[°C]	DB[°C]	WB[°C]
Cooling	Upper Limit	32	23	43	NA
	Lower Limit	21	15	-15	NA
Heating	Upper Limit	27	NA	24	18
	Lower Limit	10	NA	-10	-11

## Contents:

Installation/Service Tooling .....	4	Pipes connections .....	15
Attached Accessories.....	6	Cutting and flaring.....	15
General information .....	7	Pipe insulation .....	15
General precautions .....	9	Pipe connections to the unit.....	16
Indoor unit .....	10	Evacuation of pipes and indoor unit.....	16
Access to the unit.....	11	Electrical connections .....	17
Unit Installation.....	12	Display Control Unit .....	19
Drainage installation.....	12	Check list before operation .....	20
Air filter location.....	13		
Outdoor unit .....	14		
Unit dimensions.....	14		
Several outdoors installation .....	15		
Disposal of outdoor unit condensed water .....	15		

## SAFETY PRECAUTIONS

Read the following "SAFETY PRECAUTIONS" carefully before installation. Electrical work must be installed by a licensed electrician. Be sure to use the correct rating of the power plug and main circuit for the model to be installed. The caution items stated here must be followed because these important contents are related to safety. The meaning of each indication used is as below.

Incorrect installation due to ignoring the instructions will cause harm or damage, and the seriousness is classified by the following indications.

Carry out test running to confirm that no abnormality occurs after the installation. Then, explain to user the operation, care and maintenance as stated in instructions. Please remind the customer to keep the operating instructions for future reference.

**The items to be followed are classified by the symbols:**



**WARNING**

This indication shows the possibility of causing death or serious injury.

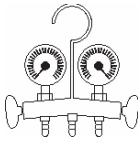
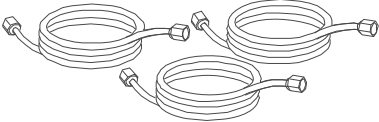


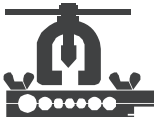



Symbol with background white denotes item that is PROHIBITED from doing.



**WARNING**

1. Use qualified installer and follow carefully the instructions, otherwise it will cause electrical shock, water leakage, or aesthetic problem.
2. Install at a strong and firm location, which is able to withstand the set's weight. If the strength is not enough or installation is not properly done, the set will drop and cause injury.
3. For electrical work, follow the local national wiring standard, regulation and the installation instructions. An independent circuit and single outlet must be used. If electrical circuit capacity is not enough it will cause electrical shock or fire.
4. Use the specified cable and connect tightly for indoor/outdoor connection. Connect tightly and clamp the cable so that no external force will be acted on the terminal. If connection or fixing is not perfect, it will cause heat-up or fire at the connection.
5. Wire routing must be properly arranged so that control board cover is fixed properly. If control board cover is not fixed perfectly, it will cause heat-up at connection point of terminal, fire or electrical shock.
6. Before obtaining access to terminals, all supply circuits must be disconnected.
7. When carrying out piping connection, take care not to let air substances other than the specified refrigerant go into refrigeration cycle, otherwise, it will cause lower capacity, abnormal high pressure in the refrigeration cycle, explosion and injury.
8. Do not damage or use unspecified power supply cord. Otherwise, it will cause fire or electrical shock.
9. Do not modify the length of the power supply cord or use of the extension cord, and do not share the single outlet with other electrical appliances. Otherwise, it will cause fire or electrical shock.
10. This equipment must be earthed. It may cause electrical shock if grounding is not perfect.
11. Do not install the unit at place where leakage of flammable gas may occur. In case of gas leaks and accumulates at surrounding of the unit, it may cause fire.
12. Carry out drainage piping as mentioned in installation instructions. If drainage is not perfect, water may enter the room and damage the furniture.
13. If supply cord is damaged, it must be replaced by the manufacturer, its service agent or similarly qualified persons in order to avoid a hazard.

Installation/Service Tooling for R410A	Changes
Gauge manifold 	As the working pressure is high, it is impossible to measure the working pressure using conventional gauges. In order to prevent any other refrigerant from being charged, the port diameters have been changed.
Charge hose 	In order to increase pressure resisting strength, hose materials and port sizes have been changed (to 1/2 UNF 20 threads per inch). When purchasing a charge hose, be sure to confirm the port size.
Electronic scale for refrigerant charging 	As working pressure is high and gasification speed is fast, it is difficult to read the indicated value by means of charging cylinder, as air bubbles occur.
Torque wrench (nominal dia. 1/2, 5/8) 	The size of opposing flare nuts has been increased. Incidentally, a common wrench is used for nominal diameters 1/4 and 3/8.
Flare tool (clutch type) 	By increasing the clamp bars receiving hole size, strength of spring in the tool has been improved.
Gauge for projection adjustment	Used when flare is made by conventional flare tool.
Vacuum pump adapter & check valve	Connected to a conventional vacuum pump. It is necessary to use an adapter to prevent vacuum pump oil from flowing back into the charge hose. The charge hose connecting part has two ports - one for conventional refrigerant (7/16 UNF 20 threads per inch) and one for R410A. If the vacuum pump oil (mineral) mixes with R410A a sludge may occur and damage the equipment.
Gas leakage detector 	Exclusive for HFC refrigerant.

*Incidentally, the "refrigerant cylinder" comes with the refrigerant designation (R410A) and protector coating in the U.S's ARI specified rose color (ARI color code: PMS 507). Also, the "charge port and packing for refrigerant cylinder" requires 1/2 UNF 20 threads per inch corresponding to the charge hose's port size.*

## CAUTION R410A Air Conditioner Installation

---

THIS AIR CONDITIONER ADOPTS THE NEW HFC REFRIGERANT (R410A) WHICH DOES NOT DESTROY OZONE LAYER. R410A refrigerant is apt to be affected by impurities such as water, oxidizing membrane, and oils because the working pressure of R410A refrigerant is approx. 1.6 times of refrigerant R22. Accompanied with the adoption of the new refrigerant, the refrigeration machine oil has also been changed. Therefore, during installation work, be sure that water, dust, former refrigerant, or refrigeration machine oil do not enter into the new type refrigerant R410A air conditioner circuit. To prevent mixing of refrigerant or refrigerating machine oil, the sizes of connecting sections of charging port on main unit and installation tools are different from those used for the conventional refrigerant units. Accordingly, special tools are required for the new refrigerant (R410A) units. For connecting pipes, use new and clean piping materials with high pressure fittings made for R410A only.

Moreover, do not use the existing piping because there are some problems with pressure fittings and possible impurities in existing piping.

### Changes in the product and components

In air conditioners using R410A, in order to prevent any other refrigerant from being accidentally charged, the service port diameter size of the outdoor unit control valve (3 way valve) has been changed. (1/2 UNF 20 threads per inch). In order to increase the pressure resisting strength of the refrigerant piping, flare processing diameter and opposing flare nuts sizes have been changed. (for copper pipes with nominal dimensions 1/2 and 5/8).

In case of pipes welding please make sure to use dry Nitrogen inside the pipes.

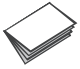
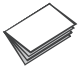








Use copper tube of special thickness for R410A:

1/4"-1/2" 0.8 mm

5/8"-3/4" 1 mm

Do not vent **R410A** into atmosphere: **R410A** is a fluorinated greenhouse gas, covered by Kyoto Protocol, with a Global Warming Potential (GWP) = **1730**

## ATTACHED ACCESSORIES

Description	Amount	Name	Use
	1	Technician's installation manual	Installation instructions
	1	Instruction manual for remote control	Operating instructions for remote
	1	Instruction manual for unit display	Operating instructions
	1	Remote control including batteries	Operating the air-conditioner
	1	Remote control bracket	Hanging the remote control on the wall
	1	Central control display	Operating and main working display
	4	Tie-Wraps	Tightening the indoor and the outdoor unit's electrical cables
	4 each	Dibbles - Screws - Washers	Installing bracket for remote control and central control display
	1	Drain elbow	Connecting drain hose to outdoor
	1+1	Gas tubing insulation	Additional insulation on both gas connections

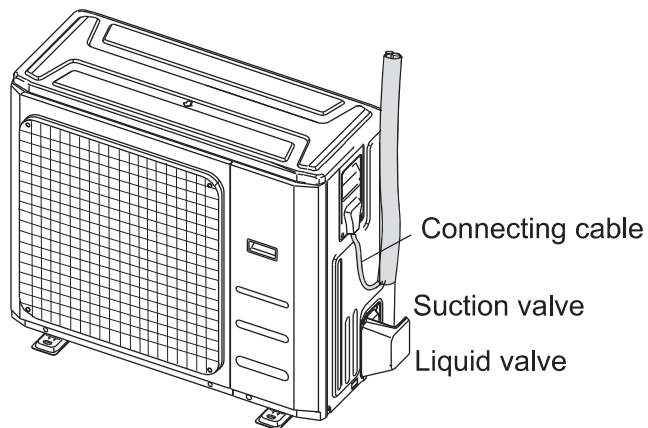
**Indoor Unit**      The unit can be installed as concealed unit above a false ceiling.

Since the unit is a concealed and not a ducted unit, it is very important that the ducts length fits the maximum external static pressure allowed in the table in page 8.

### Horizontal Installation



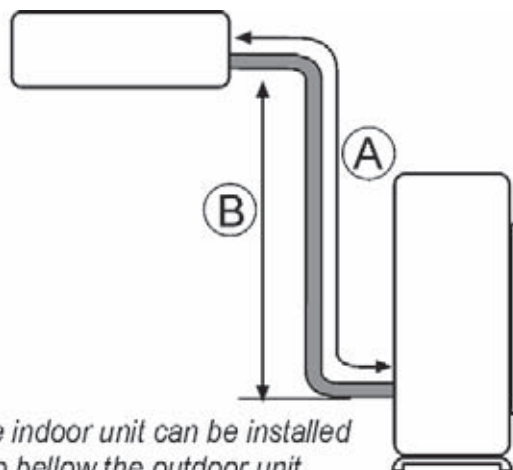
### Outdoor Unit



## GENERAL INFORMATION

EXTERNAL STATIC PRESSURE-Pa

NOMINAL CAPACITY	NOMINAL	MAX
12/18	25	30
24	25	70
30	37	80
36	37	140
48/60	50	150

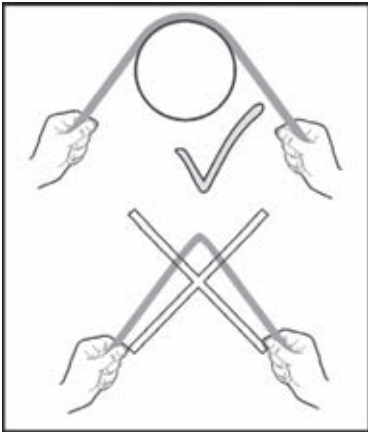


MAXIMUM PIPE LENGTH & HEIGHT

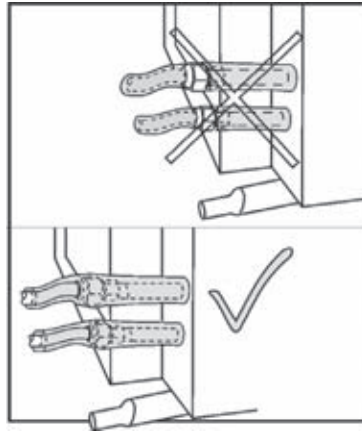
CAPACITY (KBtu/h)	TUBE OD: LIQUID - GAS (Inch)	A- L.MAX (m)	B - H.MAX (m)	LENGTH OF PRECHARGE (m)	ADDITIONAL CHARGE (g/m)
12	1/4"-1/2"	20	15	7	10
18	1/4"-1/2"	25	15	7	18
24	3/8"-5/8"	30	15	7	54
30	3/8"-5/8"	30	15	7	54
36	3/8"-3/4"	30	15	7	54
48	1/2"-3/4"	50	30	7	90
60	1/2"-3/4"	50	30	9.5	90



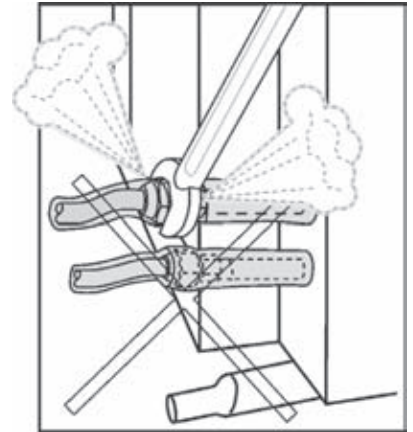
## GENERAL PRECAUTIONS



Always use the support of a large radius cylinder for banding the tubes, using pipe bending tools



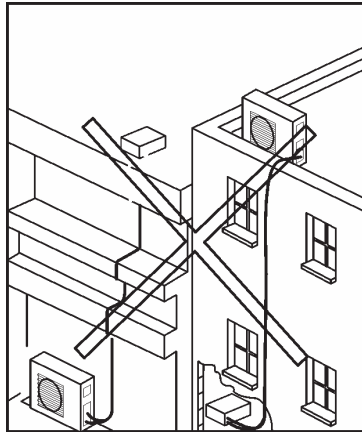
Do not leave nuts of gas tubes uncovered. Isolate the connections with the supplied tube insulation



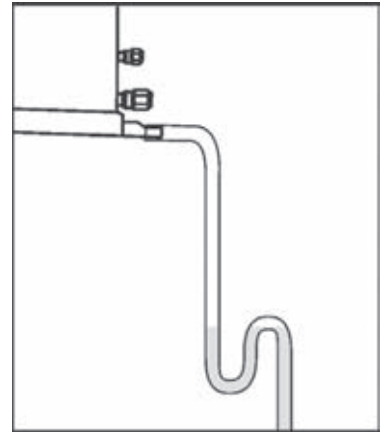
Do not unscrew gas tubes after installation



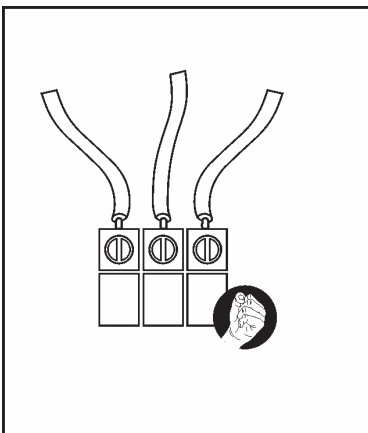
Avoid placing the indoor unit near water or oily mist



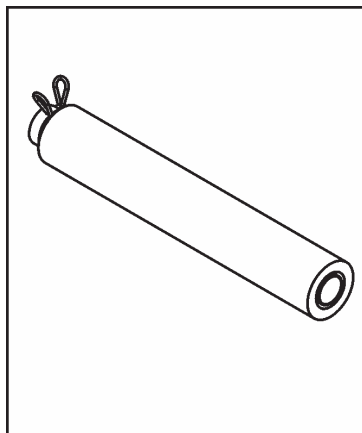
Avoid pipes bending and keep them as short as possible, minimum 3 meters



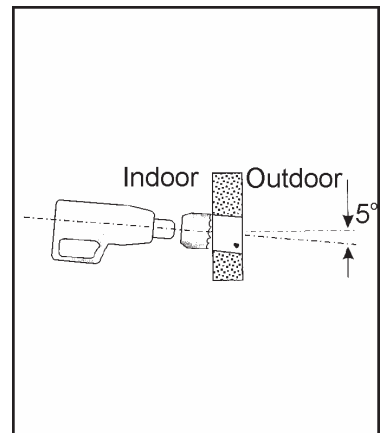
Making of a water trap (Siphon) will prevent bad odors



Tighten electrical Circuit's cables



Insulate drainage tube



Drill the hole at an angle to prevent condensate or rain water from penetrating back into the room

## INDOOR UNIT

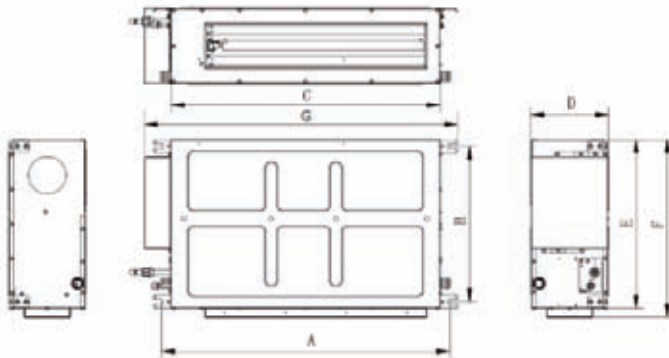
### UNIT LOCATION

While selecting a place for the indoor unit:

- Allow max. air flow to the desired space.
- Allow max return air flow.
- Ensure adequate drainage of condensate water.
- Ensure noise reduction near bedrooms.
- Leave a minimum 200 mm free space in the rear side of the unit.

- Allow a free service access to electrical box.
- Allow easy access to the base of the indoor unit while providing enough space from the ceiling.
- Use serrated rubber under the unit and flexible joints to avoid resonance vibrations.

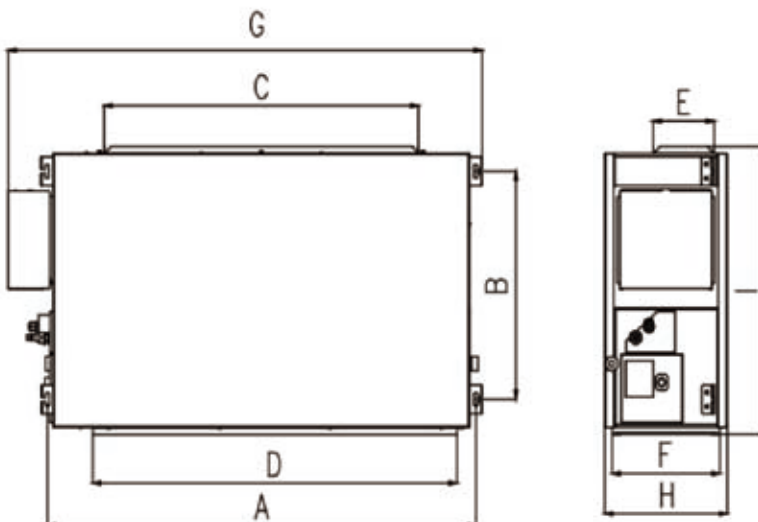
### UNIT DIMENSIONS



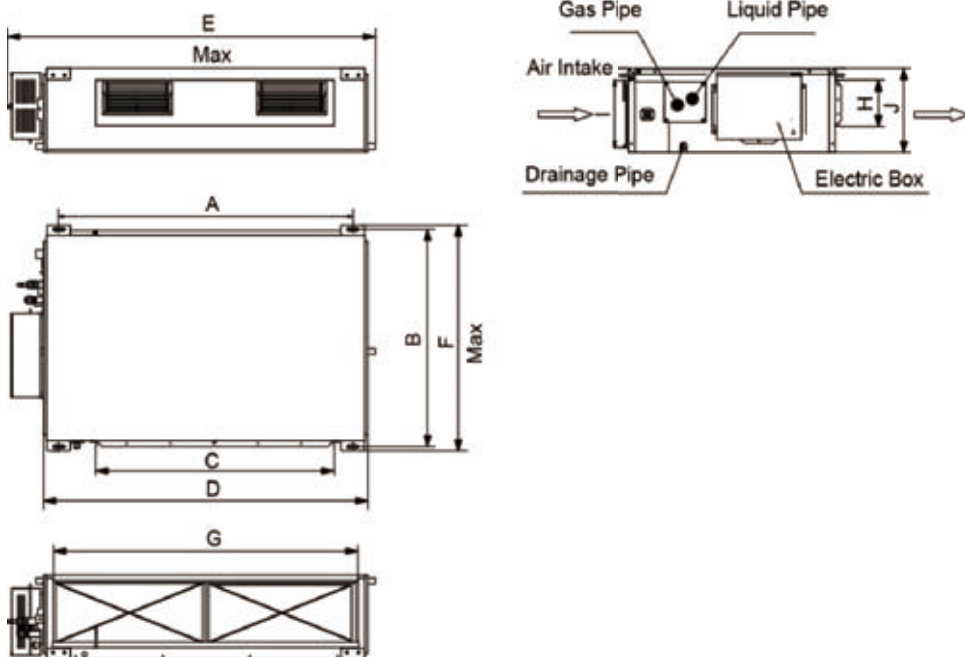
Model 12K

Unit: mm

Model	A	B	C	D	E	F	G
12	760	415	700	200	460	485	824



Model 18K

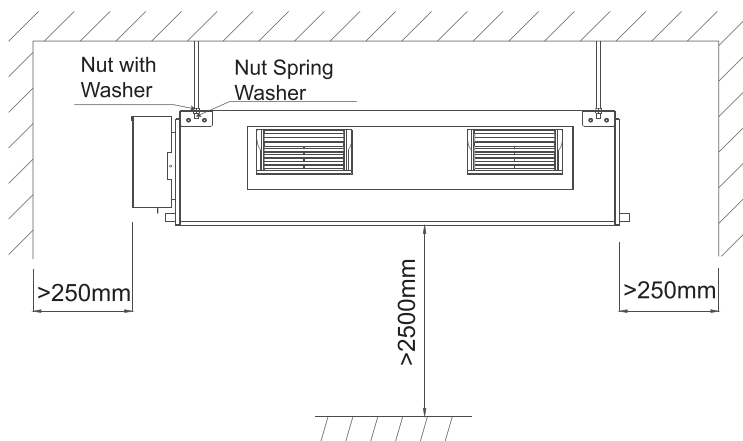


Model 24-60K

Unit: mm

Model	A	B	C	D	E	F	G	H	I	J
18	940	430	740	738	206	125	1015	275	720	
24/30	1101	515	820	1159	1260	555	1002	160	235	270
36/48	1011	748	820	1115	1230	790	979	160	231	290
60	1011	788	820	1115	1235	830	979	160	256	330

**CLEARANCE AROUND THE UNIT AND SERVICE ACCESS**



## UNIT INSTALLATION

- Insert 4 M10 or 3/8" threads rods into the ceiling.
- Introduce the rods through the slots of unit suspension brackets.
- Position the shock absorbers, add washers and screw the nuts until the unit is firmly supported.
- In case of a gap between the unit and the ceiling, put a rubber or a neoprene sheet.

**IMPORTANT** The unit must be perfectly leveled

## DRAINAGE INSTALLATION

### General

For an efficient functioning of the drainage system, please take care of the following:

- Always balance the unit with 2° downward to the drainage side of the unit.
- Use ID=26mm tube drainage.
- It is recommended to prepare a drainage point by professional plumber close to the unit.
- For proper drainage, the passage must be planned with 1° down slope.
- Prevent any upwards or reverse flow in any part.
- For preventing unpleasant smells in the room, install a siphon in the installation.
- Install the draining tube with 6 mm thickness thermal insulation sleeve.

### Horizontal drainage

- The unit includes a drain pump, which can elevate condensate water up to 100 cm from the unit lowest level. The drainage tube is connected to the upper drainage nozzle.
- The lower drainage nozzle role is to empty the drain pan before servicing the unit.
- Install on the drain tube with 5-10 mm thickness thermal insulation sleeve to prevent drippings.

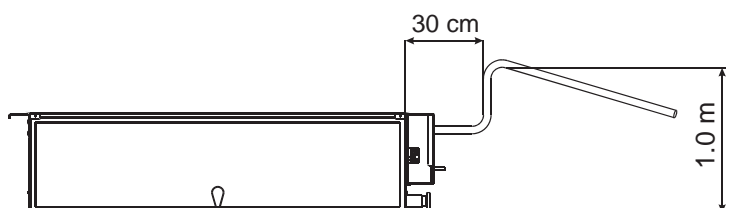
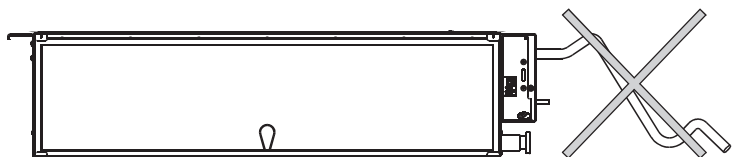
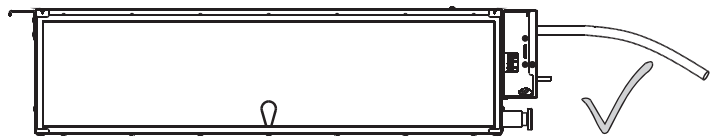
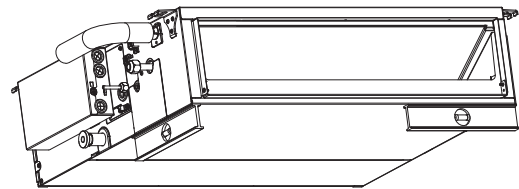


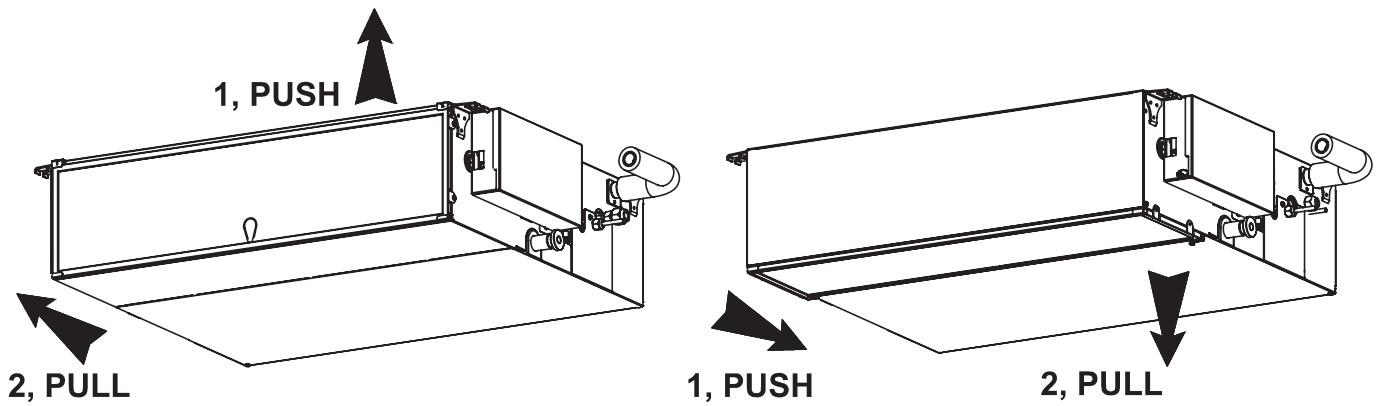
Fig.5-8

## AIR FILTER LOCATION

The air filter is located in the rear side of the unit (default from factory) but can be easily relocated in the bottom of the unit if it is required.

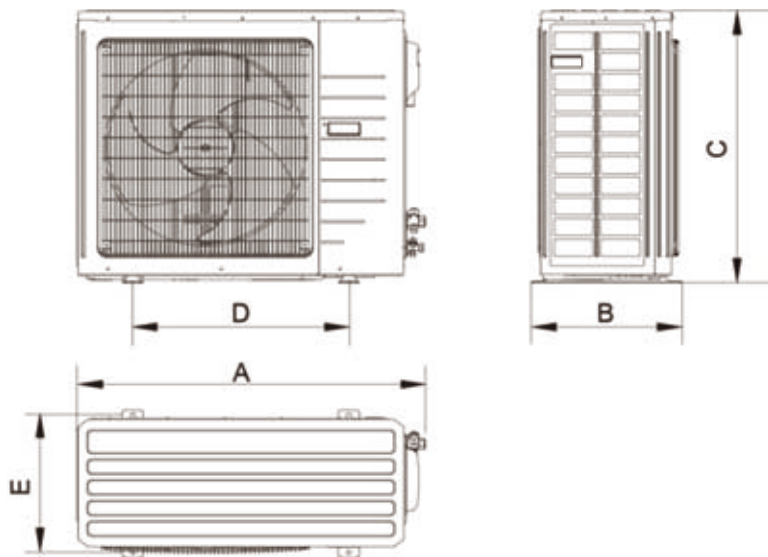
## AIR FILTER CLEANING

For cleaning the filter remove it by pushing up toward the back of the unit and pull it out as described below.

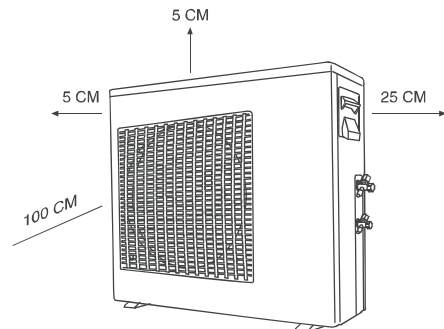


# OUTDOOR UNIT

## UNIT DIMENSIONS



## CLEARANCES AROUND THE UNIT



Unit: mm

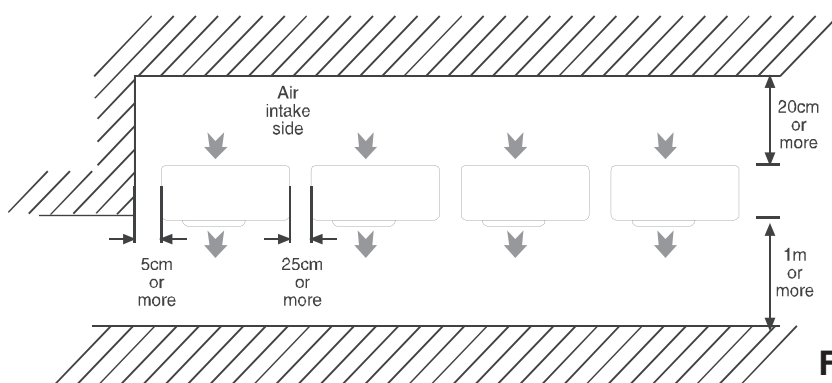
Model (KBtu/h)	A	B	C	D	E
12	848	320	540	540	286
18/24	955	395	700	560	360
30/36	980	425	790	610	395
48	1120	440	1100	631	400
60	980	410	1350	572	376

7

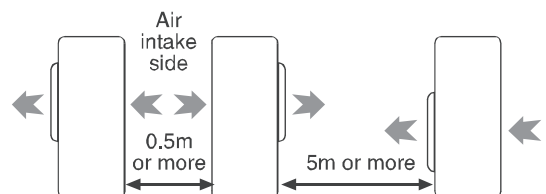
## SEVERAL OUTDOORS INSTALATION

When installing several outdoor units please take into account the air flow around the units and follow the minimum distance suggestions as shown in the diagrams bellow.

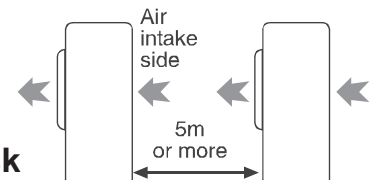
### Row Installation



### Back to Back Front to Front



### Front to Back

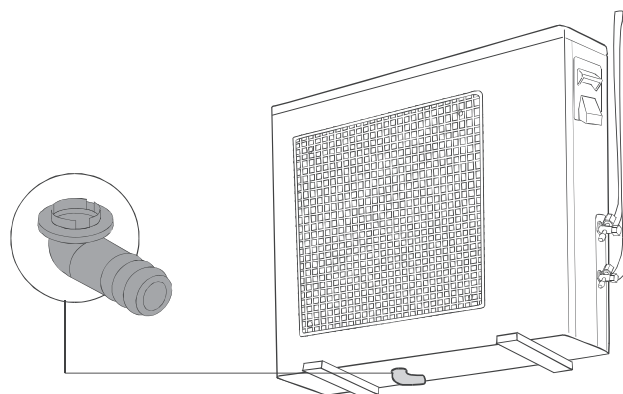


## DISPOSAL OF OUTDOOR UNIT CONDENSED WATER

In case of using a drain elbow, the unit should be placed on a stand at least 3 cm high.

Install the hose with a downward to allow smooth flow of draining water.

Use 16mm I.D. tube for drainage.



## PIPES CONNECTIONS

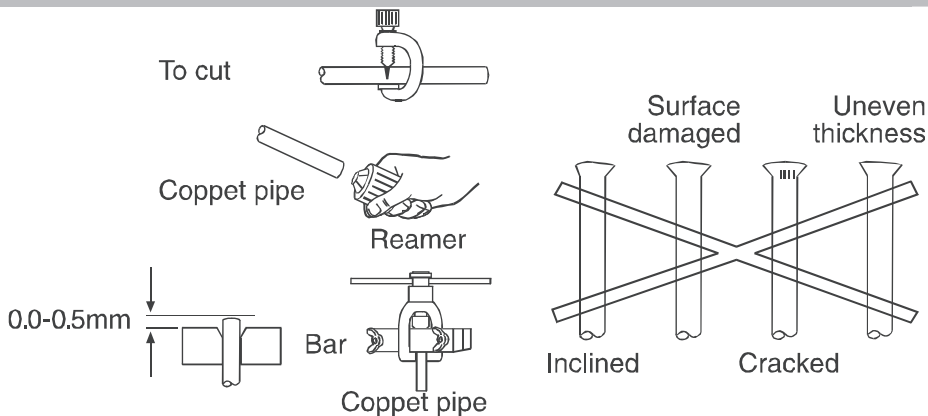
### CUTTING AND FLARING THE PIPES

1. Please use the pipe cutter for cutting the pipes.

2. Remove all burrs by using reamer. Gas leakage might happen if burrs are not removed!

Turn pipes edge down to avoid metal powder from entering down the pipes.

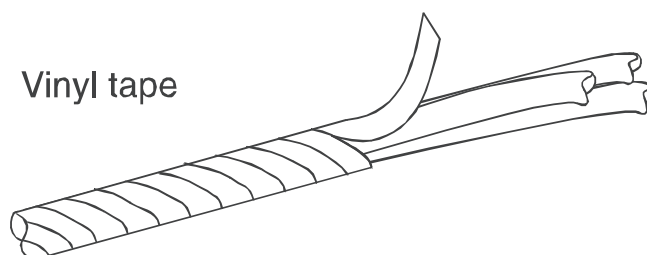
3. After inserting the flare nut into the copper pipes, please make a flare.



### PIPE INSULATION

1. Please carry out insulation at pipe connection portion as mentioned in Indoor/ Outdoor Unit Installation Diagram. Please wrap the insulated piping end to prevent water from going inside the piping.

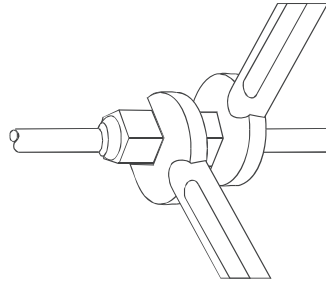
2. If drain hose or connecting pipes is in the room (where dew may form). Please increase the insulation by using POLY-E FOAM with thickness of 9 mm or more.



## PIPE CONNECTIONS TO THE UNIT

### Connection to the indoor unit

1. Align the center of the pipes and finger tight the flare nut.
2. Use the torque wrench to tighten the nut firmly.



### Connection to the outdoor unit

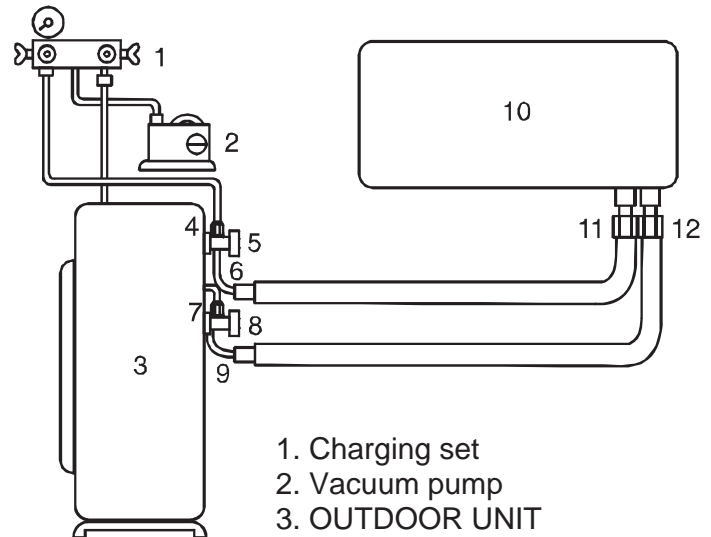
1. Align the center of the pipes to the valves.
2. Use the torque wrench to tighten the valves firmly according to table:

Pipe Diameter	Tightening Torque
1/4"(Inch)	15-30 (N·m)
3/8"(Inch)	35-40 (N·m)
5/8"(Inch)	60-65 (N·m)
1/2"(Inch)	45-50 (N·m)
3/4"(Inch)	70-75 (N·m)
7/8"(Inch)	80-85 (N·m)

## VACUUM OF PIPES AND INDOOR UNIT

After connection the unions of the indoor and outdoor units, evacuate the air from the tubes and from the indoor unit as follows:

1. Connect the charging hoses with a push pin to the low and high sides of the charging set and the service port of the suction and liquid valves. Be sure to connect the end of the charging hose with the push pin to the service port.
2. Connect the center hose of the charging set to a vacuum pump.
3. Turn on the power switch of the vacuum pump and make sure that the needle in the gauge moves from 0MPa (0cm Hg) to - 0.1 Mpa (-76cm Hg). Let the pump run for fifteen minutes.
4. Close the valves of both the low and high sides of the charging set and turn off the vacuum pump. Note that the needle in the gauge should not move after approximately five minutes.
5. Disconnect the charging hose from the vacuum pump and from the service ports of the suction and liquid valves.
6. Tighten the service port caps from both valves, and open them using a hexagonal Allen wrench.
7. Remove the valve caps from both valves, and open them using a hexagonal Allen wrench.
8. Remount valve caps onto both of the valves.
9. Check for gas leaks from the four unions and from the valve caps.  
Test with electronic leak detector or with a sponge immersed in soapy water for bubbles.



1. Charging set
2. Vacuum pump
3. OUTDOOR UNIT
4. Service valve
5. Cap
6. Suction valve
7. Service valve\*
8. Cap
9. Liquid valve
10. INDOOR UNIT
11. Suction flare connection
12. Liquid flare connection

*NOTE: For additional charge of various tubing lengths, refer to outdoor unit table.*



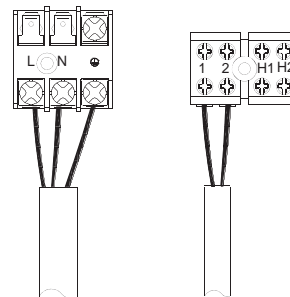
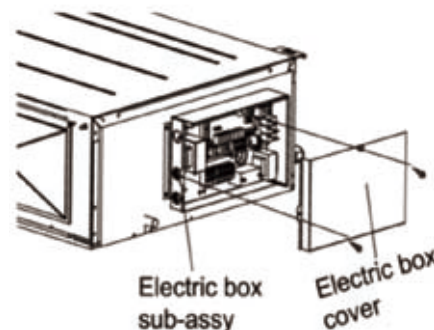
## POWER SUPPLY

Electrical wiring and connections should be made by qualified electricians in accordance with local electrical codes and regulation. The air conditioner units must be grounded.

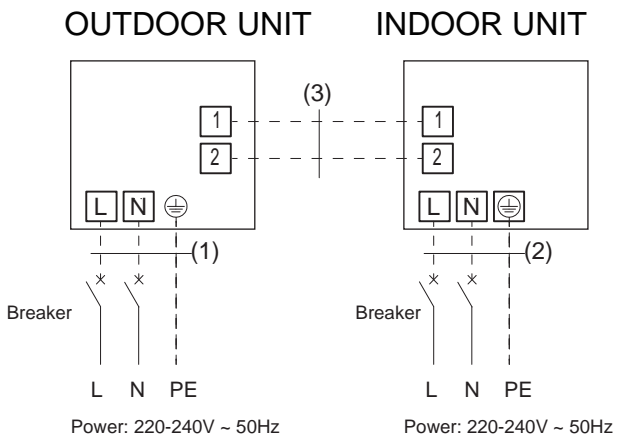
The air conditioner units must be connected to an adequate power outlet from a separate branch circuit protected by a time delay circuit breaker, as specified on unit's nameplate.

Voltage should not vary beyond  $\pm 10\%$  of the rated voltage.

1. Prepare the multiple wire cable ends for connection.
2. Take away the Indoor/outdoor cover and open the terminals, take away the cable clamp screw and turn over the cable clamp.
3. Connect the cable ends to the terminals of the indoor and outdoor units.
4. Connect the other end of the twin wire cable to the outdoor unit twin wire terminal.
5. Secure the multiple wire power cable with the cable clamps.



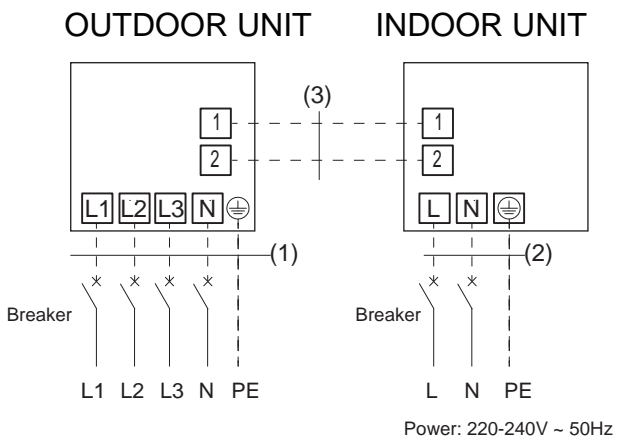
12/18/24/30 KBtu/h (1Ph)



Model 12 / 18K
①. Power cord 3×2.5mm <sup>2</sup> (H07RN-F)
②. Power cord 3×1.0mm <sup>2</sup> (H05RN-F)
③. Communication Cords 2×0.75mm <sup>2</sup> (H05RN-F)

Model 24 / 30K
①. Power cord 3×4.0mm <sup>2</sup> (H07RN-F)
②. Power cord 3×1.0mm <sup>2</sup> (H05RN-F)
③. Communication Cords 2×0.75mm <sup>2</sup> (H05RN-F)

36/48/60 KBtu/h (3Ph)



Model 36K
①. Power cord 5×1.5mm <sup>2</sup> (H07RN-F)
②. Power cord 3×1.0mm <sup>2</sup> (H05RN-F)
③. Communication Cords 2×0.75mm <sup>2</sup> (H05RN-F)

Model 48 / 60K
①. Power cord 5×2.5mm <sup>2</sup> (H07RN-F)
②. Power cord 3×1.0mm <sup>2</sup> (H05RN-F)
③. Communication Cords 2×0.75mm <sup>2</sup> (H05RN-F)

## DISPLAY CONTROL UNIT

### LOCATION CRITERIA

It is recommended to install the Display Control Unit close to a ceiling in a central and neutral zone at typical conditions. In addition, the aesthetic aspect should be considered. The Display Control Unit is connected to the main control board on the air conditioner (the indoor unit) by a communication cable. The cable is connected to the Display Control Unit by a quick-connector. (8 pin plug)

### INSTALLATION OF DISPLAY CONTROL UNIT ON WALL

Drill a 12 mm diameter hole on the wall, for routing the communication cable. Open the unit cover, drill 3 holes in the wall to match the holes in the Display Control Unit, install the inserts and fasten the unit to the wall with 3 screws.

The Display Control Unit is provided of a special communication cable, 7 meters long, terminated by a plug, connected in the housing itself to a distribution box, which enables the control of the air conditioner from several different rooms, each one from its own Display Control Unit.

Connect the quick connector to the appropriate socket on the main control board in the indoor unit electrical box.



#### **WARNING**

The plug should not be cut off from the communication cable if the cable length is insufficient. In such case, a 5-meter extension cable may be added.

### CONSIDERATIONS IN LOCATING THE REMOTE CONTROL UNIT

- a) Locate the Remote Controller Unit in such way that when mounted on its support on the wall, it will be in line sight with the Display Control Unit (at less than 8 m).
- b) It is recommended to establish the final location of the Remote Control Unit only after the first operation, assuring proper transmission and reception between the Remote Controller Unit and the Display Control Unit.

# Check list before operation

## CHECK THE DRAINAGE

Pour water into the drain tray-styrofoam.  
Ensure that water flows out from drain  
hose of the indoor unit.

## EVALUATION OF THE PERFORMANCE

Operate the unit at cooling mode and high  
fan speed for fifteen minutes or more.  
Measure the temperature of the intake and  
discharge air.  
Ensure the difference between the intake  
temperature and the discharge is more than  
8 °C

## CHECK ITEMS

- |  |   |
|--|---|
| <input type="checkbox"/> Is there any gas leakage at flare nut connections?                | <input type="checkbox"/> Is the indoor unit properly mounted to the ceiling?    |
| <input type="checkbox"/> Has the heat insulation been carried out at flare nut connection? | <input type="checkbox"/> Is the power supply voltage complied with rated value? |
| <input type="checkbox"/> Is the connecting cable being fixed to terminal board firmly?     | <input type="checkbox"/> Is there any abnormal sound?                           |
| <input type="checkbox"/> Is the connecting cable being clamped firmly?                     | <input type="checkbox"/> Is the cooling operation normal?                       |
| <input type="checkbox"/> Is the drainage OK?<br>(Refer to "Check the drainage" section)    | <input type="checkbox"/> Is the thermostat operation normal?                    |
| <input type="checkbox"/> Is the earth wire connection properly done?                       | <input type="checkbox"/> Is the remote control's LCD operation normal?          |

## KANAL- KLIMAGERÄT MIT ELEKTRONISCHER STEUERUNG

### R410A



DEUTSCH

KANAL- KLIMAGERÄT - DAF

CE

# Erste Schritte ...

## LISTE DER BENÖTIGTEN WERKZEUGE

- |  |                                   |                         |
|--|-----------------------------------|-------------------------|
| 1. Schraubenzieher                       | 8. Gaslecksucher                  | 15. Drehmomentschlüssel |
| 2. Bohrmaschine,<br>Kronenbohrer (60 mm) | 9. Massband                       | 18 Nm (1.8 kgf.m)       |
| 3. Sechskantschlüssel                    | 10. Thermometer                   | 45 Nm (4.5 kgf.m)       |
| 4. Schraubenschlüssel                    | 11. Megameter                     | 65 Nm (6.5 kgf.m)       |
| 5. Rohrschneider                         | 12. Universalmessgerät            | 75 Nm (7.5 kgf.m)       |
| 6. Räumahle                              | 13. Vakuumpumpe                   | 85 Nm (8.5 kgf.m)       |
| 7. Messer                                | 14. Messlehrenset<br>(für R-410A) |                         |

## ACHTUNG

- Wahl des Installationsortes der Einheit. Wählen Sie eine Stelle, die fest und stark genug ist, die Einheit zu halten und ausserdem leicht zugänglich ist, so dass die Einheit gewartet werden kann.
- Achten Sie darauf, während der Arbeit an den Rohrleitungen (bei der Installation, Deinstallation und während der Ausbesserung von Kühlteilen) keine Kühlflüssigkeit entweichen zu lassen. Die Kühlflüssigkeit kann bei Kontakt zu Erfrierungen führen.
- Installationsarbeiten. Es können zwei Personen zur Installation der Klimaanlage nötig sein.
- Dieses Gerät sollte nicht in einem Wäscheraum oder einer feuchten Umgebung, wo Wasser von der Decke tropfen kann, installiert werden.

## BEREICH DER BETRIEBSTEMPERATUR

ON-OFF		Innengerät		Außengerät	
		DB[°C]	WB[°C]	DB[°C]	WB[°C]
Kühlen	Obere Grenze	32	23	43	NA
	Untere Grenze	21	15	-15	NA
Heizen	Obere Grenze	27	NA	24	18
	Untere Grenze	10	NA	-10	-11

## Inhalt:

Installations-/Wartungswerkzeuge .....	5	Verschiedene Installationsmöglichkeiten der Ausseneinheit .....	15
Beigefügte Zubehörteile .....	7	Ableitung des Kondenswassers der Ausseneinheit.....	16
Allgemeine Informationen .....	8	Anschluss der Rohre .....	16
Allgemeine Vorsichtsmaßnahmen .....	10	Schneiden und Aufdornen .....	16
Inneneinheit .....	11	Rohrisolierung.....	16
Freiraum um die Einheit herum .....	12	Anschluss der Rohre an die Einheit.....	17
Installation der Einheit.....	13	Herstellung eines Vakuums in den Röhren und der Inneneinheit.....	18
Installation des Wasserableitungskanals	13	Elektrische Anschlüsse .....	19
Lage des Luftfilters .....	14	Anzeige- und Steuereinheit .....	21
<b>Ausseneinheit</b> .....	15	Kontrollliste vor Inbetriebnahme .....	22
Abmessungen der Einheit .....	15		

## SICHERHEITSMASSNAHMEN

Lesen Sie die folgenden "SICHERHEITSMASSNAHMEN" sorgfältig durch bevor Sie die Klimaanlage installieren. Elektrische Arbeiten müssen von einem zugelassenen Elektriker ausgeführt werden. Vergewissern Sie sich, dass die Nennleistung des Hauptstromkreises und der Netzstecker dem von Ihnen zu installierende Modell entsprechen. Die hier aufgeführten Vorsichtsmassnahmen müssen genau beachtet werden, da sie für die Sicherheit wichtig sind. Die Bedeutung jedes benutzten Zeichens wird unten erklärt.

Eine unsachgemässe Installation durch Nichtbeachtung dieser Anweisungen kann Schäden verursachen. Nach beendeter Installation führen Sie einen Probelauf durch um sicherzugehen, dass die Anlage ordnungsgemäss funktioniert. Danach erklären Sie dem Kunden den Betrieb, die Pflege und Wartung, wie in den Anweisungen aufgeführt. Erinnern Sie den Kunden daran, die Bedienungsanweisungen zum späteren Nachschlagen aufzubewahren.

DEUTSCH

**Die im folgenden aufgeführten Sicherheitsmassnahmen werden von folgenden Symbolen begleitet:**



**WARNUNG**




Dieses Zeichen weist darauf hin, dass die Gefahr von möglichen Todesfällen oder schweren Verletzungen besteht.



Das Symbol mit weissem Hintergrund weist auf ein **VERBOT** hin.



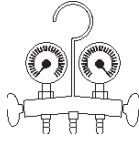
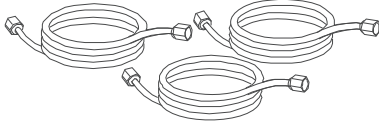

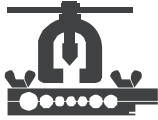

## WARNUNG

1. Lassen Sie die Installation nur von ausgebildeten Montagetechnikern ausführen und befolgen Sie die Anweisungen sorgfältig. Andernfalls kann es zu Elektroschocks oder Wasserschäden kommen oder ästhetische Probleme auftreten..
2. Installieren Sie die Einheit an einer festen und starken Stelle, die ihr Gewicht tragen kann. Wenn die gewählte Stelle nicht stark genug ist oder die Installation nicht ordnungsgemäss ausgeführt wurde, kann die Einheit herunterfallen und möglicherweise darunterstehende Personen verletzen.
3. Bei der Ausführung elektrischer Arbeiten befolgen Sie die nationalen Standards für elektrische Installationen sowie die Installationsanweisungen. Es ist unbedingt notwendig, einen eigenständigen Stromkreis und Netzstecker zu benutzen. Wenn die Belastbarkeit des Stromkreises nicht hoch genug ist, besteht die Gefahr eines elektrischen Schocks oder Feuers.
4. Benutzen Sie das angegebene Kabel und schliessen es sachgemäss an die Aussen-/Inneneinheit an. Schliessen Sie es fest an und klemmen es zusätzlich fest, so dass keine äussere Kraft auf das Terminal einwirken kann. Wenn der Anschluss oder die Befestigung nicht richtig ausgeführt wurden, können sie sich aufheizen oder sogar ein Feuer an ihnen ausbrechen.
5. Die Drähte müssen ordnungsgemäss verlegt werden, so dass die Abdeckung der Steuereinheit richtig befestigt ist. Wenn die Abdeckung der Steuereinheit nicht richtig befestigt ist, kann sich der Anschlusspunkt aufheizen oder sogar ein elektrischer Schock oder ein Feuer ausgelöst werden.
6. Alle Stromkreise müssen vom Stromnetz abgetrennt werden, bevor Arbeiten am Terminal ausgeführt werden dürfen.
7. Beim Anschliessen der Rohre müssen Sie darauf achten, dass nur das angegebene Kühlmittel in den Kühlzyklus gelangt. Andernfalls kann sich die Kühlkapazität verringern, der Druck im Kühlzyklus steigen und im schlimmsten Fall eine Explosion verursacht werden. 
8. Benutzen Sie kein beschädigtes oder nicht spezifiziertes Stromkabel, da sonst ein elektrischer Schock oder Brand verursacht werden können. 
9. Die Länge des Stromkabels sollte nicht geändert werden. Schliessen Sie kein Verlängerungskabel an das Stromkabel an und benutzen Sie die Einzelsteckdose der Klimaanlage nicht für weitere Elektrogeräte. Dies könnte einen elektrischen Schock oder sogar Brand verursachen.
10. Dieses Gerät muss geerdet werden. Eine unsachgemässe Erdung kann zu einem elektrischen Schock führen. 
11. Diese Einheit sollte nicht an einem Ort installiert werden, an dem entzündbares Gas austreten kann. Gas, das in der Nähe der Klimaanlage austritt, kann sich entzünden und einen Brand verursachen.
12. Verlegen Sie die Wasserabflussleitung gemäss den Anweisungen. Bei unsachgemässer Ausführung kann Wasser in das Zimmer fließen und die Möbel beschädigen.
13. Wenn das Stromkabel beschädigt ist, muss es vom Hersteller, einem seiner Kundendienstmitarbeiter oder einer anderen qualifizierten Person ausgetauscht werden.



## Installations-/Wartungswerkzeuge für R410A

## Änderungen

Messlehrenset		Da der Arbeitsdruck sehr hoch ist, ist es unmöglich, ihn mit Hilfe einer konventionellen Messlehre zu messen. Um zu verhindern, dass andere Kühlmittel eingeleitet werden, wurden die Portdurchmesser geändert.
Füllschlauch		Um die Widerstandskraft des Schlauchs zu erhöhen, wurden das Schlauchmaterial und die Portgrößen geändert (zu 1/2 UNF 20 Fäden pro Inch). Beim Kauf eines neuen Füllschlauchs achten Sie bitte auf die Portgröße.
Elektronische Waage für Kühlmittel		Da der Arbeitsdruck und die Vergasungsgeschwindigkeit sehr hoch sind, ist es schwierig, den angezeigten Wert mit Hilfe eines Füllzylinders abzulesen, da Luftblasen auftreten können.
Drehmomentschlüssel (Durchmesser 1/2, 5/8)		Die Größe der gegenüberliegenden Ringmutter wurde erhöht. Für die Durchmesser 1/4 und 3/8 wird ein einfacher Schraubenschlüssel benutzt.
Bördelgerät (selbstausslösend)		Durch eine Vergrößerung der Löcher, die die Schraubzwinge aufnehmen, wurde die Feder im Gerät verstärkt.
Kaliber für Justierung		Wird benutzt, wenn die Rohrauftreibung mit einem konventionalen Bördelgerät ausgeführt wird.
Adapter für Vakuumpumpe & Rückschlagventil		Wird an eine konventionelle Vakuumpumpe angeschlossen. Es ist notwendig, einen Adapter zu benutzen um zu verhindern, dass Öl von der Vakuumpumpe in den Füllschlauch zurückfließt. Das Verbindungsstück des Füllschlauchs besitzt zwei Ports – einen für konventionelle Kühlmittel (7/16 UNF 20 Fäden pro Inch) und einen für R410A. Wenn das Öl der Vakuumpumpe (Mineral) sich mit R410A vermischt, kann sich Ölschlamm bilden, der das Gerät schädigen kann.
Gaslecksucher		Ausschliesslich für HFC-Kühlmittel

Der "Kühlmittelzylinder" wird mit der Kühlmittel-Beschriftung (R410A) und einer rosafarbenen Schutzeinrichtung (ARI-Farbcode: PMS 507) geliefert. Der "Befüllungsport und die Verpackung des Kühlmittelzylinders" benötigen 1/2 UNF 20 Fäden pro Inch, entsprechend der Portgröße des Füllschlauchs.

## VORSICHT Installation der R410A – Klimaanlage

---

IN DIESER KLIMAAANLAGE KANN DAS NEUE KÜHLMITTEL HFC (R410A) BENUTZT WERDEN, DAS SICH NICHT SCHÄDIGEND AUF DIE OZONSCHICHT AUSWIRKT. Das Kühlmittel R410A neigt dazu, durch Verunreinigungen wie Wasser, Oxidationsmembranen und Öle beeinträchtigt zu werden, da der Arbeitsdruck des Kühlmittels R410A etwa 1,6 Mal grösser als der des Kühlmittels R22 ist. Zusammen mit der Einführung des neuen Kühlmittels wurde auch das Kühlmaschinenöl geändert. Deshalb müssen Sie während der Installation darauf achten, dass weder Wasser noch Staub, altes Kühlmittel oder Kühlmaschinenöl in den Klimaanlagenkreislauf, der das neue Kühlmittel R410A enthält, gelangt. Um zu verhindern, dass das Kühlmittel durch Kühlmaschinenöl verunreinigt wird, unterscheiden sich die Grössen der Verbindungsstücke des Befüllungsports an der Haupteinheit und der Installationswerkzeuge von denen, die für konventionelle Kühlmittleinheiten benutzt werden. Dementsprechend benötigen Sie spezielle Werkzeuge für die neuen Kühlmittleinheiten (R410A). Benutzen Sie nur neue und saubere Rohrleitungen mit Hochdruck-Anschlüssen, die speziell für das Kühlmittel R410A hergestellt wurden.

Ausserdem sollten Sie etwaige vorhandene Rohrleitungen nicht benutzen, da einige Probleme mit den Druck-Anschlussstücken und möglichen Verunreinigungen bestehen können.

### **Veränderungen am Produkt und den Komponenten**

In Klimaanlagen, die mit R410A arbeiten, wurde der Wartungsport-Durchmesser des Kontrollventils der Ausseneinheit (3-Wege-Ventil) geändert um zu verhindern, dass aus Versehen ein anderes Kühlmittel eingefüllt werden kann. (1/2 UNF 20 Fäden pro Inch). Um die Widerstandfähigkeit der Kühlmittel führenden Rohre zu erhöhen, wurden der Aufdorn-Durchmesser und die Grösse der gegenüberliegenden Ringmuttern geändert (für Kupferrohre mit nominellen Abmessungen 1/2 und 5/8).

Zum Verschweissen der Rohre darf im Innern der Rohre nur trockener Stickstoff benutzt werden.

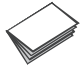
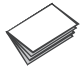
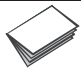







Benutzen Sie Kupferrohre mit einer speziellen Dicke für R410A:

1/4"-1/2" 0.8 mm

5/8"-3/4" 1 mm

**R410A** darf nicht in die Atmosphäre abgelassen werden: **R410A** ist ein Fluor-Treibhausgas mit einem Treibhauspotential von **1730**.

## BEIGEFÜGTE ZUBEHÖRTEILE

Beschreibung	Menge	Name	Verwendung
	1	Installationshandbuch für Techniker	Installationsanweisungen
	1	Betriebsanweisung für Fernbedienung	Bedienungsanweisungen für Fernbedienung
	1	Bedienungsanleitung für Anzeige der Einheit	Bedienungsanweisungen
	1	Fernbedienung, einschliesslich Batterien	Bedienung der Klimaanlage
	1	Halterung für Fernbedienung	Aufhängen der Fernbedienung an der Wand
	1	Zentrale Anzeige- und Bedienungseinheit	Hauptanzeige zum Bedienen der Klimaanlage
	4	Kabelbinder	Zur Befestigung der Stromkabel der Innen- und Ausseneinheit
	Je 4	Schrauben - Unterlegscheiben	Montage der Halterung für die Fernbedienung und die zentrale Bedienungsanzeige
	1	Abflusswinkel	Zum Anschluss des Abflussrohrs an die Ausseneinheit
	1+1	Gasröhrenisolierung	Zusätzliche Isolierung für beide Gasanschlüsse

## ALLGEMEINE INFORMATIONEN

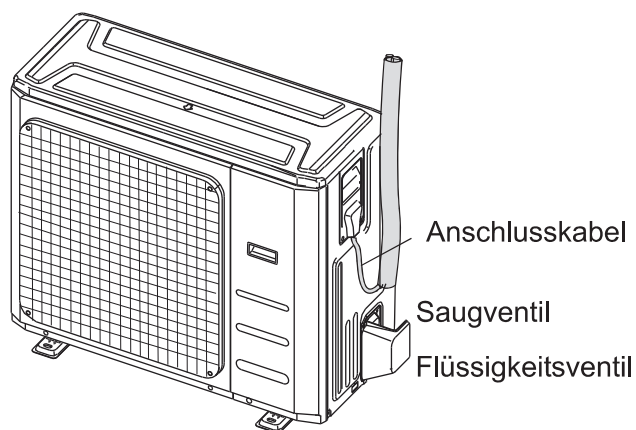
**Inneneinheit** Die Einheit kann entweder verdeckt über einer abgehängten Decke.

Da die Einheit eine verdeckte und keine Luftkanaleinheit ist, ist es sehr wichtig, dass die Länge der Luftkanäle dem maximalen externen statischen Druck, der in der Tabelle auf Seite 9 angegeben ist, entspricht.

### Horizontale Installation



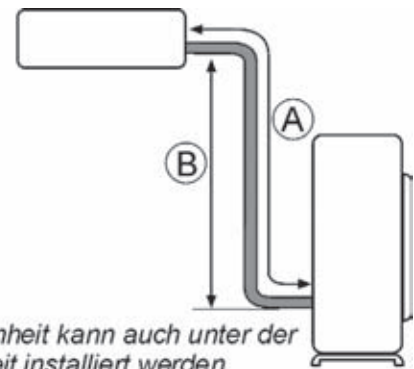
### Ausseneinheit



## ALLGEMEINE INFORMATIONEN

### EXTERNER STATISCHER DRUCK-Pa(TYP ON-OFF)

NOMINALE KAPAZITÄT	NOMINAL	MAXIMAL
12/18	25	30
24	25	70
30	37	80
36	37	140
48/60	50	150

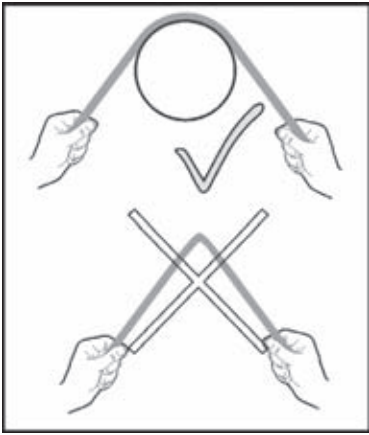


Die Inneneinheit kann auch unter der Ausseneinheit installiert werden

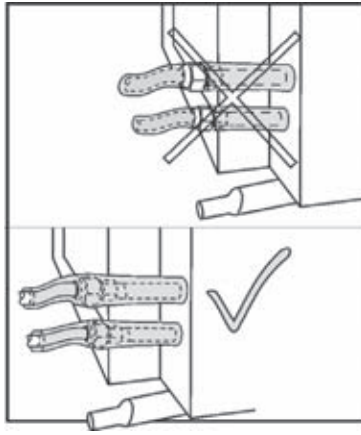
### Maximale Rohrlänge und Höhe

KAPAZITÄT (KBtu/h)	FLÜSSIGKEITSLEITUNG -GASLEITUNG (Inch)	A- L.MAX (m)	B - H.MAX (m)	LÄNGE DER PRECHARGE (m)	ZUSÄTZLICH (g/m)
12	1/4"-1/2"	20	15	7	10
18	1/4"-1/2"	25	15	7	18
24	3/8"-5/8"	30	15	7	54
30	3/8"-5/8"	30	15	7	54
36	3/8"-3/4"	30	15	7	54
48	1/2"-3/4"	50	30	7	90
60	1/2"-3/4"	50	30	9.5	90

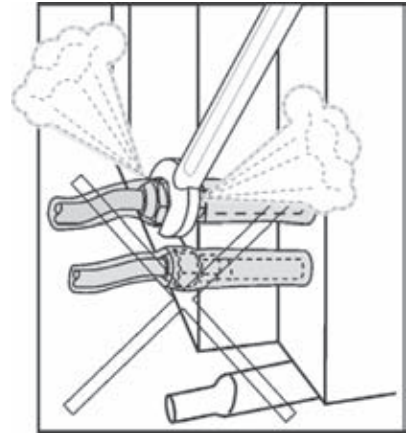
## ALLGEMEINE VORSICHTSMASSNAHMEN



Zum Biegen der Rohrleitungen sollten Sie immer einen Zylinder mit grossem Radius sowie Rohrbiegewerkzeuge benutzen.



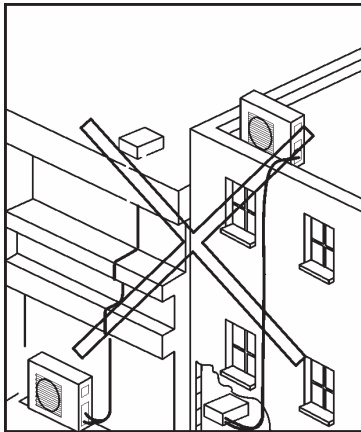
Lassen Sie die Muttern der Gasschläuche niemals unbedeckt. Isolieren Sie die Anschlüsse mit Hilfe der mitgelieferten Schlauchisolierung.



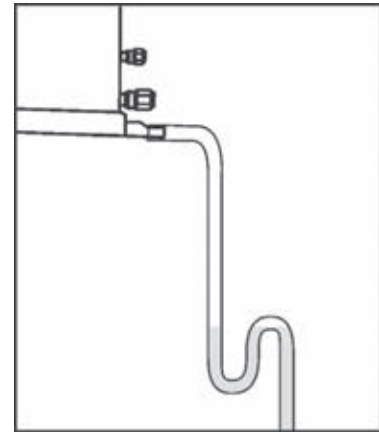
Nach der Installation dürfen die Gasschläuche nicht mehr abgeschraubt werden.



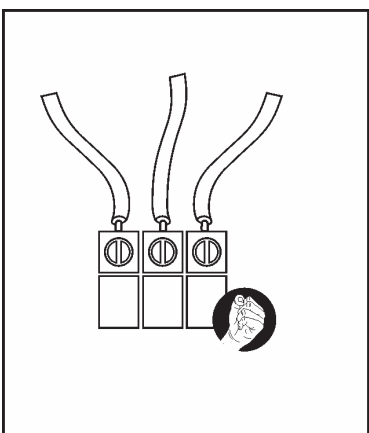
Vermeiden Sie die Installation der Inneneinheit in der Nähe einer Wasserquelle oder öligen Dünsten.



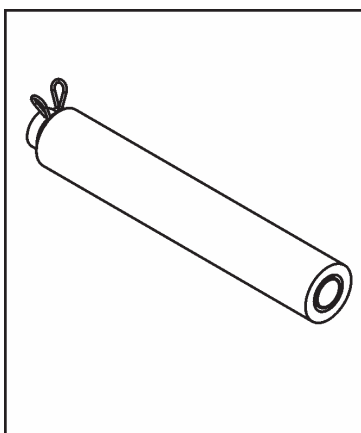
Achten Sie darauf, die Rohrleitungen nicht zu biegen und sie so kurz wie möglich zu halten, mindestens 3 Meter.



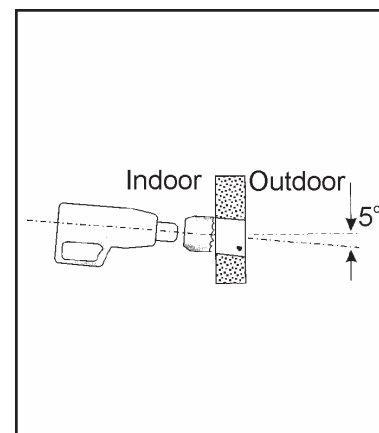
Die Herstellung einer Wasserfalle (Syphon) beugt schlechten Gerüchen vor



Befestigen Sie die Kabel des Stromkreises



Isolieren Sie denn Abflussschlauch

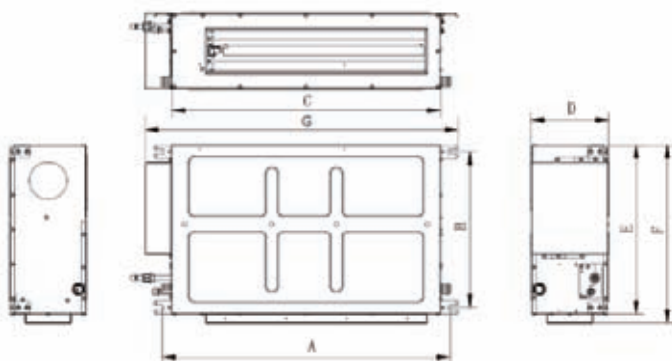


Bohren Sie das Loch in einem leichten Winkel um zu verhindern, dass Kondenswasser oder Regenwasser in den Raum zurückfliessen kann.

## LAGE DER EINHEIT

Achten Sie auf folgende Punkte bei der Wahl des Installationsortes der Inneneinheit:

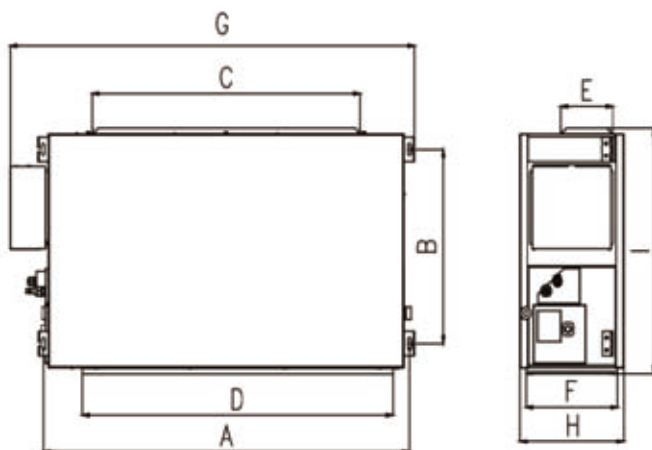
- Die Luftströmung zum gewählten Ort muss ungehindert sein.
- Die Rückluftströmung sollte so hoch wie möglich sein.
- Achten Sie auf eine sachgemäße Ableitung des Kondenswassers.
- In der Nähe von Schlafzimmern muss die Einheit schallgedämpt werden.
- An der Rückseite der Einheit muss ein Abstand von mindestens 200 mm zwischen der Einheit und der Wand
- Der Stromkasten muss frei zugänglich sein.
- Die Basis der Einheit muss leicht erreichbar sein und zwischen Decke und Einheit muss ebenfalls genug Zwischenraum gelassen werden.
- Schieben Sie Wellengummis unter die Einheit und die flexiblen Verbindungsstücke um Vibrationen vorzubeugen.



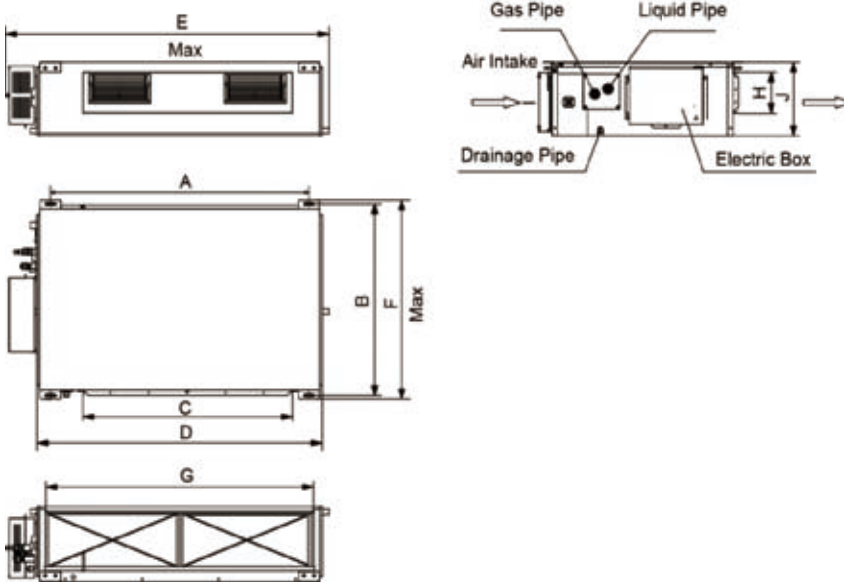
Model 12K

Unit: mm

Model	A	B	C	D	E	F	G
12	760	415	700	200	460	485	824



Model 18K

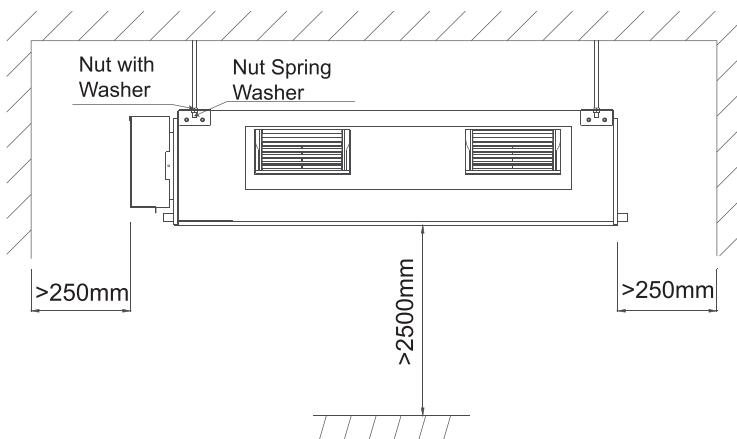


Model 24-60K

Unit: mm

Model	A	B	C	D	E	F	G	H	I	J
18	940	430	740	738	206	125	1015	275	720	
24/30	1101	515	820	1159	1260	555	1002	160	235	270
36/48	1011	748	820	1115	1230	790	979	160	231	290
60	1011	788	820	1115	1235	830	979	160	256	330

**FREIRAUM UM DIE EINHEIT UND DEN SERVICE-ZUGANG HERUM**





## INSTALLATION DER EINHEIT

- Setzen Sie 4 M10 oder 3/8" Gewindestangen in die Decke.
- Schieben Sie die Stangen durch die Schlitze der Aufhängung der Einheit.
- Befestigen Sie die Einheit mit Hilfe der Unterlegscheiben und Schrauben, nachdem Sie die Stossdämpfer eingesetzt haben.
- Sollte sich zwischen der Einheit und der Decke ein Zwischenraum gebildet haben, schieben Sie eine Gummipatte oder Neoprenplatte dazwischen.

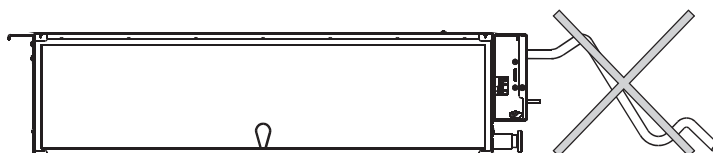
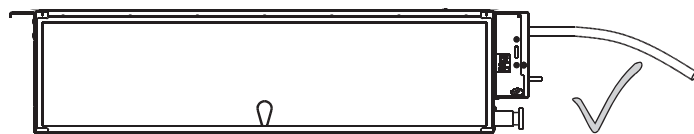
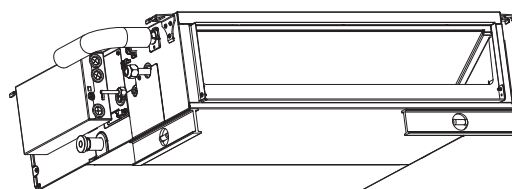
**WICHTIG** Die Einheit muss nivelliert werden.

## INSTALLATION DER WASSERABLEITUNG

### Allgemein

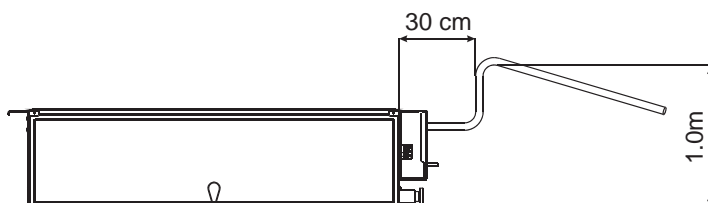
Achten Sie auf folgende Punkte, so dass das Wasserableitungssystem effizient funktioniert:

- Neigen Sie die Einheit immer um 2° zur Seite des Wasserabflusses.
- Benutzen Sie einen Abflussschlauch mit einem Durchmesser von ID 26 mm.
- Wir empfehlen, in der Nähe der Einheit einen Wasserabfluss von einem professionellen Installateur anlegen zu lassen.
- Der Schlauch muss immer mit einer Neigung von 1° geführt werden, um den Abfluss des Wasser sicherzustellen.
- An keiner Stelle darf der Schlauch nach oben geführt werden.
- Um das Eindringen unangenehmer Gerüche zu verhindern, fügen Sie einen Syphon hinzu.
- Installieren Sie den Abflussschlauch mit einer 6 mm dicken Wärmedämmung.



### Horizontaler Wasserabfluss

- Die Einheit verfügt über eine Drainagepumpe, die das Kondenswasser bis zu 100 cm über den niedrigsten Punkt anheben kann. Der Abflussschlauch ist an die obere Abflussöffnung angeschlossen.
- Die untere Abflussöffnung wird dazu benutzt, die Abfluswanne vor einer Wartung der Einheit zu leeren.
- Installieren Sie den Abflussschlauch mit einer 5 – 10 cm dicken Wärmedämmung um Tropfwasser zu verhindern..

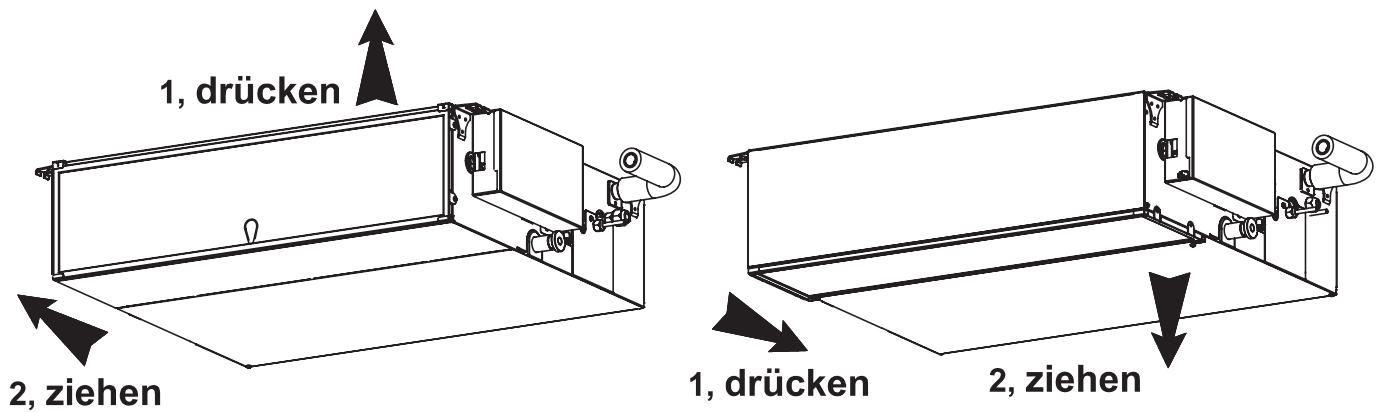


## LAGE DES LUFTFILTERS

Der Luftfilter befindet sich auf der Rückseite der Einheit (Standard bei Produktion), doch er kann leicht am Boden der Einheit eingesetzt werden, wenn dies notwendig ist.

## REINIGUNG DES LUFTFILTERS

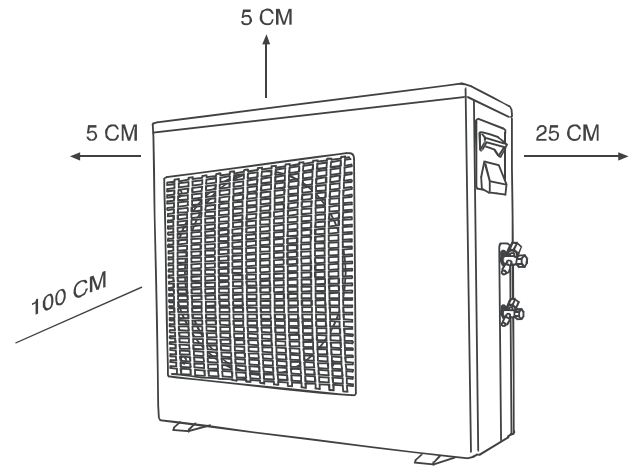
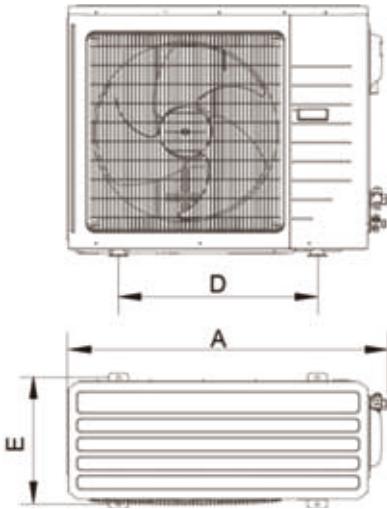
Um den Filter reinigen zu können, müssen Sie ihn aus der Einheit nehmen, indem Sie ihn in Richtung der Rückseite der Einheit drücken und dann wie unten gezeigt herausziehen.



# AUSSEINEINHEIT

## ABMESSUNGEN DER EINHEIT

## FREIRAUM UM DIE EINHEIT HERUM



DEUTSCH

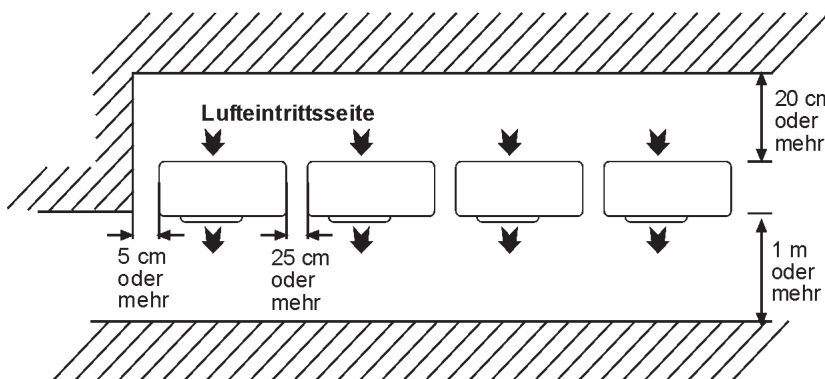
Unit: mm

KAPAZITÄT(KBtu/h)	A	B	C	D	E
12	848	320	540	540	286
18/24	955	395	700	560	360
30/36	980	425	790	610	395
48	1120	440	1100	631	400
60	980	410	1350	572	376

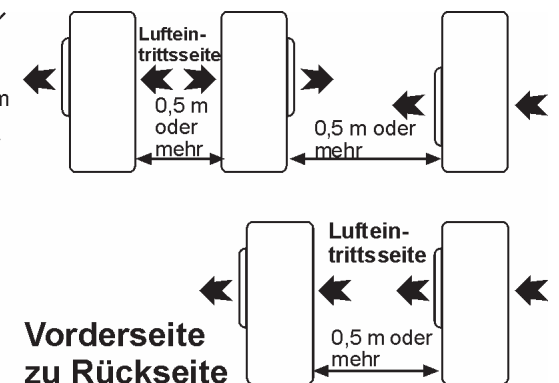
## VERSCHIEDENE INSTALLATIONSMÖGLICHKEITEN DER AUSSEINEINHEIT

Bei der Installation mehrerer Ausseneinheiten müssen Sie die Luftströmung um die Einheiten herum in Betracht ziehen und die Mindestabstände, die im folgenden Diagramm aufgeführt sind, einhalten.

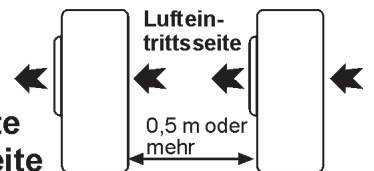
### Reiheninstallation



### Rücken zu Rücken Vorderseite zu Vorderseite



### Vorderseite zu Rückseite

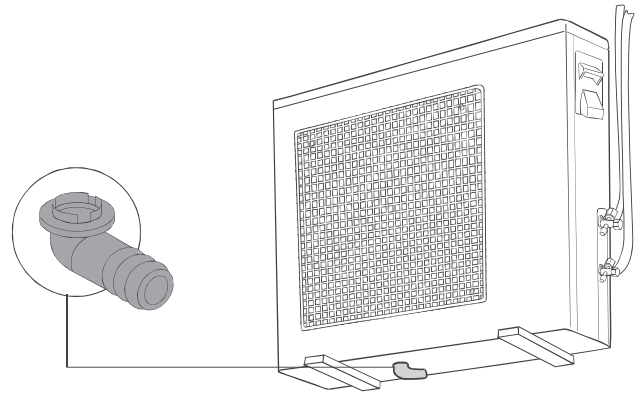


## ABLEITUNG DES KONDENSWASSERS DER AUSSENEINHEIT

Wenn Sie einen Abflusswinkel benutzen, sollte die Einheit auf ein mindestens 3 cm hohes Gestell gestellt werden.

Installieren Sie den Schlauch mit leichtem Gefälle, so dass das Wasser leicht abfließen kann.

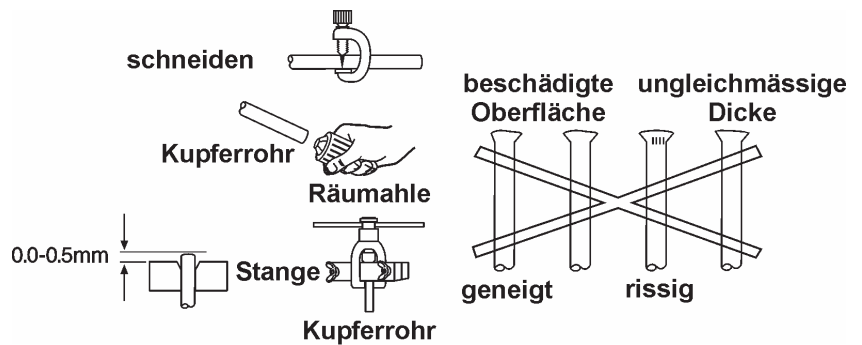
Benutzen Sie einen 16 mm I.D.-Schlauch zum Ableiten des Wassers



## ANSCHLUSS DER ROHRE

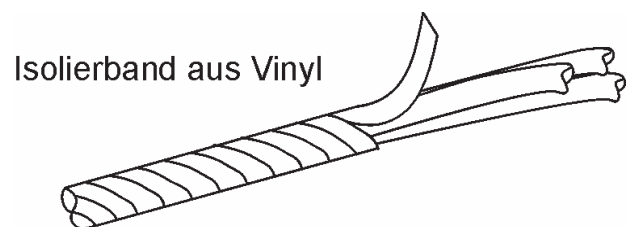
### SCHNEIDEN UND AUFDORNEN DER ROHRE

1. Benutzen Sie bitte eine Rohrschneidezange zum Schneiden der Rohre.
2. Entfernen Sie alle Schnittgrate mit Hilfe einer Räumahle. Wenn die Schnittgrate nicht entfernt werden, kann dies zu einem Gasaustritt führen! Drehen Sie die Rohrenden nach unten um zu verhindern, dass Metallstaub in die Rohre gelangt.
3. Nachdem Sie die Ringmutter in die Kupferrohre eingesetzt haben, führen Sie bitte eine Aufdornung aus. ,



### ROHRISOLIERUNG

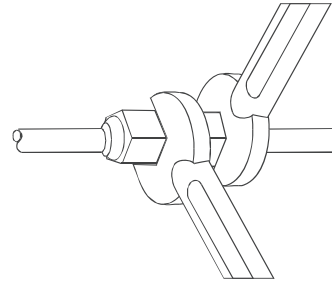
1. Führen Sie die Isolierung der Rohranschlüsse wie im Installationsdiagramm der Innen-/Ausseneinheit gezeigt aus. Umwickeln Sie die isolierten Rohrenden um zu verhindern, dass Wasser in die Rohre gelangt.
2. Wenn sich der Abflussschlauch oder Anschlussrohre im Zimmer befinden (auf denen sich Tau bilden kann), müssen Sie die Isolation durch POLY-E-SCHAUM mit einer Dicke von 9 mm oder mehr verstärken.



## ANSCHLIESSEN DER ROHRE AN DIE EINHEIT

### Anschluss an Inneneinheit

1. Richten Sie den Mittelpunkt der Rohre aus und ziehen die Ringmutter mit der Hand fest.
2. Danach ziehen Sie die Mutter mit Hilfe des Drehmomentschlüssels fest.



### Anschluss an Ausseneinheit

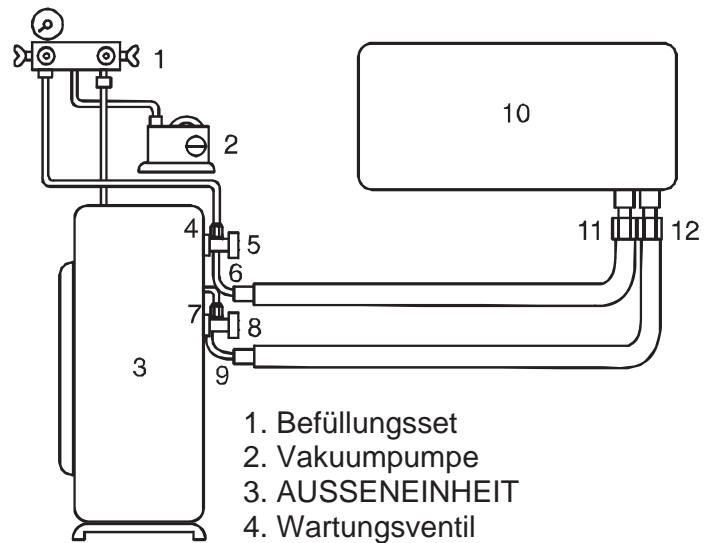
1. Richten Sie den Mittelpunkt der Rohre auf die Ventile aus.
2. Mit Hilfe des Drehmomentschlüssels ziehen sie jetzt die Ventile gemäss den Werten in der Tabelle fest.

Schlauch	Drehmoment
1/4"(Inch)	15-30 (N·m)
3/8"(Inch)	35-40 (N·m)
5/8"(Inch)	60-65 (N·m)
1/2"(Inch)	45-50 (N·m)
3/4"(Inch)	70-75 (N·m)
7/8"(Inch)	80-85 (N·m)

## HERSTELLUNG EINES VAKUUMS IN DEN ROHREN UND DER INNENEINHEIT

Nach Anschluss der Rohre an die Innen- und Ausseneinheit pumpen Sie die Luft aus den Schläuchen und der Inneneinheit:

1. Schliessen Sie die Befüllungsschläuche mit einem Druckpin an die unteren und oberen Seiten des Befüllungssets und Wartungsports der Saug- und Flüssigkeitsventile an. Achten Sie darauf, das Ende des Füllschlauchs mit Hilfe des Druckpins an den Wartungsport anzuschliessen.
2. Schliessen Sie den Zentrierschlauch des Befüllungssets an eine Vakuumpumpe an.
3. Schalten Sie die Vakuumpumpe an und vergewissern sich dann, dass sich die Nadel im Messgerät von 0 Mpa (0cm Hg) zu - 0.1 Mpa (-76 cm Hg) bewegt. Lassen Sie die Pumpe für 15 Minuten laufen.
4. Schliessen Sie die Ventile der niedrigen und hohen Seiten des Befüllungssets und schalten dann die Vakuumpumpe ab. Achten Sie darauf, dass die Nadel im Messgerät sich nach etwa 5 Minuten nicht mehr bewegt.
5. Trennen Sie den Füllschlauch von der Vakuumpumpe und den Wartungsports der Saug- und Flüssigkeitsventile.
6. Entfernen Sie die Kappen der Wartungsports von den Ventilen und öffnen sie mit Hilfe des Sechskant-Inbusschlüssels.
7. Entfernen Sie die Venti kappen von beiden Ventilen und öffnen Sie mit Hilfe des Sechskant-Inbusschlüssels.
8. Setzen Sie die Venti kappen wieder auf die Ventile.
9. Überprüfen Sie die Ventilkappen auf mögliche Gaslecks.  
Benutzen Sie entweder einen elektronischen Lecksucher oder einen in Seifenwasser getauchten Schwamm, mit dessen Hilfe sie etwaige Gasblasen aufspüren können.



1. Befüllungsset
2. Vakuumpumpe
3. AUSSENEINHEIT
4. Wartungsventil
5. Kappe
6. Saugventil
7. Wartungsventil
8. Kappe
9. Flüssigkeitsventil
10. INNENEINHEIT
11. Saugringverbindung
12. Flüssigkeitsringverbindung

*HINWEIS: Siehe die Tabelle für die Ausseneinheit für die weitere Befüllung verschiedener Schlauchlängen.*

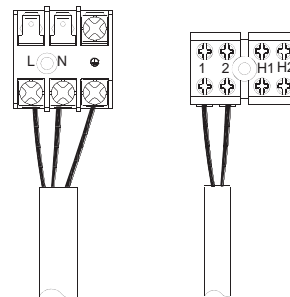
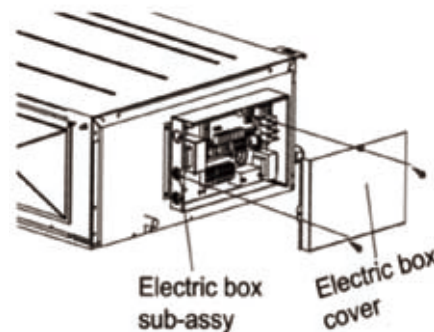
## STROMVERSORGUNG

Elektrische Installationen u Anschlüsse dürfen nur von zugelassenen Elektrikern im Einklang mit den örtlichen Vorschriften ausgeführt werden. Die Klimaanlage muss geerdet werden.

Die Klimaanlage-Einheiten müssen an eine passende Steckdose einer separaten Verzweigungsleitung, die mit einem Verzögerungs-Schutzschalter versehen ist, angeschlossen werden, wie auf dem Aufkleber der Einheit aufgeführt.

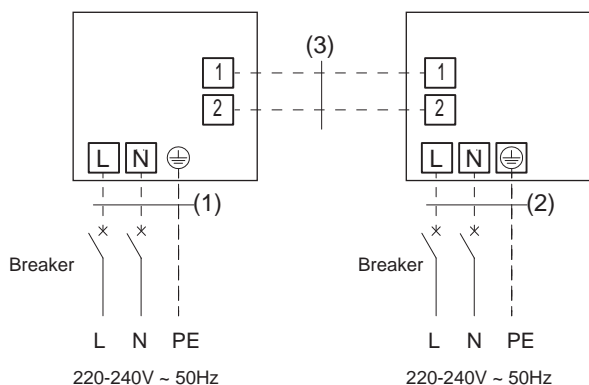
Die Spannung sollte nicht mehr als  $\pm 10\%$  von der Nennspannung abweichen.

1. Bereiten Sie die Mehrdraht-Kabelenden für den Anschluss vor.
2. Nehmen Sie die Abdeckung von der Innen-/Ausseneinheit ab und öffnen das Terminal. Lösen Sie die Schraube der Kabelklemme und drehen sie um.
3. Schliessen Sie die Kabelenden an die Terminals der Innen- und Ausseneinheit an.
4. Schliessen Sie das andere Ende des Doppeldrahtkabels an das Doppeldrahtterminal der Ausseneinheit an.
5. Sichern Sie die Mehrdraht-Stromkabel mit den Kabelklemmen.



12/18/24/30 KBtu/h (1Ph)

AUSSENGERÄT      INNENGERÄT



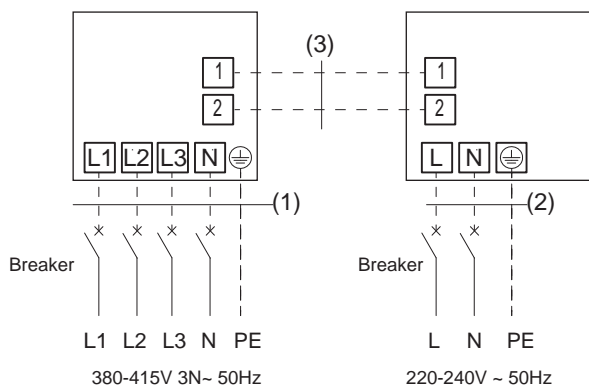
Model 12K
①. Stromversorgungskabel(ODU)3x2.5mm <sup>2</sup> (H07RN-F)
②. Stromversorgungskabel(IDU) 3x1.0mm <sup>2</sup> (H05RN-F)
③. Verbindungskabel 2x0.75mm <sup>2</sup> (H05RN-F)

Model 18K
①. Stromversorgungskabel(ODU)3x2.5mm <sup>2</sup> (H07RN-F)
②. Stromversorgungskabel(IDU) 3x1.0mm <sup>2</sup> (H05RN-F)
③. Verbindungskabel 2x0.75mm <sup>2</sup> (H05RN-F)

Model 24/30K
①. Stromversorgungskabel(ODU)3x4.0mm <sup>2</sup> (H07RN-F)
②. Stromversorgungskabel(IDU) 3x1.0mm <sup>2</sup> (H05RN-F)
③. Verbindungskabel 2x0.75mm <sup>2</sup> (H05RN-F)

36/48/60 KBtu/h (3Ph)

AUSSENGERÄT      INNENGERÄT



Model 36K
①. Stromversorgungskabel(ODU)5x1.5mm <sup>2</sup> (H07RN-F)
②. Stromversorgungskabel(IDU) 3x1.0mm <sup>2</sup> (H05RN-F)
③. Verbindungskabel 2x0.75mm <sup>2</sup> (H05RN-F)

Model 48/60K
①. Stromversorgungskabel(ODU)5x2.5mm <sup>2</sup> (H07RN-F)
②. Stromversorgungskabel(IDU) 3x1.0mm <sup>2</sup> (H05RN-F)
③. Verbindungskabel 2x0.75mm <sup>2</sup> (H05RN-F)



## ANZEIGE- UND STEUEREINHEIT

### WAHL DES INSTALLATIONSORTES

Wir empfehlen, die Anzeigeeinheit in der Nähe der Decke an einer zentralen und neutralen Stelle mit normalen Umgebungsbedingungen zu installieren. Zusätzlich sollte der ästhetische Aspekt in Betracht gezogen werden. Die Anzeigeeinheit wird mit einem Übertragungskabel mit dem Hauptsteuerplatte auf der Klimaanlage (der Inneneinheit) verbunden. Das Kabel wird über einen Schnellanschluss (8-Pin-Stecker) mit der Anzeigeeinheit verbunden.

### BEFESTIGUNG DER ANZEIGEEINHEIT AN DER WAND

Bohren Sie ein Loch mit einem Durchmesser von 12 mm in die Wand zur Verlegung des Übertragungskabels.

Öffnen Sie die Abdeckung der Einheit, bohren 3 Löcher in die Wand, die den Löchern in der Anzeigeeinheit entsprechen, setzen dann die Einsätze ein und schrauben die Einheit mit 3 Schrauben an der Wand fest.

Die Anzeigeeinheit wird mit einem speziellen 7 Meter langen Übertragungskabel, an dessen Ende sich ein Stecker befindet, geliefert. Dieses Kabel ist im Gehäuse an eine Abzweigdose angeschlossen, über die die Klimaanlage von verschiedenen Räumen aus bedient werden kann. Jeder dieser Räume muss über seine eigene Anzeigeeinheit verfügen.

Schliessen Sie den Schnellanschluss an einen passenden Stecker auf der Hauptsteuerplatte im Schaltkasten der Inneneinheit an.



#### **WARNUNG**

Der Stecker sollte nicht vom Übertragungskabel abgetrennt werden, wenn die Länge des Kabels nicht ausreichend ist. In solch einem Falle können Sie ein 5 Meter langes Verlängerungskabel anschliessen.

### ERWÄGUNGEN BEZÜGLICH DER PLAZIERUNG DER FERNBEDIENUNG

- a) Platzieren Sie die Fernbedienungseinheit so, dass sie sich, in die Halterung gesetzt, in einer direkten Sichtlinie mit der Anzeigeeinheit befindet (höchstens 8 Meter Abstand).
- b) Wir empfehlen, den endgültigen Installationsort der Fernbedienungshalterung erst nach der ersten Inbetriebnahme festzulegen. So können Sie erst überprüfen, ob die Signalübertragung zwischen der Fernbedienung und der Anzeigeeinheit auch gut funktioniert.

# Kontrollliste vor Inbetriebnahme

## ÜBERPRÜFUNG DES WASSERABFLUSSES

Giessen Sie Wasser in das Wasserabflussbecken – Schaumstoff. Vergewissern Sie sich, dass das Wasser über den Abflussschlauch aus der Inneneinheit abläuft.

## BEURTEILUNG DER ARBEITSLEISTUNG

Lassen Sie die Klimaanlage für mindestens 15 Minuten im Kühlmodus und mit hoher Ventilatorgeschwindigkeit laufen. Messen Sie die Temperatur der angesaugten und austretenden Luftströmung. Vergewissern Sie sich, dass der Unterschied zwischen der Temperatur der angesaugten und austretenden Luftströmung mehr als 8°C beträgt.

## ZU BEANTWORTENDE FRAGEN

- Gibt es ein Gasleck an den Ringmutter-Anschlussstellen?
- Wurde die Wärmedämmung an den Ringmutter-Anschlussstellen ordnungsgemäß ausgeführt?
- Wurde das Anschlusskabel ordnungsgemäss an das Terminal angeschlossen?
- Wurde das Anschlusskabel ordnungsgemäss festgeklemmt?
- Ist der Wasserabfluss in Ordnung? (Siehe Abschnitt "Überprüfung des Wasserabflusses")
- Wurde die Klimaanlage ordnungsgemäß geerdet?

- Wurde die Inneneinheit ordnungsgemäß an der Decke installiert?
- Entspricht die Betriebsspannung dem vorgegebenen Wert?
- Ist ein ungewöhnliches Geräusch zu hören?
- Ist die Kühlleistung normal?
- Funktioniert der Temperaturregler einwandfrei?
- Funktioniert die LC-Anzeige der Fernbedienung einwandfrei?

## Climatiseur Gainable (A commande électronique)

### R410A



FRANCAIS

FRANCAIS

Climatiseur Gainable DAF

CE

# Pour commencer...

## LISTE D'OUTILS REQUIS

- |   |   |                    |
|---|---|--------------------|
| 1. Tournevis  | 8. Indicateur de fuite de Gaz             | 15. Clé de serrage |
| 2. Fraise électrique,<br>Foret de noyau d'orifice (60 mm) | 9 Mètre à ruban                           | 18 Nm (1.8 kgf.m)  |
| 3. Clé de serrage hexagonale                              | 10. Thermomètre                           | 45 Nm (4.5 kgf.m)  |
| 4. Clé pour contre-écrou                                  | 11. Mégamètre                             | 65 Nm (6.5 kgf.m)  |
| 5. Coupe tube   | 12. Multimètre                            | 75 Nm (7.5 kgf.m)  |
| 6. Alésoir  | 13. Pompe à vide                          | 85 Nm (8.5 kgf.m)  |
| 7. Couteau  | 14. Collecteur de mesure<br>(pour R-410A) |                    |

## ATTENTION

- Choix de l'emplacement de l'unité.  
Choisir un emplacement qui soit rigide et suffisamment solide pour supporter l'unité, et qui permette un maintien facile.
- Ne pas libérer de réfrigérant pendant le travail de tuyauterie d'installation, de réinstallation et pendant la réparation de pièces de réfrigération. Faites attention au liquide réfrigérant, il risque de geler.
- Travail d'installation. Il est possible que le travail d'installation nécessite deux personnes.
- N'installez pas cet appareil dans une buanderie ou dans un local humide dans lequel l'eau risque de s'égoutter du plafond, etc.

## PORTÉE DE TEMPÉRATURE DE FONCTIONNEMENT

ON-OFF		Intérieur		Extérieur	
		DB[°C]	WB[°C]	DB[°C]	WB[°C]
Refroidissement	Limite supérieure	32	23	43	NA
	Limite inférieure	21	15	-15	NA
Chauffage	Limite supérieure	27	NA	24	18
	Limite inférieure	10	NA	-10	-11

## Contents:

Outillage d'installation/de service .....	5	Connexions de tuyaux.....	16
Accessoires reliés .....	7	Coupage et évasement de tuyaux .....	16
Données générales .....	8	Isolation de tuyaux.....	16
Précautions générales .....	10	Connexions des tuyaux à l'unité .....	17
Unité intérieure .....	11	Evacuation des tuyaux et de l'unité intérieure.....	18
Emplacement de l'unité.....	12	Connexions électriques .....	19
Installation de l'unité.....	13	Unité de contrôle d'affichage .....	21
Installation du système de drainage.....	13	Liste de contrôle avant la mise en marche .....	22
Emplacement du Filtre à air .....	14		
Unité extérieure .....	15		
Dimensions de l'unité .....	15		
Installation d'unités extérieures multiples	15		
Evacuation d'eau condensée de l'unité extérieure .....	16		

## Mesures de sécurité

Lisez "LES MESURES DE SECURITE" suivantes avant l'installation. Le travail électrique doit être fait par un électricien qualifié. Vérifiez que les caractéristiques assignées de la prise de courant et du circuit principal utilisés soient appropriées au modèle à installer. Les rubriques de précaution spécifiées ici doivent être respectées car leur important contenu est relié à la sécurité. La signification de chaque indication utilisée est comme suit.

Une installation incorrecte ignorant les instructions sera nuisible et causera un dommage, et la gravité du dommage est classifiée selon les indications suivantes: Exécuter le test pour confirmer qu'il n'y a pas d'anomalie après l'installation. Ensuite, expliquez à l'utilisateur le fonctionnement, le soin et le maintien comme spécifié dans les instructions. Veuillez rappeler au client de conserver les instructions de fonctionnement pour référence future.

**Les rubriques à respecter sont classifiées par les symboles suivants:**



**AVERTISSEMENT**




Cette indication illustre la possibilité de causer la mort ou une blessure grave.

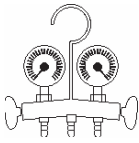
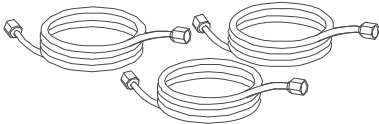


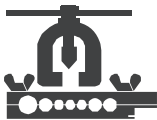



Un symbole avec un arrière fond blanc dénote une action DEFENDUE.



## WARNING

1. Utilisez un monteur qualifié et suivez strictement les instructions, autrement cela entraînera un choc électrique, une fuite d'eau, ou un problème d'ordre esthétique.
2. Installez l'appareil dans un emplacement solide et stable, capable de supporter le poids de l'appareil. Si le support n'est pas assez solide, ou si l'installation n'est pas faite convenablement, l'appareil tombera et causera une blessure.
3. Pour le travail d'électricité, suivez la norme d'installation, le règlement et les directives d'installation nationales locales. Il faut utiliser un circuit indépendant et une sortie unique. Si la capacité du circuit électrique n'est pas suffisante, cela causera un choc électrique ou un incendie.
4. Utilisez le câble spécifié et branchez convenablement pour la connexion intérieure/extérieure. Branchez convenablement et serrez le câble de manière à ce qu'aucune force n'agisse sur la borne. Si la connexion ou le serrage n'est pas parfait, cela causera un réchauffement ou un incendie au niveau de la connexion.
5. Le routage des fils doit être convenablement disposé de manière à ce que le couvercle du tableau de contrôle soit convenablement fixé. Si le couvercle du tableau de contrôle n'est pas parfaitement fixé, cela causera un réchauffement au point de connexion de la borne, un incendie ou un choc électrique.
6. Avant d'obtenir un accès aux bornes, tous les circuits d'alimentation en courant doivent être débranchés.
7. Pendant le branchage de la tuyauterie, prenez soin d'empêcher toute substance aérienne autre que le réfrigérant spécifié de pénétrer dans le cycle de réfrigération, ce qui entraînerait une plus faible capacité, une pression anormalement élevée dans le cycle de réfrigération, une explosion ou une blessure. 
8. N'endommagez pas le cordon d'alimentation en courant ou n'utilisez pas un cordon non spécifié. ce qui causerait un incendie ou un choc électrique. 
9. Ne modifiez pas la longueur du cordon d'alimentation en courant ou n'utilisez pas un cordon d'extension, et ne partagez pas la sortie unique avec d'autres appareils électriques. Autrement cela causerait un incendie ou un choc électrique.
10. Cet équipement doit être mis à la masse. Si la mise à la masse n'est pas parfaite, cela risque de causer un choc électrique. 
11. N'installez pas l'unité dans un endroit où il y a un risque de fuite de gaz inflammable. Des fuites et des accumulations de gaz à proximité de l'unité risquent de causer un incendie.
12. Installez la tuyauterie de drainage comme mentionné dans la notice d'installation. Si le drainage n'est pas parfait, l'eau risque de pénétrer dans la chambre et d'endommager les meubles.
13. Si le cordon d'alimentation en courant est endommagé, il doit être remplacé par le fabricant, son agent de service ou des personnes qualifiées dans ce but afin d'éviter un danger.

Outillage d'installation/de Service pour R410A	Changements
Collecteur de mesure 	Etant donné que la pression de service est élevée, il est impossible de mesurer la pression de service à l'aide de jauges conventionnelles. Afin d'éviter que tout autre réfrigérant ne soit chargé, les diamètres d'entrée ont été modifiés.
Tuyau de Charge 	Afin d'augmenter la force de résistance à la pression, les matériaux des tuyaux et les dimensions des orifices ont été modifiés (à 1/2 UNF 20 filets par pouce). Pendant l'achat d'un tuyau de charge, prenez soin de confirmer la dimension de l'orifice.
Echelle électronique pour chargement de réfrigérant 	Etant donné que la pression est élevée et que la vitesse de gazéification est rapide, il est difficile de lire la valeur indiquée à l'aide de la bouteille de chargement, en raison de la formation de bulles d'air.
Clé de serrage (diamètre nominal 1/2, 5/8) 	La dimension des écrous d'évasement opposés a été augmentée. A propos, une clé normale est utilisée pour des diamètres nominaux de 1/4 et de 3/8.
Outil d'évasement (de type enclenchement) 	En augmentant la dimension des orifices adaptés aux barres de fixation, la force du ressort dans l'outil a été améliorée.
Jauge d'ajustage de projection	Utilisé quand l'évasement est fait par un outil d'évasement conventionnel.
Adaptateur de pompe de vide & soupape de contrôle	Branché à une pompe de vide conventionnelle. Il est nécessaire d'utiliser un adaptateur afin d'éviter que l'huile de la pompe de vide ne revienne en arrière dans le tuyau de charge. La pièce de connexion du tuyau de charge comprend deux ouvertures – l'une pour le réfrigérant conventionnel (7/16 UNF 30 filets par pouce) et l'autre pour le R410A. Si l'huile de la pompe de vide (minéraux) se mélange au R410A, de la boue risque de se former et d'endommager l'équipement.
Indicateur de fuite de gaz 	Exclusif pour réfrigérant HFC.

FRANCAIS

A propos, la" bouteille de réfrigérant est fournie avec la désignation du réfrigérant (R410A) et un revêtement de protection de couleur rose spécifiée ARI U.S (code de couleurs ARI: PMS 507). En plus," l'orifice de charge et l'emballage de la bouteille de réfrigérant" requièrent une dimension de 1/2 UNF 20 filets par pouce correspondant à la dimension de l'orifice du tuyau de charge.

## **PRECAUTION: Installation de climatiseur R410A**

---

CE CLIMATISEUR ADOPTE LE NOUVEAU REFRIGERANT HFC (R410A) QUI NE DETRUIT PAS LA COUCHE D'OZONE. le réfrigérant R410A peut être affecté par des impuretés telles que l'eau, une membrane oxydante et des huiles, car la pression de service du réfrigérant R410A est de 1.6 fois celle du réfrigérant F22 approximativement. Accompagnée du nouveau réfrigérant, l'huile de la machine de réfrigération a aussi été modifiée. C'est pourquoi, pendant le travail d'installation, Il faut vérifier que l'eau, la poussière le réfrigérant précédent ou l'huile de la machine de réfrigération ne pénètre pas dans le circuit de climatiseur du nouveau réfrigérant de type R410A. Afin d'éviter le mélange de réfrigérant et d'huile de machine de réfrigération, les dimensions des sections de branchement de l'ouverture de charge sur l'unité principale et des outils d'installation sont différentes de celles utilisées pour les unités de réfrigération conventionnelles. En conséquence, des outils spéciaux sont requis pour les nouvelles unités de réfrigérant (R410A). Pour les tuyaux de raccordement, utilisez de nouveaux matériaux propres de tuyauterie avec des installations de haute pression destinés uniquement au R410A.

Evitez de décharger du **R410A** dans l'atmosphère: **R410A** est un gaz de serre fluoré, couvert par le protocole de Kyoto, avec un potentiel de réchauffement global (GWP) = **1730**.

En plus, n'utilisez pas de tuyaux existants car il y a souvent des problèmes avec les installations de pression et la tuyauterie existante peut éventuellement contenir des impuretés.

### **Modifications dans le produit et ses composants**

Dans les climatiseurs qui utilisent le R410A, afin d'éviter que d'autres réfrigérants ne soient chargés par accident, la dimension du diamètre de l'orifice de service de la soupape de contrôle de l'unité extérieure (soupape à trois directions) a été modifiée (1/2 UNF 20 filets par pouce).

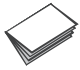
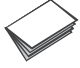
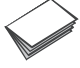







Afin d'augmenter la force de résistance de pression de la tuyauterie du réfrigérant, les dimensions du diamètre de traitement d'évasement et des écrous d'évasement opposés ont été modifiées. (pour les tuyaux en cuivre de dimensions normales 1/2 et 5/8).

En cas de soudage de tuyaux, Veuillez utiliser de l'azote sec à l'intérieur des tuyaux.

Utilisez un tuyau de cuivre d'une épaisseur spéciale pour R410A: 1/4"-  
1/2" 0.8 mm  
5/8"-3/4" 1 mm



## ACCESSOIRES INTEGRES

Description	Quantité	Nom	Usage
	1	Manuel d'installation du technicien	Notice d'installation
	1	Manuel d'instructions de commande à distance	Instructions de fonctionnement à distance
	1	Manuel d'instructions d'affichage d'unité	Instructions de fonctionnement
	1	Command à distance batteries d'accumulateurs comprises	Mise en marche du climatiseur
	1	Support de commande à distance	Pendre la commande à distance au mur
	1	Ecran de contrôle central	Fonctionnement de l'écran de service principal
	4	Attaches à tête d'équerre	Fixer les câbles électriques des unités intérieure et extérieure
	4 each	Platoirs - vis - rondelles	Installer les supports pour la commande à distance et l'écran de contrôle central
	1	Coude de drainage	connecter le tuyau de drainage à l'extérieur
	1+1	Isolation de tuyauterie de gaz	Isolation supplémentaire sur les deux connexions de gaz

### Unité intérieure

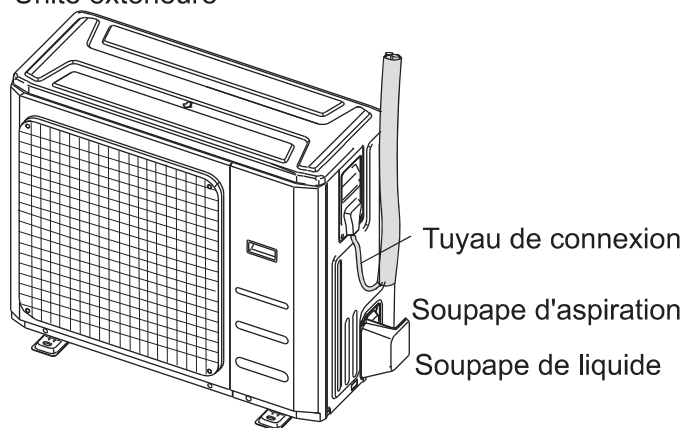
L'unité peut être installée comme une unité cachée sur un faux plafond

Etant donné que l'unité est une unité cachée et non une unité canalisée, il est extrêmement important que la longueur des canaux soit adaptée à la pression statique extérieure permise dans le tableau en page 9.

### Installation horizontale



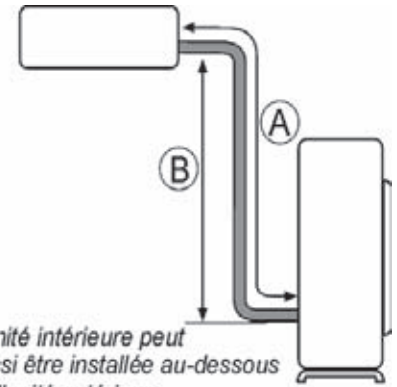
### Unité extérieure



## DONNEES GENERALES

### PRESSION STATIQUE EXTERIEURE - Pa

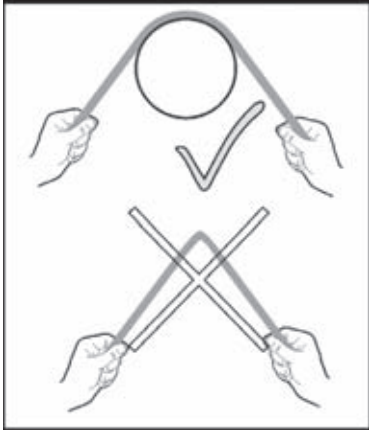
CAPACITE NOMINALE	NOMINALE	MAX
12	25	25
18/24	25	30
30	37	50
36	37	75
48/60	50	100



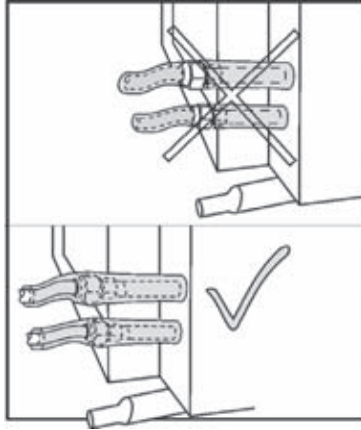
### MAXIMALE TUBE longueur et Hauteur

CAPACITE (KBtu/h)	TUBE LIQUIDE -GAZ (Inch)	A- L.MAX (m)	B - H.MAX (m)	LONGUEUR DE PRECHARGE (m)	CHARGE SUPPLÉMENTAIRES (g/m)
12	1/4"-1/2"	20	15	7	10
18	1/4"-1/2"	25	15	7	18
24	3/8"-5/8"	30	15	7	54
30	3/8"-5/8"	30	15	7	54
36	3/8"-3/4"	30	15	7	54
48	1/2"-3/4"	50	30	7	90
60	1/2"-3/4"	50	30	9.5	90

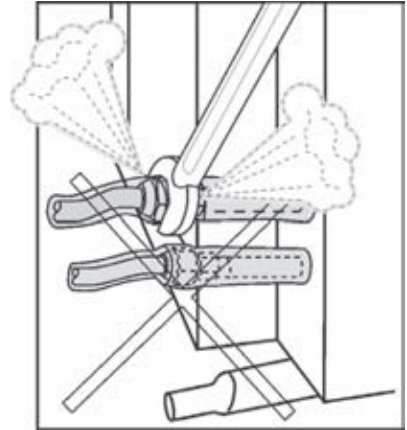
## PRECAUTIONS GENERALES



Utilisez toujours le support d'un cylindre à grand rayon pour le cerclage des tuyaux, à l'aide d'outils de flexion de tuyaux.



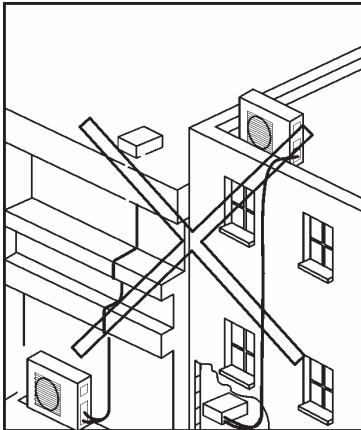
Ne pas laisser d'écrous de tuyaux de gaz découverts. Isoler les connexions à l'aide de l'isolant de tuyaux fourni.



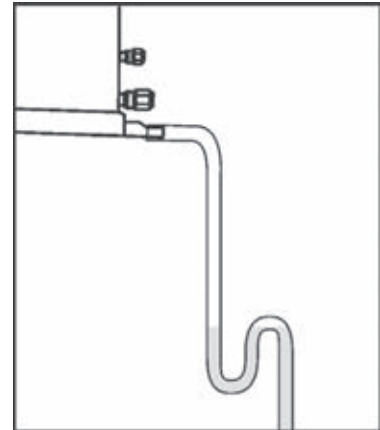
Ne dévissez pas les tuyaux de gaz après l'installation.



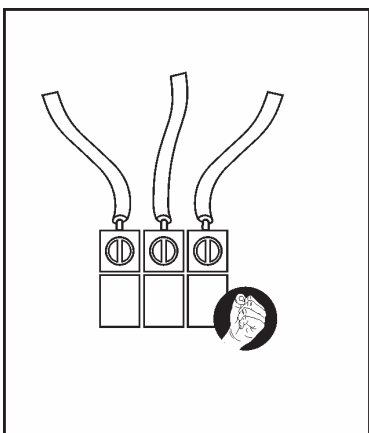
Évitez de placer l'unité intérieure à proximité de brume d'eau ou d'huile.



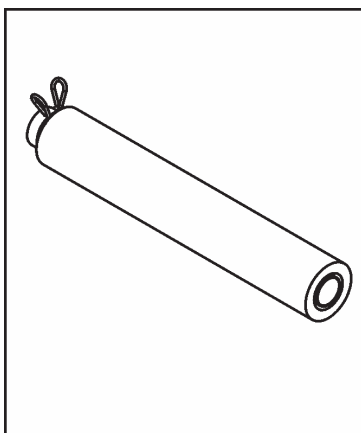
Éviter la flexion de tuyau et laissez-les aussi courts que possible, 3 mètres au minimum.



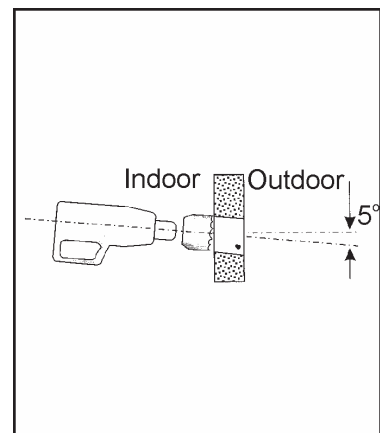
Un dispositif de collecteur d'eau (Siphon) évitera les mauvaises odeurs



Serrer les câbles des circuits électriques



Isoler le tuyau de drainage



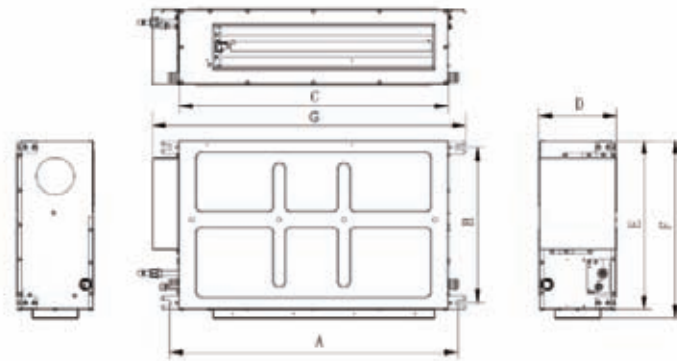
Forer l'orifice en biais afin d'éviter qu'un condensat ou une pluie d'eau ne pénètre à nouveau dans la chambre.

**EMPLACEMENT DE L'UNITE**

Au moment de choisir l'emplacement pour l'unité intérieure:

- a. Faites circuler un courant d'air maximal en direction de l'espace choisi.
- b. Faites circuler un courant d'air de retour maximal.
- c. Veillez à un drainage suffisant d'eau de condensat.
- d. Veillez à une réduction de bruit à proximité des chambres à coucher.
- e. Aménagez un espace libre minimal de 200mm du côté arrière de l'unité.
- f. Veillez à assurer un accès de service libre au coffret de branchement.
- g. Veillez à assurer un accès facile vers la base de l'unité intérieure tout en fournissant suffisamment d'espace à partir du plafond.
- h. Utiliser un caoutchouc denté sous l'unité et des joints flexibles pour éviter des vibrations de résonance.

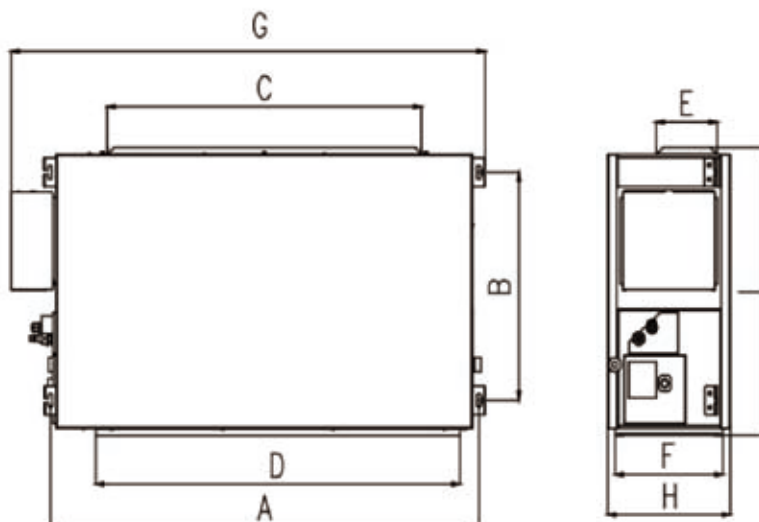
**DIMENSIONS DE L'UNITE**



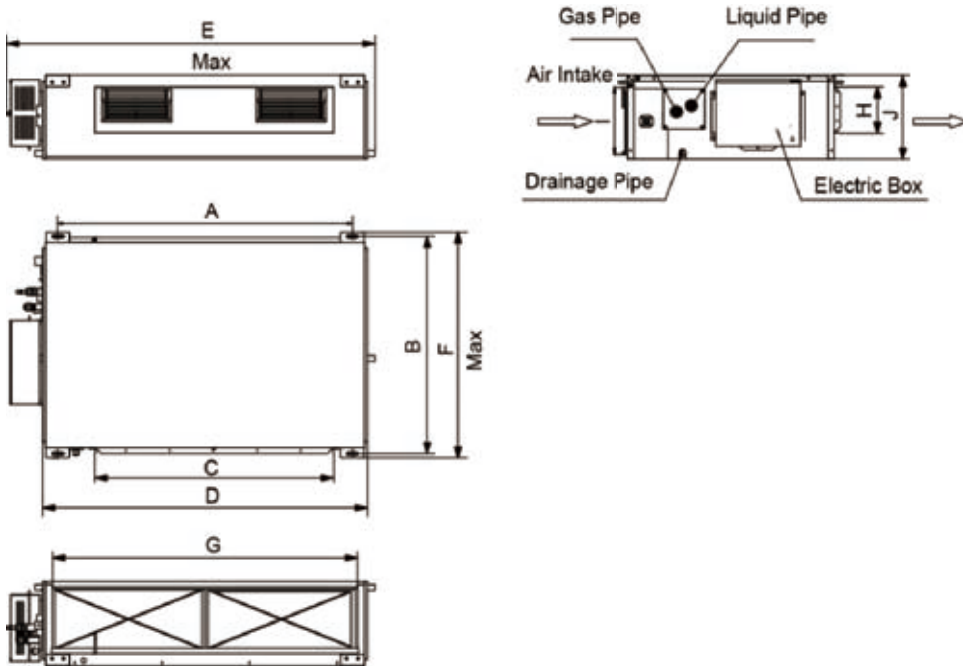
Model 12K

Unit: mm

Model	A	B	C	D	E	F	G
12	760	415	700	200	460	485	824



Model 18K

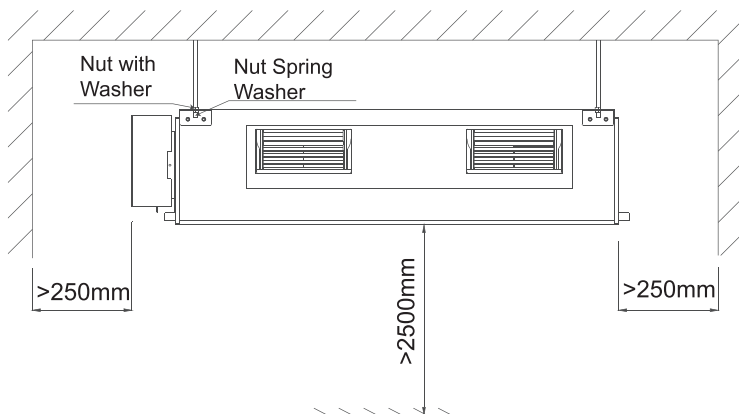


Model 24-60K

Unit: mm

Model	A	B	C	D	E	F	G	H	I	J
18	940	430	740	738	206	125	1015	275	720	
24/30	1101	515	820	1159	1260	555	1002	160	235	270
36/48	1011	748	820	1115	1230	790	979	160	231	290
60	1011	788	820	1115	1235	830	979	160	256	330

**DISTANCE D'ISOLEMENT AUTOUR DE L' UNITE ET ACCES DE SERVICE**



## INSTALLATION DE L'UNITÉ

- Insérer des tiges filetées 4 M10 ou 3/8" dans le plafond.
- Introduire les tiges par les orifices des supports de suspension de l'unité.
- Placer les amortisseurs, ajouter les rondelles et visser les écrous jusqu'à ce que l'unité soit fermement supportée.
- En cas d'intervalle entre l'unité et le plafond, placer une feuille de caoutchouc ou de néoprène.

**IMPORTANT** L'unité doit être parfaitement nivelée

## INSTALLATION DU SYSTEME DE DRAINAGE

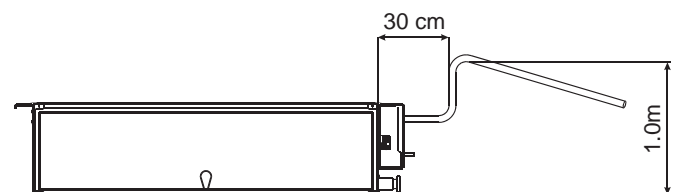
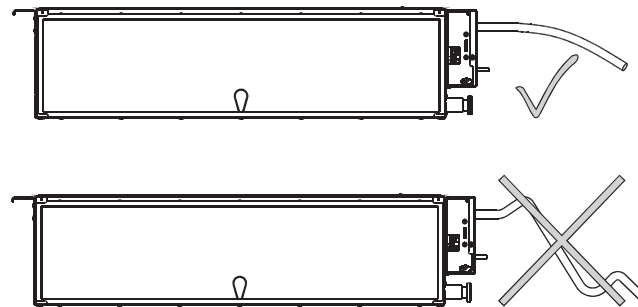
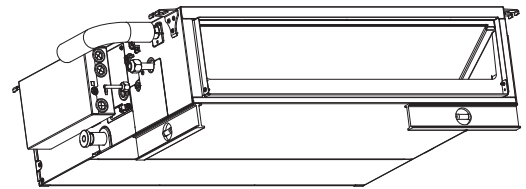
### Généralités

Pour un bon fonctionnement du système de drainage, veuillez suivre les consignes suivantes:

- Toujours maintenir l'unité en équilibre avec  $2^{\circ}$  d'inclinaison descendante vers le côté de drainage de l'unité.
- Utiliser un tuyau de drainage de ID=26mm.
- Il est recommandé de faire préparer un point de drainage par un plombier qualifié à proximité de l'unité.
- Pour un bon drainage, le passage doit être planifié avec une inclinaison descendante de  $1^{\circ}$ .
- Eviter toute sorte de flot ascendant ou renversé dans toutes les parties de l'unité.
- Afin d'éviter les mauvaises odeurs dans la chambre, installez un siphon dans l'installation.
- Installer le tuyau de drainage avec un manchon d'isolation thermique de 6mm d'épaisseur.

### Drainage horizontal

- L'unité comprend une pompe de drainage qui peut soulever de l'eau de condensat jusqu'à 100cm à partir du niveau le plus bas. Le tuyau de drainage est branché à l'éjecteur de drainage supérieur.
- Le rôle de l'éjecteur de drainage inférieur est de vider le bac de drainage avant l'entretien de l'unité.
- Installer le tuyau de drainage avec un manchon d'isolation thermique de 5-10mm d'épaisseur afin d'éviter des égouttements.

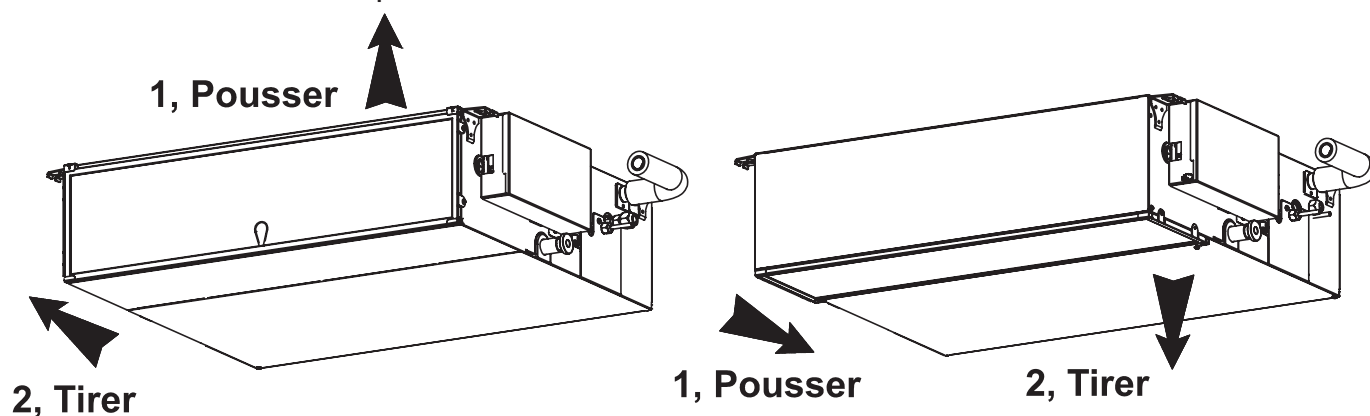


## EMPLACEMENT DU FILTER A AIR

Le filtre d'air est situé du côté arrière de l'unité (réglé en usine) mais il peut être facilement transféré au bas de l'unité si nécessaire.

## NETTOYAGE DU FILTRE A AIR

Pour nettoyer le filtre à air, démontez-le en poussant vers le haut le côté arrière de l'unité et retirez-le comme indiqué ci-dessous.

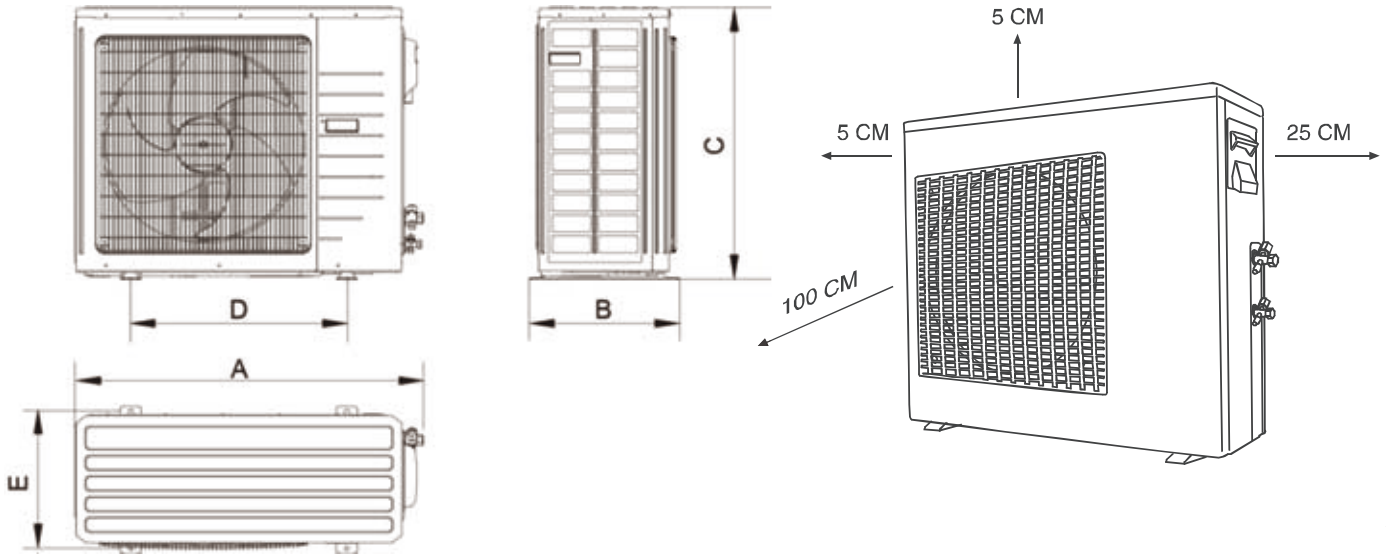




# UNITE EXTERIEURE

## DIMENSIONS DE L'UNITE

## ESPACE LIBRE A PROXIMITE DE L'UNITE



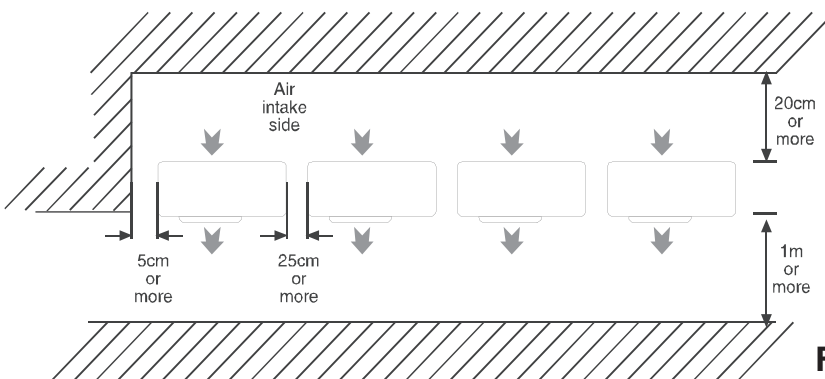
Unit: mm

CAPACITE (KBtu/h)	A	B	C	D	E
12	848	320	540	540	286
18/24	955	395	700	560	360
30/36	980	425	790	610	395
48	1120	440	1100	631	400
60	980	410	1350	572	376

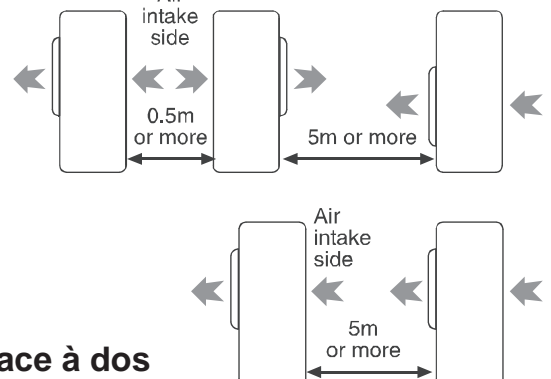
## INSTALLATION D'UNITES EXTERIEURES MULTIPLES

Pendant l'installation d'unités extérieures multiples, veuillez prendre en ligne de compte le flot d'air autour des unités et respecter les suggestions relatives aux distances minimales, comme indiqué dans les diagrammes ci-dessous.

### Installation en ligne



### Dos à dos Face à face



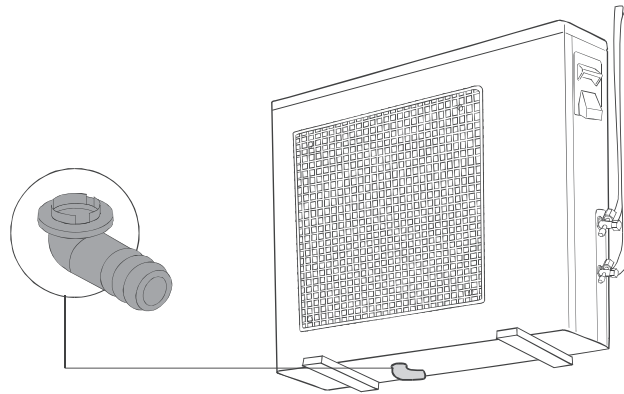
### Face à dos

## EVACUATION D'EAU CONDENSEE DE L'UNITE EXTERIE

Au cas où vous utilisez un coude de drainage, il faudra placer l'unité sur un support de 3cm de haut au minimum.

Installer le manchon vers le bas afin de faciliter le flot de l'eau de drainage.

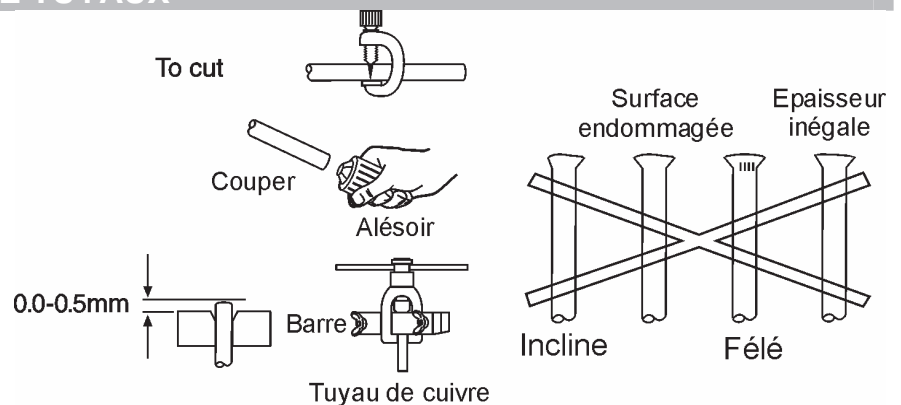
Utiliser un tuyau de 16mm I.D. pour le drainage.



## CONNEXIONS DE TUYAUX

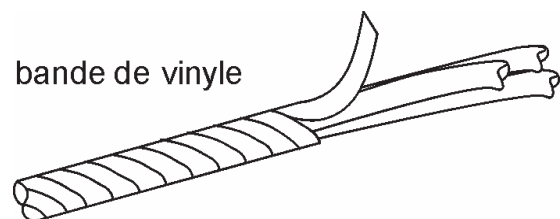
### COUPAGE ET EVASEMENT DE TUYAUX

1. Veuillez utiliser le coupeur de tuyaux pour couper les tuyaux.
2. Retirer toutes les bavures à l'aide d'un alésoir. Si toutes les bavures ne sont pas nettoyées, il y a risque de fuite de gaz! Tourner le bord des tuyaux vers le bas afin d'éviter que la poudre de métal ne pénètre dans les tuyaux.
3. Après avoir inséré l'écrou d'évasement dans le groupe de tuyaux, procédez à un évasement.



### ISOLATION DES TUYAUX

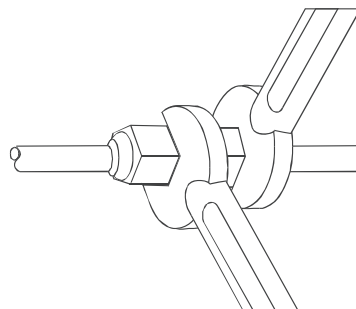
1. Veuillez assurer l'isolation dans la portion de connexion de tuyaux, comme mentionné dans le diagramme d'installation de l'unité extérieure. Veuillez envelopper les extrémités des tuyaux afin d'éviter que l'eau ne pénètre dans la tuyauterie.
2. Si le manchon de drainage ou les tuyaux de raccordement se trouvent dans la chambre (où de la rosée risque de se former), veuillez augmenter l'isolation à l'aide de MOUSSE POLY-E d'une épaisseur de 9mm ou plus.



## CONNEXION DES TUYAUX A L'UNITE

### Connexion à l'unité intérieure

1. Aligner le centre des tuyaux et serrer fort l'écrou d'évasement.
2. Utiliser la clé de torsion pour serrer fermement l'écrou.



### Connexion à l'unité extérieure

1. Aligner le centre des tuyaux aux soupapes.
2. Utiliser la clé de torsion pour serrer fermement les soupape conformément à la table:

#### Ø des tubes

1/4"(Inch)

3/8"(Inch)

5/8"(Inch)

1/2"(Inch)

3/4"(Inch)

7/8"(Inch)

#### Couple

15-30 (N·m)

35-40 (N·m)

60-65 (N·m)

45-50 (N·m)

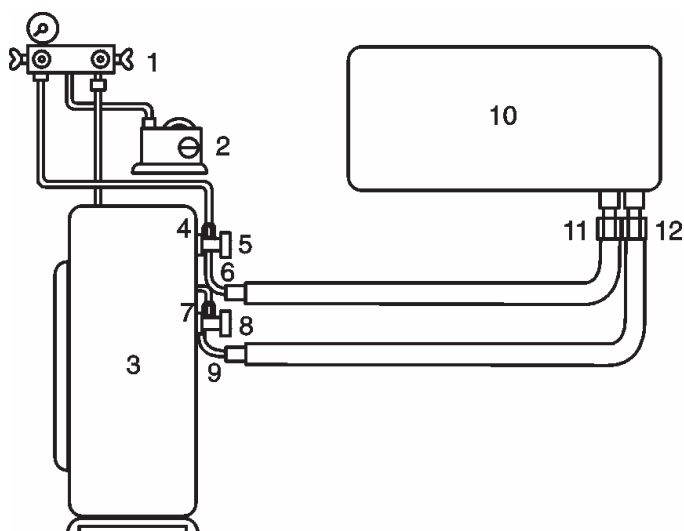
70-75 (N·m)

80-85 (N·m)

## EVACUATION DES TUYAUX ET DE L'UNITE INTERIEURE

Après la connexion des unions dans les unités intérieure et extérieure, évacuez l'air des tuyaux et de l'unité intérieure comme suit:

1. Branchez les manchons de chargement à l'aide d'une fiche poussoir aux côtés inférieur et supérieur de l'appareil et de l'orifice de service des soupapes d'aspiration et de liquide. Branchez l'extrémité du manchon de chargement à l'aide de la fiche poussoir à l'orifice de service.
2. Branchez le manchon central de l'appareil de chargement à la pompe de vide.
3. Levez le commutateur de courant de la pompe de vide et vérifiez que l'aiguille du jauge se déplace de OMPa (0cm HG) à -0.1 Mpa (-76cm Hg). laissez la pompe en marche pendant un quart d'heure.
4. Fermez les soupapes du côté inférieur et du côté supérieur de l'appareil de chargement et arrêtez la pompe de vide. Notez que l'aiguille dans la jauge ne doit pas se déplacer après cinq minutes approximativement.
5. Débranchez le manchon de chargement de la pompe de vide et des orifices de service des soupapes d'aspiration et de liquide.
6. Serrez les capsules de l'orifice de service des deux soupapes, et ouvrez-les à l'aide d'une clé "Allen" hexagonale
7. Démontez les capsules des deux soupapes, et ouvrez-les à l'aide d'une clé "Allen" hexagonale
8. Remontez les capsules de soupape sur les deux soupapes.
9. Vérifiez qu'il n'y a pas de fuite des quatre unions et des capsules de valves. Vérifiez avec un indicateur de fuite électronique ou une éponge immergée dans de l'eau savonneuse pour détecter des bulles.



1. Appareil de chargement
2. Pompe de vide
3. UNITE EXTERIEURE
4. Soupape de service
5. Capsule
6. Soupape d'aspiration
7. Soupape de service
8. Capsule
9. Soupape de liquide
10. UNITE INTERIEURE
11. Connexion d'évasement d'aspiration
12. Connexion d'évasement de liquide

*NOTICE: Pour le chargement additionnel de différentes valeurs de tuyauterie, voir la table de l'unité extérieure.*

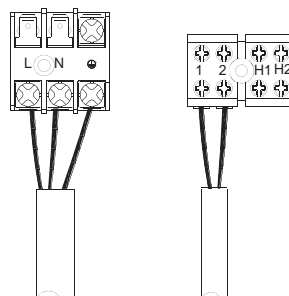
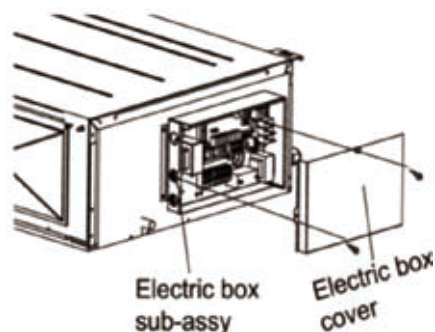
## ALIMENTATION EN COURANT

L'installation et les connexions électriques doivent être exécutées par des électriciens qualifiés, conformément aux codes et aux règlements électriques locaux. Les unités de climatisation doivent être mises à la masse.

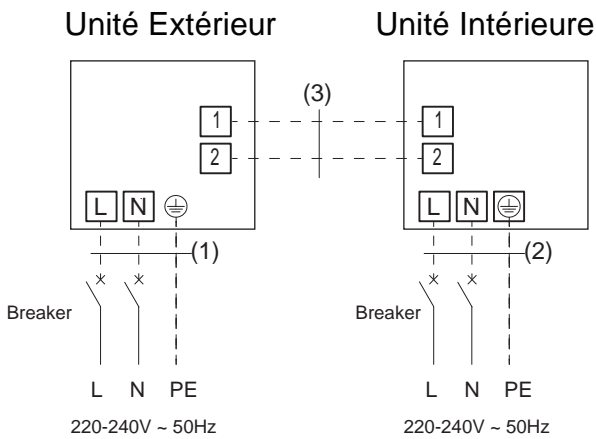
Les unités de climatisation doivent être branchées à une sortie de courant suffisant à partir d'un circuit de branchage séparé protégé par un disjoncteur temporisé, comme spécifié sur la plaque d'identité de l'unité.

La tension ne doit pas varier au-delà de  $\pm 10\%$  de la tension nominale.

1. Préparer les extrémités de câble à fils multiples pour la connexion.
2. Enlever le couvercle intérieur/extérieur et ouvrir les bornes, enlever la vis de serrage du câble et retourner l'agrafe du câble.
3. Brancher les extrémités du câble aux deux bornes des unités intérieure et extérieure.
4. Branchez l'autre extrémité du câble de fil jumelé à la borne du fil jumelé de l'unité extérieure.
5. Attacher le câble électrique à fils multiples à l'aide des clames de câble.



12/18/24/30 KBtu/h (1Ph)

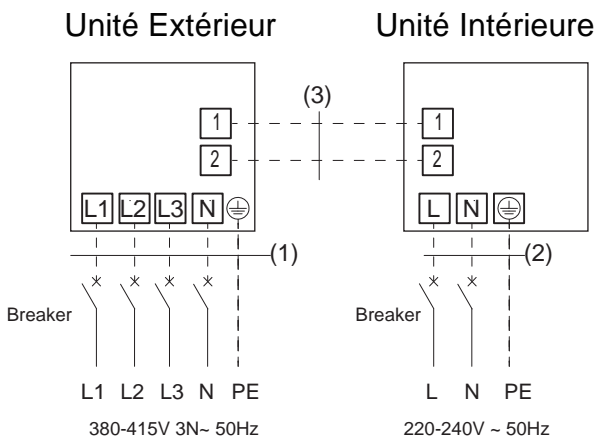


Model 12K
①. Câble d'alimentation(ODU) 3x2.5mm <sup>2</sup> (H07RN-F)
②. Câble d'alimentation(IDU) 3x1.0mm <sup>2</sup> (H05RN-F)
③. Câble d'interconnexion 2x0.75mm <sup>2</sup> (H05RN-F)

Model 18K
①. Câble d'alimentation(ODU) 3x2.5mm <sup>2</sup> (H07RN-F)
②. Câble d'alimentation(IDU) 3x1.0mm <sup>2</sup> (H05RN-F)
③. Câble d'interconnexion 2x0.75mm <sup>2</sup> (H05RN-F)

Model 24/30K
①. Câble d'alimentation(ODU) 3x4.0mm <sup>2</sup> (H07RN-F)
②. Câble d'alimentation(IDU) 3x1.0mm <sup>2</sup> (H05RN-F)
③. Câble d'interconnexion 2x0.75mm <sup>2</sup> (H05RN-F)

36/48/60 KBtu/h (3Ph)



Model 36K
①. Câble d'alimentation(ODU) 5x1.5mm <sup>2</sup> (H07RN-F)
②. Câble d'alimentation(IDU) 3x1.0mm <sup>2</sup> (H05RN-F)
③. Câble d'interconnexion 2x0.75mm <sup>2</sup> (H05RN-F)

Model 48/60K
①. Câble d'alimentation(ODU) 5x2.5mm <sup>2</sup> (H07RN-F)
②. Câble d'alimentation(IDU) 3x1.0mm <sup>2</sup> (H05RN-F)
③. Câble d'interconnexion 2x0.75mm <sup>2</sup> (H05RN-F)

## UNITE DE CONTROLE D'AFFICHAGE

### CRITERES D'EMPLACEMENT

Il est recommandé d'installer l'unité de contrôle d'affichage à proximité du plafond dans une zone neutre à conditions typiques. En plus, l'aspect esthétique doit être pris en considération. L'unité de contrôle d'affichage est reliée au tableau de contrôle principal sur le climatiseur (l'unité intérieure) par un câble de communication. Le câble est relié à l'unité de contrôle d'affichage par un connecteur rapide (prise de courant à 8 fiches).

### INSTALLATION DE L'UNITE DE CONTROLE D'AFFICHAGE SUR LE MUR

Forer un orifice de 12mm de diamètre sur le mur, pour agencer le câble de communication.

Ouvrir le couvercle de l'unité, forer trois orifices dans le mur qui s'adaptent aux orifices dans l'unité de contrôle d'affichage, installer les encarts et attacher l'unité au mur à l'aide de trois vis.

L'unité de contrôle d'affichage est fournie avec un câble de communication spécial de 7 mètres de long, qui se termine par une cheville, reliée au bâti même par une boîte de dérivation, qui permet de contrôler le climatiseur à partir de plusieurs chambres différentes, chacune à partir de son unité de contrôle d'affichage.

Brancher le commutateur rapide à la douille appropriée sur le tableau de contrôle principale dans le coffret de branchement de l'unité intérieure.



#### AVERTISSEMENT

La prise ne doit pas être coupée du câble de communication si la longueur du câble est insuffisante. Dans ce cas, un câble d'extension de 5 mètres de long peut être ajouté.

### FACTEURS CONSIDERES PENDANT LE PLACEMENT DE L'UNITE DE CONTRÔLE A DISTANCE

- a) Placer l'unité du Controlleur à distance de manière à ce qu'une fois montée sur son support au mur, elle soit alignée avec l'unité de contrôle d'affichage (à moins de 8m.).
- b) Il est recommandé d'établir l'emplacement final de l'unité de contrôle à distance seulement après la première mise en marche, tout en assurant une transmission et une réception appropriée entre l'unité du Controlleur à distance et l'unité de contrôle d'affichage.

# LISTE DE CONTROLE AVANT LA MISE EN MARCHE

## VERIFIER LE DRAINAGE

Verser de l'eau dans la cuvette de drainage en polystyrène expansé. Vérifier que l'eau s'écoule du manchon de drainage de l'unité intérieure

## EVALUATION DE LA PERFORMANCE

Activer l'unité en mode de refroidissement et en haute vitesse de ventilation pendant un quart d'heure ou plus.

Mesurez la température d'air entrant et sortant. Vérifier que la différence entre la température entrante et sortante soit plus de 8°C

## VERIFIER LES RUBRIQUES

- |   |  |
|---|--|
| <input type="checkbox"/> Y a-t-il une fuite de gaz dans les connexions d'écrous d'évasement?                        | <input type="checkbox"/> Est-ce que l'unité intérieure est convenablement montée au plafond? |
| <input type="checkbox"/> Est-ce que l'isolation de chaleur a été transférée dans la connexion d'écrous d'évasement? | <input type="checkbox"/> Est-ce que la tension du courant est conforme à la valeur nominale? |
| <input type="checkbox"/> Est-ce que le câble de connexion est fermement fixé au tableau de borne?                   | <input type="checkbox"/> Y a-t-il un son anormal??   |
| <input type="checkbox"/> Est-ce que le câble de connexion est fermement attaché?                                    | <input type="checkbox"/> Est-ce que l'opération de refroidissement est normale?              |
| <input type="checkbox"/> Est-ce que le drainage est en ordre? (Voir la section "Vérifier le drainage")              | <input type="checkbox"/> Est-ce que le thermostat fonctionne normalement?                    |
| <input type="checkbox"/> Est-ce que la connexion du fil de mise à la masse est correcte?                            | <input type="checkbox"/> Est-ce que le LCD de contrôle à distance fonctionne normalement?    |



# INSTRUCCIONES DE INSTALACIÓN

## ACONDICIONADOR DE AIRE TIPO BAJA SILUETA CON CONTROL ELECTRÓNICO

### R410A



ESPAÑOL

ESPAÑOL

CE

# Iniciando...

## LISTA DE HERRAMIENTAS NECESARIAS

- |   |                                    |                         |
|---|------------------------------------|-------------------------|
| 1. Destornillador                       | 8. Detector de fugas de gas        | 15. Llave dinamométrica |
| 2. Taladradora eléctrica, broca (60 mm) | 9. Cinta de medir                  | 18 Nm (1.8 kgf.m)       |
| 3. Llave hexagonal                      | 10. Termómetro                     | 45 Nm (4.5 kgf.m)       |
| 4. Llave inglesa                        | 11. Megameter                      | 65 Nm (6.5 kgf.m)       |
| 5. Cortador de tubos                    | 12. Multímetro                     | 75 Nm (7.5 kgf.m)       |
| 6. Escariador                           | 13. Bomba de vacío                 | 85 Nm (8.5 kgf.m)       |
| 7. Cuchillo                             | 14. Colector calibre (para R-410A) |                         |

## ATENCIÓN

- Selección de la ubicación de la unidad. Elija un lugar, suficientemente rígido y resistente para soportar o sostener a la unidad y elija un lugar de fácil mantenimiento.
- No suelte refrigerante durante las tareas de instalación de tubería, reinstalación y durante la reparación de partes de refrigeración. Tenga cuidado del líquido refrigerante, puede causar heridas de congelación.
- Tareas de instalación. Pueden ser necesarias dos personas para llevar a cabo las tareas de instalación.
- No instale este artefacto en un cuarto de lavandería o de ambiente húmedo donde pueda gotear agua desde el cielorraso, etc.

## GAMA DE TEMPERATURA DE FUNCIONAMIENTO

### ON-OFF

		Interior		Exterior	
		DB[°C]	WB[°C]	DB[°C]	WB[°C]
Refrigeración	Límite superior	32	23	43	NA
	Límite inferior	21	15	-15	NA
Calefacción	Límite superior	27	NA	24	18
	Límite inferior	10	NA	-10	-11

## Contenido:

Herramientas de Instalación/Servicio.....	5	Disposición de agua condensada de la unidad exterior .....	16
Accesorios Adjuntos.....	7	<b>Conexiones de tubos.....</b>	16
Información general .....	8	Corte y escariado de tubos.....	16
Precauciones generales .....	10	Aislamiento de tubos .....	16
Unidad interior .....	11	Conexiones de tubos a la unidad.....	17
Acceso a la unidad.....	11	Vacío de tubos y la unidad interior.....	17
Instalación de la unidad .....	13	Conexiones eléctricas .....	19
Instalación del drenaje .....	13	Unidad de Control de Visualización .....	21
Ubicación del filtro de aire.....	14	Lista de comprobación previa a la operación .....	22
<b>Unidad exterior.....</b>	15		
Dimensiones de la unidad .....	15		
Instalación de varias unidades exteriores .....	15		

## PRECAUCIONES DE SEGURIDAD

Lea cuidadosamente las siguientes "PRECAUCIONES DE SEGURIDAD" antes de instalar. Las tareas eléctricas deben ser realizadas por un electricista licenciado. Asegúrese de utilizar enchufe y circuito principal de potencia correcta para el modelo a ser instalado.

Los ítems de precaución indicados aquí deben ser observados pues este contenido importante se refiere a seguridad. El significado de cada indicación utilizada se halla definido a continuación.

Instalación incorrecta por ignorar las instrucciones causará daños o averías y su seriedad está clasificada en las siguientes indicaciones.

Realice un recorrido de prueba para verificar que no ocurran anomalías después de la instalación. Luego, explique al usuario el funcionamiento, el cuidado y el mantenimiento tal como indicados en las instrucciones. Por favor recuerde al Cliente guardar las instrucciones de operación para referencia futura.

**Los ítems a seguir están clasificados por los siguientes símbolos:**



**ADVERTENCIA**




Este símbolo indica riesgo de causar muerte o grave lesión.

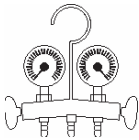
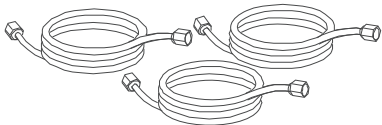


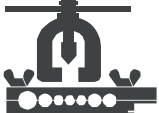



Símbolo con fondo blanco indica un ítem que es PROHIBIDO hacer.



## ADVERTENCIA

1. Emplee a un instalador calificado y siga cuidadosamente las instrucciones, de lo contrario se causará electrocución, fuga de agua o problema de estética.
2. Instale en un lugar sólido y firme, capaz de resistir el peso del equipo. De no ser suficientemente resistente el lugar o adecuada instalación la instalación, el equipo caerá y causará daños.
3. Respecto a las tareas eléctricas, siga las prescripciones de la norma nacional y de los reglamentos de cableado, así como las instrucciones de instalación. Se debe utilizar un circuito independiente y un solo enchufe. De no ser suficiente la capacidad del circuito eléctrico, el resultado será electrocución o incendio.
4. Utilice el cable especificado y conecte estrechamente en conexiones interiores/exteriores. Conecte el cable estrechamente y asegúrelo con abrazadera de manera que el terminal no perciba fuerza externa alguna. Si la conexión o el ajuste no son perfectos, se generará calentamiento o incendio en la misma.
5. El trayecto de los alambres debe estar bien ordenado de modo que la tapa del tablero de control quede bien fija. De no estar bien fija la tapa del tablero de control, se generará incendio o electrocución.
6. Antes de obtener acceso a los terminales, todos los circuitos de suministro deben ser desconectados.
7. Al llevar a cabo una conexión de tubería, tenga cuidado de no dejar entrar al ciclo refrigerante sustancias de aire que no sean el refrigerante especificado, de lo contrario se causará disminución de la capacidad, presión anormalmente alta en el ciclo de refrigeración, explosión y lesiones. 
8. No dañe el cable eléctrico ni utilice uno no especificado. De lo contrario, causará incendio o electrocución. 
9. No modifique la longitud del cable eléctrico ni utilice cable de extensión, tampoco comparta el enchufe único con otros artefactos eléctricos. De lo contrario, causará incendio o electrocución.
10. Este equipo debe ser conectado a tierra. De no ser perfecta la conexión a tierra, causará electrocución. 
11. No instale la unidad donde pueda ocurrir fuga de gas inflamable. En el caso de fuga de gas y su acumulación cerca de la unidad, puede causar incendio.
12. Drene la tubería tal como lo indican las instrucciones de instalación. De no ser perfecto el drenaje, puede penetrar agua a la habitación y dañar los muebles.
13. Si el cable eléctrico se daña, debe ser sustituido por el fabricante, por su agente de servicio o por personas calificadas de manera similar, con el fin de prevenir riesgos.

Herramientas de Instalación/Servicio para R410A	Cambios
Colector calibre 	Dado que la presión de operación es alta, resulta imposible medir la presión de operación utilizando instrumentos convencionales. Con el objeto de prevenir carga de cualquier otro refrigerante, los diámetros de los puertos han sido cambiados.
Manguera de carga 	Con el objeto de aumentar la resistencia a la presión, los materiales de las mangueras y el tamaño de los puertos han sido cambiados (por 1/2 UNF, 20 roscas por pulgada). Al adquirir una manguera de carga, asegúrese de verificar el tamaño del puerto.
Balanza electrónica para carga de refrigerante 	Dado que la presión de operación es alta y la gasificación es rápida, resulta difícil leer el valor indicado por medio de un cilindro de carga pues pueden crearse burbujas de aire.
Llave dinamométrica (diá. nominal 1/2, 5/8) 	El tamaño de las tuercas con resma opuestas ha sido aumentado. Incidentalmente, se utiliza una llave común para diámetros nominales de 1/4 y 3/8.
Herramienta escariadora (tipo acople) 	Aumentando el tamaño del hueco receptor de las barras de la abrazadera, se ha mejorado la potencia del resorte de la herramienta.
Medidor para ajuste de proyección	Utilizado cuando se hace la resma con herramienta de escariado convencional.
Adaptador de bomba de vacío y válvula de chequeo	Conectado a una bomba de vacío convencional. Es necesario utilizar un adaptador para prevenir flujo de aceite de la bomba de vacío hacia atrás, a la manguera de carga. La pieza de conexión de la manguera de carga tiene dos puertos – uno para refrigerante convencional (7/16 UNF, 20 roscas por pulgada) y otro para R410A. Si el aceite (mineral) de la bomba de vacío se mezcla con R410A, se puede crear sedimento que dañará al equipo.
Detector de fuga de gas 	Exclusivo para refrigerante HFC.

*Incidentalmente, el "cilindro de refrigerante" viene con la designación de refrigerante (R410A) y con revestimiento protector de color rosado especificado por ARI de los EEUU (Código de color ARI: PMS 507). También, el "puerto de carga y el empaque para cilindro de refrigerante" requiere 1/2 UNF, 20 roscas por pulgada correspondiente al tamaño del puerto de la manguera de carga.*

## **CUIDADO Instalación de Acondicionador de Aire con R410A**

---

ESTE ACONDICIONADOR DE AIRE ADOPTA EL NUEVO REFRIGERANTE (R410A), EL CUAL NO DESTRULLE AL ESTRATO DE OZONA. El refrigerante R410A es susceptible a efectos de impurezas tales como agua, membrana oxidante y aceites, pues la presión de operación de dicho refrigerante es aproximadamente 1.6 veces mayor a aquella de R22. Además de la adopción de este nuevo refrigerante, el aceite de la máquina refrigeradora también ha sido sustituido. Por eso, durante las tareas de instalación, asegúrese de que agua, polvo, refrigerante anterior o aceite de la máquina de refrigeración no penetren al circuito del nuevo refrigerante R410A del acondicionador de aire. Para prevenir mezcla de refrigerante o de aceite de máquina de refrigeración, el tamaño de las secciones de conexión de los puertos de carga en la unidad principal y herramientas de instalación es diferente del tamaño de aquellos utilizados en unidades del refrigerante convencional. Consecuentemente, para las unidades del refrigerante nuevo (R410A) son necesarias herramientas especiales. Para conectar tubos, utilice materiales de tubería nuevos y limpios, con accesorios de alta presión fabricados para R410A exclusivamente.

Además, no utilice la tubería existente ya que en ésta hay algunos problemas con los accesorios de presión y posibles impurezas en la misma.

### **Cambios en el producto y componentes**

En acondicionadores de aire que utilizan R410A, con el fin de prevenir carga accidental de cualquier otro refrigerante, el diámetro del puerto de la válvula de control de la unidad exterior (válvula de 3 vías) ha sido cambiado. (1/2 UNF, 20 roscas por pulgada).

Para aumentar la resistencia de la tubería del refrigerante ante la presión, el diámetro de procesamiento de resma y el tamaño de las tuercas con resma opuestas ha sido cambiado (por tubos de cobre de dimensión nominal de 1/2 y 5/8).

Para soldadura de tubos asegúrese de utilizar Nitrógeno seco dentro de los tubos.

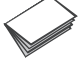
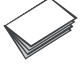
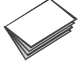







Utilice tubos de cobre de espesor especial para R410A:

1/4"-1/2" 0.8 mm

5/8"-3/4" 1 mm

No ventile **R410A** hacia la atmósfera: **R410A** es un gas de invernadero fluorizado, cubierto por el Protocolo de Kyoto, con al Potencial de Calentamiento Global (*GWP*) = **1730**

## ACCESORIOS ADJUNTOS

Descripción	Cantidad	Nombre	Uso
	1	Manual de instalación de técnico	Instrucciones de instalación
	1	Manual de instrucciones de control remoto	Instrucciones de operación de control remoto
	1	Manual de instrucciones de unidad de visualización	Instrucciones de operación
	1	Control remoto incluyendo pilas	Operación del acondicionador de aire
	1	Soporte de control remoto	Suspensión del control remoto de la pared
	1	Visualizador de control central	Visualizador principal de funcionamiento y de operación
	4	Abrazaderas	Tensión de cables eléctricos de las unidades interior y exterior
	4 cada uno	Insertos - Tornillos - Arandelas	Instalación de soportes para el control remoto y el visualizador de control central
	1	Codo de drenaje	Conexión de manguera de drenaje al exterior
	1+1	Aislante de tubería de gas	Aislamiento adicional de ambas conexiones de gas

## INFORMACIÓN GENERAL

### Unidad Interior

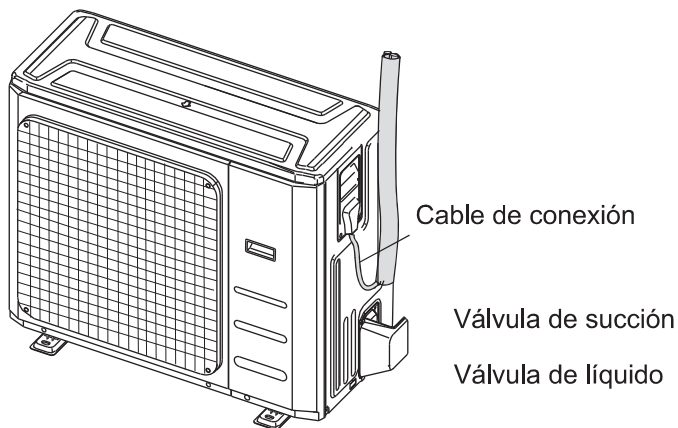
Esta unidad puede ser instalada de manera oculta sobre un cielorraso "falso" .

Dado que la unidad es una oculta y no, es de mucha importancia que la longitud de los ductos se ajuste a la presión estática exterior máxima permitida en la tabla de la página 9.

### Instalación Horizontal



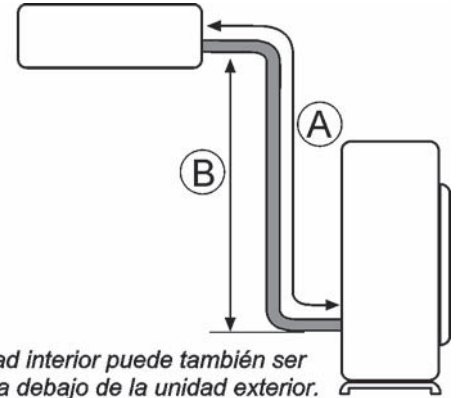
### Unidad exterior





**PRESIÓN ESTÁTICA EXTERIOR -Pa**

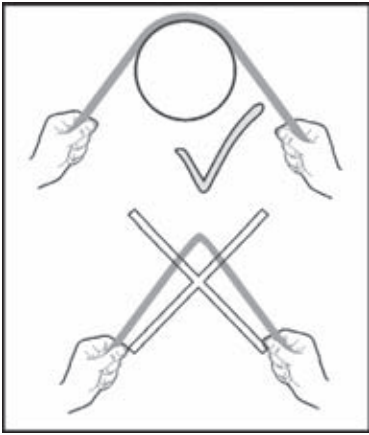
CAPACIDAD NOMINAL	NOMINAL	MÁX.
12/18	25	30
24	25	70
30	37	80
36	37	140
48/60	50	150



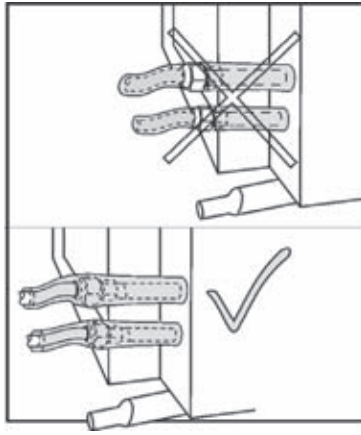
**MÁXIMA TUBO LONGITUD Y ALTURA**

CAPACIDAD (KBtu/h)	TUBO DE LÍQUIDO - TUBO DE GAS (Inch)	A- L.MÁX. (m)	B - H.MÁX. (m)	LONGITUD DE PRECARGA (m)	ADICIONAL (g/m)
12	1/4"-1/2"	20	15	7	10
18	1/4"-1/2"	25	15	7	18
24	3/8"-5/8"	30	15	7	54
30	3/8"-5/8"	30	15	7	54
36	3/8"-3/4"	30	15	7	54
48	1/2"-3/4"	50	30	7	90
60	1/2"-3/4"	50	30	9.5	90

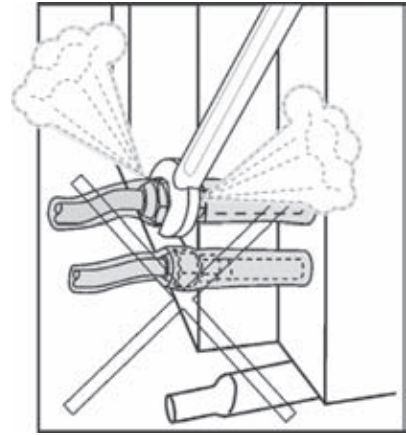
## PRECAUCIONES GENERALES



Utilice siempre un soporte de cilindro de radio grande para doblar tubos así como herramientas de doblar tubos



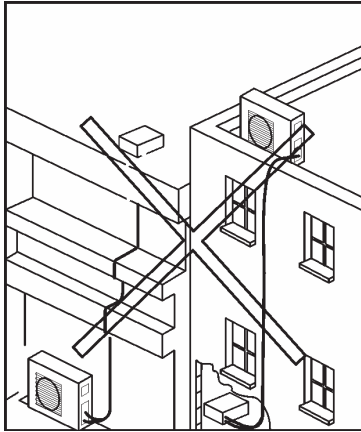
No deje descubiertas las tuercas de tubos de gas. Aísle las conexiones con el aislante de tubos suministrado



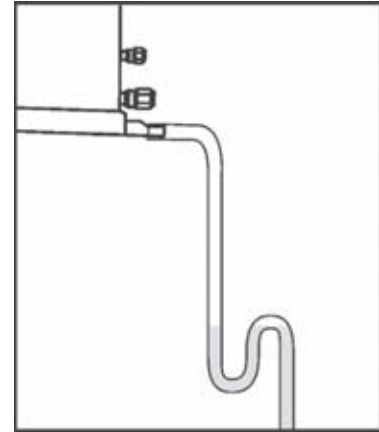
No destornille tubos de gas una vez instalados



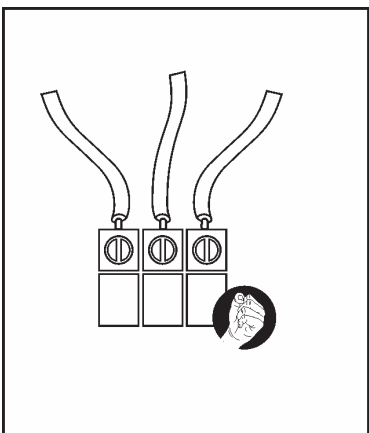
Evite ubicar la unidad interior cerca de agua o de vapor aceitoso



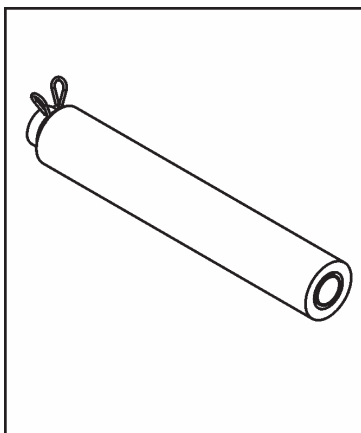
Evite tubos doblados y mantenga a éstos tan cortos como sea posible, 3 metros



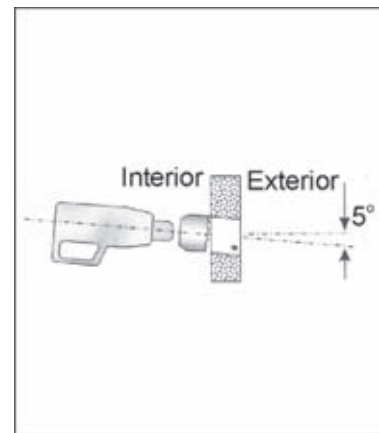
Trampas de agua (sifón) prevendrán malos olores



Tense cables de circuitos eléctricos



Aísle el tubo de drenaje



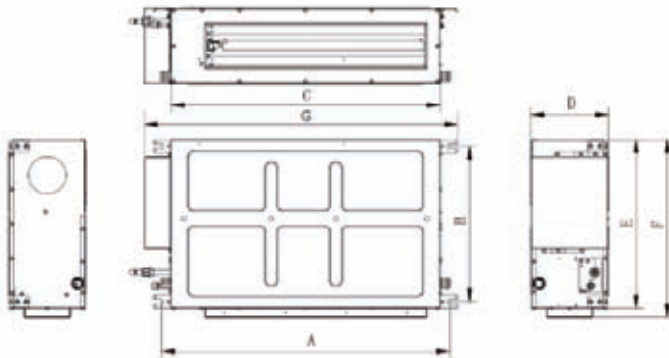
Taladre el hueco en ángulo para prevenir que condensados o agua de lluvia corran hacia atrás y penetren a la habitación

## UNIDAD INTERIOR

### UBICACIÓN DE LA UNIDAD

Al elegir un lugar para la unidad interior:

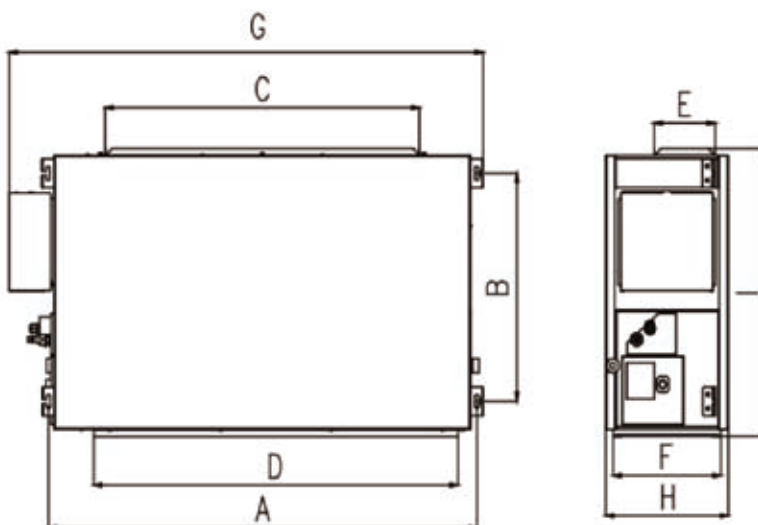
- Permita máx. flujo de aire hacia el espacio deseado.
- Permita máx. flujo de aire de retorno.
- Asegure drenaje adecuado de agua condensada.
- Asegure reducción de ruido cerca de dormitorios.
- Deje un mínimo de 200 mm de espacio libre detrás de la unidad.
- Permita acceso de servicio libre a la caja eléctrica.
- Permita fácil acceso a la base de la unidad interior proveyendo suficiente espacio desde el cielorraso.
- Use caucho dentado debajo de la unidad y conexiones flexibles para prevenir vibraciones de resonancia.



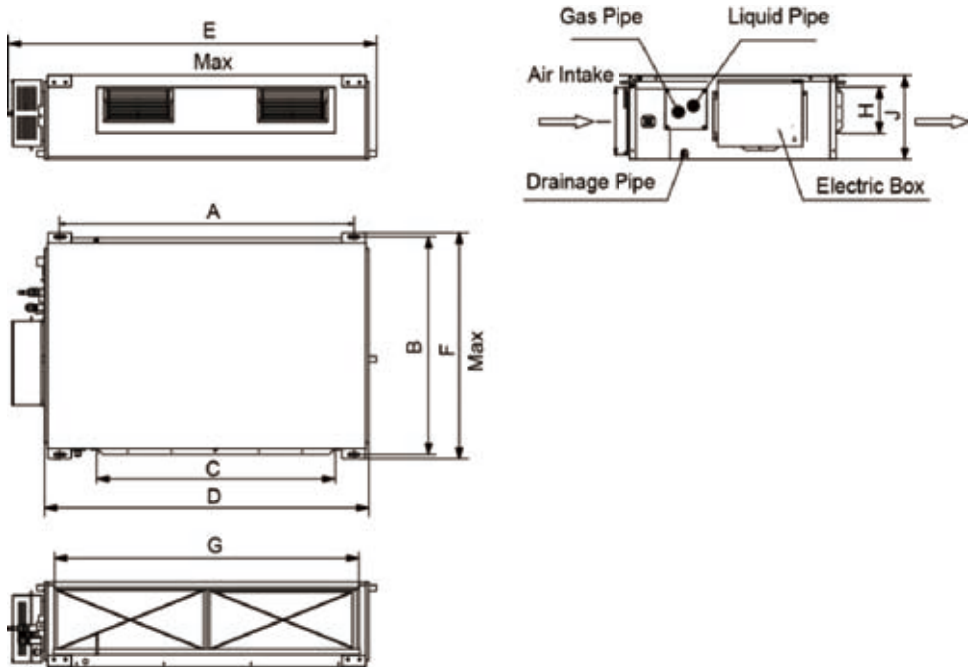
Model 12K

Unit: mm

Model	A	B	C	D	E	F	G
12	760	415	700	200	460	485	824



Model 18K

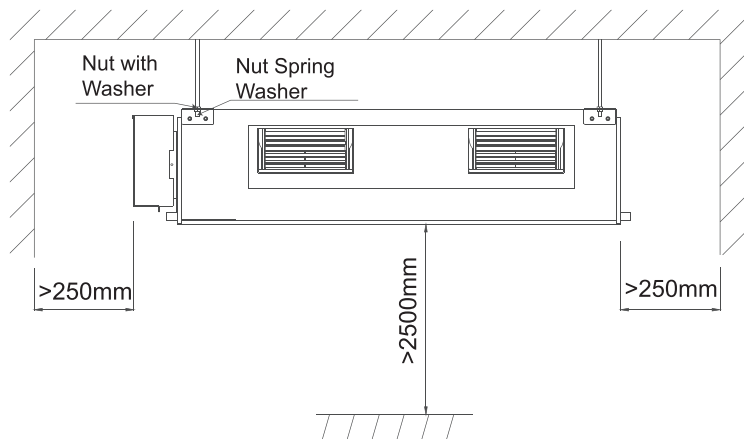


Model 24-60K

Unit: mm

Model	A	B	C	D	E	F	G	H	I	J
18	940	430	740	738	206	125	1015	275	720	
24/30	1101	515	820	1159	1260	555	1002	160	235	270
36/48	1011	748	820	1115	1230	790	979	160	231	290
60	1011	788	820	1115	1235	830	979	160	256	330

**DESPEJE ALREDEDOR DE LA UNIDAD Y ACCESO DE SERVICIO**



## INSTALACIÓN DE LA UNIDAD

- Inserte 4 varillas roscadas de M10 o 3/8" en el cielorraso.
- Introduzca las varillas a través de las ranuras de los soportes de suspensión de la unidad.
- Ubique los amortiguadores, añada arandelas y atornille las tuercas hasta que la unidad quede firmemente soportada.
- En caso de haber claro entre la unidad y el cielorraso, meta caucho o una lámina de neopreno.

**IMPORTANTE** La unidad debe quedar perfectamente nivelada

## INSTALACIÓN DEL DRENAJE

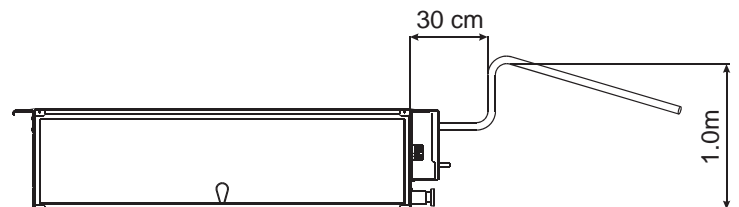
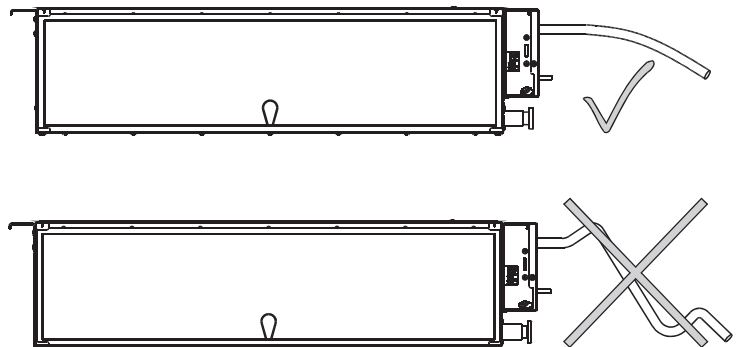
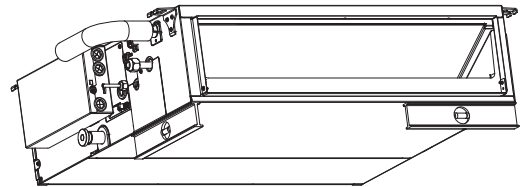
### Generalidades

Para funcionamiento eficaz del sistema de drenaje, por favor asegúrese de lo siguiente:

- Siempre nivele la unidad con 2° para abajo rumbo al drenaje de la unidad.
- Utilice un tubo de drenaje de ID=26mm.
- Es recomendable que un plomero profesional prepare un punto de desagüe cerca de la unidad.
- Para drenaje adecuado, el pasaje debe ser planeado con inclinación de 1°.
- Prevenga flujo hacia arriba o inverso en cualquier parte.
- Para prevenir olores desagradables en la habitación, incluya un sifón en la instalación.
- Instale el tubo de drenaje con una manga de aislamiento térmico de 6 mm de espesor.

### Drenaje horizontal

- La unidad contiene una bomba de drenaje la cual puede elevar agua de condensación hasta 100cm. del nivel más bajo de la unidad. El tubo de drenaje se halla conectado a la tobera superior de drenaje.
- La función de la tobera de drenaje inferior es de vaciar la bandeja de agua antes de dar servicio a la unidad.
- Instale el tubo de drenaje con una manga de aislamiento térmico de 5-10 mm de espesor para evitar goteo.

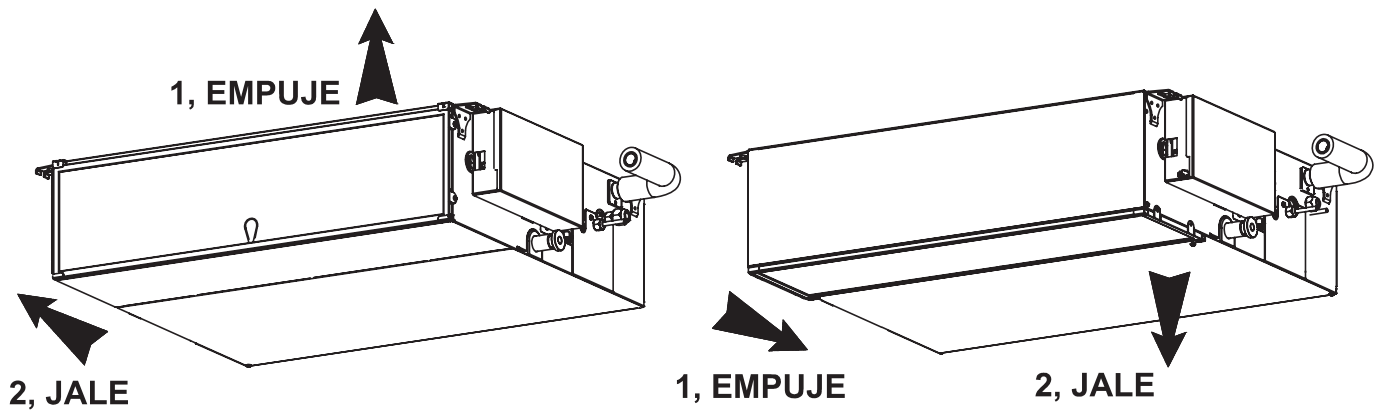


## UBICACIÓN DEL FILTRO DE AIRE

El filtro de aire está ubicado en la parte trasera de la unidad (en defecto, tal como viene de fábrica) pero de ser necesario, puede ser reubicado fácilmente al fondo de la unidad.

## LIMPIEZA DEL FILTRO DE AIRE

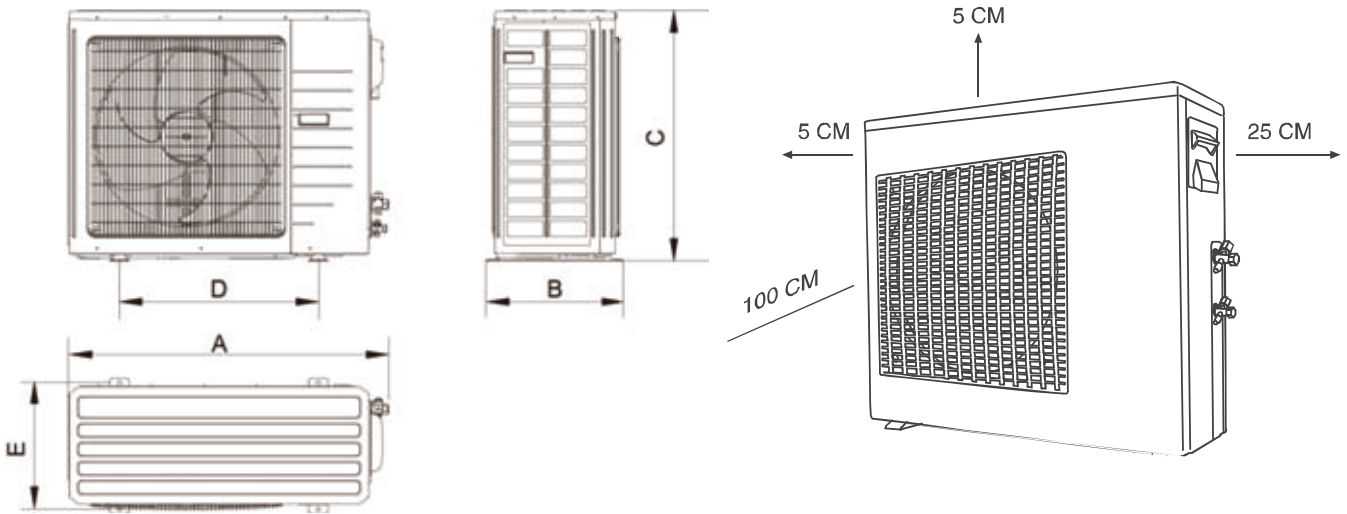
Para limpiar el filtro, retírelo empujando hacia arriba y rumbo a la parte trasera de la unidad y extráigalo tal como se describe a continuación.



## UNIDAD EXTERIOR

### DIMENSIONES DE LA UNIDAD

### DESPEJE ALREDEDOR DE LA UNIDAD



Unit: mm

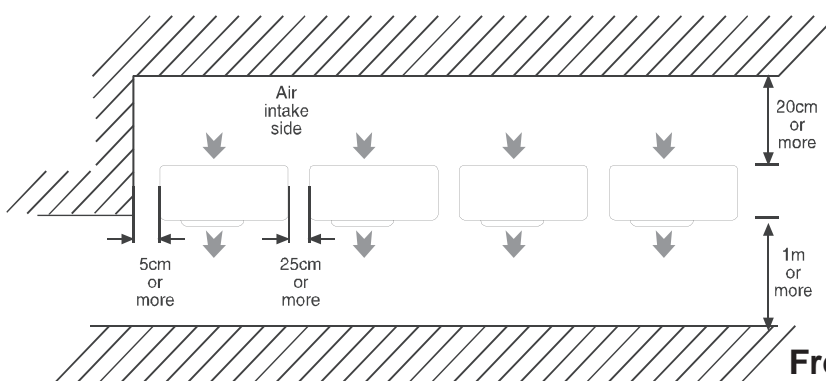
CAPACIDAD (KBtu/h)	A	B	C	D	E
12	820	320	540	540	286
18/24	955	395	700	560	360
30/36	980	425	790	610	395
48	1120	440	1100	631	400
60	980	410	1350	572	376

ESPAÑOL

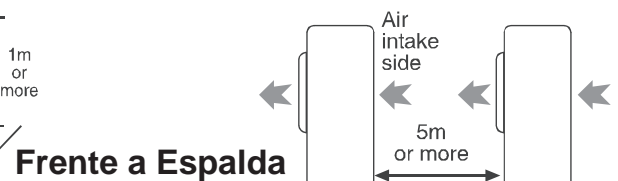
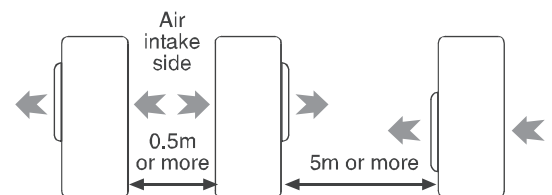
## INSTALACIÓN DE VARIAS UNIDADES EXTERIORES

Al instalar varias unidades exteriores por favor tomar en cuenta el flujo de aire alrededor de las mismas y observe las sugerencias de distancias mínimas de acuerdo con lo expuesto en los siguientes diagramas.

### Instalación en fila



### Espalda a Espalda Frente a Frente

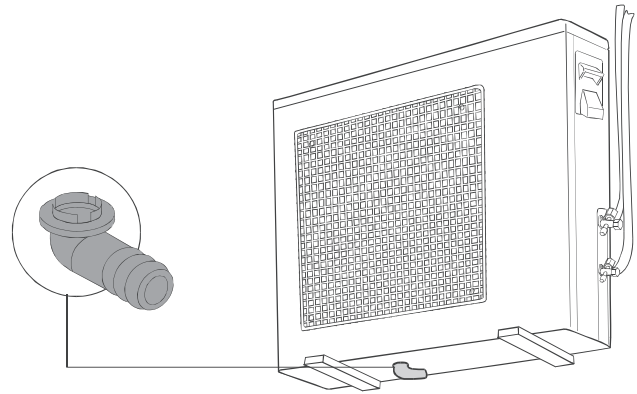


## DISPOSICIÓN DE AGUA CONDENSADA DE UNIDAD EXTERIOR

En el caso de utilizar un codo de drenaje, la unidad debe estar ubicada sobre una peana de 3 cm. de altura por lo menos.

Instale la manguera de forma inclinada para permitir fácil flujo del agua drenada.

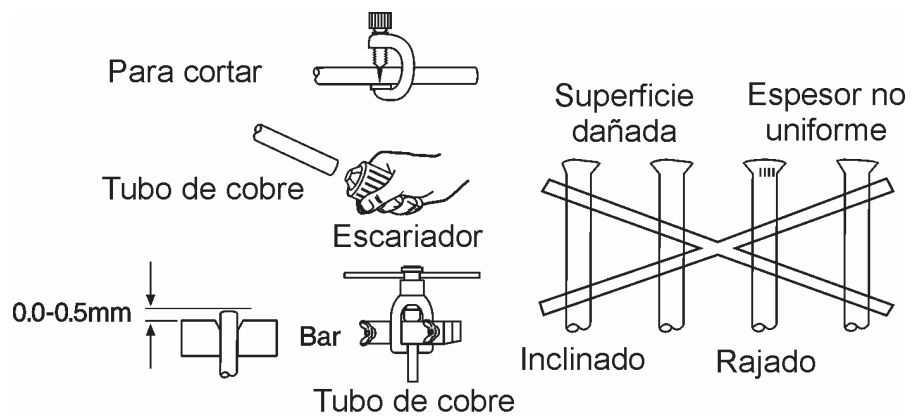
Utilice un tubo de drenaje de 16mm de D.I.



## CONEXIONES DE TUBOS

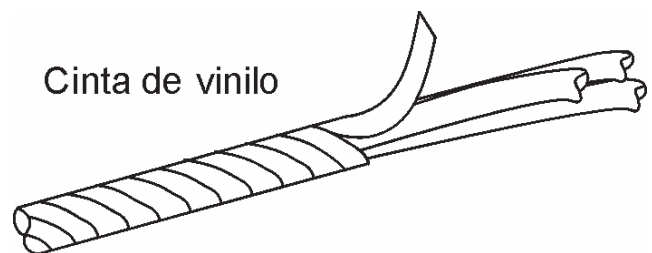
### CORTE Y ESCARIADO DE TUBOS

1. Por favor utilizar el corta-tubos para cortarlos.
2. Elimine rebabas utilizando un escariador. La omisión de eliminar rebabas puede causar fuga de gas! Dirija la boca de los tubos hacia abajo para evitar que caiga polvo metálico adentro de los mismos.
3. Luego de insertar la tuerca con resma en los tubos de cobre, por favor haga una resma.



### AISLAMIENTO DE TUBOS

1. Por favor aisle la porción de conexión del tubo tal como se menciona en el Diagrama de Instalación de Unidad Interior / Exterior. Por favor envolver el extremo aislado del tubo para prevenir entrada de agua al mismo.
2. De haber manguera de drenaje o tubos de conexión en la habitación (donde se pueda crear vaho), por favor aumentar el aislamiento con esponja POLY-E FOAM de 9mm o más de espesor.





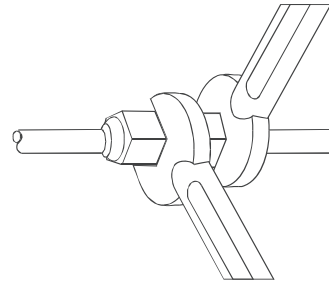
## CONEXIONES DE TUBOS A LA UNIDAD

### Conexión a la unidad interior

1. Alinee el centro de los tubos y tense la tuerca a mano.
2. Utilice la llave dinamométrica para tensar la tuerca firmemente.

### Conexión a la unidad exterior

1. Alinee el centro de los tubos con las válvulas.
2. Utilice la llave dinamométrica para tensar la válvulas firmemente de acuerdo con la tabla:

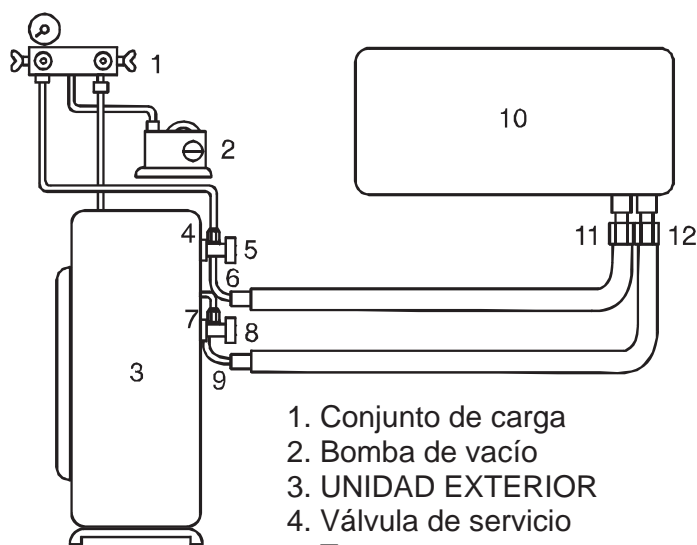


<u>Ø de los tubos</u>	<u>Par</u>
1/4"(Inch)	15-30 (N·m)
3/8"(Inch)	35-40 (N·m)
5/8"(Inch)	60-65 (N·m)
1/2"(Inch)	45-50 (N·m)
3/4"(Inch)	70-75 (N·m)
7/8"(Inch)	80-85 (N·m)

## VACÍO DE TUBOS Y LA UNIDAD INTERIOR

Luego de conectar las uniones de las unidades interior y exterior, vacíe los tubos y la unidad interior de aire de la siguiente manera:

1. Conecte las mangueras de carga con una clavija de empuje a las partes baja y alta del conjunto de carga y el puerto de servicio de las válvulas de succión y de líquido. Asegúrese de conectar el extremo de la manguera de carga con la clavija de empuje al puerto de servicio.
2. Conecte la manguera central a una bomba de vacío.
3. Prenda el interruptor de corriente de la bomba de vacío y asegúrese de que la aguja del medidor se desplace desde 0MPa (0cm de Hg.) hasta - 0.1 Mpa (- 76cm de Hg.). Deje la bomba correr por quince minutos.
4. Cierre las válvulas en la parte baja y alta del conjunto de carga y apague la bomba de vacío. Compruebe que la aguja del medidor no se mueva después de aproximadamente cinco minutos.
5. Desconecte la manguera de carga de la bomba de vacío y de los puertos de servicio de las válvulas de succión y de líquido.
6. Tense las tapas de los puertos de servicio de ambas válvulas y ábralas utilizando la llave Allen hexagonal.
7. Retire las tapas de ambas válvulas y ábralas utilizando la llave Allen hexagonal.
8. Restituya las tapas de ambas válvulas.
9. Revise fugas de gas en las cuatro uniones y en las tapas de válvula. Revise con un detector electrónico de fugas o detecte burbujas utilizando una esponja sumergida en agua con jabón.



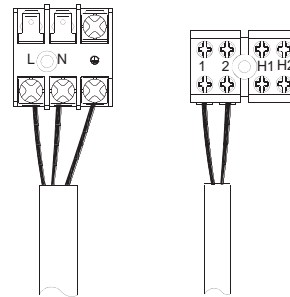
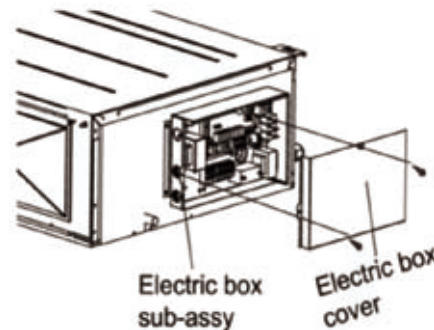
1. Conjunto de carga
2. Bomba de vacío
3. UNIDAD EXTERIOR
4. Válvula de servicio
5. Tapa
6. Válvula de succión
7. Válvula de servicio \*
8. Tapa
9. Válvula de líquido
10. UNIDAD INTERIOR
11. Conexión de resma de succión
12. Conexión de resma de líquido

*NOTA: Para cargas adicionales de varias longitudes de tubo, refiérase a la tabla de la unidad exterior.*

### SUMINISTRO DE POTENCIA

El cableado y las conexiones eléctricas deben ser realizados por un electricista calificado de acuerdo con los códigos eléctricos y reglamentación locales. Las unidades del acondicionador de aire deben estar conectadas a tierra. Las unidades del acondicionador de aire deben estar conectadas a un enchufe eléctrico adecuado desde una ramificación del circuito separada y protegida por un disyuntor de demora, tal como se especifica en la placa de la unidad. El voltaje no debe variar más que  $\pm 10\%$  del valor nominal.

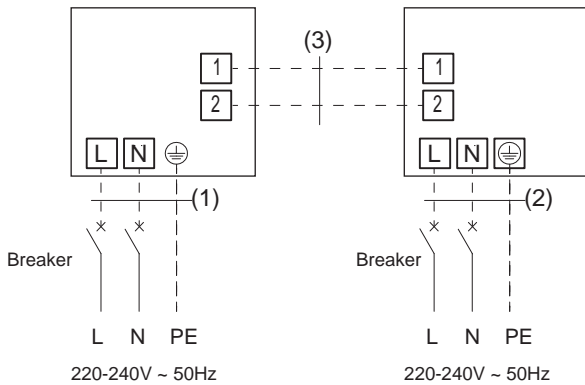
1. Prepare el cable de múltiples alambres para conexión.
2. Retire la tapa interior/exterior y abra los terminales, retire el tornillo de la abrazadera del cable y vuelva la abrazadera.
3. Conecte los extremos del cable a los terminales de las unidades interior y exterior.
4. Conecte el otro extremo del cable de doble alambre al terminal del cable de doble alambre de la unidad exterior.
5. Asegure el cable de potencia de múltiples alambres con las abrazaderas de cable.



12/18/24/30 KBtu/h (1Ph)

UNIDAD EXTERIOR

UNIDAD INTERIOR



Model 12K
①. Cable de alimentación(ODU) 3x2.5mm <sup>2</sup> (H07RN-F)
②. Cable de alimentación(IDU) 3x1.0mm <sup>2</sup> (H05RN-F)
③. Cable de interconexión 2x0.75mm <sup>2</sup> (H05RN-F)

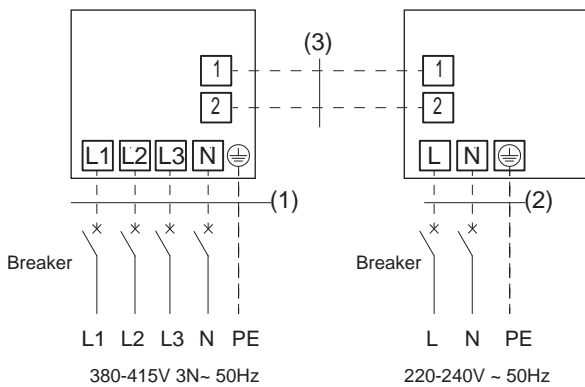
Model 18K
①. Cable de alimentación(ODU) 3x2.5mm <sup>2</sup> (H07RN-F)
②. Cable de alimentación(IDU) 3x1.0mm <sup>2</sup> (H05RN-F)
③. Cable de interconexión 2x0.75mm <sup>2</sup> (H05RN-F)

Model 24/30K
①. Cable de alimentación(ODU) 3x2.5mm <sup>2</sup> (H07RN-F)
②. Cable de alimentación(IDU) 3x1.0mm <sup>2</sup> (H05RN-F)
③. Cable de interconexión 2x0.75mm <sup>2</sup> (H05RN-F)

36/48/60 KBtu/h (3Ph)

UNIDAD EXTERIOR

UNIDAD INTERIOR



Model 36K
①. Cable de alimentación(ODU) 5x1.5mm <sup>2</sup> (H07RN-F)
②. Cable de alimentación(IDU) 3x1.0mm <sup>2</sup> (H05RN-F)
③. Cable de interconexión 2x0.75mm <sup>2</sup> (H05RN-F)

Model 48/60K
①. Cable de alimentación(ODU) 5x2.5mm <sup>2</sup> (H07RN-F)
②. Cable de alimentación(IDU) 3x1.0mm <sup>2</sup> (H05RN-F)
③. Cable de interconexión 2x0.75mm <sup>2</sup> (H05RN-F)

## UNIDAD DE CONTROL DE VISUALIZACIÓN

### CRITERIOS DE UBICACIÓN

Se recomienda instalar la Unidad de Control de Visualización cerca de un cielorraso en una zona neutral de condiciones típicas. Además, debe considerarse el aspecto estético. La Unidad de Control de Visualización está conectada al tablero de control principal en el acondicionador de aire (la unidad interior) mediante un cable de comunicación. Este cable va conectado a la Unidad de Control de Visualización mediante un conector-rápido (enchufe de 8 clavijas).

### INSTALACIÓN DE PARED DE LA UNIDAD DE CONTROL DE VISUALIZACIÓN

Taladre un hueco de 12mm de diámetro en la pared, para encaminar el cable de comunicación.

Abra la tapa de la unidad, taladre 3 huecos en la pared, correspondientes a los huecos de la Unidad de Control de Visualización, instale los insertos y fije la unidad en la pared con 3 tornillos.

La Unidad de Control de Visualización viene equipada de un cable de comunicación especial, de 7 metros de largo, el cual termina en un enchufe conectado en la caja misma a una caja de distribución la cual permite controlar al acondicionador de aire desde varias habitaciones, cada una desde su propia Unidad de Control de Visualización.

Conecte el conector-rápido al enchufe apropiado del tablero de control principal en la caja eléctrica de la unidad interior.



#### ADVERTENCIA

No se debe cortar el enchufe del cable en el caso de ser éste demasiado corto. En tal caso se puede añadir un cable de extensión de 5 metros.

### CONSIDERACIONES DE UBICACIÓN DE LA UNIDAD DE CONTROL REMOTO

- Ubique la Unidad de Controlador Remoto de manera que cuando esté instalada en su soporte de pared, haya línea de vista con la Unidad de Control de Visualización (a menos de 8 m).
- Se recomienda fijar la ubicación final de la unidad de Control Remoto solo después de la primera operación, asegurando transmisión y recepción adecuadas entre la Unidad de Controlador Remoto y la Unidad de Control de Visualización.

# Lista de comprobación previa a la operación

## REVISE EL DRENAJE

Vierta agua en la bandeja de esponja de Poliestireno de drenaje.  
Compruebe que el agua salga por la manguera de drenaje de la unidad interior.

## EVALUACIÓN DEL RENDIMIENTO

Opere la unidad en modo de enfriamiento y alta velocidad de ventilador durante quince minutos o más.  
Mida la temperatura de aire a la entrada y a la salida.  
Compruebe que la diferencia entre la temperatura a la entrada y a la salida sea mayor que 8 °C.

## ÍTEMS DE COMPROBACIÓN

- |  |  |
|--|--|
| <input type="checkbox"/> ¿Hay alguna fuga de gas en las conexiones de tuerca con resma?                      | <input type="checkbox"/> ¿Está la unidad interior bien instalada en el cielorraso?                 |
| <input type="checkbox"/> ¿Ha sido llevado a cabo el aislamiento de la conexión de tuerca con resma?          | <input type="checkbox"/> ¿Cumple el voltaje de suministro con el valor nominal?                    |
| <input type="checkbox"/> ¿Está fijado firmemente al tablero de terminales el cable de conexión?              | <input type="checkbox"/> ¿Hay algún ruido anormal?   |
| <input type="checkbox"/> ¿Está fijado firmemente con abrazadera el cable de conexión?                        | <input type="checkbox"/> ¿Es normal la operación de enfriamiento?                                  |
| <input type="checkbox"/> ¿Está el drenaje en buen orden?<br>(Refiérase a la sección de "Revise el drenaje"). | <input type="checkbox"/> ¿Es normal el funcionamiento del termostato?                              |
| <input type="checkbox"/> ¿Está bien hecha la conexión a tierra?  | <input type="checkbox"/> ¿Es normal el funcionamiento de la pantalla <i>LCD</i> de control remoto? |

# ISTRUZIONI PER L'INSTALLAZIONE

## CONDIZIONATORE D'ARIA DA INCASSO A CONTROLLO ELETTRONICO

### R410A



ITALIANO

ITALIANO

CONDIZIONATORE D'ARIA DA INCASSO A DAF

CE

# Per iniziare...

## ELENCO DEGLI UTENSILI RICHIESTI

- |   |                                       |                   |
|---|---------------------------------------|-------------------|
| 1. Cacciavite                                   | 8. Rivelatore fughe gas               | 15. Torsiometro   |
| 2. Trapano elettrico, utensile a corona (60 mm) | 9. Nastro metrico                     | 18 Nm (1,8 kgf.m) |
| 3. Chiave esagonale                             | 10. Termometro                        | 45 Nm (4,5 kgf.m) |
| 4. Chiave fissa                                 | 11. Megometro                         | 65 Nm (6,5 kgf.m) |
| 5. Utensile per taglio tubi                     | 12. Multimetro                        | 75 Nm (7,5 kgf.m) |
| 6. Alesatore                                    | 13. Pompa per il vuoto                | 85 Nm (8,5 kgf.m) |
| 7. Coltello                                     | 14. Collettore di misura (per R-410A) |                   |

## ATTENZIONE

- Scelta dell'ubicazione dell'unità.  
Selezionare una posizione stabile e robusta abbastanza da reggere o sostenere l'unità e nello stesso tempo sia accessibile alle operazioni di manutenzione.
- Non liberare il materiale refrigerante durante i lavori di installazione, re-installazione e durante la riparazione delle parti di refrigerazione. Trattare con cautela il liquido refrigerante, esso può causare congelamento.
- Installazione. Per eseguire i lavori di installazione possono essere necessari due addetti.
- On installare questa apparecchiatura in una lavanderia o in un ambiente umido in cui possono formarsi gocce d'acqua sul soffitto ecc.

## TEMP DI FUNZIONAMENTO CAMPO

ON-OFF		Unità interna		Unità esterna	
		DB[°C]	WB[°C]	DB[°C]	WB[°C]
Raffreddamento	Limite superiore	32	23	43	NA
	Limite inferiore	21	15	-15	NA
Riscaldamento	Limite superiore	27	NA	24	18
	Limite inferiore	10	NA	-10	-11

## Sommario:

Utensili per l'installazione ed il servizio.....	5	Collegamento dei tubi .....	15
Accessori in dotazione .....	6	Taglio e svasamento delle estremità .....	15
Informazioni generali .....	7	Isolante per i tubi .....	15
Precauzioni generiche .....	9	Collegamento dei tubi all'unità.....	16
Unità interna .....	10	Evacuazione dei tubi e dell'unità interna ...	17
Accesso di servizio all'unità .....	10	Connessioni elettriche .....	18
Installazione dell'unità.....	12	Quadrante visivo .....	20
Installazione del drenaggio .....	12	Lista dei controlli prima della messa in	
Posizione del filtro dell'aria .....	13	funzione .....	21
Unità esterna .....	14		
Dimensioni dell'unità .....	14		
Possibili installazioni esterne .....	14		
Eliminazione dell'acqua di condensa dell'unità esterna.....	15		



## PRECAUZIONI DI SICUREZZA

Prima dell'installazione, leggere attentamente le seguenti PRECAUZIONI DI SICUREZZA. Gli impianti elettrici devono essere eseguiti da un elettricista autorizzato. Assicurarsi di usare gli accessori elettrici e l'alimentazione elettrica idonei al modello di apparecchiatura da installare. Le importanti disposizioni di sicurezza qui esposte devono essere seguite attentamente poiché riguardano la sicurezza delle persone e dell'apparecchiatura. Segue l'indicazione del significato di ciascuno dei simboli usati.

Un'installazione errata dovuta all'ignoranza delle istruzioni può essere causa di pericolo o di danno, la cui severità è classificata dalle seguenti indicazioni.

Eseguire il collaudo d'avvio, per verificare che non vi siano anomalie di funzionamento ad installazione ultimata. L'utente va poi istruito circa il funzionamento, la cura e la manutenzione come descritto nelle istruzioni. Consigliare all'utente di conservare le istruzioni per l'uso, per futura consultazione.

**Gli avvisi che seguono sono classificati dai seguenti simboli:**



**PERICOLO**




Questo avviso prospetta il pericolo di morte o di lesioni gravi.

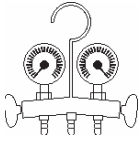
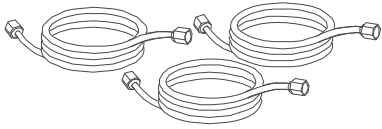


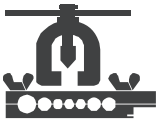
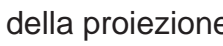
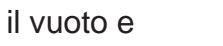



Il simbolo a sfondo bianco indica che l'azione specificata è PROIBITA.



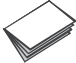

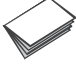







## PERICOLO

1. Usare installatori qualificati e seguire con precisione le istruzioni, per evitare scosse elettriche, fuoriuscite d'acqua o problemi di tipo estetico.
2. Eseguire l'installazione in una posizione stabile e sicura, che sia in grado di supportare il peso dell'apparecchiatura. Se la postazione non è sufficientemente stabile o se l'installazione non è stata eseguita correttamente, l'unità può cadere e provocare lesioni e danni.
3. Per l'esecuzione degli impianti elettrici, le norme ed i regolamenti elettrici locali e nazionali nonché le istruzioni per l'installazione. Deve essere usato un circuito indipendente a presa singola. Se la capacità del circuito elettrico non è adeguata possono verificarsi folgorazioni ed incendi.
4. Usare il cavo speciale e collegare saldamente le unità interna ed esterna. Collegare saldamente e serrare il cavo in modo che non vengano applicate sollecitazioni esterne sul terminale. Se il collegamento o il fissaggio non sono corretti, si verificherà un surriscaldamento del cavo elettrico nella zona di giuntura.
5. Il percorso dei cavi deve essere progettato in modo tale che il coperchio della scheda di controllo possa essere montata correttamente. Se il coperchio della scheda di controllo non è fissato adeguatamente, possono verificarsi surriscaldamento ai punti di collegamento dei terminali, incendi e folgorazioni.
6. Prima di accedere ai terminali, tutti i circuiti d'alimentazione devono essere disconnessi.
7. Eseguendo il collegamento fra i tubi, fare bene attenzione a non lasciare aria nel circuito di refrigerazione assieme allo specifico liquido refrigerante, altrimenti la capacità del condizionatore diminuisce, la pressione aumenta a dismisura nel circuito di refrigerazione, possono verificarsi esplosioni e lesioni alle persone. 
8. Non danneggiare il cavo d'alimentazione elettrica e non fare uso di un cavo che non sia originale. Diversamente, possono verificarsi incendi e folgorazioni. 
9. Non modificare la lunghezza del cavo d'alimentazione, né usare una prolunga, né condividere la presa elettrica singola con altre apparecchiature elettriche. Diversamente, possono verificarsi incendi e folgorazioni.
10. Questa attrezzatura deve essere messa a terra. Possono avvenire folgorazioni se la messa a terra non è perfetta. 
11. Non installare l'unità in una posizione in cui possono verificarsi fughe di gas infiammabile. In caso di fughe di gas che si accentrano attorno all'unità, può scoppiare un incendio.
12. Eseguire il drenaggio dei tubi come prescritto nelle istruzioni per l'installazione. Se il drenaggio non è perfetto, l'acqua può bagnare il pavimento e danneggiare il mobilio.
13. Se il cavo d'alimentazione elettrica è danneggiato, deve essere sostituito dalla casa produttrice o da un agente autorizzato al servizio oppure da persona similmente qualificata per evitare pericoli.

Utensili per l'installazione ed il servizio con R410A	Modifiche
Collettore di misura 	È impossibile misurare l'alta pressione di lavoro usando barometri convenzionali. I diametri delle bocche di ricarica sono stati modificati, allo scopo di impedire la ricarica con qualsiasi altro tipo di liquido refrigerante.
Tubo di ricarica 	I materiali che costituiscono i tubi e le dimensioni dei giunti sono stati modificati per aumentarne la resistenza all'alta pressione (a 1/2 UNF 20 passi per pollice). Nell'acquisto di un tubo di ricarica, assicurarsi di precisare la dimensione della bocca di ricarica.
Bilancia elettronica per la ricarica di liquido refrigerante 	Siccome la pressione di lavoro e la velocità di massificazione sono elevate, è difficile leggere il valore indicato tramite la bombola di ricarica, a causa della formazione di bolle d'aria.
Torsiometro (dia nominale 1/2, 5/8) 	La misura del dado di chiusura è stata aumentata. Per diametri nominali da 1/4 e da 3/8 viene usata una comune chiave inglese.
Utensile di svasatura (di tipo a frizione) 	Aumentando la dimensione del foro ricettore della tavoletta di fissaggio, è stata migliorata la resistenza alla flessione dell'utensile.
Calibro per la regolazione della proiezione 	Viene usato quando la svasatura viene eseguita da un utensile convenzionale.
Adattatore per pompa per il vuoto e valvola di non ritorno 	Collegato a una pompa per il vuoto convenzionale. È necessario l'uso di un adattatore per evitare il reflusso dell'olio della pompa per il vuoto nel tubo di ricarica. La parte che collega il tubo di ricarica contiene due aperture – una per il liquido refrigerante convenzionale (da 7/16 UNF con 20 passi per pollice) ed una per R410A. Se l'olio minerale della pompa a vuotasi mescola al liquido refrigerante R410A ne deriva una fanghiglia che causa danni all'attrezzatura.
Rivelatore fughe gas 	Esclusivo per liquido refrigerante HFC.

*Nota: la bombola di liquido refrigerante viene fornita con designazione del refrigerante R410A e verniciatura di sicurezza di colore roseo, come specificato nelle norme ARI U.S. (codice colore ARI: PMS 507). Inoltre, l'apertura di ricarica e di chiusura della bombola di refrigerante deve essere provvista di attacco da 1/2 UNF a 20 passi per pollice corrispondente al tipo di attacco di cui è dotato il tubo di ricarica.*

## ACCESSORI IN DOTAZIONE

Descrizione	Ammontare	Nome	Uso
	1	Manuale del tecnico per l'installazione	Istruzioni per l'installazione
	1	Manuale d'istruzioni per il telecomando	Istruzioni operative per telecomando
	1	Manuale d'istruzioni per il quadrante dell'unità	Istruzioni per l'uso
	1	Telecomando con batterie incluse	Messa in opera del condizionatore d'aria
	1	Staffa per il telecomando	Supporto per appendere il telecomando alla parete
	1	Display controllo centrale	Quadrante di funzionamento e di lavoro principale
	4	Fascette ferma cavi	Per tendere i cavi elettrici delle unità interna ed esterna
	Serie di 4	Ancora – vite - rondella	Installazione del supporto per telecomando e del quadrante centrale di controllo
	1	Gomito di drenaggio	Collegamento del tubo di drenaggio all'esterno
	1+1	Isolamento dei tubi del gas	Ulteriore isolamento per entrambi i collegamenti del gas

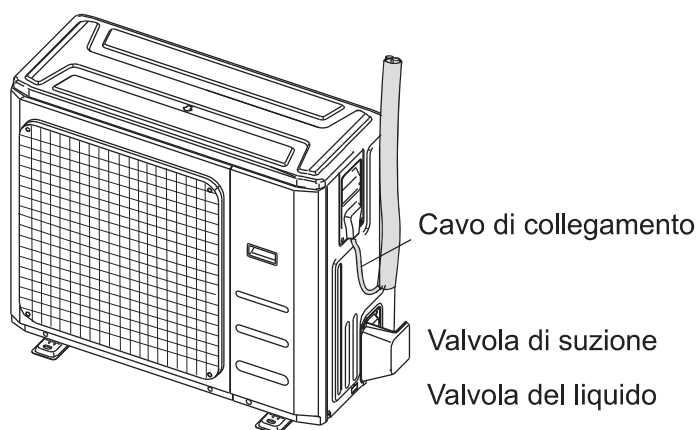
## INFORMAZIONI GENERALI

**Unità interna** L'unità può essere installata in posizione nascosta dietro un controsoffitto .  
Dato che l'unità è nascosta e non canalizzata, è molto importante che la lunghezza dei condotti corrisponda alla massima pressione statica esterna specificata nella tabella a pagina 8.

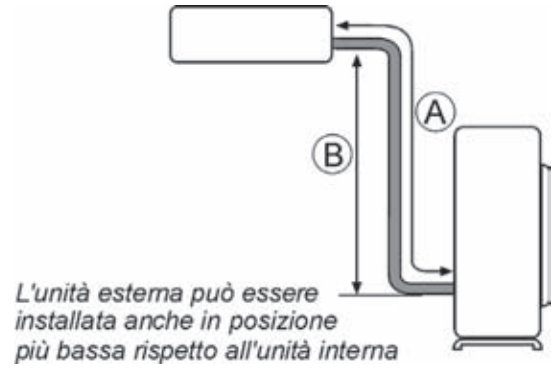
### Installazione orizzontale



### Unità esterna

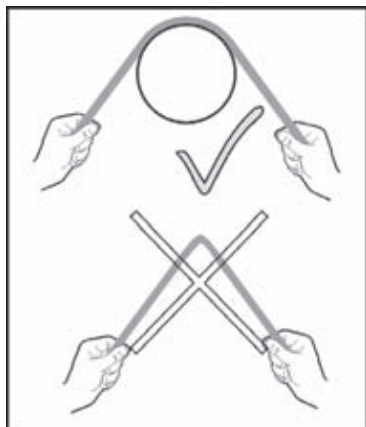


PRESSIONE STATICA ESTERNA - Pa		
CAPACITÀ NOMINALE	NOMINALE	MAX
12/18	25	30
24	25	70
30	37	80
36	37	140
48/60	50	150

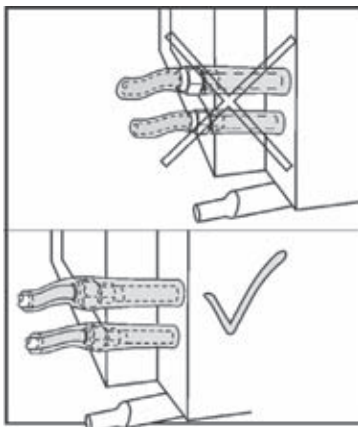


MASSIMA TUBO LUNGHEZZA E ALTEZZA					
CAPACITÀ (KBtu/h)	TUBO LIQUID -TUBO GAS (Inch)	A- L.MAX (m)	B - H.MAX (m)	LUNGHEZZA DI PRECARICA (m)	CHARGE ADDITONAL (g/m)
12	1/4"-1/2"	20	15	7	10
18	1/4"-1/2"	25	15	7	18
24	3/8"-5/8"	30	15	7	54
30	3/8"-5/8"	30	15	7	54
36	3/8"-3/4"	30	15	7	54
48	1/2"-3/4"	50	30	7	90
60	1/2"-3/4"	50	30	9.5	90

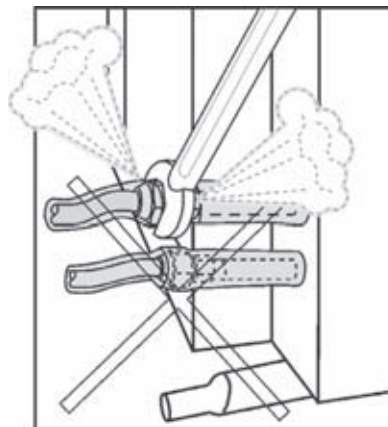
## PRECAUZIONI GENERALI



Usare sempre il supporto di un cilindro di ampio raggio per piegare i tubi, usando l'utensile per la loro piegatura



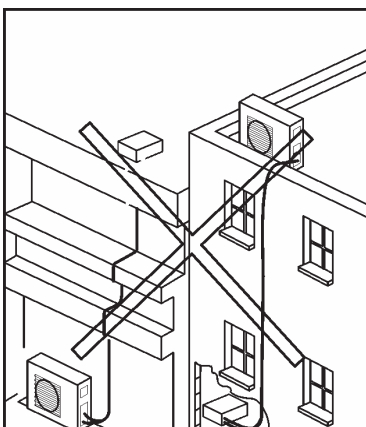
Non lasciare scoperti i dadi di fissaggio per tubi di gas. Isolare i giunti con il materiale isolante per tubi fornito in dotazione



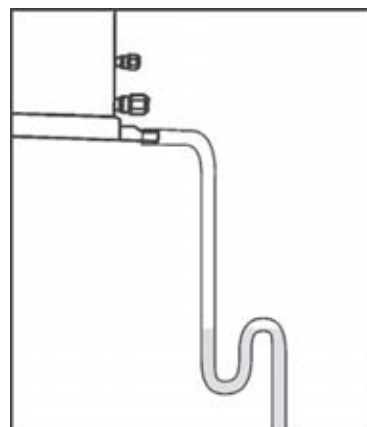
Non svitare i tubi del gas dopo l'installazione



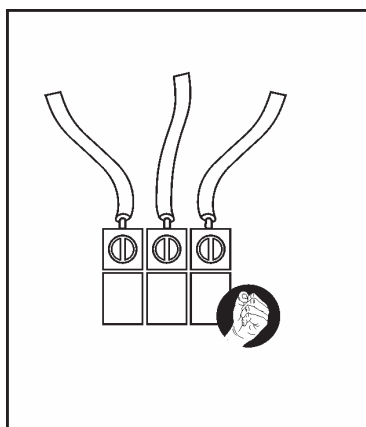
Evitare di sistemare l'unità interna in zone vicine a nebbie d'acqua o d'olio



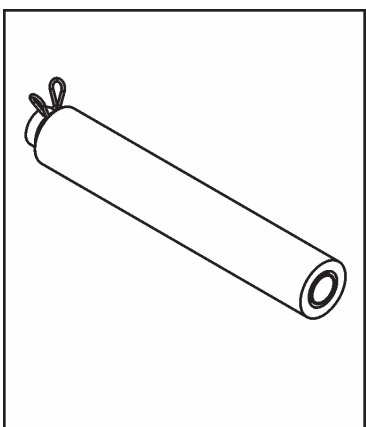
Evitare la piegatura dei tubi, lasciandoli corti quanto più possibile, non più di 3 metri



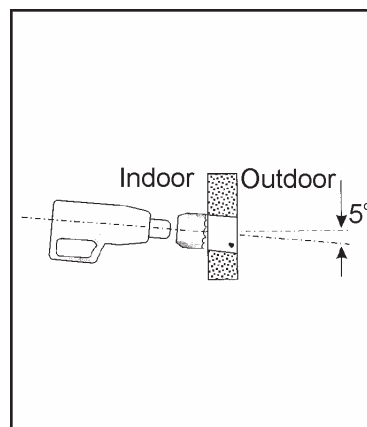
Per evitare cattivi odori, è opportuno inserire separatori d'acqua (sifoni)



Tendere i cavi dei circuiti elettrici



Isolare il tubo di drenaggio



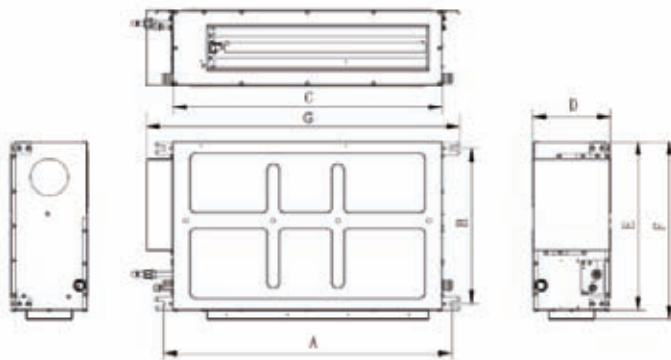
Trapanare il foro a una certa inclinazione per impedire che l'acqua di condensa o l'acqua piovana di penetrare all'interno dell'ambiente

## UNITÀ INTERNA

### UBICAZIONE DELL'UNITÀ

Nella selezione dell'ubicazione dell'unità interna:

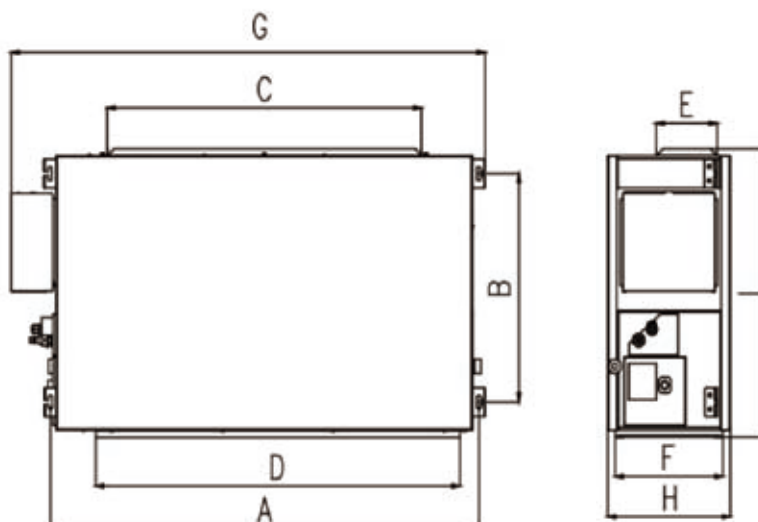
- Deve essere possibile il massimo flusso d'aria verso l'ubicazione selezionata.
- Deve essere consentito il massimo flusso di ritorno.
- Assicurare un adeguato drenaggio dell'acqua di condensa.
- Assicurare l'attenuamento dei rumori vicino alle camere da letto.
- Lasciare almeno 200 mm di spazio libero dietro l'unità.
- Consentire un accesso di servizio agevole alla centralina elettrica.
- Consentire un agevole accesso alla base dell'unità interna lasciando spazio sufficiente dal soffitto.
- Usare gomma scanalata sotto l'unità e giunti flessibili per evitare vibrazioni di risonanza.



Model 12K

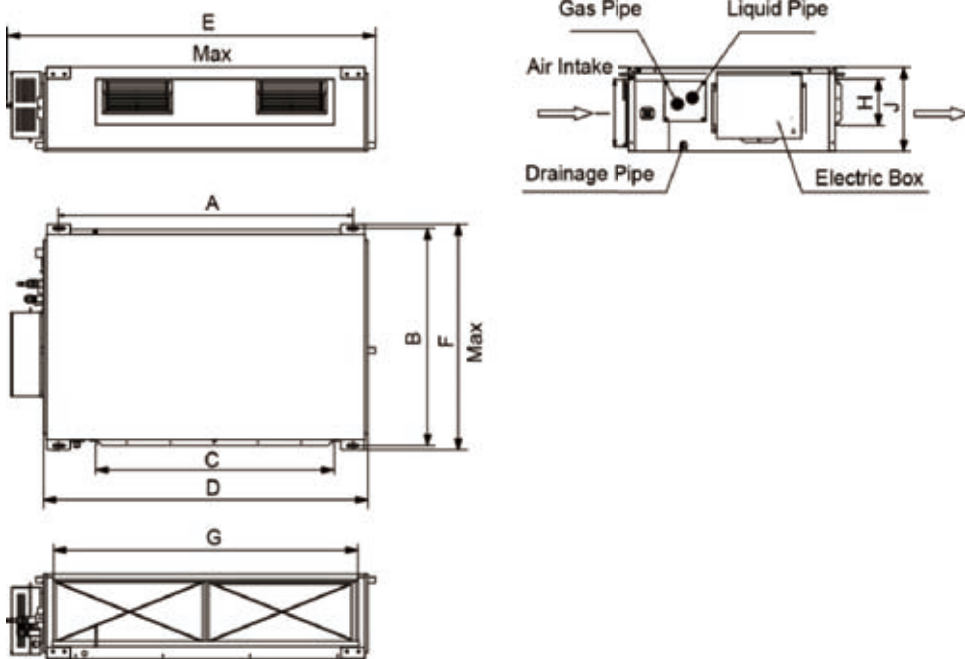
Unit: mm

Model	A	B	C	D	E	F	G
12	760	415	700	200	460	485	824



Model 18K





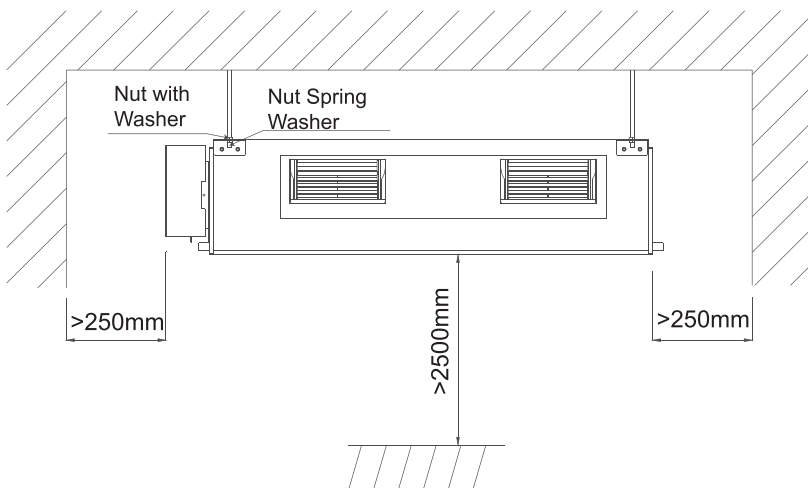
Model 24-60K

Unit: mm

Model	A	B	C	D	E	F	G	H	I	J
18	940	430	740	738	206	125	1015	275	720	
24/30	1101	515	820	1159	1260	555	1002	160	235	270
36/48	1011	748	820	1115	1230	790	979	160	231	290
60	1011	788	820	1115	1235	830	979	160	256	330

ITALIANO

**SPAZIO LIBERO ATTORNO ALL'UNITÀ ED ACCESSO DI SERVIZIO**



## INSTALLAZIONE DELL'UNITÀ

- Inserire 4 aste filettate M10 o 3/8" nel soffitto.
- Introdurre le aste attraverso le aperture delle forcelle di sospensione.
- Posizionare gli ammortizzatori, aggiungere le rondelle ed avvitare i dadi finché l'unità è saldamente sospesa.
- In caso di divario tra l'unità ed il soffitto, inserire uno strato di gomma o di neoprene.

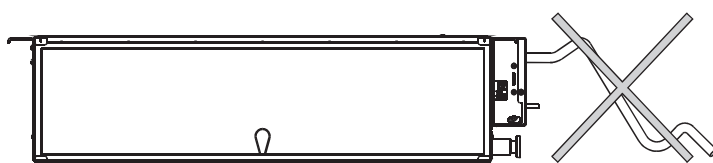
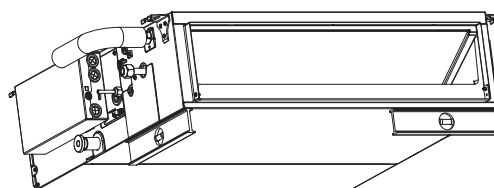
**IMPORTANTE** L'unità deve essere perfettamente a bolla

## INSTALLAZIONE DEL DRENAGGIO

### Informazioni generali

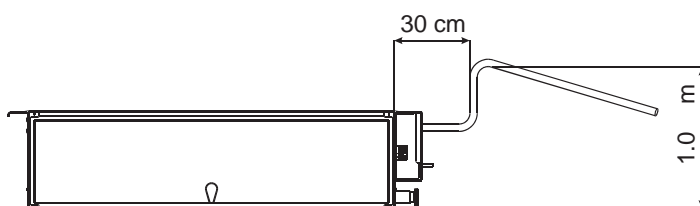
Per il funzionamento efficiente del sistema di drenaggio, bisogna seguire le disposizioni seguenti:

- Bilanciare sempre l'unità inclinata di  $2^\circ$  con il lato di drenaggio più in basso.
- Usare un tubo di drenaggio da ID26 mm.
- È raccomandabile preparare un punto di drenaggio vicino all'unità, eseguito da un idraulico esperto.
- Per un drenaggio corretto, il passaggio deve essere programmato con un'inclinazione di  $1^\circ$  verso il basso.
- Prevenire qualsiasi riflusso verso l'alto e all'indietro, in ogni parte.
- Per prevenire odori spiacevoli nell'ambiente, installare un sifone in un punto del tubo.
- Installare sul tubo di drenaggio un manicotto isolante termico da 6 mm di spessore.



### Drenaggio orizzontale

- L'unità comprende una pompa di drenaggio, che può sollevare l'acqua di condensa fino a 100cm al di sopra del livello inferiore dell'unità. Il tubo di drenaggio è collegato all'apertura di drenaggio superiore.
- Il ruolo dell'apertura di drenaggio inferiore è quello di vuotare la vaschetta prima delle operazioni di manutenzione dell'unità.
- Installare sul tubo di drenaggio un manicotto isolante termico dello spessore di 5-10 mm per evitare gocciolamenti.

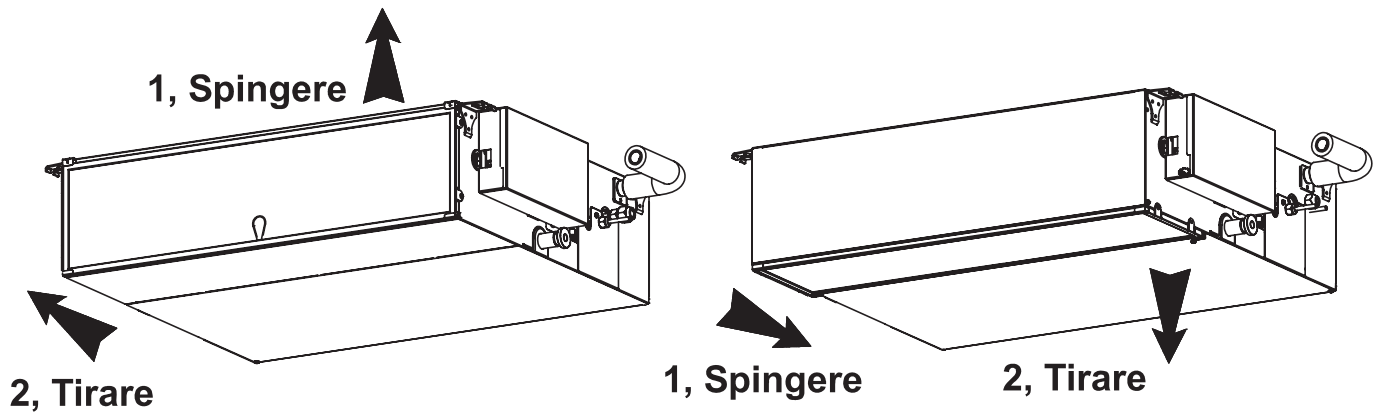


## POSIZIONE DEL FILTRO D'ARIA

Il filtro dell'aria si trova sulla parte posteriore del condizionatore (predisposto in fabbrica) ma può essere facilmente spostato sul fondo dell'unità se ciò è richiesto.

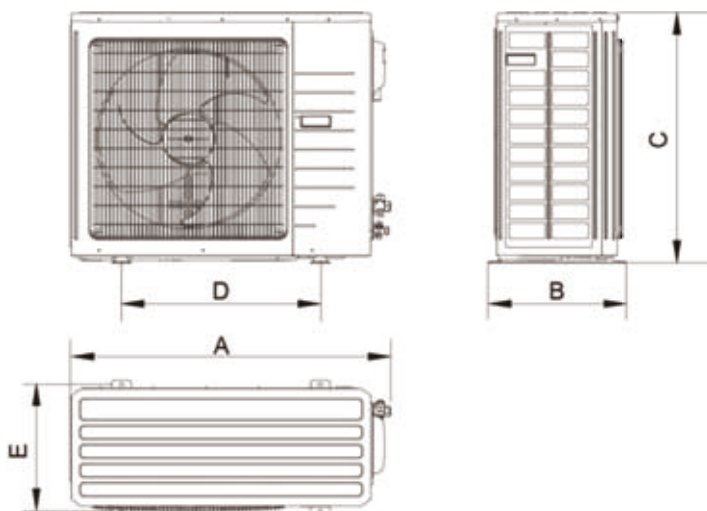
## PULIZIA DEL FILTRO D'ARIA

Per pulire il filtro rimuoverlo tirandolo verso la parte posteriore dell'unità ed estrarlo come descritto di seguito.

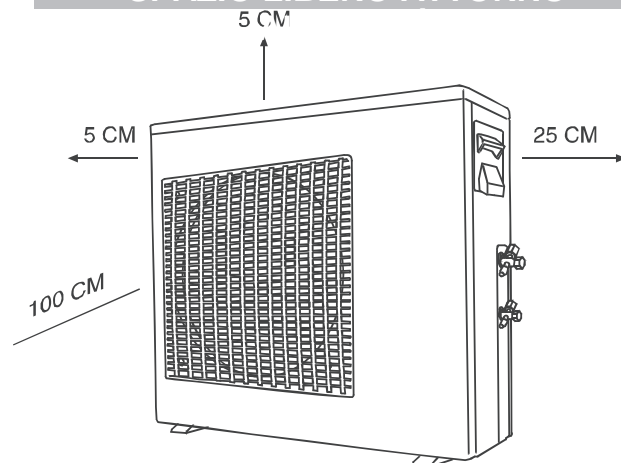


## UNITÀ ESTERNA

### DIMENSIONI DELL'UNITÀ



### SPAZIO LIBERO ATTORNO



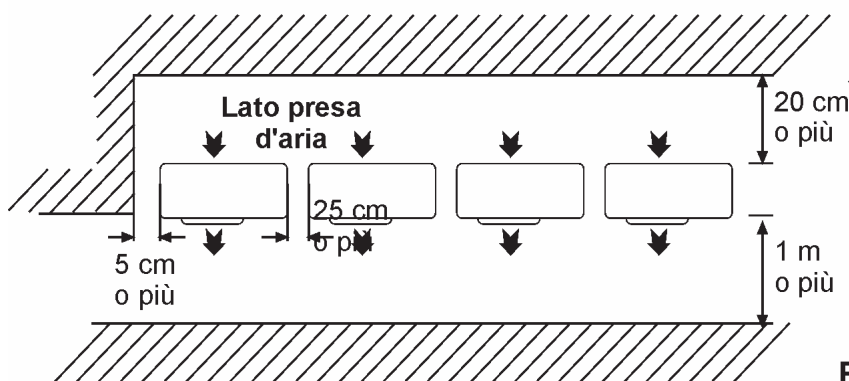
Unit: mm

CAPACITÀ(KBtu/h)	A	B	C	D	E
12	848	320	540	540	286
18/24	955	395	700	560	360
30/36	980	425	790	610	395
48	1120	440	1100	631	400
60	980	410	1350	572	376

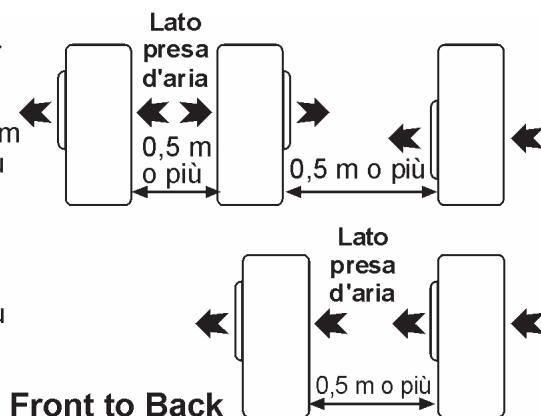
## INSTALLAZIONE DI ALCUNE UNITÀ ESTERNE

Quando si installano più unità esterne tenere in

### Installazione lineare



### Tergo a tergo e fronte a fronte

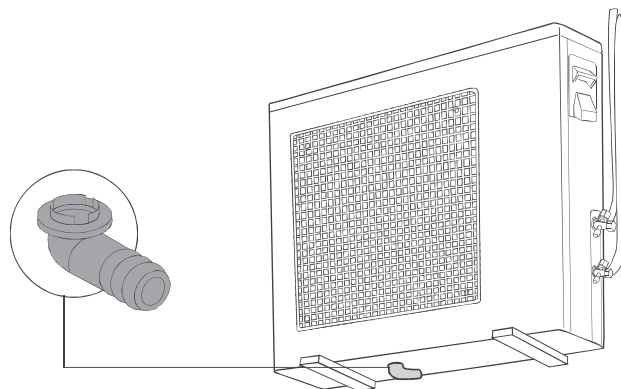


## ELIMINAZIONE DELL'ACQUA DI CONDENZA DELL'UNITÀ ESTERNA

Se viene usato un giunto a gomito, l'unità deve essere sollevata dal pavimento di almeno 3 cm.

Installare il tubo in modo che sia rivolto verso il basso per consentire un flusso scorrevole dell'acqua di drenaggio.

Usare un tubo di drenaggio del diametro interno di 16 mm.



## COLLEGAMENTO DEI TUBI

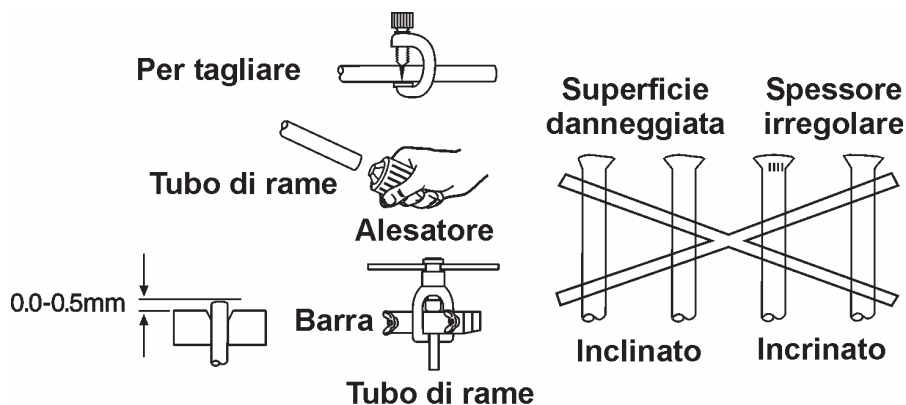
### TAGLIO E SVASAMENTO DEI TUBI

1. Per il taglio dei tubi va usato l'apposito utensile.

2. Eliminare ogni sbavatura usando l'utensile alesatore. Se non sono eliminate tutte le sbavature possono sopravvenire fughe di gas!

Tenere le estremità rivolte verso il basso per evitare che la polvere metallica entri nei tubi.

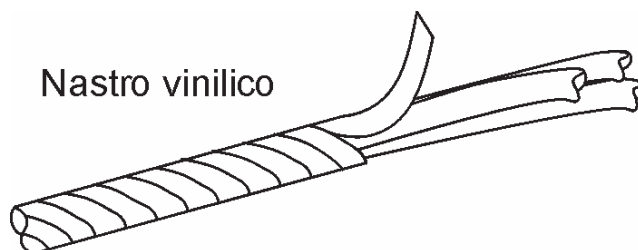
3. Dopo aver inserito sul tubo il dado di fissaggio, eseguire la svasatura.



### Isolante per i tubi

1. Isolare le zone di giunzione dei tubi come illustrato nel diagramma di installazione dell'unità interna/esterna. Avvolgere l'estremità del tubo isolato per evitare che l'acqua penetri.

2. Questo qualora il tubo di drenaggio o i tubi di collegamento si trovino nel locale in cui può formarsi condensa. Aumentare l'isolamento usando POLY-E FOAM dello spessore di 9 mm o più.



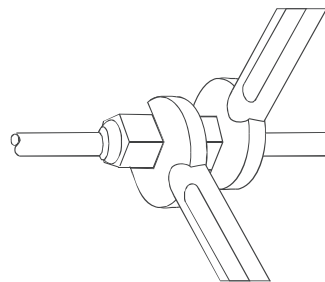
## COLLEGAMENTO DEI TUBI ALL'UNITÀ

### Collegamento dell'unità interna

1. Allineare il centro dei tubi e serrare a mano il dado di fissaggio.
2. Usare poi il torsiometro per serrare il dado definitivamente.

### Collegamento dell'unità esterna

1. Allineare il centro dei tubi alle valvole.
2. Usare poi il torsiometro per serrare le valvole secondo i parametri della tabella che segue.



### Ø dei tubi

1/4"(Inch)

3/8"(Inch)

5/8"(Inch)

1/2"(Inch)

3/4"(Inch)

7/8"(Inch)

### Coppia

15-30 (N·m)

35-40 (N·m)

60-65 (N·m)

45-50 (N·m)

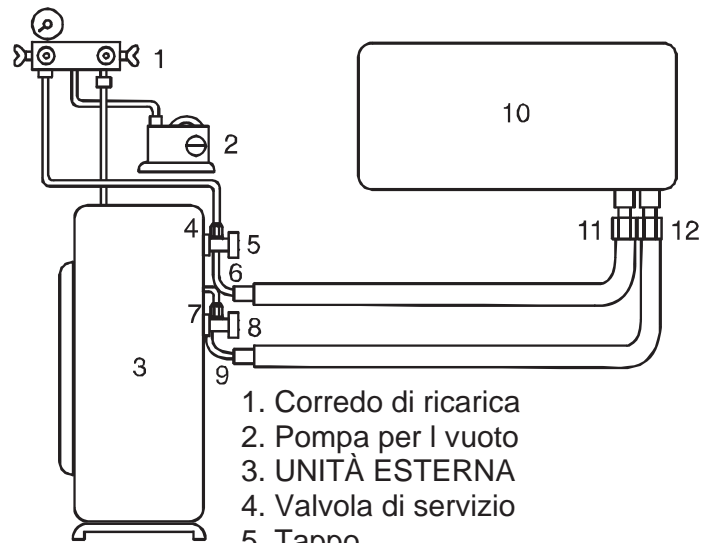
70-75 (N·m)

80-85 (N·m)

## EVACUAZIONE DEI TUBI E DELL'UNITÀ INTERNA

Dopo aver collegato le estremità delle unità interna ed esterna, evacuare l'aria dai tubi e dall'unità interna nel seguente modo:

1. Collegare i tubi di carica con un perno a spinta al lato inferiore del sistema di carica e all'apertura di servizio della valvola di suzione. Accertare il collegamento dell'estremità del tubo di carica con il perno a spinta al portello di servizio.
2. Collegare il tubo centrale del complesso di carica a una pompa per il vuoto.
3. Attivare l'interruttore principale della pompa per il vuoto ed assicurate che l'ago del manometro si sposti da 0MPa (0 cm Hg) a  $-0,1$  mPa ( $-76$ cm Hg). Per funzionare la pompa per quindici minuti.
4. Chiudere le valvole del lato inferiore e superiore del sistema di carica e spegnere la pompa per il vuoto. Osservare che dopo circa cinque minuti l'ago dello strumento non si muova.
5. Disconnettere il tubo di carica dalla pompa per il vuoto e dalle aperture di servizio delle valvole di aspirazione.
6. Serrare i tappi delle aperture di servizio di entrambe le valvole ed aprirle usando una chiave esagonale.
7. Rimuovere i tappi dalle due le valvole ed aprirle usando una chiave esagonale.
8. Rimontare tutti i tappi alle due valvole.
9. Verificare l'assenza di fughe di gas dai quattro giunti e dai tappi delle valvole. Fare il controllo con un rivelatore di fughe o con una spugna imbevuta di acqua saponata.



1. Corredo di ricarica
2. Pompa per il vuoto
3. UNITÀ ESTERNA
4. Valvola di servizio
5. Tappo
6. Valvola di suzione
7. Valvola di servizio\*
8. Tappo
9. Valvola del liquido
10. UNITÀ INTERNA
11. Collegamento flare della linea di suzione
12. Collegamento flare della linea del liquido

*NOTA: Per la ricarica di tubi di varia lunghezza, consultare la tabella dell'unità esterna.*

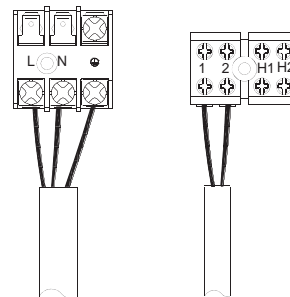
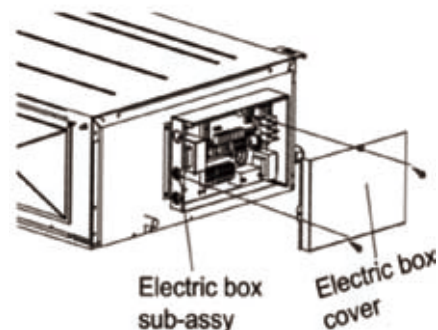
### ALIMENTATORE ELETTRICO

Gli impianti ed i collegamenti devono essere eseguiti da elettricisti qualificati secondo i codici ed i regolamenti elettrici locali. L'unità di condizionamento d'aria deve essere messa a terra.

Il climatizzatore deve essere connesso ad una presa d'alimentazione elettrica adeguata di un circuito elettrico separato protetto da un teleruttore ritardato, come specificato sulla targa dell'unità.

La tensione non deve variare oltre  $\pm 10\%$  della tensione nominale.

1. Preparare le estremità multiple del cavo per i collegamenti.
2. Smontare il coperchio dell'unità interna / esterna ed aprire i morsetti, svitare la vite del morsetto del cavo e capovolgere il morsetto.
3. Collegare tutte le estremità dei cavi delle unità interna ed esterna.
4. Collegare l'altra estremità del cavo bipolare al morsetto bipolare dell'unità esterna.
5. Fissare il cavo elettrico a fili multipli con i serra-cavi.

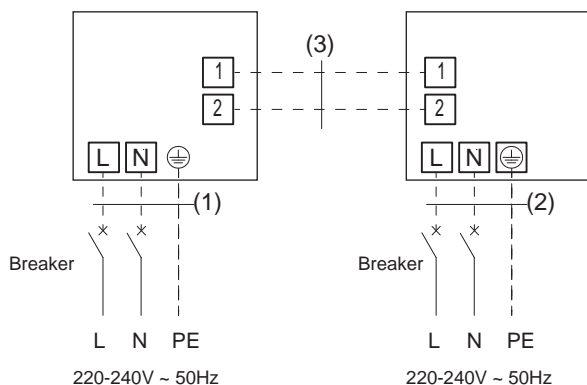




### 12/18/24/30 KBtu/h (1Ph)

#### Unità Esterna

#### Unità Interna



Model 12K
①. Cavo ingresso alimentazione(ODU) 3x2.5mm <sup>2</sup> (H07RN-F)
②. Cavo ingresso alimentazione(IDU) 3x1.0mm <sup>2</sup> (H05RN-F)
③. Cavo di interconnessione 2x0.75mm <sup>2</sup> (H05RN-F)

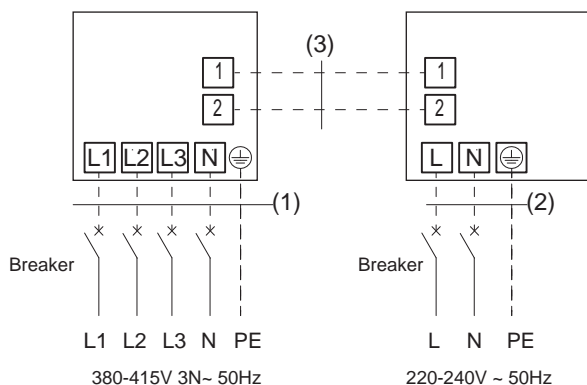
Model 18K
①. Cavo ingresso alimentazione(ODU) 3x2.5mm <sup>2</sup> (H07RN-F)
②. Cavo ingresso alimentazione(IDU) 3x1.0mm <sup>2</sup> (H05RN-F)
③. Cavo di interconnessione 2x0.75mm <sup>2</sup> (H05RN-F)

Model 24/30K
①. Cavo ingresso alimentazione(ODU) 3x4.0mm <sup>2</sup> (H07RN-F)
②. Cavo ingresso alimentazione(IDU) 3x1.0mm <sup>2</sup> (H05RN-F)
③. Cavo di interconnessione 2x0.75mm <sup>2</sup> (H05RN-F)

### 36/48/60 KBtu/h (3Ph)

#### Unità Esterna

#### Unità Interna



Model 36K
①. Cavo ingresso alimentazione(ODU) 5x1.5mm <sup>2</sup> (H07RN-F)
②. Cavo ingresso alimentazione(IDU) 3x1.0mm <sup>2</sup> (H05RN-F)
③. Cavo di interconnessione 2x0.75mm <sup>2</sup> (H05RN-F)

Model 48/60K
①. Cavo ingresso alimentazione(ODU) 5x2.5mm <sup>2</sup> (H07RN-F)
②. Cavo ingresso alimentazione(IDU) 3x1.0mm <sup>2</sup> (H05RN-F)
③. Cavo di interconnessione 2x0.75mm <sup>2</sup> (H05RN-F)

## UNITÀ QUADRANTE VISIVO

### CRITERI DI POSIZIONAMENTO

Si raccomanda di installare l'unità del quadrante di controllo vicino al soffitto in zona centrale e intermedia in condizioni regolari. Va anche tenuto in considerazione l'aspetto estetico. L'unità del quadrante di controllo è collegata al pannello principale di controllo del condizionatore d'aria (unità interna) tramite un cavo di comunicazione. Il cavo è collegato all'unità del quadrante di controllo tramite un connettore veloce. (presa a 8 contatti)

### INSTALLAZIONE A PARETE DELL'UNITÀ DEL QUADRANTE DI CONTROLLO

Trapanare un foro del diametro di 12 mm sulla parete, per l'inserzione del cavo di comunicazione.

Aprire il coperchio dell'unità, trapanare 3 fori sulla parete, in corrispondenza dei fori dell'unità del quadrante di controllo, installare gli inserti ed assicurare l'unità al muro con 3 viti.

L'unità del quadrante di controllo è dotata di uno speciale cavo di comunicazione, lungo 7 metri, che termina con un attacco, connesso a una scatola di distribuzione nella sede stessa, che consente il controllo del condizionatore d'aria da varie stanze diverse, in ciascuna delle quali è installata un'unità del quadrante di controllo.

Collegare il connettore veloce alla presa idonea del pannello principale di controllo nella centralina elettrica dell'unità interna.



#### **PERICOLO**

Se la lunghezza del cavo di comunicazione è insufficiente, l'attacco non deve essere separato dal cavo. In tale caso, può essere aggiunta un cavo di prolunga di 5 metri.

### CONSIDERAZIONI NEL POSIZIONAMENTO DELL'UNITÀ DI TELECOMANDO

- a) Posizionare l'unità di Telecomando in modo che quando essa è montata sul proprio supporto a parete, si trova in linea di vista con l'unità del quadrante di controllo (ed a meno di 8 m da essa).
- b) Si raccomanda di stabilire la posizione finale dell'unità di telecomando solo dopo il primo collaudo, per assicurare la trasmissione e la ricezione corrette tra l'unità di Telecomando e l'unità del quadrante di controllo.

## Lista dei controlli da eseguire prima della messa in funzione

### CONTROLLO DEL DRENAGGIO

Versare acqua nella vaschetta di raccolta del drenaggio.  
Verificare che l'acqua scorra dal tubo di drenaggio dell'unità interna.

### VALUTAZIONE DELLE PRESTAZIONI

Mettere in funzione l'unità in raffreddamento ed alta velocità di ventilazione per quindici minuti o più.  
Misurare la temperatura dell'aria in ingresso ed all'uscita.  
Verificare che la differenza fra la temperatura dell'aria in ingresso e quella dell'aria all'uscita sia maggiore di 8 °C

## LISTA DEI CONTROLLI

- |  |   |
|--|---|
| <input type="checkbox"/> Vi sono fughe di gas dai giunti dei tubi?                                     | <input type="checkbox"/> L'unità interna è ben fissata al soffitto?                           |
| <input type="checkbox"/> È stato eseguito l'isolamento termico dei giunti dei tubi?                    | <input type="checkbox"/> La tensione d'alimentazione elettrica corrisponde a quella di targa? |
| <input type="checkbox"/> I cavi di interconnessione sono ben fissati al pannello terminale?            | <input type="checkbox"/> Si ode alcun suono anormale?   |
| <input type="checkbox"/> Il cavo di collegamento è ben ancorato?                                       | <input type="checkbox"/> Il raffreddamento avviene in modo normale?                           |
| <input type="checkbox"/> Il drenaggio è corretto?<br>(Consultare la sezione "Controllo del drenaggio") | <input type="checkbox"/> Il termostato funziona in modo normale?                              |
| <input type="checkbox"/> La messa a terra elettrica è stata ben eseguita?                              | <input type="checkbox"/> Il quadrante del telecomando funziona in modo normale?               |



## КОНДИЦИОНЕР КАНАЛЬНОГО С ЭЛЕКТРОННЫМ УПРАВЛЕНИЕМ

### R410A



РУССКИЙ

РУССКИЙ

CE

# Начало Работы...

## перечень потребных инструментов

- |  |   |                   |
|--|---|-------------------|
| 1. Отвёртка                                | 8. Детектор утечки газа                   | 15. Торцевой ключ |
| 2. Электродрель,<br>сверло-коронка (60 мм) | 9 Рулетка                                 | 18 Nm (1.8 кгс.м) |
| 3. Торцевой гаечный ключ                   | 10. Термометр                             | 45 Nm (4.5 кгс.с) |
| 4. Гаечный ключ                            | 11. Мегаметр                              | 65 Nm (6.5 кгс.м) |
| 5. Труборез                                | 12. Универсальный<br>измерительный прибор | 75 Nm (7.5 кгс.с) |
| 6. Развёртка                               | 13. Вакуумный насос                       | 85 Nm (8.5 кгс.с) |
| 7. Нож                                     | 14. Патрубок с манометрами (для R-410A)   |                   |

## ВНИМАНИЕ

- Выбор основания для установки. Выбрать основание, достаточно жесткое и прочное для поддержки установки, выбрать основание, удобное для обслуживания.
- Не допускать утечки хладагента при монтаже и повторном монтаже труб и при ремонте деталей охладителя. Осторожно обращайтесь с жидким охладителем, он может вызвать обморожение.
- Монтажные работы. Для выполнения монтажных работ могут понадобиться два человека.
- Данное устройство не следует монтировать в прачечной или во влажной среде, там, где вода может капать с потолка и т.д.

Рабочая температура От

## ON-OFF

		Внутренний		Внешний	
		DB[°C]	WB[°C]	DB[°C]	WB[°C]
Охлаждение	Верхний предел	32	23	43	NA
	Нижний предел	21	15	-15	NA
Обогрев	Верхний предел	27	NA	24	18
	Нижний предел	10	NA	-10	-11

## Содержание:

Инструменты для монтажа/обслуживания.....	5
Прилагаемые материалы .....	7
<b>Общие сведения</b> .....	8
<b>Общие предосторожности</b> .....	11
<b>Внутренняя установка</b> .....	11
Доступ к установке .....	12
Монтаж установки .....	13
Монтаж дренажа.....	13
Размещение воздушного фильтра.....	14
<b>Наружная установка</b> .....	15
Размеры установки .....	15
Некоторые типы наружной установки.	15

Отвод конденсированной воды от наружной установки .....	16
<b>Соединения трубопроводов</b> .....	16
Резка и расширение.....	16
Изоляция труб .....	16
Присоединение трубы к установке ...	17
Вакуумирование труб и внутренняя установка .....	18
<b>Электрические соединения</b> .....	19
<b>Блок управления дисплеем</b> .....	21
<b>Перечень проверок перед вводом в эксплуатацию</b> .....	22

## Указания по безопасности

Перед монтажом внимательно прочтите данные «УКАЗАНИЯ ПО БЕЗОПАСНОСТИ». Работы по электро-монтажу должны выполняться дипломированным электриком. Убедитесь в том, что используется разъём электро-питания правильного значения и электросеть соответствует модели монтируемой установки. Вышеуказанные предосторожности следует соблюдать, поскольку они относятся к безопасности. Каждое обозначение используется как указано ниже.

Неправильный монтаж вследствие пренебрежения инструкциями нанесёт ущерб здоровью или вызовет повреждение, тяжесть которых классифицируется ниже следующими показателями. Выполните испытания и убедитесь в том, что после завершения монтажа никаких отклонений не происходит. Затем объясните пользователю работу установки, уход и эксплуатацию, как указано в инструкциях. Напомните заказчику о том, что для справок в будущем следует пользоваться рабочими инструкциями.

**Позиции, которые следует выполнять, обозначаются следующими символами:**



**ПРЕДУПРЕЖДЕНИЕ**




Это обозначение указывает на возможность смерти или серьёзного ранения.



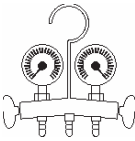
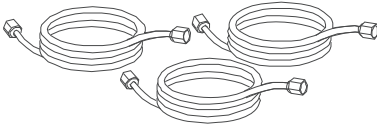


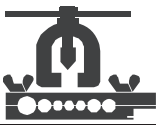

Символ на белом фоне означает позицию, которую **ЗАПРЕЩАЕТСЯ** выполнять.



## ПРЕДУПРЕЖДЕНИЕ

1. Работа должна выполняться квалифицированным монтажником, тщательно соблюдайте инструкции, в противном случае может произойти поражение электрическим током, водяная протечка или могут возникнуть эстетические проблемы.
2. Монтаж следует производить на прочном и жестком основании, способном выдержать вес комплекта. Если прочность основания недостаточна, либо монтаж выполнен неправильно, установка упадет, и это может принести ущерб.
3. При выполнении электромонтажа соблюдайте местные стандарты по электропроводке, правила и инструкции по монтажу. Следует применять независимую схему и одиночный вывод. Если нагрузочная способность схемы недостаточна, это вызовет поражение электрическим током или пожар.
4. Пользуйтесь кабелем, указанным в спецификации и надёжно выполняйте внутренние/наружные соединения. Надёжно соединяйте и фиксируйте кабель т.о., чтобы на зажимах не действовала электрическая мощность. Если соединение или закрепление несовершенны, это приведёт к перегреву или возгоранию на соединении.
5. Маршрутизация проводки должна быть выполнена надлежащим образом с тем, чтобы крышка панели управления надёжно закреплялась. Если крышка панели управления не закрывается как надо, это приведёт к перегреву в точке соединения на терминале, возгоранию или поражению электрическим током.
6. Перед получением доступа к терминалам, все контуры подачи мощности должны быть отсоединены.
7. Перед выполнением соединения трубопроводов проследите, чтобы в цикле охлаждения не были использованы воздушные смеси, отличные от указанного охладителя, иначе это приведёт к снижению объёма, слишком высокому давлению в цикле охлаждения, взрыву и ранению. 
8. Не пользуйтесь повреждённым или отличным от указанного в спецификации шнуром питания. В противном случае это приведёт к возгоранию или поражению электрическим током. 
9. Не изменяйте длины шнура питания, не пользуйтесь шнуром-удлинителем, не используйте единичный вывод для присоединения других электрических устройств. В противном случае это приведёт к возгоранию или поражению электрическим током.
10. Оборудование установки должно быть заземлено. Если заземление несовершенно, это может привести к поражению током. 
11. Не монтируйте установку в том месте, где может произойти утечка горючего газа. Если вблизи установки будет происходить утечка и скопление газа, может произойти возгорание.
12. Дренажный трубопровод следует выполнить в соответствии с указаниями инструкций по монтажу. Если дренаж выполнен неправильно, вода может оказаться в помещении и повредить мебель.
13. Поврежденный шнур питания должен быть заменен изготовителем, его агентом по обслуживанию или лицом соответствующей квалификации с тем, чтобы избежать ущерба.



Монтаж/обслуживание инструментов для R410A	Изменения
Патрубок с манометрами 	Поскольку рабочее давление высокое, невозможно измерять рабочее давление при помощи обычных манометров. Диаметры впускных отверстий уменьшены для предотвращения загрузки охладителя, отличного от указанного.
Загрузочный шланг 	Для увеличения силы сопротивления давлению, материалы шланга и размеры впускных отверстий изменены (до 1/2 витков UNF 20 на дюйм). При заказе загрузочного шланга убедитесь в его соответствии по размерам впускных отверстий.
Электронные весы для загружаемого хладагента 	Поскольку рабочее давление велико и скорость газификации велика, затруднительно прочесть указываемые значения при помощи загрузочного цилиндра, так как возникают воздушные пузырьки.
Торцевой ключ (номинальный диаметр 1/2, 5/8) 	Размер противоположных конусных гаек увеличен. Однако обычный ключ используется для номинальных диаметров 1/4 и 3/8.
Инструмент для расширения труб (типа тисков) 	Вследствие увеличения прижимных планок, воспринимающих размер отверстия, сила пружины в инструменте увеличена.
Калибр для регулировки проекции	Применяется в том случае, если расширение выполняется обычным инструментом для расширения.
Адаптер и обратный клапан вакуум-насоса	Присоединяется к обычному вакуум-наосу. Необходимо пользоваться адаптером для предотвращения обратного тока масла из вакуум-насоса в загрузочный шланг. Соединительная часть загрузочного шланга имеет два впускных отверстия – одно для обычного охладителя (7/16 UNF 20 витков на дюйм) и одно для R410A. Если масло вакуум-насоса (минеральное) смешать с R410A, может образоваться шлам и произойдет повреждение оборудования.
Детектор утечки газа 	Только для охладителя HFC.

Следует заметить, что «баллон с хладагентом» поступает с обозначением хладагента (R410A) и с защитным покрытием розового цвета в соответствии с указаниями U.S's ARI (ARI кодовая окраска: PMS 507). Кроме того, для «впускного отверстия и упаковки баллона хладагента» требуется 1/2 UNF 20 витков на дюйм в соответствии с размером впускного отверстия шланга.

## Предостережение при монтаже кондиционера с R410A

---

В ЭТОМ КОНДИЦИОНЕРЕ ИСПОЛЬЗУЕТСЯ НОВЫЙ ХЛАДАГЕНТ HFC (R410A), НЕ РАЗРУШАЮЩИЙ ОЗОНОВЫЙ СЛОЙ. Хладагент R410A склонен подвергаться влиянию загрязнений, таких, как вода, окисляющая плёнка и масла, поскольку рабочее давление хладагента R410A примерно в 1.6 раз превышает давление хладагента R22. Совместно с использованием нового хладагента, смазочное масло охлаждения также было заменено. Поэтому при выполнении монтажных работ следует убедиться в том, что в кондиционер с новым типом хладагента R410A не проникают вода, прежний хладагент или смазочное масло охлаждения. Для предотвращения смешивания хладагента или смазочного масла охлаждения, размер соединительных частей на впускных отверстиях основной установки и на монтажных инструментах отличаются от применяемых для установок с обычным хладагентом. Соответственно, для установок с новым хладагентом (R410A) требуется использование специальных инструментов. Для соединительных трубопроводов следует использовать трубы из новых, чистых материалов с соединительными частями для высокого давления, выполненными специально для R410A.

Не выпускайте **R410A** в атмосферу: **R410A** представляет собой фторированный газ, вызывающий парниковый эффект, предусматриваемый протоколом Киото, с потенциалом глобального потепления (GWP) = **1730**

Помимо этого, не используйте существующие трубопроводы, поскольку в существующих трубопроводах возникают проблемы с соединительными частями и возможными загрязнениями.

### Изменения в продукте и в компонентах

В кондиционерах с использованием R410A, для того, чтобы предотвратить случайную загрузку другого хладагента, размер диаметра впускного отверстия контрольного клапана (трёхходового клапана) наружной установки изменён. (1/2 UNF 20 витков на дюйм).

Для увеличения силы сопротивления давлению в трубопроводах хладагента, размеры диаметра расширения и противоположной конусной гайки были изменены (для медных труб с номинальными размерами 1/2 и 5/8). В случае сварки труб убедитесь в том, что внутри труб используется сухой азот).

Для R410A используйте медные трубы специальной толщины :

1/4"-1/2" 0.8 мм

5/8"-3/4" 1 мм

## ПРИЛАГАЕМЫЕ МАТЕРИАЛЫ

Описание	К-ство	Наименование	Назначение
	1	Руководство для техника-монтажника	Инструкции по монтажу
	1	Руководство по дистанционному управлению	Рабочие инструкции по дистанционному управлению
	1	Руководство по дисплею установки	Рабочие инструкции
	1	Дистанционное управление с батарейками	Включение кондиционера
	1	Держатель для дистанционного управления	Подвеска дистанционного управления на стене
	1	Дисплей пульта управления	Оперативный и основной рабочий дисплей
	4	Стяжки	Уплотнение электрических кабелей внутренней и наружной установки
	по 4	Дюбели-винты-шайбы	Монтаж консоли для дистанционного управления и дисплея центрального управления
	1	Сливное колено	Присоединение дренажного шланга к наружной установке
	1+1	Изоляция газопроводов	Дополнительная изоляция двух присоединений газопроводов

## ОБЩИЕ СВЕДЕНИЯ

Внутренняя установка

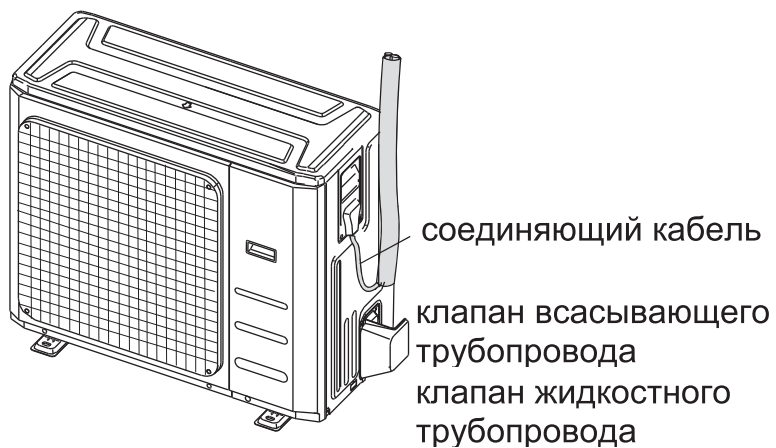
Установка может быть смонтирована как скрытая установка над подвесным потолком .

Поскольку установка скрытая, а не канальная установка, очень важно, чтобы длина каналов соответствовала значениям максимально допустимого наружного статического давления, указанного в таблице на стр. 10.

Горизонтальный монтаж

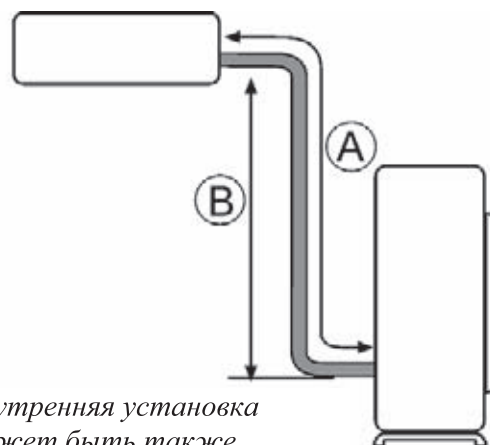


наружный модуль



**НАРУЖНОЕ СТАТИЧЕСКОЕ ДАВЛЕНИЕ - Pa**

номинальная мощность	номинальное	максимальное
12/18	25	30
24	25	70
30	37	80
36	37	140
48/60	50	150

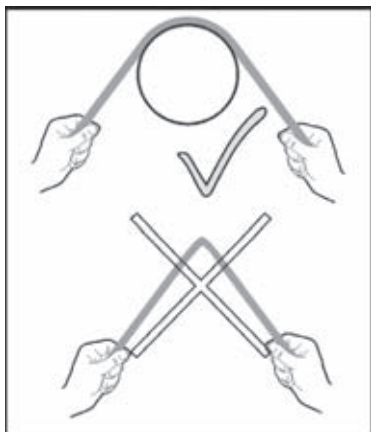


*Внутренняя установка может быть также смонтирована ниже наружной установки*

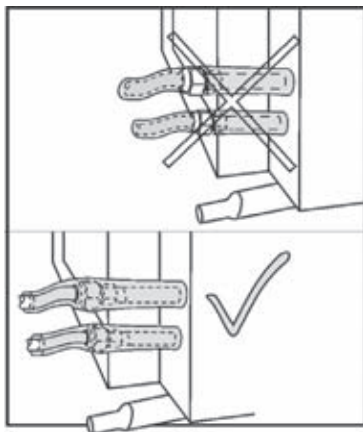
**MAXIMUM PIPES LENGTH & HEIGHT**

номинальная (KBtu/h)	Труба Жидкость - газ (Inch)	A- L.MAX (m)	B - H.MAX (m)	LENGTH OF PRECHARGE (m)	ADDITIONAL CHARGE (g/m)
12	1/4"-1/2"	20	15	7	10
18	1/4"-1/2"	25	15	7	18
24	3/8"-5/8"	30	15	7	54
30	3/8"-5/8"	30	15	7	54
36	3/8"-3/4"	30	15	7	54
48	1/2"-3/4"	50	30	7	90
60	1/2"-3/4"	50	30	9.5	90

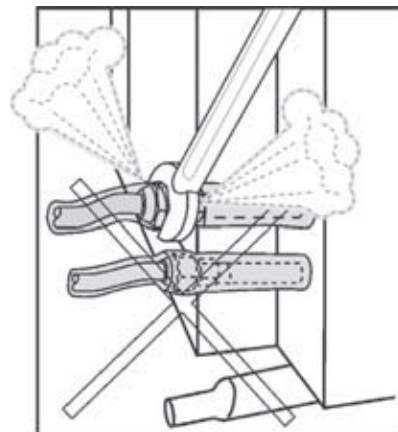
## ОБЩИЕ ПРЕДОСТОРОЖНОСТИ



При бандажировании труб всегда пользуйтесь опорами из цилиндров большого радиуса, применяя трубогибочные инструменты



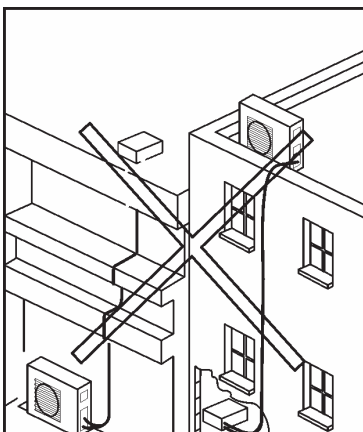
Не оставляйте незакрытыми гайки газопроводов. Изолируйте соединения поставляемой изоляцией для труб



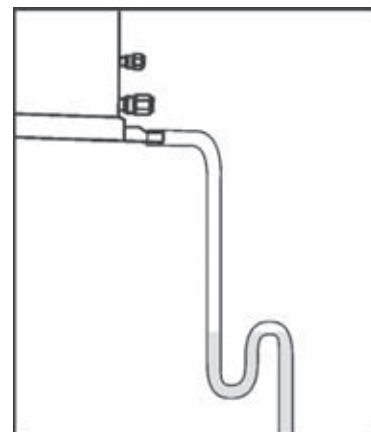
Не отвинчивайте гайки газопроводов после монтажа



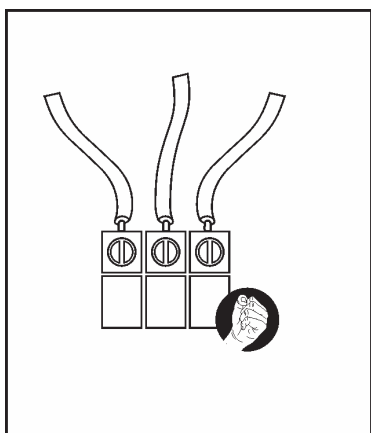
Избегайте расположения внутренней установки вблизи паров воды или масла



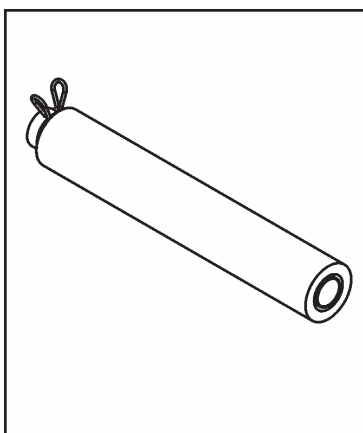
Избегайте перегибов труб и старайтесь, чтобы их прокладка была как можно короче, минимум 3 метра



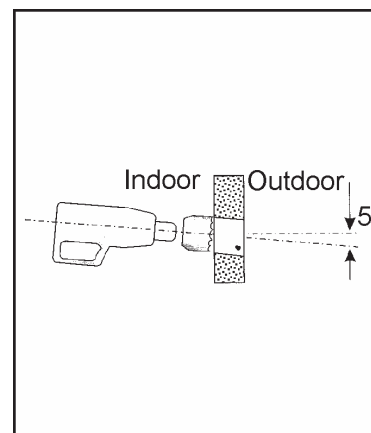
Создание водяного затвора (сифона) предотвратит плохие запахи



Затяните кабели в электрической схеме



Изолируйте дренажную трубу



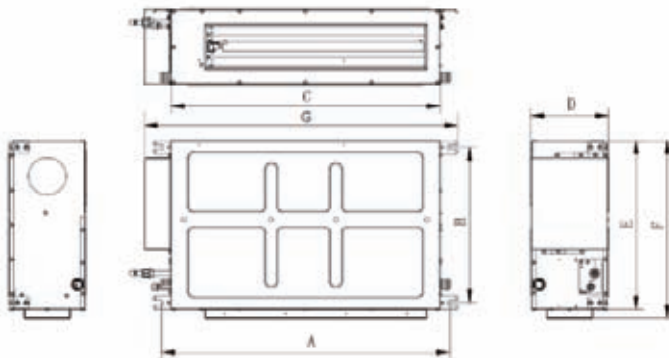
Сверлите отверстие под углом, чтобы избежать проникновения конденсатной или дождевой воды обратно в помещение

## ВНУТРЕННЯЯ УСТАНОВКА

### РАСПОЛОЖЕНИЕ УСТАНОВКИ

При выборе места для внутренней установки :

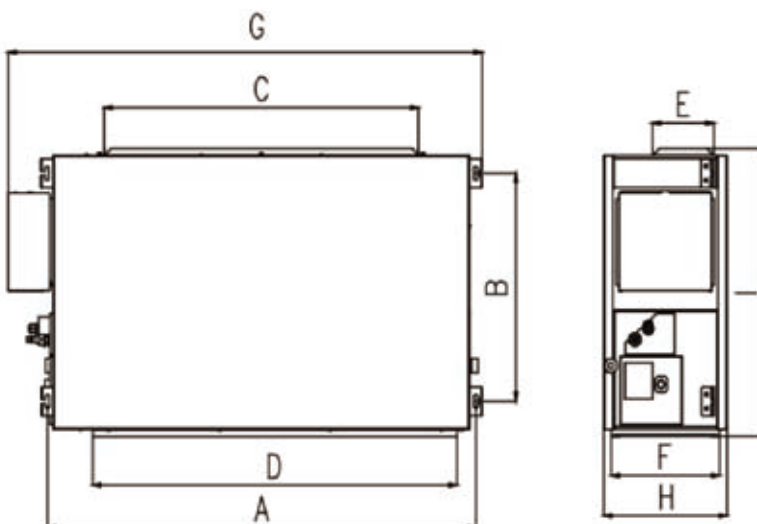
- а. Обеспечьте максимальный воздушный поток в предполагаемом месте.
- б. Обеспечьте максимальный возвратный поток воздуха.
- в. Обеспечьте достаточный дренаж конденсатной воды.
- г. Обеспечьте снижение шума возле спален.
- д. С задней стороны установки оставьте свободное пространство минимум 200 мм.
- е. Обеспечьте свободный доступ для обслуживания распределительного ящика.
- ж. Обеспечьте доступ к основанию внутренней установки, создавая достаточное расстояние до потолка.
- з. Для предотвращения резонансных вибраций используйте рифлёную резину под установкой и гибкие соединения.



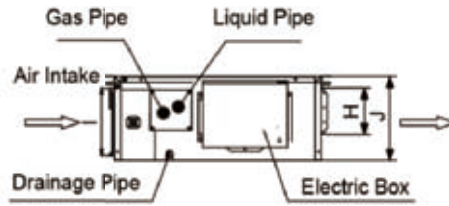
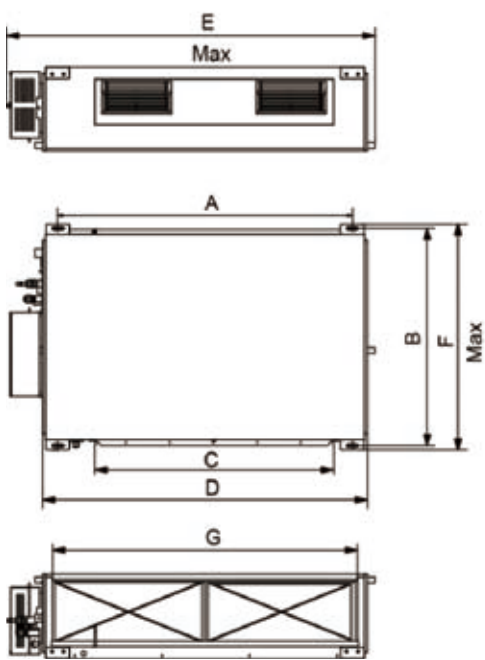
Model 12K

Unit: mm

Model	A	B	C	D	E	F	G
12	760	415	700	200	460	485	824



Model 18K

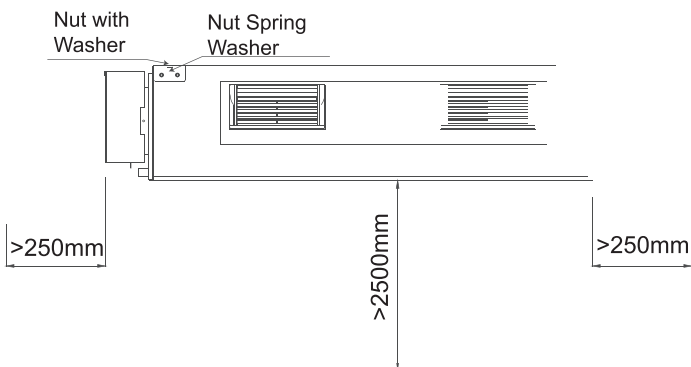


Model 24-60K

Unit: mm

Model	A	B	C	D	E	F	G	H	I	J
18	940	430	740	738	206	125	1015	275	720	
24/30	1101	515	820	1159	1260	555	1002	160	235	270
36/48	1011	748	820	1115	1230	790	979	160	231	290
60	1011	788	820	1115	1235	830	979	160	256	330

**ПРОСВЕТ ВОКРУГ УСТАНОВКИ И ДОСТУП ДЛЯ ОБСЛУЖИВАНИЯ**





## МОНТАЖ УСТАНОВКИ

- а. Вмонтировать в потолок стержни с резьбой 4 M10 или 3/8".
- б. Пропустить стержни через прорези в кронштейне подвески установки
- в. Установить амортизаторы, поставить шайбы и затягивать гайки до тех пор, пока установка не будет надёжно закреплена.
- г. В случае, если между установкой и потолком существует просвет, вставить в него лист резины или неопрена.

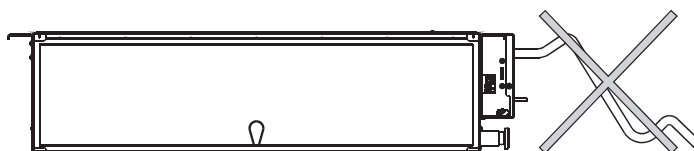
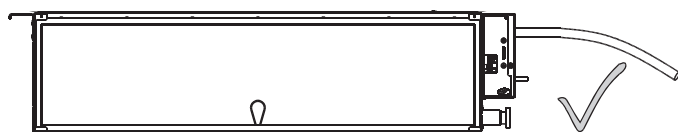
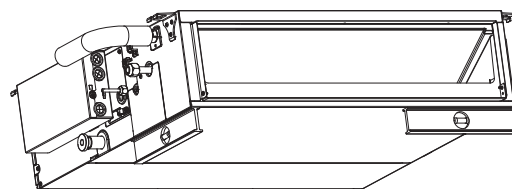
**ВАЖНО** установка должна быть выровнена

## МОНТАЖ ДРЕНАЖА

### Общая часть

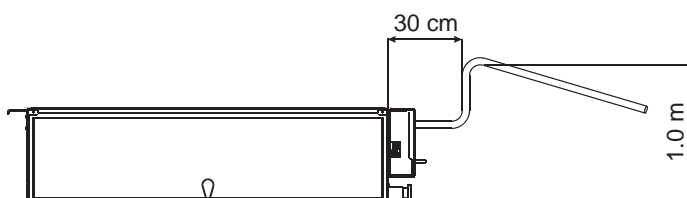
Для того, чтобы дренажная система действовала эффективно, следует выполнить следующее :

- Установка всегда должна быть установлена с уклоном 2° в сторону дренажа.
- Используйте дренажную трубу диаметром ID=26mm
- Рекомендуется, чтобы сантехник-профессионал подготовил точку дренажа вблизи установки.
- Для правильного дренажа проход через стену должен быть выполнен с уклоном 1° вниз.
- На всём протяжении дренажа следует предотвращать обратный поток.
- Для предотвращения неприятных запахов в помещении в монтаже следует установить сифон.
- Дренажная труба должна быть смонтирована в рукаве термоизоляции толщиной 6 мм.



### Горизонтальный дренаж

- В установку включен дренажный насос, способный поднять конденсатную воду на 100 см выше самого низкого уровня установки. Дренажная труба присоединяется к верхнему дренажному патрубку.
- Нижний дренажный патрубок предназначен для опорожнения дренажного поддона перед обслуживанием установки.
- Для предотвращения капания дренажная труба монтируется в рукаве из термоизоляции толщиной 5-10 мм.

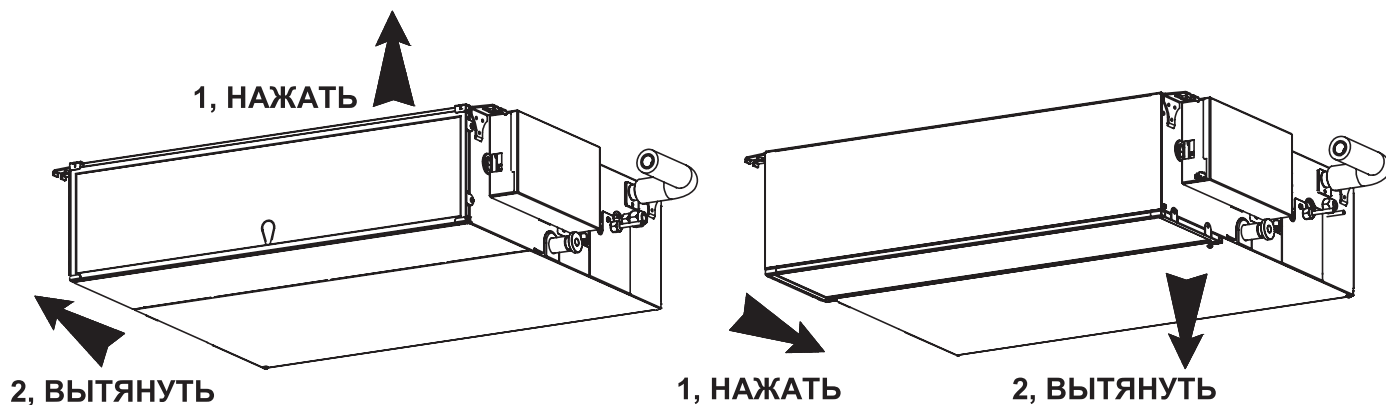


## РАЗМЕЩЕНИЕ ВОЗДУШНОГО ФИЛЬТРА

Воздушный фильтр располагается на задней стороне установки (стандарт завода) но если потребуется, его легко переместить на низ установки.

## ОЧИСТКА ВОЗДУШНОГО ФИЛЬТРА

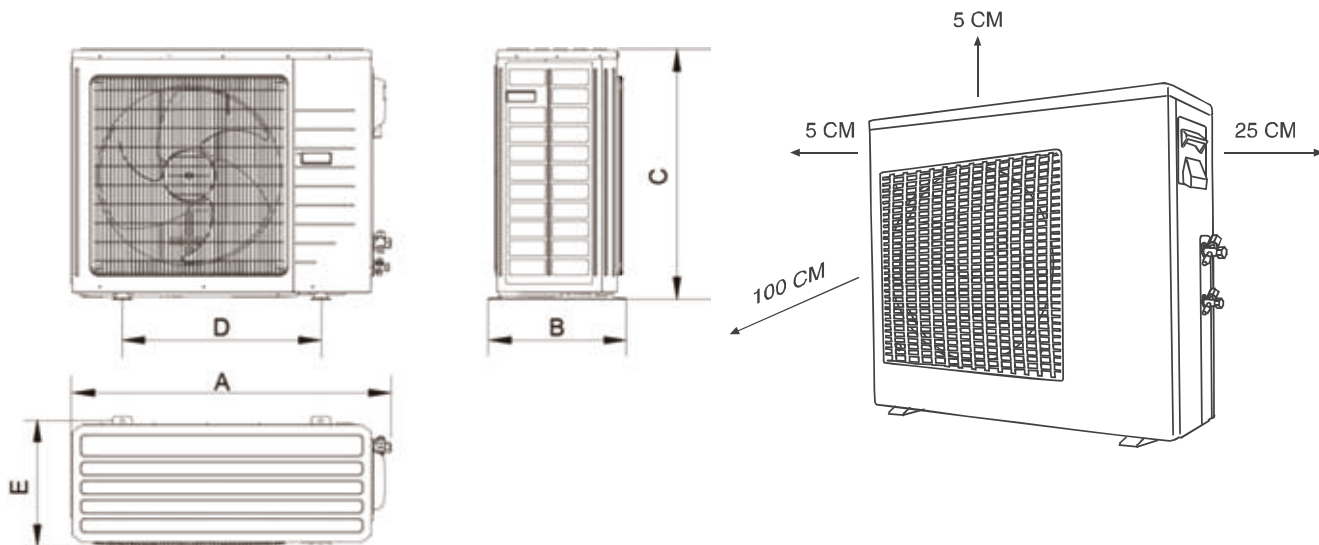
Для очистки фильтр следует удалить, протолкнув его к задней стороне установки и вытянув его, как показано ниже.



# НАРУЖНАЯ УСТАНОВКА

## РАЗМЕРЫ УСТАНОВКИ

## ПРОСВЕТЫ ВОКРУГ УСТАНОВКИ



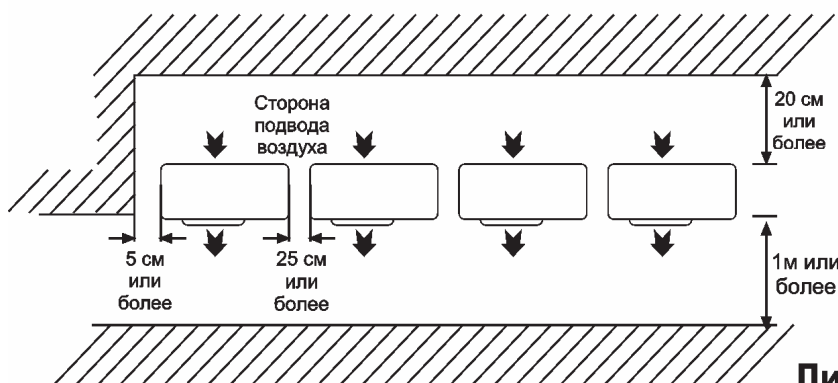
Unit: mm

номинальна(KBtu/h)	A	B	C	D	E
12	848	320	540	540	286
18/24	955	395	700	560	360
30/36	980	425	790	610	395
48	1120	440	1100	631	400
60	980	410	1350	572	376

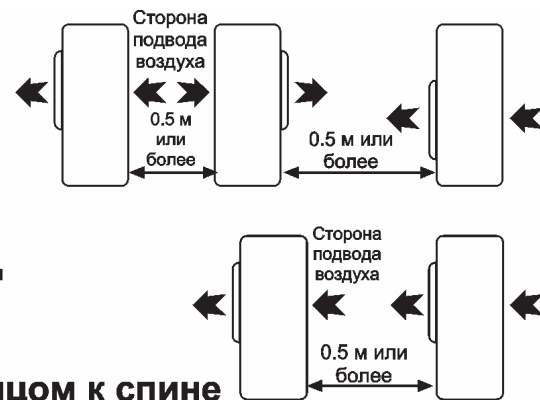
## НЕСКОЛЬКО НАРУЖНЫХ УСТАНОВОК

При монтаже нескольких наружных установок следует учитывать создание потока воздуха вокруг установок и соблюдать указания по минимальным дистанциям как указано на расположенных ниже диаграммах.

### Установка в ряд



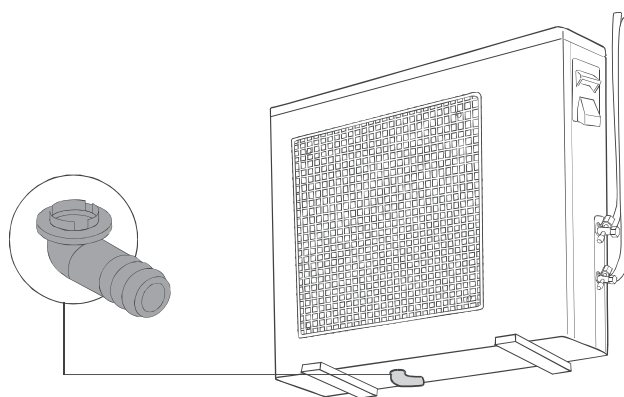
### Спиной к спине Лицом к лицу



## ОТВОД КОНДЕНСАТНОЙ ВОДЫ ОТ НАРУЖНОЙ УСТАНОВКИ

При использовании сливного колена установка должна монтироваться на подставке высотой минимум 3 см. Для обеспечения беспрепятственного стока дренажной воды шланг следует монтировать направленным вниз.

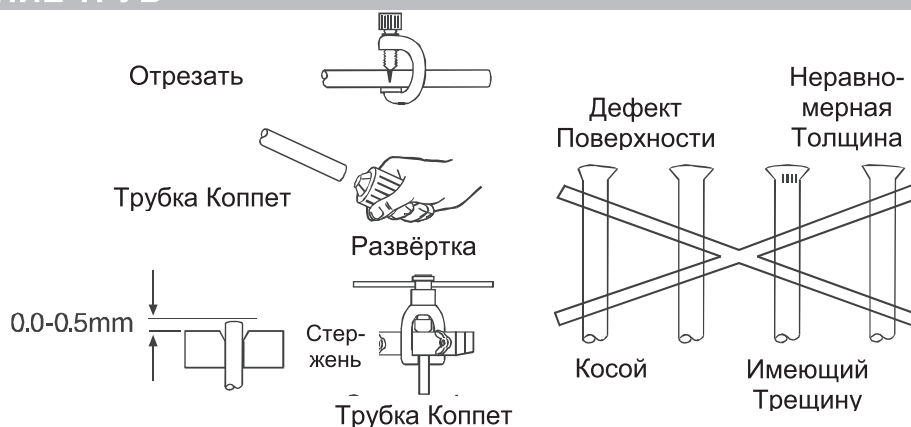
Для дренажа использовать трубу с внутренним диаметром 16 мм.



## СОЕДИНЕНИЯ ТРУБ

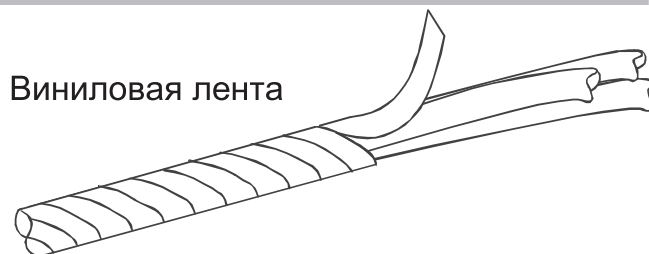
### РАЗРЕЗАНИЕ И РАСШИРЕНИЕ ТРУБ

1. Для разрезания труб пользуйтесь труборезом.
2. При пользовании развёртки удаляйте все заусеницы. Если не удалить заусеницы, может произойти утечка газа! Для того, чтобы металлическая пыль не попала в трубы, следует повернуть трубу концом вниз.
3. После установки конусной гайки в медную трубу следует выполнить расширение.



## ИЗОЛЯЦИЯ ТРУБ

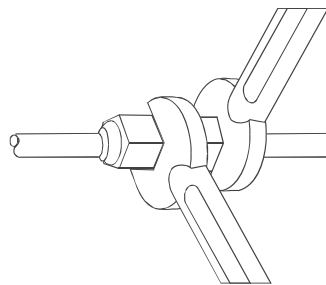
1. Изоляцию на соединительных частях труб следует выполнять в соответствии с указаниями на Диаграмме Монтажа Внутренней/Наружной Установки. Заверните конец изолированной трубы с тем, чтобы предотвратить попадание воды внутрь трубопроводов.
2. Если дренажный рукав или соединительные трубы расположены в помещении (где может произойти отпотевание) – следует усилить изоляцию за счет использования POLY-E FOAM толщиной 9 мм или более.



## ПРИСОЕДИНЕНИЯ ТРУБ К УСТАНОВКЕ

### Присоединение к внутренней установке

1. Выровняйте центры труб и затяните пальцами конусную гайку.
2. Для прочного затягивания гайки используйте торцевой ключ.



### Присоединение к наружной установке

1. Выровняйте центры труб по отношению к клапанам.
2. Для затягивания клапанов используйте торцевой ключ как указано в таблице:

Диаметр трубки  
(PUT SIGN)

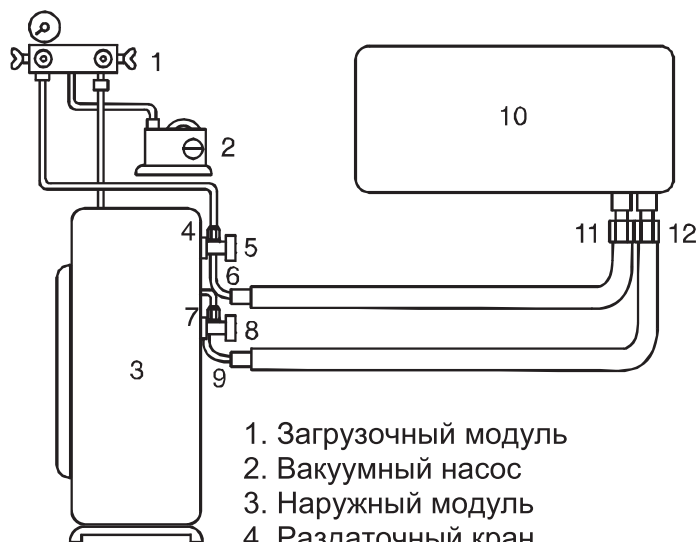
Сила  
Затягивания

1/4"(Inch)	15-30 (N·m)
3/8"(Inch)	35-40 (N·m)
5/8"(Inch)	60-65 (N·m)
1/2"(Inch)	45-50 (N·m)
3/4"(Inch)	70-75 (N·m)
7/8"(Inch)	80-85 (N·m)

## ВАКУУМ В ТРУБАХ И ВО ВНУТРЕННЕЙ УСТАНОВКЕ

После выполнения соединений внутренней и наружной установки следует удалить воздух из труб и из внутренней установки следующим образом :

1. Присоедините загрузочные шланги с нажимным штифтом к верхней и нижней стороне загрузочного комплекта и к вспомогательным сосудам клапана всасывания и жидкостного затвора. Убедитесь в том, что конец загрузочного шланга соединен с нажимным штифтом вспомогательного сосуда.
2. Присоедините центральный шланг загрузочного комплекта к вакуум-насосу.
3. Поверните выключатель электропитания вакуум-насоса и убедитесь в том, что игла измерителя движется от 0 МПа (0 см Hg) до - 0.1 Мпа (-76см Hg). Оставьте насос работать в течение 15 минут.
4. Закройте клапана на нижней и верхней стороне загрузочного комплекта и выключите вакуум-насос. Проследите, чтобы игла измерителя не двигалась в течение примерно пяти минут.
5. Отсоедините загрузочный шланг от вакуум-насоса и от вспомогательных сосудов клапана всасывания и жидкостного затвора.
6. Затяните крышки вспомогательных сосудов обоих клапанов и откройте их с помощью гексагонального торцевого внутреннего ключа.
7. Снимите крышки обоих клапанов и откройте их с помощью гексагонального торцевого внутреннего ключа.
8. Вновь установите крышки на обоих клапанах.
9. Проверьте четыре соединения и крышки клапанов на утечку газа. Проведите испытание с помощью электронного детектора утечек или с помощью губки, погружаемой в мыльную воду на появление воздушных пузырьков.



1. Загрузочный модуль
2. Вакуумный насос
3. Наружный модуль
4. Раздаточный кран
5. Крышка
6. Клапан всасывающего трубопровода
7. Раздаточный кран
8. Крышка
9. Клапан жидкостного трубопровода
10. Внутренний модуль
11. Конусное соединение всасывающего трубопровода
12. Конусное соединение жидкостного трубопровода

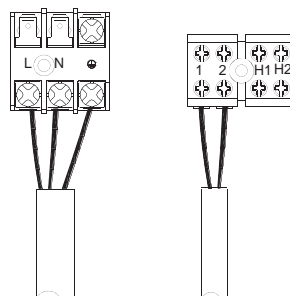
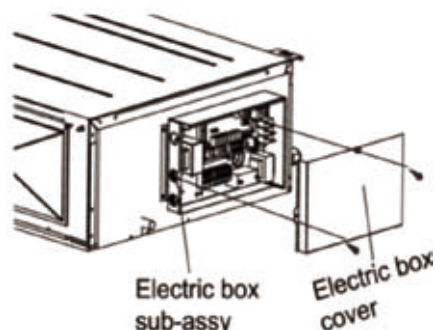
*ПРИМЕЧАНИЕ: В отношении дополнительной загрузки при различных длинах труб см таблицу для наружной установки.*

### ПОДАЧА ЭЛЕКТРОПИТАНИЯ

Монтаж электропроводки и соединений должен выполнять дипломированный электрик в соответствии с местными нормами и инструкциями по электрическим работам. Установки кондиционеров должны быть заземлены.

Установки кондиционера должны быть соединены с соответствующей сетевой розеткой от отдельной параллельной цепи, защищенной разъединителем шунтирующей цепи как указано на щитке установки. Напряжение не должно выходить за пределы  $\pm 10\%$  от заданного.

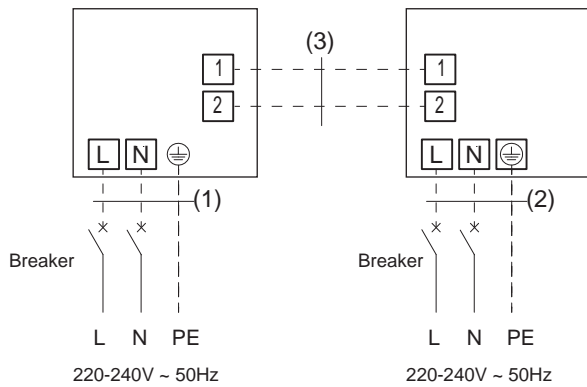
1. Подготовьте концы многопроводного кабеля к присоединению.
2. Снимите крышки внутренней/наружной установки и откройте зажимы удалите винт зажима кабеля и переверните зажим кабеля.
3. Соедините концы кабеля с зажимами внутренней и наружной установки.
4. Соедините другой конец двужильного кабеля с двужильным зажимом наружной установки.
5. Закрепите многопроводный кабель электропитания кабельными зажимами.



### 12/18/24/30 KBtu/h (3Ph)

внешний

ВНУТРЕННИЙ



Model 12K
①. Кабель (жил)(ODU) 3x2.5mm <sup>2</sup> (H07RN-F)
②. Кабель (жил) 3x1.0mm <sup>2</sup> (H05RN-F)
③. Соединительный кабель 2x0.75mm <sup>2</sup> (H05RN-F)

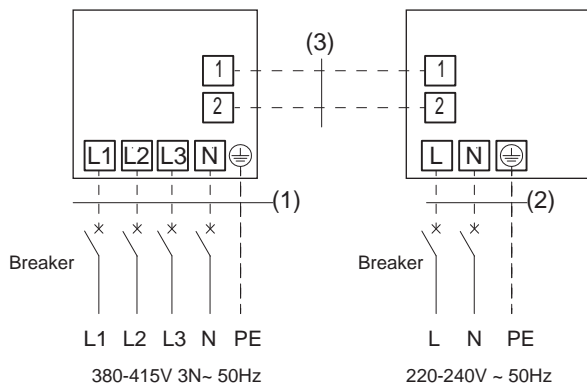
Model 18K
①. Кабель (жил)(ODU) 3x2.5mm <sup>2</sup> (H07RN-F)
②. Кабель (жил) 3x1.0mm <sup>2</sup> (H05RN-F)
③. Соединительный кабель 2x0.75mm <sup>2</sup> (H05RN-F)

Model 24/30K
①. Кабель (жил)(ODU) 3x4.0mm <sup>2</sup> (H07RN-F)
②. Кабель (жил) 3x1.0mm <sup>2</sup> (H05RN-F)
③. Соединительный кабель 2x0.75mm <sup>2</sup> (H05RN-F)

### 36/48/60 KBtu/h (3Ph)

внешний

ВНУТРЕННИЙ



Model 36K
①. Кабель (жил)(ODU) 5x1.5mm <sup>2</sup> (H07RN-F)
②. Кабель (жил) 3x1.0mm <sup>2</sup> (H05RN-F)
③. Соединительный кабель 2x0.75mm <sup>2</sup> (H05RN-F)

Model 48/60K
①. Кабель (жил)(ODU) 5x2.5mm <sup>2</sup> (H07RN-F)
②. Кабель (жил) 3x1.0mm <sup>2</sup> (H05RN-F)
③. Соединительный кабель 2x0.75mm <sup>2</sup> (H05RN-F)



## БЛОК УПРАВЛЕНИЯ ДИСПЛЕЕМ

### ПРИНЦИПЫ РАСПОЛОЖЕНИЯ

В стандартных условиях блок управления дисплеем рекомендуется устанавливать близко к потолку в центральной и нейтральной зоне. Кроме того, следует учитывать эстетический аспект. Блок управления дисплеем соединяется с главной панелью управления на кондиционере (внутренняя установка) кабелем связи. Кабель присоединяется к блоку управления дисплеем при помощи быстродействующего соединителя. (8 штепсельная гайка)

### МОНТАЖ БЛОКА УПРАВЛЕНИЯ ДИСПЛЕЕМ НА СТЕНЕ

Для прокладки соединительного кабеля просверлить в стене отверстие диаметром 12 мм. Снять крышку установки, просверлить 3 отверстия в стене, соответствующие отверстиям в блоке управления дисплеем, установить вставки и прикрепить установку к стене тремя винтами.

Блок управления дисплеем снабжен специальным кабелем связи длиной 7 метров, ограниченным штепселем, присоединяемым в самом корпусе к распределительной коробке, обеспечивающей управление кондиционером из нескольких разных помещений, в каждом из которых устанавливается свой блок управления дисплеем. Соедините быстродействующий соединитель с соответствующим гнездом главной панели управления распределительной панели внутренней установки.



#### **ВНИМАНИЕ**

В случае, если длина кабеля недостаточна, штепсель не следует отрезать от кабеля. В таком случае следует добавить 5-метровый кабель-удлинитель

### СООБРАЖЕНИЯ ПО ПОВОДУ РАСПОЛОЖЕНИЯ БЛОКА ДИСТАНЦИОННОГО УПРАВЛЕНИЯ

- a) Блок дистанционного управления следует располагать так, чтобы при установке на своей опоре на стене он был на линии визирной видимости с Блоком Управления Дисплеем (менее 8 м).
- b) Рекомендуется назначать окончательное расположение блока дистанционного управления только после первоначального включения, чтобы убедиться в правильной передаче и приеме между блоком дистанционного управления и блоком управления дисплеем.

# Перечень проверок перед включением

## ПРОВЕРКА ДРЕНАЖА

Влить воду в дренажный поддон из пенополистирола.  
Убедитесь в том, что вода вытекает из сливной трубы наружной установки.

## ОЦЕНКА ИСПОЛНЕНИЯ

Включите установку в режиме охлаждения при высокой скорости вентилятора на 15 минут или более. Измерьте температуру на входе и выходе воздуха. Убедитесь в том, что разница между температурой входа и выхода превышает 8 °С.

## ПОЗИЦИИ ПРОВЕРКИ

- |                          |   |                          |  |
|--------------------------|---|--------------------------|--|
| <input type="checkbox"/> | Есть ли утечка газа в соединениях с конусной гайкой ?           | <input type="checkbox"/> | Правильно ли укреплена внутренняя установка к потолку?                           |
| <input type="checkbox"/> | Выполнена ли теплоизоляция на соединении конусной гайки?        | <input type="checkbox"/> | Соответствует ли напряжение электропитания заданным значениям?                   |
| <input type="checkbox"/> | Прочно ли присоединён соединительный кабель к щитку с зажимами? | <input type="checkbox"/> | Существует ли необычный шум?   |
| <input type="checkbox"/> | Прочно ли зажат соединительный кабель?                          | <input type="checkbox"/> | Нормально ли работает установка при охлаждении ?                                 |
| <input type="checkbox"/> | В порядке ли дренаж? (см. раздел "Проверка дренажа")            | <input type="checkbox"/> | Нормально ли работает термостат?   |
| <input type="checkbox"/> | Правильно ли выполнено соединение проводки заземления?          | <input type="checkbox"/> | Нормально ли действует жидкокристаллический индикатор дистанционного управления? |