

FIG.1 OUTDOOR UNIT ASSEMBLY - OU10

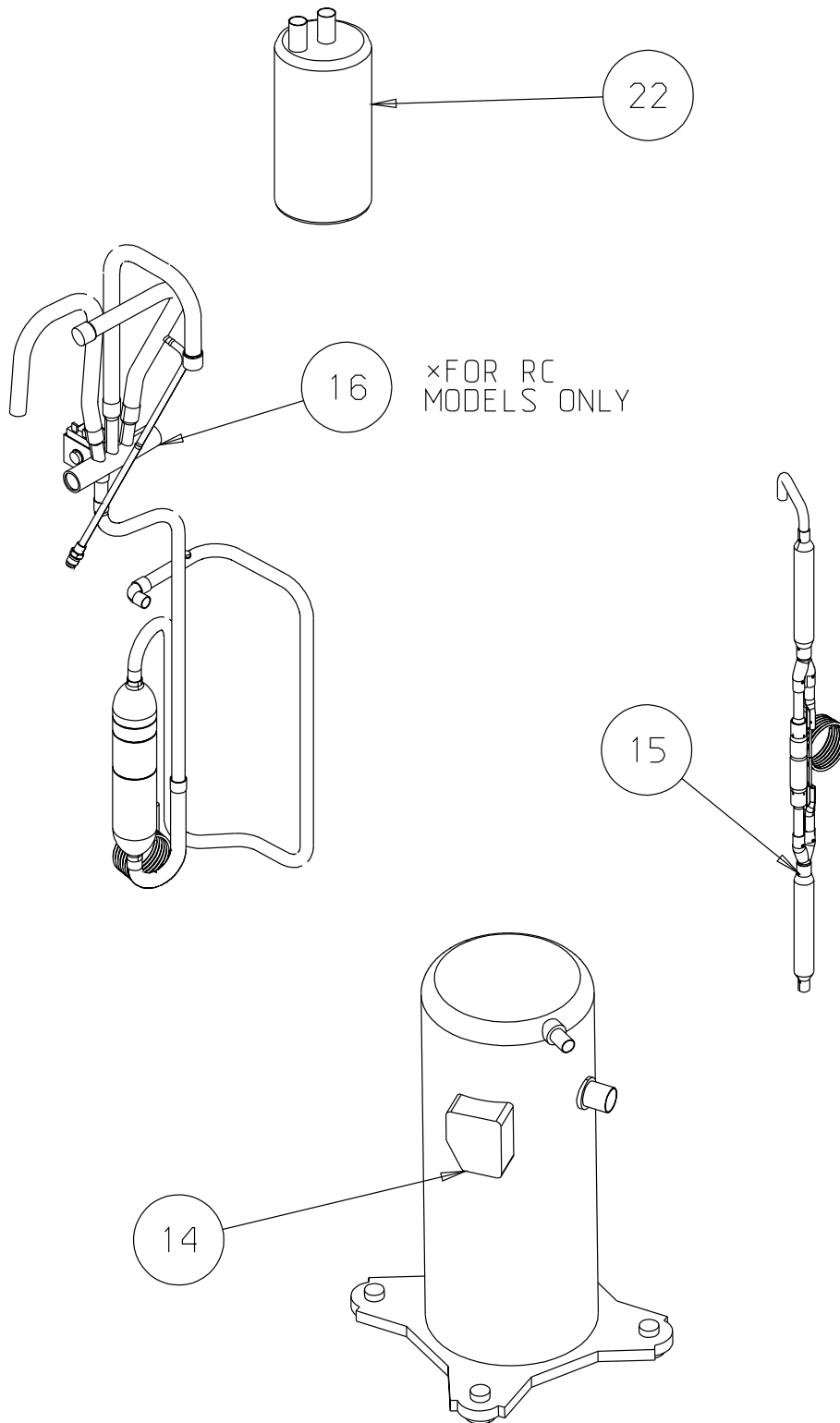


FIG.2 REFRIGERATION - OU10

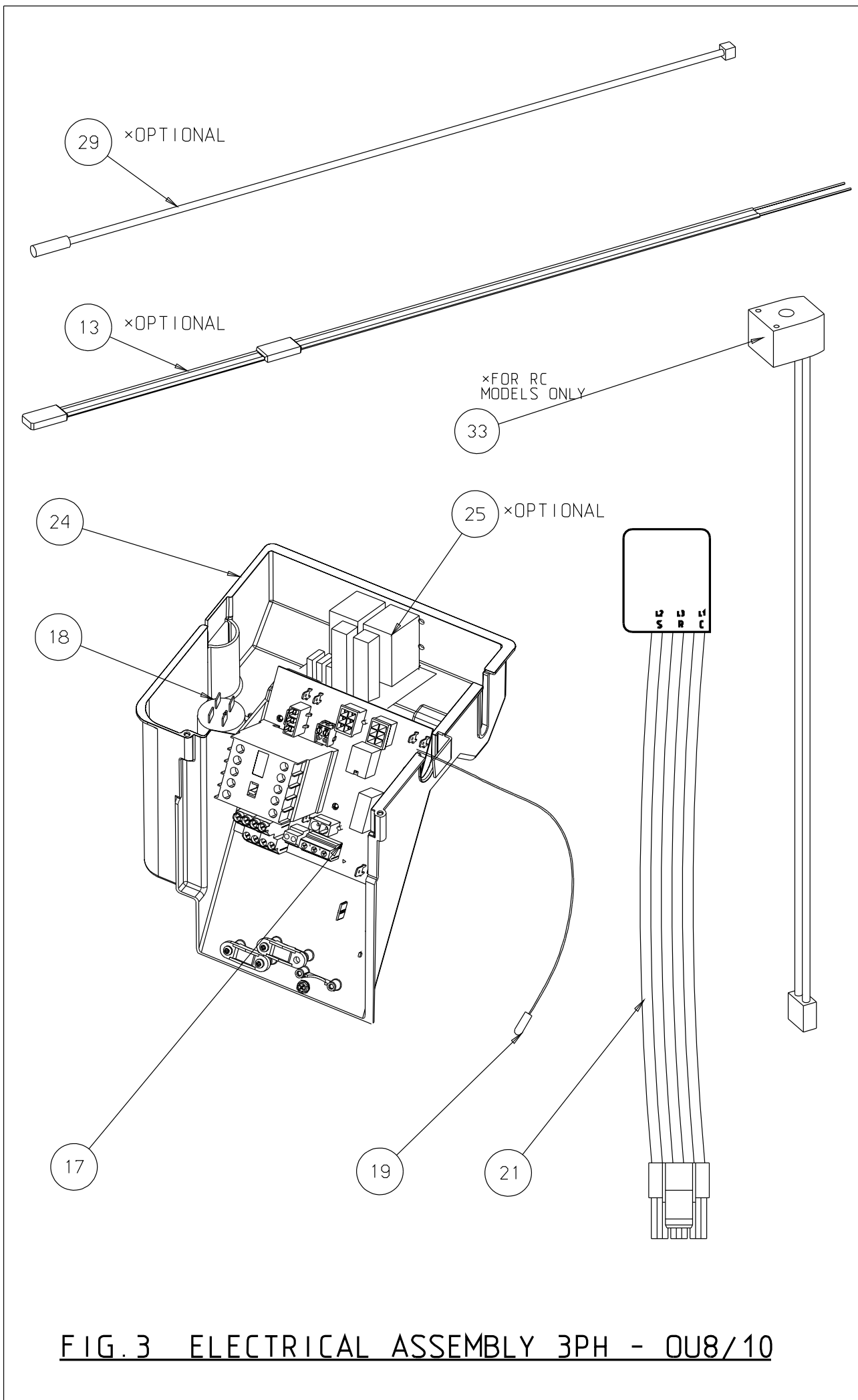


FIG.3 ELECTRICAL ASSEMBLY 3PH - OU8/10