

EMD 40/45/50

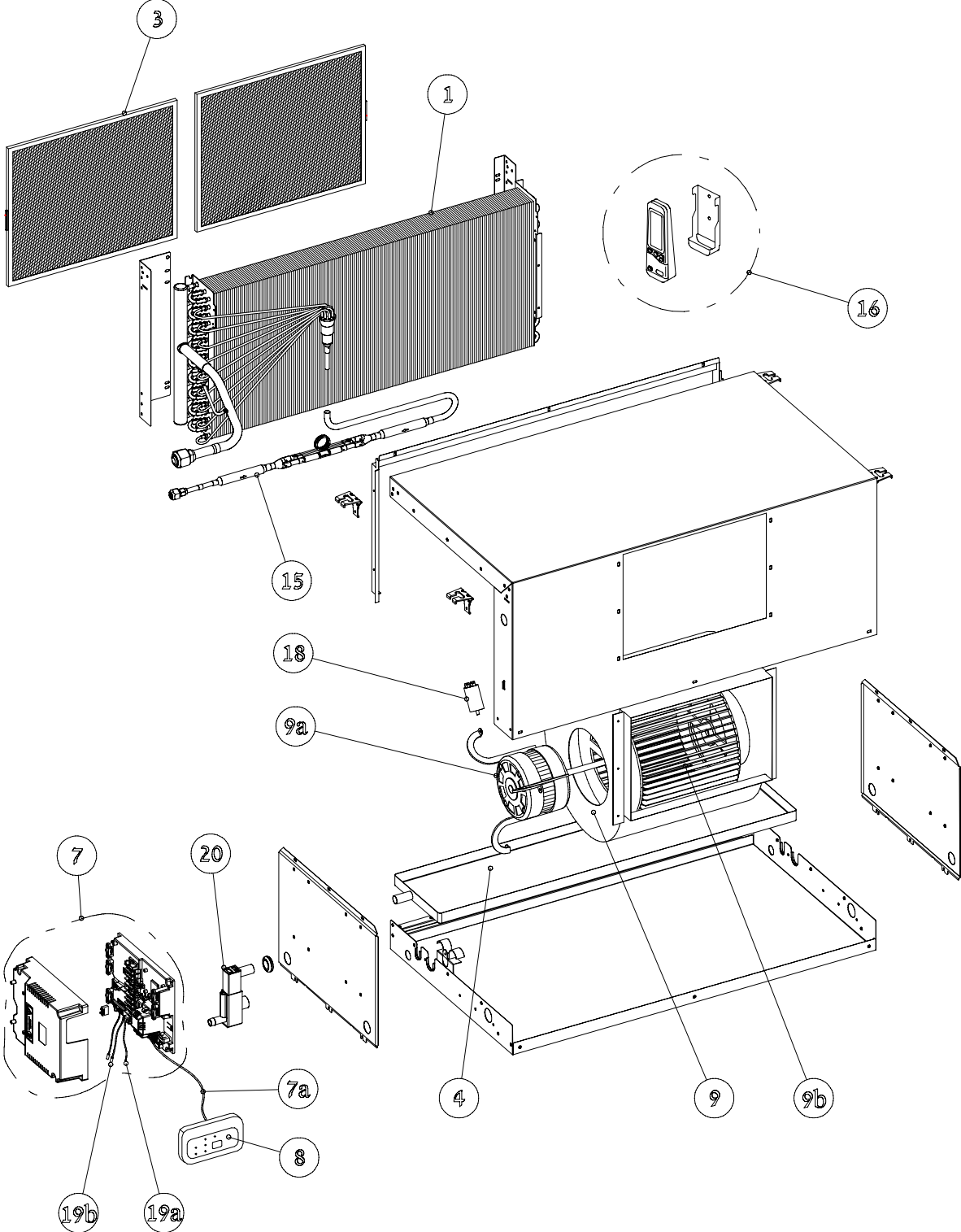


FIG.2 INDOOR UNIT ASSEMBLY – EMD 40/45/50