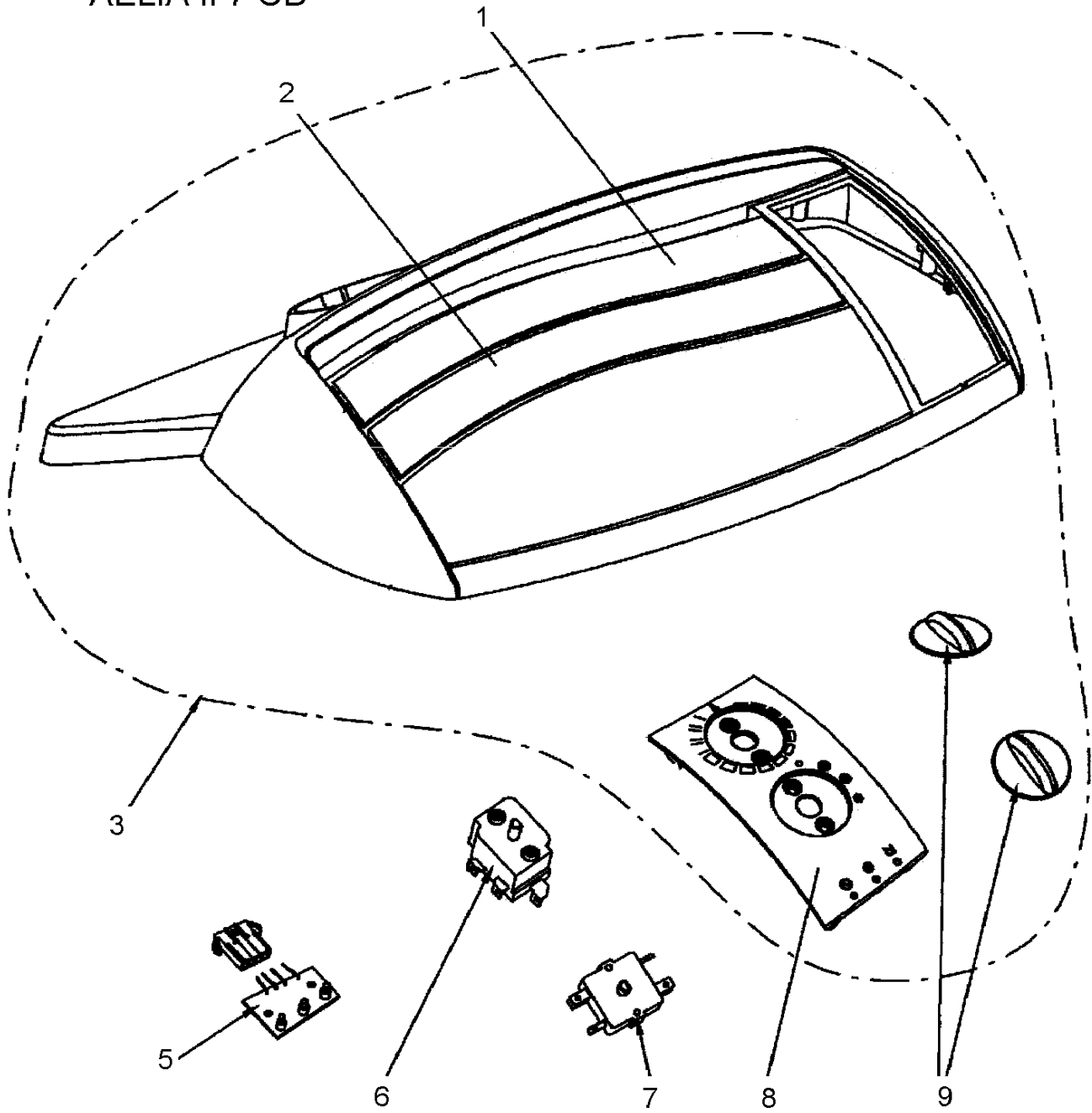


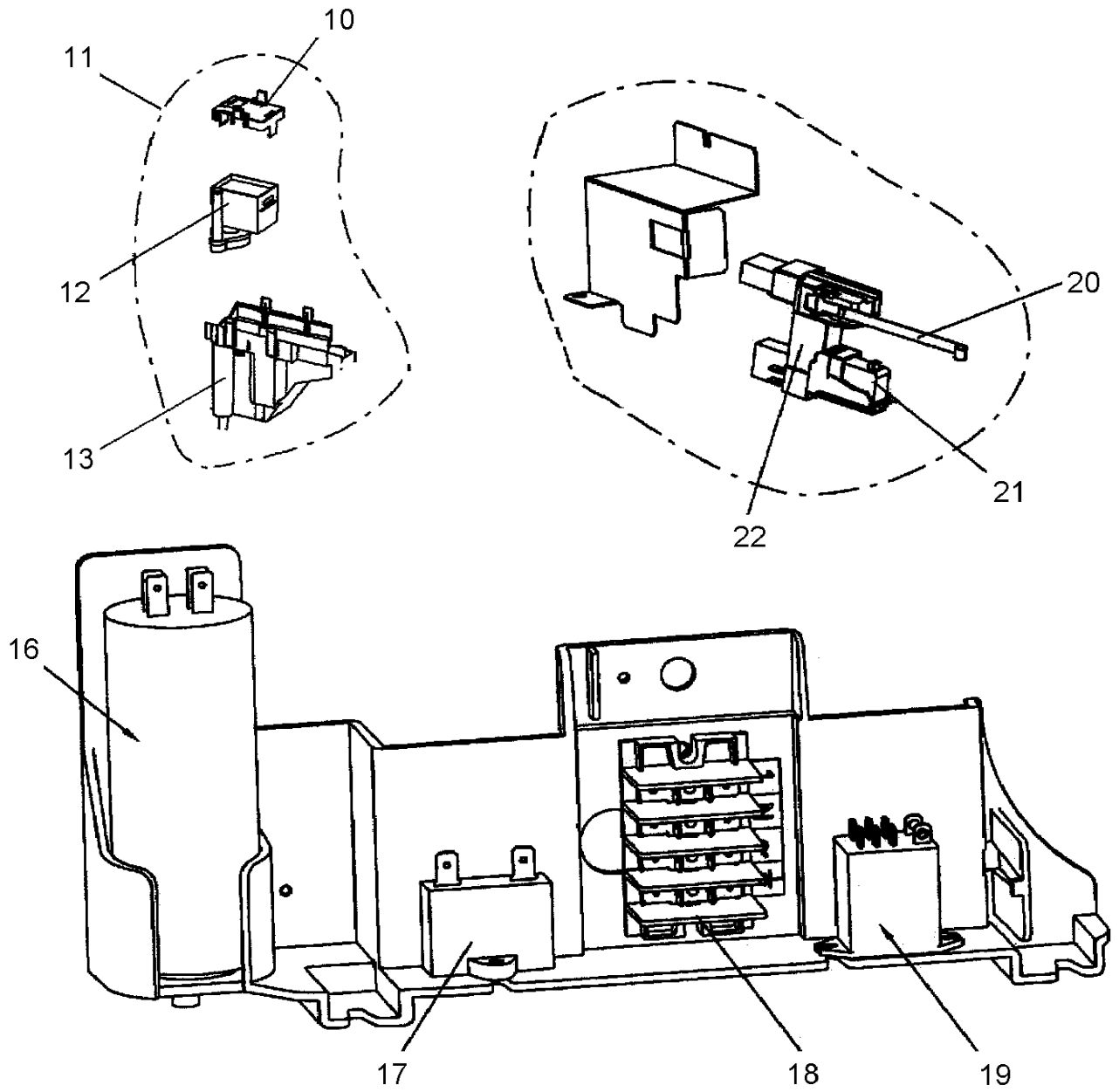
AELIA II 7 CD



28/04/2003

TH 3548

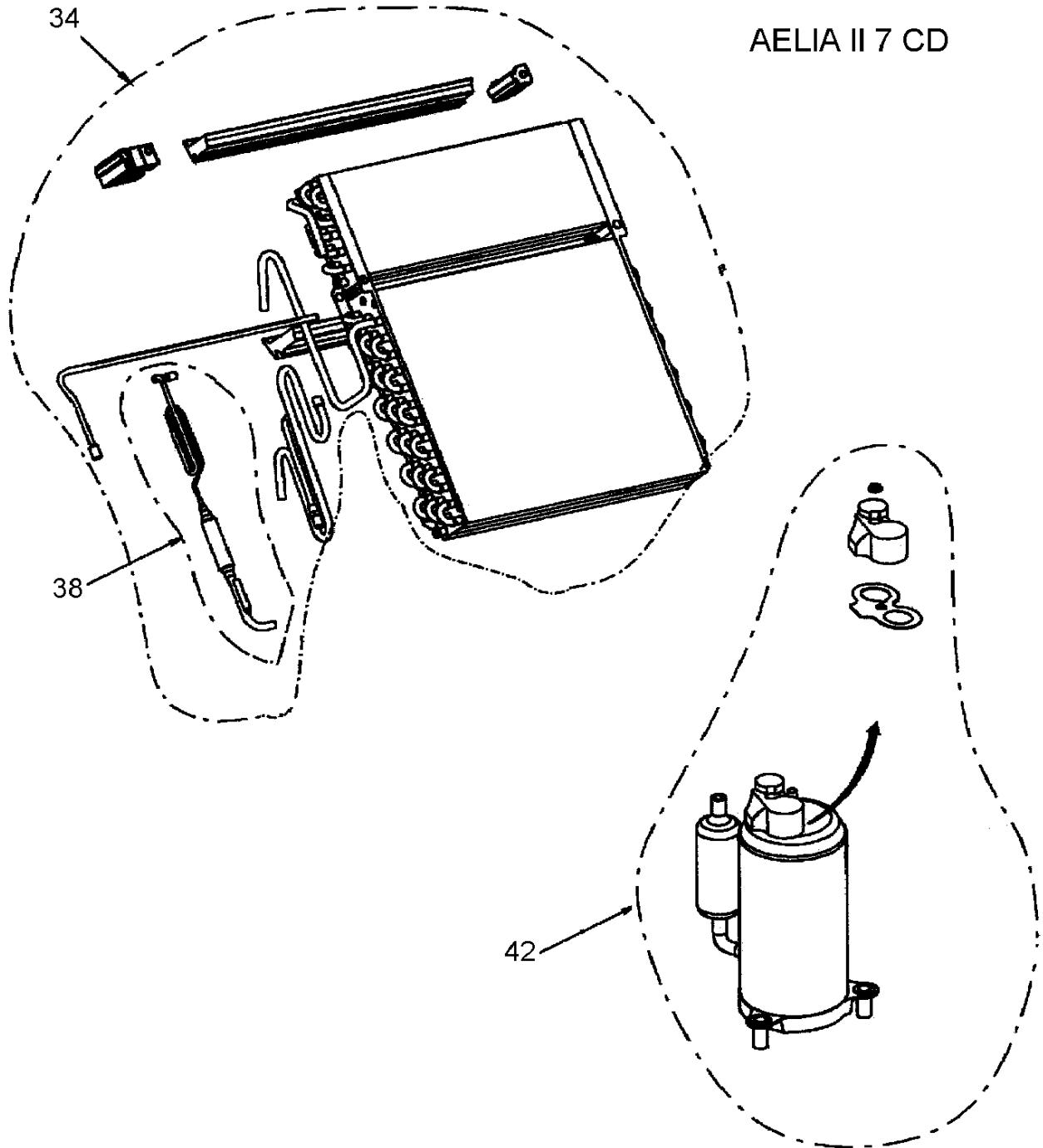
AELIA II 7 CD



28/04/2003

TH 3548

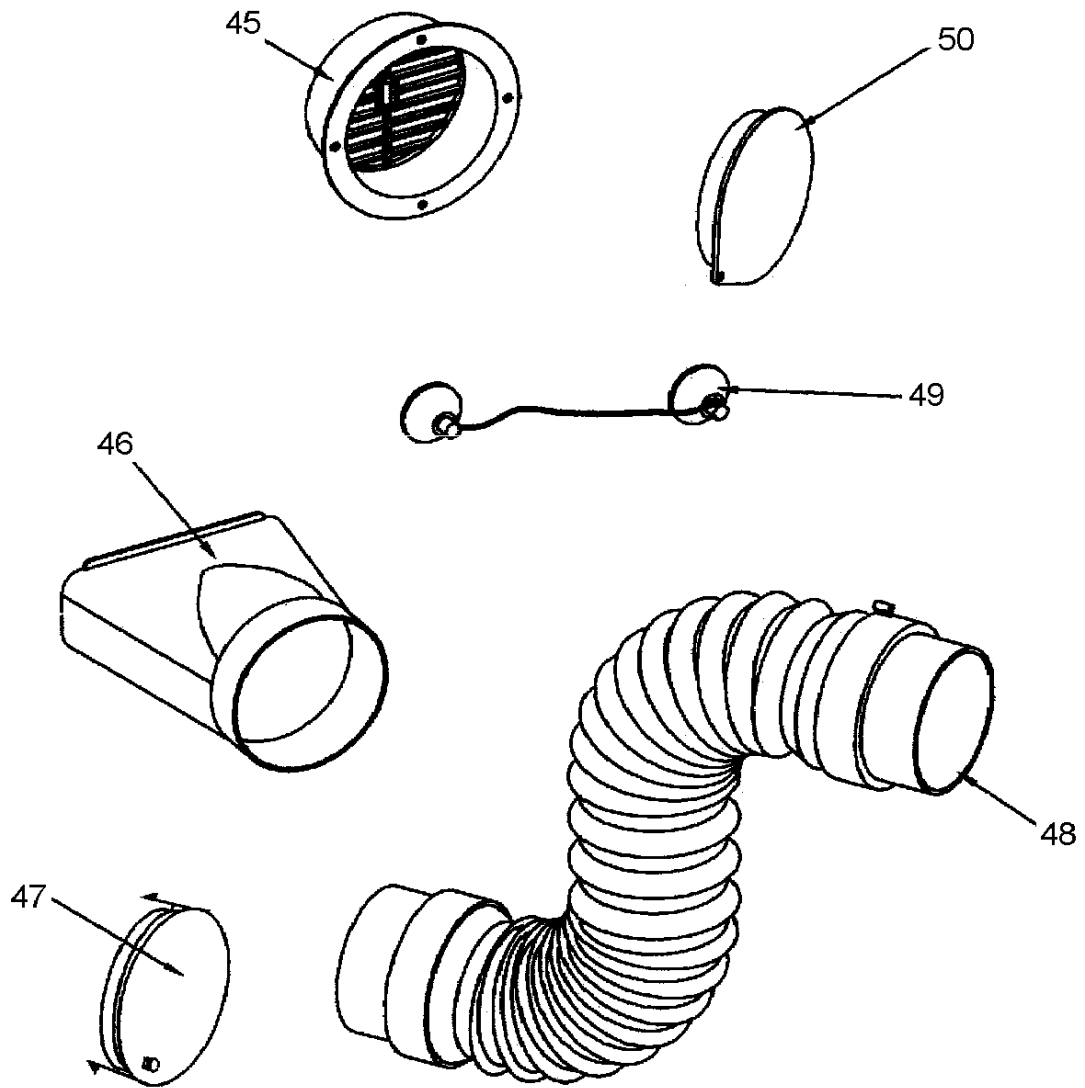
AELIA II 7 CD



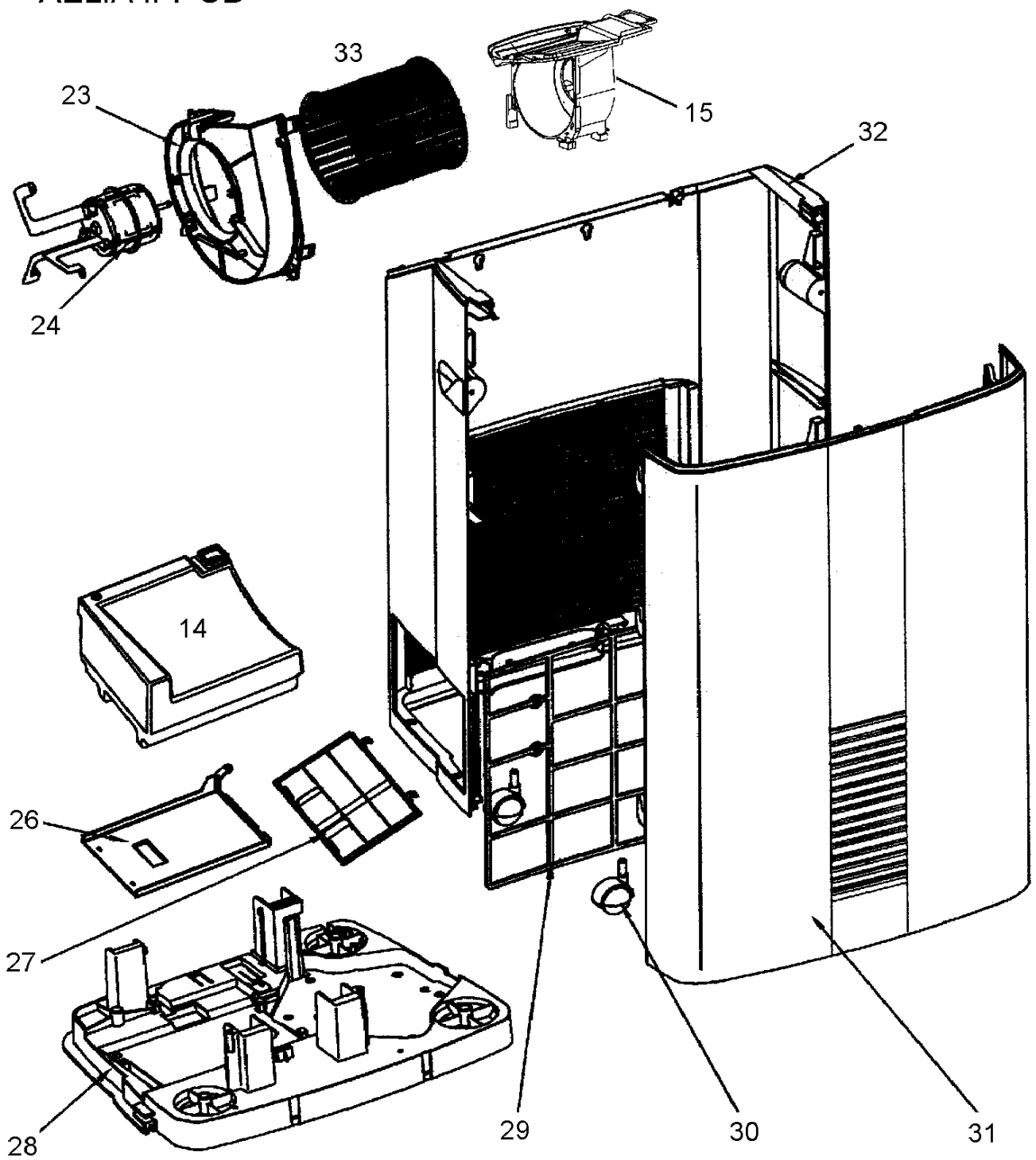
28/04/2003

TH 3548

AELIA II 7 CD



AELIA II 7 CD



28/04/2003

TH 3548

Brand :Electra Model : SMILY N 7 CD / R410

Product Number : EMB021029

Internal number : 3982

Version : Cooling only 230/1/50

Spare parts list used

Loc	Spare parts code	Replaced by	Qty	Description	Observation
48	4523088		1	Air discharge duct	
29	412206		1	Air filter	
28	412000		1	Bottom (indoor unit)	
38	453032300		1	Capillary assembly	
42	453042100		1	Compressor C-1RV096H1A	
16	455000502		1	Compressor capacitor	
.	453042100-2		1	Compressor protector	
12	412047	9412047	1	Condensate pump Askoll 0.08A/17W	
11	4522085		1	Condensate pump assembly	
13	412011		1	Condensate pump tray	
9	412177		2	Control knob	
8	412230		1	Control tray	
34	453179600		1	Evaporator/condenseur/capillary assy	
33	412029		1	Fan 171.5*164	
24	412042		1	Fan motor GLR 1390/1280/1170rpm	
2	412170		1	Front air deflector	
31	4523250		1	Front panel	
3	4523922		1	Head panel assembly Electra	
5	412165		1	Led card	
21	412044		1	Microswitch D489Y5AA	
20	412152		1	Microswitch D489YGAC	
22	412025		1	Microswitch housing	
17	455000101		1	Motor capacitor	
23	412002		1	Motor support box	
47	412261		1	Opening outlet cover	
10	412012		1	Pump support	
1	412169		1	Rear air deflector	
32	4522080		1	Rear panel	
19	192106	230181	1	Relay Matsuba 250V 10A	
30	900109		4	Roller (set of 4)	
15	412001		1	Scroll	
7	412224		1	Selector 4 positions	
50	409920		1	Sleeve cover wall/window	
49	410902		1	Suction pads with hooks and tie	

Brand :Electra Model : SMILY N 7 CD / R410

Product Number : EMB021029

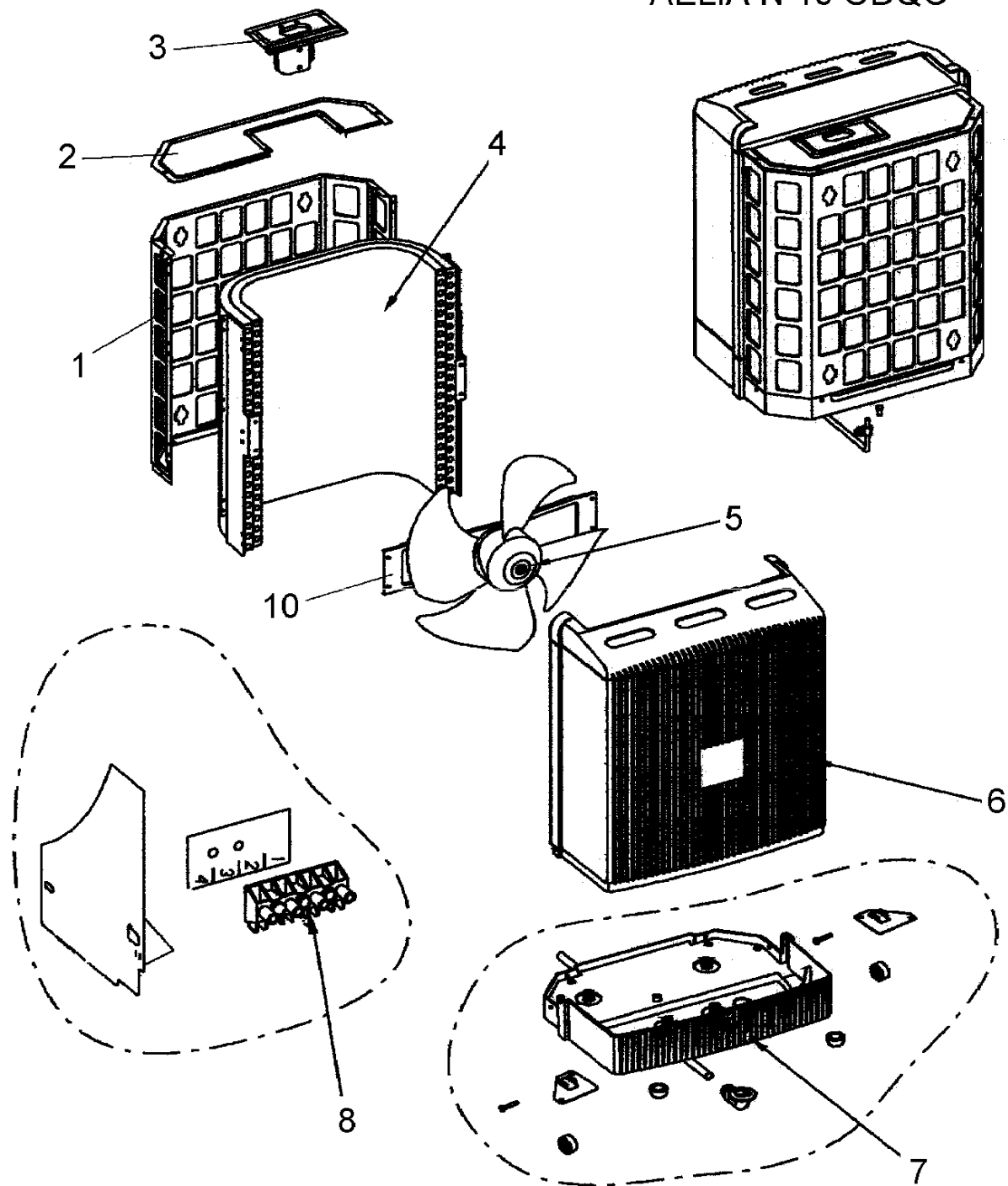
Internal number : 3982

Version : Cooling only 230/1/50

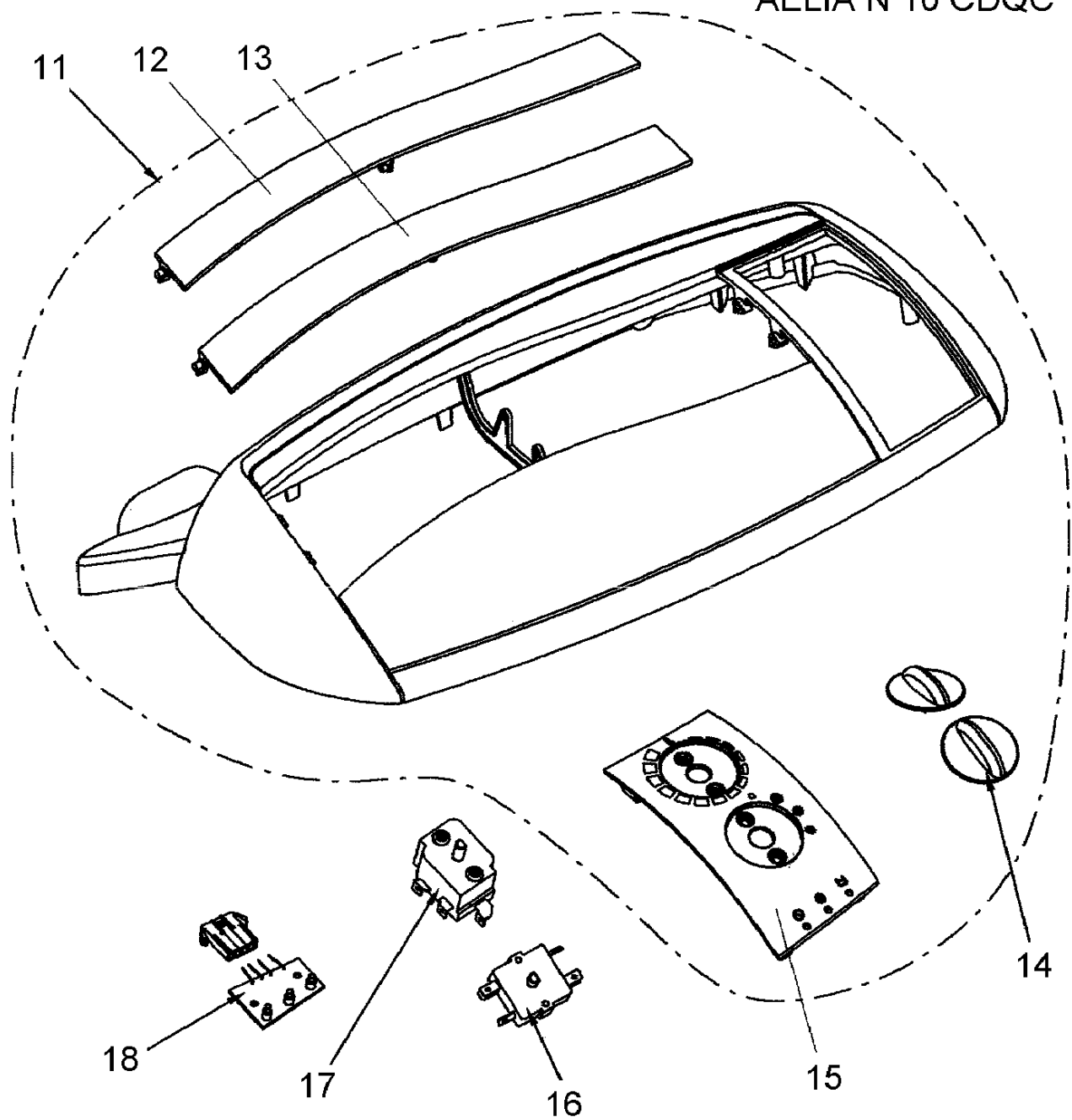
Spare parts list used

Loc	Spare parts code	Replaced by	Qty	Description	Observation
18	4523051		1	Terminal block	
6	412269		1	Thermostat	
45	409918		1	Wall/window sleeve	
14	412010		1	Water tank 3 litres	
27	412221		1	Water tank door	
26	412005		1	Water tank tray	
46	409921		1	Window adapter	

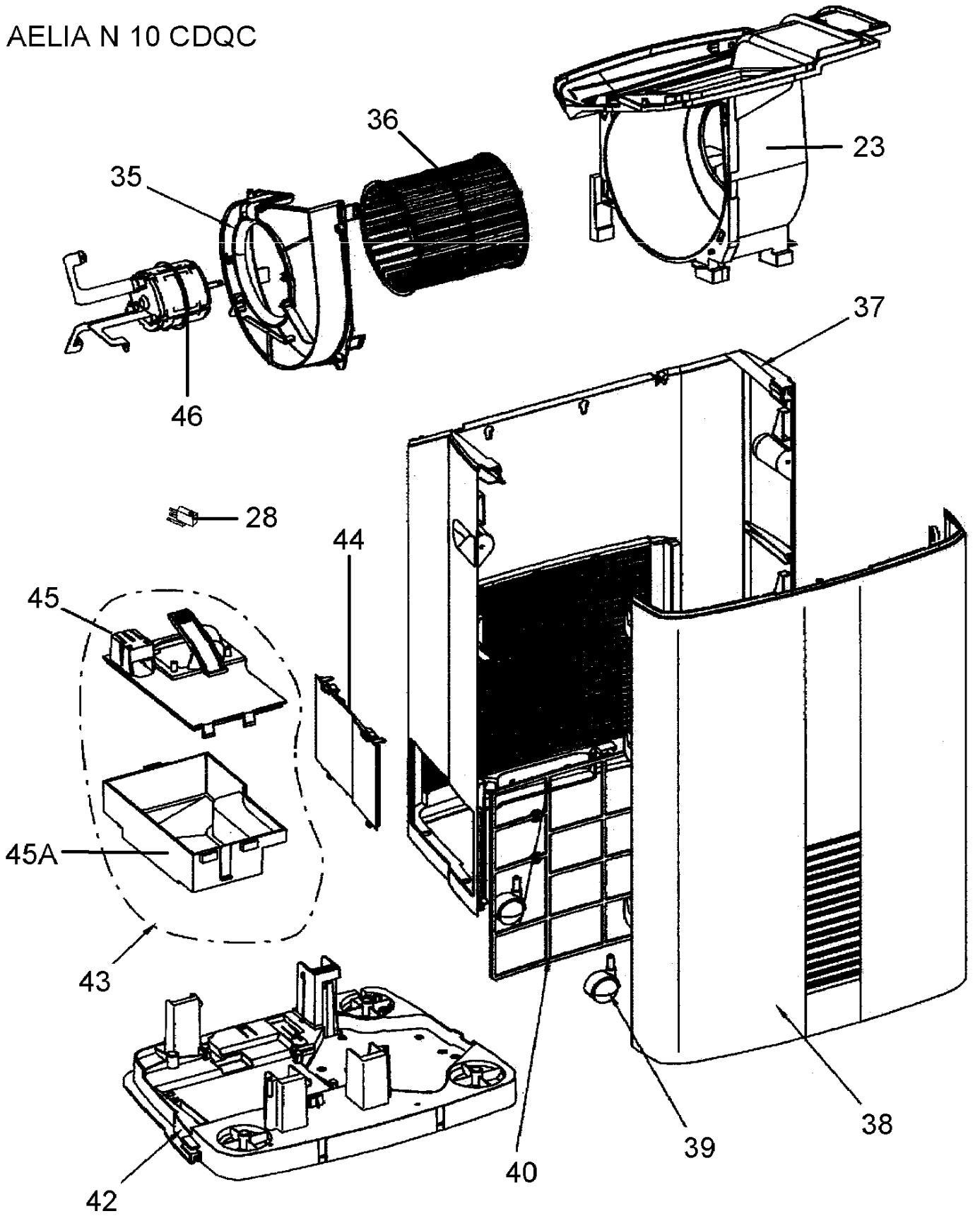
AELIA N 10 CDQC



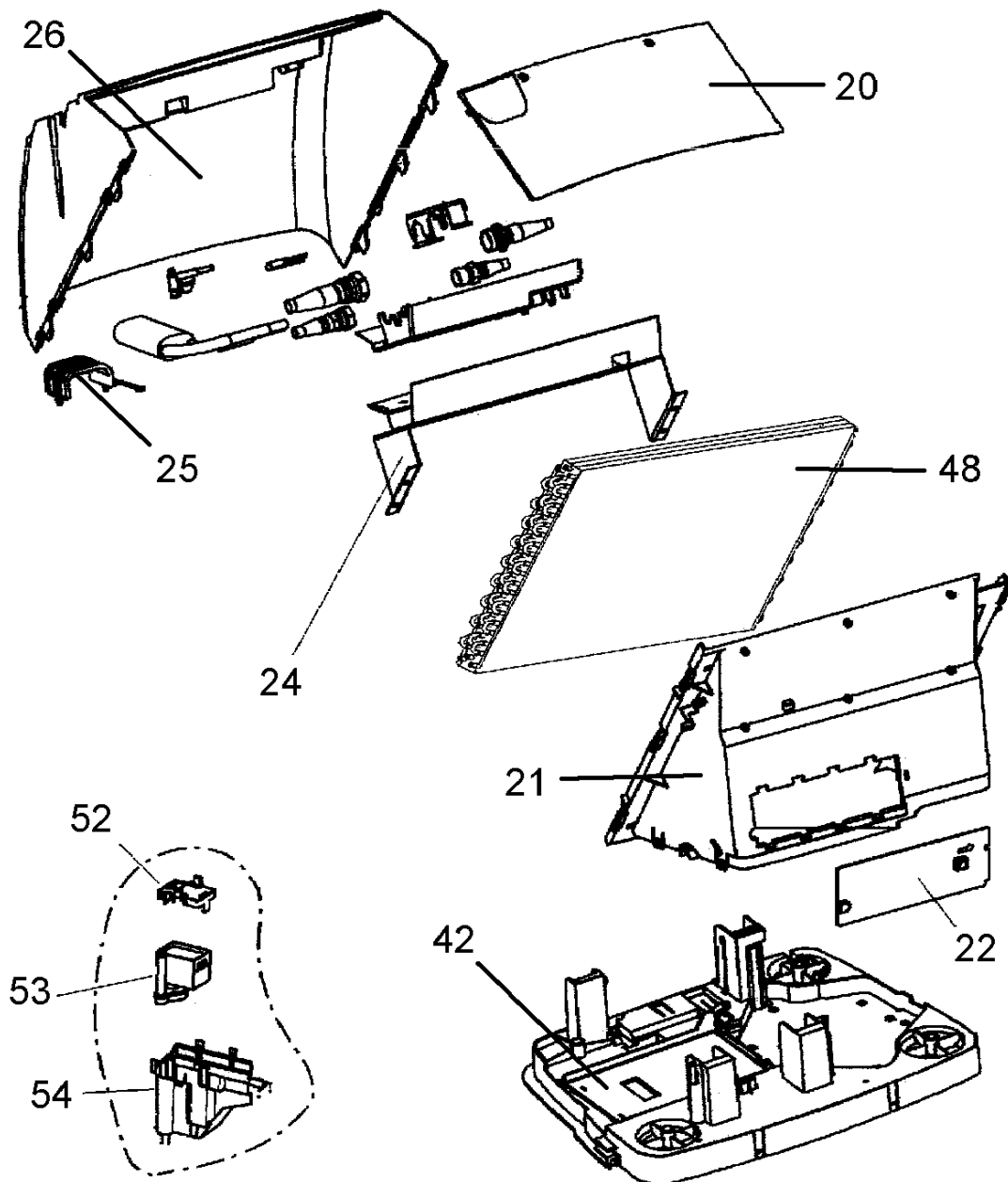
AELIA N 10 CDQC



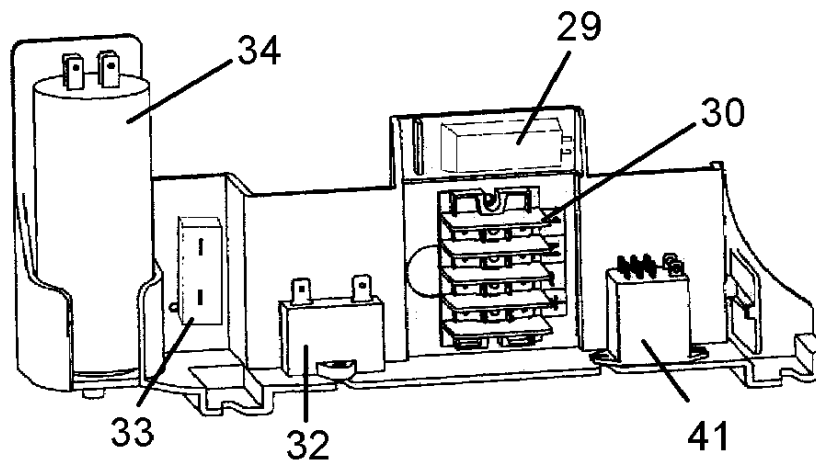
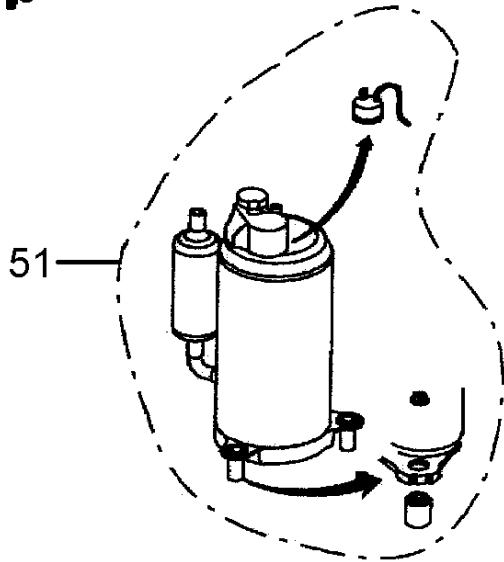
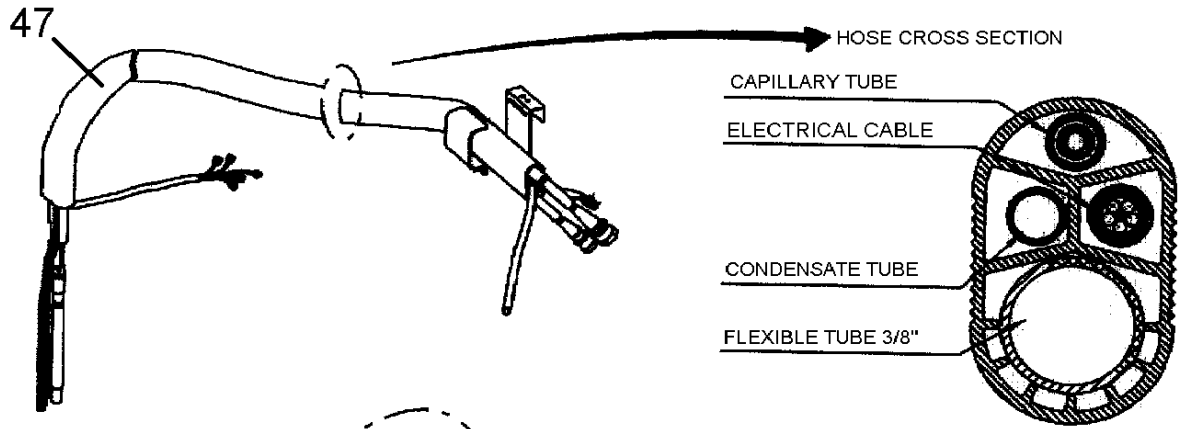
AELIA N 10 CDQC



AELIA N 10 CDQC



AELIA N 10 CDQC



Brand :Electra Model : SMILY N 11 CDQC / R410

Product Number : EMB021034

Internal number : 3983

Version : Cooling only 230/1/50

Spare parts list used

Loc	Spare parts code	Replaced by	Qty	Description	Observation
40	412206		1	Air filter	
37	412205		1	Back panel (indoor unit)	
42	453128100		1	Bottom	
7	410942		1	Bottom (condensate tray)	
21	412003		1	Coil housing	
51	452932500		1	Compressor ASG108CV-B7AT	
34	455000510		1	Compressor capacitor	
.	452933400		1	Compressor protector	
53	412047	9412047	1	Condensate pump Askoll 0.08A/17W	
54	412011		1	Condensate pump tray	
45A	C412082		1	Condensate tank only	
4	452973800		1	Condenser	
2	410915		1	Condenser cover	
5	410040		1	Condenser fan 1050/1100rpm	
24	412350		1	Connectors bridge	
14	412177		1	Control knob	
15	412230		1	Control tray	
6	410542		1	Cover O.U.	
29	411232	232168	1	Deicing thermostat Ranco K55-L5715	
48	453107800		1	Evaporator	
22	412006		1	Evaporator box panel	
26	412081		1	Evaporator cover	
36	412029		1	Fan 171.5*164	
46	412028		1	Fan motor 25W - 1280/1170/920rpm	
25	412185		1	Flex. hose bracket (I.U.)	
3	410914		1	Flex. hose support cover (O.U.)	
13	412170		1	Front air deflector	
38	412513		1	Front panel	
11	453223400		1	Head panel assembly	
18	412165		1	Led card	
28	412044		1	Microswitch D489Y5AA	
32	455000101		1	Motor capacitor	
33	455000108		1	Motor fan capacitor	
10	4527306		1	Motor support (O.U.)	

Brand :Electra Model : SMILY N 11 CDQC / R410

Product Number : EMB021034

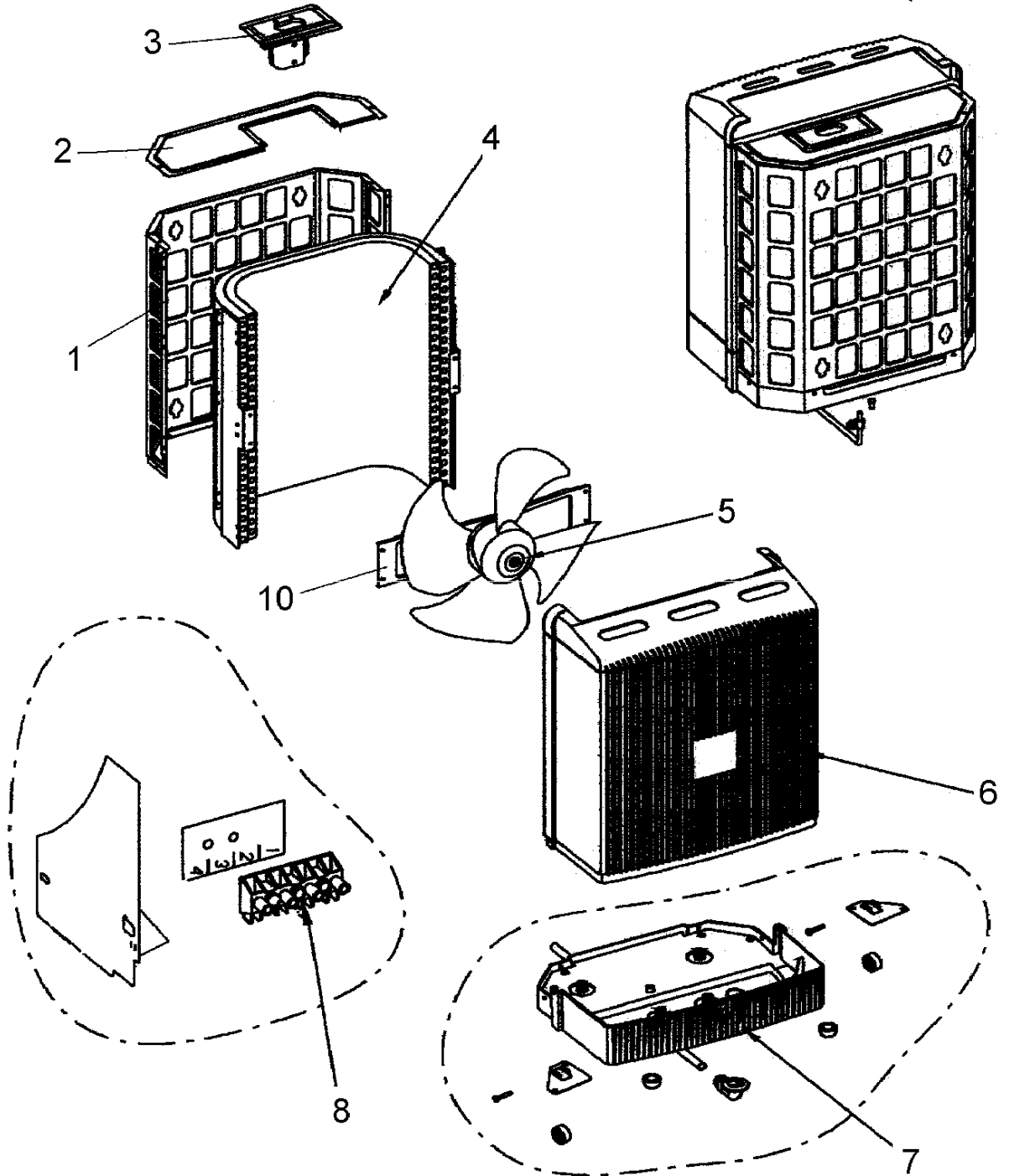
Internal number : 3983

Version : Cooling only 230/1/50

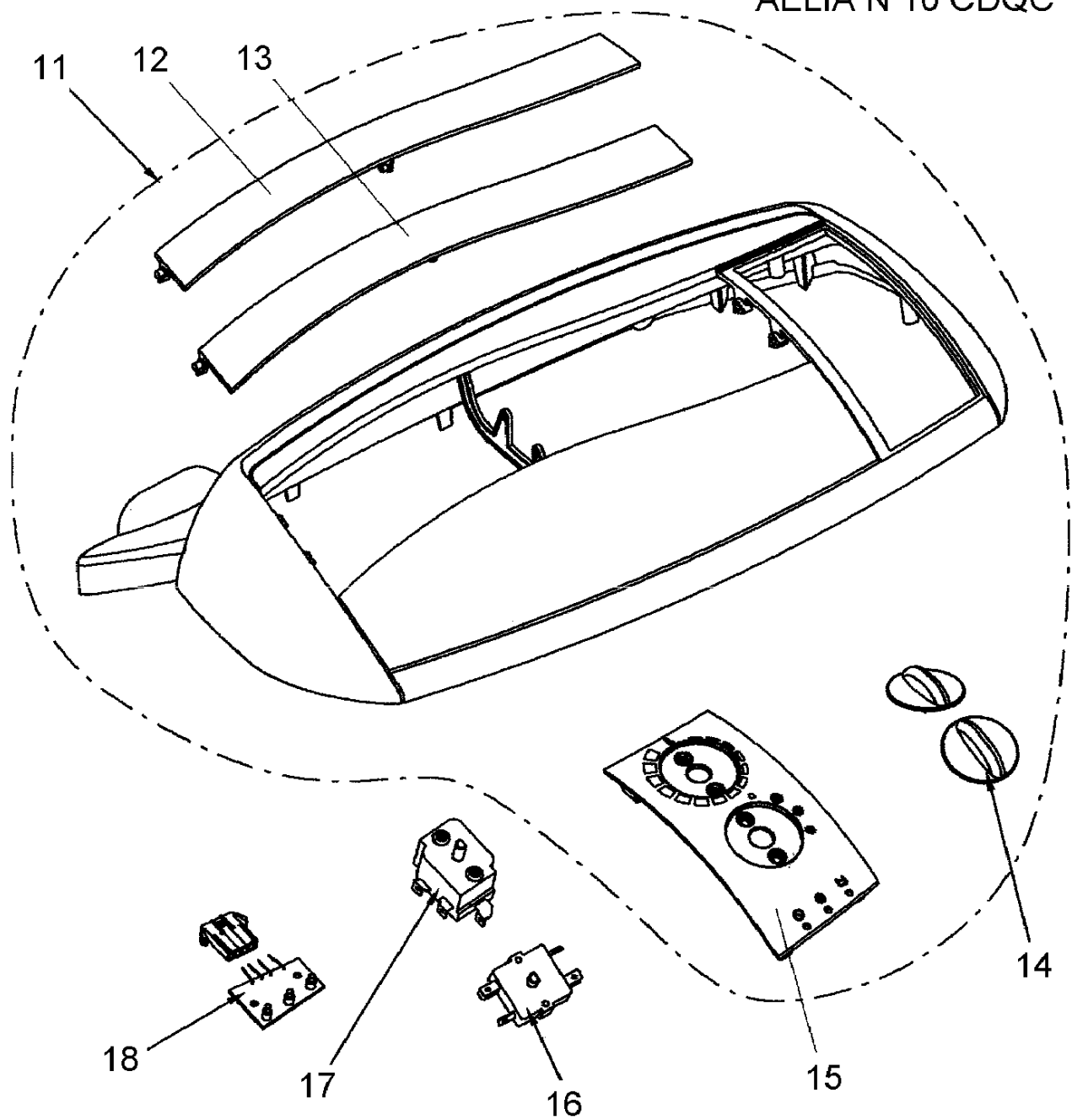
Spare parts list used

Loc	Spare parts code	Replaced by	Qty	Description	Observation
35	412002		1	Motor support box	
52	412012		1	Pump support	
12	412169		1	Rear air deflector	
1	410999		1	Rear panel O.U.	
41	230356		1	Relay Finder NO 65-31-8-230-0300	
47	453094100		1	Removal lines	
39	900109		4	Roller (set of 4)	
23	412001		1	Scroll	
16	412224		1	Selector 4 positions	
20	412210		1	Service cover	
30	4523051		1	Terminal block	
8	410041		1	Terminal block 16A	
17	412269		1	Thermostat	
43	SP000000023		1	Water pool assembly	
45	C412083		1	Water pool cover only	
44	412221		1	Water tank door	

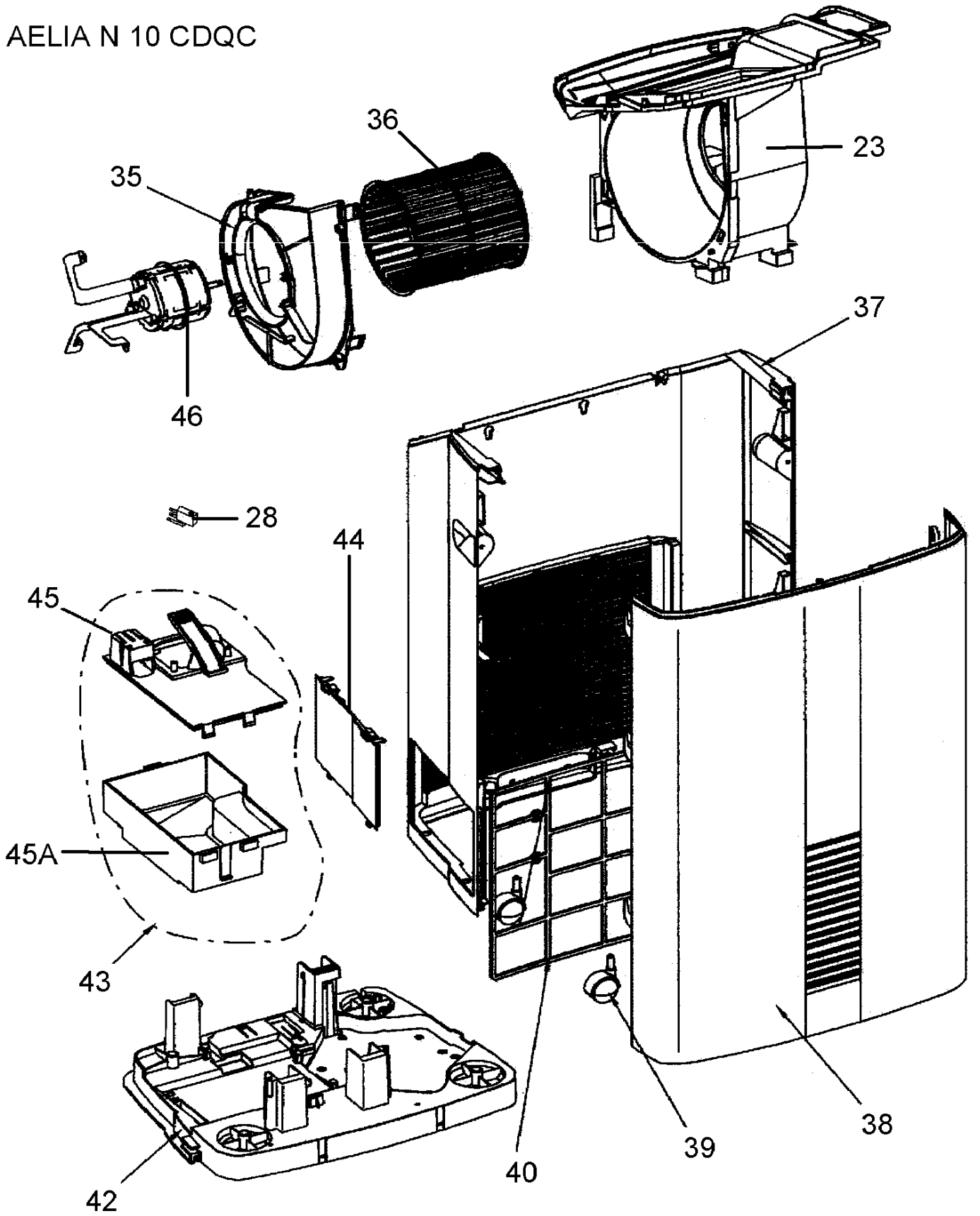
AELIA N 10 CDQC



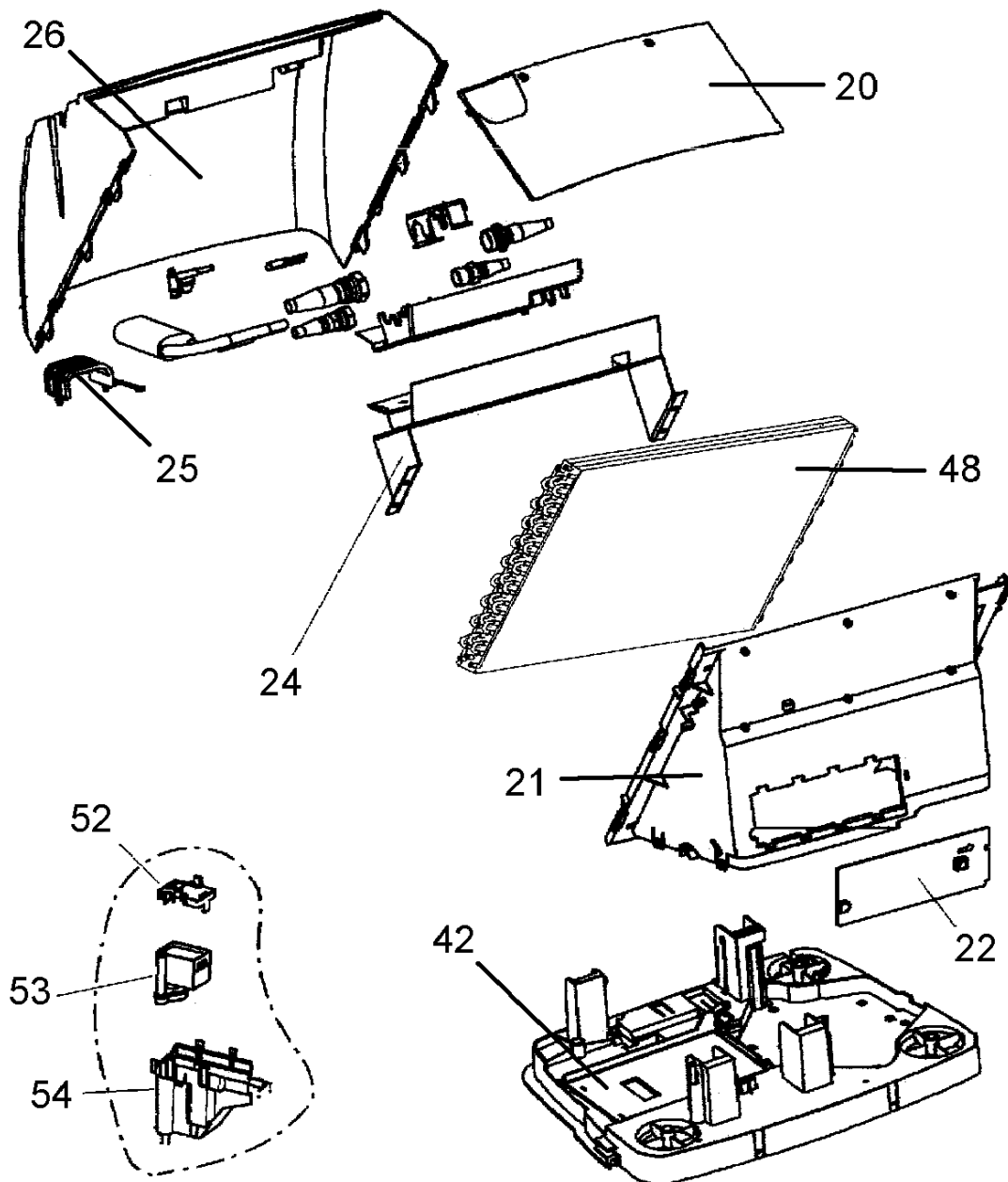
AELIA N 10 CDQC



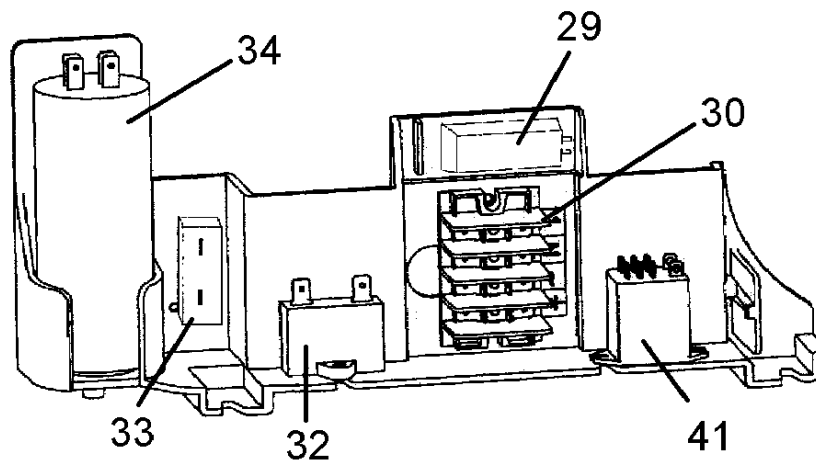
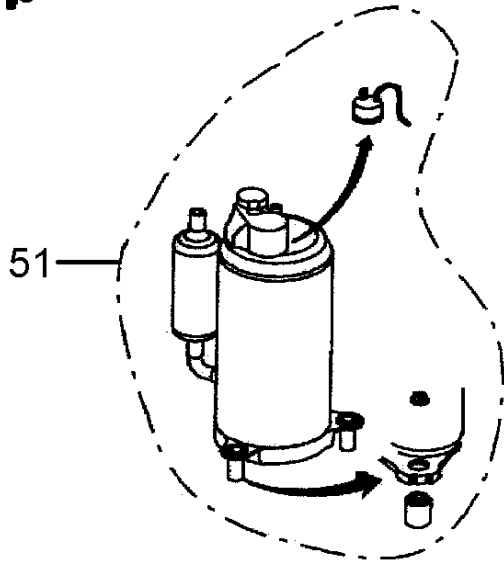
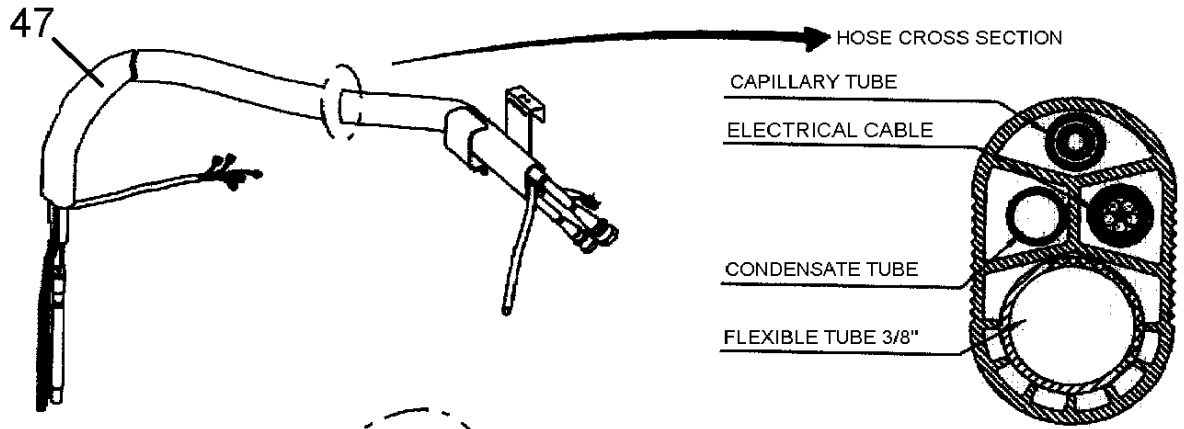
AELIA N 10 CDQC



AELIA N 10 CDQC



AELIA N 10 CDQC



Brand :Electra Model : SMILY N 14 CDQC / R410

Product Number : EMB021044

Internal number : 4169

Version : Cooling only 230/1/50

Spare parts list used

Loc	Spare parts code	Replaced by	Qty	Description	Observation
40	412206		1	Air filter	
37	412205		1	Back panel (indoor unit)	
42	453128100		1	Bottom	
7	410942		1	Bottom (condensate tray)	
21	412003		1	Coil housing	
51	452944100		1	Compressor C-RV168H1A	
34	455000510		1	Compressor capacitor	
.	453000600		1	Compressor protector	
53	412047	9412047	1	Condensate pump Askoll 0.08A/17W	
54	412011		1	Condensate pump tray	
45A	C412082		1	Condensate tank only	
4	453107900		1	Condenser	
2	410915		1	Condenser cover	
5	410040		1	Condenser fan 1050/1100rpm	
24	412350		1	Connectors bridge	
14	412177		1	Control knob	
15	412230		1	Control tray	
6	410542		1	Cover O.U.	
29	411232	232168	1	Deicing thermostat Ranco K55-L5715	
48	452973900		1	Evaporator	
22	412006		1	Evaporator box panel	
26	412081		1	Evaporator cover	
36	412029		1	Fan 171.5*164	
46	412042		1	Fan motor GLR 1390/1280/1170rpm	
25	412185		1	Flex. hose bracket (I.U.)	
3	410914		1	Flex. hose support cover (O.U.)	
13	412170		1	Front air deflector	
38	412513		1	Front panel	
11	4523107		1	Head panel assembly	
18	412165		1	Led card	
28	412044		1	Microswitch D489Y5AA	
32	455000101		1	Motor capacitor	
33	455000108		1	Motor fan capacitor	
10	4527306		1	Motor support (O.U.)	

Brand :Electra Model : SMILY N 14 CDQC / R410

Product Number : EMB021044

Internal number : 4169

Version : Cooling only 230/1/50

Spare parts list used

Loc	Spare parts code	Replaced by	Qty	Description	Observation
35	412002		1	Motor support box	
52	412012		1	Pump support	
12	412169		1	Rear air deflector	
1	410999		1	Rear panel O.U.	
41	230356		1	Relay Finder NO 65-31-8-230-0300	
47	453094200		1	Removal lines	
39	900109		4	Roller (set of 4)	
23	412001		1	Scroll	
16	412224		1	Selector 4 positions	
20	412210		1	Service cover	
30	4523051		1	Terminal block	
8	410041		1	Terminal block 16A	
17	412269		1	Thermostat	
43	SP000000023		1	Water pool assembly	
45	C412083		1	Water pool cover only	
44	412221		1	Water tank door	