

**FRANÇAIS** CLIMATISEUR PORTABLE

**ENGLISH** PORTABLE AIR CONDITIONER

**DEUTSCH** MOBILE KLIMAGERÄTE

**ITALIANO** CLIMATIZZATIRE PORTATILE

**ESPAÑOL** ACONDICIONADOR DE AIRE PORTATIL

**NEDERLANDS** VERRIJD BARE AIRCONDITIONER

**MONTAGE- UND GEBRAUCHSANWEISUNG**

**INSTALLATION AND OPERATING INSTRUCTIONS**

**ISTRUZIONI PER L'INSTALLAZIONE E IL FUNZIONAMENTO**

**INSTRUCTIONS DE MONTAGE ET D'EMPLOI**

**INSTRUCCIONES DE INSTALACIÓN Y FUNCIONAMIENTO**

**INSTALLATIE & BEDIENINGSVOORSCHRIFTEN**

# **PORTABLE AIR CONDITIONER**

**ELECTRONIC / REMOTE CONTROL**

**ELECTRO MECHANICAL CONTROL**

**INSTALLATION AND OPERATING INSTRUCTIONS**

**CONTENTS**

**INTRODUCTION** ..... 2

IMPORTANT NOTES ..... 2

**DESCRIPTION**..... 3

**ACCESSORIES**..... 3

**INSTALLATION**..... 4

INSTALLATION FOR COOLING ..... 4

FIXED INSTALLATION OPTION ..... 4

PROVISIONAL INSTALLATION ..... 5

ELECTRICAL CONNECTION ..... 6

**OPERATION-(With remote control)** ..... 7

MODES OF OPERATION,FUNCTIONS AMD FEATURES..... 7

USE OF WIRELESS REMOTE CONTROL ..... 9

ON-UNIT INDICATORS AND CONTROLS .....10

ON-UNIT OPERATION .....10

REMOTE CONTROL ..... 11

OPERATION PROCEDURE .....12

**OPERATION-(Electro-Mechanical Model)**.....17

OPERATING PROCEDURE ..... 18

**CARE AND MAINTENANCE** .....19

**IMPORTANT NOTICES** .....21

**BEFORE CALLING FOR SERVICE**.....22

## □ INTRODUCTION

This portable air conditioner is designed for versatile applications:

- Cooling
- Dehumidification
- Heating (for electronic models only)
- Ventilation
- Air filtration

### ELECTRONIC MODELS ONLY

This air conditioner is equipped with an electronic microprocessor control system, giving the user the choice of local or remote control operation, as well as precise temperature setting and control, timer operation and a built-in protection system for trouble-free and energy-efficient operation.

OPERATING TEMPERATURE RANGE: 21°C-32°C / 70°-90°F

Capacity based on test conditions of:

Indoor: 27°C/80°F DB - 19°C/67°F WB.

Actual cooling capacity might vary according to the local environmental conditions.

- **PLEASE READ THESE INSTRUCTIONS BEFORE OPERATING THE AIR CONDITIONER.**
- **IF YOUR AIR CONDITIONER IS FOR COOLING ONLY, PLEASE DISREGARD THE INSTRUCTIONS RELATED TO HEATING.**

## IMPORTANT NOTES:

### WARNING

- This air conditioner must be grounded for protection against electrical shock.
- Electrical connection and power cord replacement should be done only by authorized electricians and in accordance with electrical regulations and local codes.
- Do not expose the unit to rain.

When using this air conditioner for the first time, please do the following:

1. Read the instruction manual and familiarize yourself with the controls.
2. Plug the electric power cord into a power socket which is protected by a proper fuse.
3. Check that all control functions operate properly, including both the remote control unit and on-unit control.
4. Repeat step 3 when the remote control unit is inside its compartment.
5. Disconnect the electric power cord from the power socket, wait 3 minutes and reconnect the unit.

### IN THIS MANUAL

<b>ALL MODELS</b> .....	<b>pages: 2-6, 19-23</b>
<b>ELECTRONIC MODELS</b> .....	<b>pages: 7-16</b>
<b>MECHANICAL MODELS</b> .....	<b>pages: 17-18</b>

## DESCRIPTION

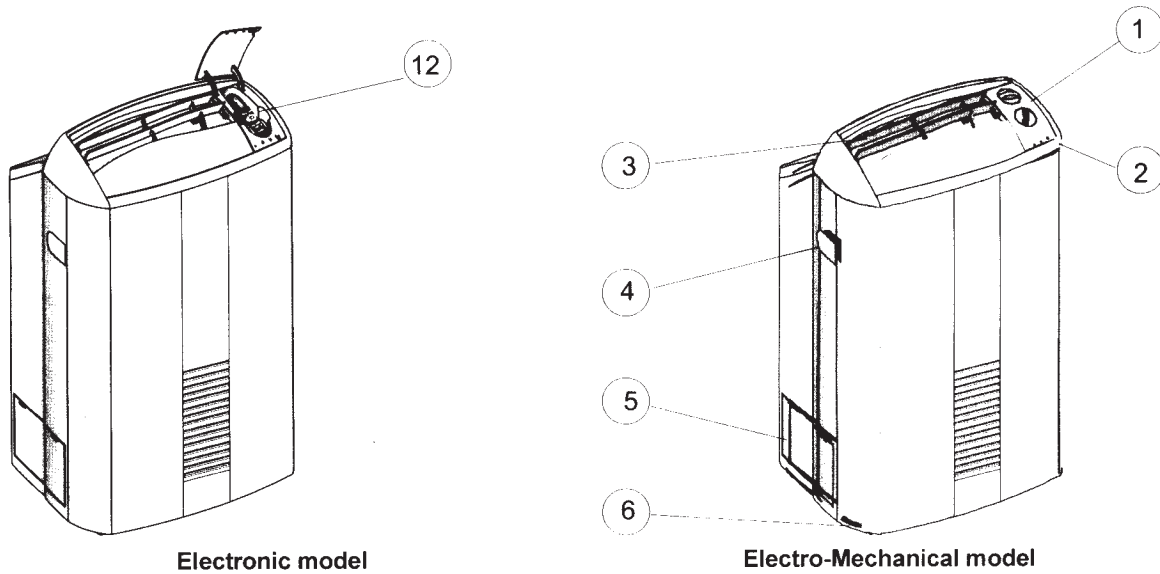


Figure 1: Units components (front)

1. Control buttons (for electromechanical model)
2. Indicators (leds)
3. Adjusting air supply grille
4. Carrying handle
5. Water tank door
6. Castors
7. Air filter
8. Air filter handle
9. Electric Power cord
10. Drain tube with plug
11. Air outlet
12. Remote control (for electronic model only)

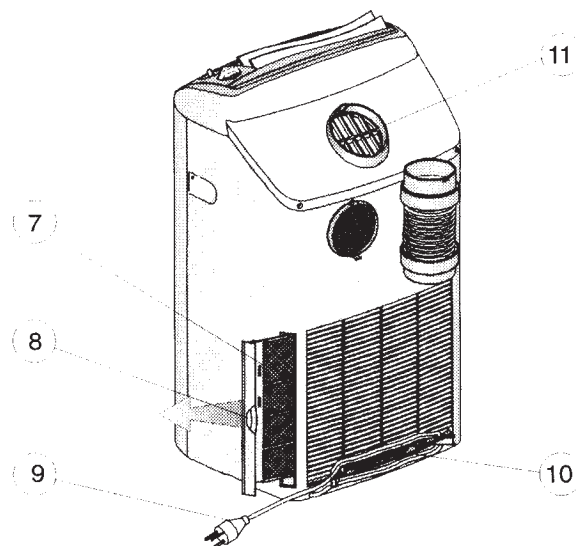


Figure 2: Unit components (back)

## ACCESSORIES

1. Wall or window hose sleeve
2. Sleeve cover
3. Suction pads
4. Window nozzle
5. Exhaust Hose
6. Air exhaust cover

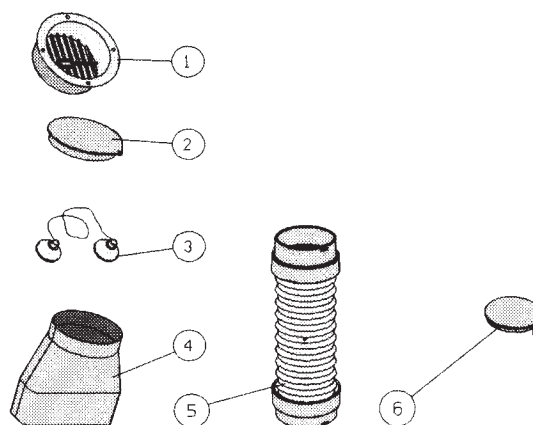


Figure 3: Accessories

# □ INSTALLATION

## INSTALLATION FOR COOLING

### FIXED INSTALLATION OPTION (See fig. 4 and fig. 5)

For fixed installation, a sleeve (see 1, fig.4) should be installed through the wall, partition or window (see fig.5).

Prepare a 110 mm diameter outlet hole. Apply a waterproof sealant to the sleeve flange and install it in the opening. Insert the end of the exhaust hose into the fixed sleeve, making sure that the connection is airtight (see fig.5).

- WARNING:**
- Make sure the unit is level.
  - Always keep a door or window slightly open.
  - Make sure that the exhaust hose is installed without sharp bends.

1. Sleeve
2. Window installation
3. Partition installation
4. Wall installation
5. Waterproof sealant

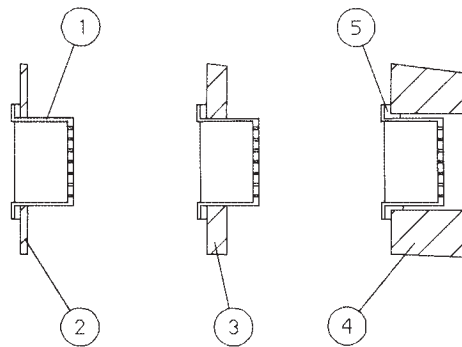


Figure 4

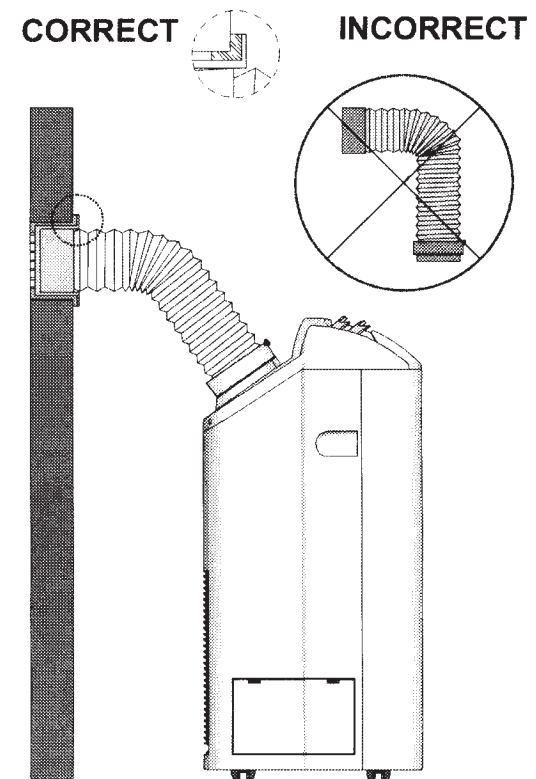
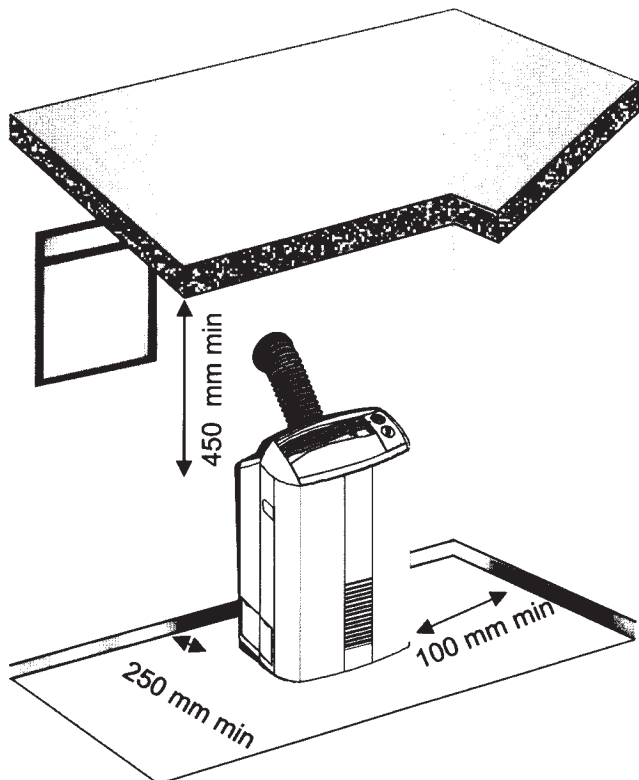


Figure 5

## PROVISIONAL INSTALLATION (See figure 6)

This method of installation does not require a permanent opening in the room. The exhaust hose is inserted through an opening in a doorway or a slightly opened window. This allows the unit to be easily moved from room to room and re-installed within minutes.

Fit the window nozzle (4, fig. 3) to the end of the exhaust hose and insert it through the doorway or window opening. Use suction pads (3, fig. 3) to hold the window in place.

**WARNING:** Make sure the unit is positioned horizontally.

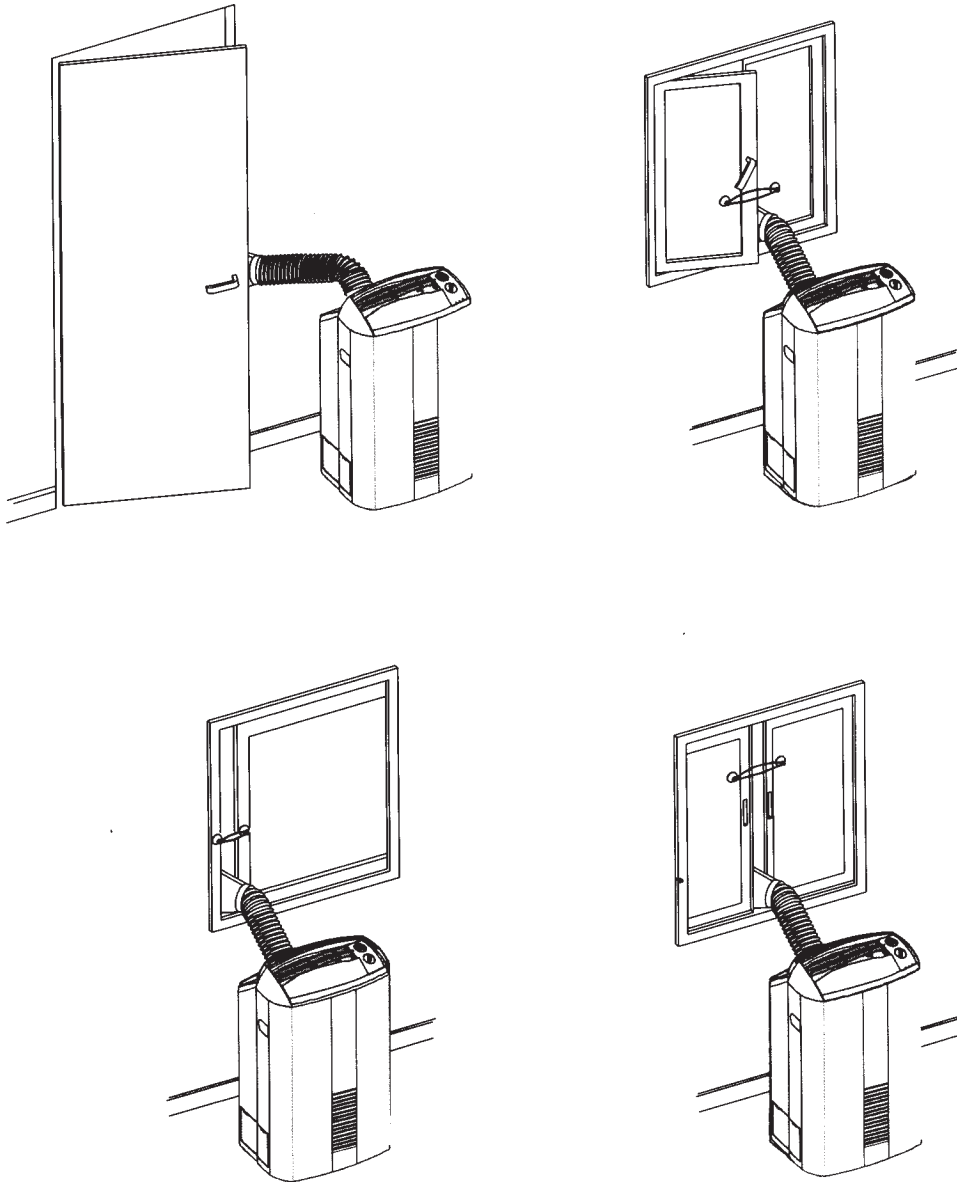


Figure 6

### **INSTALLATION FOR HEATING – For Electronic Models Only (see figures 3, 7)**

The exhaust hose is not required for heating operations. Remove the hose and store it. Use the Sleeve Cover (2, Fig. 3) to close the wall opening. Close also the air exhaust opening with the Air Exhaust Cover. (See fig. 7).

### **INSTALLATION FOR «DRY» OPERATION – For Electronic Models Only**

In DRY operation, (a mode giving priority to dehumidification while cooling), the exhaust hose removes hot, moist air from the room. The method of installation is the same as for the cooling operation.

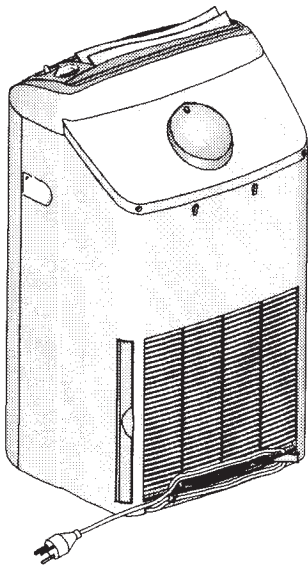
### **INSTALLATION FOR DEHUMIDIFICATION – For All Models (see figure 8)**

In this mode of operation, the exhaust hose should be disconnected. Remove the exhaust hose and store it.

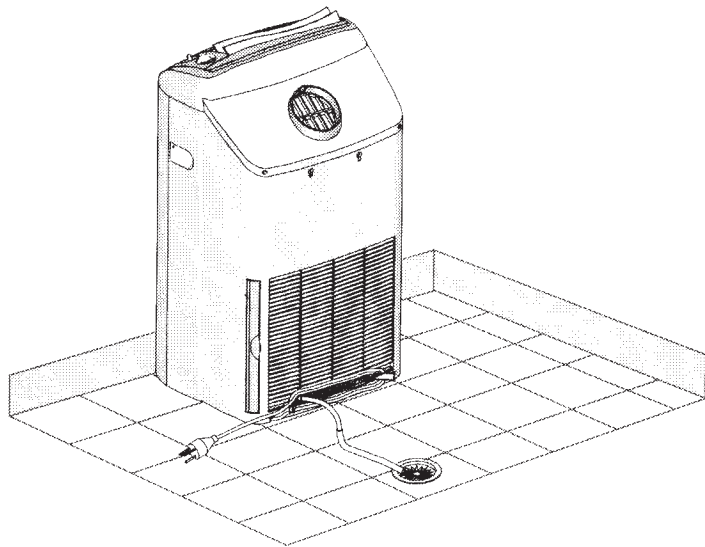
During the entire dehumidification operation, the unit must be connected to a permanent drain by means of an extension tube.

#### **NOTE:**

**DURING PROLONGED DEHUMIDIFICATION OPERATION EXPECT A RISE IN ROOM TEMPERATURE.**



**Figure 7: Installation for heating**



**Figure 8: Installation for dehumidification**

### **ELECTRICAL CONNECTION**

Before plugging in, check that:

- The power supply and the fuse correspond to the value specified on the unit's nameplate.
- The socket and the lead mains correspond to the power requirements of the air conditioner.
- The socket fits the plug and is easily accessible.
- The socket is properly grounded.

**The manufacturer cannot be held responsible for any damage resulting from failure to follow normal safety procedures.**



## ❑ OPERATION – (With remote control)

In order to obtain maximum comfort and economical operation, please make sure:

- To follow the instructions for Installation For Cooling on page 4.
- That the air outlet and inlet openings on the unit are unobstructed.
- To shade the room from direct sunrays and avoid excessive sources of heat in the room.

## MODES OF OPERATION, FUNCTIONS AND FEATURES



### COOL

Cools, dehumidifies and filters the room air. Maintains desired room temperature.



### HEAT

Heats and filters the room air. Maintains desired room temperature.



### AUTO COOL/HEAT

*Provided in certain models, not to be used in portable air conditioners with electric heaters.*



### DRY

Dehumidifies and softly cools the room air. In DRY Mode, the air conditioner operates with increased dehumidifying power. This function is recommended for use when the temperature is rather low, but the humidity is high.



### FAN

Circulates and filters the room air. Maintains constant air movement in the room



### AUTO FAN

The air conditioner automatically selects the FAN, in accordance with the temperature of the room. When starting this operation, the unit operates at high fan speed. As the room air approaches the desired temperature, the fan switches to a lower speed for quieter operation.



### TIMER

Real time control and display, automatically turns the air conditioner ON and OFF, according to the time of day setting. This ensures comfortable conditions when returning home, without wasting electricity; it turns off the air conditioner, automatically, when sleeping.



### SLEEP

Designed to create comfortable sleeping conditions. When in COOLING mode, the temperature rises one degree centigrade above the set-point after each consecutive hour for up to three hours from the start of the mode. The rise in temperature prevents the sense of over-cooling while sleeping (when your body is resting). In HEATING mode the reverse occurs; the air conditioner lowers the temperature one degree every hour. When in SLEEP mode, the air conditioner will be automatically turned off after seven hours. The result is a more comfortable and invigorating sleep, which leaves you feeling fresh and energetic in the morning.



#### **VERTICAL AIR SWING (OPTIONAL)**

Automatic swing of air supply in a vertical direction. The flaps automatically move in upward and downward directions to disperse the conditioned air evenly throughout the room.



#### **FILTER AND WATER OVERFLOW INDICATION** (see indicator C on figure 10)

Filter indicator on the indoor unit display is turned on when the filter requires cleaning. After cleaning and reinstalling the filter, the system should be reset. When the indicator is blinking, it indicates that the water tank is full of water and needs to be drained.



#### **BUZZER INDICATOR**

A soft buzzer will sound from the indoor unit display to indicate that a command sent by the remote control has been accepted and stored in the unit's memory. The user may easily cancel this feature from the display panel.

#### **ON-UNIT OPERATION** (see buttons E and D on figure 10)

The air conditioner can be turned on or off directly from the indoor unit display panel, without the use of the remote control.

#### **3-MIN. DELAYED RE-START**

The compressor is protected by a three-minute delayed restart function.

#### **MEMORY**

The microprocessor retains the last data entry, whether or not the unit is plugged in. Therefore, when the unit restarts after a power disruption or failure, it will resume operation in the same mode as before the power disruption.

#### **STORED SETTINGS**

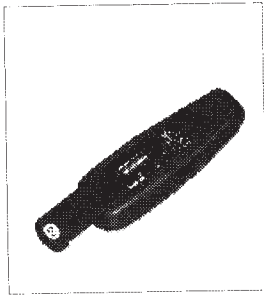
The air conditioner will store all the settings of the operating MODE.

## USE OF WIRELESS REMOTE CONTROL

### PRIOR TO OPERATION

Prior to operating your air conditioner, make sure that:

- The unit is properly connected to the power supply.
- The red tab protecting the remote control battery has been removed.
- For clock settings, see page 15.



### REMOTE CONTROL BATTERY CHANGE

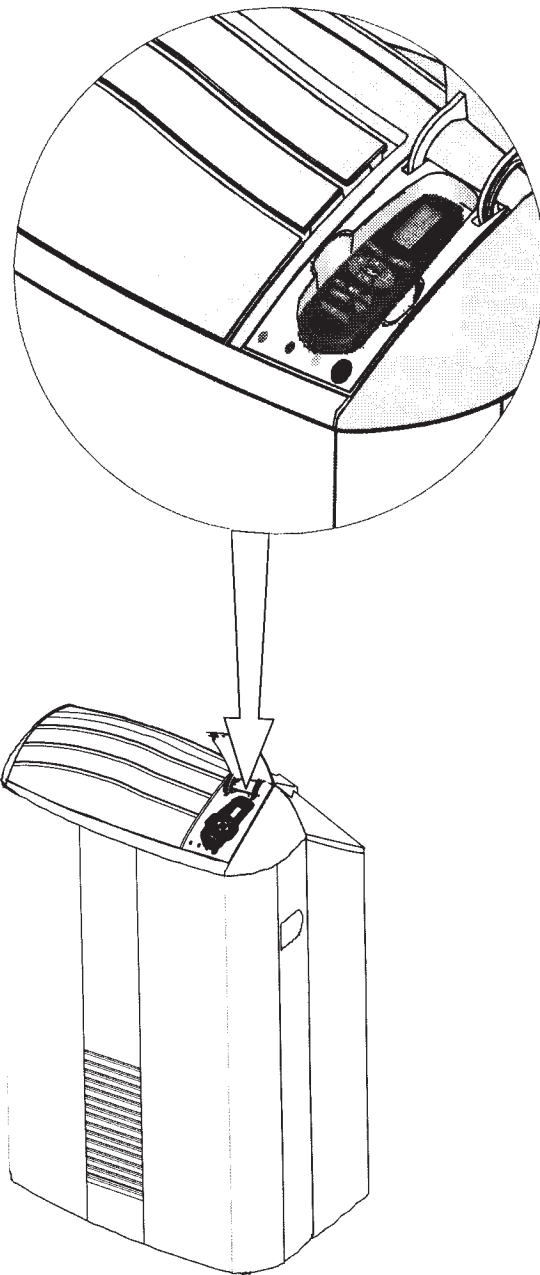
- Remove the batteries from the remote control unit, as shown on the figure, above.
- Use two 1.5 volt, size AAA batteries.
- In order to protect the environment, please return used batteries for recycling.

### REMOTE CONTROL COMPARTMENT

Use the remote control compartment when the unit is not in use. The remote control can be flipped in or out of its compartment. (see figure 9).

### PROTECTING THE ELECTRONIC SYSTEM

- The unit and the remote control must be at least one meter away from any TV, radio or any other electronic home appliance.
- Protect the unit and the remote control from direct sunrays or lighting.



**Figure 9. Remote control application**

- Aim the remote control towards the air conditioner's infrared signal receiver when it is operating.
- The remote control signal can be received at a distance of up to 8 m.
- Be sure that there are no obstructions between the remote control and the signal receiver.
- Do not drop or throw the remote control unit.
- Do not place the remote control unit in a location exposed to direct sunlight, or next to a heating unit, or any other heat source.
- Do not expose the air conditioner signal receiver to strong light, such as a fluorescent lamp or sunlight.

## ON-UNIT INDICATORS AND CONTROLS (see Figure 10)

### A. TIMER INDICATOR

Lights up during TIMER and SLEEP operation.

### B. OPERATION INDICATOR

Lights up during operation. Blinks to confirm that the remote control infrared signal has been received and stored.

### C. FILTER AND WATER OVERFLOW INDICATOR

Lights up when air filter requires cleaning. Blinks when the water pan is full.

### D. RESET/CANCEL BUTTON

Press to turn off the FILTER indicator and to reset the filter function, following the installation of a clean filter.

Press to cancel the buzzer operation.

### E. MODE - COOL / HEAT / ON / OFF - UNIT OPERATION BUTTON

Used to switch the unit between positions OFF, ON, COOLING or HEATING\*, without using the remote control.

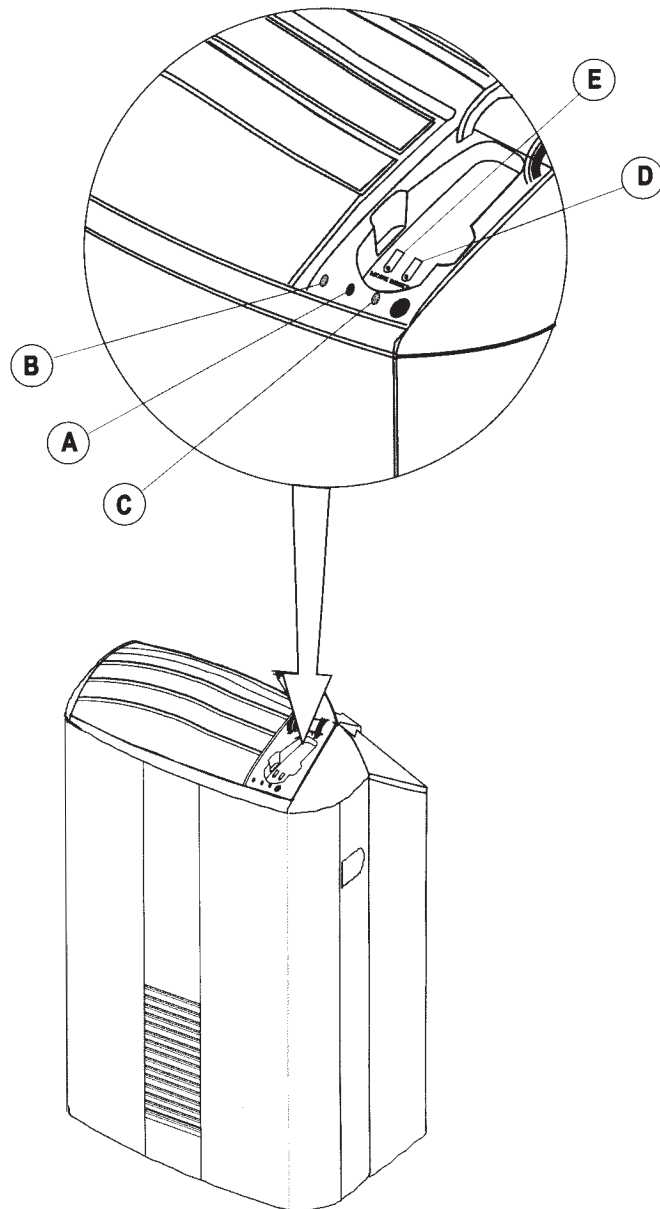


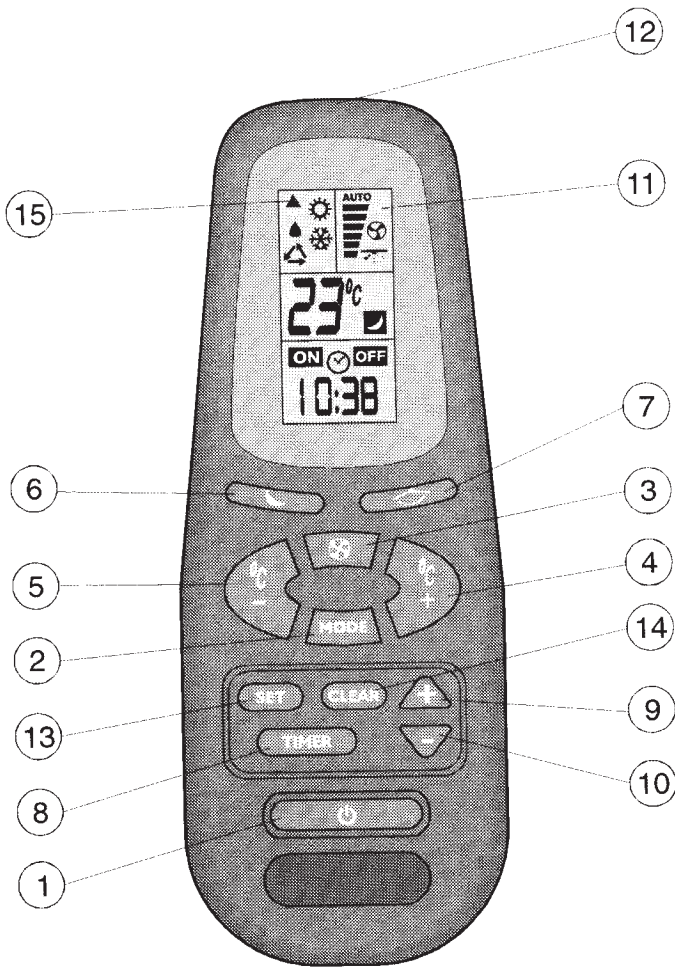
Figure 10

## ON-UNIT OPERATION

If the remote control cannot be operated, the air conditioner can be turned on for cooling or heating, or completely turned off, by pressing MODE button (E). The MODE button will change the operational status of the unit between the - COOLING – HEATING – OFF positions every time it is pressed.

\* **NOTE:** The heating modes are used on units with cooling and heating.

**REMOTE CONTROL** (see Figure 11)



- 1** START/STOP button
- 2** Operation MODE selection button
- 3** FAN SPEED and AUTO FAN button
- 4** Temperature set UP button (+)
- 5** Temperature set DOWN button (-)
- 6** SLEEP button
- 7** Automatic vertical air swing
- 8** TIMER select button
- 9** TIMER set up button (+)
- 10** TIMER set down button (-)
- 11** LCD operation display
- 12** Infrared signal transmitter
- 13** TIMER SET button
- 14** TIMER CLEAR button
- 15** Transmission sign

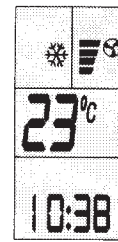
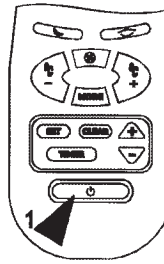


**Figure 11**

## OPERATION PROCEDURE (see Figs. 10 & 11)

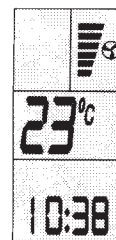
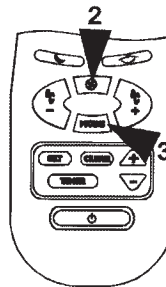
### TURNING ON THE AIR CONDITIONER

Press START/STOP button (1) to turn on the air conditioner. Operation Indicator (B) on the air conditioner will light up, indicating that the unit is in operation. Note that the LCD operation display (11) will always show the last mode of operation and the previous function used.



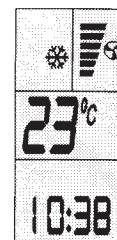
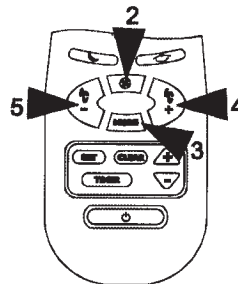
### VENTILATING OPERATION

Select the FAN mode by pressing MODE button (2). Switch to the desired fan speed or AUTO speed by pressing FAN speed button (3).



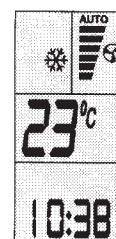
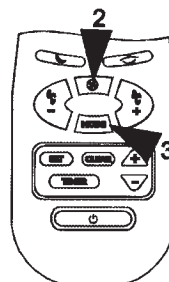
### COOLING OPERATION

Select the COOLING mode by pressing MODE button (2). Switch to the desired fan speed or to AUTO fan by pressing button (3). Select suitable temperature setting.



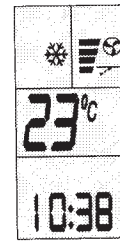
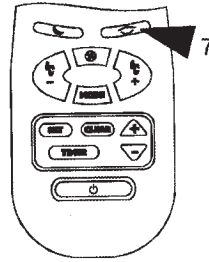
### COOLING OPERATION WITH AUTO FAN MODE

This operation starts at the highest airflow, in order to quickly lower the room temperature. It will then automatically switch to low air flow, in order to quietly maintain the selected temperature.



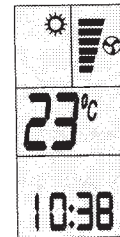
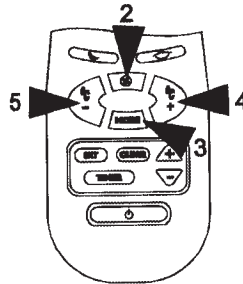
### AUTOMATIC VERTICAL AIR SWING

Press button (7) to activate the auto air swing. Press the button again to deactivate this function.



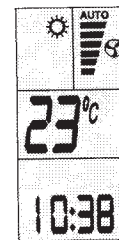
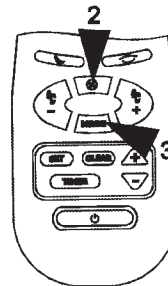
### HEATING OPERATION \*

Select the HEATING mode by pressing MODE button (2). Switch to the desired Fan Speed or to AUTO FAN by pressing the Fan button (3). Select the suitable temperature setting. (see figure 7 for unit installation)



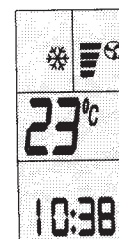
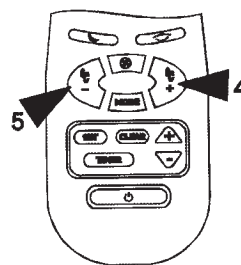
### HEATING OPERATION WITH AUTO FAN MODE \*

In this mode of operation, the indoor fan speed changes automatically, according to the room temperature.



### SELECTING THE TEMPERATURE

Press temperature button (4) or (5) to change the temperature setting on the LCD operation display (11). The temperature setting is shown in centigrade degrees. A higher number indicates a higher room temperature; a lower number indicates a lower room temperature.

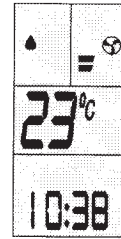


\* NOTE: The heating modes are used on units with cooling and heating.

---

## DRY OPERATION

Select DRY mode by pressing MODE button (2). Select the suitable temperature setting. While in DRY mode, the air conditioner will operate at low fan speed, regardless of the fan setting on the LCD operation display. The fan might stop operating from time to time to prevent over-cooling.



NOTE: In high humidity conditions, the water tank may fill up. When this occurs, cooling will stop and the filter indicator will blink.

Wait at least 5 minutes, then remove the water tank and empty it. (see figure 19).

As an option:

Drain the water into a water pan, as shown in figure 12. Place the drain tube in the pan and remove the plug.

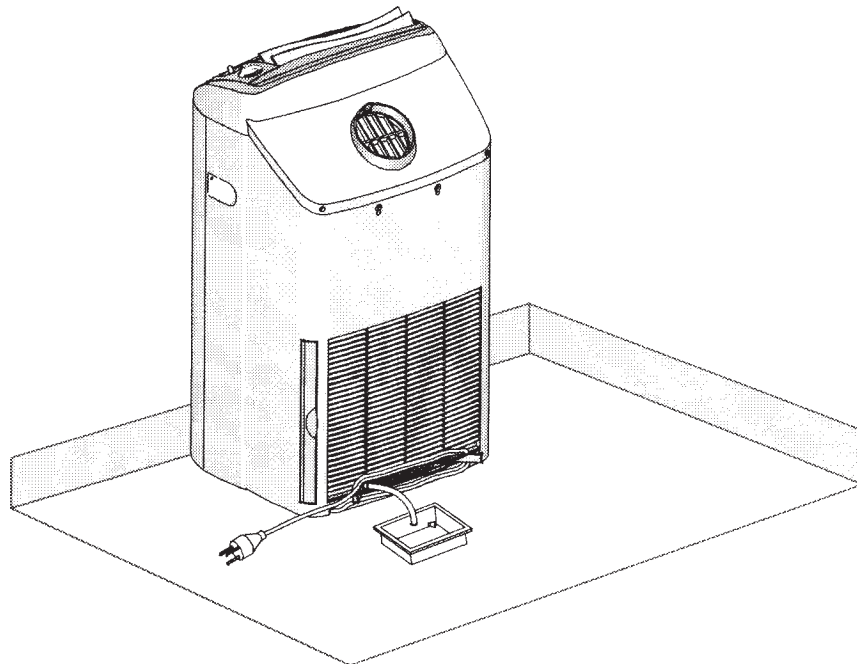
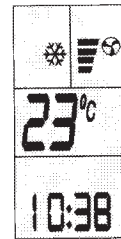
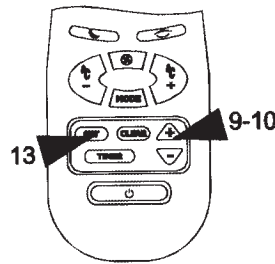


Figure 12



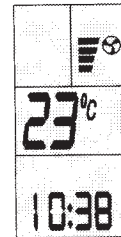
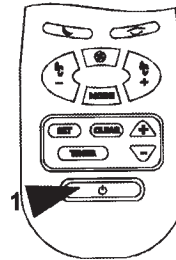
### CURRENT CLOCK TIME SET

Clock setting is performed when batteries are inserted. The remote control displays the setting, and the clock display will blink " 00:00 " or " 12:00 " until a new time is set. For clock settings, use buttons (9) (10) in order to set the hours and minutes, respectively, and then press timer SET button (13). The clock setting can also be performed by pressing the timer SET button (13) for 5 seconds. The clock display will blink; for a new setting, follow the steps described above.



### TURNING OFF THE AIR CONDITIONER

Press START/STOP button (1) to turn OFF the air conditioner. Operation Indicator (B) on the air conditioner will be turned off. The remote control LCD will display the clock time and room temperature or the set-point temperature. The last operating set-up will be kept for the next operation.

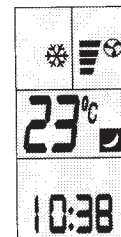
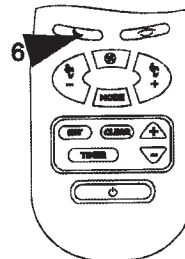


### SLEEP FUNCTION

Press SLEEP button (6) to select the SLEEP function. When the sleep function is activated, the air conditioner will be automatically turned OFF after seven hours. If at the same time TIMER OFF is activated as well, the air conditioner will be turned OFF according to the TIMER settings. TIMER indicator (A) on the air conditioner will light up during SLEEP function.

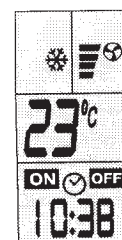
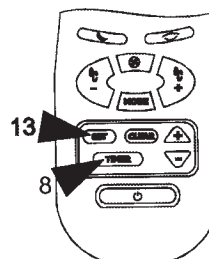
To cancel SLEEP function press one of the following:

- START/STOP button (1)
- SLEEP button (6)



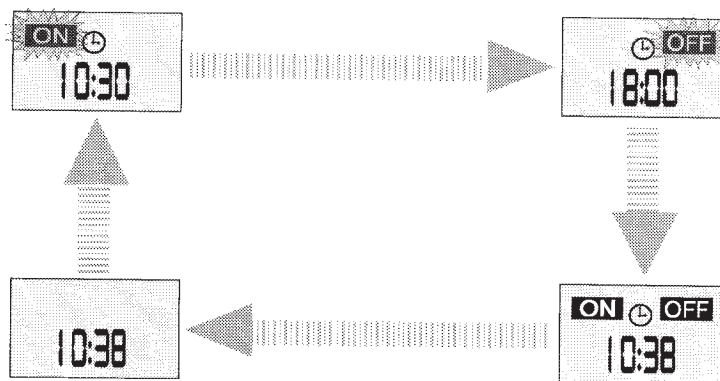
### TIMER OPERATION

Press the TIMER select button (8) to activate the timer operation mode. Each time the TIMER button (8) is pressed, one of the four types of operation modes (shown below) will appear on the LCD display. The operation modes are sequenced in the direction of arrow. Indicator (A) on the air conditioner will light up during TIMER operation.



**NOTE:** After a power failure, the TIMER indicator (A) will blink. When the unit is in TIMER mode, the unit will automatically change to STAND BY mode and the timer operation will be cancelled. To resume the timer operation, follow the instructions, above.

## TIMER OPERATING MODES



### I. TIMER ON

This mode enables you to set a time for starting its operation. Press the TIMER button (8) until the ON sign blinks. Starting time can be adjusted using the up and down buttons (9) and (10), respectively. Press SET button (13) to activate the timer.

**Example:** Operation is restored at 10:30

### II. TIMER OFF

This mode enables you to set the time at which timer stops its operation. Press the timer button (8) twice and the OFF sign will blink. Time can be adjusted using the up and down buttons (9) and (10), respectively. Press SET button (13) to activate the timer.

**Example:** Operation stops at 18:00

### III. TIMER ON AND OFF

This mode enables you to set the start and stop time of operation. Press the TIMER button (8) until the ON sign blinks; by pressing again the OFF sign will blink. Time can be adjusted by using the up and down buttons (9) and (10), respectively. Press SET button (13) to activate the timer.

**Example:** Operation is restored at 10:30 and stops at 18:00.

### IV. CLEAR

Use this mode to cancel timer operation. Press CLEAR button (14) and timer operation will terminate, and the LCD display will be cleared for each timer mode. When the CLEAR button is pressed, the timer indicator (A) will turn OFF.

**NOTE:** If the timer button (8) is selected and neither TIME ADJUST, SET, or CLEAR buttons are pressed within 15 seconds, the timer operation will be canceled and the last set-up will be displayed.

## □ OPERATION – (Electro - Mechanical Model)

The air conditioner has the following features:

- On-unit operation control
- Indicator control leds
- Warning light
- Thermostat

### ON UNIT CONTROL AND DISPLAY PANEL (see figure 13)

In order to obtain maximum comfort and economical operation, please make sure:

- To follow the instructions for Installation For Cooling on page 4.
- That the air outlet and inlet openings on the unit are unobstructed.
- To shade the room from direct sunrays and avoid excessive sources of heat in the room.

#### A – Selector switch knob

##### Selector switch positions

- A 1. Off
- A 2. Fan only – High
- A 3. Cooling – High
- A 4. Cooling – Low

#### B – Temperature control knob

#### C – Indicators

- C 1. Cooling indicator
- C 2. Operation indicator
- C 3. Overflow indicator

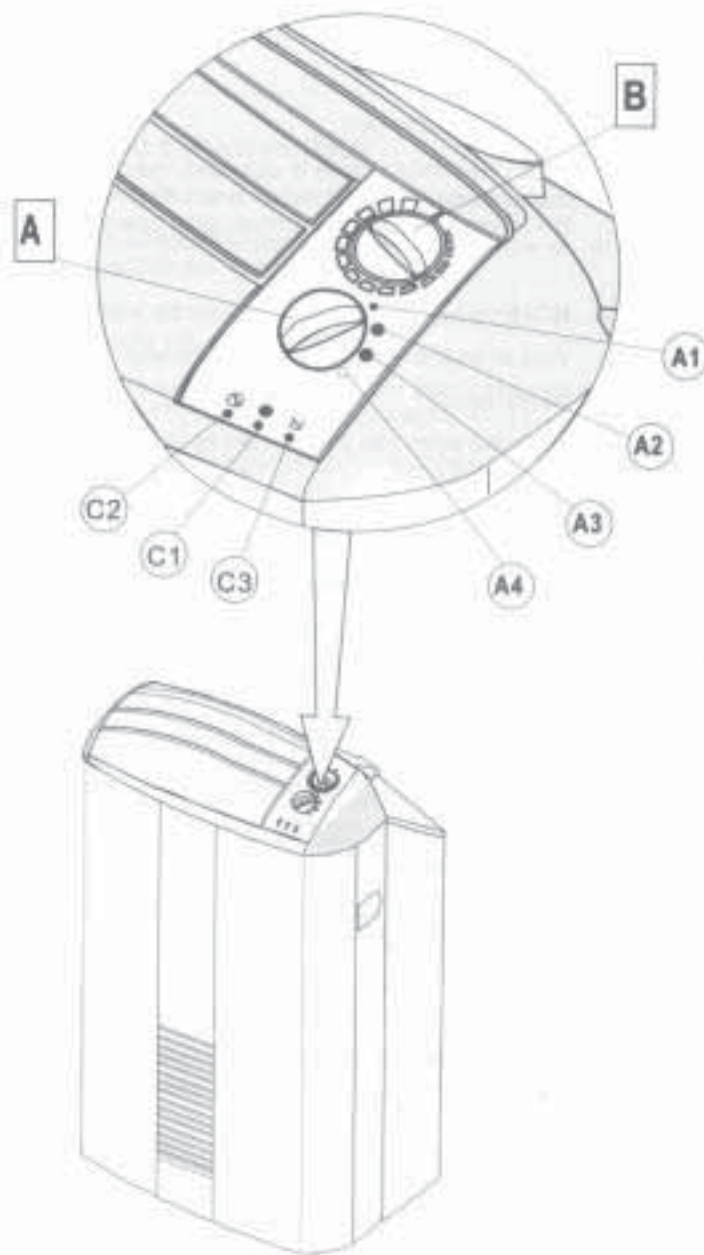


Figure 13

## OPERATING PROCEDURE

Plug the unit into a power supply, and the operation indicator (C2) lights up. This indicates that the unit is ready for operation.

### TURNING ON THE AIR CONDITIONER

Turn the selector switch knob (A) from OFF to any desired position.

#### FAN OPERATION (VENTILATING)



Turn the selector switch knob (A) to (A2)

- High fan (A2)

#### COOLING OPERATION



Turn the selector switch knob (A) to one of the following positions:

- High Cooling (A3)



- Low Cooling (A4)

When the cooling mode is activated, indicator (C1) will light up. It is recommended to use the High-cooling mode (A3) when a fast drop in temperature is required, while the Low cooling mode (A4) should be used for normal, quiet operation to maintain the selected temperature.

**NOTE:** In high humidity conditions, the water tank may fill up.

Wait at least 5 minutes, and then remove the water tank and empty it (see figure 19)

As an option:

Drain the water into a water pan as shown in figure 12. Place the drain tube in the pan and remove the plug.



#### SELECTING THE TEMPERATURE

The desired temperature is selected by turning the temperature control knob (B).

If the temperature is lower than desired, turn knob (B) counterclockwise to a new position.

If the temperature is higher than desired, turn knob (B) clockwise to a new position.

#### DEHUMIDIFYING OPERATION

##### Important:

- In this mode, the exhaust air is discharged into the room.
- The air conditioner must be connected to a permanent drain (See fig. 13). Turn selector-switch (A) to the (A4) low cooling mode. Indicator (C1) will light up.

During a prolonged dehumidification operation, expect a rise in temperature.

#### TURNING OFF THE AIR CONDITIONER

Turn the selector switch (A) to OFF position (A1).  
The power indicator (C2) will remain ON.

**WARNING:** Wait 5 minutes before restarting the cooling modes, or before changing the temperature setting.

## □ CARE AND MAINTENANCE

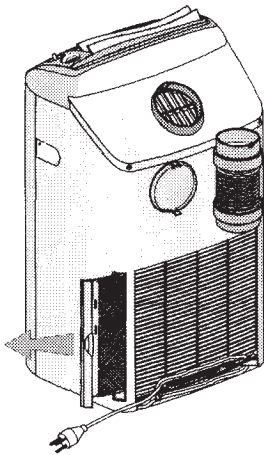


Figure 14

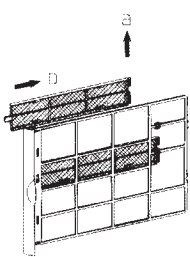


Figure 15

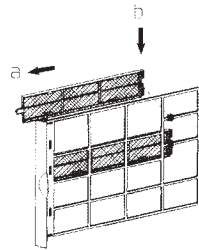


Figure 17

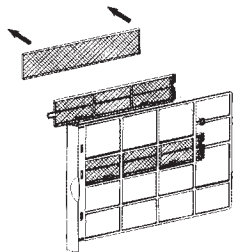


Figure 16

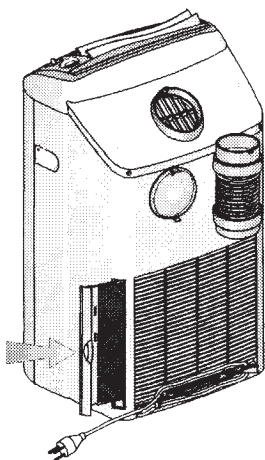


Figure 18

---

### **WARNING**

Before performing any maintenance procedure, make sure to disconnect the air conditioner from the power supply.

One of the functions of the air conditioner is to filter the supplied air by collecting dust and dirt particles from the air. Your air conditioner is provided with a main filter and with two additional purifying filters, using activated carbon and electrostatic materials.

The filter should be cleaned periodically - once a month, or at least once every season under ordinary conditions.

Failure to clean the air filter will result in reduced cooling/heating capacity and may cause damage to the unit.

---

### **CLEANING THE AIR FILTERS**

- Main filter removal and cleaning (See Figures 14, 15, 17, 18)
- To remove the main filter, hold the handle on its back and pull the filter out. (See Figure 14).
- Remove the 2 purifying filter frames from the main filter (See Figure 15).
- Rinse both sides of the main filter in lukewarm tap water and allow it to dry (not in direct sunlight).
- Attach the two purifying filter frames back on to the main filter.
- Reinstall the main filter by inserting it in the back opening of the unit and pushing the filter inwards (See Figure 18).

### **WARNING:**

**DO NOT OPERATE THE AIR CONDITIONER WITHOUT THE FILTER!**

---

### **PURIFICATION FILTER REPLACEMENT** (See Figures 15, 16, 17)

- The air purifying filters should be removed from the main filter and replaced once a year.
  - Remove the two purifying filter frames from the main filter (See Figure 15).
  - Replace the two filter elements and secure them in the frames (See Figure 16).
  - Attach the two purifying filter frames back into the main filter (See Figure 17).
- 

### **CLEANING THE AIR CONDITIONER**

- Wipe the unit with a soft cloth or clean it with a vacuum cleaner.
  - Do not use hot water or volatile materials which could damage the surface of the air conditioner.
-

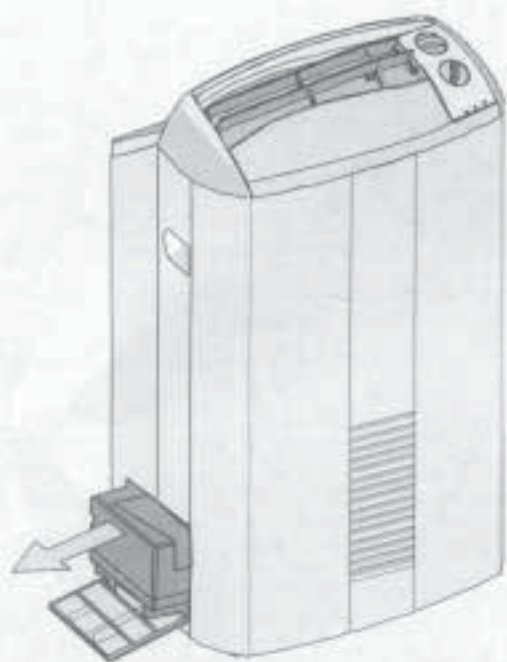


Figure 19

---

#### AT THE BEGINNING OF THE SEASON

- Make sure there are no obstacles blocking the flow of inlet or outlet air.
  - Make sure the power supply is properly connected.
- 

#### WATER TANK REMOVAL AND DRAINING

**NOTE:** To avoid water leakage on to the floor of the room, wait for at least 5 minutes after the unit has stopped cooling before removing the water tank. (filter indicator blinks)

To empty the condensed water tank, switch the unit off and remove the plug from the power supply socket.

1. Open the water tank door (see fig 19).
  2. Pull out the water tank and empty the water.
  3. Slide the water tank back into its place.
  4. Close the water tank door.
- 

#### STORING THE AIR CONDITIONER AT THE END OF THE SEASON

1. Unplug the air conditioner from the power socket.
  2. Clean the air filter
  3. Empty the water tank.
  4. Hang the exhaust hose on the key hole at the back of the air conditioner (see Fig. 2).
  5. Cover the air conditioner with a bag.
-

## ❑ IMPORTANT NOTICES

- This air conditioner has been manufactured for domestic environments and should not be used for any other purpose.
- Do not obstruct the air conditioner's air discharge and inlet.
- If repair is needed, contact only the nearest authorized service center; unqualified servicing is dangerous.
- This air conditioner is to be used by adults only. Do not allow children to play with it.
- Always ground the unit.
- Make sure that the unit is installed in a horizontal position.
- Before cleaning or performing any maintenance operations, always disconnect the electric power supply plug from the socket.
- Do not place any strain on the power cord when moving the unit.
- The air conditioner should not be installed in a place having any combustible gases, oil or sulfur in the atmosphere, or near any possible sources of heat.
- Do not place hot or heavy objects on the air conditioner.
- Clean air filter periodically.
- The air conditioner should be transported in an upright position. After transporting, wait at least one hour before switching it on.
- Move the unit with caution over carpets and rugs.
- Empty the water tank at the end of the day or before moving the unit over carpets and rugs.
- In case of damage to the power cord, replacement or repair should be made only by an authorized technician.
- In a fixed installation, the air discharged through the exhaust hose has been removed from the room. Make sure the room is not airtight. A drop in room pressure could cause irregular operation, which will, in turn, activate the system's high temperature protection control.
- This unit conforms to EEC Directive of Electromagnetic Compatibility (89/336/EEC).

## BEFORE CALLING FOR SERVICE

Before calling for service, please check the following malfunctions and correct as needed.

Should this fail to remedy the malfunction, contact your nearest authorized service center for qualified assistance.

PROBLEM	CAUSE	SOLUTION	E	M
<ul style="list-style-type: none"> <li>Unit does not operate. Operation indicator doesn't light up.</li> </ul>	<ul style="list-style-type: none"> <li>Power failure.</li> <li>Plug is disconnected.</li> <li>The water tank is out of the unit, or not inserted properly in place.</li> </ul>	<ul style="list-style-type: none"> <li>Check main fuse.</li> <li>Insert plug in power supply socket.</li> <li>Insert the water tank in its place.</li> </ul>	X	X
<ul style="list-style-type: none"> <li>Unit does not operate. Operation indicator lights.</li> </ul>	<ul style="list-style-type: none"> <li>Remote control malfunctions.</li> </ul>	<ul style="list-style-type: none"> <li>Check remote control batteries.</li> <li>Try to operate from a closer distance.</li> <li>Start from on-unit controls.</li> <li>Perform reset operation by pressing buttons (9), (10), (13), (14) for 5 seconds.</li> </ul>	X	
<ul style="list-style-type: none"> <li>Unit operates for only brief periods in cooling or dry mode.</li> </ul>	<ul style="list-style-type: none"> <li>Improper temperature setting.</li> </ul>	<ul style="list-style-type: none"> <li>Decrease temperature setting</li> </ul>	X	
<ul style="list-style-type: none"> <li>Unit functions, but does not perform efficiency.</li> </ul>	<ul style="list-style-type: none"> <li>Window is open.</li> <li>Source of heat in the room (cooker, etc.) or room is over crowded with people.</li> <li>Unit capacity is insufficient for load or room size.</li> <li>Improper temperature setting.</li> <li>Air filter is clogged.</li> <li>Exhaust hose blocked, twisted or bent.</li> </ul>	<ul style="list-style-type: none"> <li>Close window.</li> <li>Remove source of heat.</li> <li>Consult your dealer.</li> <li>Adjust temperature setting.</li> <li>Clean filter.</li> <li>Remove obstruction.</li> </ul>	X	X
<ul style="list-style-type: none"> <li>Filter indicator blinks. Unit does not cool.</li> </ul>	<ul style="list-style-type: none"> <li>Water tank is full of water.</li> </ul>	<ul style="list-style-type: none"> <li>Drain the water through the rear drain tube. (See fig. 19).</li> </ul>	X	X
<ul style="list-style-type: none"> <li>Unit does not heat.</li> </ul>	<ul style="list-style-type: none"> <li>Temperature setting is too low.</li> </ul>	<ul style="list-style-type: none"> <li>Reset temperature setting.</li> </ul>	X	



PROBLEM	CAUSE	SOLUTION	E	M
<ul style="list-style-type: none"> <li>Unit does not respond properly to remote control command.</li> </ul>	<ul style="list-style-type: none"> <li>IR signal does not reach unit.</li> <li>Distance between remote control and unit is too great or remote control unit is aimed at improper angle.</li> <li>IR receiver on unit is exposed to strong light source.</li> </ul>	<ul style="list-style-type: none"> <li><input type="checkbox"/> Check for obstruction between unit and remote control; clear if needed.</li> <li><input type="checkbox"/> Get closer to unit.</li> <li><input type="checkbox"/> Dim lights, especially fluorescent.</li> </ul>	X	
<ul style="list-style-type: none"> <li>Operating indicator blinks.</li> </ul>	<ul style="list-style-type: none"> <li>Compressor operates at high pressure.</li> </ul>	<ul style="list-style-type: none"> <li><input type="checkbox"/> Normal operation of the air conditioner.</li> <li><input type="checkbox"/> Operate the unit in high cooling mode.</li> <li><input type="checkbox"/> Verify that the exhaust hose has been installed correctly without bends, allowing free airflow.</li> </ul>	X	
<ul style="list-style-type: none"> <li>Filter indicator lights up.</li> </ul>	<ul style="list-style-type: none"> <li>Air filter is contaminated.</li> </ul>	<ul style="list-style-type: none"> <li><input type="checkbox"/> Clean filter, reinstall it and reset indicator.</li> </ul>	X	

**Legend:**

E - Electronic version

M - Electro-mechanical version

