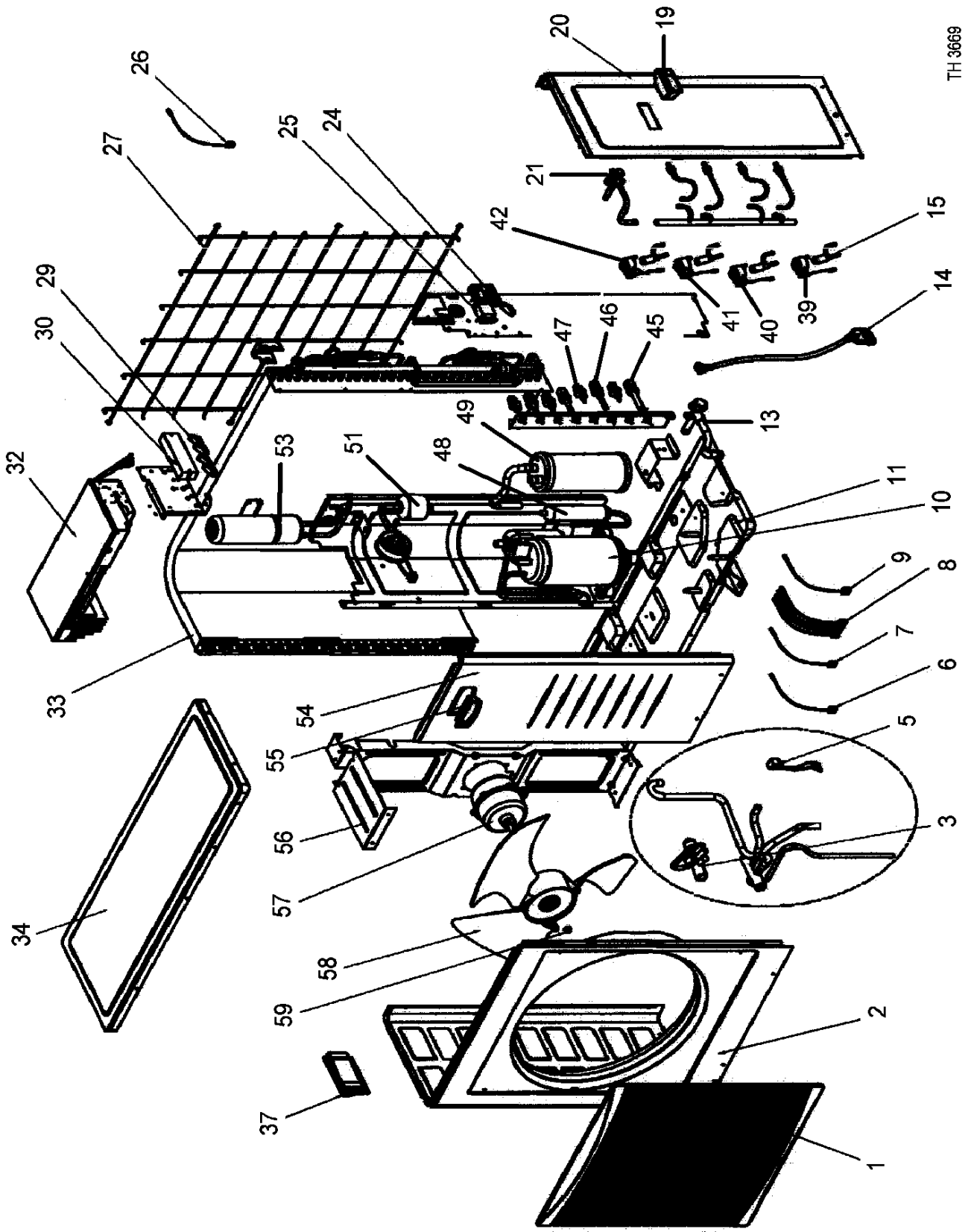


OU-DCI QUATTRO



Brand :Electra Model : OU-DCI QUATTRO / R410

Product Number : ESP061606

Internal number : 4167

Version : Heat pump 230/1/50

Spare parts list used

| Loc | Spare parts code | Replaced by | Qty | Description | Observation |
|-----|------------------|-------------|-----|--|-------------|
| 27 | 453175500 | | 1 | Back grille | |
| 11 | 452809900 | | 1 | Bottom assy | |
| 29 | 204107 | | 5 | Cable clamp | |
| 5 | 452956700 | | 1 | Coil reversing valve | |
| 39 | 452682803 | | 1 | Coil solenoid valve | |
| 42 | 452682802 | | 1 | Coil solenoid valve | |
| 41 | 452682800 | | 1 | Coil solenoid valve (lg wire: 530mm) | |
| 40 | 452682801 | | 1 | Coil solenoid valve (yellow, lg wire :700mm) | |
| 6 | 452966200 | | 1 | Compressor probe | |
| 10 | 453174100 | | 1 | Compressor TNB220FLBM | |
| 14 | 452956600 | | 1 | Compressor wiring | |
| 33 | 452802500 | | 1 | Condenser | |
| 7 | 452677601 | | 1 | Condenser probe | |
| 32 | 452956100 | | 1 | Deicing module DCI | |
| 24 | 467300005 | | 1 | Display assembly | |
| 51 | 4518950 | | 1 | Dryer filter BFK-053S | |
| 57 | 452855600 | | 1 | Fan motor | |
| 1 | 4522604 | | 1 | Front grill | |
| 2 | 4523652 | | 1 | Front LH panel | |
| 54 | 452956300 | | 1 | Front RH panel | |
| 21 | 452783100 | | 1 | Gas valve HP 3/8" | |
| 19 | 4517772 | | 1 | Handle | |
| 37 | 4522600 | | 1 | Left handle | |
| 53 | 452783300 | | 1 | Liquid accumulator | |
| 49 | 452783200 | | 1 | Liquid-gas separator | |
| 56 | 452888500 | | 1 | Motor support | |
| 59 | 4523758 | | 1 | Nut M8 | |
| 48 | 452783600 | | 1 | Oil separator cylinder | |
| 26 | 4526774 | | 1 | Outdoor air probe | |
| 58 | 452960400 | | 1 | Propeller | |
| 8 | 452956400 | | 1 | Return gas thermistor | |
| 3 | 4526522 | | 1 | Reversing valve | |
| 55 | 4522601 | | 1 | Right handle | |
| 20 | 452957700 | | 1 | Side panel | |
| | | | | | |

Brand :Electra Model : OU-DCI QUATTRO / R410

Product Number : ESP061606

Internal number : 4167

Version : Heat pump 230/1/50

Spare parts list used

| Loc | Spare parts code | Replaced by | Qty | Description | Observation |
|------------|-------------------------|--------------------|------------|----------------------------|--------------------|
| 15 | 4526827 | | 4 | Solenoid valve | |
| 9 | 452956500 | | 1 | Suction thermistor | |
| 30 | 453031700 | | 1 | Terminal (10 bits) | |
| 25 | 453031800 | | 1 | Terminal strip 3 terminals | |
| 34 | 4523657 | | 1 | Top panel | |
| 45 | 452783500 | | 1 | Valve 1/2" | |
| 47 | 452783502 | | 4 | Valve 1/4" | |
| 46 | 452783501 | | 3 | Valve 3/8" | |
| 13 | 452783000 | | 1 | Valve LP 1/2" | |