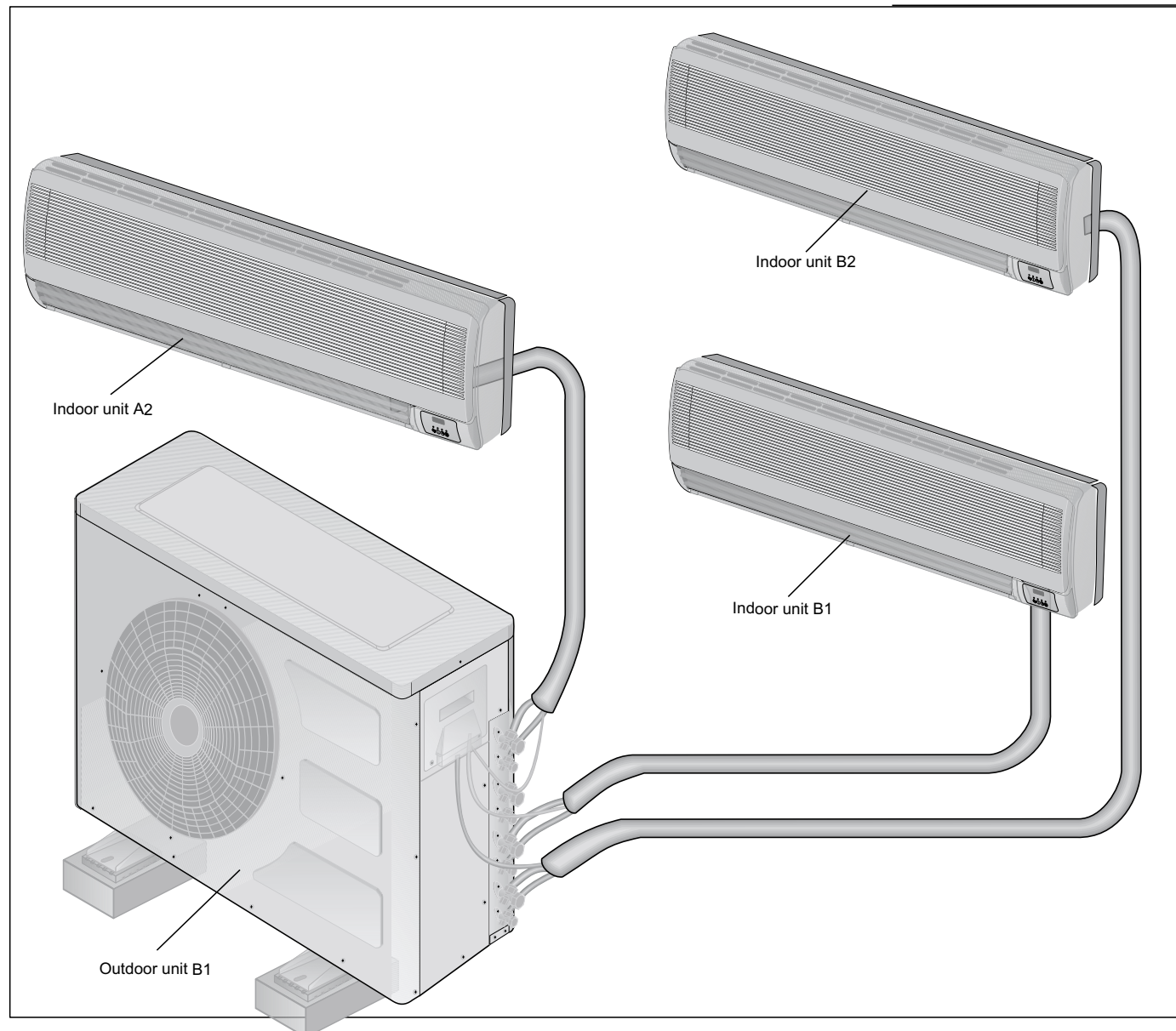


INSTALLATION OF A MULTI SPLIT UNIT(3 indoor units)

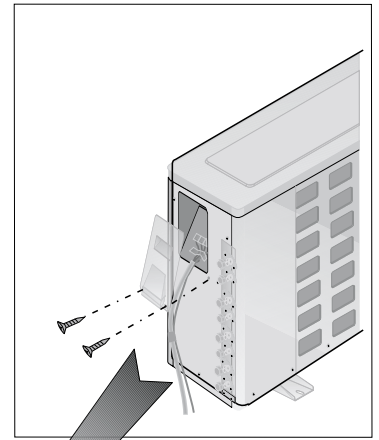
The multi-split unit will be installed according to the previous instructions.



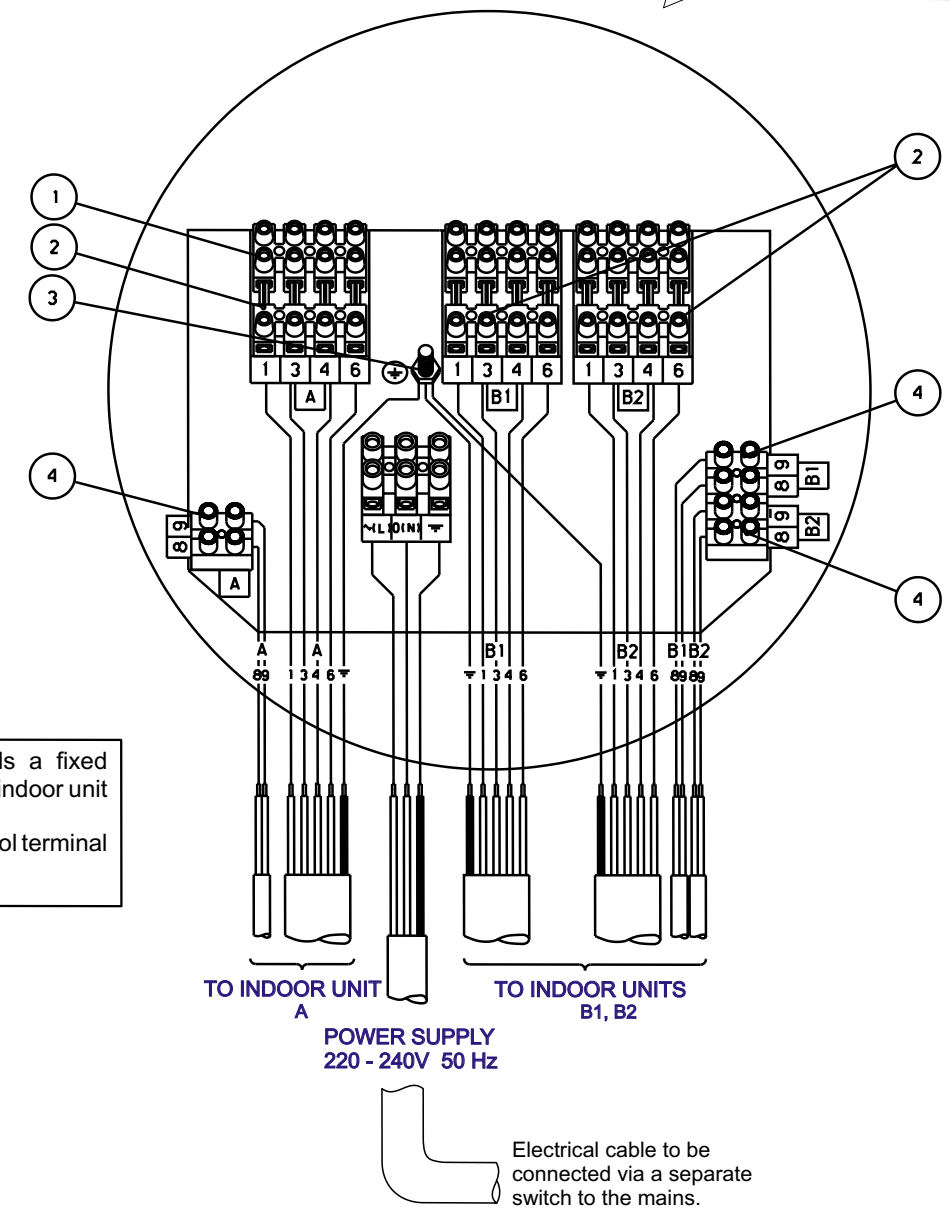
ELECTRICAL CONNECTIONS BETWEEN OUTDOOR UNIT AND THE THREE INDOOR UNITS

1. Use electrical cables according to paragraph 6.
2. Make electrical connections of the indoor units according to paragraph 6. Identical for unit A, unit B1 and unit B2.
3. At the outdoor unit :
 - A. Wire the connector of the outdoor unit to the multiple wire power cables and insert it into the terminal end connector in the outdoor unit.
 - B. Connect the twin wire cable and the mains cables to the appropriate terminals.
 - C. Connect the yellow/green earth wire to the ground screw.
 - D. Secure multiple wire power cable with the cable clamps.
 - E. Fasten the twin wire cable to the power cable with cable ties.
4. The main power cable should be connected to a switch and, from there, to outdoor unit.

Attention! For multi-split units, remove power supply cord from indoor unit. Connect main power supply to outdoor unit only!



1. Female connector
2. Male connector
3. Earth
4. Control terminal *



***NOTE:** On some models a fixed resistor is connected on all indoor unit terminals 8, 9. in that case ignore the control terminal connection (4).