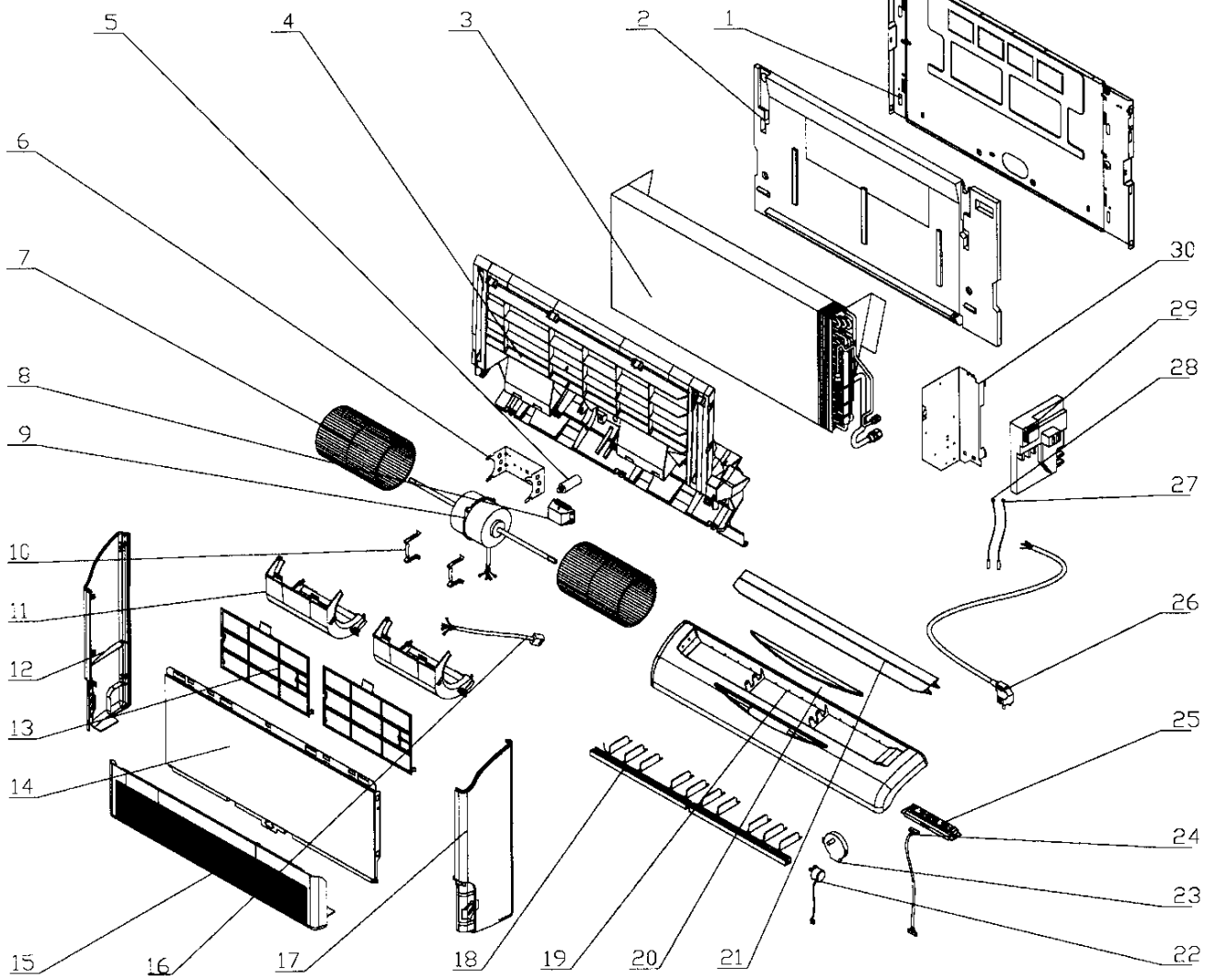


PXD-9/12/15/18



**Brand :Electra Model : PXD 12 N RC / R410**

Product Number : ESP012138

Internal number : 3985

Version : Heat pump

**Spare parts list used**

Loc	Spare parts code	Replaced by	Qty	Description	Observation
13	C221555		2	Air filter	
8	4520933		1	Auto-transformer	
28	231219		1	Battery probe length 320mm (black)	
5	455000600		1	Capacitor	
19	370281		1	Discharge frame	
25	234213		1	Display	
20	375209-16		1	Display screen Electra	
29	452837700		1	Electronic card Storm 10V7 (916-355-18)	
3	452791200		1	Evaporator	
4	373247		1	Fan frame (condensate tray)	
9	4520929		1	Fan motor	
6	323425		1	Fan motor support	
24	391508		1	Flat display cable lg 1030mm	
14	C307981		1	Front panel	
11	372341		2	Half-scroll	
21	C372338		1	Horizontal front deflector	
21	C372339		1	Horizontal rear deflector	
12	C373245		1	LH side	
10	4521029		2	Motor clamp	
16	4520429		1	Motor connect wire	
23	436665		1	Motor horizontal deflectors	
22	263034		1	Motor vertical deflectors	
26	391725		1	Power cable 3x1,5 - lg 2100mm without plug	
1	307979		1	Rear panel	
2	382334		1	Rear panel isulation	
17	C373244		1	RH side	
27	438413		1	Room temperature probe length 650mm (red)	
30	311036		1	Storm panel	
15	C484001		1	Suction grill with filters	
7	293321		2	Turbine D140mm/lg=190mm	
18	371257		10	Vertical deflector link rod	

**Brand :Electra Model : PXD 15 N RC / R410**

Product Number : ESP012139

Internal number : 3986

Version : Heat pump

**Spare parts list used**

Loc	Spare parts code	Replaced by	Qty	Description	Observation
13	C221555		2	Air filter	
28	231219		1	Battery probe length 320mm (black)	
5	455000600		1	Capacitor	
19	370281		1	Discharge frame	
25	234213		1	Display	
20	375209-16		1	Display screen Electra	
29	452837700		1	Electronic card Storm 10V7 (916-355-18)	
3	452808900		1	Evaporator	
4	373247		1	Fan frame (condensate tray)	
9	4524925		1	Fan motor	
6	323425		1	Fan motor support	
24	391508		1	Flat display cable lg 1030mm	
14	C307981		1	Front panel	
11	372341		2	Half-scroll	
21	C372338		1	Horizontal front deflector	
21	C372339		1	Horizontal rear deflector	
12	C373245		1	LH side	
10	4521029		2	Motor clamp	
23	436665		1	Motor horizontal deflectors	
22	263034		1	Motor vertical deflectors	
1	307979		1	Rear panel	
2	382334		1	Rear panel isulation	
17	C373244		1	RH side	
27	438413		1	Room temperature probe length 650mm (red)	
30	311036		1	Storm panel	
15	C484001		1	Suction grill with filters	
7	293321		2	Turbine D140mm/lg=190mm	
18	371257		10	Vertical deflector link rod	

**Brand :Electra Model : PXD 18 N RC / R410**

Product Number : ESP012140

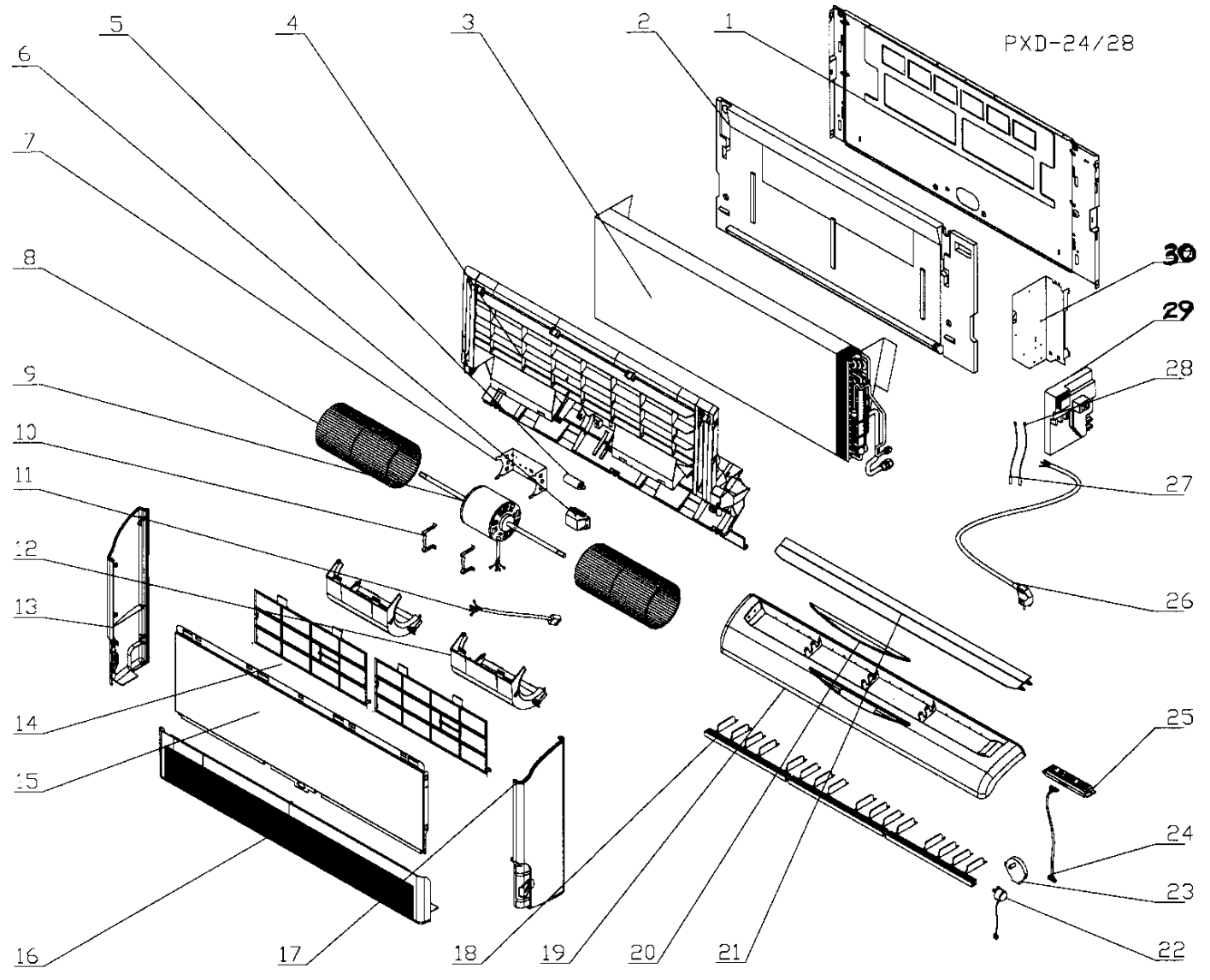
Internal number : 3987

Version : Heat pump 230/1/50

**Spare parts list used**

Loc	Spare parts code	Replaced by	Qty	Description	Observation
14	C221554		2	Air filter	
6	4520934		1	Auto-transformer	
27	231219		1	Battery probe length 320mm (black)	
5	455000604		1	Capacitor 1.5uF	
19	370280	C370280	1	Discharge frame	
25	234213		1	Display	
20	375209-16		1	Display screen Electra	
29	452837700		1	Electronic card Storm 10V7 (916-355-18)	
3	4527244		1	Evaporator	
4	373246		1	Fan frame (condensate tray)	
9	4520931		1	Fan motor	
7	323422		1	Fan motor support	
24	391508		1	Flat display cable lg 1030mm	
15	C307982		1	Front panel	
12	372340		2	Half-scroll	
21	C372336		1	Horizontal front deflector	
21	C372337		1	Horizontal rear deflector	
13	C373245		1	LH side	
10	4521029		2	Motor clamp	
11	4520429		1	Motor connect wire	
23	436665		1	Motor horizontal deflectors	
22	263034		1	Motor vertical deflectors	
1	307980		1	Rear panel	
2	382333		1	Rear panel isulation	
17	C373244		1	RH side	
28	438413		1	Room temperature probe length 650mm (red)	
30	311036		1	Storm panel	
16	C484002		1	Suction grill with filters	
8	293322		2	Turbine lg=240mm	
18	371257		16	Vertical deflector link rod	

PXD-24/28



**Brand :Electra Model : PXD 24 N RC / R410**

Product Number : ESP012141

Internal number : 4159

Version : Heat pump 230/1/50

**Spare parts list used**

Loc	Spare parts code	Replaced by	Qty	Description	Observation
14	C221554		2	Air filter	
6	4520934		1	Auto-transformer	
27	231219		1	Battery probe length 320mm (black)	
19	370280	C370280	1	Discharge frame	
25	234213		1	Display	
20	375209-16		1	Display screen Electra	
29	452837700		1	Electronic card Storm 10V7 (916-355-18)	
3	452907300		1	Evaporator	
4	373246		1	Fan frame (condensate tray)	
9	4520931		1	Fan motor	
7	323422		1	Fan motor support	
24	391508		1	Flat display cable lg 1030mm	
15	C307982		1	Front panel	
12	372340		2	Half-scroll	
21	C372336		1	Horizontal front deflector	
21	C372337		1	Horizontal rear deflector	
13	C373245		1	LH side	
5	455000602		1	Motor capacitor	
10	4521029		2	Motor clamp	
11	4520429		1	Motor connect wire	
23	436665		1	Motor horizontal deflectors	
22	263034		1	Motor vertical deflectors	
1	307980		1	Rear panel	
2	382333		1	Rear panel isulation	
17	C373244		1	RH side	
28	438413		1	Room temperature probe length 650mm (red)	
30	311036		1	Storm panel	
16	C484002		1	Suction grill with filters	
8	293322		2	Turbine lg=240mm	
18	371257		16	Vertical deflector link rod	

**Brand :Electra Model : PXD 30 N RC / R410**

Product Number : ESP012136

Internal number : 3988

Version : Heat pump

**Spare parts list used**

Loc	Spare parts code	Replaced by	Qty	Description	Observation
14	C221554		2	Air filter	
6	4520934		1	Auto-transformer	
27	231219		1	Battery probe length 320mm (black)	
19	370280	C370280	1	Discharge frame	
25	234213		1	Display	
20	375209-16		1	Display screen Electra	
29	452837700		1	Electronic card Storm 10V7 (916-355-18)	
3	453154800		1	Evaporator	
4	373246		1	Fan frame (condensate tray)	
8	4520932		2	Fan motor	
9	4520931		1	Fan motor	
7	323422		1	Fan motor support	
24	391508		1	Flat display cable lg 1030mm	
15	C307982		1	Front panel	
12	372340		2	Half-scroll	
21	C372336		1	Horizontal front deflector	
21	C372337		1	Horizontal rear deflector	
13	C373245		1	LH side	
5	455000602		1	Motor capacitor	
10	4521029		2	Motor clamp	
11	4520429		1	Motor connect wire	
23	436665		1	Motor horizontal deflectors	
22	263034		1	Motor vertical deflectors	
1	307980		1	Rear panel	
2	382333		1	Rear panel isulation	
17	C373244		1	RH side	
28	438413		1	Room temperature probe length 650mm (red)	
30	311036		1	Storm panel	
16	C484002		1	Suction grill with filters	
18	371257		16	Vertical deflector link rod	