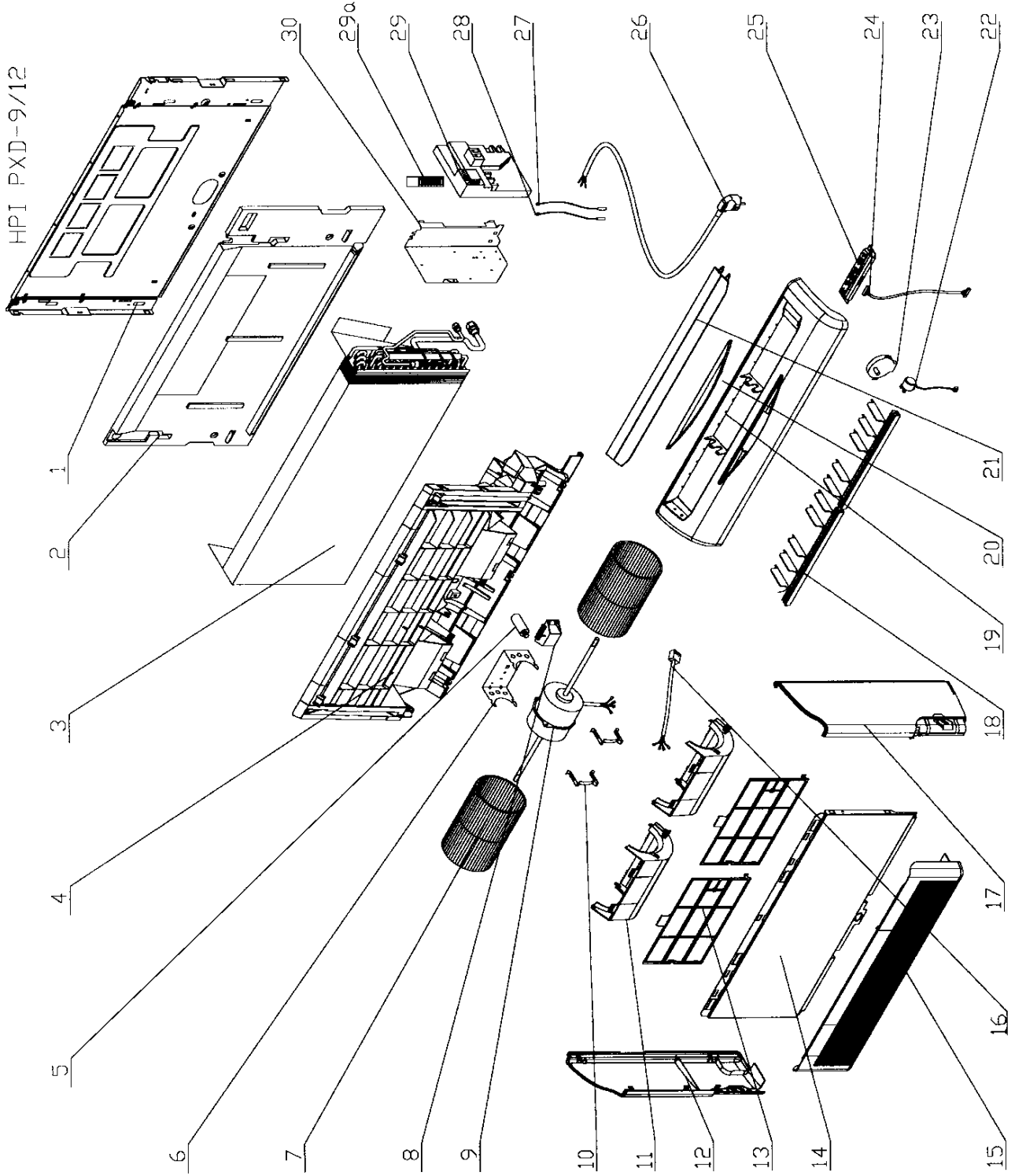


HPI PXD-9/12



Brand :Electra Model : PXD 9 DCI / R410

Product Number : ESP012133

Internal number : 4030

Version : Heat pump

Spare parts list used

| Loc | Spare parts code | Replaced by | Qty | Description | Observation |
|-----|------------------|-------------|-----|---|-------------|
| 13 | C221555 | | 2 | Air filter | |
| 8 | 452987400 | | 1 | Auto-transformer | |
| 28 | 231219 | | 1 | Battery probe length 320mm (black) | |
| 5 | 455000600 | | 1 | Capacitor | |
| 19 | 370281 | | 1 | Discharge frame | |
| 25 | 234213 | | 1 | Display | |
| 20 | 375209-16 | | 1 | Display screen Electra | |
| 29 | 452935900 | | 1 | Electronic card Storm DC | |
| 3 | 452731900 | | 1 | Evaporator | |
| 4 | 373247 | | 1 | Fan frame (condensate tray) | |
| 9 | 4520158 | | 1 | Fan motor | |
| 6 | 323425 | | 1 | Fan motor support | |
| 24 | 391508 | | 1 | Flat display cable lg 1030mm | |
| 14 | C307981 | | 1 | Front panel | |
| 11 | 372341 | | 2 | Half-scroll | |
| 21 | C372338 | | 1 | Horizontal front deflector | |
| 21 | C372339 | | 1 | Horizontal rear deflector | |
| . | 900098 | | 1 | Infrared Remote control (RC4) Electra | |
| 12 | C373245 | | 1 | LH side | |
| 10 | 4521029 | | 2 | Motor clamp | |
| 16 | 4525333 | | 1 | Motor connect wire | |
| 23 | 436665 | | 1 | Motor horizontal deflectors | |
| 22 | 263034 | | 1 | Motor vertical deflectors | |
| 26 | 4521070 | | 1 | Power cord plug | |
| 1 | 307979 | | 1 | Rear panel | |
| 2 | 382334 | | 1 | Rear panel isulation | |
| 17 | C373244 | | 1 | RH side | |
| 27 | 438413 | | 1 | Room temperature probe length 650mm (red) | |
| 30 | 311036 | | 1 | Storm panel | |
| 15 | C484001 | | 1 | Suction grill with filters | |
| 7 | 293321 | | 2 | Turbine D140mm/lg=190mm | |
| 18 | 371257 | | 10 | Vertical deflector link rod | |

Brand :Electra Model : PXD 12 DCI / R410

Product Number : ESP012134

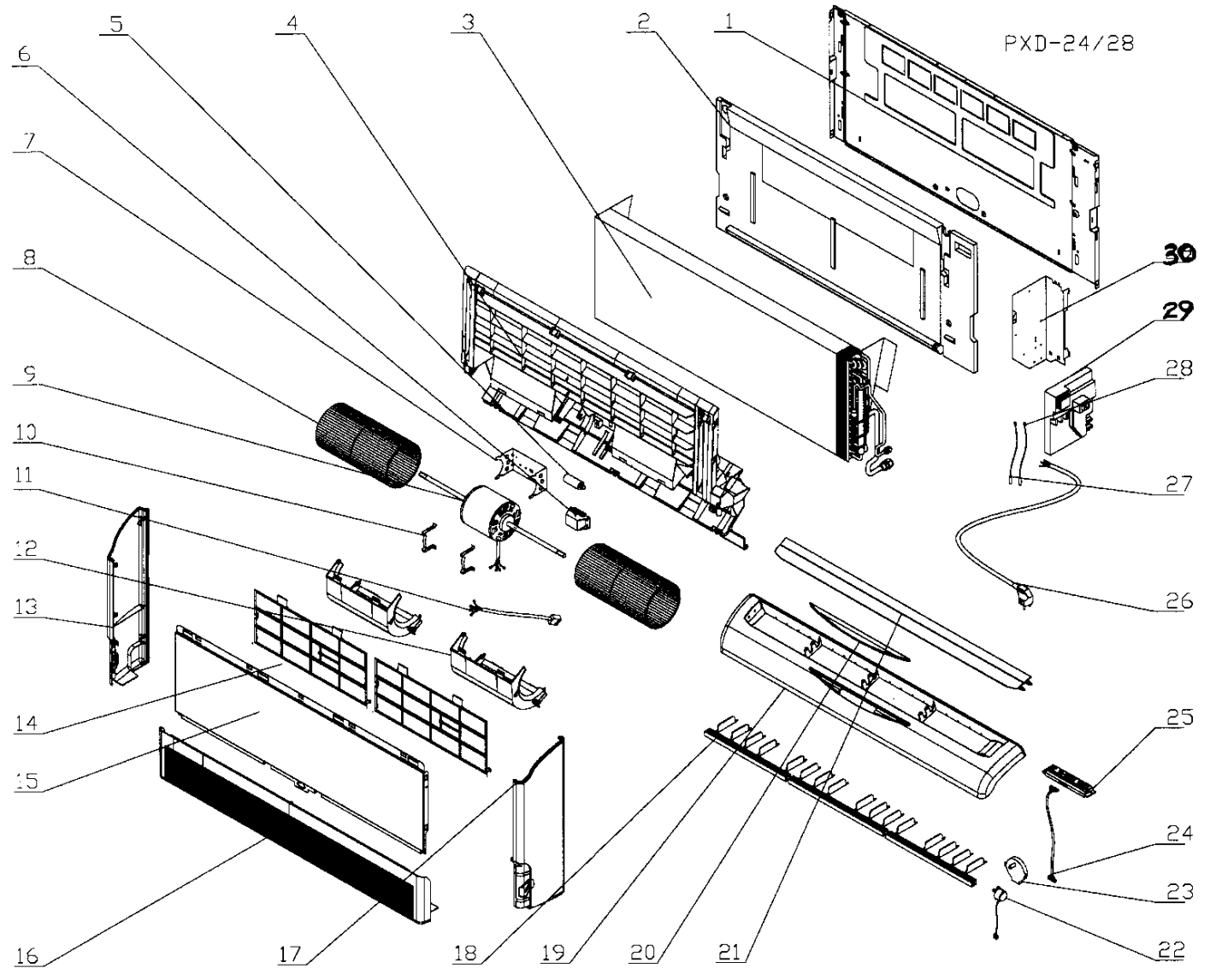
Internal number : 4031

Version : Heat pump

Spare parts list used

| Loc | Spare parts code | Replaced by | Qty | Description | Observation |
|-----|------------------|-------------|-----|---|-------------|
| 13 | C221555 | | 2 | Air filter | |
| 8 | 452987400 | | 1 | Auto-transformer | |
| 28 | 231219 | | 1 | Battery probe length 320mm (black) | |
| 5 | 455000600 | | 1 | Capacitor | |
| 19 | 370281 | | 1 | Discharge frame | |
| 25 | 234213 | | 1 | Display | |
| 20 | 375209-16 | | 1 | Display screen Electra | |
| 29 | 452935900 | | 1 | Electronic card Storm DC | |
| 3 | 452731900 | | 1 | Evaporator | |
| 4 | 373247 | | 1 | Fan frame (condensate tray) | |
| 9 | 4520158 | | 1 | Fan motor | |
| 6 | 323425 | | 1 | Fan motor support | |
| 24 | 391508 | | 1 | Flat display cable lg 1030mm | |
| 14 | C307981 | | 1 | Front panel | |
| 11 | 372341 | | 2 | Half-scroll | |
| 21 | C372338 | | 1 | Horizontal front deflector | |
| 21 | C372339 | | 1 | Horizontal rear deflector | |
| . | 900098 | | 1 | Infrared Remote control (RC4) Electra | |
| 12 | C373245 | | 1 | LH side | |
| 10 | 4521029 | | 2 | Motor clamp | |
| 16 | 4525333 | | 1 | Motor connect wire | |
| 23 | 436665 | | 1 | Motor horizontal deflectors | |
| 22 | 263034 | | 1 | Motor vertical deflectors | |
| 26 | 4521070 | | 1 | Power cord plug | |
| 1 | 307979 | | 1 | Rear panel | |
| 2 | 382334 | | 1 | Rear panel isulation | |
| 17 | C373244 | | 1 | RH side | |
| 27 | 438413 | | 1 | Room temperature probe length 650mm (red) | |
| 30 | 311036 | | 1 | Storm panel | |
| 15 | C484001 | | 1 | Suction grill with filters | |
| 7 | 293321 | | 2 | Turbine D140mm/lg=190mm | |
| 18 | 371257 | | 10 | Vertical deflector link rod | |

PXD-24/28



Brand :Electra Model : PXD 18 DCI / R410

Product Number : ESP012135

Internal number : 4032

Version : Heat pump

Spare parts list used

| Loc | Spare parts code | Replaced by | Qty | Description | Observation |
|-----|------------------|-------------|-----|--|-------------|
| 14 | C221554 | | 2 | Air filter | |
| 6 | 453206900 | | 1 | Auto-transformer | |
| 27 | 231219 | | 1 | Battery probe length 320mm (black) | |
| 5 | 455000604 | | 1 | Capacitor 1.5uF | |
| 19 | 370280 | C370280 | 1 | Discharge frame | |
| 25 | 234213 | | 1 | Display | |
| 20 | 375209-16 | | 1 | Display screen Electra | |
| 29 | 452935900 | | 1 | Electronic card Storm DC | |
| 3 | 4527244 | | 1 | Evaporator | |
| 4 | 373246 | | 1 | Fan frame (condensate tray) | |
| 9 | 4520931 | | 1 | Fan motor | |
| 7 | 323422 | | 1 | Fan motor support | |
| 24 | 391508 | | 1 | Flat display cable lg 1030mm | |
| 15 | C307982 | | 1 | Front panel | |
| 12 | 372340 | | 2 | Half-scroll | |
| 21 | C372336 | | 1 | Horizontal front deflector | |
| 21 | C372337 | | 1 | Horizontal rear deflector | |
| . | 900098 | | 1 | Infrared Remote control (RC4) Electra | |
| 13 | C373245 | | 1 | LH side | |
| 10 | 4521029 | | 2 | Motor clamp | |
| 11 | 4525333 | | 1 | Motor connect wire | |
| 23 | 436665 | | 1 | Motor horizontal deflectors | |
| 22 | 263034 | | 1 | Motor vertical deflectors | |
| 26 | 391726 | | 1 | Power cable 3x2,5 - lg 2100mm without plug | |
| 1 | 307980 | | 1 | Rear panel | |
| 2 | 382333 | | 1 | Rear panel isulation | |
| 17 | C373244 | | 1 | RH side | |
| 28 | 438413 | | 1 | Room temperature probe length 650mm (red) | |
| 30 | 311036 | | 1 | Storm panel | |
| 16 | C484002 | | 1 | Suction grill with filters | |
| 8 | 293322 | | 2 | Turbine lg=240mm | |
| 18 | 371257 | | 16 | Vertical deflector link rod | |