

ESF & Ionizer Kit Installation Instruction


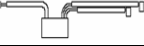
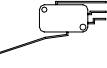



This instruction only describes how to install the ESF and Ionizer kit into the CN/CK indoor unit. Please read this instruction and CN/CK indoor installation manual carefully before starting the installation work.

The installation must be carried out by qualified installer. Make sure the power to the indoor unit is cut off during the installation.

1. Installation Tools

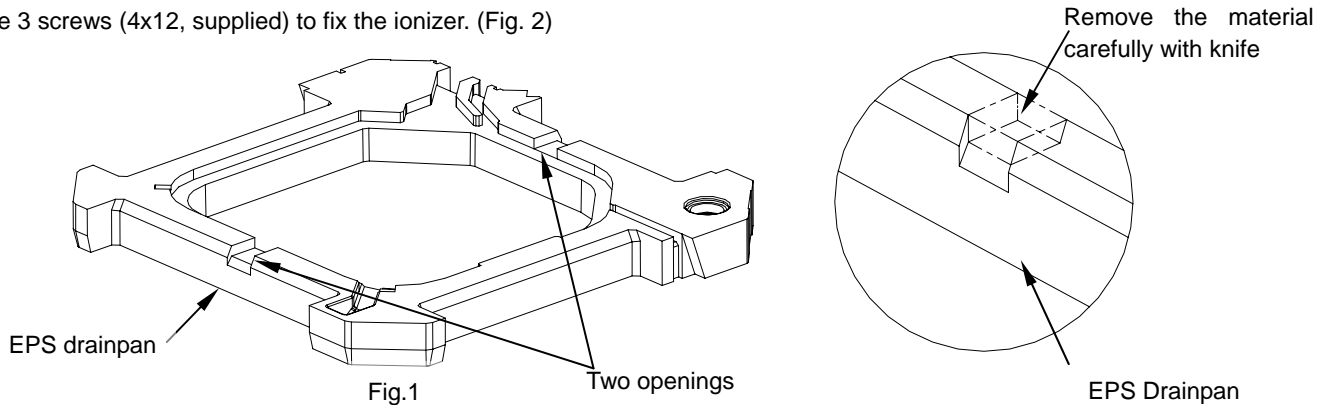
1. Screw driver 2. Knife

2. Accessories

Shape	Name	Qty	Used for
	ESF	1	Electrical static filter assy.
	Ionizer	1	Ionizer assy. With the holders
	Safety switch	1	To control the power for ESF and Ionizer
	Screw (4X12)	5	For ESF and Ionizer installation
	Screw (3X19)	2	For safety switch installation
	Installation instruction	1	Instruction for the kit installation

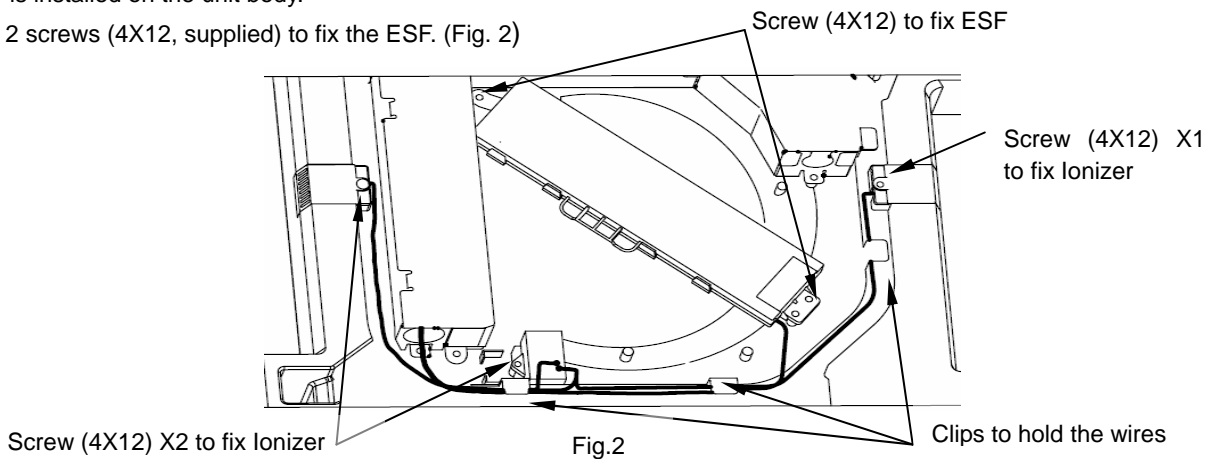
3. Ionizer Installing

- 1) Ionizer is installed on the unit body. Do the work before attaching panel to unit body.
- 2) Using knife to cut two openings on the EPS drainpan as shown in Fig1. The opening location is marked with "ION".
- 3) Use 3 screws (4x12, supplied) to fix the ionizer. (Fig. 2)



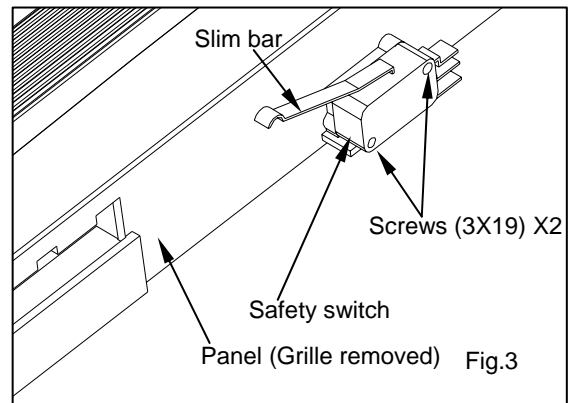
4. ESF installing

- 1) ESF is installed on the unit body.
- 2) Use 2 screws (4X12, supplied) to fix the ESF. (Fig. 2)



5. Safety switch installing

- 1) Safety switch is installed on the panel.
- 2) Remove the suction grille; put the safety switch on the reserved bracket (Located on one side surface of the suction)
- 3) Pay attention that the extended slim bar of the safety switch must be towards outside (Panel surface side).
- 4) Use 2 screws of 3X19 (Supplied) to fix the safety switch. The installing of safety switch is shown in Fig. 3.



6. Wires connection

- 1) Connect the ionizer connector (White) to the main PCB. (Fig.4)
- 2) Connect the ESF connector (Red) to the main PCB. (Fig.4)
- 3) Connect the safety switch to main PCB by using the two wires supplied. (Fig.4)
- 4) Arrange all wires in good routine by using the clips on intake nozzle. (Fig.2)

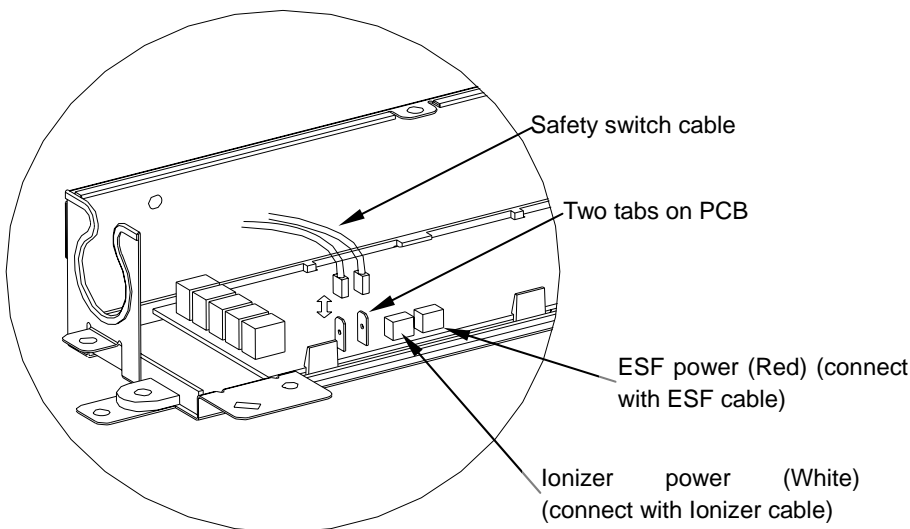
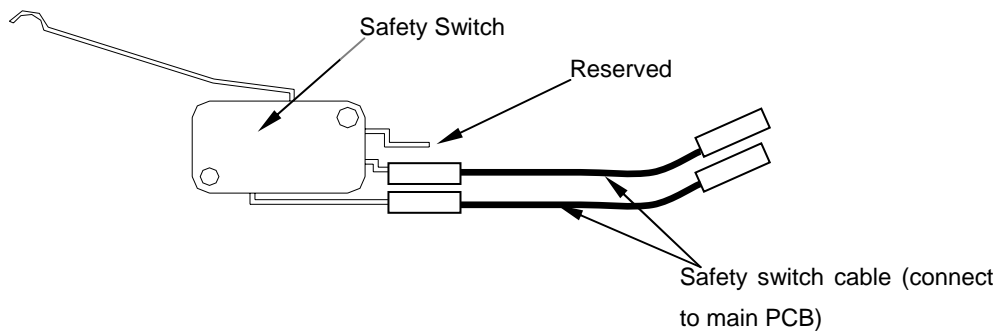



Fig.4

7 Finish the work

Before operating the Ionizer and ESF, the panel grille must be closed. Using the remote control which supports the function can control the Ionizer and ESF. The Ionizer and ESF indicator (marked with symbol ) on displayer will be turned on in Green and shows they are working.

The safety switch installed on panel is to control the power to ESF and Ionizer. If the grille is opened, there is no power to Ionizer and ESF. However, under this situation, do not touch ESF surface and Ionizer poles. For electrical shock caused by high voltage may happen.