

Brand :Airwell Model : MFL 80R-3 / R410

Product Number : 7SP14R012

Internal number : 4607

Version : Heat pump 415/3/50

Spare parts list used

Loc	Spare parts code	Replaced by	Qty	Description	Observation
37	9231796270		2	Check valve	
9	9231709362		1	Check valve ass'y	
42	9231407732		2	Check valve FCV-3020DQ1	
93	9231515383		1	Coil R502AD-TB	
113	9231823884		1	Compressor ass'y C-9RVN273HOU	
97	9231929630		1	Condensate tray ass'y	
101	9231929852		1	Condenser (left)	
100	9231929869		1	Condenser (right)	
87	9231929609		1	Cooler	
86	9231774551		1	Cooler	
91	9231863279		1	Diode DF30AA120	
10	9231838208		1	Electronic pressure reducer UKV-18D39	
49	9231777477		2	Electronic pressure reducer UKV-30D40	
81	9231834538		1	Fan motor GCG21804-T8SA	
20	9231834187		1	Fan protective grill	
103	9231957022		1	Filter board FIL-C1155DXHN8	
52	9231834323		1	Front panel	
6	9380107828		1	Fuse BET6,3A	
5	9231834330		2	Fuse SHV14-20A	
121	9231834828		1	Heating resistor	
109	9231932982		1	Hybrid board HIC-C1155GDXH8	
125	9231929890		1	Liquid accumulator	
124	9231834798		1	Liquid receiver tank	
31	9231811959		1	Liquid valve 3/8"	
23	9231898899		1	Liquid valve ass'y	
90	9231957015		1	Main board (addressing) CR-C1155DXHN8	
25	9231898950		1	Oil separator ass'y	
4	9231956988		1	Pressure switch ACB-1TB39W	
66	9231902145		1	Probe PB2M-41E	
11	9380114345		1	Propeller	
65	9231899049		1	Rear panel	
126	9380183020		1	Relay FC-1SZ607	
71	9231929814		1	Reversing valve coil STF-01AJ512D1	
53	9231812420		1	Reversing valve STF-0401G	

Brand :Airwell Model : MFL 80R-3 / R410

Product Number : 7SP14R012

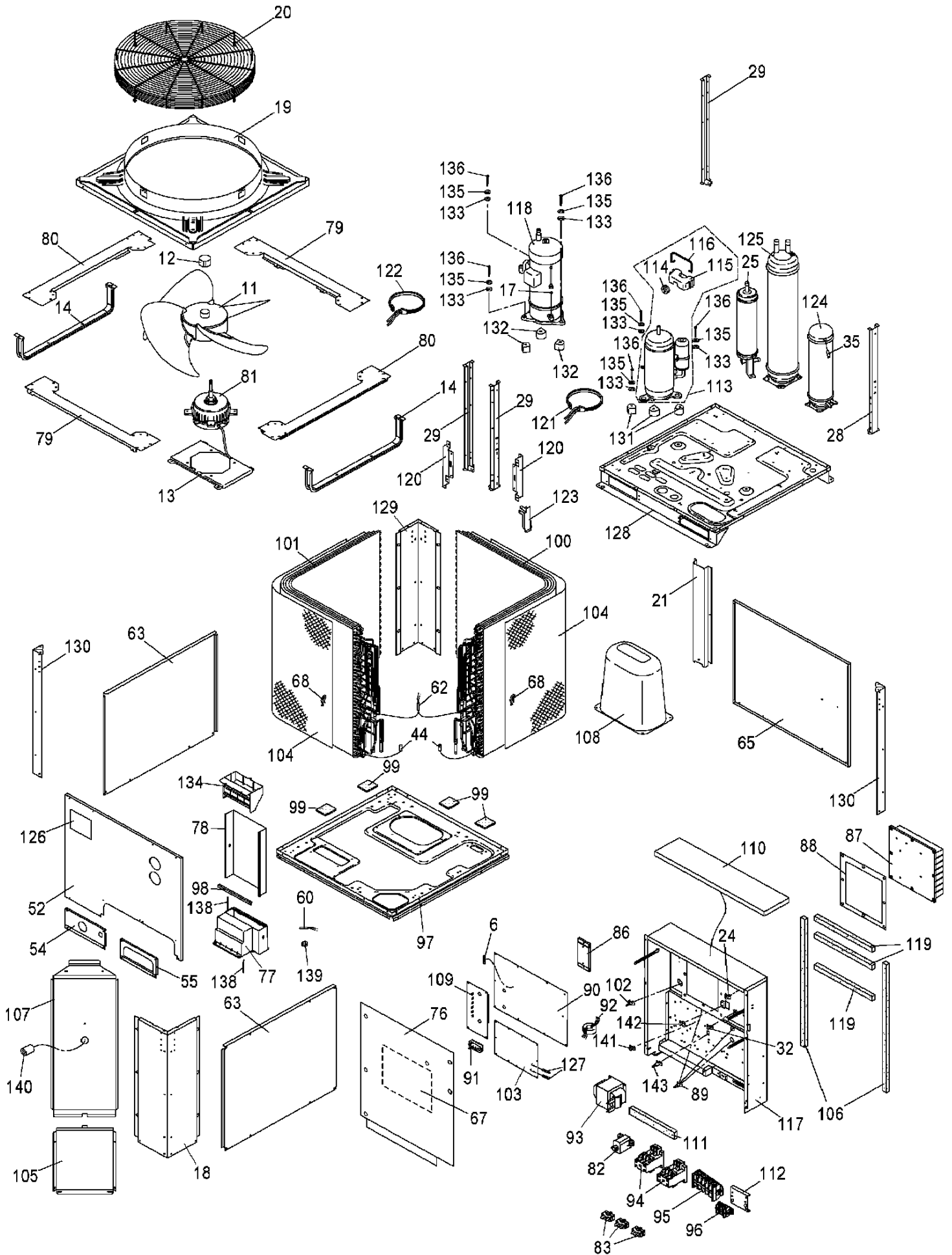
Internal number : 4607

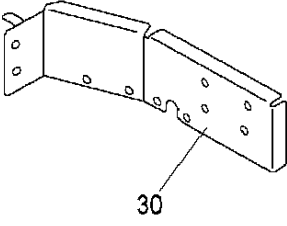
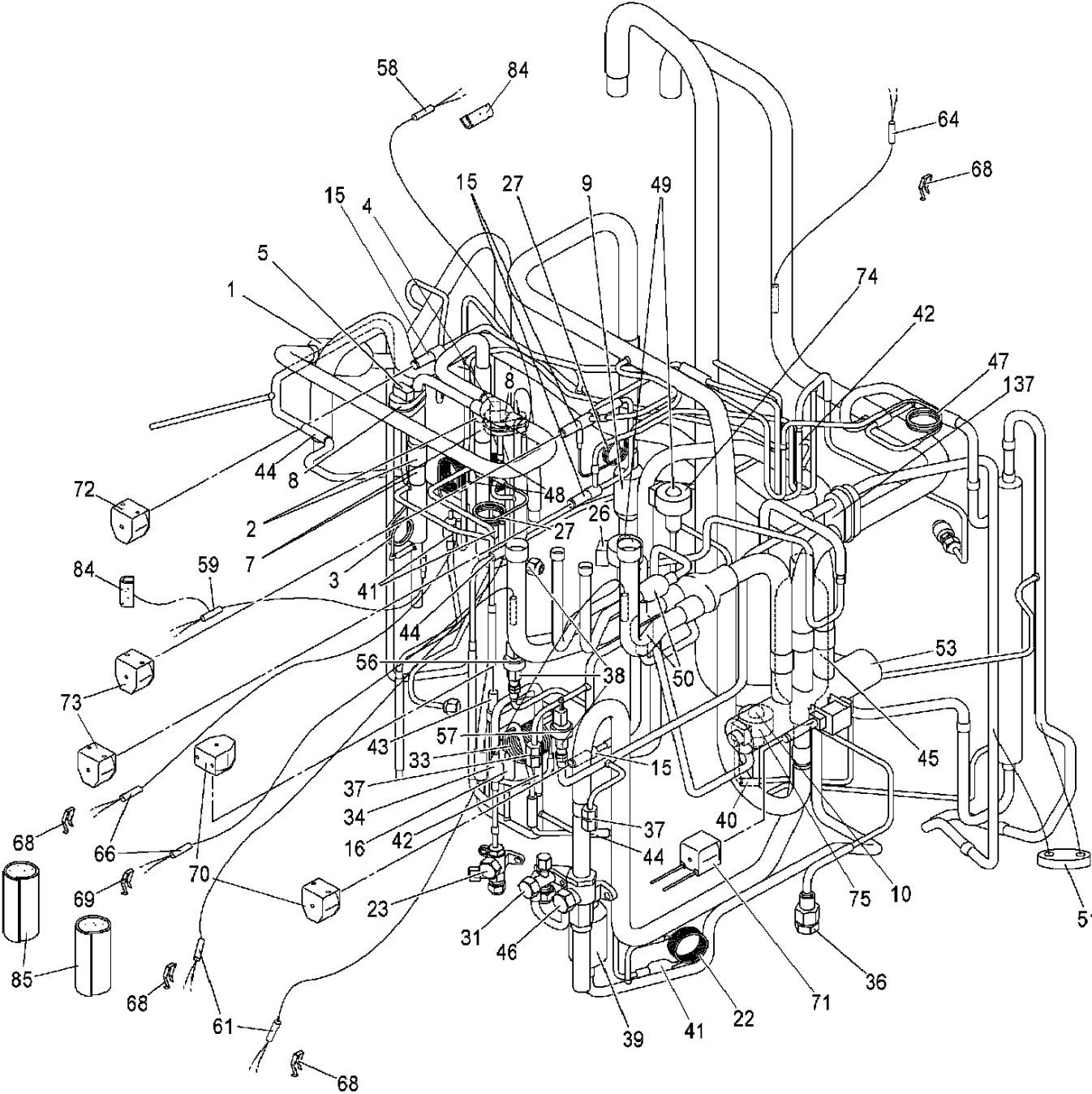
Version : Heat pump 415/3/50

Spare parts list used

Loc	Spare parts code	Replaced by	Qty	Description	Observation
63	9231898998		2	Side panel	
72	9231929722		1	Solenoid valve coil TEV-MOAJ909B1	
73	9231929807		1	Solenoid valve coil TEV-MOAJ909B1	
70	9231929821		1	Solenoid valve coil TEV-MOAJ909B1	
26	9231898943		1	Solenoid valve coil UKV-U031E	
75	9231899094		1	Solenoid valve coil UKV-U038E	
74	9231899100		1	Solenoid valve coil UKV-U049E	
43	9231834279		1	Solenoid valve TEV-1620DQ14	
15	9231834118		4	Solenoid valve TEV-1920D	
95	9380193876		1	Terminal block KT80-5J-SA1842	
96	9380132165		1	Terminal block KTM-4J	
57	9231834415		1	Thermistor NSK-BC035I-083	
64	9231834347		1	Thermistor PB2M-41E	
62	9231834361		1	Thermistor PB2M-41E	
61	9231834378		1	Thermistor PB2M-41E	
60	9231834385		1	Thermistor PBM-41E	
58	9231834408		1	Thermistor PTC-51H	
24	9231793187		1	Thermistor ZPROYCE101A500	
19	9231709560		1	Top panel	
46	9231898981		1	Valve ass'y 3/4	

MFL 100-120R-3





Brand :Airwell Model : MFL 100R-3 / R410

Product Number : 7SP14R013

Internal number : 4606

Version : Heat pump 415/3/50

Spare parts list used

Loc	Spare parts code	Replaced by	Qty	Description	Observation
37	9231796270		2	Check valve	
9	9380064169		1	Check valve	
2	9231709362		2	Check valve ass'y	
42	9231407732		2	Check valve FCV-3020DQ1	
93	9231515383		1	Coil R502AD-TB	
113	9231823884		1	Compressor ass'y C-9RVN273HOU	
118	9231947733		1	Compressor JT160G-KTYE	
97	9231929630		1	Condensate tray ass'y	
101	9231929852		1	Condenser (left)	
100	9231929869		1	Condenser (right)	
86	9231774551		1	Cooler	
87	9231929609		1	Cooler	
91	9231863279		1	Diode DF30AA120	
10	9231838208		1	Electronic pressure reducer UKV-18D39	
49	9231777477		2	Electronic pressure reducer UKV-30D40	
81	9231834538		1	Fan motor GCG21804-T8SA	
20	9231834187		1	Fan protective grill	
103	9231957022		1	Filter board FIL-C1155DXHN8	
52	9231834323		1	Front panel	
6	9380107828		1	Fuse BET6,3A	
127	9231834330		2	Fuse SHV14-20A	
122	9231834811		1	Heating resistor	
121	9231834828		1	Heating resistor	
109	9231932982		1	Hybrid board HIC-C1155GDXH8	
125	9231929890		1	Liquid accumulator	
124	9231834798		1	Liquid receiver tank	
31	9231811959		1	Liquid valve 3/8"	
23	9231898899		1	Liquid valve ass'y	
90	9231957015		1	Main board (addressing) CR-C1155DXHN8	
25	9231898950		1	Oil separator ass'y	
4	9231956988		1	Pressure switch ACB-1TB39W	
5	9231834095		1	Pressure switch ACB-1TB39W	
11	9380114345		1	Propeller	
65	9231899049		1	Rear panel	

Brand :Airwell Model : MFL 100R-3 / R410

Product Number : 7SP14R013

Internal number : 4606

Version : Heat pump 415/3/50

Spare parts list used

Loc	Spare parts code	Replaced by	Qty	Description	Observation
94	9380183020		2	Relay FC-1SZ607	
71	9231929814		1	Reversing valve coil STF-01AJ512D1	
53	9231815223		1	Reversing valve STF-0712G	
63	9231898998		2	Side panel	
73	9231929531		1	Solenoid valve coil TEV-MOAJ909B1	
72	9231929722		1	Solenoid valve coil TEV-MOAJ909B1	
70	9231929821		1	Solenoid valve coil TEV-MOAJ909B1	
26	9231898943		1	Solenoid valve coil UKV-U031E	
75	9231899094		1	Solenoid valve coil UKV-U038E	
74	9231899100		1	Solenoid valve coil UKV-U049E	
43	9231834279		1	Solenoid valve TEV-1620DQ14	
15	9231834118		4	Solenoid valve TEV-1920D	
95	9380193876		1	Terminal block KT80-5J-SA1842	
96	9380132165		1	Terminal block KTM-4J	
56	9231834286		1	Thermistor NSK-BC035I-082	
57	9231834415		1	Thermistor NSK-BC035I-083	
61	9231834378		1	Thermistor PB2M-41E	
62	9231834361		1	Thermistor PB2M-41E	
64	9231834347		1	Thermistor PB2M-41E	
66	9231834453		1	Thermistor PB2M-41E	
60	9231834385		1	Thermistor PBM-41E	
59	9231834392		1	Thermistor PTC-51H	
58	9231834408		1	Thermistor PTC-51H	
82	9231793187		1	Thermistor ZPROYCE101A500	
19	9231709560		1	Top panel	
92	9231834545		1	Transformer CL-9	
46	9231898981		1	Valve ass'y 3/4	

Brand :Airwell Model : MFL 120R-3 / R410

Product Number : 7SP14R014

Internal number : 4605

Version : Heat pump 415/3/50

Spare parts list used

Loc	Spare parts code	Replaced by	Qty	Description	Observation
37	9231796270		2	Check valve	
9	9380064169		1	Check valve	
2	9231709362		2	Check valve ass'y	
42	9231407732		2	Check valve FCV-3020DQ1	
93	9231515383		1	Coil R502AD-TB	
113	9231823884		1	Compressor ass'y C-9RVN273HOU	
118	9231947719		1	Compressor ass'y JT170G-KTYE	
97	9231929630		1	Condensate tray ass'y	
101	9231929852		1	Condenser (left)	
100	9231929869		1	Condenser (right)	
86	9231774551		1	Cooler	
87	9231929609		1	Cooler	
91	9231863279		1	Diode DF30AA120	
31	9231899353		1	Discharge valve ass'y 1/2	
10	9231838208		1	Electronic pressure reducer UKV-18D39	
49	9231777477		2	Electronic pressure reducer UKV-30D40	
81	9231834538		1	Fan motor GCG21804-T8SA	
20	9231834187		1	Fan protective grill	
103	9231957022		1	Filter board FIL-C1155DXHN8	
52	9231834323		1	Front panel	
6	9380107828		1	Fuse BET6,3A	
127	9231834330		2	Fuse SHV14-20A	
121	9231834828		1	Heating resistor	
122	9231834811		1	Heating resistor	
109	9231932982		1	Hybrid board HIC-C1155GDXH8	
125	9231929890		1	Liquid accumulator	
124	9231834798		1	Liquid receiver tank	
23	9231898899		1	Liquid valve ass'y	
90	9231957015		1	Main board (addressing) CR-C1155DXHN8	
25	9231898950		1	Oil separator ass'y	
4	9231956988		1	Pressure switch ACB-1TB39W	
5	9231834095		1	Pressure switch ACB-1TB39W	
11	9380114345		1	Propeller	
65	9231899049		1	Rear panel	

Brand :Airwell Model : MFL 120R-3 / R410

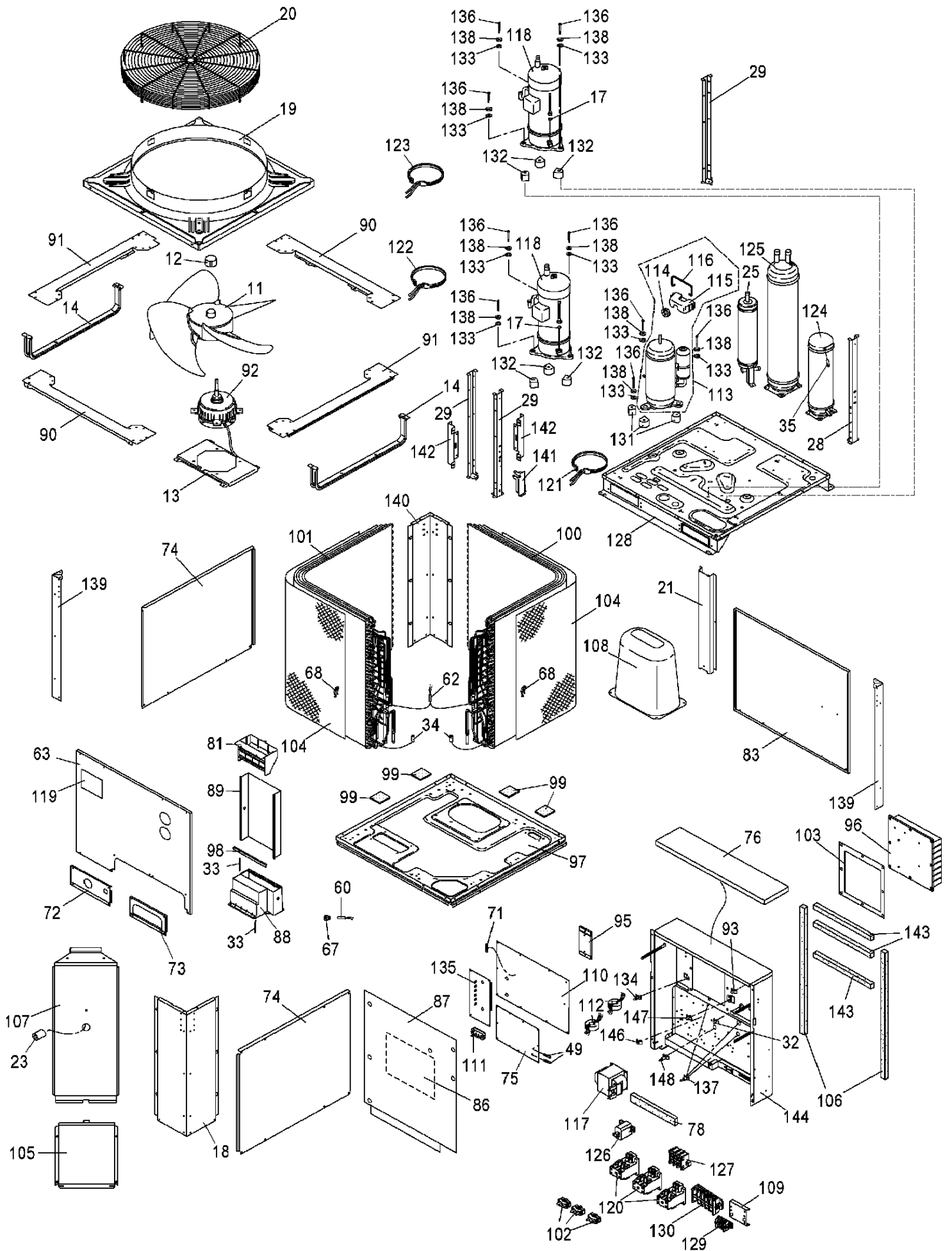
Product Number : 7SP14R014

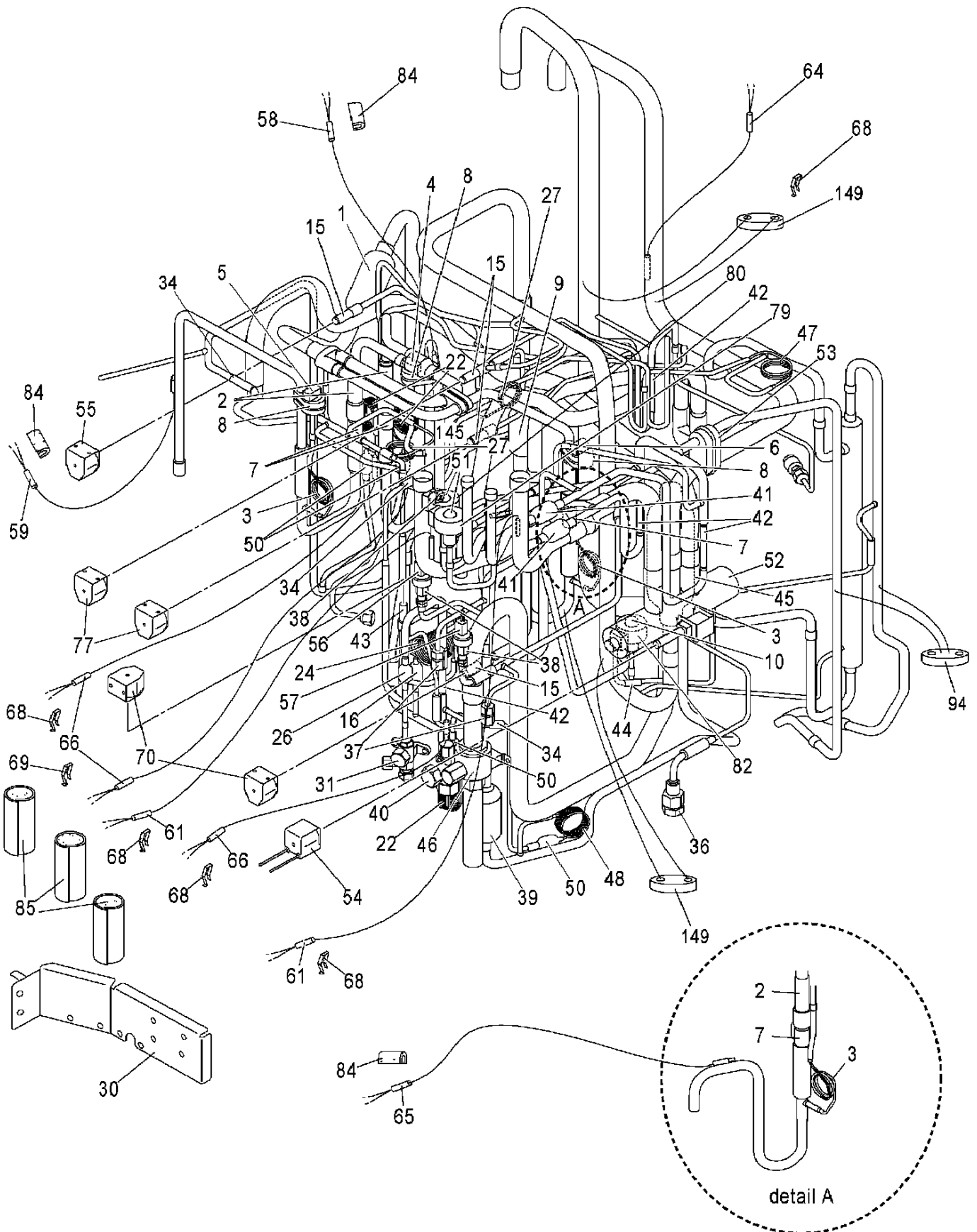
Internal number : 4605

Version : Heat pump 415/3/50

Spare parts list used

Loc	Spare parts code	Replaced by	Qty	Description	Observation
94	9380183020		2	Relay FC-1SZ607	
71	9231929814		1	Reversing valve coil STF-01AJ512D1	
53	9231815223		1	Reversing valve STF-0712G	
63	9231898998		2	Side panel	
70	9231929821		1	Solenoid valve coil TEV-MOAJ909B1	
72	9231929722		1	Solenoid valve coil TEV-MOAJ909B1	
73	9231929531		1	Solenoid valve coil TEV-MOAJ909B1	
26	9231898943		1	Solenoid valve coil UKV-U031E	
75	9231899094		1	Solenoid valve coil UKV-U038E	
74	9231899100		1	Solenoid valve coil UKV-U049E	
43	9231834279		1	Solenoid valve TEV-1620DQ14	
15	9231834118		4	Solenoid valve TEV-1920D	
95	9380193876		1	Terminal block KT80-5J-SA1842	
96	9380132165		1	Terminal block KTM-4J	
56	9231834286		1	Thermistor NSK-BC035I-082	
57	9231834415		1	Thermistor NSK-BC035I-083	
62	9231834361		1	Thermistor PB2M-41E	
61	9231834378		1	Thermistor PB2M-41E	
66	9231834453		1	Thermistor PB2M-41E	
64	9231834347		1	Thermistor PB2M-41E	
60	9231834385		1	Thermistor PBM-41E	
59	9231834392		1	Thermistor PTC-51H	
58	9231834408		1	Thermistor PTC-51H	
82	9231793187		1	Thermistor ZPROYCE101A500	
19	9231709560		1	Top panel	
92	9231834545		1	Transformer CL-9	
46	9231898981		1	Valve ass'y 3/4	





Brand :Airwell Model : MFL 140R-3 / R410

Product Number : 7SP14R029

Internal number : 4604

Version : Heat pump 415/3/50

Spare parts list used

Loc	Spare parts code	Replaced by	Qty	Description	Observation
9	9380064169		1	Check valve	
37	9231796270		2	Check valve	
2	9231709362		3	Check valve ass'y	
42	9231407732		4	Check valve FCV-3020DQ1	
117	9231515383		1	Coil R502AD-TB	
113	9231823884		1	Compressor ass'y C-9RVN273HOU	
118	9231947733		2	Compressor JT160G-KTYE	
97	9231929630		1	Condensate tray ass'y	
101	9231929852		1	Condenser (left)	
100	9231929869		1	Condenser (right)	
95	9231774551		1	Cooler	
96	9231929609		1	Cooler	
111	9231863279		1	Diode DF30AA120	
40	9231899353		1	Discharge valve ass'y 1/2	
10	9231838208		1	Electronic pressure reducer UKV-18D39	
92	9231834538		1	Fan motor GCG21804-T8SA	
20	9231834187		1	Fan protective grill	
75	9231957022		1	Filter board FIL-C1155DXHN8	
63	9231834323		1	Front panel	
71	9380107828		1	Fuse BET6,3A	
49	9231834330		2	Fuse SHV14-20A	
46	9231838222		1	Gas valve ass'y	
121	9231834828		1	Heating resistor	
122	9231834811		1	Heating resistor	
123	9231838383		1	Heating resistor	
135	9231932982		1	Hybrid board HIC-C1155GDXH8	
125	9231929890		1	Liquid accumulator	
124	9231834798		1	Liquid receiver tank	
31	9231898899		1	Liquid valve ass'y	
110	9231957015		1	Main board (addressing) CR-C1155DXHN8	
25	9231898950		1	Oil separator ass'y	
51	9231838239		2	Pressure reducer UKV-32D41	
4	9231956988		1	Pressure switch ACB-1TB39W	
6	9231838192		1	Pressure switch ACB-1TB39W	

Brand :Airwell Model : MFL 140R-3 / R410

Product Number : 7SP14R029

Internal number : 4604

Version : Heat pump 415/3/50

Spare parts list used

Loc	Spare parts code	Replaced by	Qty	Description	Observation
5	9231834095		1	Pressure switch ACB-1TB39W	
11	9380114345		1	Propeller	
83	9231899049		1	Rear panel	
120	9380183020		3	Relay FC-1SZ607	
54	9231929814		1	Reversing valve coil STF-01AJ512D1	
52	9231815223		1	Reversing valve STF-0712G	
74	9231898998		2	Side panel	
70	9231929821		1	Solenoid valve coil TEV-MOAJ909B1	
77	9231929807		1	Solenoid valve coil TEV-MOAJ909B1	
55	9231929722		1	Solenoid valve coil TEV-MOAJ909B1	
79	9231898943		1	Solenoid valve coil UKV-U031E	
82	9231899094		1	Solenoid valve coil UKV-U038E	
80	9231899100		1	Solenoid valve coil UKV-U049E	
43	9231834279		1	Solenoid valve TEV-1620DQ14	
15	9231834118		4	Solenoid valve TEV-1920D	
130	9380193876		1	Terminal block KT80-5J-SA1842	
129	9380132165		1	Terminal block KTM-4J	
127	9380202240		1	Terminal block UKT50-3J(A)	
56	9231834286		1	Thermistor NSK-BC035I-082	
57	9231834415		1	Thermistor NSK-BC035I-083	
61	9231834378		1	Thermistor PB2M-41E	
62	9231834361		1	Thermistor PB2M-41E	
64	9231834347		1	Thermistor PB2M-41E	
66	9231838277		1	Thermistor PB2M-41E	
60	9231834385		1	Thermistor PBM-41E	
58	9231834408		1	Thermistor PTC-51H	
59	9231834392		1	Thermistor PTC-51H	
65	9231838284		1	Thermistor PTC-51H	
126	9231793187		1	Thermistor ZPROYCE101A500	
19	9231709560		1	Top panel	
112	9231838345		1	Transformer CL-9	

Brand :Airwell Model : MFL 160R-3 / R410

Product Number : 7SP14R030

Internal number : 4603

Version : Heat pump 415/3/50

Spare parts list used

Loc	Spare parts code	Replaced by	Qty	Description	Observation
9	9380064169		1	Check valve	
37	9231796270		2	Check valve	
2	9231709362		3	Check valve ass'y	
42	9231407732		4	Check valve FCV-3020DQ1	
117	9231515383		1	Coil R502AD-TB	
113	9231823884		1	Compressor ass'y C-9RVN273HOU	
118	9231947719		2	Compressor ass'y JT170G-KTYE	
97	9231929630		1	Condensate tray ass'y	
101	9231929852		1	Condenser (left)	
100	9231929869		1	Condenser (right)	
95	9231774551		1	Cooler	
96	9231929609		1	Cooler	
111	9231863279		1	Diode DF30AA120	
40	9231899353		1	Discharge valve ass'y 1/2	
10	9231838208		1	Electronic pressure reducer UKV-18D39	
92	9231834538		1	Fan motor GCG21804-T8SA	
20	9231834187		1	Fan protective grill	
75	9231957022		1	Filter board FIL-C1155DXHN8	
63	9231834323		1	Front panel	
71	9380107828		1	Fuse BET6,3A	
49	9231834330		2	Fuse SHV14-20A	
46	9231838222		1	Gas valve ass'y	
121	9231834828		1	Heating resistor	
122	9231834811		1	Heating resistor	
123	9231838383		1	Heating resistor	
135	9231932982		1	Hybrid board HIC-C1155GDXH8	
125	9231929890		1	Liquid accumulator	
124	9231834798		1	Liquid receiver tank	
31	9231898899		1	Liquid valve ass'y	
110	9231957015		1	Main board (addressing) CR-C1155DXHN8	
25	9231898950		1	Oil separator ass'y	
51	9231838239		2	Pressure reducer UKV-32D41	
4	9231956988		1	Pressure switch ACB-1TB39W	
6	9231838192		1	Pressure switch ACB-1TB39W	

Brand :Airwell Model : MFL 160R-3 / R410

Product Number : 7SP14R030

Internal number : 4603

Version : Heat pump 415/3/50

Spare parts list used

Loc	Spare parts code	Replaced by	Qty	Description	Observation
5	9231834095		1	Pressure switch ACB-1TB39W	
11	9380114345		1	Propeller	
83	9231899049		1	Rear panel	
120	9380183020		3	Relay FC-1SZ607	
54	9231929814		1	Reversing valve coil STF-01AJ512D1	
52	9231815223		1	Reversing valve STF-0712G	
74	9231898998		2	Side panel	
70	9231929821		1	Solenoid valve coil TEV-MOAJ909B1	
77	9231929807		1	Solenoid valve coil TEV-MOAJ909B1	
55	9231929722		1	Solenoid valve coil TEV-MOAJ909B1	
79	9231898943		1	Solenoid valve coil UKV-U031E	
82	9231899094		1	Solenoid valve coil UKV-U038E	
80	9231899100		1	Solenoid valve coil UKV-U049E	
43	9231834279		1	Solenoid valve TEV-1620DQ14	
15	9231834118		4	Solenoid valve TEV-1920D	
130	9380193876		1	Terminal block KT80-5J-SA1842	
129	9380132165		1	Terminal block KTM-4J	
127	9380202240		1	Terminal block UKT50-3J(A)	
56	9231834286		1	Thermistor NSK-BC035I-082	
57	9231834415		1	Thermistor NSK-BC035I-083	
61	9231834378		1	Thermistor PB2M-41E	
62	9231834361		1	Thermistor PB2M-41E	
64	9231834347		1	Thermistor PB2M-41E	
66	9231838277		1	Thermistor PB2M-41E	
60	9231834385		1	Thermistor PBM-41E	
58	9231834408		1	Thermistor PTC-51H	
59	9231834392		1	Thermistor PTC-51H	
65	9231838284		1	Thermistor PTC-51H	
126	9231793187		1	Thermistor ZPROYCE101A500	
19	9231709560		1	Top panel	
112	9231838345		1	Transformer CL-9	