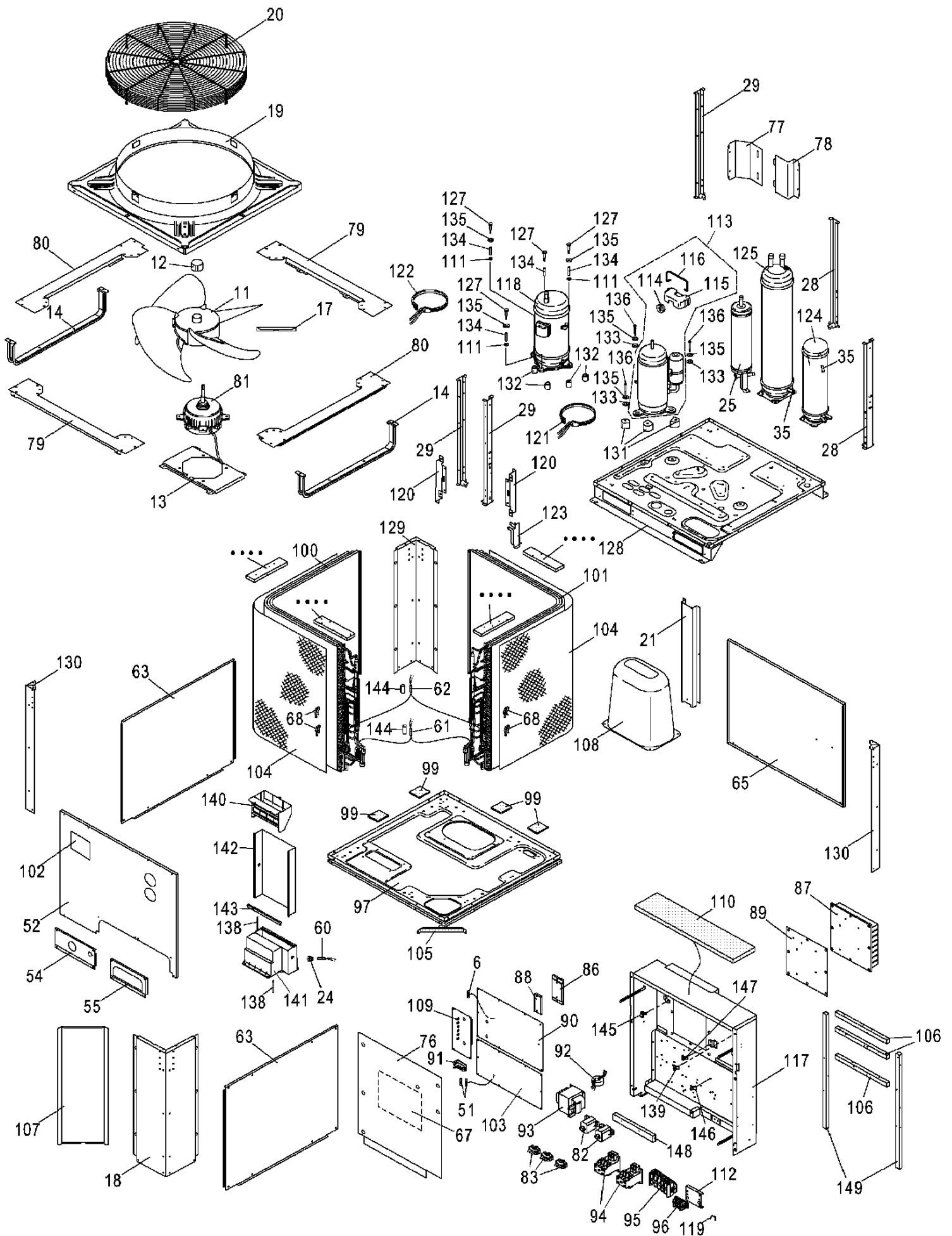
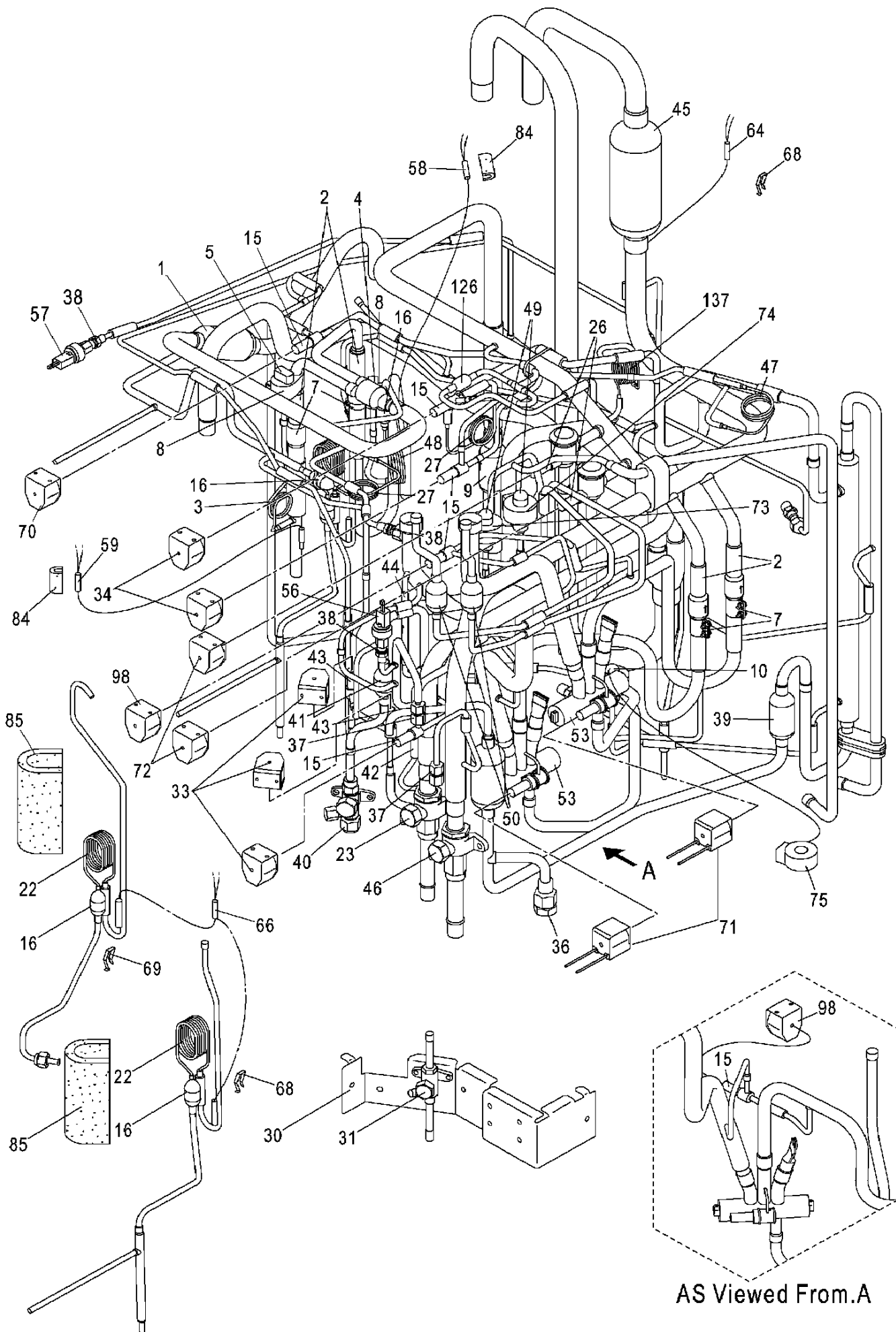


EFL 80 et 100-3R





Brand :Airwell Model : EFL 80-3R / R410

Product Number : 7SP14R018

Internal number : 4612

Version : Heat pump 415/3/50

Spare parts list used

Loc	Spare parts code	Replaced by	Qty	Description	Observation
46	9231774575		1	3/4 valve ass'y	
40	9231774506		1	3/8 valve ass'y	
31	9231774513		1	3/8 valve ass'y	"Oil balancing"
23	9231834156		1	5/8 valve ass'y	
42	9380040729		1	Check valve	
44	9231721067		1	Check valve	
37	9231796270		2	Check valve	
9	9380064169		1	Check valve	
2	9231709362		4	Check valve ass'y	
93	9231515383		1	Coil R502AD-TB	
113	9231823884		1	Compressor ass'y C-9RVN273HOU	
118	9231844667		1	Compressor ass'y E505DH-49D2Y	
97	9231929630		1	Condensate tray ass'y	
100	9231834606		1	Condenser (left)	
101	9231834590		1	Condenser (right)	
90	9231846166		1	Control elect. board CR-CR1154GDZH8 (addressing)	
86	9231774551		1	Cooler	
87	9231929609		1	Cooler	
91	9231863279		1	Diode DF30AA120	
10	9231838208		1	Electronic pressure reducer UKV-18D39	
49	9231777477		2	Electronic pressure reducer UKV-30D40	
81	9231834538		1	Fan motor GCG21804-T8SA	
20	9231834187		1	Fan protective grill	
103	9231846159		1	Filter electronic board FIL-CR1154GDZH8	
6	9380107828		1	Fuse BET6,3A	
51	9231834330		2	Fuse SHV14-20A	
122	9231834811		1	Heating resistor	
121	9231834828		1	Heating resistor	
109	9231932982		1	Hybrid board HIC-C1155GDXH8	
125	9231929661		1	Liquid accumulator ass'y	
124	9231834798		1	Liquid receiver tank	
25	9380193616		1	Oil separator ass'y	
5	9231834095		1	Pressure switch ACB-1TB39W	
4	9231834101		1	Pressure switch ACB-1TB39W	

Brand :Airwell Model : EFL 80-3R / R410

Product Number : 7SP14R018

Internal number : 4612

Version : Heat pump 415/3/50

Spare parts list used

Loc	Spare parts code	Replaced by	Qty	Description	Observation
11	9380114345		1	Propeller	
94	9380183020		2	Relay FC-1SZ607	
71	9231929579		1	Reversing valve coil STF-01AJ512D1	
53	9231834316		2	Reversing valve STF-0301G	
72	9231929562		1	Solenoid valve coil NEV-MOAJ544B1	
34	9231929531		1	Solenoid valve coil TEV-MOAJ909B1	
98	9231929623		1	Solenoid valve coil TEV-MOAJ909B1	
70	9231929586		1	Solenoid valve coil TEV-MOAJ909B1	
33	9231929548		1	Solenoid valve coil TEV-MOAJ909B1	
73	9231898943		1	Solenoid valve coil UKV-U031E	
75	9231899094		1	Solenoid valve coil UKV-U038E	
74	9231899100		1	Solenoid valve coil UKV-U049E	
26	9230653260		2	Solenoid valve NEV1204DXF	
43	9231834279		2	Solenoid valve TEV-1620DQ14	
15	9231834118		6	Solenoid valve TEV-1920D	
95	9380193876		1	Terminal block KT80-5J-SA1842	
96	9380132165		1	Terminal block KTM-4J	
56	9231834286		1	Thermistor NSK-BC035I-082	
57	9231834415		1	Thermistor NSK-BC035I-083	
64	9231834347		1	Thermistor PB2M-41E	
61	9231834378		1	Thermistor PB2M-41E	
66	9231834453		1	Thermistor PB2M-41E	
62	9231834361		1	Thermistor PB2M-41E	
60	9231834385		1	Thermistor PBM-41E	
58	9231834408		1	Thermistor PTC-51H	
59	9231834392		1	Thermistor PTC-51H	
82	9231793187		2	Thermistor ZPROYCE101A500	
19	9231709560		1	Top panel	
92	9231834545		1	Transformer CL-9	

Brand :Airwell Model : EFL 100-3R / R410

Product Number : 7SP14R019

Internal number : 4611

Version : Heat pump 415/3/50

Spare parts list used

Loc	Spare parts code	Replaced by	Qty	Description	Observation
46	9231774575		1	3/4 valve ass'y	
40	9231774506		1	3/8 valve ass'y	
31	9231774513		1	3/8 valve ass'y	"Oil balancing"
23	9231834156		1	5/8 valve ass'y	
42	9380040729		1	Check valve	
44	9231721067		1	Check valve	
37	9231796270		2	Check valve	
9	9380064169		1	Check valve	
2	9231709362		4	Check valve ass'y	
93	9231515383		1	Coil R502AD-TB	
113	9231823884		1	Compressor ass'y C-9RVN273HOU	
118	9231846180		1	Compressor ass'y E655DH-65D2Y	
97	9231929630		1	Condensate tray ass'y	
100	9231834606		1	Condenser (left)	
101	9231834590		1	Condenser (right)	
90	9231846166		1	Control elect. board CR-CR1154GDZH8 (addressing)	
86	9231774551		1	Cooler	
87	9231929609		1	Cooler	
91	9231863279		1	Diode DF30AA120	
10	9231838208		1	Electronic pressure reducer UKV-18D39	
49	9231777477		2	Electronic pressure reducer UKV-30D40	
81	9231834538		1	Fan motor GCG21804-T8SA	
20	9231834187		1	Fan protective grill	
103	9231846159		1	Filter electronic board FIL-CR1154GDZH8	
6	9380107828		1	Fuse BET6,3A	
51	9231834330		2	Fuse SHV14-20A	
122	9231834811		1	Heating resistor	
121	9231834828		1	Heating resistor	
109	9231932982		1	Hybrid board HIC-C1155GDXH8	
125	9231929661		1	Liquid accumulator ass'y	
124	9231834798		1	Liquid receiver tank	
25	9380193616		1	Oil separator ass'y	
5	9231834095		1	Pressure switch ACB-1TB39W	
4	9231834101		1	Pressure switch ACB-1TB39W	

Brand :Airwell Model : EFL 100-3R / R410

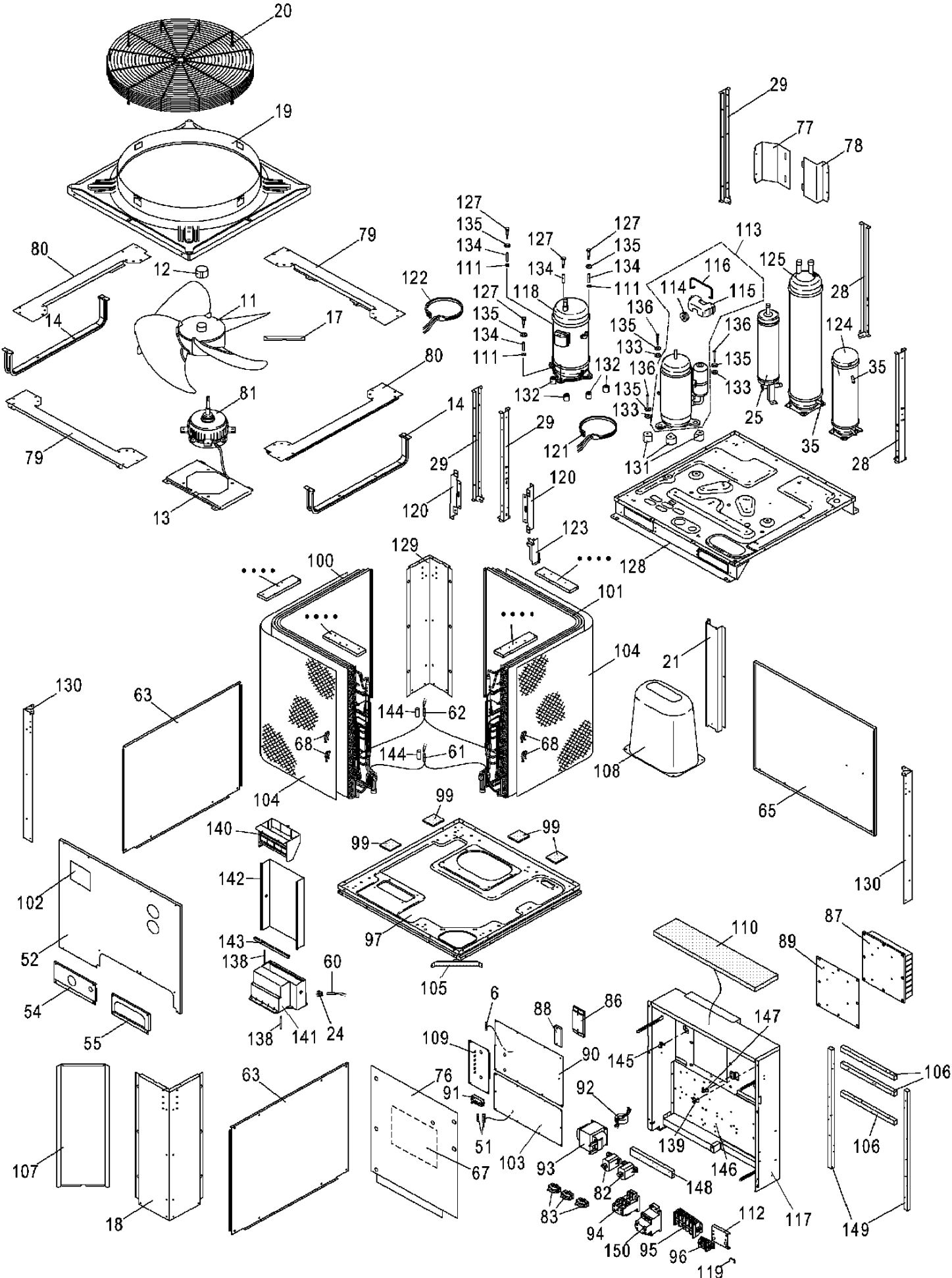
Product Number : 7SP14R019

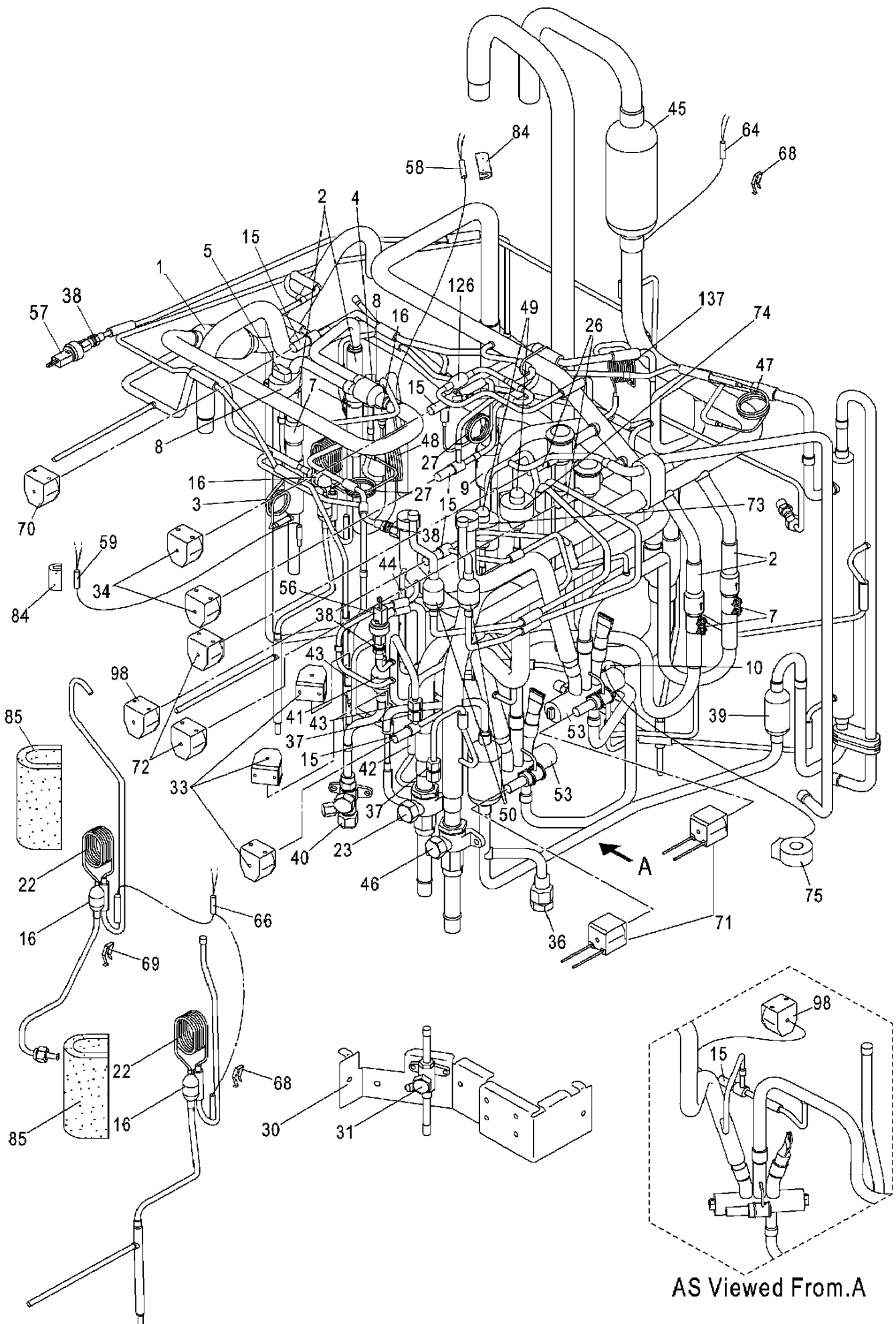
Internal number : 4611

Version : Heat pump 415/3/50

Spare parts list used

Loc	Spare parts code	Replaced by	Qty	Description	Observation
11	9380114345		1	Propeller	
94	9380183020		2	Relay FC-1SZ607	
71	9231929579		1	Reversing valve coil STF-01AJ512D1	
53	9231834316		2	Reversing valve STF-0301G	
72	9231929562		1	Solenoid valve coil NEV-MOAJ544B1	
34	9231929531		1	Solenoid valve coil TEV-MOAJ909B1	
98	9231929623		1	Solenoid valve coil TEV-MOAJ909B1	
70	9231929586		1	Solenoid valve coil TEV-MOAJ909B1	
33	9231929548		1	Solenoid valve coil TEV-MOAJ909B1	
73	9231898943		1	Solenoid valve coil UKV-U031E	
75	9231899094		1	Solenoid valve coil UKV-U038E	
74	9231899100		1	Solenoid valve coil UKV-U049E	
26	9230653260		2	Solenoid valve NEV1204DXF	
43	9231834279		2	Solenoid valve TEV-1620DQ14	
15	9231834118		6	Solenoid valve TEV-1920D	
95	9380193876		1	Terminal block KT80-5J-SA1842	
96	9380132165		1	Terminal block KTM-4J	
56	9231834286		1	Thermistor NSK-BC035I-082	
57	9231834415		1	Thermistor NSK-BC035I-083	
64	9231834347		1	Thermistor PB2M-41E	
61	9231834378		1	Thermistor PB2M-41E	
66	9231834453		1	Thermistor PB2M-41E	
62	9231834361		1	Thermistor PB2M-41E	
60	9231834385		1	Thermistor PBM-41E	
58	9231834408		1	Thermistor PTC-51H	
59	9231834392		1	Thermistor PTC-51H	
82	9231793187		2	Thermistor ZPROYCE101A500	
19	9231709560		1	Top panel	
92	9231834545		1	Transformer CL-9	





Brand :Airwell Model : EFL 120-3R / R410

Product Number : 7SP14R020

Internal number : 4610

Version : Heat pump 415/3/50

Spare parts list used

Loc	Spare parts code	Replaced by	Qty	Description	Observation
46	9231774575		1	3/4 valve ass'y	
40	9231774506		1	3/8 valve ass'y	
31	9231774513		1	3/8 valve ass'y	"Oil balancing"
23	9231834156		1	5/8 valve ass'y	
42	9380040729		1	Check valve	
44	9231721067		1	Check valve	
37	9231796270		2	Check valve	
9	9380064169		1	Check valve	
2	9231709362		4	Check valve ass'y	
93	9231515383		1	Coil R502AD-TB	
113	9231823884		1	Compressor ass'y C-9RVN273HOU	
118	9231846180		1	Compressor ass'y E655DH-65D2Y	
97	9231929630		1	Condensate tray ass'y	
100	9231834606		1	Condenser (left)	
101	9231834590		1	Condenser (right)	
90	9231846166		1	Control elect. board CR-CR1154GDZH8 (addressing)	
86	9231774551		1	Cooler	
87	9231929609		1	Cooler	
91	9231863279		1	Diode DF30AA120	
103	9231838208		1	Electronic pressure reducer UKV-18D39	
49	9231777477		2	Electronic pressure reducer UKV-30D40	
81	9231834538		1	Fan motor GCG21804-T8SA	
20	9231834187		1	Fan protective grill	
10	9231846159		1	Filter electronic board FIL-CR1154GDZH8	
6	9380107828		1	Fuse BET6,3A	
51	9231834330		2	Fuse SHV14-20A	
122	9231834811		1	Heating resistor	
121	9231834828		1	Heating resistor	
109	9231932982		1	Hybrid board HIC-C1155GDXH8	
125	9231929661		1	Liquid accumulator ass'y	
124	9231834798		1	Liquid receiver tank	
25	9380193616		1	Oil separator ass'y	
5	9231834095		1	Pressure switch ACB-1TB39W	
4	9231834101		1	Pressure switch ACB-1TB39W	

Brand :Airwell Model : EFL 120-3R / R410

Product Number : 7SP14R020

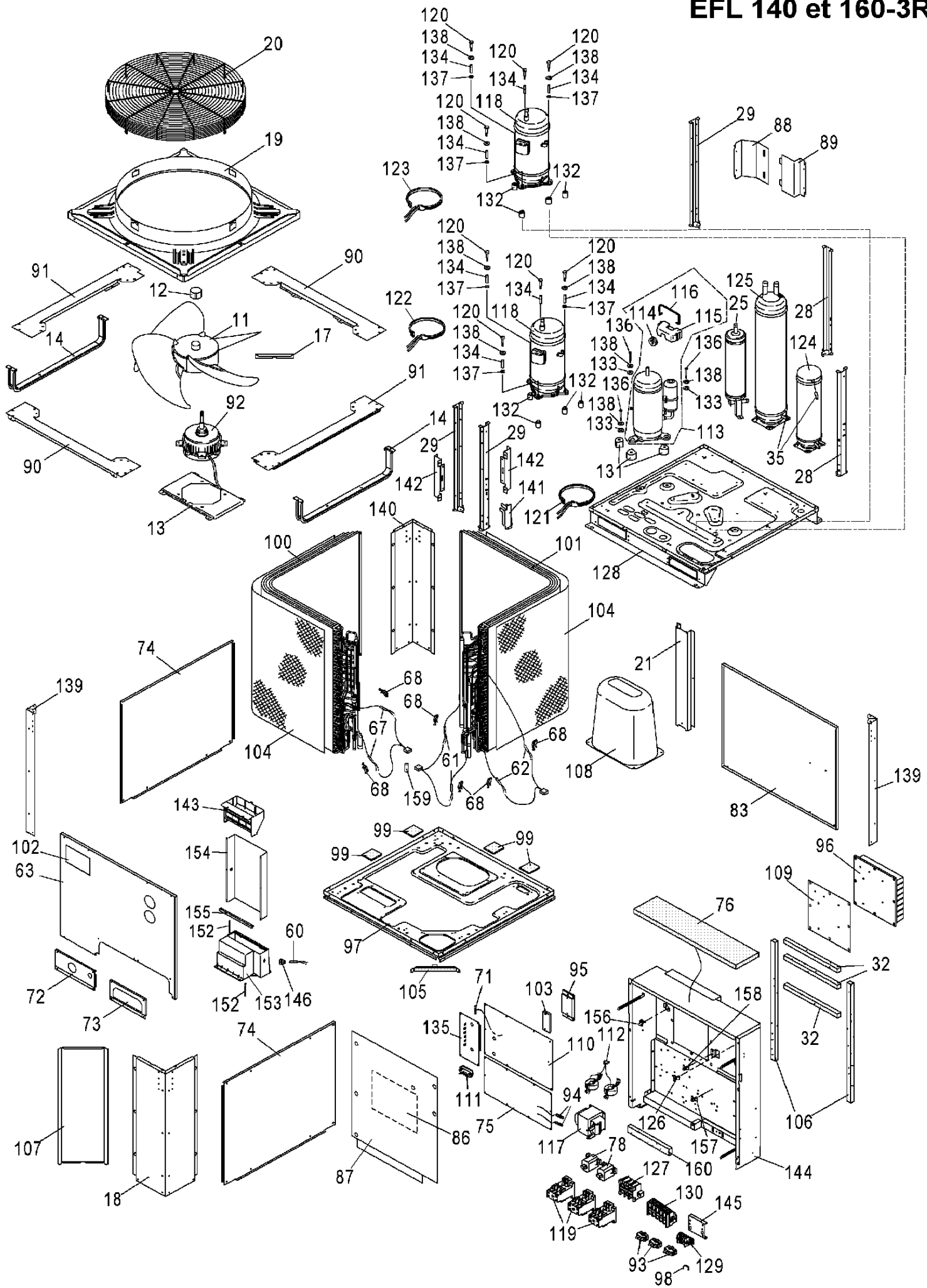
Internal number : 4610

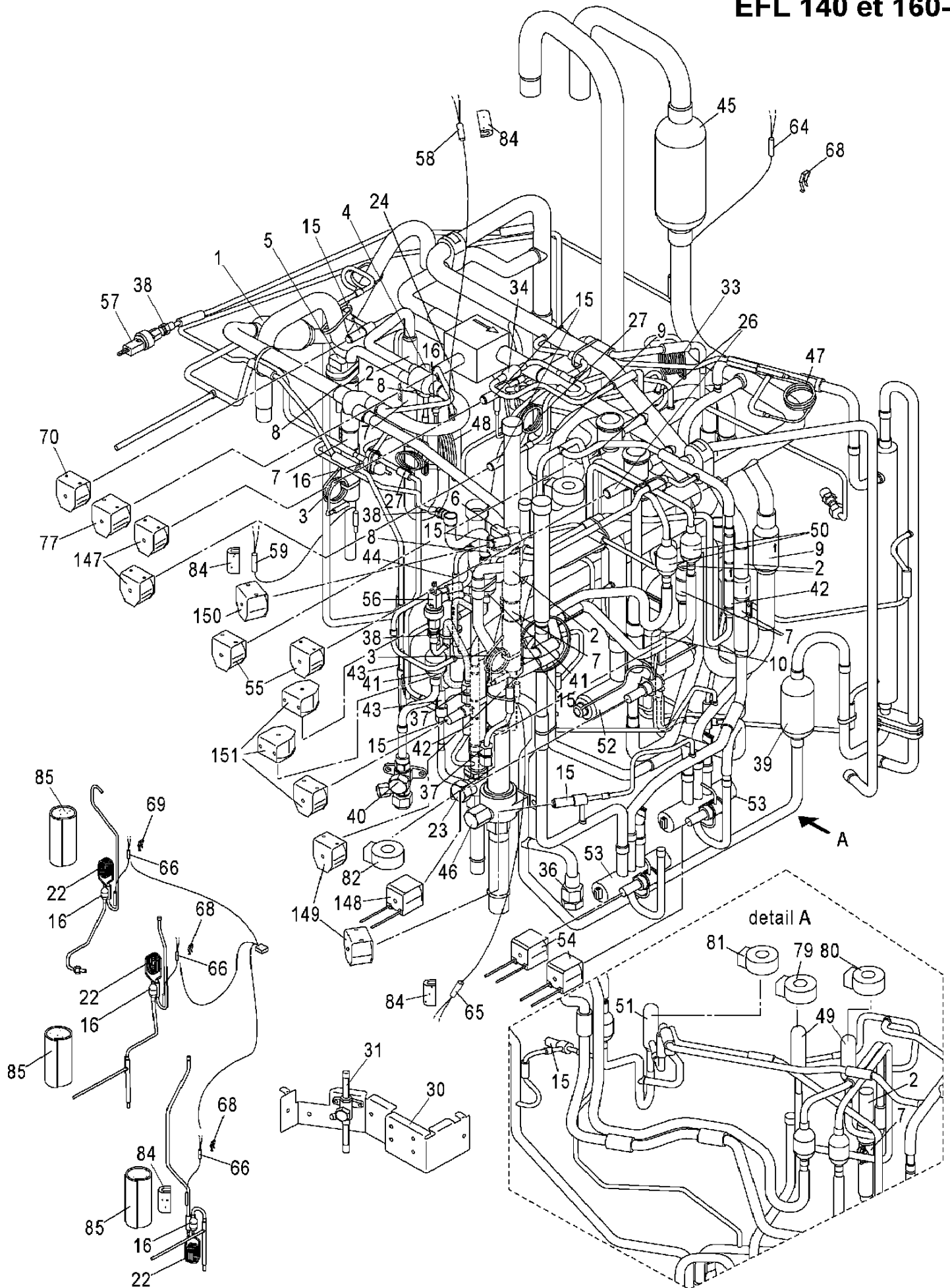
Version : Heat pump 415/3/50

Spare parts list used

Loc	Spare parts code	Replaced by	Qty	Description	Observation
11	9380114345		1	Propeller	
94	9380183020		1	Relay FC-1SZ607	
150	9380202318		1	Relay FC-2SZ607	
71	9231929579		1	Reversing valve coil STF-01AJ512D1	
53	9231834316		2	Reversing valve STF-0301G	
72	9231929562		1	Solenoid valve coil NEV-MOAJ544B1	
34	9231929531		1	Solenoid valve coil TEV-MOAJ909B1	
98	9231929623		1	Solenoid valve coil TEV-MOAJ909B1	
70	9231929586		1	Solenoid valve coil TEV-MOAJ909B1	
33	9231929548		1	Solenoid valve coil TEV-MOAJ909B1	
73	9231898943		1	Solenoid valve coil UKV-U031E	
75	9231899094		1	Solenoid valve coil UKV-U038E	
74	9231899100		1	Solenoid valve coil UKV-U049E	
26	9230653260		2	Solenoid valve NEV1204DXF	
43	9231834279		2	Solenoid valve TEV-1620DQ14	
15	9231834118		6	Solenoid valve TEV-1920D	
95	9380193876		1	Terminal block KT80-5J-SA1842	
96	9380132165		1	Terminal block KTM-4J	
56	9231834286		1	Thermistor NSK-BC035I-082	
57	9231834415		1	Thermistor NSK-BC035I-083	
64	9231834347		1	Thermistor PB2M-41E	
61	9231834378		1	Thermistor PB2M-41E	
66	9231834453		1	Thermistor PB2M-41E	
62	9231834361		1	Thermistor PB2M-41E	
60	9231834385		1	Thermistor PBM-41E	
58	9231834408		1	Thermistor PTC-51H	
59	9231834392		1	Thermistor PTC-51H	
82	9231793187		2	Thermistor ZPROYCE101A500	
19	9231709560		1	Top panel	
92	9231834545		1	Transformer CL-9	

EFL 140 et 160-3R





Brand :Airwell Model : EFL 140-3R / R410

Product Number : 7SP14R021

Internal number : 4609

Version : Heat pump 415/3/50

Spare parts list used

Loc	Spare parts code	Replaced by	Qty	Description	Observation
23	9231774575		1	3/4 valve ass'y	
40	9231774506		1	3/8 valve ass'y	
42	9380040729		2	Check valve	
9	9380064169		2	Check valve	
37	9231796270		2	Check valve	
44	9231721067		1	Check valve	
2	9231709362		5	Check valve ass'y	
117	9231515383		1	Coil R502AD-TB	
113	9231823884		1	Compressor ass'y C-9RVN273HOU	
118	9231844667		2	Compressor ass'y E505DH-49D2Y	
97	9231929630		1	Condensate tray ass'y	
100	9231838338		1	Condenser (left)	
101	9231838321		1	Condenser (right)	
110	9231846166		1	Control elect. board CR-CR1154GDZH8 (addressing)	
96	9231929609		1	Cooler	
95	9231774551		1	Cooler	
111	9231863279		1	Diode DF30AA120	
10	9231838208		1	Electronic pressure reducer UKV-18D39	
49	9231777477		2	Electronic pressure reducer UKV-30D40	
92	9231834538		1	Fan motor GCG21804-T8SA	
20	9231834187		1	Fan protective grill	
75	9231846159		1	Filter electronic board FIL-CR1154GDZH8	
71	9380107828		1	Fuse BET6,3A	
94	9231834330		2	Fuse SHV14-20A	
46	9231838222		1	Gas valve ass'y	
121	9231834828		1	Heating resistor	
122	9231834811		1	Heating resistor	
123	9231838383		1	Heating resistor	
135	9231932982		1	Hybrid board HIC-C1155GDXH8	
125	9231929661		1	Liquid accumulator ass'y	
124	9231834798		1	Liquid receiver tank	
31	9231709508		1	Oil balancing valve	
25	9380193616		1	Oil separator ass'y	
51	9231838239		1	Pressure reducer UKV-32D41	

Brand :Airwell Model : EFL 140-3R / R410

Product Number : 7SP14R021

Internal number : 4609

Version : Heat pump 415/3/50

Spare parts list used

Loc	Spare parts code	Replaced by	Qty	Description	Observation
6	9231838192		1	Pressure switch ACB-1TB39W	
5	9231834095		1	Pressure switch ACB-1TB39W	
4	9231834101		1	Pressure switch ACB-1TB39W	
67	9231838260		1	Probe PB2M-41E	
11	9380114345		1	Propeller	
119	9380183020		3	Relay FC-1SZ607	
148	9231929791		1	Reversing valve coil STF-01AJ512D1	
54	9231929715		1	Reversing valve coil STF-01AJ512D1	
53	9231812062		2	Reversing valve STF-0202G	
52	9231812420		1	Reversing valve STF-0401G	
55	9231929708		1	Solenoid valve coil NEV-MOAJ544B1	
77	9231929739		1	Solenoid valve coil REV-AE3191	
149	9231929784		1	Solenoid valve coil TEV-MOAJ909B1	
70	9231929722		1	Solenoid valve coil TEV-MOAJ909B1	
151	9231929760		1	Solenoid valve coil TEV-MOAJ909B1	
147	9231929807		1	Solenoid valve coil TEV-MOAJ909B1	
150	9231929777		1	Solenoid valve coil TEV-MOAJ909B1	
79	9231898943		1	Solenoid valve coil UKV-U031E	
82	9231899094		1	Solenoid valve coil UKV-U038E	
80	9231899100		1	Solenoid valve coil UKV-U049E	
81	9231929753		1	Solenoid valve coil UKV-U050E	
26	9230653260		2	Solenoid valve NEV1204DXF	
24	9231838215		1	Solenoid valve REV1506DXP	
43	9231834279		2	Solenoid valve TEV-1620DQ14	
15	9231834118		7	Solenoid valve TEV-1920D	
130	9380193876		1	Terminal block KT80-5J-SA1842	
129	9380132165		1	Terminal block KTM-4J	
127	9380202240		1	Terminal block UKT50-3J(A)	
56	9231834286		1	Thermistor NSK-BC035I-082	
57	9231834415		1	Thermistor NSK-BC035I-083	
61	9231834378		1	Thermistor PB2M-41E	
62	9231834361		1	Thermistor PB2M-41E	
64	9231834347		1	Thermistor PB2M-41E	
66	9231838277		1	Thermistor PB2M-41E	
60	9231834385		1	Thermistor PBM-41E	

Brand :Airwell Model : EFL 140-3R / R410

Product Number : 7SP14R021

Internal number : 4609

Version : Heat pump 415/3/50

Spare parts list used

Loc	Spare parts code	Replaced by	Qty	Description	Observation
58	9231834408		1	Thermistor PTC-51H	
59	9231834392		1	Thermistor PTC-51H	
65	9231838284		1	Thermistor PTC-51H	
78	9231793187		2	Thermistor ZPR0YCE101A500	
19	9231709560		1	Top panel	
112	9231838345		1	Transformer CL-9	

Brand :Airwell Model : EFL 160-3R / R410

Product Number : 7SP14R022

Internal number : 4608

Version : Heat pump 415/3/50

Spare parts list used

Loc	Spare parts code	Replaced by	Qty	Description	Observation
23	9231774575		1	3/4 valve ass'y	
40	9231774506		1	3/8 valve ass'y	
42	9380040729		2	Check valve	
9	9380064169		2	Check valve	
37	9231796270		2	Check valve	
44	9231721067		1	Check valve	
2	9231709362		5	Check valve ass'y	
117	9231515383		1	Coil R502AD-TB	
113	9231823884		1	Compressor ass'y C-9RVN273HOU	
118	9231844704		2	Compressor ass'y E605DH-59D2Y	
97	9231929630		1	Condensate tray ass'y	
100	9231838338		1	Condenser (left)	
101	9231838321		1	Condenser (right)	
110	9231846166		1	Control elect. board CR-CR1154GDZH8 (addressing)	
95	9231774551		1	Cooler	
96	9231929609		1	Cooler	
111	9231863279		1	Diode DF30AA120	
10	9231838208		1	Electronic pressure reducer UKV-18D39	
49	9231777477		2	Electronic pressure reducer UKV-30D40	
92	9231834538		1	Fan motor GCG21804-T8SA	
20	9231834187		1	Fan protective grill	
75	9231846159		1	Filter electronic board FIL-CR1154GDZH8	
71	9380107828		1	Fuse BET6,3A	
94	9231834330		2	Fuse SHV14-20A	
46	9231838222		1	Gas valve ass'y	
121	9231834828		1	Heating resistor	
122	9231834811		1	Heating resistor	
123	9231838383		1	Heating resistor	
135	9231932982		1	Hybrid board HIC-C1155GDXH8	
125	9231929661		1	Liquid accumulator ass'y	
124	9231834798		1	Liquid receiver tank	
31	9231709508		1	Oil balancing valve	
25	9380193616		1	Oil separator ass'y	
51	9231838239		1	Pressure reducer UKV-32D41	

Brand :Airwell Model : EFL 160-3R / R410

Product Number : 7SP14R022

Internal number : 4608

Version : Heat pump 415/3/50

Spare parts list used

Loc	Spare parts code	Replaced by	Qty	Description	Observation
5	9231834095		1	Pressure switch ACB-1TB39W	
6	9231838192		1	Pressure switch ACB-1TB39W	
4	9231834101		1	Pressure switch ACB-1TB39W	
67	9231838260		1	Probe PB2M-41E	
11	9380114345		1	Propeller	
119	9380183020		3	Relay FC-1SZ607	
148	9231929791		1	Reversing valve coil STF-01AJ512D1	
54	9231929715		1	Reversing valve coil STF-01AJ512D1	
53	9231812062		2	Reversing valve STF-0202G	
52	9231812420		1	Reversing valve STF-0401G	
55	9231929708		1	Solenoid valve coil NEV-MOAJ544B1	
77	9231929739		1	Solenoid valve coil REV-AE3191	
149	9231929784		1	Solenoid valve coil TEV-MOAJ909B1	
70	9231929722		1	Solenoid valve coil TEV-MOAJ909B1	
147	9231929807		1	Solenoid valve coil TEV-MOAJ909B1	
151	9231929760		1	Solenoid valve coil TEV-MOAJ909B1	
150	9231929777		1	Solenoid valve coil TEV-MOAJ909B1	
79	9231898943		1	Solenoid valve coil UKV-U031E	
82	9231899094		1	Solenoid valve coil UKV-U038E	
80	9231899100		1	Solenoid valve coil UKV-U049E	
81	9231929753		1	Solenoid valve coil UKV-U050E	
26	9230653260		2	Solenoid valve NEV1204DXF	
24	9231838215		1	Solenoid valve REV1506DXP	
43	9231834279		2	Solenoid valve TEV-1620DQ14	
15	9231834118		7	Solenoid valve TEV-1920D	
130	9380193876		1	Terminal block KT80-5J-SA1842	
129	9380132165		1	Terminal block KTM-4J	
127	9380202240		1	Terminal block UKT50-3J(A)	
56	9231834286		1	Thermistor NSK-BC035I-082	
57	9231834415		1	Thermistor NSK-BC035I-083	
61	9231834378		1	Thermistor PB2M-41E	
62	9231834361		1	Thermistor PB2M-41E	
64	9231834347		1	Thermistor PB2M-41E	
66	9231838277		1	Thermistor PB2M-41E	
60	9231834385		1	Thermistor PBM-41E	

Brand :Airwell Model : EFL 160-3R / R410

Product Number : 7SP14R022

Internal number : 4608

Version : Heat pump 415/3/50

Spare parts list used

Loc	Spare parts code	Replaced by	Qty	Description	Observation
58	9231834408		1	Thermistor PTC-51H	
59	9231834392		1	Thermistor PTC-51H	
65	9231838284		1	Thermistor PTC-51H	
78	9231793187		2	Thermistor ZPR0YCE101A500	
19	9231709560		1	Top panel	
112	9231838345		1	Transformer CL-9	