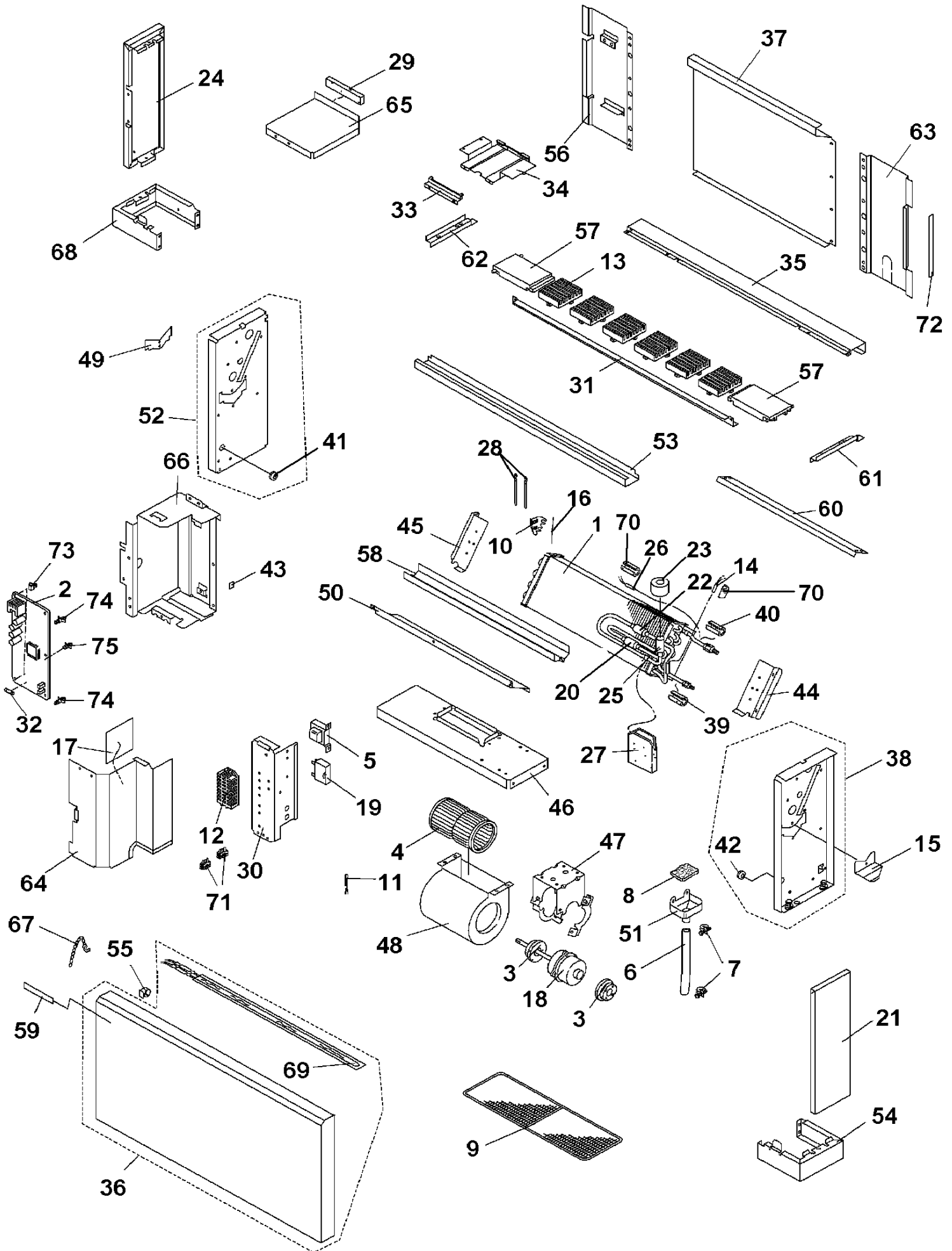


# ST NFFL 7-9-12R



**Brand :Airwell Model : ST NFFL 7R / R410**

Product Number : 7SP01R123

Internal number : 4461

Version : Cooling only/heat pump230/1/50

**Spare parts list used**

Loc	Spare parts code	Replaced by	Qty	Description	Observation
9	9380137825		1	Air filter	
11	9231710580		1	Air inlet probe (KTEC-35-S99-2)	
16	9231752191		1	Air outlet probe (KTEC-35-S85)	
19	9231369092		1	Capacitor (for fan motor)	
4	9230052315		1	Centrifugal fan	
23	9231752207		1	Coil solenoid valve (UKV-U030E)	
51	9231743632		1	Condensate drain tank	
6	9231233478		1	Condensate drain tube	
3	9230072801		2	Cushion rubber	
13	9231136663		6	Discharge grill	
69	9380137900		1	Electric heater assembly (240V)	
2	9231885868		1	Electronic card (CB-UXRP71B-B)	
1	9231752184		1	Evaporator assembly	
14	9231711068		1	Evaporator temperature probe (PBC-41E-AS9-1)	
26	9231752245		1	Evaporator temperature probe (PBC-41E-S42-3)	
18	9380122210		1	Fan motor (KFT6Q-11A3P)	
48	9230052551		1	Scroll	
25	9231752252		1	Solenoid valve (UKV-18D31)	
8	9230990181		1	Strainer filter	
12	9231790452		1	Terminal block	
5	9231884519		1	Transformer (ATR-IL225B-T-R)	

**Brand :Airwell Model : ST NFFL 9R / R410**

Product Number : 7SP01R124

Internal number : 4462

Version : Cooling only/heat pump230/1/50

**Spare parts list used**

Loc	Spare parts code	Replaced by	Qty	Description	Observation
9	9380137825		1	Air filter	
11	9231710580		1	Air inlet probe (KTEC-35-S99-2)	
16	9231752191		1	Air outlet probe (KTEC-35-S85)	
19	9231369092		1	Capacitor (for fan motor)	
4	9230052315		1	Centrifugal fan	
23	9231752207		1	Coil solenoid valve (UKV-U030E)	
51	9231743632		1	Condensate drain tank	
6	9231233478		1	Condensate drain tube	
3	9230072801		2	Cushion rubber	
13	9231136663		6	Discharge grill	
69	9380137900		1	Electric heater assembly (240V)	
2	9231885868		1	Electronic card (CB-UXRP71B-B)	
1	9231752184		1	Evaporator assembly	
14	9231711068		1	Evaporator temperature probe (PBC-41E-AS9-1)	
26	9231752245		1	Evaporator temperature probe (PBC-41E-S42-3)	
18	9380122210		1	Fan motor (KFT6Q-11A3P)	
48	9230052551		1	Scroll	
25	9231752252		1	Solenoid valve (UKV-18D31)	
8	9230990181		1	Strainer filter	
12	9231790452		1	Terminal block	
5	9231884519		1	Transformer (ATR-IL225B-T-R)	

**Brand :Airwell Model : ST NFFL 12R / R410**

Product Number : 7SP01R125

Internal number : 4463

Version : Cooling only/heat pump230/1/50

**Spare parts list used**

Loc	Spare parts code	Replaced by	Qty	Description	Observation
9	9380137825		1	Air filter	
11	9231710580		1	Air inlet probe (KTEC-35-S99-2)	
16	9231752191		1	Air outlet probe (KTEC-35-S85)	
4	9230052315		1	Centrifugal fan	
23	9231752207		1	Coil solenoid valve (UKV-U030E)	
51	9231743632		1	Condensate drain tank	
6	9231233478		1	Condensate drain tube	
3	9230072801		2	Cushion rubber	
13	9231136663		6	Discharge grill	
69	9380137900		1	Electric heater assembly (240V)	
2	9231885868		1	Electronic card (CB-UXRP71B-B)	
1	9231752184		1	Evaporator assembly	
14	9231711068		1	Evaporator temperature probe (PBC-41E-AS9-1)	
26	9231752245		1	Evaporator temperature probe (PBC-41E-S42-3)	
18	9380122227		1	Fan motor (KFT4Q-21B3P)	
19	9230962584		1	Fan motor capacitor	
48	9230052551		1	Scroll	
25	9231752252		1	Solenoid valve (UKV-18D31)	
8	9230990181		1	Strainer filter	
12	9231790452		1	Terminal block	
5	9231884519		1	Transformer (ATR-IL225B-T-R)	



**Brand :Airwell Model : ST NFFL 16R / R410**

Product Number : 7SP01R128

Internal number : 4464

Version : Cooling only/heat pump230/1/50

**Spare parts list used**

Loc	Spare parts code	Replaced by	Qty	Description	Observation
9	9380137658		1	Air filter	
11	9231710580		1	Air inlet probe (KTEC-35-S99-2)	
16	9231752191		1	Air outlet probe (KTEC-35-S85)	
23	9231752207		1	Coil solenoid valve (UKV-U030E)	
51	9231743632		1	Condensate drain tank	
6	9231233478		1	Condensate drain tube	
3	9231035874		2	Cushion rubber	
13	9231136663		9	Discharge grill	
69	9380137764		1	Electric heater assy (240V)	
2	9231885868		1	Electronic card (CB-UXRP71B-B)	
1	9231884533		1	Evaporator assembly	
14	9231752405		1	Evaporator temperature probe (PBC-41E-S35)	
26	9231752412		1	Evaporator temperature probe (PBC-41E-S42-3)	
18	9380122258		1	Fan motor (KFG4Q-61C3P)	
19	9230962584		1	Fan motor capacitor	
4	9230052308		1	Left centrifugal fan	
76	9230052322		1	Right centrifugal fan	
48	9230052551		2	Scroll	
25	9231752337		1	Solenoid valve (UKV-25D32)	
8	9230990181		1	Strainer filter	
12	9231790452		1	Terminal block	
5	9231884519		1	Transformer (ATR-IL225B-T-R)	

**Brand :Airwell Model : ST NFFL 18R / R410**

Product Number : 7SP01R126

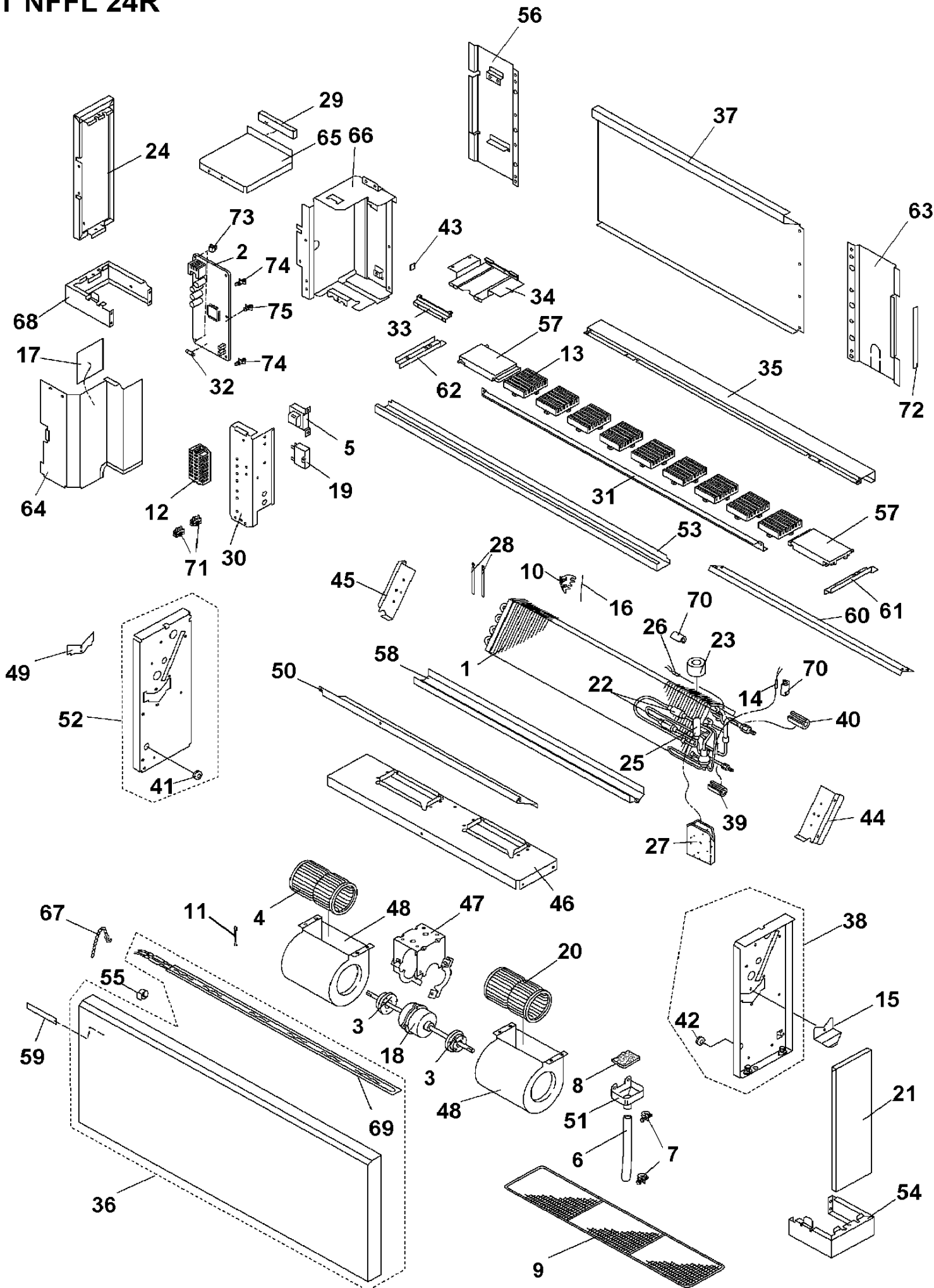
Internal number : 4465

Version : Cooling only/heat pump230/1/50

**Spare parts list used**

Loc	Spare parts code	Replaced by	Qty	Description	Observation
9	9380137658		1	Air filter	
11	9231710580		1	Air inlet probe (KTEC-35-S99-2)	
16	9231752191		1	Air outlet probe (KTEC-35-S85)	
23	9231752207		1	Coil solenoid valve (UKV-U030E)	
51	9231743632		1	Condensate drain tank	
6	9231233478		1	Condensate drain tube	
3	9231035874		2	Cushion rubber	
13	9231136663		9	Discharge grill	
69	9380137764		1	Electric heater assy (240V)	
2	9231885868		1	Electronic card (CB-UXRP71B-B)	
1	9231752399		1	Evaporator assembly	
14	9231752405		1	Evaporator temperature probe (PBC-41E-S35)	
26	9231752412		1	Evaporator temperature probe (PBC-41E-S42-3)	
18	9380122258		1	Fan motor (KFG4Q-61C3P)	
19	9230962584		1	Fan motor capacitor	
4	9230052308		1	Left centrifugal fan	
76	9230052322		1	Right centrifugal fan	
48	9230052551		2	Scroll	
25	9231752337		1	Solenoid valve (UKV-25D32)	
8	9230990181		1	Strainer filter	
12	9231790452		1	Terminal block	
5	9231884519		1	Transformer (ATR-IL225B-T-R)	

# ST NFFL 24R





**Brand :Airwell Model : ST NFFL 24R / R410**

Product Number : 7SP01R127

Internal number : 4466

Version : Cooling only/heat pump230/1/50

**Spare parts list used**

Loc	Spare parts code	Replaced by	Qty	Description	Observation
9	9380137658		1	Air filter	
11	9231710580		1	Air inlet probe (KTEC-35-S99-2)	
16	9231752191		1	Air outlet probe (KTEC-35-S85)	
23	9231752207		1	Coil solenoid valve (UKV-U030E)	
51	9231743632		1	Condensate drain tank	
6	9231233478		1	Condensate drain tube	
3	9231035874		2	Cushion rubber	
13	9231136663		9	Discharge grill	
69	9380137764		1	Electric heater assy (240V)	
2	9231885868		1	Electronic card (CB-UXRP71B-B)	
1	9231752436		1	Evaporator assembly	
14	9231752405		1	Evaporator temperature probe (PBC-41E-S35)	
26	9231752412		1	Evaporator temperature probe (PBC-41E-S42-3)	
18	9380122258		1	Fan motor (KFG4Q-61C3P)	
19	9230943330		1	Fan motor capacitor	
4	9230052308		1	Left centrifugal fan	
20	9230052322		1	Right centrifugal fan	
48	9230052551		2	Scroll	
25	9231752337		1	Solenoid valve (UKV-25D32)	
8	9230990181		1	Strainer filter	
12	9231790452		1	Terminal block	
5	9231884519		1	Transformer (ATR-IL225B-T-R)	