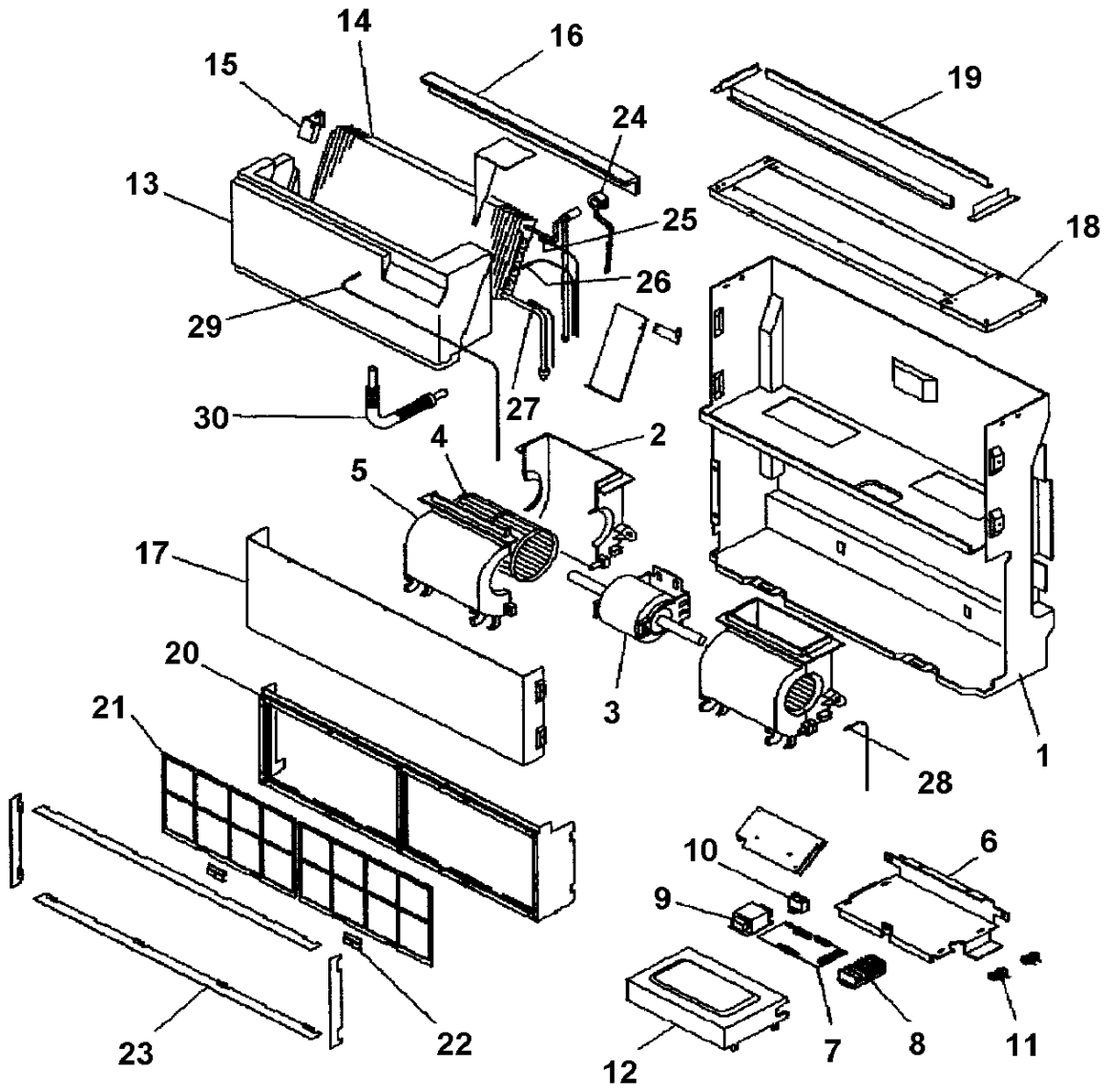


# ST NDSL P 7 à 22R



**Brand :Airwell Model : ST NDSL P 7R / R410**

Product Number : 7SP03R001

Internal number : 4595

Version : Cooling/heat pump 230/1/50

**Spare parts list used**

Loc	Spare parts code	Replaced by	Qty	Description	Observation
21	6231383660		2	Air filter	
28	6704000113		1	Air inlet probe (yellow)	
29	6704000116		1	Air outlet probe (green)	
10	6704000121		1	Capacitor 1,2mF/440V	
24	6704000118		1	Coil solenoid valve UKV030	
30	6230410022		1	Condensate drain hose	
7	6740000515		1	Electronic board CR-TRP50A-B	
14	6740000560		1	Evaporator assembly	
26	6704000108		1	Evaporator probe (E2/black)	
3	6740000647		1	Fan motor K35406-M02046	
27	6704000110		1	Gas temp. probe (E3/brown)	
25	6704000105		1	Liquid temp. probe (E1/red)	
8	6704000117		1	Terminal block	
9	6704000120		1	Transformer ATR-IIJ225A	
4	6231383400		2	Turbine	

**Brand :Airwell Model : ST NDSL P 9R / R410**

Product Number : 7SP03R002

Internal number : 4594

Version : Cooling/heat pump 230/1/50

**Spare parts list used**

Loc	Spare parts code	Replaced by	Qty	Description	Observation
21	6231383660		2	Air filter	
28	6704000113		1	Air inlet probe (yellow)	
29	6704000116		1	Air outlet probe (green)	
10	6704000121		1	Capacitor 1,2mF/440V	
24	6704000118		1	Coil solenoid valve UKV030	
30	6230410022		1	Condensate drain hose	
7	6740000515		1	Electronic board CR-TRP50A-B	
14	6740000560		1	Evaporator assembly	
26	6704000108		1	Evaporator probe (E2/black)	
3	6740000647		1	Fan motor K35406-M02046	
27	6704000110		1	Gas temp. probe (E3/brown)	
25	6704000105		1	Liquid temp. probe (E1/red)	
8	6704000117		1	Terminal block	
9	6704000120		1	Transformer ATR-IIJ225A	
4	6231383400		2	Turbine	

**Brand :Airwell Model : ST NDSL P 12R / R410**

Product Number : 7SP03R003

Internal number : 4593

Version : Cooling/heat pump 230/1/50

**Spare parts list used**

Loc	Spare parts code	Replaced by	Qty	Description	Observation
21	6231383660		2	Air filter	
28	6704000113		1	Air inlet probe (yellow)	
29	6704000116		1	Air outlet probe (green)	
10	6704000121		1	Capacitor 1,2mF/440V	
24	6704000118		1	Coil solenoid valve UKV030	
30	6230410022		1	Condensate drain hose	
7	6740000515		1	Electronic board CR-TRP50A-B	
14	6740000560		1	Evaporator assembly	
26	6704000108		1	Evaporator probe (E2/black)	
3	6740000647		1	Fan motor K35406-M02046	
27	6704000110		1	Gas temp. probe (E3/brown)	
25	6704000105		1	Liquid temp. probe (E1/red)	
8	6704000117		1	Terminal block	
9	6704000120		1	Transformer ATR-IIJ225A	
4	6231383400		2	Turbine	

**Brand :Airwell Model : ST NDSL P 16R / R410**

Product Number : 7SP03R004

Internal number : 4592

Version : Cooling/heat pump 230/1/50

**Spare parts list used**

Loc	Spare parts code	Replaced by	Qty	Description	Observation
21	6231383660		2	Air filter	
28	6704000113		1	Air inlet probe (yellow)	
29	6704000116		1	Air outlet probe (green)	
10	6230011618		1	Capacitor UPMDD-440V/1.5uF	
24	6704000118		1	Coil solenoid valve UKV030	
30	6230410022		1	Condensate drain hose	
7	6740000515		1	Electronic board CR-TRP50A-B	
14	6740000561		1	Evaporator assembly	
26	6704000108		1	Evaporator probe (E2/black)	
3	6231389761		1	Fan motor K48407-M01596	
27	6704000110		1	Gas temp. probe (E3/brown)	
25	6704000105		1	Liquid temp. probe (E1/red)	
8	6704000117		1	Terminal block	
9	6704000120		1	Transformer ATR-IIJ225A	
4	6231383400		2	Turbine	

**Brand :Airwell Model : ST NDSL P 18R / R410**

Product Number : 7SP03R005

Internal number : 4591

Version : Cooling/heat pump 230/1/50

**Spare parts list used**

Loc	Spare parts code	Replaced by	Qty	Description	Observation
21	6231383660		2	Air filter	
28	6704000113		1	Air inlet probe (yellow)	
29	6704000116		1	Air outlet probe (green)	
10	6230011618		1	Capacitor UPMDD-440V/1.5uF	
24	6704000118		1	Coil solenoid valve UKV030	
30	6230410022		1	Condensate drain hose	
7	6740000515		1	Electronic board CR-TRP50A-B	
14	6740000561		1	Evaporator assembly	
26	6704000108		1	Evaporator probe (E2/black)	
3	6231389761		1	Fan motor K48407-M01596	
27	6704000110		1	Gas temp. probe (E3/brown)	
25	6704000105		1	Liquid temp. probe (E1/red)	
8	6704000117		1	Terminal block	
9	6704000120		1	Transformer ATR-IIJ225A	
4	6231383400		2	Turbine	

**Brand :Airwell Model : ST NDSL P 22R / R410**

Product Number : 7SP03R006

Internal number : 4590

Version : Cooling/heat pump 230/1/50

**Spare parts list used**

Loc	Spare parts code	Replaced by	Qty	Description	Observation
21	6231383660		2	Air filter	
28	6704000113		1	Air inlet probe (yellow)	
29	6704000116		1	Air outlet probe (green)	
10	6230962583		1	Capacitor UPMDD 440V/2.0uF	
24	6704000118		1	Coil solenoid valve UKV030	
30	6230410022		1	Condensate drain hose	
7	6740000515		1	Electronic board CR-TRP50A-B	
14	6740000562		1	Evaporator assembly	
26	6704000108		1	Evaporator probe (E2/black)	
3	6231389853		1	Fan motor (K48410-M01597)	
27	6704000110		1	Gas temp. probe (E3/brown)	
25	6704000105		1	Liquid temp. probe (E1/red)	
8	6704000117		1	Terminal block	
9	6704000120		1	Transformer ATR-IIJ225A	
4	6231383400		2	Turbine	