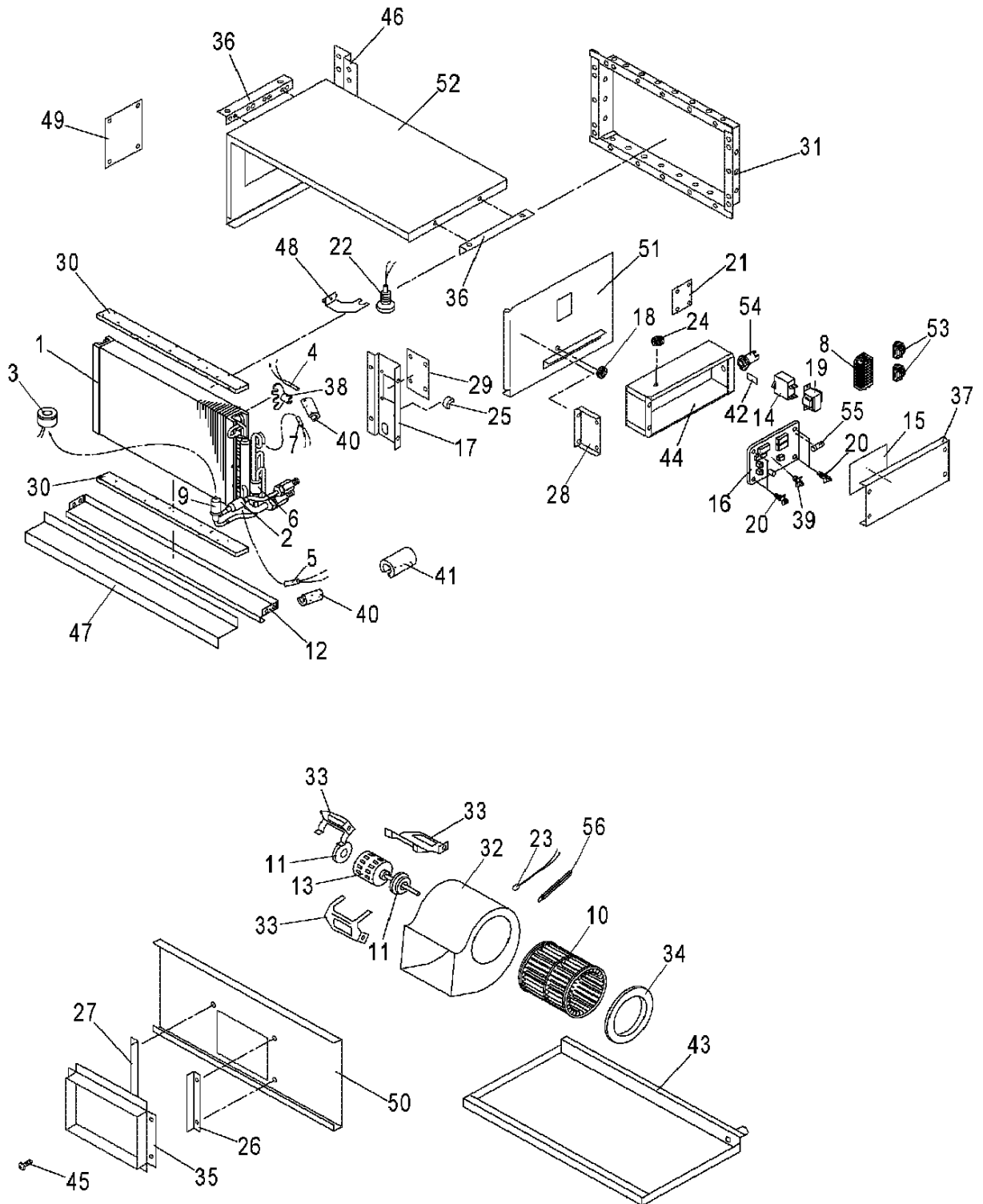


ST NDHP 24R



Brand :Airwell Model : ST NDHP 24R / R410

Product Number : 7SP05R124

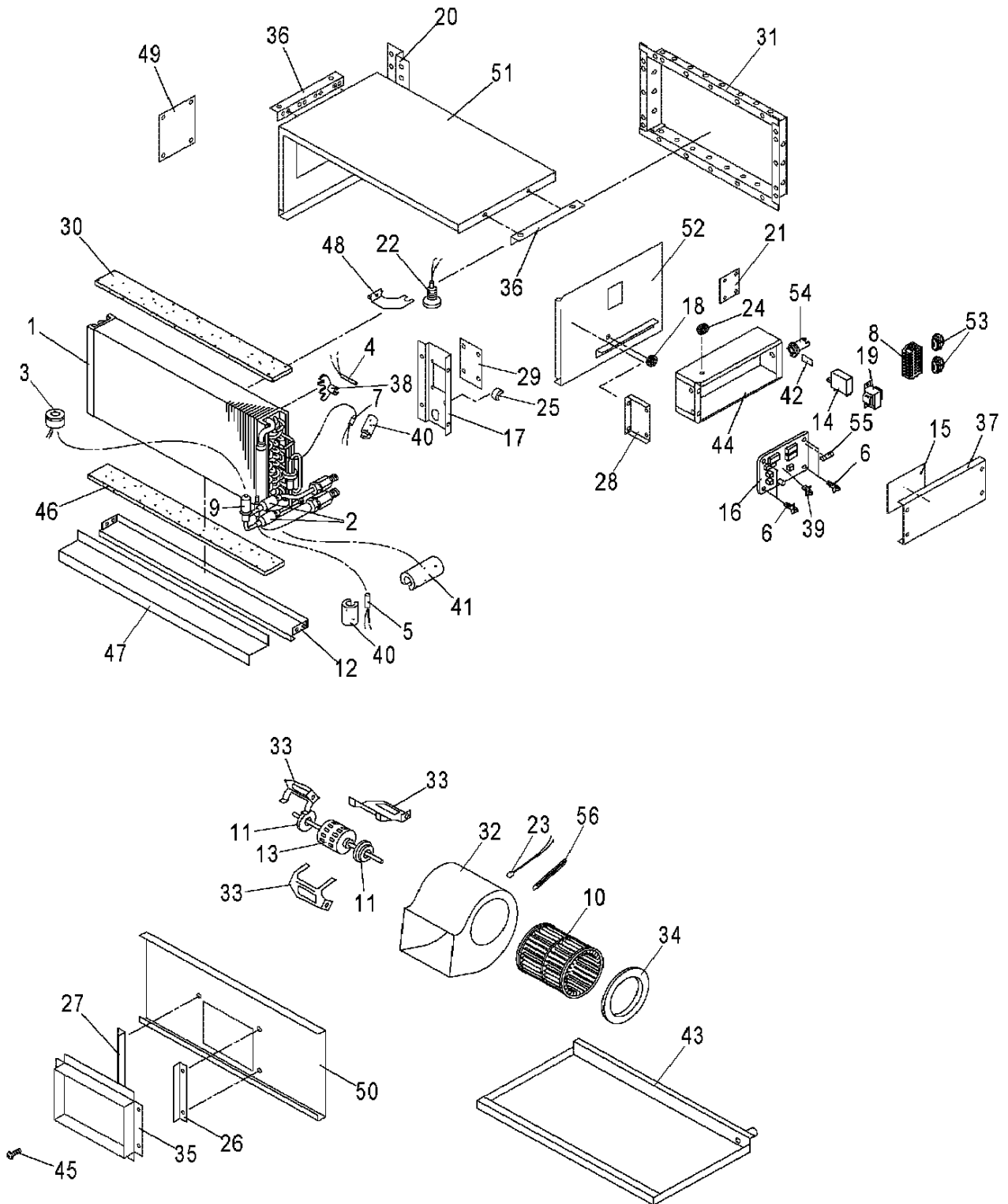
Internal number : 4589

Version : Cooling/heat pump 230/1/50

Spare parts list used

Loc	Spare parts code	Replaced by	Qty	Description	Observation
23	9231752191		1	Air outlet probe (KTEC-35-S85)	
4	9231741294		1	Air recovery probe	
3	9231752207		1	Coil solenoid valve (UKV-U030E)	
43	9231743540		1	Condensate tray ass'y	
11	9230799876		2	Cushion rubber	
16	9231885868		1	Electronic card (CB-UXRP71B-B)	
1	9231758261		1	Evaporator assembly	
7	9231701762		1	Evaporator probe PBC-41E-S36	
5	9231701779		1	Evaporator probe PBC-41E-S42-2	
14	9380036654		1	Fan motor capacitor 5mF/440V	
13	9380118718		1	Fan motor KFC4X-201B5P	
55	3230331609		1	Fuse 5A	
22	9380118756		1	Pressure switch FS-3502-204	
9	9231752337		1	Solenoid valve (UKV-25D32)	
8	9231790452		1	Terminal block	
19	9231884519		1	Transformer (ATR-IL225B-T-R)	
10	9230683311		1	Turbine	

ST NDHP 36R



Brand :Airwell Model : ST NDHP 36R / R410

Product Number : 7SP05R125

Internal number : 4588

Version : Cooling/heat pump 230/1/50

Spare parts list used

Loc	Spare parts code	Replaced by	Qty	Description	Observation
23	9231752191		1	Air outlet probe (KTEC-35-S85)	
4	9231741294		1	Air recovery probe	
3	9231752207		1	Coil solenoid valve (UKV-U030E)	
43	9231743540		1	Condensate tray ass'y	
11	9230799876		2	Cushion rubber	
16	9231885868		1	Electronic card (CB-UXRP71B-B)	
1	9231760301		1	Evaporator assembly	
7	9231701762		1	Evaporator probe PBC-41E-S36	
5	9231701779		1	Evaporator probe PBC-41E-S42-2	
14	9380088240		1	Fan motor capacitor 7mF/440V	
13	9380118718		1	Fan motor KFC4X-201B5P	
55	3230331609		1	Fuse 5A	
22	9380118756		1	Pressure switch FS-3502-204	
9	9231760257		1	Solenoid control valve UKV-30D33	
8	9231790452		1	Terminal block	
19	9231884519		1	Transformer (ATR-IL225B-T-R)	
10	9230683311		1	Turbine	

Brand :Airwell Model : ST NDHP 48R / R410

Product Number : 7SP05R126

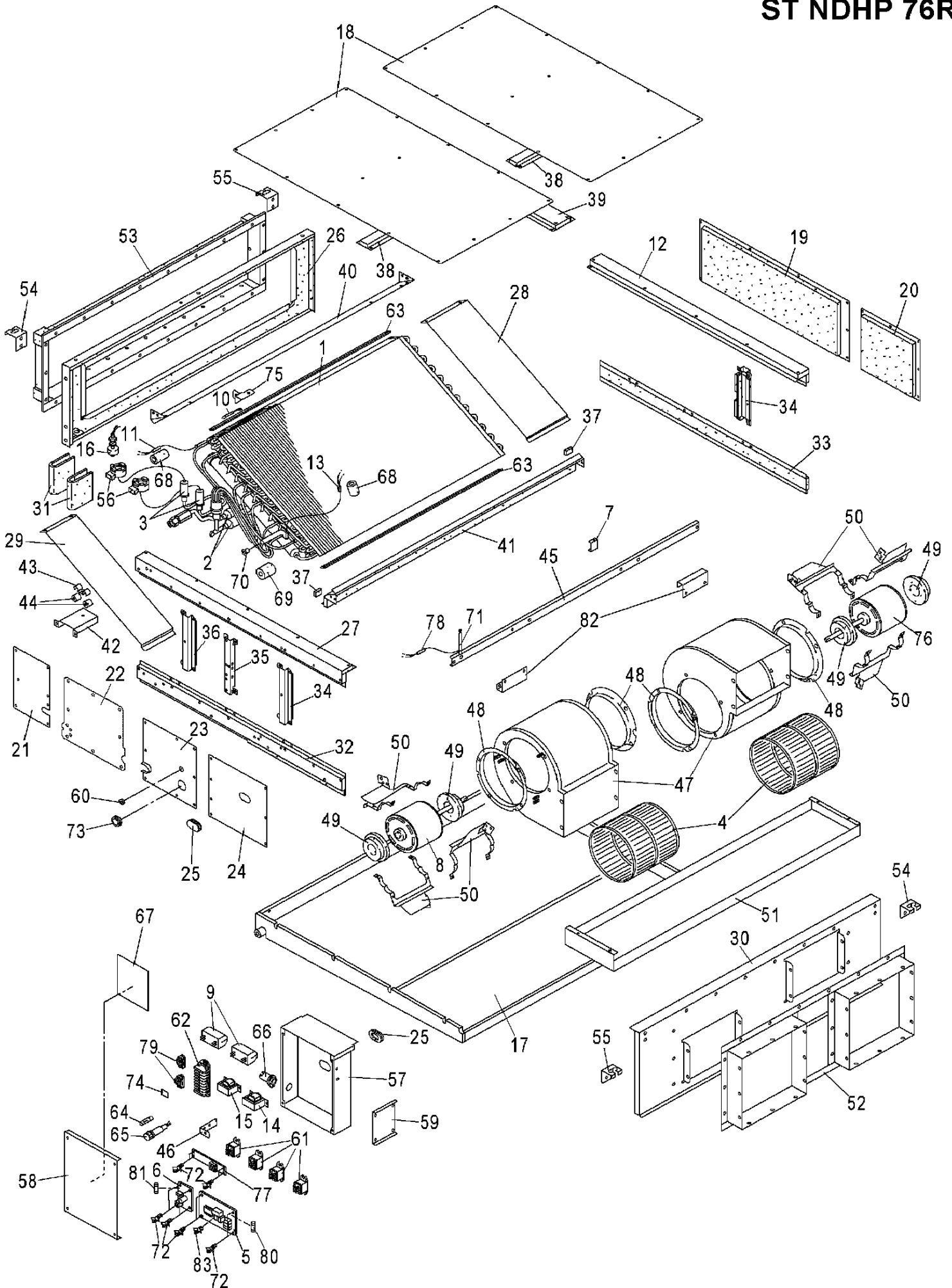
Internal number : 4587

Version : Cooling/heat pump 230/1/50

Spare parts list used

Loc	Spare parts code	Replaced by	Qty	Description	Observation
53	9231752191		1	Air outlet probe (KTEC-35-S85)	
4	9231741294		1	Air recovery probe	
3	9231752207		1	Coil solenoid valve (UKV-U030E)	
58	9380119678		1	Condensate tray ass'y	
11	9230799913		2	Cushion rubber	
16	9231885868		1	Electronic card (CB-UXRP71B-B)	
1	9231760356		1	Evaporator assembly	
7	9231701762		1	Evaporator probe PBC-41E-S36	
5	9231701779		1	Evaporator probe PBC-41E-S42-2	
14	9380088240		2	Fan motor capacitor 7mF/440V	
13	9380119661		1	Fan motor KFC4Q-401A5P	
61	3230331609		1	Fuse 5A	
9	9380107828		1	Fuse BET6,3A	
31	9380107835		1	Fuse holder F-400-01-B2	
22	9231932975		4	Power relay LY2F	
23	9380118756		1	Pressure switch FS-3502-204	
21	9231760257		1	Solenoid control valve UKV-30D33	
8	9231790452		1	Terminal block	
19	9231884519		1	Transformer (ATR-IL225B-T-R)	
10	9230683403		1	Turbine	

ST NDHP 76R



Brand :Airwell Model : ST NDHP 76R / R410

Product Number : 7SP05R127

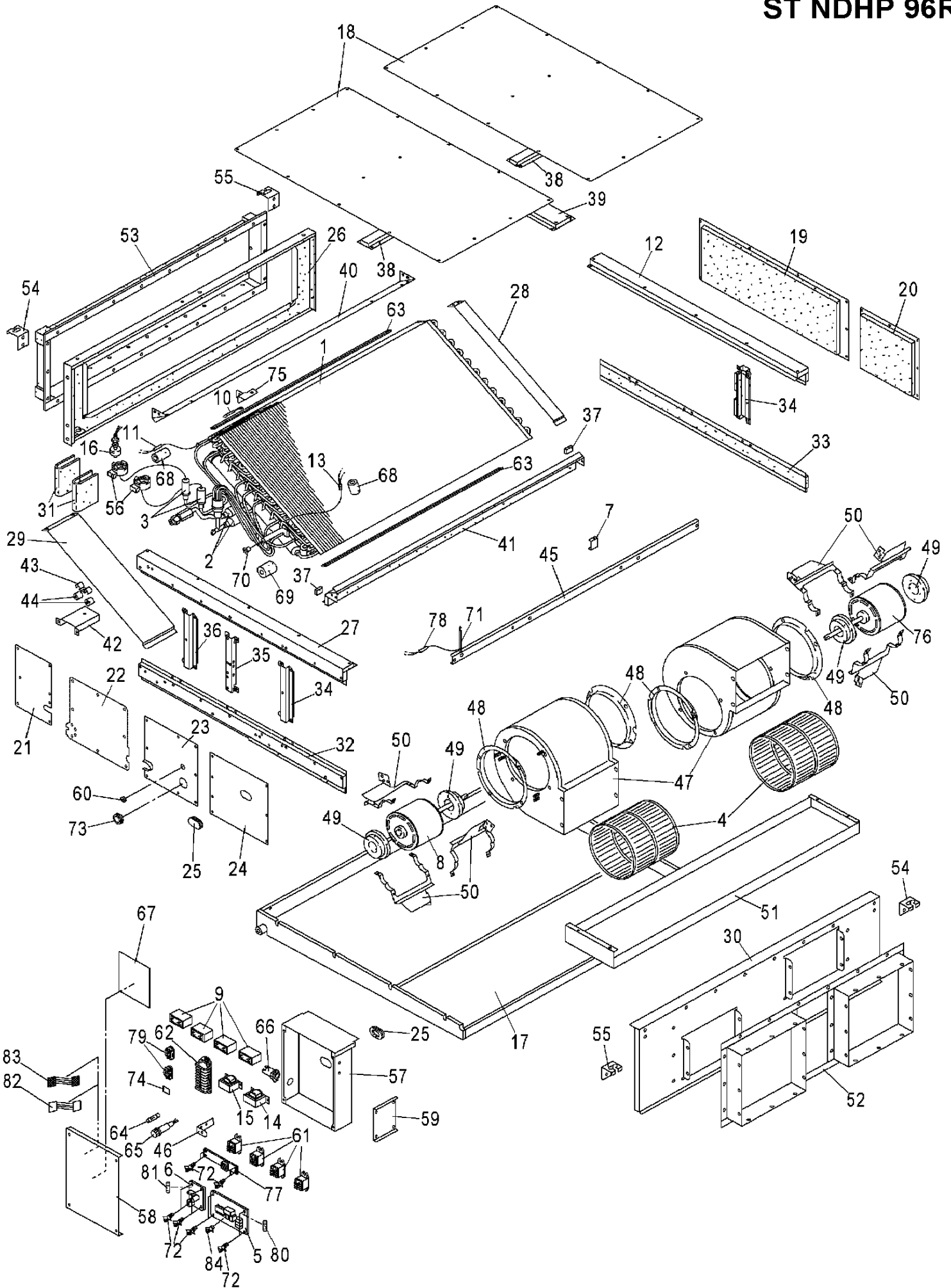
Internal number : 4586

Version : Cooling/heat pump 230/1/50

Spare parts list used

Loc	Spare parts code	Replaced by	Qty	Description	Observation
10	9231718197		1	Air outlet probe KTEC-35-S99-8	
78	9231612297		1	Air recovery probe KTEC-35S6	
17	9380202844		1	Condensate tray assembly	
49	9230799876		4	Cushion rubber	
6	9380202752		1	Electronic board CR-MOVDG	
5	9231885868		1	Electronic card (CB-UXRP71B-B)	
77	9231715806		1	Electronic card CR-SV80A	
1	9231760387		1	Evaporator assembly	
11	9231718142		1	Evaporator probe PBC-41E-S	
13	9231612235		1	Evaporator probe PBC-41E-S42-2	
9	9380202776		4	Fan motor capacitor	
76	9380202769		1	Fan motor KFC4X-201B5P	
8	9231746800		1	Fan motor KFC4X-201B5P	
80	3230331609		1	Fuse 5A	
81	9380210887		1	Fuse BET2A	
65	9231957114		1	Fuse holder MF-530H	
64	9380193890		1	Fuse TLC15A-S	
61	9231932975		4	Power relay LY2F	
47	9380203360		2	Scroll	
3	9231760257		2	Solenoid control valve UKV-30D33	
56	9231753969		2	Solenoid valve coil UKV-U023E	
62	9231790452		1	Terminal block	
15	9380202820		1	Transformer ATR-I155A	
14	9231884724		1	Transformer ATR-IL225B-T-R	
4	9230683311		2	Turbine	
16	9380202837		1	Water level detector	

ST NDHP 96R



Brand :Airwell Model : ST NDHP 96R / R410

Product Number : 7SP05R128

Internal number : 4585

Version : Cooling/heat pump 230/1/50

Spare parts list used

Loc	Spare parts code	Replaced by	Qty	Description	Observation
10	9231718197		1	Air outlet probe KTEC-35-S99-8	
78	9231612297		1	Air recovery probe KTEC-35S6	
17	9380202844		1	Condensate tray assembly	
49	9230799913		4	Cushion rubber	
6	9380202752		1	Electronic board CR-MOVDG	
5	9231885868		1	Electronic card (CB-UXRP71B-B)	
77	9231715806		1	Electronic card CR-SV80A	
1	9231760448		1	Evaporator assembly	
11	9231718142		1	Evaporator probe PBC-41E-S	
13	9231612235		1	Evaporator probe PBC-41E-S42-2	
9	9380200758		4	Fan motor capacitor	
76	9380203605		1	Fan motor KFC4X-401B3P	
8	9231597778		1	Fan motor KFC4X-401B3P	
80	3230331609		1	Fuse 5A	
81	9380210887		1	Fuse BET2A	
65	9231957114		1	Fuse holder MF-530H	
64	9380193890		1	Fuse TLC15A-S	
61	9231932975		4	Power relay LY2F	
47	9380203568		2	Scroll	
3	9231760257		2	Solenoid control valve UKV-30D33	
56	9231753969		2	Solenoid valve coil UKV-U023E	
62	9231790452		1	Terminal block	
15	9380202820		1	Transformer ATR-I155A	
14	9231884724		1	Transformer ATR-IL225B-T-R	
4	9230683403		2	Turbine	
16	9380202837		1	Water level detector	