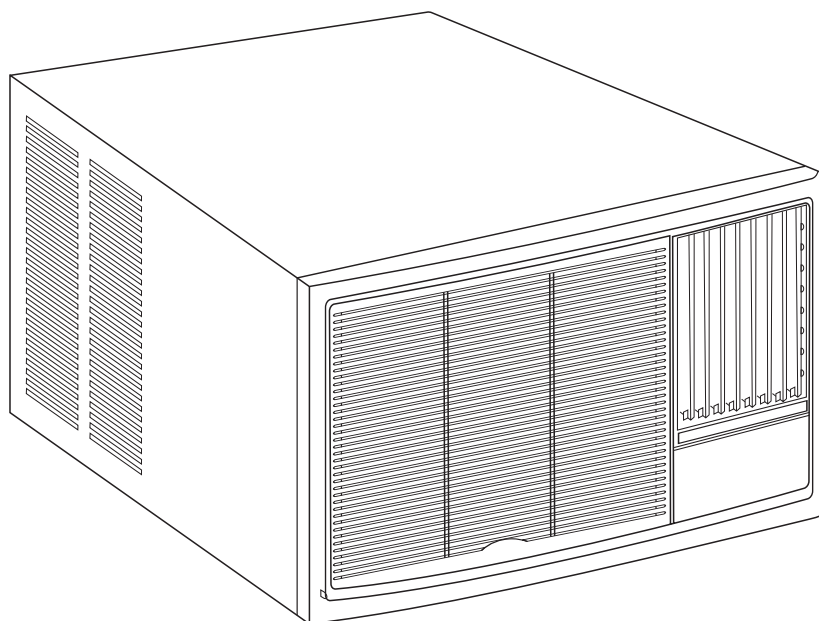


Airwell



High Quality In-Wall Type Room Air Conditioner

**OPERATING MANUAL
MANUEL D'OPERATION
BEDIENUNGSANLEITUNG
MANUALE OPERATIVO
MANUAL DE OPERACIÓN
РУКОВОДСТВО ПО ЭКСПЛУАТАЦИИ**

ENGLISH

FRANÇAIS

DEUTSCH

ITALIANO

ESPAÑOL

РУССКИЙ

CONTENTS

General information	1
Name and Function of Components	2
Control Panel	2
Preparations for Operation (Cooling)	3
Cooling Operation	3
Air Circulation	4
Airflow Direction Adjustment	4
Operation, Maintenance & Care	5
Precautions	6
Before calling for Service	7

GENERAL INFORMATION

To ensure that the air-conditioner be used correctly and safely, please proceed the installation in accordance with the installation manual and read through this manual carefully before using the system. Please keep the manual in a safe place after use.

This is an In-wall type cooling air-conditioner. The range of working temperature is between 18°C and 43°C . This air-conditioner employs a compact structure and thus has the advantage of small power consumption. However, the cooling efficiency of an In-wall type air-conditioner depends on many factors, for example its orientation, the indoor room temperature, frequency of opening and closing the doors, insulation of the building, height of the ceiling and etc.

The filter installed under the front frame at the factory can be reused after cleaning and drying.

To prevent accidents, make sure to install a fuse for the external power supply of the air-conditioner. The fuse size specified in the name plate. External power supply of the unit should be wired in accordance with the related national standards. To prevent fire and accidents, extension cords should not be used.

The maximum input power and electric current specified on the label are values under the following extreme circumstances: outdoor temperature of 43°C and voltage of 253V.

Noise level specified on the label is the value measured in the Noise Measurement Room at factory.

The water-proof level specified on the label is outdoor IPX4 test was conducted to the outside of the air-conditioner under the following conditions: the air-conditioner is physically installed; the front cover of the unit is outside the wall and the front cover is firmly sealed.

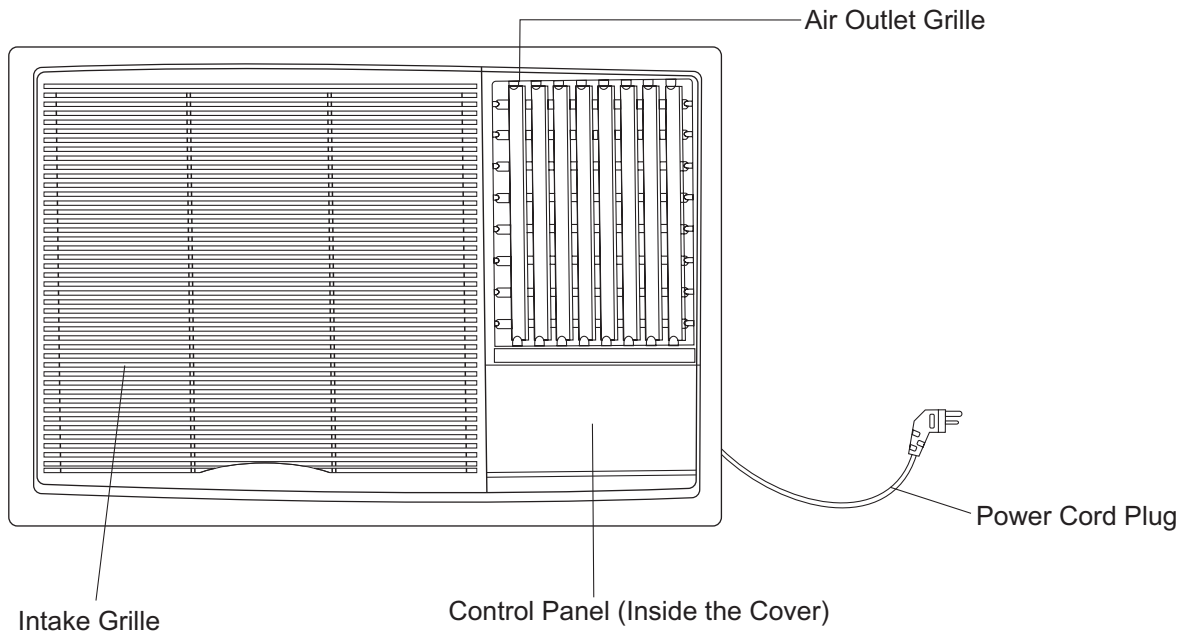
Installation of the air conditioner must be performed by an experienced air conditioning installer, observing good refrigeration practice.

Electrical connections and power cord replacement should only be made by authorized electricians and in accordance with electrical regulations and local codes.

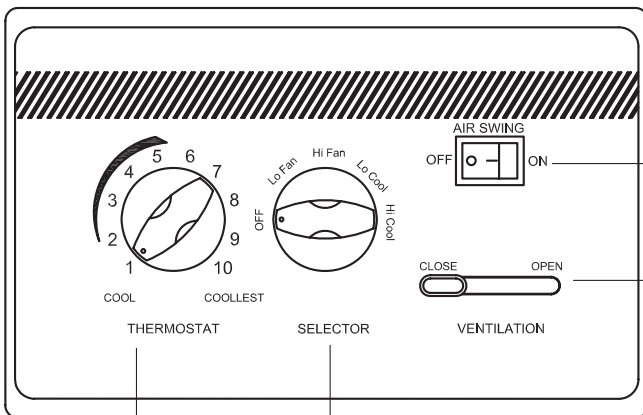
Before Starting

In order to enable efficient and trouble-free operation of your air-conditioner, connect the power plug of your air-conditioner through an exclusive circuit, having a time delay fuse, to the correct power supply described on the rating plate.

NAME AND FUNCTION OF COMPONENTS



CONTROL PANEL



Air Swing Switch

Ventilation Control

When the slide level is set at the left (position of CLOSE), the ventilation door will close. Then the indoor air can only be circulated and adjusted. Set the slide lever to the position of OPEN at the right, and the ventilation door will open and the air, fog and odour can be discharge out of the room.

Function Control Switch

OFF---Stop all the operations.

Lo Fan---The fan runs in a low speed while stopping the compressor operation except for room ventilation and dust elimination.

Hi Fan---Activate the fan in a high speed operation while stopping compressor operation except for room ventilation and dust elimination.

Lo Cool---Cooling operation at low speed.

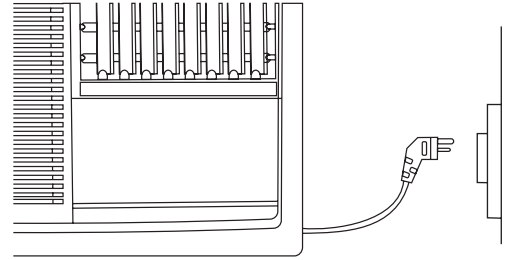
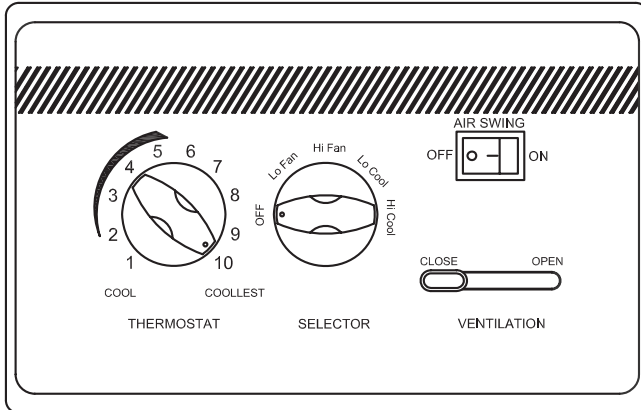
Hi Cool---Cooling operation at high speed.

Thermostat

When you adjust the thermostat to the desired position, it will automatically control the temperature of the indoor air will become lower with turn clockwise.

PREPARATION FOR OPERATION (COOLING)

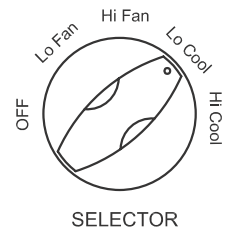
- Set the function control switch to "OFF "
- Insert the power plug, and turn on the power of the unit
- Turn the temperature control switch to the position of "10" (the coolest) and make preparation for other operations.



COOLING OPERATION

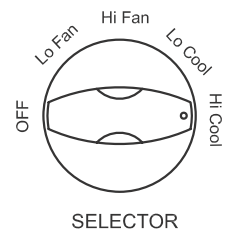
LOW COOL

Turn the function control switch to "LO COOL" and the unit will automatically conduct a clam cooling operation, dehumidify the room, and eliminate dust.



HIGH COOL

Turn the function control switch to "HI COOL", then the unit automatically conducts a high cool operation so that the room temperature is reduced rapidly and at the same time the room is being dehumidified and the dust is being filtered.

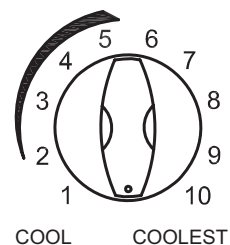


Thermostat Control

The thermostat is set by means of the THERMOSTAT control. When the room temperature is higher than the thermostat setting, the compressor is automatically switched on to provide a cooling effect. When the room temperature is lower than the thermostat setting, the compressor is automatically switched off to stop cooling.

It can be seen therefore, that the thermostat serves to keep the room temperature constant by causing the compressor to start and stop automatically.

1. When you wish to lower the temperature, turn the THERMOSTAT knob clockwise in the direction of the higher numbers on the dial.
2. When you wish to increase the temperature, turn the THERMOSTAT knob anti-clockwise in the direction of lower numbers on the dial.

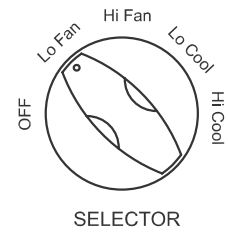


Turning the Knob anticlockwise

AIR CIRCULATION

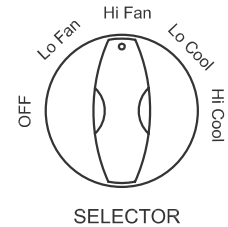
Low Fan

Turn the function selector switch to "Lo Fan", The unit will activate the fan operation at low speed, while stopping the compressor operation except for room ventilation and dust elimination



High Fan

Turn the function selector switch to "Hi Fan", The unit will activate the fan operation at high speed, while stopping the compressor operation except for room ventilation and dust elimination

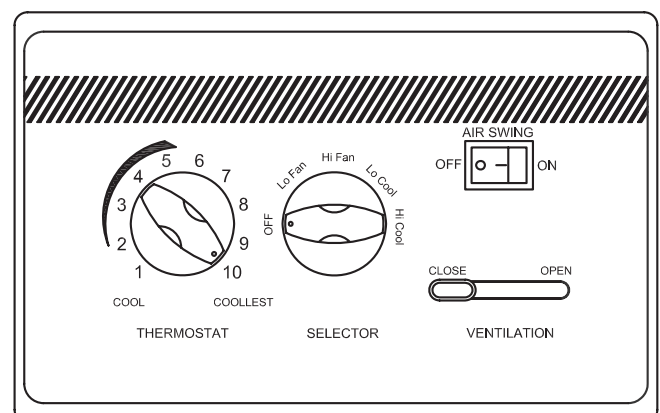
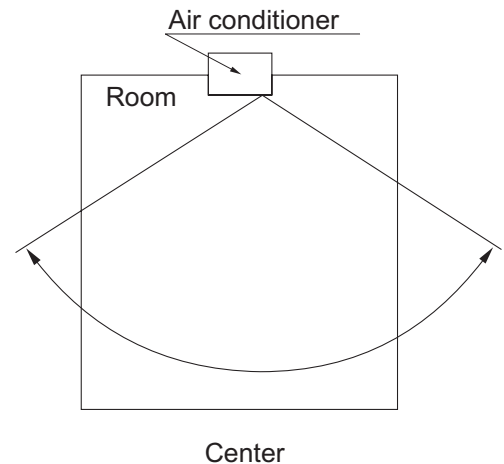


AIRFLOW DIRECTION ADJUSTMENT

Air Flow Adjustment

On this position, the horizontal air deflecting blades will move automatically from left to right and back, to spread the conditioned air evenly throughout the room.

Another option is to fix the air direction by adjusting the air deflector using the AIR SWING switch to ON and once the air direction is in the right position, turn the AIR SWING to OFF.



OPERATION, MAINTENANCE & CARE

Room Air Filter

A filter is provided on the rear of the removable panel. Since the function of this filter is to filter dust and dirt in the air, please clean it regularly before it becomes clogged with dust. Wash the filter with clean water. If it is very dirty, rinse it in a synthetic detergent before washing in clean water. Allow the filter to dry thoroughly in the shade after washing.

Remove the filter in the following manner:

Using the frip position, push the bottom of the removable panel up with your hand, pull it towards you, and the removable panel will be easily removed (See fig.1, Fig 2)

The filter is attached to the rear side of the removable panel. Pull the lower edge of the filter forward in order to remove the filter from the removable panel (See Fig.3). To replace the filter, insert the top edge of the filter under the hooks at the top of the removable panel, then press into the two lower hooks to fix into place (See Fig 4) When you want to refit the removable panel, insert it by pushing the upper edge of the removable panel against the upper part of the front panel.

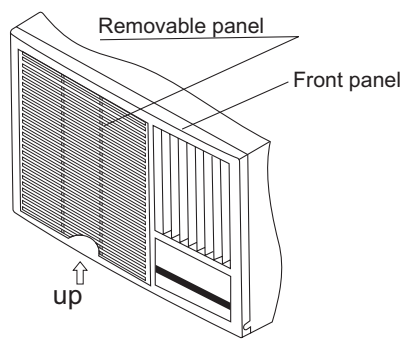


Fig. 1

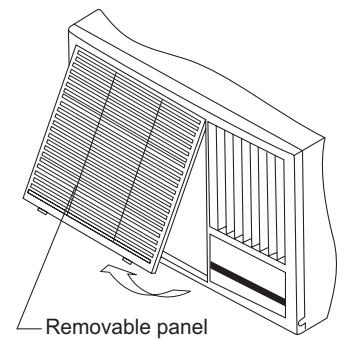


Fig. 2

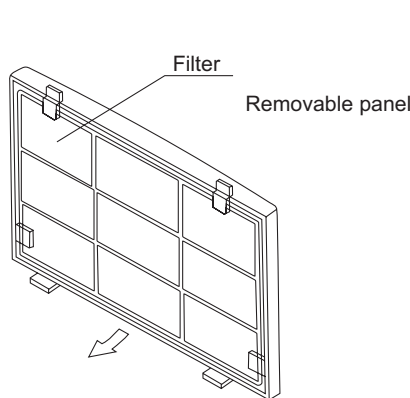


Fig. 3

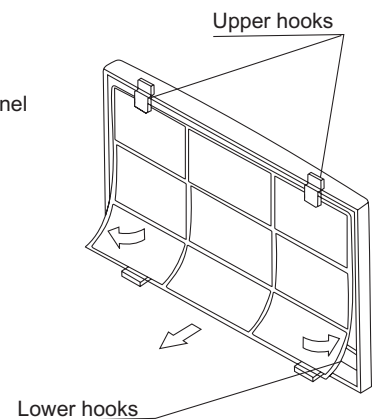


Fig. 4

How to Remove the Front Panel

Remove the front panel in the following manner. The front panel is attached to the cabinet with snap clips at the top and side and screws at the bottom and side. Remove the removable panel first and you will see two screws at the left and right of the bottom and two sides. Take them off. (See Fig.5)

Hold up the front panel with your hands to remove it completely (See Fig 6). When refitting the front panel, insert the three clips on the upper part of the panel into the three slots at the top side of the cabinet, and insert the six clips on the two sides of the panel into the two sides of cabinet. Press the front panel at its bottom side and fix it with screw. This completes refitting of the front panel.

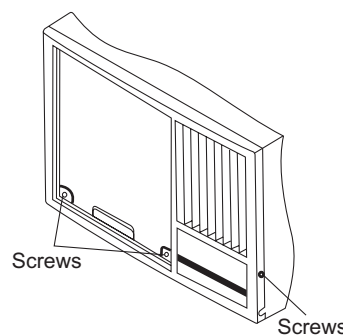


Fig. 5

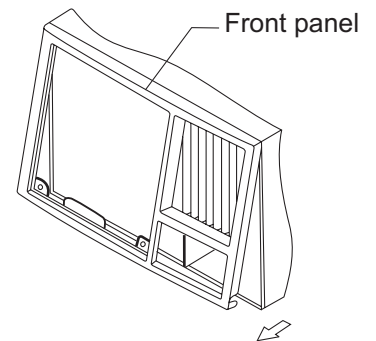


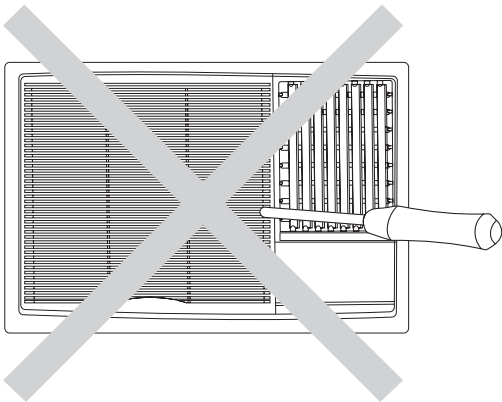
Fig. 6

PRECAUTIONS

The drain outlet is set in the back at the bottom left of the body. Please select a correct draining method in accordance with the installation manual. Please turn off the air conditioner, turn off the power and inform the service centre immediately in the following cases:

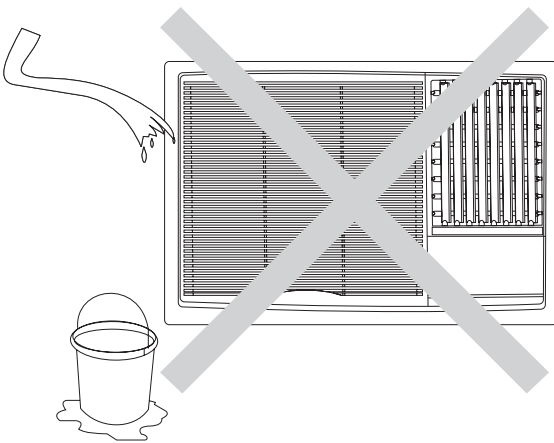
- When abnormal circumstances occur in the air conditioner
- The switch does not normally operate
- The power plug and the lead are overheated during the operation of the unit
- If the outer covering of the wire is damaged
- If foreign objects enter into the air conditioner

The air conditioner must operate in the supply circuit with the standard power supply and only the fuse with designated capacity is allowed for use. Metal wires are forbidden to replace it.

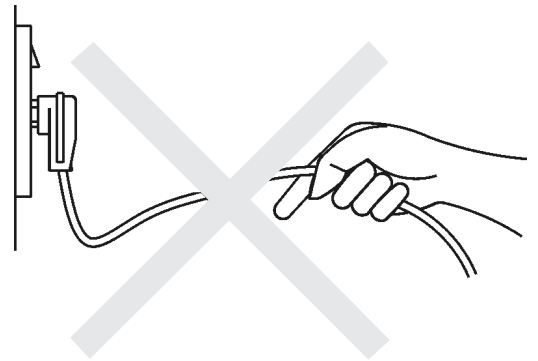


No slim poles or other similar objects should be struck into the air inlet or outlet grille when the air conditioner is in operation.

When turning off the air conditioner, do not directly pull out the power plug, use the power switch.



If the supply cord is damaged, you must contact the manufacturer or his authorized service claimant for repair, as special purchase tools are required.



When cleaning the air conditioner, do not sprinkle water onto the unit.

SPECIAL NOTE

Do not restart the unit until the unit has stopped for three minutes (due to turning off the unit or power cut)! If not, the compressor will be easily burnt out.

BEFORE CALLING FOR SERVICE

Before calling for service, please check the followings, which may correct the failure, saving time and money as well.

The air-conditioner does not operate

Is the power cord connected to a power source?

Is the circuit breaker or fuse open or broken?

-Close the circuit breaker again or replace the fuse.

Is there a Power cut off?

-Turn on a lamp to check if there is a power cut off.

No cool air or reduced cooling performance

Is the temperature indicator set correctly?

Is the indicated set temperature higher than the room temperature?

-Reset the indicated set temperature.

Does the sun shine directly into the room?

-Shade the sunlight with window curtain, etc.

Is the door or window open?

-Close the room's doorways and windows.

Are there any obstacles blocking the air inlet or outlet ventilation of the air conditioner?

-Remove the obstacles.

Is the extracting fan in the room operating continuously?

Is the air filter blocked?

-Replace the filter.

Correct installation may reduce vibration and noise

This unit produces a low noise, but incorrect installation (especially when the unit is installed directly into a glass window) may result in stronger vibrational noise. Therefore, we recommend that a special air conditioner installation team, in accordance with the installation manual we provide with the product, to conduct the installation of this unit.

