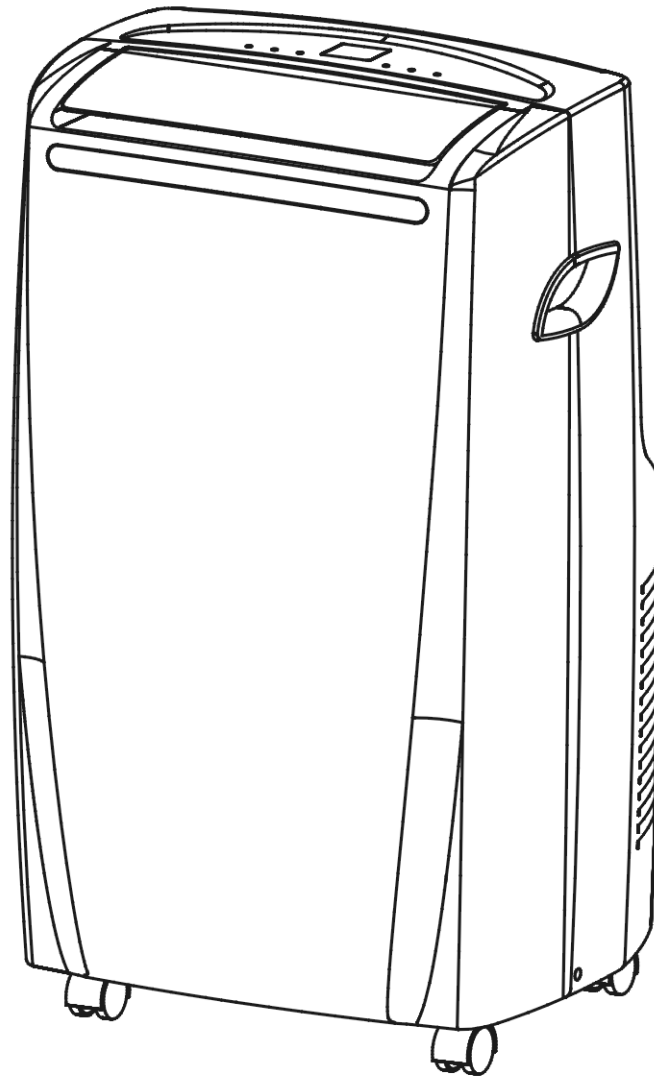


Airwell

AIR CONDITIONER

Use and Care Manual



OM AELIAA 1-A.1A

Introduction

Thank you for choosing this air conditioner to provide you and your family with all of the "Home Comfort" requirements for your home, apartment, or office. The appliance can be moved from room to room within you home and set up in just minutes.

This is a multi-functional room air-exchanging, air-processing appliance, designed to offer you the functions of: Air Conditioning, Dehumidifying, heating (for heating mode only) and Independent Fan.

This manual will provide you with valuable information necessary for the proper care and maintenance for you new appliance. Please take a few moments and read the instructions thoroughly. If properly maintained, your appliance will give you many years of trouble free operation.

Electrical Specifications

- 1.All wiring must comply with local and national electrical codes and be installed by a qualified electrician. If you have any questions regarding the following instructions, contact a qualified electrician.
- 2.Check available power supply and resolve any wiring problems before installation and operation of this unit.
- 3.For your safety and protection, this unit is grounded through the power cord plug when plugged into a matching wall outlet. If you are not sure whether the wall outlets in your home are properly grounded, please consult a electrician. Do not use plug adapters or extension cords with this unit.

Warning

Improper handling can cause serious damage to the appliance.
Read this manual carefully before operating the unit.

Do not wet the housing or control panel.



Do not cover the air outlet while in use.



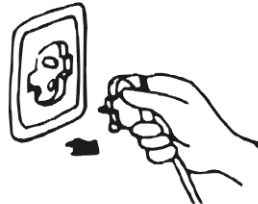
Do not allow children to play with the controls or drop any objects into the air outlet.



Do not place objects or let any person sit on top of the unit.



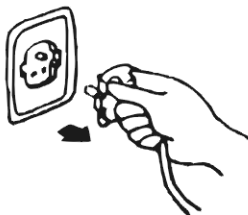
Always turn the unit off and remove the power plug from the socket when cleaning.



Do not attempt to remove any part of the casing unless by a authorized technician.



Remove the plug from the socket if the unit is not being used for a long Period of time.



Use only the correct power supply AC220-240V/50Hz



Do not operate the unit with a damaged plug or loose socket point.



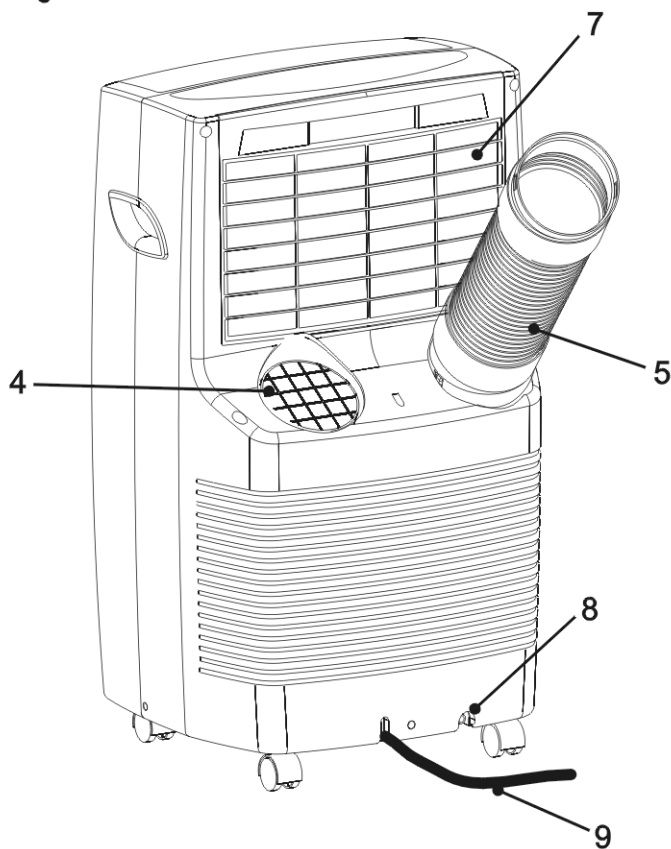
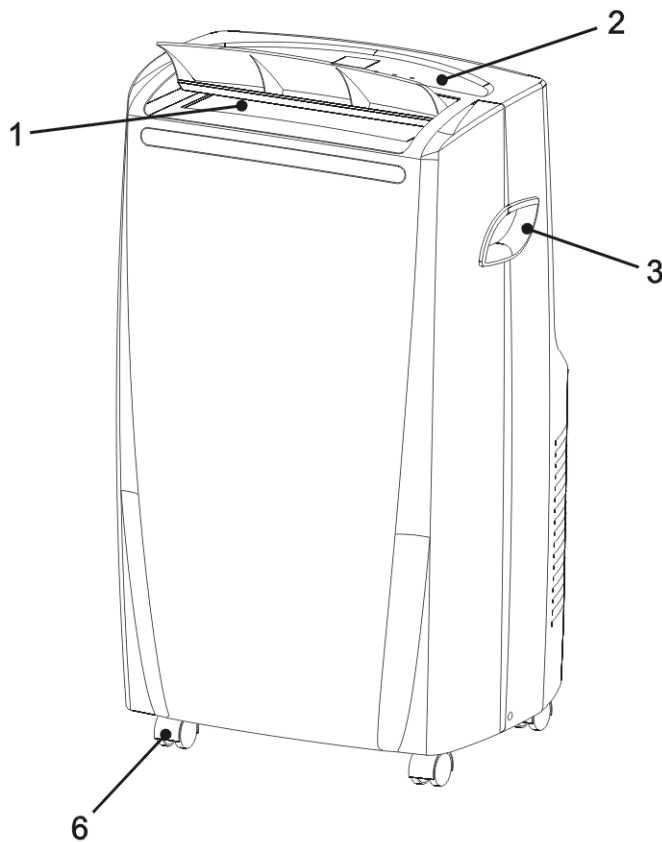
Make sure that the back of the unit is at least 10cm or more from a wall.
Do not place the unit in front of curtains or drapes incase they fall against the back air intake.
Rout the power cord carefully to avoid a tripping hazard.

WARNING

- If the power cord on this unit is damaged it must be replaced by the manufacturer , its service agent or qualified persons in order to avoid a hazard .
- This appliance is not intended for use by children or other persons without assistance or supervision if their physical, sensory or mental capabilities prevent them from using it safely. Children should be supervised to ensure that they do not play with the appliance.
- This appliance is intended for domestic use only, any other use may invalidate the warranty and might be dangerous.

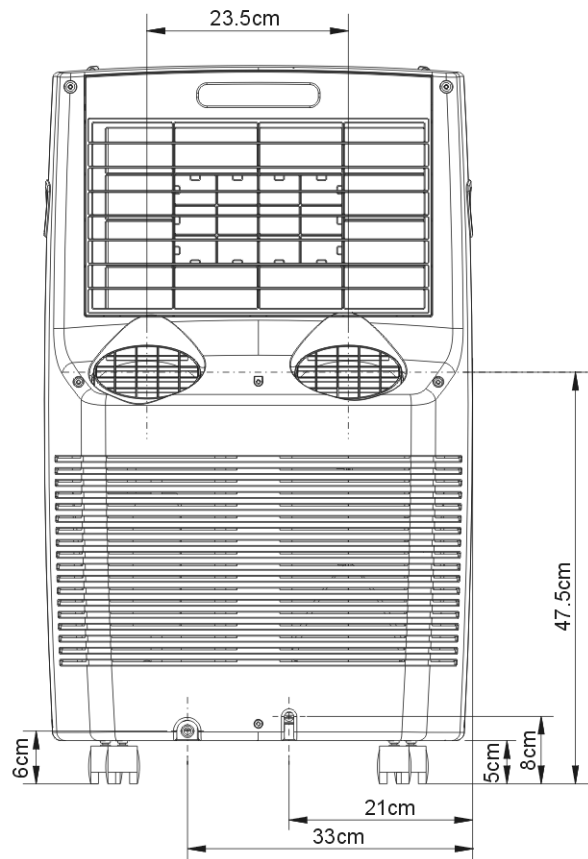
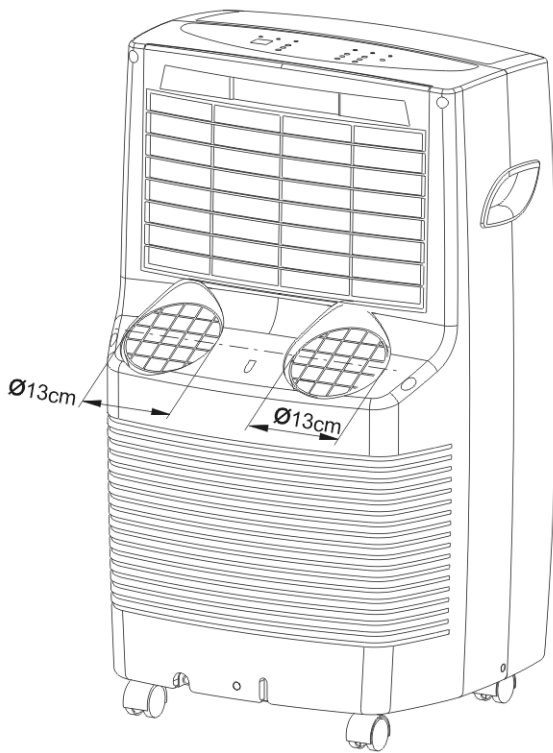
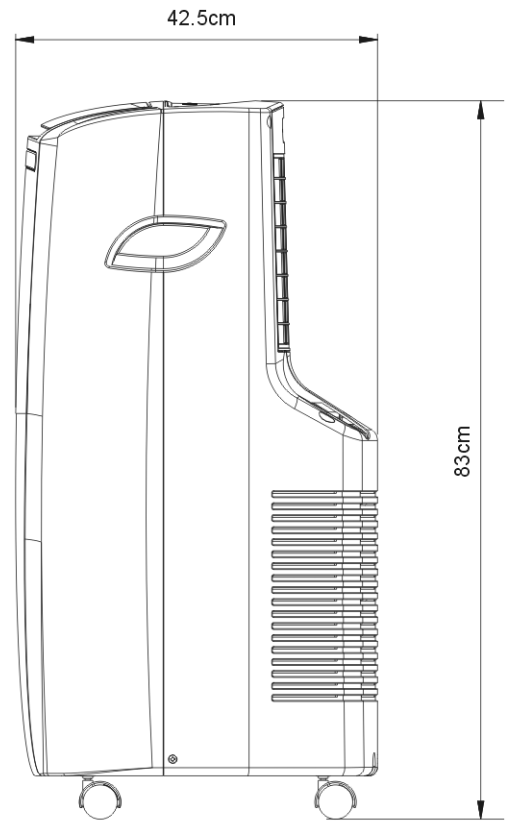
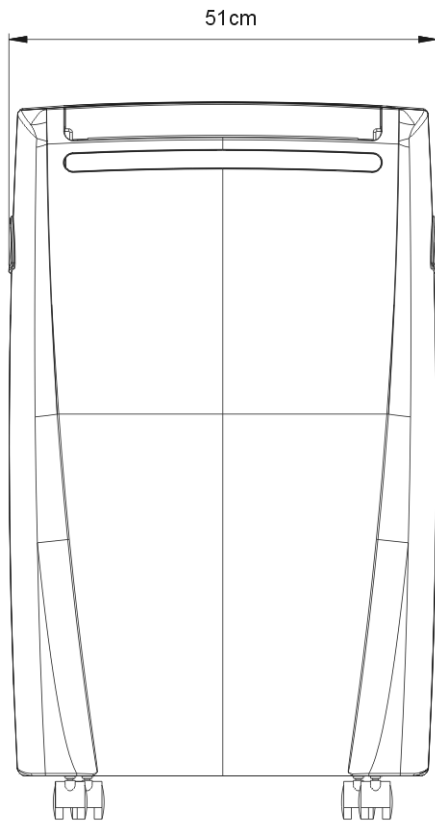
Identification of parts

Identification of parts



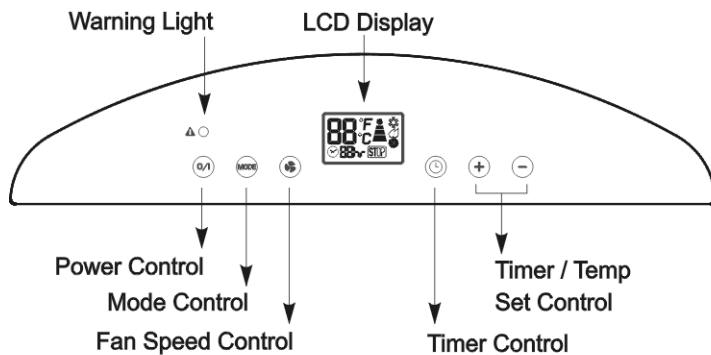
- 1. Air outlet**
- 2. Control panel**
- 3. Handle hole**
- 4. Air inlet**
- 5. Air outlet hose**
- 6. Casters**
- 7. Air intake (Evaporator)**
- 8. Water outlet drain**
- 9. Power supply cord**

Outline dimensions



Operation

Control Panel



Indication symbols on LCD :

- Cooling mode
- Dehumidify mode
- Fan only mode
- Display set temperature
- Warning light the machine will stop running
- Display timer setting of auto switch on/off
- High fan speed
- Med fan speed
- Low fan speed

Power Control

The power control turns the unit on and off.

Warning Light

Condensed water may accumulate in the unit. If the internal tank becomes full, the Warning signal in the LCD Display will light up and the unit will not operate until the unit has been drained.

Mode Control

The Mode Control has 3 settings:

- Cool ● Dehumidify ● Fan

The settings are adjusted with Mode Control button. A light will indicate which setting is currently being used.

• Cooling Mode

When cool mode is selected, "❄" will show in the LCD Display, During the cooling mode the air is cooled and hot air is exhausted to the outside through the exhaust tube. Adjust fan speed and air temperature to suit your desired comfort level.

Note : The air exchange hoses must vent outside the room when using cool mode.

• Dehumidify Mode

When Dehumidify mode is selected, "💧" will show in the LCD Display. Air is dehumidified as it passes through the unit, without being in full cooling mode. If room temperature is higher than 25°C, fan speed can be adjusted; otherwise fan speed is fixed to "Low".

Note : If the unit is to be used as a dehumidifier, do not connect the exhaust hose let the warm air return to the room. Continuous drainage is then necessary.

• Fan Mode

When fan mode is selected, "🌀", "🌀" or "🌀" will be shown in the LCD Display, air is circulated throughout the room with no cooling.

Note: unit does not need to be vented in Fan mode

Fan Speed Control

The Fan Speed Control has 3 settings: High, Medium, and Low.

Timer

Auto turn off :

With machine in running mode, press timer button for setting timer control. Press "+" or "-" to select number of hours you would like the unit to run before it automatically shuts off.

Auto turn on :

With machine in stand by mode, press timer button for setting timer control. Press "+" or "-" to select number of hours before the unit automatically starts running in airconditioning mode.

Note : The time is adjustable between 1~24 hours.

Temperature controls

- Used for adjusting the thermostat.
 - The default display is room temperature.
 - In cooling mode, when "+" or "-" button is pressed, the set temperature is displayed and may be adjusted. After 15 seconds the display will revert back to room temperature. Temperature is only adjustable in cool mode.
- Note : By pressing both "+" / "-" buttons at the same time for more than 3 seconds, the display will toggle between Celsius and Fahrenheit.**

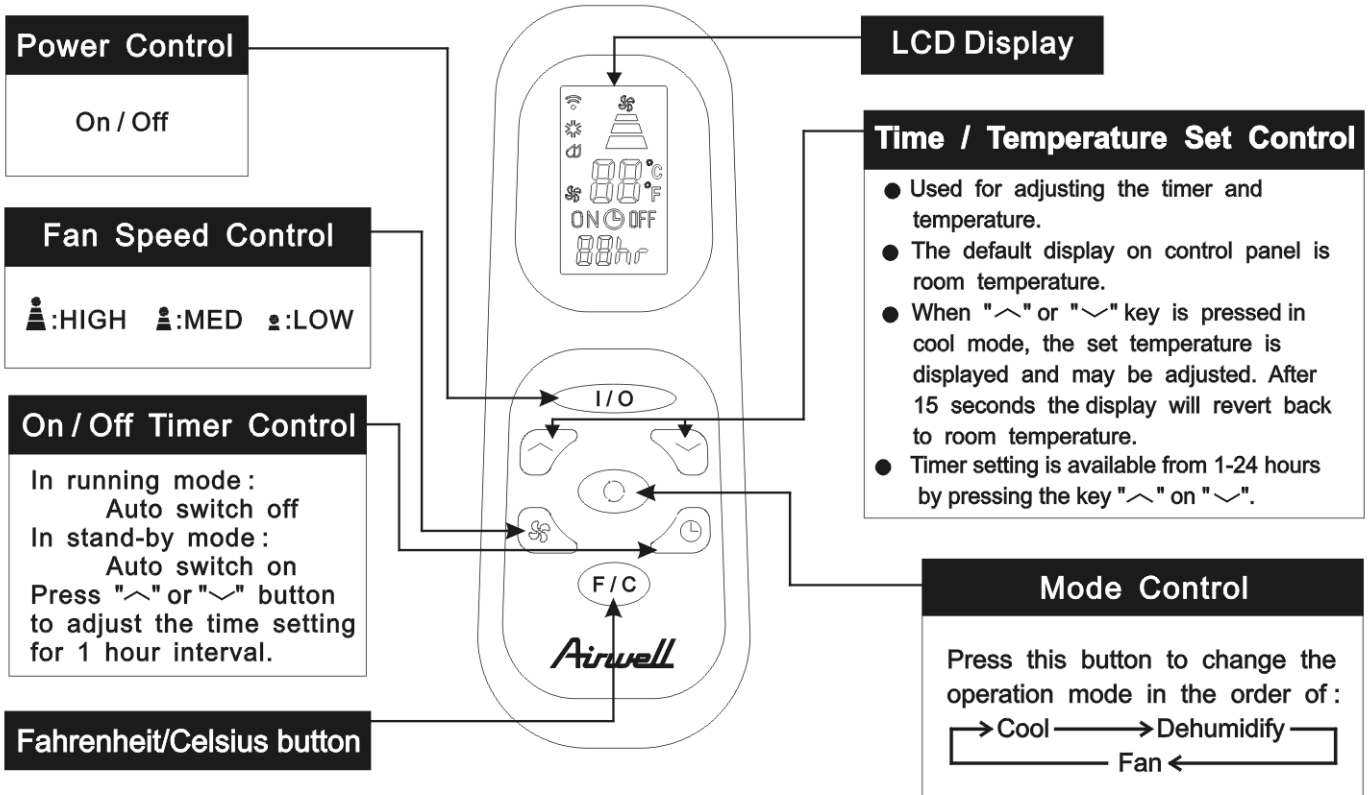
After switching the air conditioner off, you must wait 3 minutes before switching it back on again.

Operation

Air Conditioner Remote Control

The functions work the same as your air conditioner's touch controls.
All key function can be accessed from the remote control.

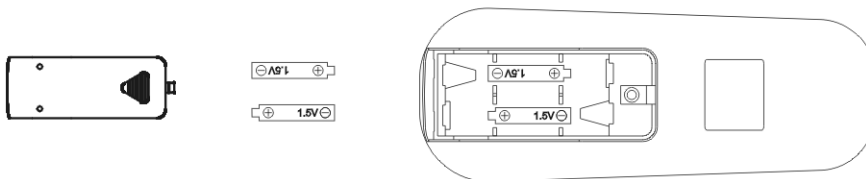
CONTROL PANEL



Notes

- Do not drop the remote control.
- Do not place the remote control in a location exposed to direct sunlight.
- The remote control should be placed about 1 meter or more away from TV, or any electrical appliances.

Battery replacement : Remove the cover on the back of the remote control and insert the batteries with the (+) and (-) poles pointing in the proper direction.

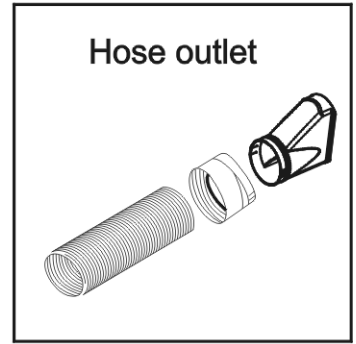


CAUTION

- Use only AAA or IEC R03 1.5V batteries.
- Remove the batteries if the remote control is not used for a month or longer.
- Do not attempt to recharge the supplied batteries.
- All batteries should be replaced at the same time, do not mix old battery.
- Do not dispose of the batteries in a fire as they may explode.

Installation instructions

Connect exhaust hose assembly to the back of the unit. Extend hose to desired length and locate the exhaust nozzle through the window for ventilation.

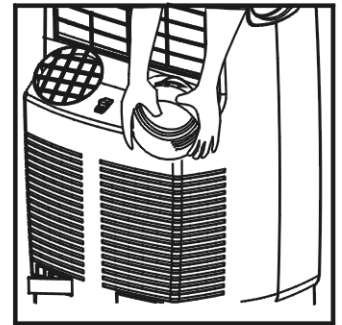
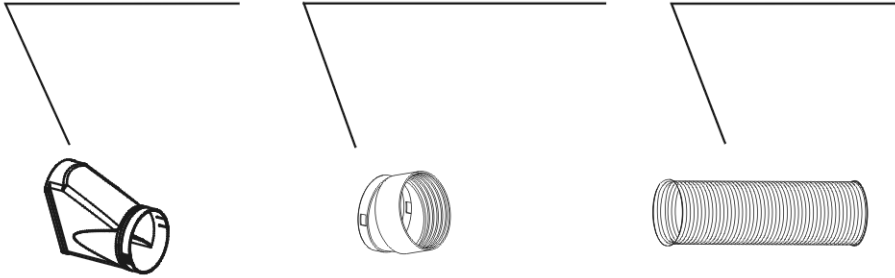


EXHAUST DUCT SET ASSEMBLY AND INSTALLATION

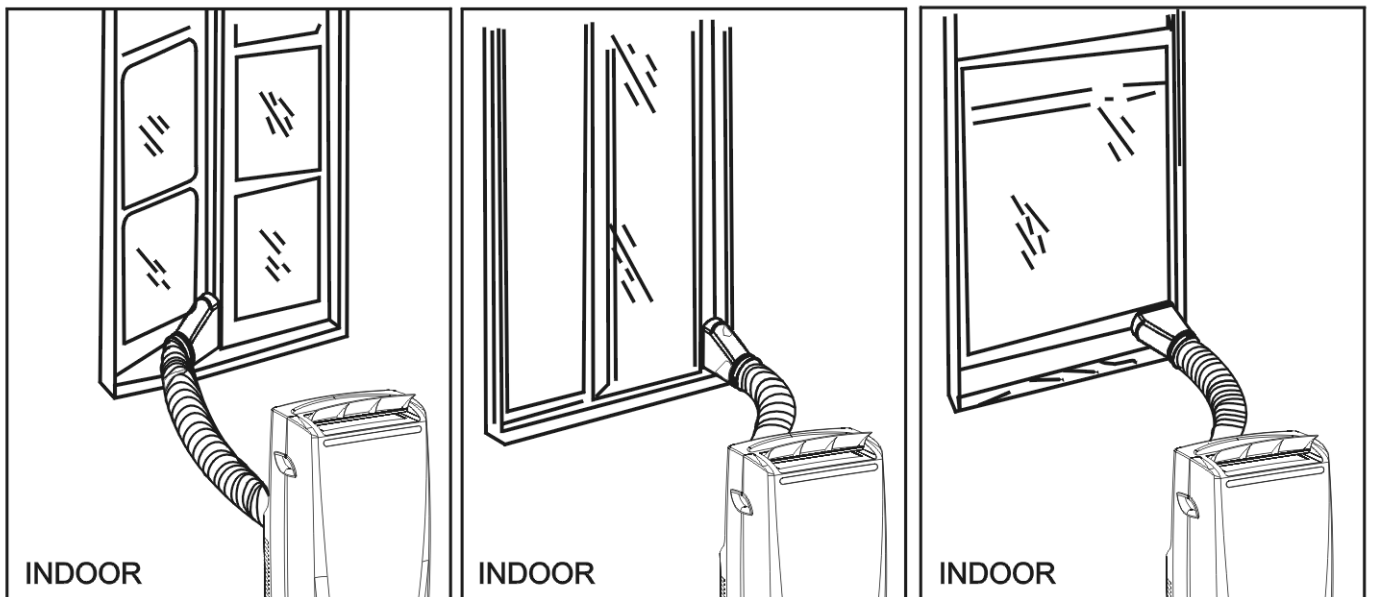
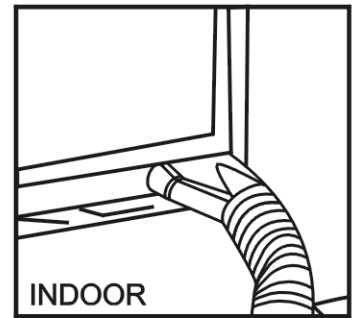
Exhaust nozzle

Exhaust nozzle connector (2PCS)

Exhaust hose



1. Insert both ends of the Exhaust hose into the two Exhaust nozzle connectors by twisting anti-clockwise until it stops.
2. Fix one of the nozzle connector onto the rear outlet of the unit. This is achieved by sliding the nozzle connector of the hose downwards over the exhaust outlet of the unit ensuring that the lugs on the nozzle connector are engaged with the grooves on the connector of unit.
3. Fix another exhaust nozzle to the exhaust nozzle connector.
4. Extend the Exhaust hose and close the window as far as possible trapping the exhaust nozzle as below shown.



Installation instructions

AIR CONDITIONING WITH INSTALLATION

If required, your appliance can also be installed semi permanently (Fig.1)

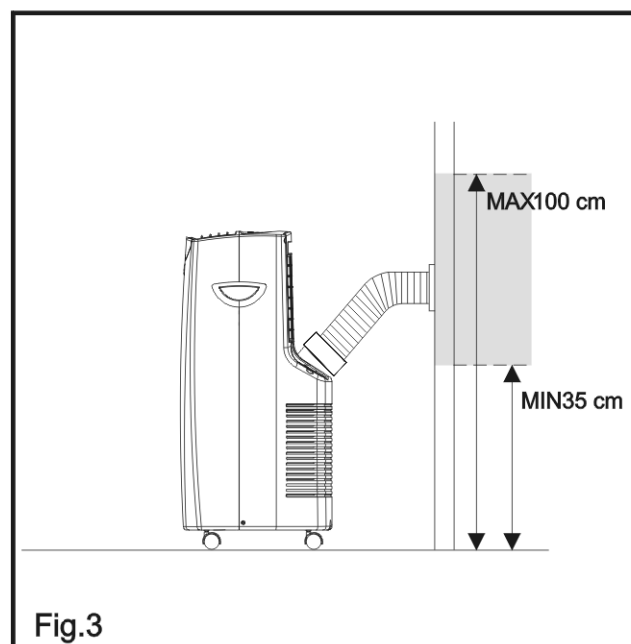
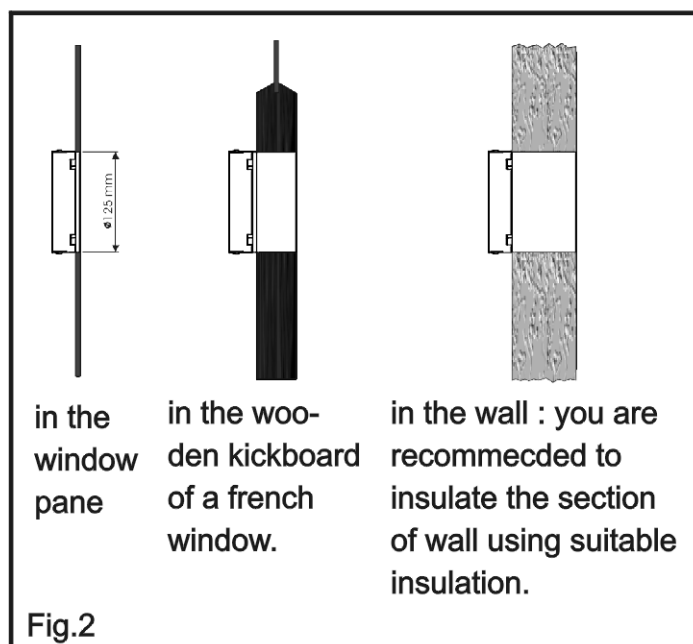
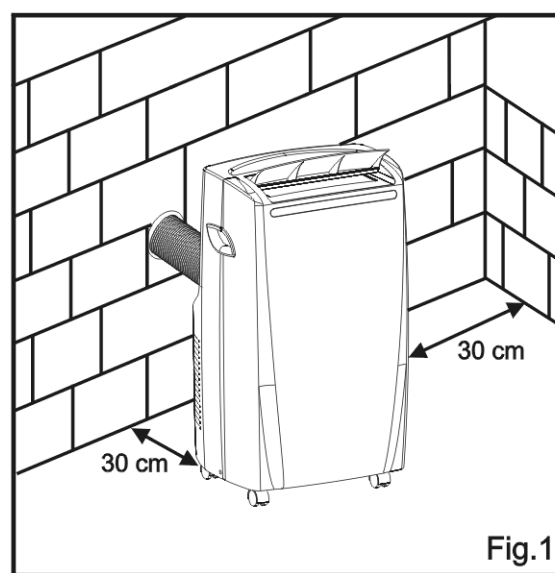
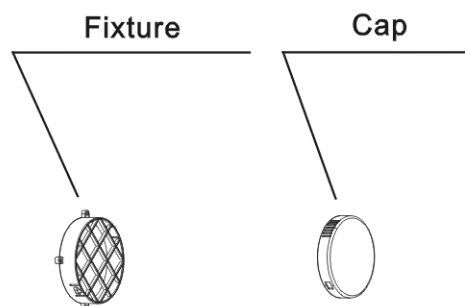
Proceed as follows :

- Drill a hole in an outside wall or through a window pane.
Respect the height and dimensions of the hole given in Fig. 2.
- Fit the flange accessory fixture provided in the hole.
- Fit the exhaust hose in the housing at the back of the appliance.
- Insert the other end of the exhaust hose to the flange previously fit on the wall as shown in Fig.3.

When the hose is not in use, place the cap for connector to cover the hole.

NOTE :

When installing the air conditioner semi permanently, you should leave a door slightly open (as little as 1cm) to guarantee sufficient ventilation.



Troubleshooting

The following cases may not always be a malfunction, please check it before asking for service.

Trouble	Analysis
Does not run	<ul style="list-style-type: none">· If the protector trip or fuse is blown, please wait for.· Please wait for 3 minutes and start again, protector device may be preventing unit from working.· If batteries in the remote control are used up.· If the plug is not properly plugged.
Stops running during operation	<ul style="list-style-type: none">· If the set temperature is close to room temperature, you can lower the set temperature.· Air outlet be blocked by obstacle. Take the obstacle away.
Runs but does not cool	<ul style="list-style-type: none">· If the door or window open.· If there is other heater appliance work nearby, like heater or lamp, etc...· The air filter is dirty, please clean it.· Air outlet or intake be blocked.· Set temperature is too high.
Does not run and water full indicator is lit	<ul style="list-style-type: none">· Drain the water into a prepared container by the drainage pipe on the rear panel of the unit. If it still doesn't work, please consult a qualified technician.

Troubleshooting

Appliance maintenance

1 Cut off the power supply

Turn off the appliance first before disconnecting from power supply



2 Wipe with a soft ant dry cloth.

If unit is quite dirty use a mild detergent and damp cloth.



3 Never use volatile substance such as gasoline or polishing powder to clean the appliance.



4 Never sprinkle water onto the main unit.



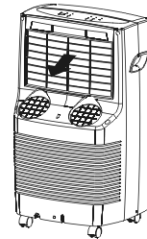
Dangerous!
Electric shock!

Air filter maintenance

It is necessary to clean the air filter after using it for about 100 hours. Clean it as follows:

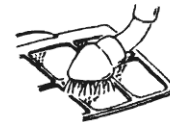
1 Stop the appliance and remove the air filter.

Stop the appliance first, then pull back the air filter.



2 Clean and reinstall the air filter

If the dirt is conspicuous, wash it with a solution of detergent in lukewarm water. After cleaning, dry it in a shaded and cool place, then reinstall it...



3 Clean the air filter every two weeks If the air conditioner operates in an extremely dusty environment.

Maintenance after using

- 1.If the appliance will not be used for a long time, be sure to pull out the rubber plug of the drain port underside, in order to drain the water.
- 2.Before storing away run the unit in fan mode only for few hours to dry any moisture on the coils to prevent mold.
- 3.Stop the appliance and pull out the power supply plug, then take out the batteries of remote controller and keep it in a safe place.
- 4.Clean the air filter and reinstall it.
- 5.Remove the air hoses and keep them in a safe place, and cover the hole tightly.

Specifications

- Figures noted, in the contents are for reference only; variation may result due to application in different countries or regions, and shall be based on the best of practical operation.

Model	AELIA 9A	AELIA 12A
Description of product	Air Conditioner	
Voltage/Frequency	AC 220-240V ~ 50Hz	
Input power (Cooling)	1000 W	1400 W
Cooling capacity	2.65 kW	3.50 kW
Dehumidifying capacity	1.6 L/hour	2.0 L/hour
Coolant	R-410A	
Timer	24 hour	
Dimensions (W) X(H)X (D)	510 X 830 X 425 mm	
Weight	34 kg	37 kg

Do not vent R410A into atmosphere: R410A is a fluorinated greenhouse gas, covered by Kyoto Protocol, with a Global Warming Potential (GWP) = 1975.

"Waste electrical products should not be disposed of with household waste. Please recycle where facilities exist. Check with your local authority or retailer for recycling advice."

