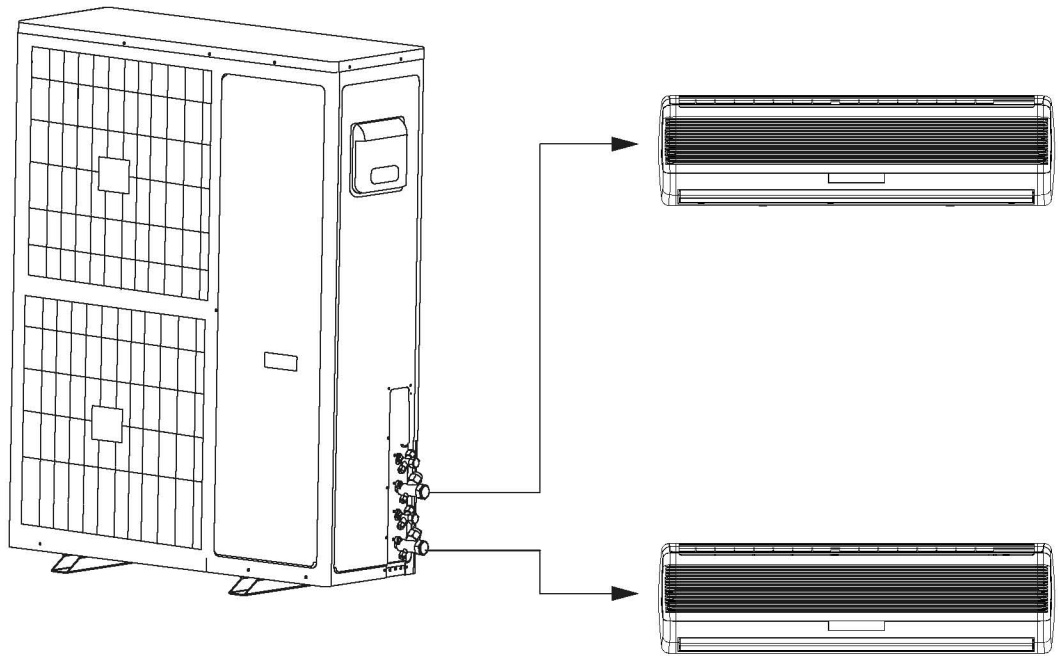


Additional Installation Manual

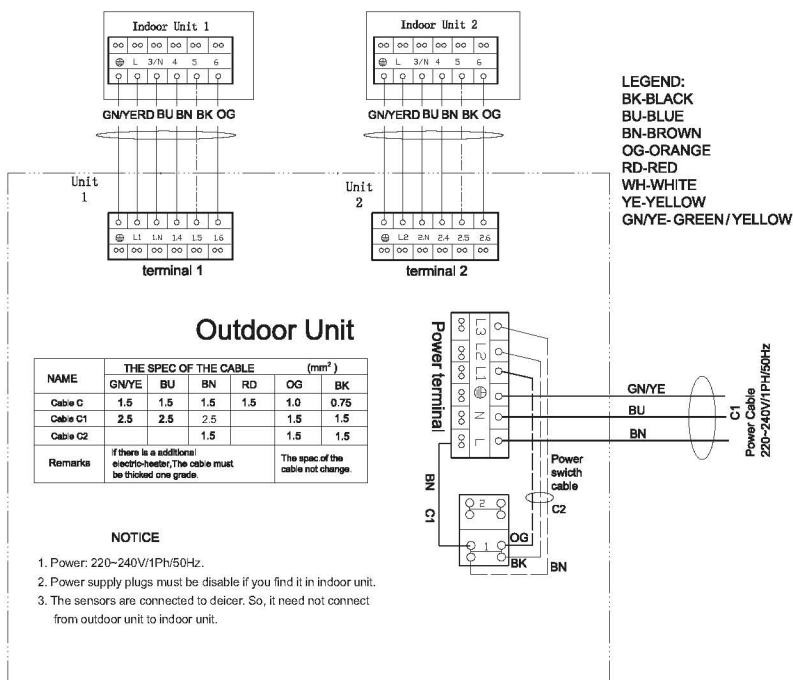
- ❄ *Language: English, French, Greek, Italian, Spanish and Portuguese.*
- ❄ *Wiring diagram.*
- ❄ *Installation dimension.*
- ❄ *The connection tubing between indoor unit and outdoor unit.*
- ❄ *The drawing of refrigerant system.*



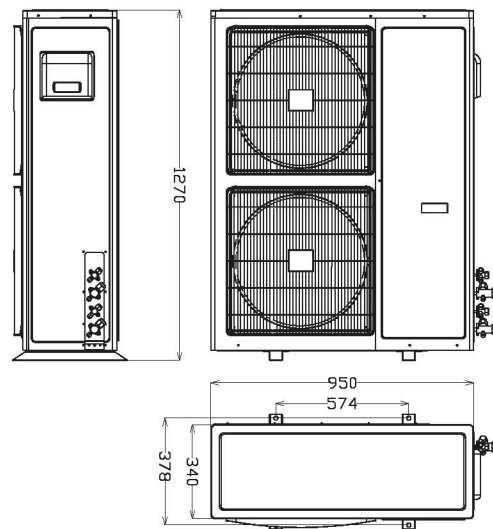
INSTALLATION ADDITIONAL MANUAL

Detail information is in installation manual of indoor unit, the following content is special requirement of duo unit.

1. Wiring diagram

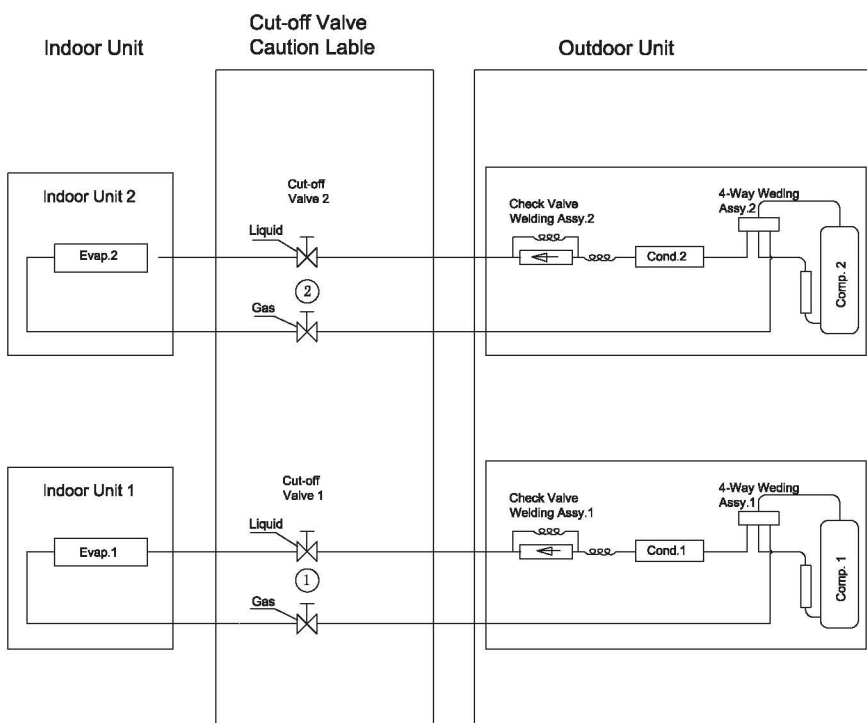


2. Installation dimensions



A

3. The connection tubing between indoor unit and outdoor unit



The Spec. Of Connection Tube	Gas tube		12.7mm	15.88mm
	Liquid tube	WNG		
Cut-off Valve Caution Label	(2)	WNG	6.35mm	9.35mm
	(1)	WNG	18	24
I.D Module	EDC18	18RC	18	24
	EDC24	24RC	18	24
Series	DUO	DUO		

B