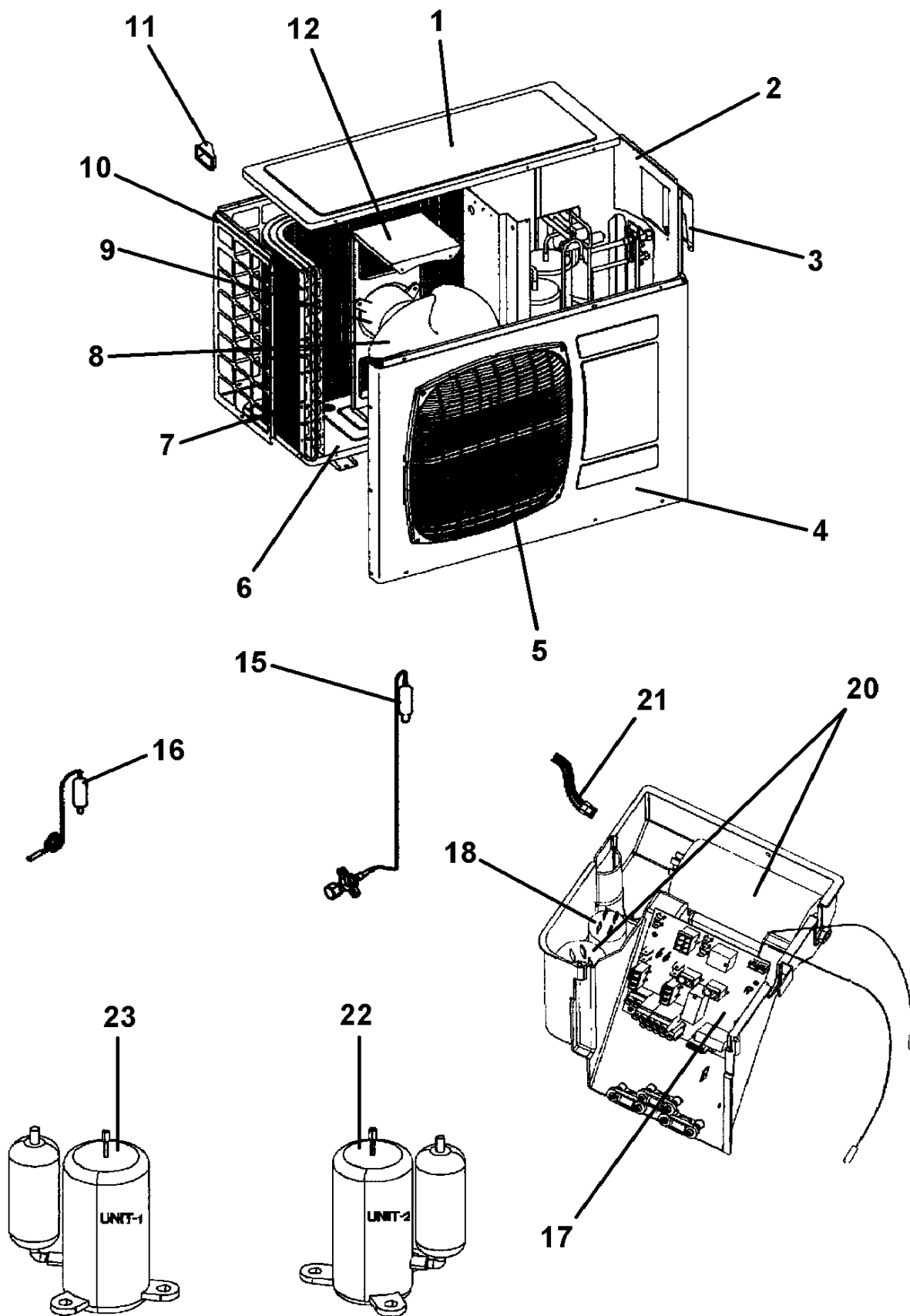


DUO ST



Brand :Airwell Model : DUO 24.24 RC / R410

Product Number : 7SP091140

Internal number : 4403

Version : Heat pump 400/3/50

Spare parts list used

Loc	Spare parts code	Replaced by	Qty	Description	Observation
25	461600008		1	4-way valve assy (unit 1)	
38	461600009		1	4-way valve assy (unit 2)	
28	4524731		1	Back grille	
10	232299		2	Battery probe length 1,40m (black)	
6	464600011		1	Bottom painting assembly	
15	204107		3	Cable clamp	
18	463600004		2	Capillary assembly	
26	4526589		2	Coil reversing valve	
22	453019600		2	Compressor NN21Y	
21	4525867		2	Compressor wire	
42	462300028		1	Condenser bottom	
29	462300027		1	Condenser top	
40	452872000		2	Contacteur (GC3-18S/01TH)	
47	4526184		1	Deicing module	
4	4517740		2	Fan motor Welling YYK60B-6	
2	4522238		1	Front LH panel	
33	4517834		1	Front RH panel	
12	461010008		2	Gas valve 1/2	
1	4517144		2	Grill square	
23	4525681		1	Handle	
32	4517772		1	Handle	
41	4520870		2	Heating resistor compressor	
46	4525816		1	Kickstand	
11	4524176		2	Liquid valve 1/4"	
13	455000102		2	Motor capacitor	
5	4519199		1	Motor support	
31	4523141		2	Nut M10	
35	4519695		1	Phases protection relay	
3	4517004		2	Propeller d=450mm	
27	4526522		2	Reversing valve	
24	4521791		1	RH side panel	
14	4522319		1	Terminal (6 bits)	
36	4522320		1	Terminal (6 bits)	
34	4522322		1	Terminal (6 bits)	Power

Brand :Airwell Model : DUO 24.24 RC / R410

Product Number : 7SP091140

Internal number : 4403

Version : Heat pump 400/3/50

Spare parts list used

Loc	Spare parts code	Replaced by	Qty	Description	Observation
34	4510859		1	Terminal block	
16	4517048		1	Terminal neutral (2 bits)	
30	4517832		1	Top panel	

Brand :Airwell Model : DUO 9.12 / R410

Product Number : 7SP091133

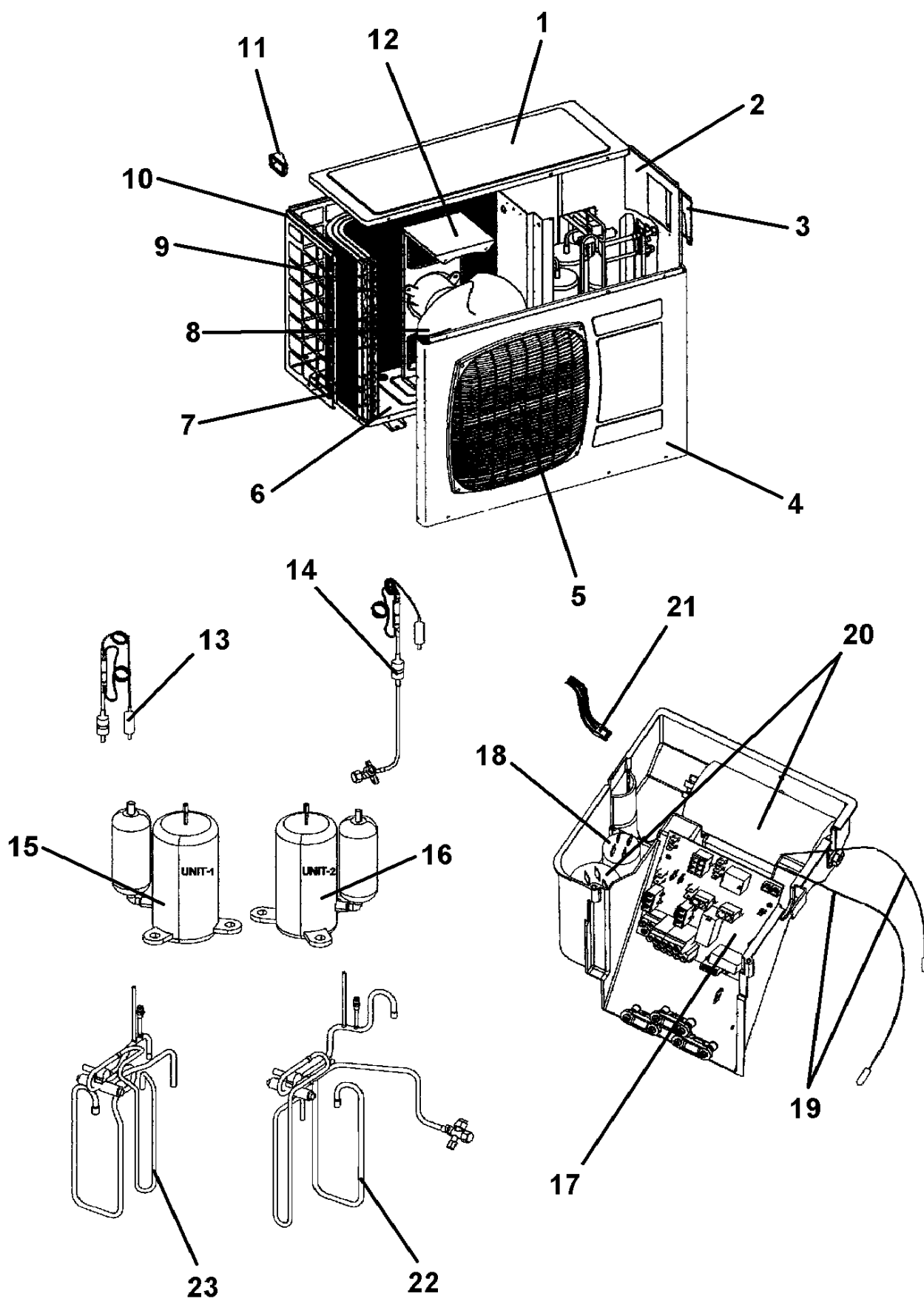
Internal number : 4361

Version : Cooling only 230/1/50

Spare parts list used

Loc	Spare parts code	Replaced by	Qty	Description	Observation
6	439163		1	Bottom	
20	442012		1	Capacitor 30mF/400V	
20	442013		1	Capacitor 35mF/400V	
18	442007		1	Capacitor 6uF/400V	
16	433939		1	Capillary assy (unit 1)	
15	433941		1	Capillary assy (unit 2)	
22	431112		1	Compressor GK113PAL	
23	431111		1	Compressor GK151PAG	
21	435968		2	Compressor wiring	
7	433839		1	Condenser	
3	436357		1	Electrical box panel	
17	402566		1	Electronic card Typhoon 4A6.2	
9	434062		1	Fan motor 86W	
12	439342		1	Fan motor support	
4	439329		1	Front panel	
5	437091		1	Grill square (rounded)	
11	436358	371054	1	Handle	
10	433281		1	LH panel	
8	4529604		1	Propeller D493*143	
2	433280		1	RH panel	
1	437045		1	Top panel	

DUO RC



Brand :Airwell Model : DUO 9.9 RC / R410

Product Number : 7SP091131

Internal number : 4363

Version : Heat pump 230/1/50

Spare parts list used

Loc	Spare parts code	Replaced by	Qty	Description	Observation
19	438079	232273	1	Battery probe length 650mm	
6	433752		1	Bottom assy	
20	442012		2	Capacitor 30mF/400V	
18	442007		1	Capacitor 6uF/400V	
13	433889		1	Capillary assy (unit 1)	
14	433888		1	Capillary assy (unit 2)	
.	442466		2	Coil reversing valve	
16	431112		2	Compressor GK113PAL	
21	435968		2	Compressor wiring	
7	433883		1	Condenser	
3	436357		1	Electrical box panel	
17	402566		1	Electronic card Typhoon 4A6.2	
9	434062		1	Fan motor 86W	
12	439342		1	Fan motor support	
4	439329		1	Front panel	
5	437091		1	Grill square (rounded)	
11	436358	371054	1	Handle	
10	433281		1	LH panel	
19	434716		1	Probe lg 1050mm (coil)	
19	434717		1	Probe lg 470mm	
8	4529604		1	Propeller D493*143	
2	433280		1	RH panel	
1	437045		1	Top panel	
23	433886		1	Tubing+valve assy (unit 1)	
22	433885		1	Tubing+valve assy (unit 2)	

Brand :Airwell Model : DUO 9.12 RC / R410

Product Number : 7SP091132

Internal number : 4364

Version : Heat pump 230/1/50

Spare parts list used

Loc	Spare parts code	Replaced by	Qty	Description	Observation
19	438079	232273	1	Battery probe length 650mm	
6	433752		1	Bottom assy	
20	442012		1	Capacitor 30mF/400V	
20	442013		1	Capacitor 35mF/400V	
18	442007		1	Capacitor 6uF/400V	
13	433890		1	Capillary assy (unit 1)	
14	433888		1	Capillary assy (unit 2)	
.	442466		2	Coil reversing valve	
16	431112		1	Compressor GK113PAL	
15	431111		1	Compressor GK151PAG	
21	435968		2	Compressor wiring	
7	433884		1	Condenser	
3	436357		1	Electrical box panel	
17	402566		1	Electronic card Typhoon 4A6.2	
9	434062		1	Fan motor 86W	
12	439342		1	Fan motor support	
4	439329		1	Front panel	
5	437091		1	Grill square (rounded)	
11	436358	371054	1	Handle	
10	433281		1	LH panel	
19	434716		1	Probe lg 1050mm (coil)	
19	434717		1	Probe lg 470mm	
8	4529604		1	Propeller D493*143	
2	433280		1	RH panel	
1	437045		1	Top panel	
23	433886		1	Tubing+valve assy (unit 1)	
22	433885		1	Tubing+valve assy (unit 2)	

Brand :Airwell Model : DUO 9.12 RC / R410

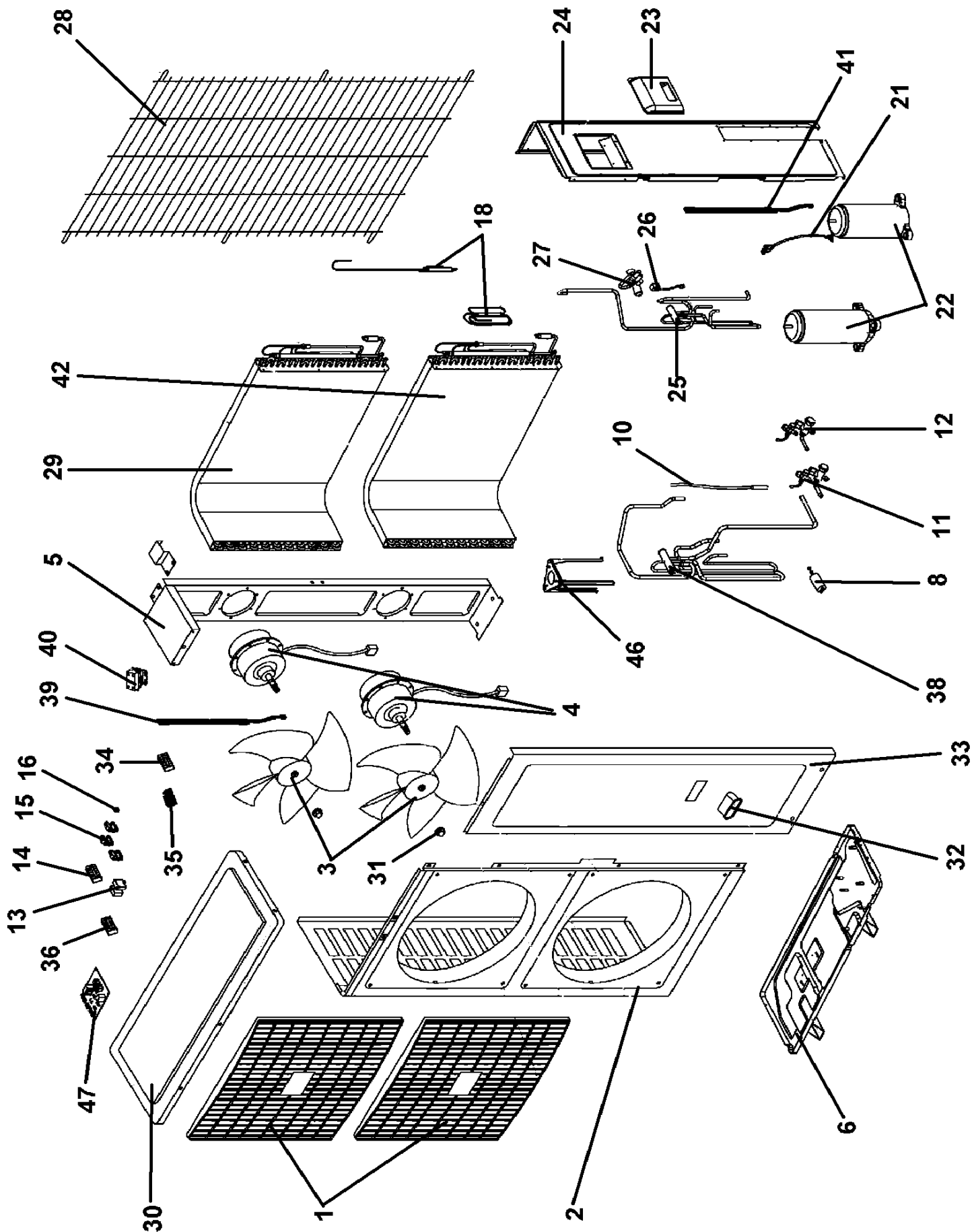
Product Number : 7SP091132

Internal number : 4364

Version : Heat pump 230/1/50

Spare parts list used

Loc	Spare parts code	Replaced by	Qty	Description	Observation
19	438079	232273	1	Battery probe length 650mm	
6	433752		1	Bottom assy	
20	442012		1	Capacitor 30mF/400V	
20	442013		1	Capacitor 35mF/400V	
18	442007		1	Capacitor 6uF/400V	
13	433890		1	Capillary assy (unit 1)	
14	433888		1	Capillary assy (unit 2)	
.	442466		2	Coil reversing valve	
16	431112		1	Compressor GK113PAL	
15	431111		1	Compressor GK151PAG	
21	435968		2	Compressor wiring	
7	433884		1	Condenser	
3	436357		1	Electrical box panel	
17	402566		1	Electronic card Typhoon 4A6.2	
9	434062		1	Fan motor 86W	
12	439342		1	Fan motor support	
4	439329		1	Front panel	
5	437091		1	Grill square (rounded)	
11	436358	371054	1	Handle	
10	433281		1	LH panel	
19	434716		1	Probe lg 1050mm (coil)	
19	434717		1	Probe lg 470mm	
8	4529604		1	Propeller D493*143	
2	433280		1	RH panel	
1	437045		1	Top panel	
23	433886		1	Tubing+valve assy (unit 1)	
22	433885		1	Tubing+valve assy (unit 2)	



Brand :Airwell Model : DUO 18.18 RC / R410

Product Number : 7SP091139

Internal number : 4402

Version : Heat pump 230/1/50

Spare parts list used

Loc	Spare parts code	Replaced by	Qty	Description	Observation
25	461600011		1	4-way valve assy (unit 1)	
38	461600012		1	4-way valve assy (unit 2)	
28	4524731		1	Back grille	
10	232299		2	Battery probe length 1,40m (black)	
6	464600018		1	Bottom painting assembly	
15	204107		3	Cable clamp	
18	463600004		2	Capillary assembly	
41	452988900		2	Casing resistor	
26	4526589		2	Coil reversing valve	
8	455000506		2	Compressor capacitor	
22	453089900		2	Compressor PA200X2CS-4KU1	
21	4525867		2	Compressor wire	
42	462300028		1	Condenser bottom	
29	462300027		1	Condenser top	
40	4524907		2	Contacto CJX9B-25S/01	
39	4525784		2	Contacto wire	
47	4526184		1	Deicing module	
4	4517740		2	Fan motor Welling YYK60B-6	
2	4522238		1	Front LH panel	
33	4517834		1	Front RH panel	
12	461010008		2	Gas valve 1/2	
1	4517144		2	Grill square	
23	4525681		1	Handle	
32	4517772		1	Handle	
46	4525816		1	Kickstand	
11	4524176		2	Liquid valve 1/4"	
13	455000102		2	Motor capacitor	
5	4519199		1	Motor support	
31	4523141		2	Nut M10	
3	4517004		2	Propeller d=450mm	
27	4526522		2	Reversing valve	
24	4521791		1	RH side panel	
36	4522320		1	Terminal (6 bits)	
14	4522319		1	Terminal (6 bits)	

Brand :Airwell Model : DUO 18.18 RC / R410

Product Number : 7SP091139

Internal number : 4402

Version : Heat pump 230/1/50

Spare parts list used

Loc	Spare parts code	Replaced by	Qty	Description	Observation
34	4522322		1	Terminal (6 bits)	Power
34	4510859		1	Terminal block	
16	4517048		1	Terminal neutral (2 bits)	
30	4517832		1	Top panel	

Brand :Airwell Model : DUO 18.18 RC / R410

Product Number : 7SP091139

Internal number : 4402

Version : Heat pump 230/1/50

Spare parts list used

Loc	Spare parts code	Replaced by	Qty	Description	Observation
25	461600011		1	4-way valve assy (unit 1)	
38	461600012		1	4-way valve assy (unit 2)	
28	4524731		1	Back grille	
10	232299		2	Battery probe length 1,40m (black)	
6	464600018		1	Bottom painting assembly	
15	204107		3	Cable clamp	
18	463600004		2	Capillary assembly	
41	452988900		2	Casing resistor	
26	4526589		2	Coil reversing valve	
8	455000506		2	Compressor capacitor	
22	453089900		2	Compressor PA200X2CS-4KU1	
21	4525867		2	Compressor wire	
42	462300028		1	Condenser bottom	
29	462300027		1	Condenser top	
40	4524907		2	Contacto CJX9B-25S/01	
39	4525784		2	Contacto wire	
47	4526184		1	Deicing module	
4	4517740		2	Fan motor Welling YYK60B-6	
2	4522238		1	Front LH panel	
33	4517834		1	Front RH panel	
12	461010008		2	Gas valve 1/2	
1	4517144		2	Grill square	
23	4525681		1	Handle	
32	4517772		1	Handle	
46	4525816		1	Kickstand	
11	4524176		2	Liquid valve 1/4"	
13	455000102		2	Motor capacitor	
5	4519199		1	Motor support	
31	4523141		2	Nut M10	
3	4517004		2	Propeller d=450mm	
27	4526522		2	Reversing valve	
24	4521791		1	RH side panel	
36	4522320		1	Terminal (6 bits)	
14	4522319		1	Terminal (6 bits)	

Brand :Airwell Model : DUO 18.18 RC / R410

Product Number : 7SP091139

Internal number : 4402

Version : Heat pump 230/1/50

Spare parts list used

Loc	Spare parts code	Replaced by	Qty	Description	Observation
34	4522322		1	Terminal (6 bits)	Power
34	4510859		1	Terminal block	
16	4517048		1	Terminal neutral (2 bits)	
30	4517832		1	Top panel	