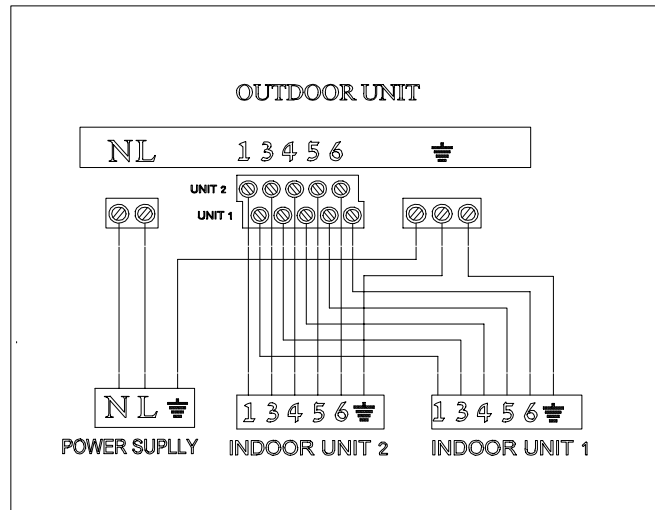


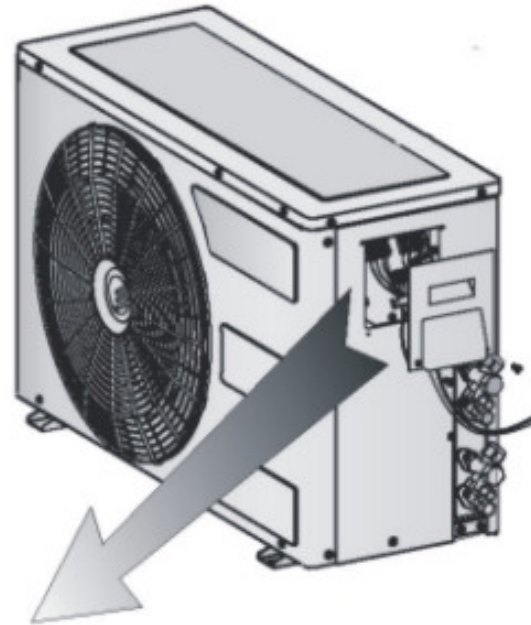
ADDITIONAL PAGE FOR MULTI SPLIT UNITS INSTALLATION

Detail information is in installation manual of indoor unit
the following content is special requirement of duo outdoor unit.

1. Wiring Diagram



2. Outdoor unit



3. Electrical connections between Outdoor unit and two indoor units

1. To connect the indoor unit with the outdoor unit use the following electrical cables
Multiple wire cable: 6 wires x 1.5mm²
2. at outdoor unit side:
 - a. Wire connector of the outdoor unit to the multiple wire power cables and insert into the terminal end connector in the outdoor unit.
 - b. Connect the yellow/green ground wire power cables with the cable clamp
 - c. Secure multiple wire power cable with the cable clamps

Attention!

1. For multi-split units, remove power supply cord from indoor unit.
Connect main supply to outdoor unit only!
2. Do not remove resistors which are connected to points 8 9 from indoor.