

2003

TH 3545

**Brand :Airwell Model : DUO 9.9**

Product Number : 7SP091105

Internal number : 3173

Version : Cooling only 230/1/50

**Spare parts list used**

Loc	Spare parts code	Replaced by	Qty	Description	Observation
5	4519461		1	Bottom	
11	204107		3	Cable clamp	
9	4517992		2	Capacitor 25uF/440V	
10	4518883		1	Capacitor 4uF	
24	4520502		1	Capillary assembly	circuit N°2
23	4520501		1	Capillary assembly	circuit N°1
15	94516356	452982100	2	Compressor Toshiba PH170X1C-4FS2	
17	4520267		2	Compressor wiring	
33	4520705		1	Condenser	
25	372265	436357	1	Electrical box panel	
35	4520261		1	Fan motor	
2	4517029		1	Front LH panel	
6	94516786		1	Front RH panel	
21	4519715		2	Gas valve	
1	4517144		1	Grill square	
29	4516758		1	Handle	
22	4520353		2	Liquid valve	
13	4520264		1	Main Terminal block	
34	4516984		1	Motor support	
36	4517292		1	Motor support (left)	
32	4517293		1	Motor support (right)	
4	4523141		1	Nut M10	
12	4520263		1	Power terminal block	
3	4517004		1	Propeller d=450mm	
28	94516777		1	Rear left grill	
31	4520319		1	Refrigerant filter assy	circuit N°2
30	4520320		1	Refrigerant filter assy	circuit N°1
27	4519462		1	Side panel	
37	4516788		1	Top panel	
19	4516178		1	Valve support	

**Brand :Airwell Model : DUO 9.12**

Product Number : 7SP091101

Internal number : 3175

Version : Cooling only 230/1/50

**Spare parts list used**

Loc	Spare parts code	Replaced by	Qty	Description	Observation
5	4519461		1	Bottom	
9	4517992		1	Capacitor 25uF/440V	compr. N°1
10	4517993		1	Capacitor 35uF/450V	compr. N°2
11	4518883		1	Capacitor 4uF	
24	4520506		1	Capillary assembly	circuit N°2
23	4520505		1	Capillary assembly	circuit N°1
15	94516356	452982100	1	Compressor Toshiba PH170X1C-4FS2	compr. N°1
32	94516422		1	Compressor Toshiba PH225X2C-4FS2	compr. N°2
16	4520267		2	Compressor wiring	
33	4520706		1	Condenser	
25	372265	436357	1	Electrical box panel	
35	4520261		1	Fan motor	
2	4517029		1	Front LH panel	
6	94516786		1	Front RH panel	
20	4519714		1	Gas valve	circuit N°2
21	4519715		1	Gas valve	circuit N°1
1	4517144		1	Grill square	
29	4516758		1	Handle	
22	4520353		2	Liquid valve	
13	4520264		1	Main Terminal block	
34	4516984		1	Motor support	
4	4523141		1	Nut M10	
12	4520263		1	Power terminal block	
3	4517004		1	Propeller d=450mm	
28	94516777		1	Rear left grill	
31	4520320		1	Refrigerant filter assy	circuit N°1
30	4520319		1	Refrigerant filter assy	circuit N°2
27	4519462		1	Side panel	
37	4516788		1	Top panel	
19	4516178		1	Valve support	

**Brand :Airwell Model : DUO 12.12**

Product Number : 7SP091103

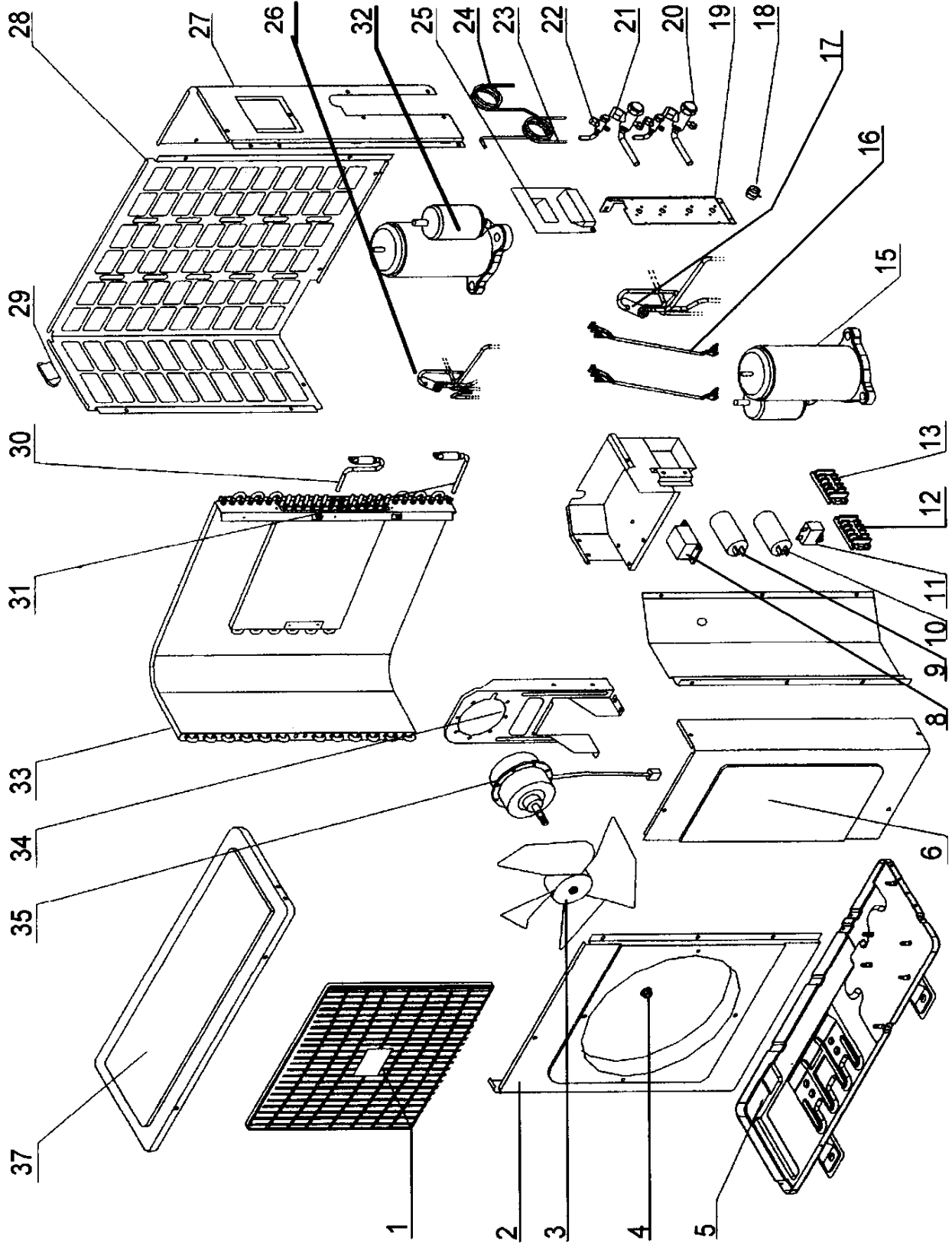
Internal number : 3174

Version : Cooling only 230/1/50

**Spare parts list used**

Loc	Spare parts code	Replaced by	Qty	Description	Observation
5	4519461		1	Bottom	
11	204107		3	Cable clamp	
9	4517993		2	Capacitor 35uF/450V	
10	4518883		1	Capacitor 4uF	
24	4520504		1	Capillary assembly	
23	4520503		1	Capillary assembly	
15	94516422		2	Compressor Toshiba PH225X2C-4FS2	
17	4520267		2	Compressor wiring	
33	4520707		1	Condenser	
25	372265	436357	1	Electrical box panel	
35	4520261		1	Fan motor	
2	4517029		1	Front LH panel	
6	94516786		1	Front RH panel	
21	4519714		2	Gas valve	
1	4517144		1	Grill square	
29	4516758		1	Handle	
22	4520353		2	Liquid valve	
13	4520264		1	Main Terminal block	
34	4516984		1	Motor support	
36	4517292		1	Motor support (left)	
32	4517293		1	Motor support (right)	
4	4523141		1	Nut M10	
12	4520263		1	Power terminal block	
3	4517004		1	Propeller d=450mm	
28	94516777		1	Rear left grill	
31	4520319		1	Refrigerant filter assy	
30	4520320		1	Refrigerant filter assy	
27	4519462		1	Side panel	
37	4516788		1	Top panel	
19	4516178		1	Valve support	

# DUO 7+7RC - 9+9RC - 9+12RC - 12+12RC



**Brand :Airwell Model : DUO 7.7 RC**

Product Number : 7SP091099

Internal number : 3168

Version : Heat pump 230/1/50

**Spare parts list used**

Loc	Spare parts code	Replaced by	Qty	Description	Observation
5	4520451		1	Bottom	
11	204107		3	Cable clamp	
9	4517992		2	Capacitor 25uF/440V	
10	4518883		1	Capacitor 4uF	
18	4516114		2	Coil reversing valve	
15	4514023		2	Compressor Matsushita 2P14C225ANA/230V	
17	4520267		2	Compressor wiring	
33	4520313		1	Condenser	
8	4520556		1	Deicing module TMQ24V1.2	
25	372265	436357	1	Electrical box panel	
35	4520261		1	Fan motor	
2	4517029		1	Front LH panel	
6	94516786		1	Front RH panel	
21	4519715		2	Gas valve	
1	4517144		1	Grill square	
29	4516758		1	Handle	
22	4520353		2	Liquid valve	
13	4520264		1	Main Terminal block	
34	4516984		1	Motor support	
36	4517292		1	Motor support (left)	
32	4517293		1	Motor support (right)	
4	4523141		1	Nut M10	
12	4520263		1	Power terminal block	
.	4520443		2	Probe (black)	
3	4517004		1	Propeller d=450mm	
28	94516777		1	Rear left grill	
31	4520319		1	Refrigerant filter assy	
30	4520320		1	Refrigerant filter assy	
16	4520490		2	Reversing valve+coil+tubing	
26	4520491		1	Reversing valve+tubing	
27	4519462		1	Side panel	
23	4520411		1	Single-way valve+capillary assy	
24	4520498		1	Single-way valve+capillary assy	
37	4516788		1	Top panel	

**Brand :Airwell Model : DUO 7.7 RC**

Product Number : 7SP091099

Internal number : 3168

Version : Heat pump 230/1/50

**Spare parts list used**

<b>Loc</b>	<b>Spare parts code</b>	<b>Replaced by</b>	<b>Qty</b>	<b>Description</b>	<b>Observation</b>
19	4516178		1	Valve support	

**Brand :Airwell Model : DUO 9.9 RC**

Product Number : 7SP091100

Internal number : 3169

Version : Heat pump 230/1/50

**Spare parts list used**

Loc	Spare parts code	Replaced by	Qty	Description	Observation
5	4519461		1	Bottom	
11	204107		3	Cable clamp	
9	4517992		2	Capacitor 25uF/440V	
10	4518883		1	Capacitor 4uF	
18	4516114		2	Coil reversing valve	
15	94516356	452982100	2	Compressor Toshiba PH170X1C-4FS2	
17	4520267		2	Compressor wiring	
33	4520314		1	Condenser	
8	4520556		1	Deicing module TMQ24V1.2	
25	372265	436357	1	Electrical box panel	
35	4520261		1	Fan motor	
2	4517029		1	Front LH panel	
6	94516786		1	Front RH panel	
21	4519715		2	Gas valve	
1	4517144		1	Grill square	
29	4516758		1	Handle	
22	4520353		2	Liquid valve	
13	4520264		1	Main Terminal block	
34	4516984		1	Motor support	
36	4517292		1	Motor support (left)	
32	4517293		1	Motor support (right)	
4	4523141		1	Nut M10	
12	4520263		1	Power terminal block	
.	4520443		2	Probe (black)	
3	4517004		1	Propeller d=450mm	
28	94516777		1	Rear left grill	
31	4520319		1	Refrigerant filter assy	circuit N°2
30	4520320		1	Refrigerant filter assy	circuit N°1
26	4520493		1	Reversing valve+coil+tubing	circuit N°2
16	4520492		1	Reversing valve+tubing	circuit N°1
27	4519462		1	Side panel	
23	4520321		1	Single-way valve+capillary assy	circuit N°1
24	4520499		1	Single-way valve+capillary assy	circuit N°2
37	4516788		1	Top panel	



**Brand :Airwell Model : DUO 9.9 RC**

Product Number : 7SP091100

Internal number : 3169

Version : Heat pump 230/1/50

**Spare parts list used**

<b>Loc</b>	<b>Spare parts code</b>	<b>Replaced by</b>	<b>Qty</b>	<b>Description</b>	<b>Observation</b>
19	4516178		1	Valve support	

**Brand :Airwell Model : DUO 9.12 RC**

Product Number : 7SP091102

Internal number : 3172

Version : Heat pump 230/1/50

**Spare parts list used**

Loc	Spare parts code	Replaced by	Qty	Description	Observation
5	4519461		1	Bottom	
9	4517992		1	Capacitor 25uF/440V	compr. N°1
10	4517993		1	Capacitor 35uF/450V	compr. N°2
11	4518883		1	Capacitor 4uF	
18	4516114		2	Coil reversing valve	
15	94516356	452982100	1	Compressor Toshiba PH170X1C-4FS2	compr. N°1
32	94516422		1	Compressor Toshiba PH225X2C-4FS2	compr. N°2
16	4520267		2	Compressor wiring	
33	4520315		1	Condenser	
8	4520556		1	Deicing module TMQ24V1.2	
25	372265	436357	1	Electrical box panel	
35	4520261		1	Fan motor	
2	4517029		1	Front LH panel	
6	94516786		1	Front RH panel	
21	4519715		1	Gas valve	circuit N°1
20	4519714		1	Gas valve	circuit N°2
1	4517144		1	Grill square	
29	4516758		1	Handle	
22	4520353		2	Liquid valve	
13	4520264		1	Main Terminal block	
34	4516984		1	Motor support	
4	4523141		1	Nut M10	
12	4520263		1	Power terminal block	
.	4520443		2	Probe (black)	
3	4517004		1	Propeller d=450mm	
28	94516777		1	Rear left grill	
31	4520320		1	Refrigerant filter assy	circuit N°1
30	4520319		1	Refrigerant filter assy	circuit N°2
26	4521803		1	Reversing valve+tubing	circuit N°2
17	4520492		1	Reversing valve+tubing	circuit N°1
27	4519462		1	Side panel	
24	4520415		1	Single-way valve+capillary assy	circuit N°2
23	4520414		1	Single-way valve+capillary assy	circuit N°1
37	4516788		1	Top panel	

**Brand :Airwell Model : DUO 9.12 RC**

Product Number : 7SP091102

Internal number : 3172

Version : Heat pump 230/1/50

**Spare parts list used**

<b>Loc</b>	<b>Spare parts code</b>	<b>Replaced by</b>	<b>Qty</b>	<b>Description</b>	<b>Observation</b>
19	4516178		1	Valve support	

**Brand :Airwell Model : DUO 12.12 RC**

Product Number : 7SP091104

Internal number : 3170

Version : Heat pump 230/1/50

**Spare parts list used**

Loc	Spare parts code	Replaced by	Qty	Description	Observation
5	4519461		1	Bottom	
11	204107		3	Cable clamp	
9	4517993		2	Capacitor 35uF/450V	
10	4518883		1	Capacitor 4uF	
18	4516114		2	Coil reversing valve	
15	94516422		2	Compressor Toshiba PH225X2C-4FS2	
17	4520267		2	Compressor wiring	
33	4520315		1	Condenser	
8	4520556		1	Deicing module TMQ24V1.2	
25	372265	436357	1	Electrical box panel	
35	4520261		1	Fan motor	
2	4517029		1	Front LH panel	
6	94516786		1	Front RH panel	
21	4519714		2	Gas valve	
1	4517144		1	Grill square	
29	4516758		1	Handle	
22	4520353		2	Liquid valve	
13	4520264		1	Main Terminal block	
34	4516984		1	Motor support	
36	4517292		1	Motor support (left)	
32	4517293		1	Motor support (right)	
4	4523141		1	Nut M10	
12	4520263		1	Power terminal block	
.	4520443		2	Probe (black)	
3	4517004		1	Propeller d=450mm	
28	94516777		1	Rear left grill	
31	4520319		1	Refrigerant filter assy	
30	4520320		1	Refrigerant filter assy	
26	4520495		1	Reversing valve+tubing	
16	4520494		1	Reversing valve+tubing	
27	4519462		1	Side panel	
23	4520322		1	Single-way valve+capillary assy	
24	4520500		1	Single-way valve+capillary assy	
37	4516788		1	Top panel	

**Brand :Airwell Model : DUO 12.12 RC**

Product Number : 7SP091104

Internal number : 3170

Version : Heat pump 230/1/50

**Spare parts list used**

<b>Loc</b>	<b>Spare parts code</b>	<b>Replaced by</b>	<b>Qty</b>	<b>Description</b>	<b>Observation</b>
19	4516178		1	Valve support	