

Airwell

Service Manual

FWD Series

Indoor Units	Outdoor Units
AWSI-FWD012-N11	GC 12 RC DCI 230V R410 AW
AWSI-FWD018-N11	AWAU-YBD018-H11
AWSI-FWD024-N11	AWAU-YBD024-H11



REFRIGERANT

R410A

HEAT PUMP

SM FWD 1-A.1 GB

DECEMBER - 2010

Version:1

LIST OF EFFECTIVE PAGES

Note: Changes in the pages are indicated by a “Revision#” in the footer of each effected page (when none indicates no changes in the relevant page). All pages in the following list represent effected/ non effected pages divided by chapters.

Dates of issue for original and changed pages are:

Original 01 December 30, 2010

Total number of pages in this publication is 40 consisting of the following:

Page No.	Revision No. #	Page No.	Revision No. #	Page No.	Revision No. #
Title	1				
A.....	1				
i.....	1				
1-1 - 1-3	1				
2-1 - 2-3	1				
3-1.....	1				
4-1 - 4-3	1				
5-1.....	1				
6-1 – 6-5	1				
7-1	1				
8-1 – 8-12.....	1				

* Zero in this column indicates an original page.

Table of Contents

1.	INTRODUCTION	1-1
2.	PRODUCT DATA SHEET.....	2-1
3.	RATING CONDITIONS	3-1
4.	OUTLINE DIMENSIONS.....	4-1
5.	ELECTRICAL DATA.....	5-1
6.	WIRING DIAGRAMS	6-1
7.	REFRIGERATION DIAGRAMS.....	7-1
8.	EXPLODED VIEWS AND SPARE PART LISTS.....	8-1

1. INTRODUCTION

1.1 General

FWD series split ceiling mounted range comprise RC (heat pump) models, as follows:

- AWSI-FWD012-N11// GC 12 RC DCI 230V R410 AW
- AWSI-FWD018-N11// AWAU-YBD018-H11
- AWSI-FWD024-N11// AWAU-YBD024-H11

1.2 Main Features

The FWD series benefits from the most advanced technological innovations, namely:

- DCI R410A models
- Microprocessor control
- Infrared remote control RC8 with LED
- Remote operation By connecting a special cable(7m length) to display box
- Fresh Air & Distribution treated air to adjacent room
- Indoor centrifugal fan
- High COP
- Ability to work on Low room temperature, up to 12°C
- Cooling operation at outdoor temperature down to -10°C
- Easy access to the interconnecting tubing and wiring connections, main control panel can slide out for service
- Automatic treated air sweep
- Low indoor and outdoor noise levels
- Easy installation and service
- Precharged refrigerant up to the max allowing tubing distance of 20m(Model 50/72)

1.3 Indoor Unit

The indoor unit is ceiling mounted, and can be easily fitted to many types of residential and commercial applications.

It includes:

- Coil with hydrophilic aluminum fins.
- Motorized flaps (two step motors)
- Advanced electronic control box assembly (DCI storm)
- Mounting plate

1.4 Filtration

The FWD series presents several types of air filters:

- Easily accessible, and re-usable pre-filters (mesh)

1.5 Control

The microprocessor indoor controller, and an infrared remote control, supplied as standard, provide complete operating function and programming. For further details please refer to the Operation Manual.

1.6 Outdoor Unit

The outdoor units can be installed as floor or wall mounted units by using a wall supporting bracket. The metal sheets are protected by anti- corrosion paint work allowing long life resistance. All outdoor units are pre-charged. For further information please refer to the Product Data Sheet, Chapter 2.

It includes :

- Compressor mounted in a soundproofed compartment :
- Axial fan.
- Outdoor coil with hydrophilic louver fins for RC units.
- Outlet air fan grill.
- Service valves" flare" type connection.
- Interconnecting wiring terminal block.

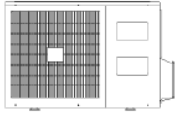
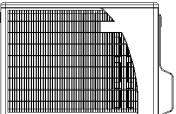
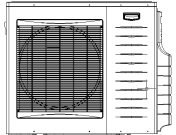
1.7 Tubing Connections

Flare type interconnecting tubing to be produced on site.
For further details please refer to the Installation Manual.

1.8 Inbox Documentation

Each unit is supplied with its own installation, operation and remote control manuals.

1.9 Matching Table

OUTDOOR UNITS	INDOOR UNITS		
	AWSI-FWD012-N11	AWSI-FWD018-N11	AWSI-FWD024-N11
 GC 12 RC DCI 230V R410 AW	√		
 AWAU-YBD018-H11		√	
 AWAU-YBD024-H11			√

2. PRODUCT DATA SHEET

2.1 AWSI-FWD012-N11// GC 12 RC DCI 230V R410 AW

Model Indoor Unit		AWSI-FWD012-N11		
Model Outdoor Unit		GC 12 RC DCI 230V R410 AW		
Installation Method of Pipe		Flared		
Characteristics	Units	Cooling	Heating	
Capacity (4)	Btu/hr	11940(5120~13650)	14330(5120~17060)	
	kW	3.5(1.5~4.0)	4.2(1.5~5.0)	
Power input (4)	kW	1.09(0.46~1.3)	1.31(0.35~1.58)	
EER (Cooling) or COP(Heating) (4)	W/W	3.21	3.21	
Energy efficiency class		A	C	
Extreme cooling capacity(12℃)	kW	2.5	NA	
Power supply	V/Ph/Hz	220-240V/Single/50Hz		
Rated current	A	4.5	5.7	
Starting current	A	10.5		
Circuit breaker rating	A	15		
INDOOR	Fan type & quantity		Centrifugal x 2	
	Fan speeds	H/M/L	RPM	830/760/500
	Air flow (1)	H/M/L	m3/hr	450/400/300
	External static pressure	Min-Max	Pa	0
	Sound power level (2)	H/M/L	dB(A)	56/53/51
	Sound pressure level(3)	H/M/L	dB(A)	45/41/30
	Moisture removal		l/hr	1.5
	Condensate drain tube I.D		mm	16
	Dimensions	WxDxH	mm	820x190x630
	Weight		kg	22
	Package dimensions	WxDxH	mm	890x280x710
	Package weight		kg	26
	Units per pallet		units	14
	Units stacking		units	7 levels
OUTDOOR	Refrigerant control		EEV	
	Compressor type,model		Single Rotary,DC Inverter,Panasonic 5RS102XAB	
	Fan type & quantity		Propeller(direct) x 1	
	Fan speeds	H/L	RPM	830
	Air flow	H/L	m3/hr	1460
	Sound power level	H/L	dB(A)	65
	Sound pressure level(3)	H/L	dB(A)	55
	Dimensions	WxDxH	mm	760x245x545
	Weight		kg	37
	Package dimensions	WxDxH	mm	880x310x610
	Packaged weight		kg	40
	Units per pallet		units	12
	Stacking height		units	3 levels
	Refrigerant type			R410A
	Refrigerant chargeless distance		kg/m	1.0kg/7.5m
	Additional charge per 1 meter		g/m	No Need
Connections between units	Liquid line	ln.(mm)	1/4"(6.35)	
	Suction line	ln.(mm)	3/8"(9.53)	
	Max.tubing length	m.	Max.15	
	Max.height difference	m.	Max.10	
Operation control type			Remote control	
Heating elements (Option)		kW		
Others				

- (1)Airflow in ducted units;at nominal external static pressure.
- (2)Sound power in ducted units is measured at air discharge.
- (3)Sound pressure level measured at 1-meter distance from unit.
- (4)Rating conditions in accordance to ISO 5151 and ISO 13253 (for ducted units).

2.2 AWSI-FWD018-N11// AWAU-YBD018-H11

Model Indoor Unit		AWSI-FWD018-N11		
Model Outdoor Unit		AWAU-YBD018-H11		
Installation Method of Pipe		Flared		
Characteristics		Units	Cooling Heating	
Capacity (4)		Btu/hr	17000(5120~19790) 19110(4440~23200)	
		kW	5.0(1.5~5.8) 5.6(1.3~6.8)	
Power input (4)		kW	1.51(0.4~2.0) 1.59(0.36~2.0)	
EER (Cooling) or COP(Heating) (4)		W/W	3.31 3.52	
Energy efficiency class			A B	
Extreme cooling capacity(12℃)		kW	4.0 NA	
Power supply		V/Ph/Hz	220-240V/Single/50Hz	
Rated current		A	7.2 7.7	
Starting current		A	10.5	
Circuit breaker rating		A	20	
INDOOR	Fan type & quantity		Centrifugal x 2	
	Fan speeds	H/M/L	RPM	1050/950/700
	Air flow (1)	H/M/L	m3/hr	870/750/600
	External static pressure	Min-Max	Pa	0
	Sound power level (2)	H/M/L	dB(A)	65/60/56
	Sound pressure level(3)	H/M/L	dB(A)	51/48/40
	Moisture removal		l/hr	2
	Condensate drain tube I.D		mm	16
	Dimensions	WxDxH	mm	1200x190x630
	Weight		kg	30
	Package dimensions	WxDxH	mm	1300x273x726
	Package weight		kg	35
	Units per pallet		units	7
	Units stacking		units	7 levels
OUTDOOR	Refrigerant control		EEV	
	Compressor type,model		Single Rotary,DC Inverter,Panasonic 5RS132ZAD21	
	Fan type & quantity		Propeller(direct) x 1	
	Fan speeds	H/L	RPM	920
	Air flow	H/L	m3/hr	2160
	Sound power level	H/L	dB(A)	63
	Sound pressure level(3)	H/L	dB(A)	53
	Dimensions	WxDxH	mm	795x290x610
	Weight		kg	38
	Package dimensions	WxDxH	mm	945x395x655
	Packaged weight		kg	41
	Units per pallet		Units	9
	Stacking height		units	3 levels
	Refrigerant type			R410A
	Refrigerant chargeless distance		kg/m	1.26kg/7.5m
	Additional charge per 1 meter		g/m	No Need
	Connections between units	Liquid line	In.(mm)	1/4"(6.35)
Suction line		In.(mm)	1/2"(12.7)	
Max.tubing length		m.	Max.20	
Max.height difference		m.	Max.10	
Operation control type			Remote control	
Heating elements (Option)		kW		
Others				

- (1)Airflow in ducted units;at nominal external static pressure.
- (2)Sound power in ducted units is measured at air discharge.
- (3)Sound pressure level measured at 1-meter distance from unit.
- (4)Rating conditions in accordance to ISO 5151 and ISO 13253 (for ducted units).

2.3 AWSI-FWD024-N11 // AWAU-YBD024-H11

Model Indoor Unit		AWSI-FWD024-N11		
Model Outdoor Unit		AWAU-YBD024-H11		
Installation Method of Pipe		Flared		
Characteristics		Units	Cooling Heating	
Capacity (4)		Btu/hr	23200(5120~25930) 25910(5460~29340)	
		kW	6.80(1.50~7.60) 7.60(1.60~8.60)	
Power input (4)		kW	2.25(0.55~2.70) 2.105(0.45~2.55)	
EER (Cooling) or COP(Heating) (4)		W/W	3.02 3.61	
Energy efficiency class			B A	
Extreme cooling capacity(12℃)		kW	5.7 NA	
Power supply		V/Ph/Hz	220-240V/Single/50Hz	
Rated current		A	10 9.6	
Starting current		A	15	
Circuit breaker rating		A	20	
INDOOR	Fan type & quantity		Centrifugal x2	
	Fan speeds	H/M/L	RPM	
	Air flow (1)	H/M/L	m3/hr	
	External static pressure	Min-Max	Pa	
	Sound power level (2)	H/M/L	dB(A)	
	Sound pressure level(3)	H/M/L	dB(A)	
	Moisture removal		l/hr	2.5
	Condensate drain tube I.D		mm	16
	Dimensions	WxDxH	mm	1200x190x630
	Weight		kg	32
	Package dimensions	WxDxH	mm	1300x273x726
	Package weight		kg	36
	Units per pallet		units	7
	Units stacking		units	7 levels
OUTDOOR	Refrigerant control		EEV	
	Compressor type,model		Two Rotary, Mitsubishi TNB220F	
	Fan type & quantity		Propeller(direct) x 1	
	Fan speeds	H/L	RPM	
	Air flow	H/L	m3/hr	
	Sound power level	H/L	dB(A)	
	Sound pressure level(3)	H/L	dB(A)	
	Dimensions	WxDxH	mm	
	Weight		kg	
	Package dimensions	WxDxH	mm	
	Packaged weight		kg	
	Units per pallet		Units	
	Stacking height		units	
	Refrigerant type		R410A	
	Refrigerant chargless distance		kg/m	
	Additional charge per 1 meter		g/m	
Connections between units	Liquid line	In.(mm)		
	Suction line	In.(mm)		
	Max.tubing length	m.		
	Max.height difference	m.		
Operation control type		Remote control		
Heating elements (Option)		kW		
Others				

- (1)Airflow in ducted units;at nominal external static pressure.
- (2)Sound power in ducted units is measured at air discharge.
- (3)Sound pressure level measured at 1-meter distance from unit.
- (4)Rating conditions in accordance to ISO 5151 and ISO 13253 (for ducted units).

3. RATING CONDITIONS

Rating conditions in accordance with ISO 5151 and ISO 13253 (for ducted units).

Cooling:

Indoor: 27°C DB 19°C WB

Outdoor: 35°C DB

Heating:

Indoor: 20°C DB

Outdoor: 7°C DB 6°C WB

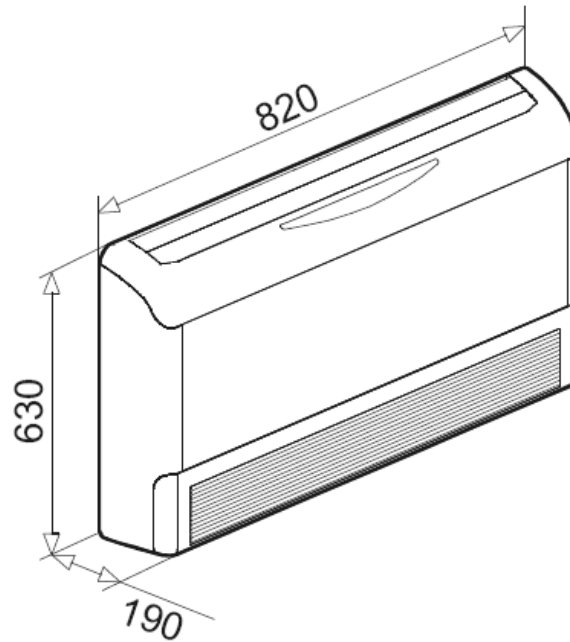
3.1 Operating Limits

R410A

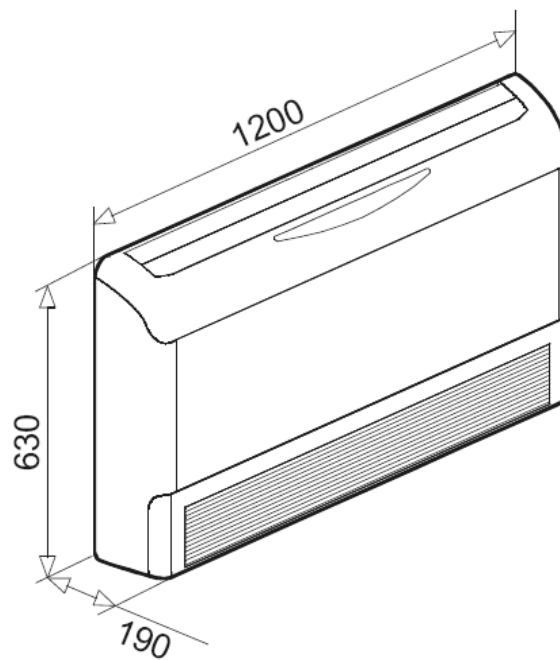
		Indoor	Outdoor
Cooling	Upper limit	26°C DB 19°C WB	46°C DB
	Lower limit	12°C DB 9°C WB	-10°C DB
Heating	Upper limit	27°C DB	24°C DB 18°C WB
	Lower limit	10°C DB	-15°C DB -16°C WB
Voltage	1PH	198 – 264 V	
	3PH	360 – 440 V	

4. OUTLINE DIMENSIONS

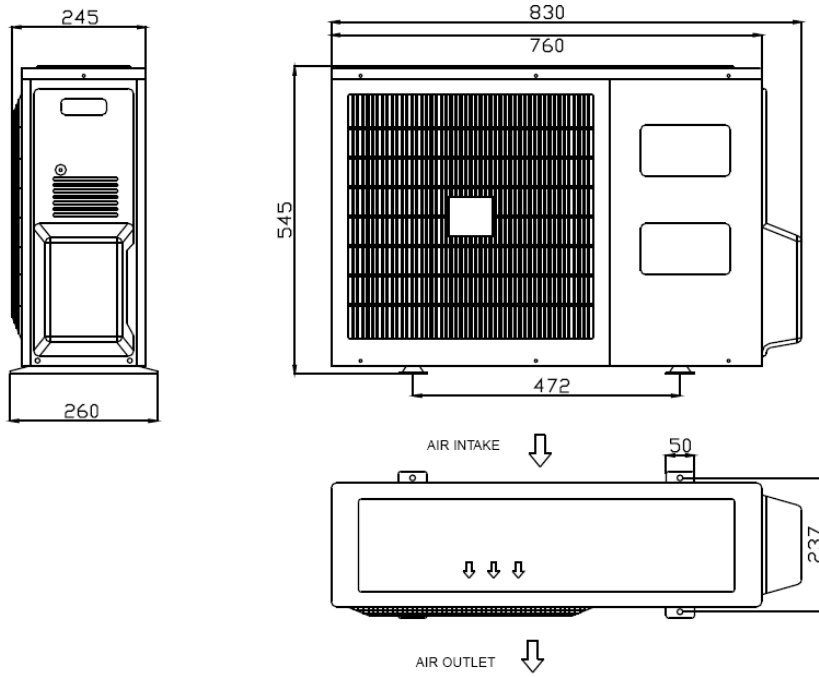
4.1 FWD012



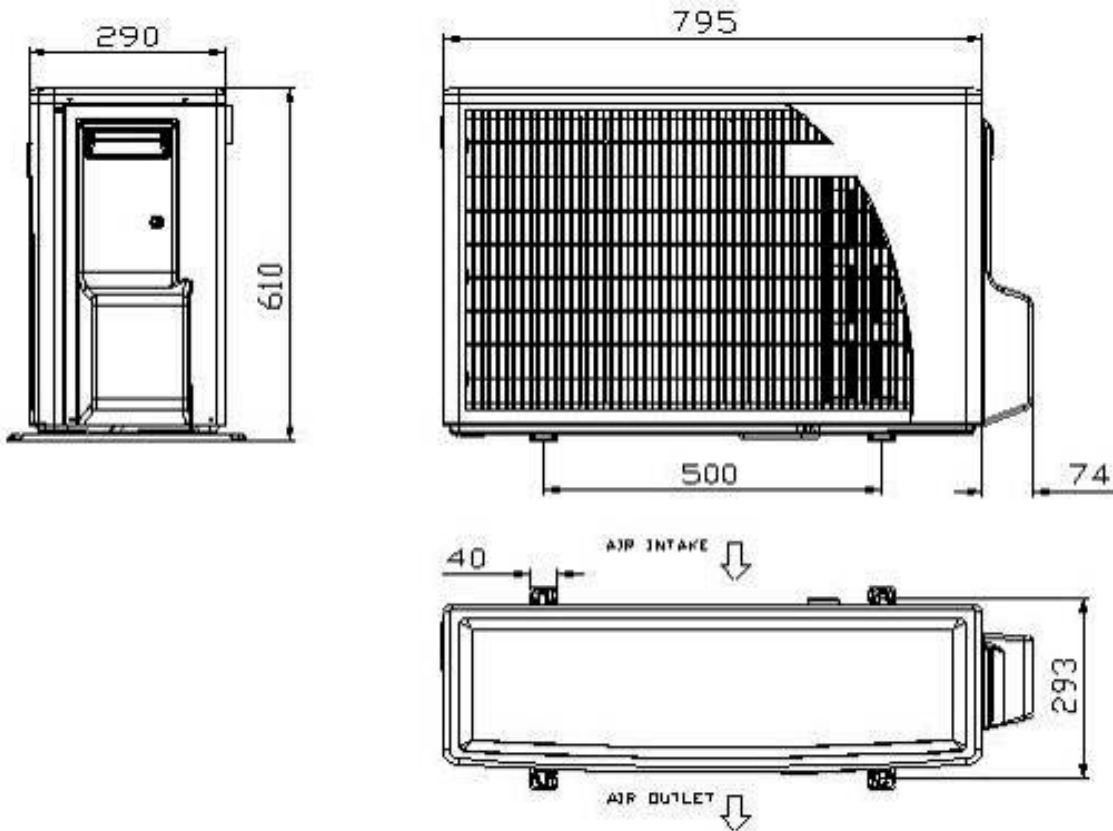
4.2 FWD018/024



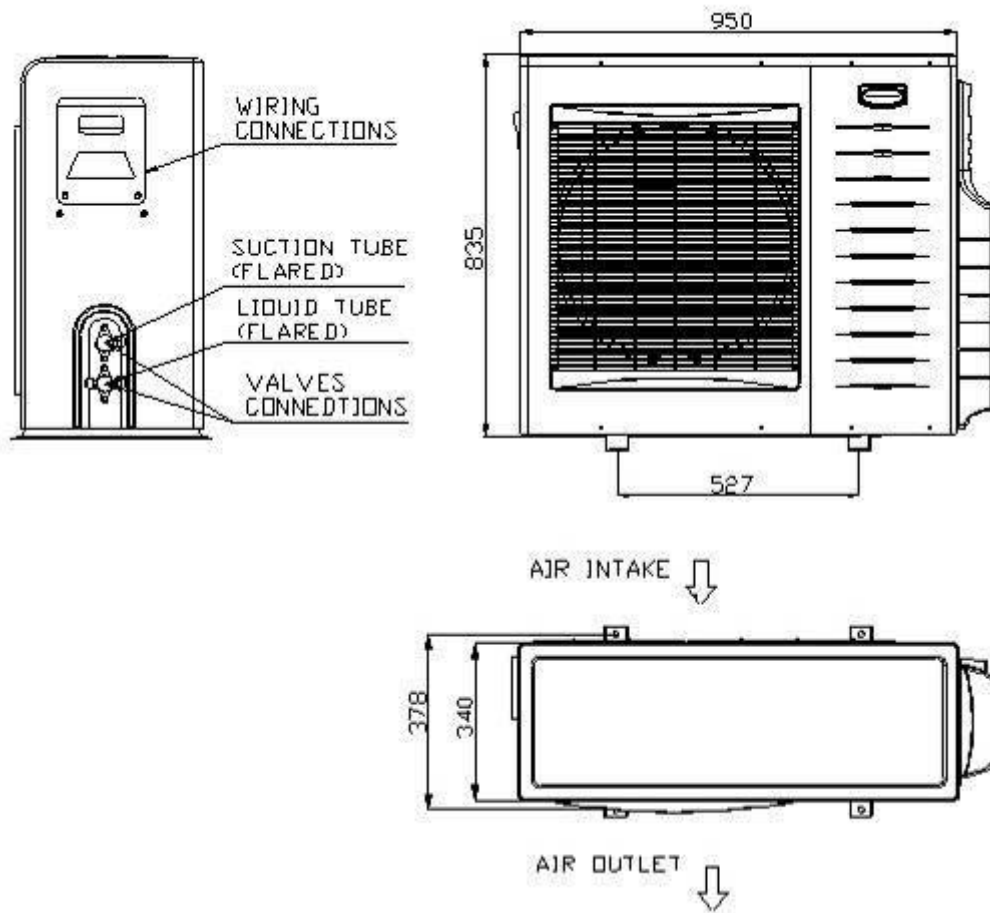
4.3 Outdoor Unit: GC 12 RC DCI 230V R410 AW



4.4 Outdoor Unit: YBD 018



4.5 Outdoor Unit: YBD 024



5. ELECTRICAL DATA

5.1 Single Phase Units

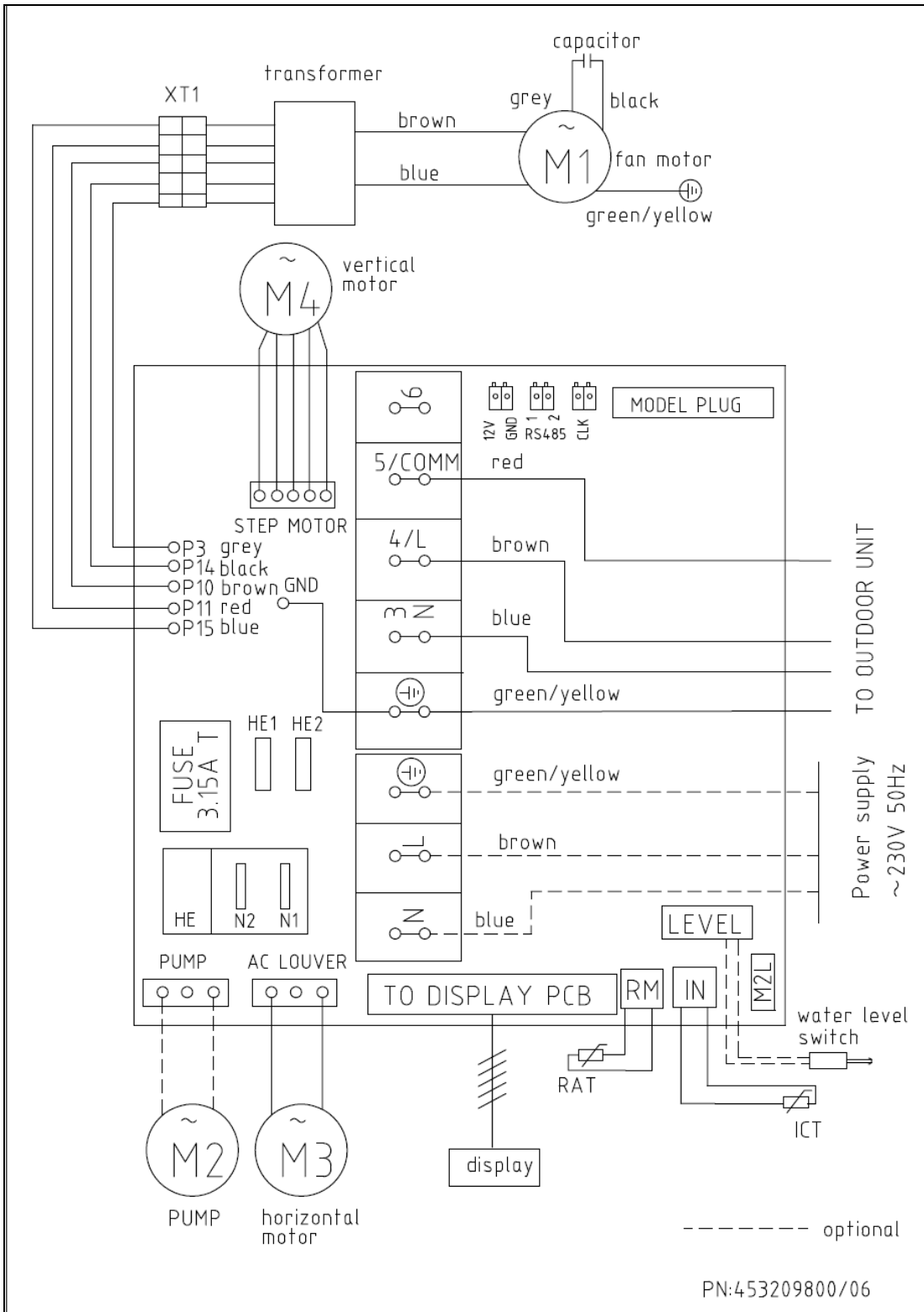
MODEL	FWD012	FWD018	FWD024
Power Supply	To indoor	To indoor	To indoor
	1PH-230V-50Hz	1PH-230V-50Hz	1PH-230V-50Hz
Max Current, A	10	12	14
Inrush Current A	35	35	45
Starting Current A	10.5	10.5	10.5
Circuit Breaker A	16	20	20
Power Supply Wiring No. X Cross Section mm ²	3x1.5 mm ²	3x2.5 mm ²	3x2.5 mm ²
Interconnecting Cable No. X Cross Section mm ²	4x1.5 mm ²	4x2.5 mm ²	4x2.5 mm ²

NOTE

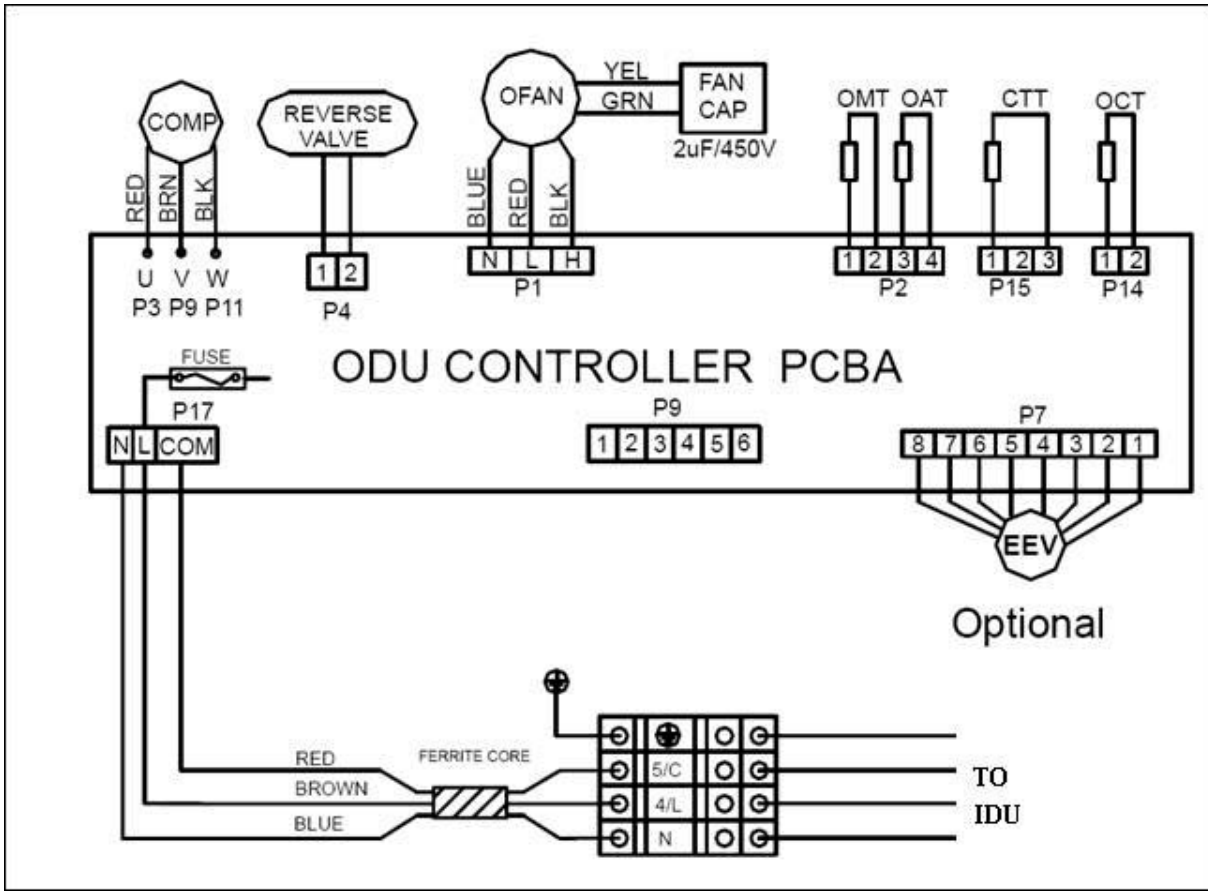
Power wiring cord should comply with local laws and electrical regulations requirements.

6. WIRING DIAGRAMS

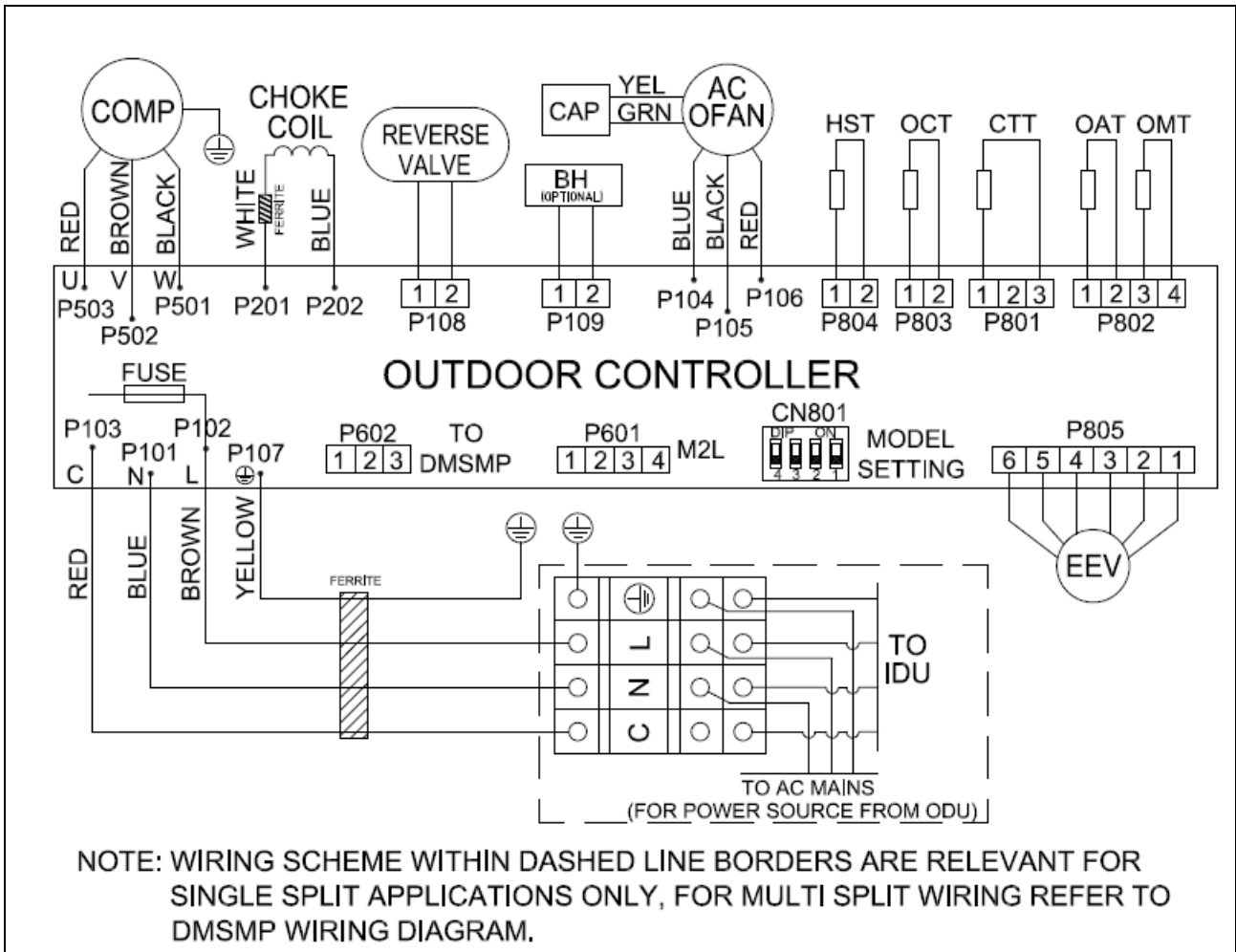
6.1 Indoor Unit: FWD012/018



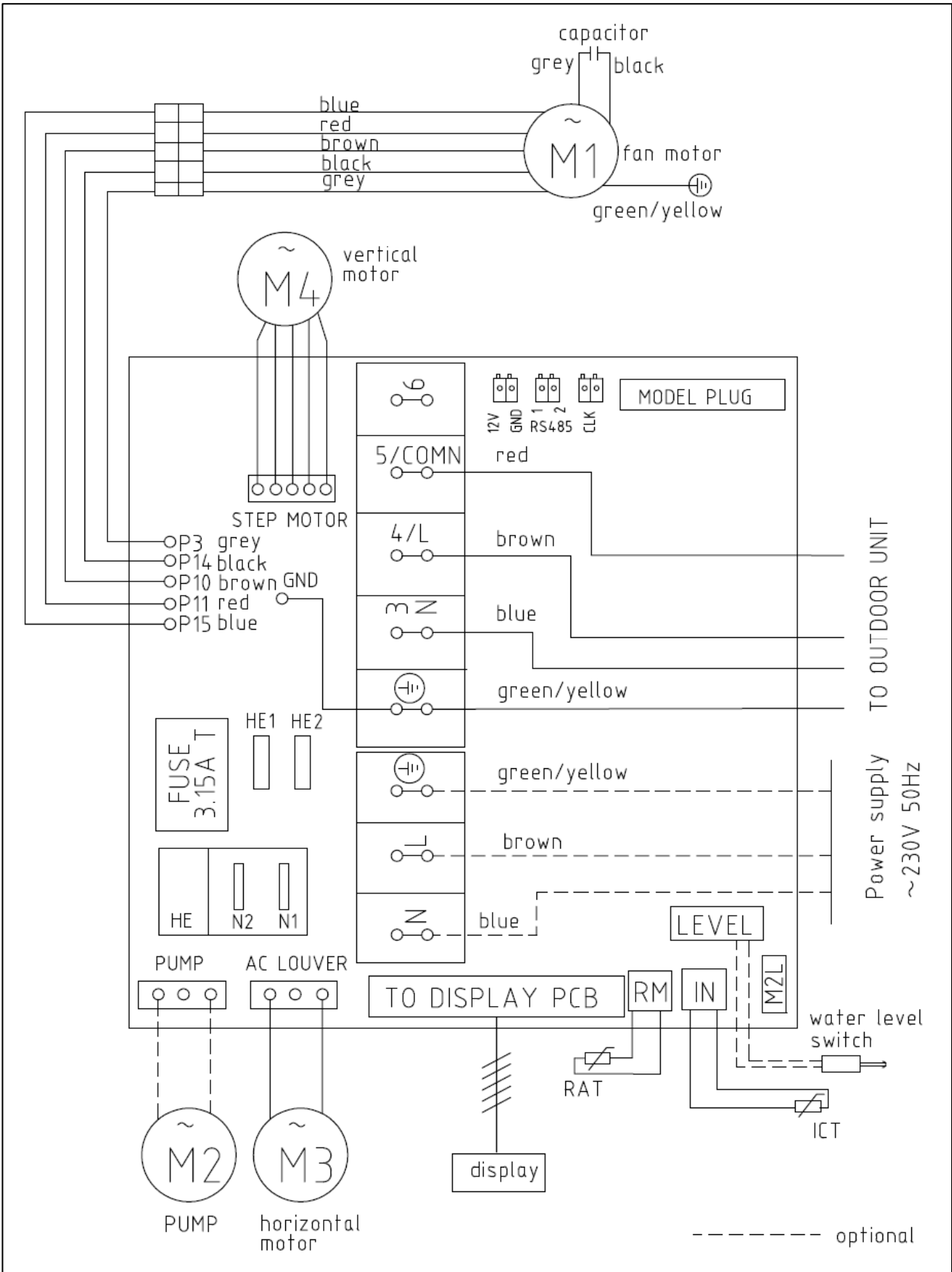
6.2 Outdoor Unit: GC 12 RC DCI 230V R410 AW



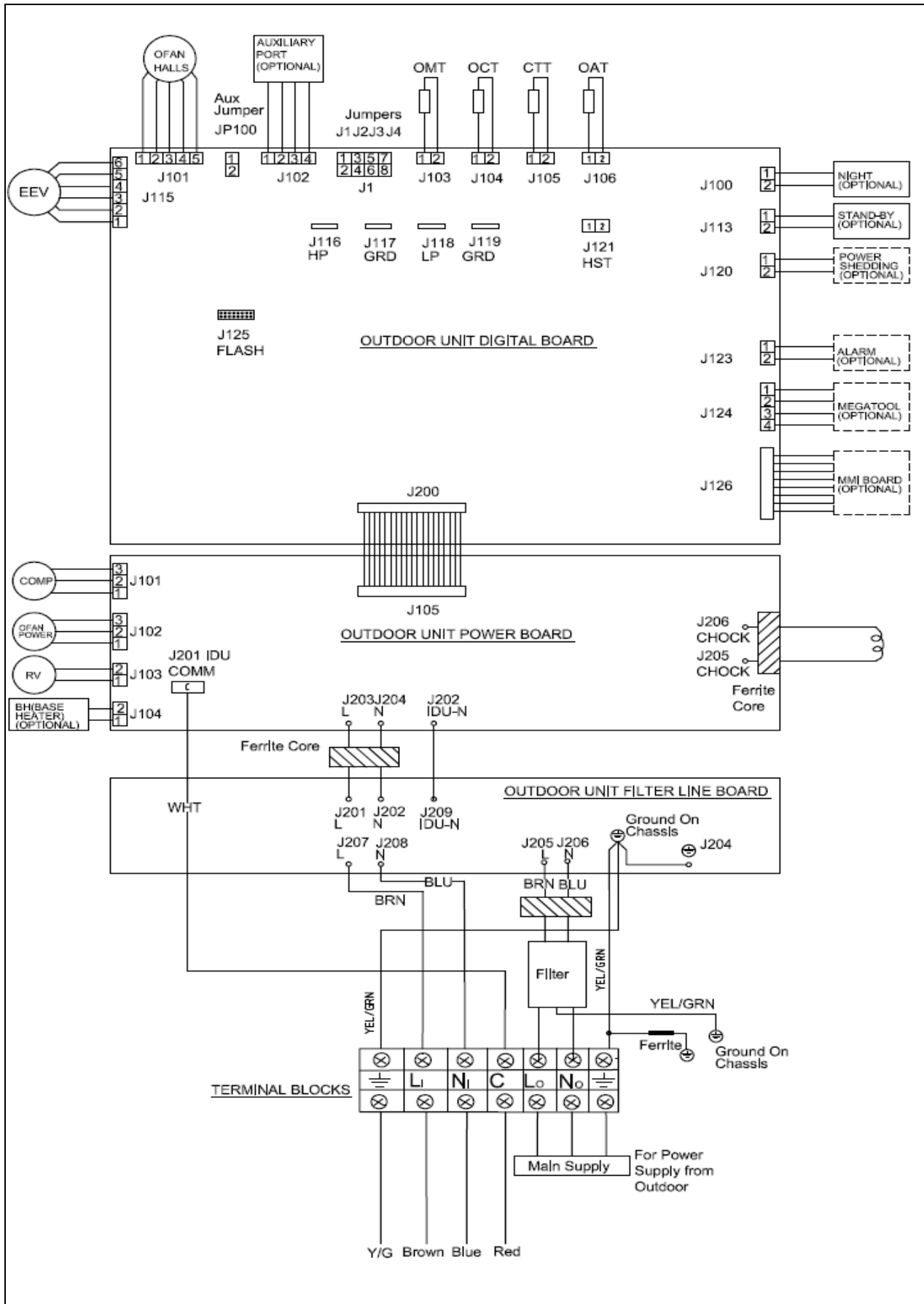
6.3 Outdoor Unit: YBD018



6.4 Indoor Unit: FWD024

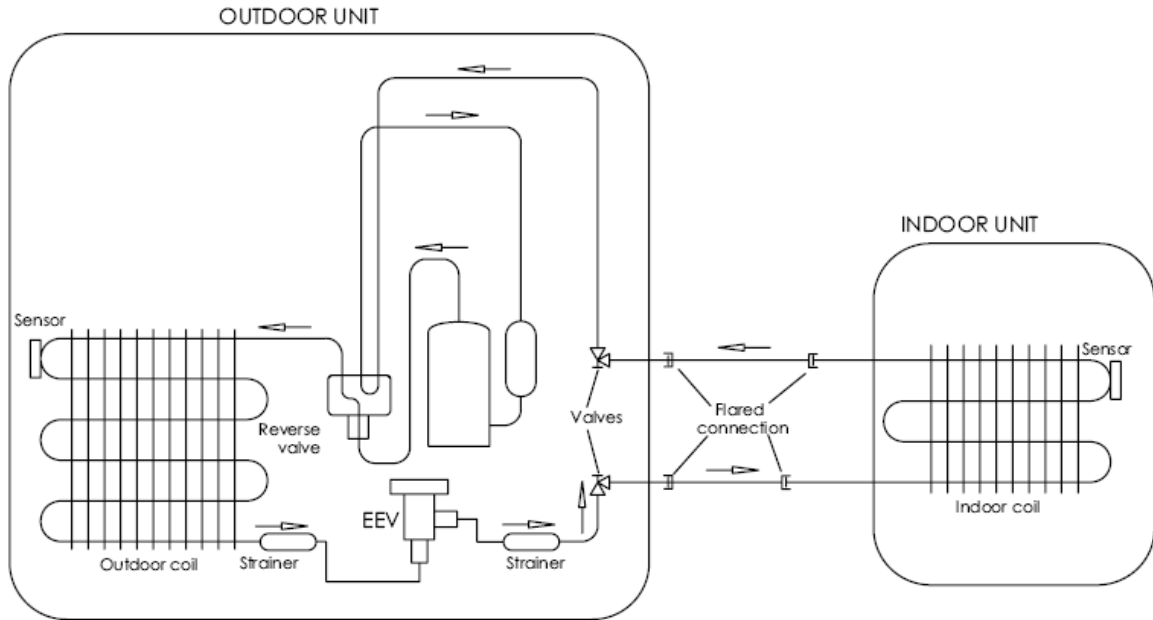


6.5 Outdoor Unit: YBD024

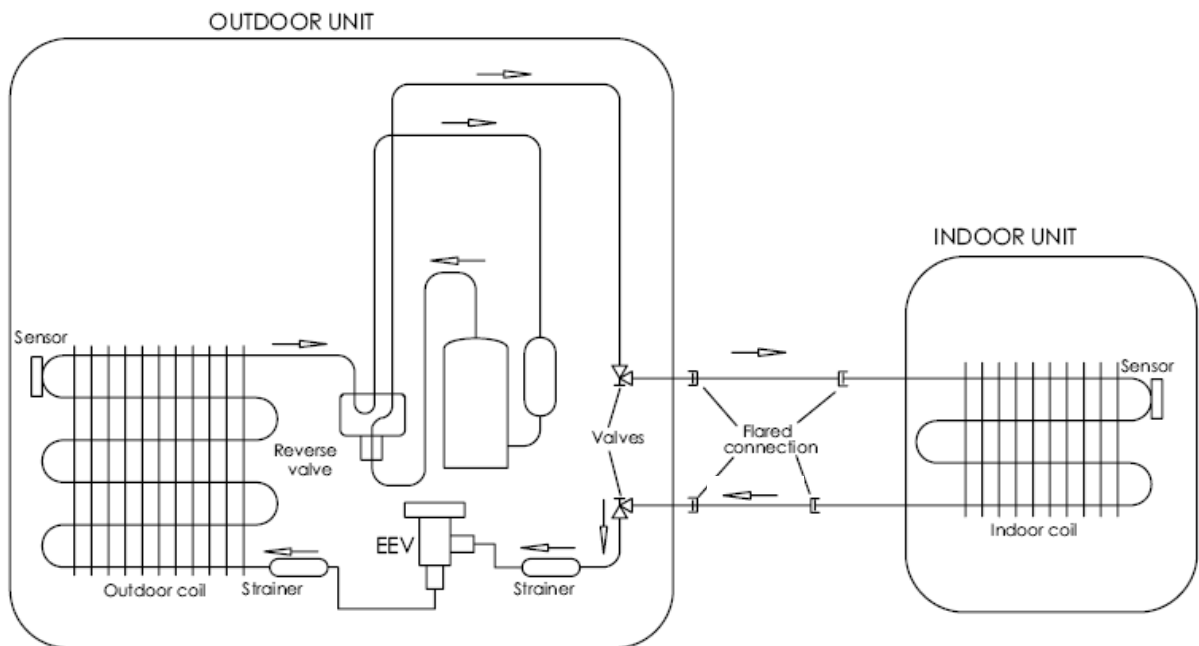


7. REFRIGERATION DIAGRAMS

7.1 Cooling Mode

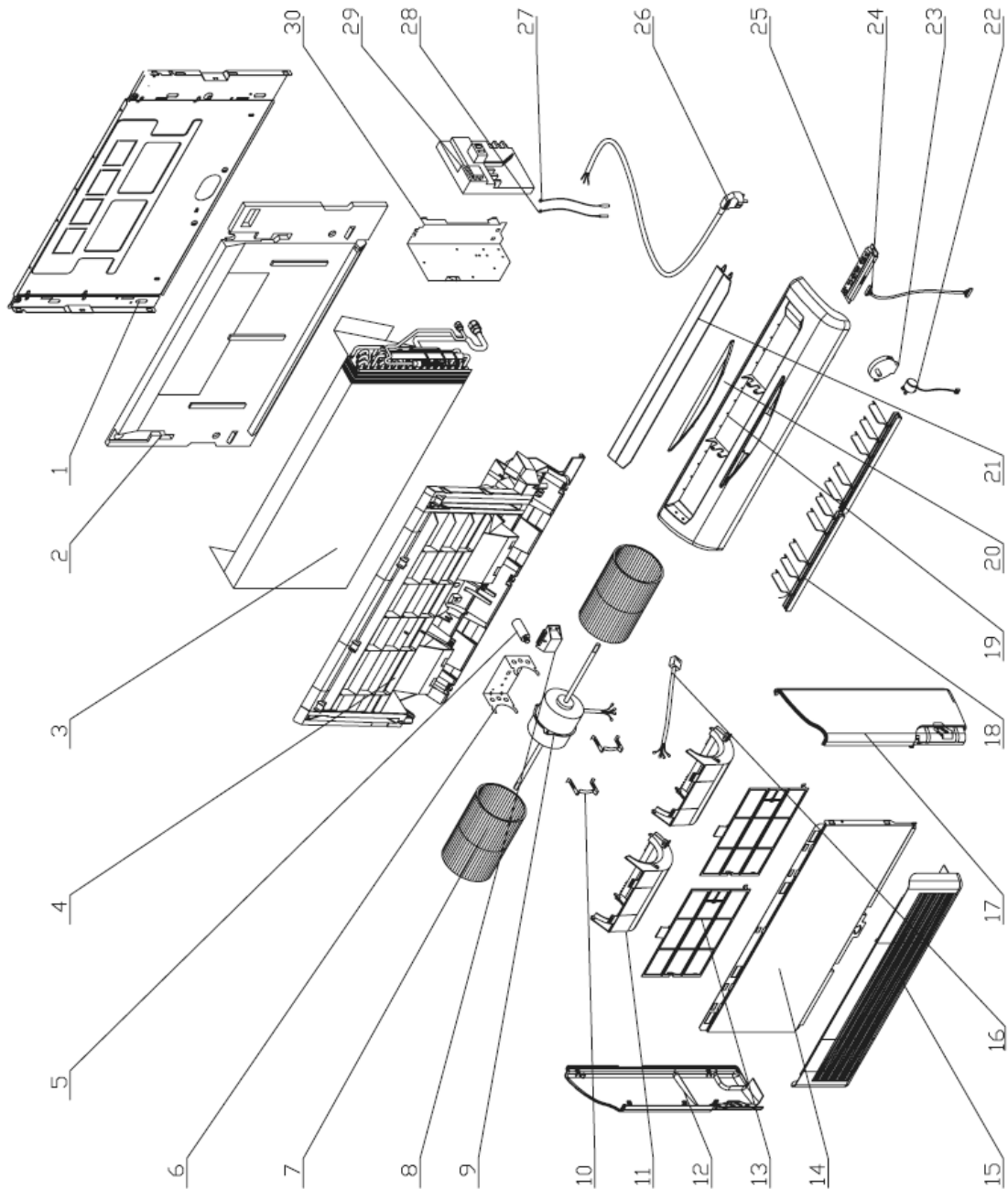


7.2 Heating Mode



8. EXPLODED VIEWS AND SPARE PART LISTS

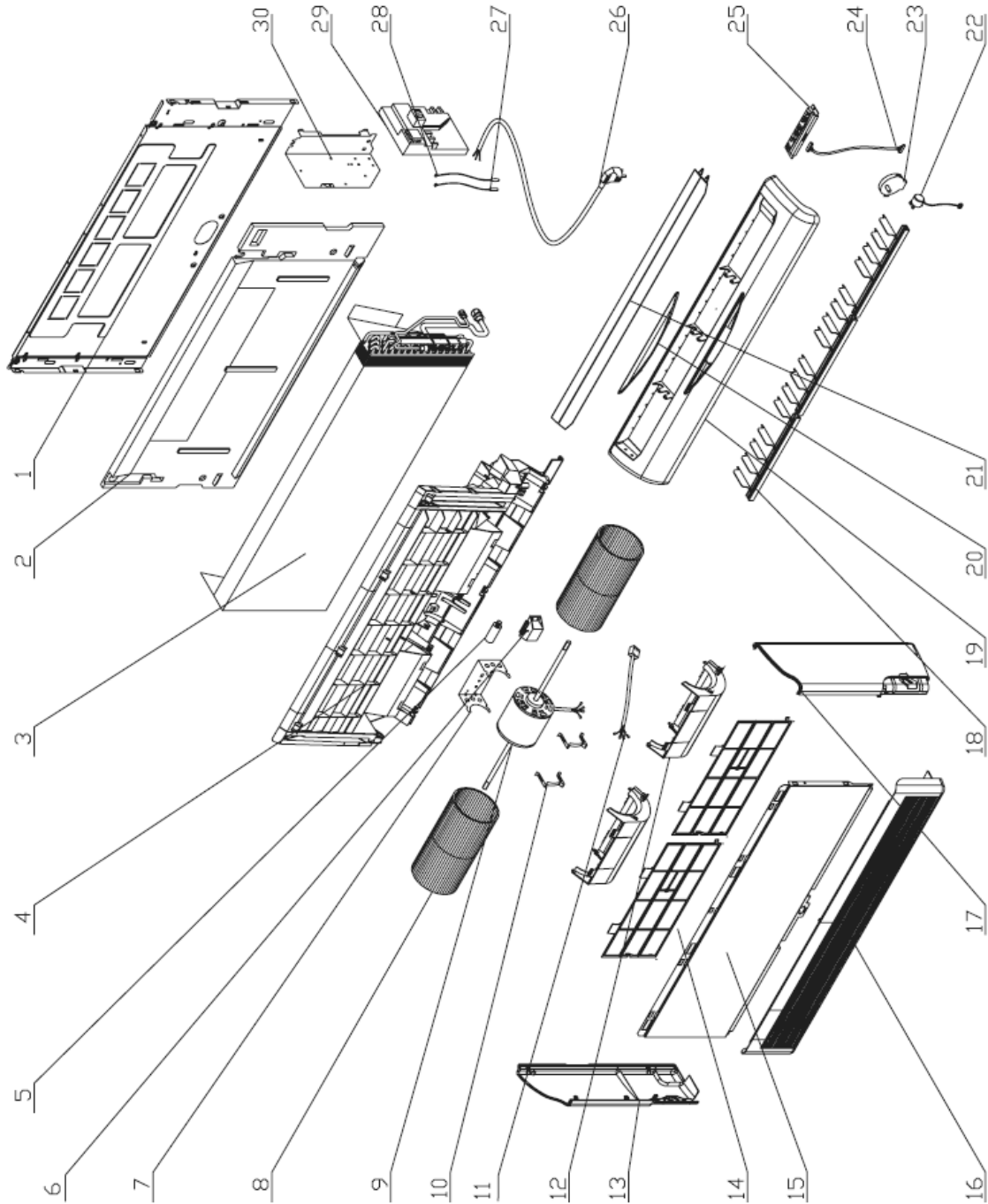
8.1 Exploded view of Indoor unit: FWD012



8.2 Spare part list of Indoor Unit: FWD012

No	Part No	Description	Qty
1	307979	BACK PANEL (SMALL)	1
2	382334	BASE EPS (SMALL)	1
3	462350111	Evaporator assy./FWD(Wine Cellar) 35 DCI	1
4	373247	FAN FRAME(SMALL)	1
5	455000600	Capacitor With Screw for fan motor 1uF (CBB65D)	1
6	323425	MOTOR SUPPORT LENGTH 99	1
7	293321	CENTRIFUGAL FAN (SMALL)	2
8	452987400	Auto-transformer	1
9	4520158R	MOTOR FWD 9-12-15	1
10	324296	MOTOR SPRING CLIP	2
11	372341	FAN COVER (SMALL)	2
12	465060004	Side Plate / Left /RAL9003AW	1
13	221555	FILTER (SMALL)	2
14	464040018	Front Panel (Small)/RAL9003AW	1
15	465800145	Air Intake Grille Assy.(Small)/RAL9003AW	1
16	4525333	HPI FWD 9/12 Motor connective wire	1
17	465060005	Side Plate / Right /RAL9003AW	1
18	465160058	Linkage/ Veritcal Flap/RAL9003AW	10
19	465120035	Air Outlet Frame(Small)/RAL9003AW	1
20	465720811	Panel Assy./FWD(Wine Cellar)Display/Airwell	1
21	465160055	Horizonal Flap/Front (Small)/RAL9003AW	1
21	465160056	Horizonal Flap/Black (Small)/RAL9003AW	1
22	263034	SWING MOTOR	1
23	436665	STEP MOTOR	1
24	391508	CABLE DISPLAY	1
25	467300306R	Display Board / FWD display?	1
26	455013705R	Power Cord Without Plug/3G/1.5/2100	1
27	467400025	Indoor Air Inlet Temperature Sensor	1
28	467400053	ICT Indoor Coil Temperature (RT2) sensor/10K/Copper-capsulation \varnothing 6	1
29	467300321R	STORM Controlle with Software Version Label/ FWD(Wine Cellar) DCI	1
30	311036	STORM METAL PANEL	1

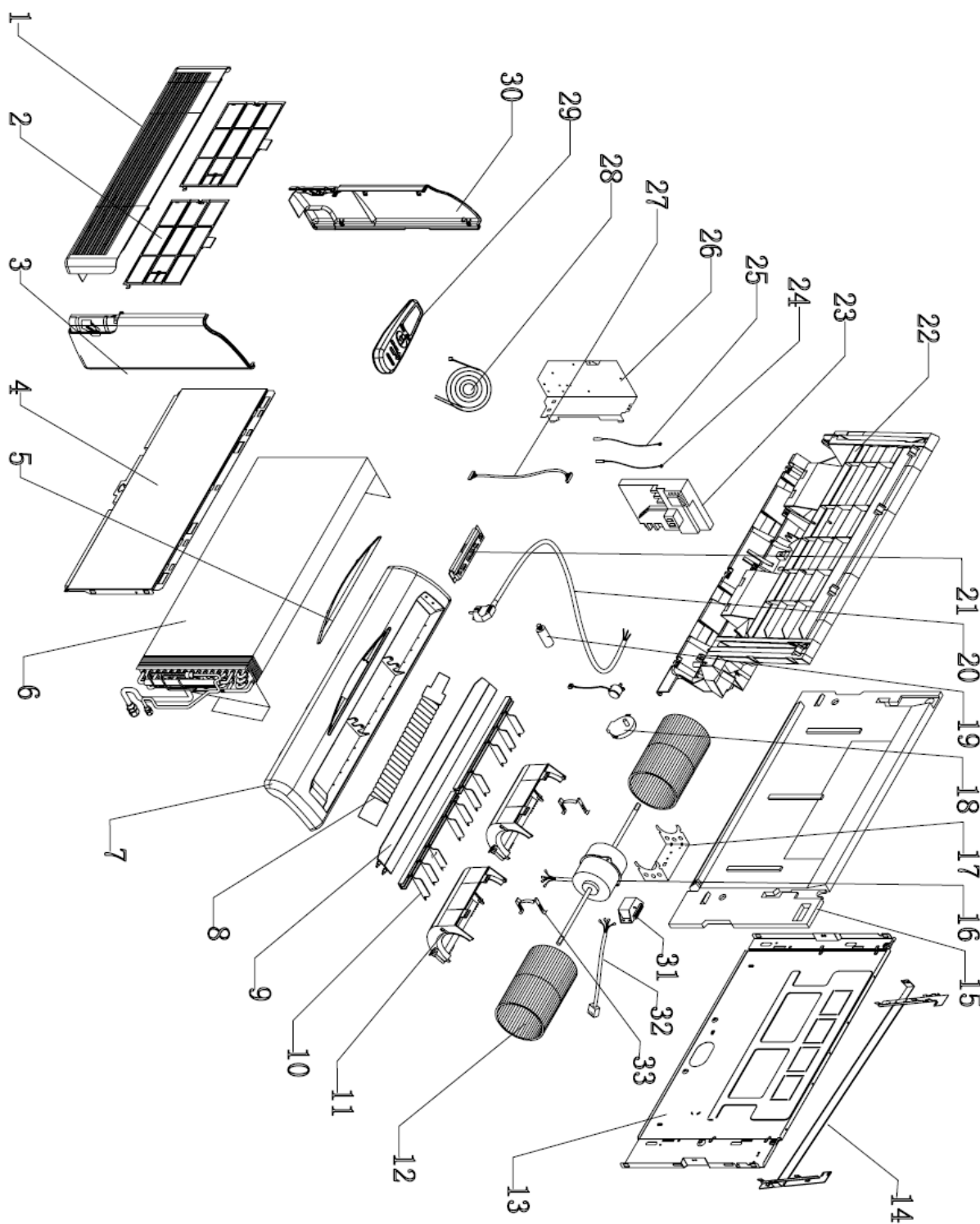
8.3 Exploded view of Indoor unit: FWD018



8.4 Spare part list of Indoor Unit: FWD018

No	Part No	Description	Qty
1	307980	BACK PANEL (BIG)	1
2	382333	BASE EPS (BIG)	1
3	462350112	Evaporatorl assy./FWD 50 DCI	1
4	373246	FAN FRAME (BIG)	1
5	455000604	Capacitor With Screw 1.5uF (CBB65D)	1
6	453206900	Transformer	1
7	323422	MOTOR SUPPORT LENGTH 132	1
8	293322	CENTRIFUGAL FAN (BIG)	2
9	4520931R	Motor Assy. for FWD24-28	1
10	324296	MOTOR SPRING CLIP	2
11	4525333	HPI FWD 9/12 Motor connective wire	1
12	372340	FAN COVER (BIG)	2
13	465060004	Side Plate / Left /RAL9003AW	1
14	221554	FILTER FWD (BIG)	2
15	465020284	Front Panel(Big)/RAL9003AW	1
16	465800148	Air Intake Grille Assy.(Big)/RAL9003AW	1
17	465060005	Side Plate / Right /RAL9003AW	1
18	465160058	Linkage/ Veritcal Flap/RAL9003AW	12
19	465120036	Air Outlet Frame (Big)/RAL9003AW	1
20	465720811	Panel Assy./FWD(Wine Cellar)Display/Airwell	1
21	465160059	Horizontal Louver/Front (Big)/RAL9003AW	1
21	465160060	Horizontal Flap/Black (Big)/RAL9003AW	1
22	263034	SWING MOTOR	1
23	436665	STEP MOTOR	1
24	391508	CABLE DISPLAY	1
25	467300306R	Display Board / FWD display	1
26	455013707R	Power Cord Without Plug/3G/2.5/2100	1
27	467400053	ICT Indoor Coil Temperature (RT2) sensor/10K/Copper-capsulation \varnothing 6	1
28	467400025	Indoor Air Inlet Temperature Sensor	1
29	467300321R	STORM Controlle with Software Version Label/ FWD(Wine Cellar) DCI	1
30	311036	STORM METAL PANEL	1

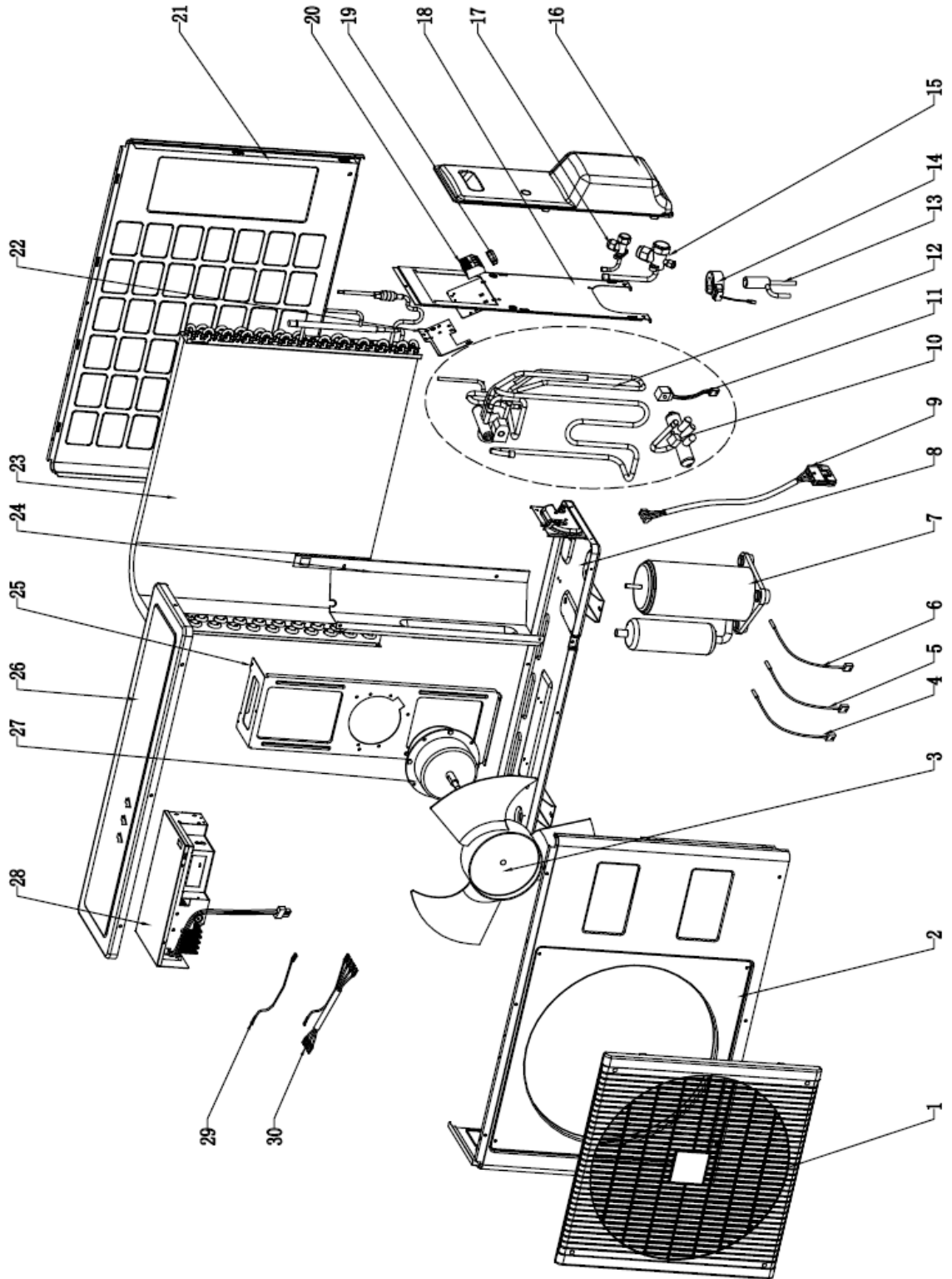
8.5 Exploded view of Indoor unit: FWD024



8.6 Spare part list of Indoor Unit: FWD024

No	Part No	Description	Qty
1	465800148	Air Intake Grille Assy.(Big)/RAL9003AW	1
2	221554	FILTER FWD (BIG)	2
3	465060005	Side Plate / Right /RAL9003AW	1
4	465020284	Front Panel(Big)/RAL9003AW	1
5	465020290	DISPLAY PANEL/RAL9003AW	1
6	462350113	Evaporatorassy./FWD 72 DCI	1
7	465120036	Air Outlet Frame (Big)/RAL9003AW	1
8	285032	DRAIN TUBE	1
9	465160059	Horizontal Louver/Front (Big)/RAL9003AW	1
9	465160060	Horizontal Flap/Black (Big)/RAL9003AW	1
10	465160057	Vertical Flap/RAL9003AW	12
11	372340	FAN COVER (BIG)	2
12	293322	CENTRIFUGAL FAN (BIG)	2
13	307980	BACK PANEL (BIG)	1
14	466236	MOUNTED BRCKET ASSY.(BIG)	1
15	382333	BASE EPS (BIG)	1
16	466100005R	Metal Motor Assy./ FWD DCI	1
17	323422	MOTOR SUPPORT LENGTH 132	1
18	436665	STEP MOTOR	1
18	263034	SWING MOTOR	1
19	455000603	Capacitor With Screw for fan motor 4uF (CBB65D)	1
21	467300306R	Display Board / FWD display?	1
22	373246	FAN FRAME (BIG)	1
23	467300321R	STORM Controlle with Software Version Label/ FWD(Wine Cellar) DCI	1
24	467400053	ICT Indoor Coil Temperature (RT2) sensor/10K/Copper-capsulation ϕ 6	1
25	467400025	Indoor Air Inlet Temperature Sensor	1
26	311036	STORM METAL PANEL	1
27	391508	CABLE DISPLAY	1
30	465060004	Side Plate / Left /RAL9003AW	1
33	324296	MOTOR SPRING CLIP	2

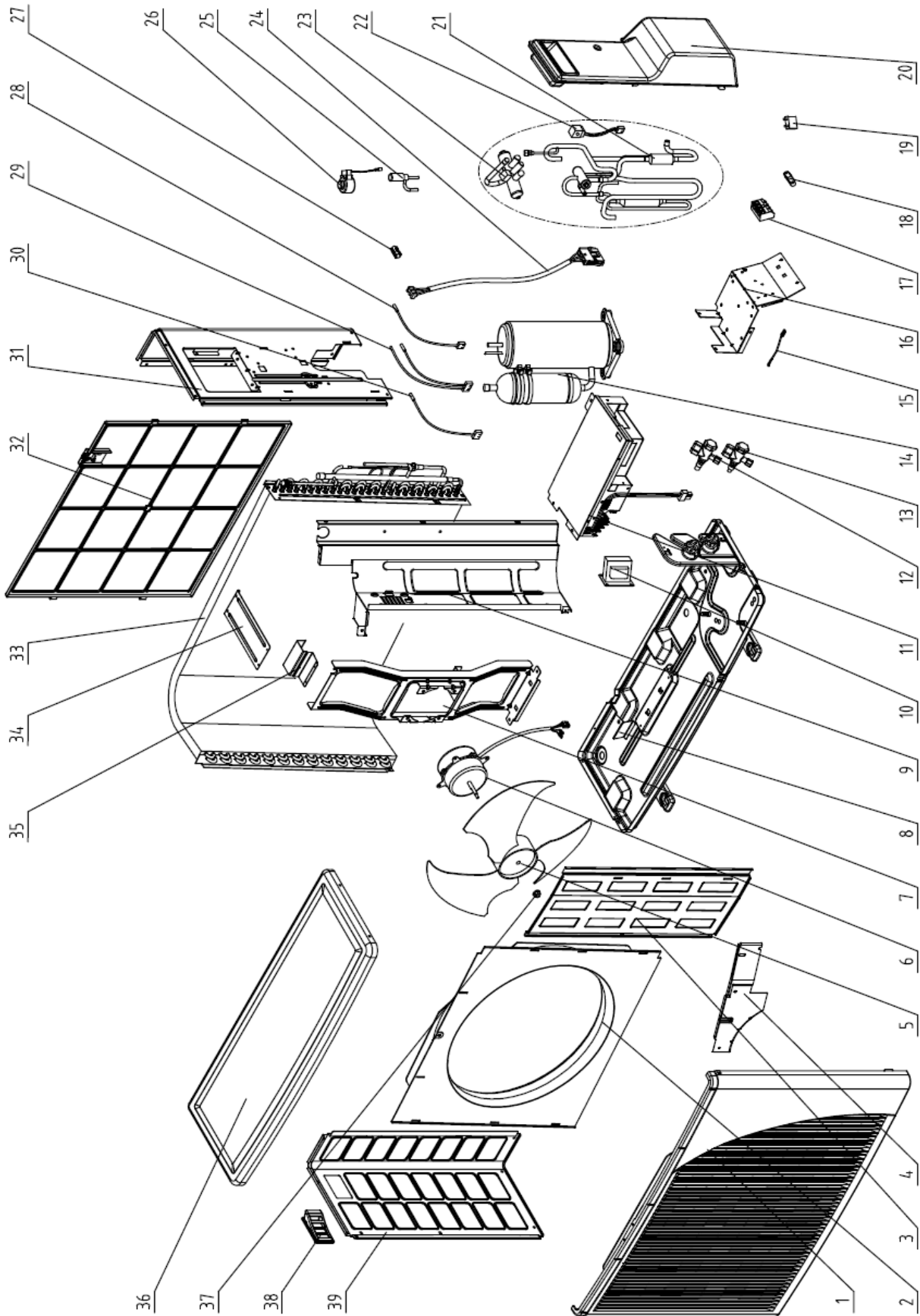
8.7 Exploded view of outdoor unit: GC 12 RC DCI 230V R410 AW



8.8 Spare part list of Outdoor Unit: GC 12 RC DCI 230V R410 AW

No	Part No	Description	Qty
1	4522551	Grille A of GCN	1
2	4523441	Front panel A Painting assy	1
3	4519251	Axial Fan OD=400	1
4	467400040	Condenser Middle Temperature Sensor/OAT & OMT/DCR LC 25/35	1
5	467400200	CTT Compressor Top Temperature Sensor/10K/Resin-capsulation	1
6	467400056	OCT Outdoor Coil Temperature Sensor/10K/Copper-capsulation ϕ 6	1
7	4526204	Compressor Assy. MATSUSHIBA 5RS102XAB	1
8	453052500	PAINTING BASE ASSY.	1
9	467000001	Compressor Power Cord/DCR CR 25/35	1
10	461020003	4-W valve /SHF(L)-4H-23U	1
11	461030007	4-W valve coil /SHF(L)-4H/7H(DCI)	1
12	453058800	4way valve soldering assy	1
13	453026600	Electronic expansion valve ZDPF(L)-1.5C-01	1
14	4526216	EEV COIL QA(L)12-MD-02	1
15	461010004	Gas Valve 3/8" R410A	1
16	4516857	BIG SIDE COVER	1
17	461000004	Liquid Valve 1/4" R410A	1
18	464630000	Side Plate Painting Assy.	1
19	204107	Cable clip Nylon	1
20	4519188	4 poles terminal block	1
21	4516156	Rear panel Painting assy	1
22	453230000	Connect Plate	1
23	453048200	Condenser assy. (OD7x2rows) for DCR 9	1
24	453052700	PATITION	1
25	323156	Motor support assy	1
26	4516158	Cover panel Painting assy	1
27	453031200	Metal motor 27W	1
28	467300225R	Controller / DCR 1.6KW OMT	1
29	452841100	Earth wire	1
30	453129300	Wire UL1007 16AWG/Controller with 250 connector	1

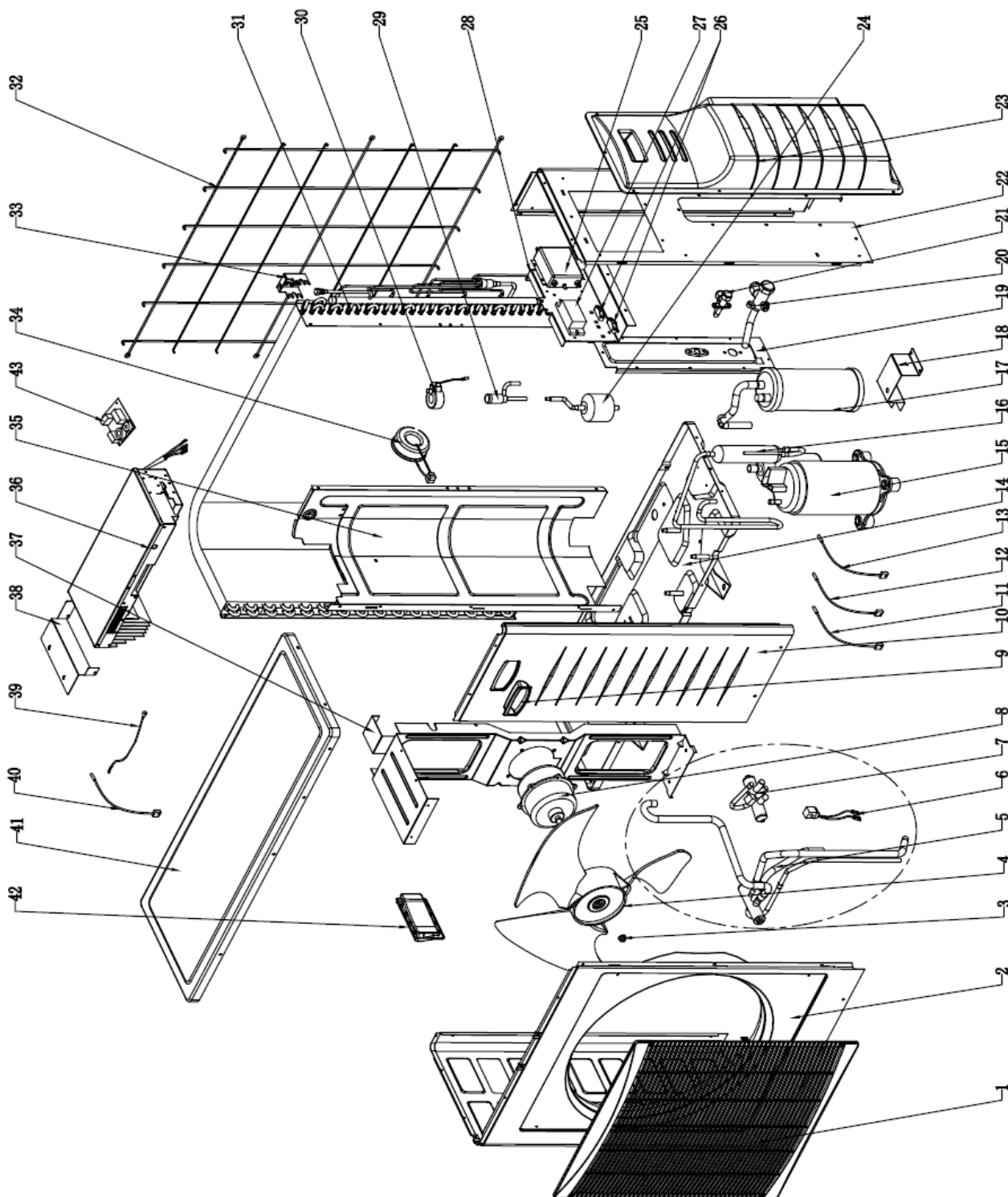
8.9 Exploded view of outdoor unit: YBD018



8.10 Spare part list of Outdoor Unit: YBD018

No	Part No	Description	Qty
1	433218	Front Panel A	1
2	4526340	Air inlet ring-420	1
3	433223	Painting Insulation Plate	1
4	464250118	Fireproofing plate/ONG3 DIC	1
5	4519251	Axial Fan OD=400	1
6	466100034R	Metal Motor	1
7	4527203	Motor Support	1
8	464600094	Base Painting Assy.	1
9	464160024	Partition Plate	1
10	467550005R	Choke	1
11	467300233R	Controller	1
12	461000004	Liquid Valve 1/4" R410A	1
13	461010005	Gas Valve 1/2" R410A	1
14	460150020R	Compressor Assy./ Panasonic 5RS132ZAD21	1
15	4516540	ground wire	1
16	452823600	Therminal Plate Assy.	1
17	467420025	4 poles terminal block	1
18	204107	Cable clip Nylon	1
19	455000108	Double patch Capacitor for fan motor 2uF	1
20	465340080	Valve Cover	1
21	461600079	4-Way Valve Welding Assy.	1
22	461030007	4-W valve coil /SHF(L)-4H/7H(DCI)	1
23	461020004	4-W valve /SHF(L)-7H-34U	1
24	467000001	Compressor Power Cord	1
25	461040013	Electronic Expansion Valve DPF(Q)1.65C-63	1
26	461050014	EEV Coil QA(Q)12-HX-03	1
27	464210007	Φ7.94 sensor Clip	1
28	467400056	OCT Outdoor Coil Temperature Sensor	1
29	467400040	Sensor of OAT & OMT	1
30	467400200	CTT Compressor Top Temperature Sensor	1
31	4519606	Right side panel (painting plate)	1
32	433228	Back Side Net	1
33	462300127	Condenser Welding Assy.	1
34	4526298	Bridge	1
35	452813200	coil stopper	1
36	4519614	Painting Top Cover	1
37	4519300	Nut M5 L	1
38	433225	Handle	1
39	4519607	Left Side Panel Painting Plate	1

8.11 Exploded view of outdoor unit: YBD024



8.12 Spare part list of Outdoor Unit: YBD024

No	Part No	Description	Qty
1	465100000	Outlet grid	1
2	4523652	PAINTED LEFT CABINET ASSY	1
3	4523758	Nut M8 left	1
4	452960400	OUTDOOR FAN	1
5	461600002	4-Way Valve Assy.	1
6	452956700	4-way valve coil	1
7	4526522	Four-Way Valve R410A	1
8	452855600	DC Resin Motor(EHD80A90EC/SIC-71FW-F170-1)	1
9	4522601	Right Handle	1
10	4523653	Painted Right Cabinet Assy.	1
11	452966200	Compressor Top Thermistor(CTT)	1
12	452956500	Suction Thermistor(SUCT)	1
13	452677601	Outdoor Coil Thermistor(OCT)	1
14	452809900	Base Plate Painting Assy.	1
15	452803300	Compressor Assy. TNB220FLBM1	1
16	452783600	Oil Separator Assy.	1
17	452783200	Liquid-Gas Separator	1
18	453256100	Support Painting Assy./Gas-Liquid Separator	1
19	4526080	Valve Plate Paint Assy.	1
20	4526513	Low Press Valve R410A	1
21	4526514	High Press Valve R410A	1
22	4523654	Painted Right Back Cabinet Assy.	1
23	4522602	Valve Cover	1
24	4518950	Filter Drier BFK-053S	1
25	467300005	Display Assy.(optional)	1
26	204107	Cable clip Nylon	2
27	467420003	7 Poles Terminal Block	1
28	453138800	Terminal Plate	1
29	4526215	Electronic Expansion Valve ZDPF(L)-1.6C-01-RK	1
30	4526216	EEV COIL QA(L)12-MD-02	1
31	462300002	Condenser Assy.	1
32	453175500	Guard Net Painting Assy.	1
33	453083800	OAT Support	1
34	453256000	Choke Assy.	1
35	452809700	Partition Plate	1
36	453170000	Controller	1
37	452888500	Motor Support	1
38	464250004	Controller Connect Plate	1
39	4526968	Grounding wire with magnetic ring	1
40	4526774	Outdoor Air Thermistor(OAT)	1
41	4523657	Painted Top Cover Assy.	1
42	4522600	Left Handle	1