

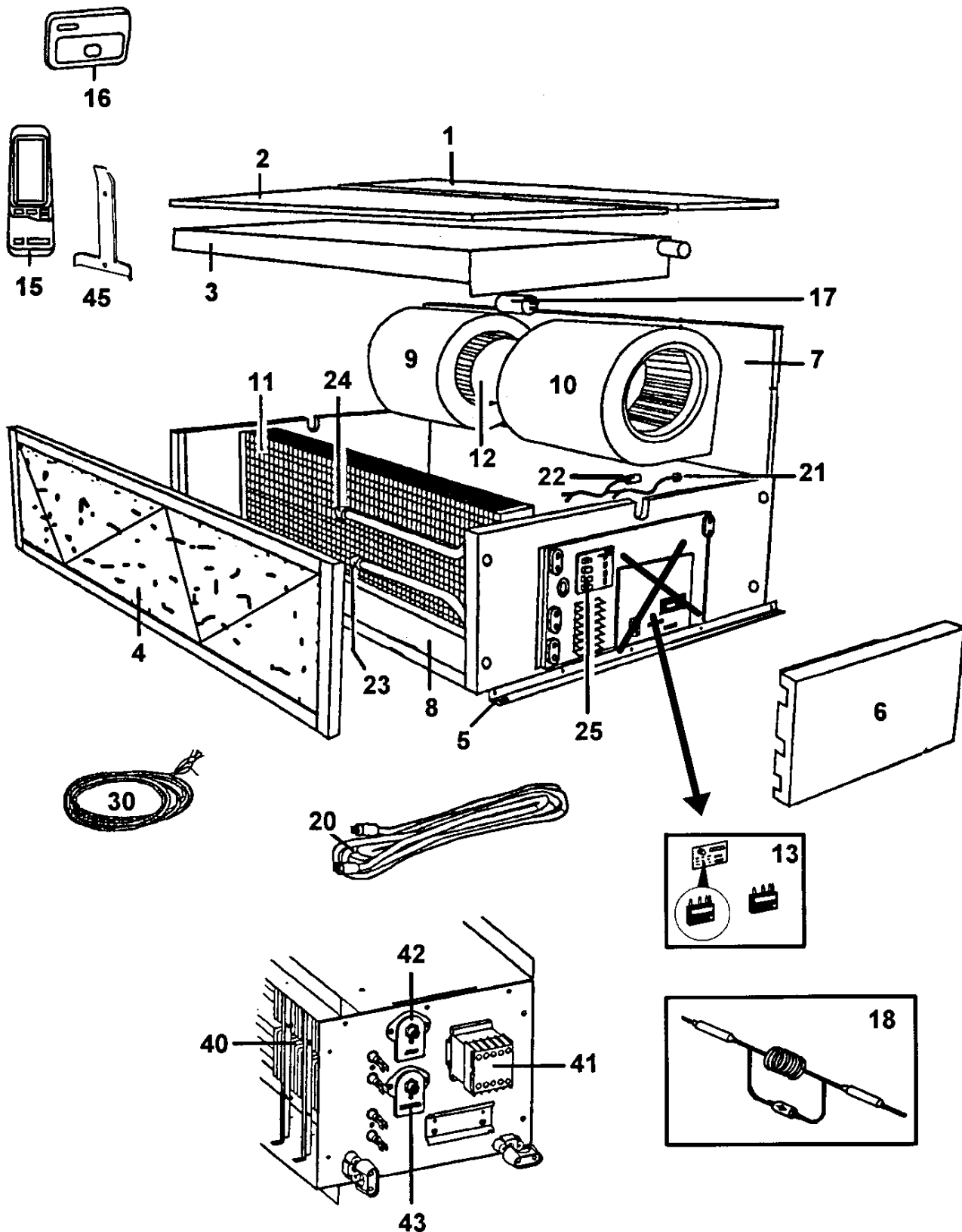
CD 17 / 22 / 26 / 35 / 43 / 50

Code Produit 7SP032012A → 7SP032017A



La carte électronique 234181 est épuisée.
Prendre le Kit 684750 (carte 10V4).

The electronic card 234181 isn't available.
Take the Kit 684750 (electronic card 10V4).



Modifiée le 03/10/1999

TH 2624 C

Brand :Airwell Model : CD 50/10V3

Product Number : 7SP032017A

Internal number : 612

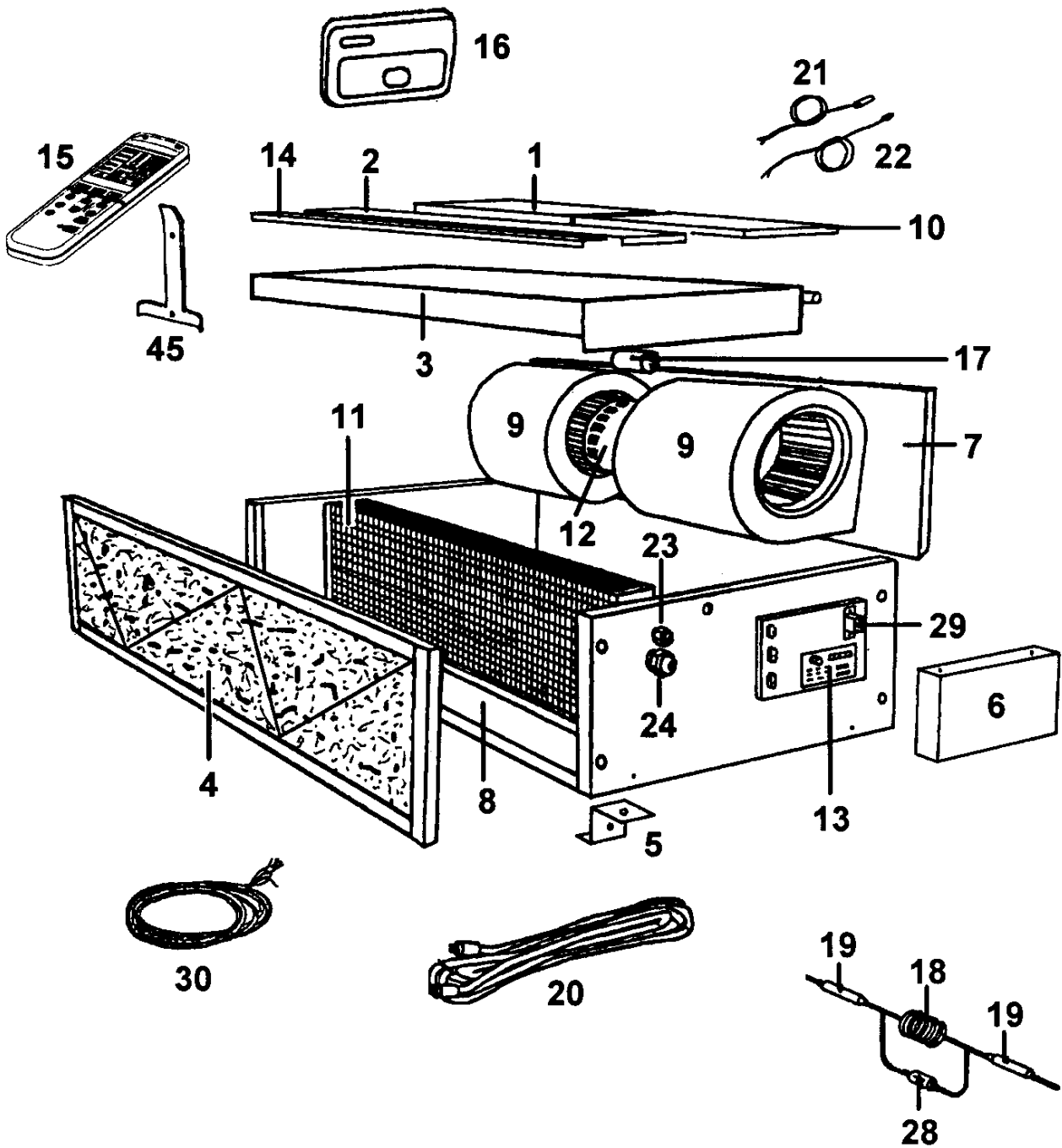
Version : Cool/Heat pump 230/1/50

Spare parts list used

Loc	Spare parts code	Replaced by	Qty	Description	Observation
4	221540		1	Air filter	
21	232299		1	Battery probe length 1,40m (black)	
1	684406		1	Bottom front panel	
2	684173		1	Bottom rear panel	
20	391703		1	Cable 7m/2 male contacts	
17	233053		1	Capacitor 10uF/400V	for motor 261518
18	684956		1	Capillary assembly	
41	230319		1	Contacteur LC1 D0910M7	case of E.H. 400V/6000W
41	230285		1	Contacteur LC1 D1210 M7	case of E.H. 400V/8100W
16	234163		1	Display box	
13	234181		1	Electronic card 10V3	DEPLETED - use 684750
11	421354+24		1	Evaporator	
3	405301+24		1	Evaporator tray assembly	
12	261518		1	Fan motor Elco MT1518	
7	684811		1	Fan motor unit with plate	
23	225241		1	Flare union assembly M 1/2" w/o valve	
24	225231		1	Flare union M 3/4"	
.	236320		1	Fuse 3.15AL 250V 5X20	for electronic card
13	234249		1	General control card 10V5 ER OST	
40	291238		3	Heating element 2000W - lg 1250mm	case of E.H. 400V/6000W
40	291236		3	Heating element 2700W - lg 1250mm	case of E.H. 400V/8100W
5	320656+21		2	Hook bar	
15	900087	900145	1	Infrared Remote control (RC4) Airwell	
.	684750		1	Kit of repl. card 10V3 by 10V4 (with plugs)	replace electronic card 231181
.	900116		1	Packaging CD50	
6	304125		1	Power unit cover	
30	391697		1	Probe connecting cable (10 m)	
25	234170		1	Relay electronic card	remove with 10V4 electronic version
22	232301		1	Room temperature probe length 650mm (red)	
42	232314		1	Safety thermostat auto Ranco LO7-P1019	electrical heating case
43	232313		1	Safety thermostat manual Ranco LM7-P6591	electrical heating case
8	684411		1	Top panel	
9	402015		2	Turbine/scroll assembly	right-hand and left-hand

SPLIT - SYSTEM GAINABLE CD 60

Code produit 7SP032032A



TH2681
Création 4/05/1999

Brand :Airwell Model : CD 60/10V4

Product Number : 7SP032032A

Internal number : 1068

Version : Cool/Heat pump 230/1/50

Spare parts list used

Loc	Spare parts code	Replaced by	Qty	Description	Observation
4	221546		1	Air filter	
22	232283		1	Air recovery probe length 1,40m	
5	323393		4	Attachment	
21	232299		1	Battery probe length 1,40m (black)	
2	307992		1	Bottom panel	
20	391703		1	Cable 7m/2 male contacts	
17	233039		1	Capacitor 17.5uF/400V	for fan motor
18	684957		1	Capillary assembly	
41	230280		1	Contacteur LC1 D1801M7	
41	230351		1	Contacteur LC1 K1210 U7	
16	234163		1	Display box	
11	9421374LC		1	Evaporator assy+tubing	
3	405531		1	Evaporator tray assembly	
12	261546		1	Fan motor Elco three-speed	
7	558058=01+26		1	Fan motor unit with plate	
14	307991		1	Filter panel	
23	225240		1	Flare union M 5/8"+caps/nut	
24	225242		1	Flare union M 7/8"+caps/nut	
.	236368		1	Fuse 5A T5x20	for electronic card
13	234249		1	General control card 10V5 ER OST	
40	291236		3	Heating element 2700W - lg 1250mm	
40	291259		3	Heating element 4000W - lg 1250mm	
15	900087	900145	1	Infrared Remote control (RC4) Airwell	
10	405532		1	LH bottom front panel	
26	391712		1	Out probe adapter cable	
.	900117		1	Packaging CD60	
50	243192		1	Plug ELDRC (heat pump)	
50	243193		1	Plug ELDRH (cooling only+EH)	
50	243194		1	Plug ELDSH (heat pump+EH) or 435727	
50	243191		1	Plug ELDST (cooling only)	
6	306288		1	Power unit cover	
30	391697		1	Probe connecting cable (10 m)	
29	230181		1	Relay Finder 12A 250V type 56.32	
1	405533		1	RH bottom front panel	

Brand :Airwell Model : CD 60/10V4

Product Number : 7SP032032A

Internal number : 1068

Version : Cool/Heat pump 230/1/50

Spare parts list used

Loc	Spare parts code	Replaced by	Qty	Description	Observation
42	232314		1	Safety thermostat auto Ranco LO7-P1019	
43	232244		1	Safety thermostat manual	
8	307989		1	Top panel	
9	402018		2	Turbine/scroll assembly	