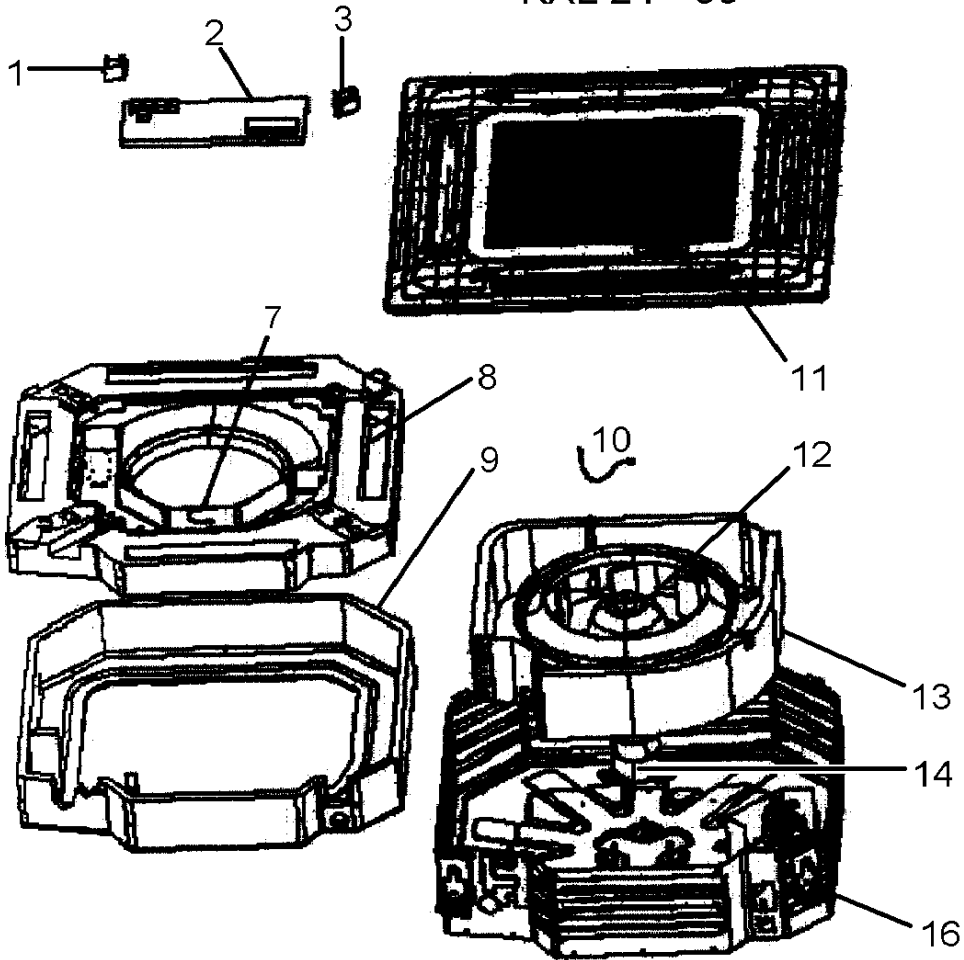
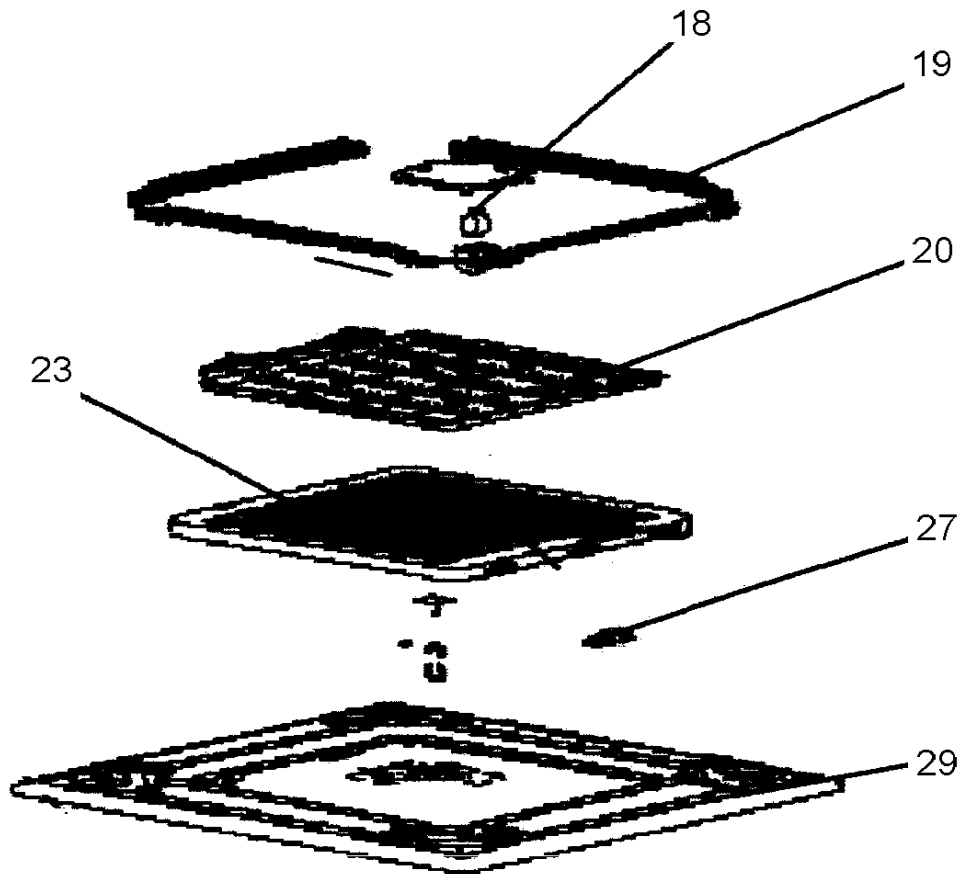


KXL 24 - 30



KXL 24 - 30



TH 3627-2

Brand :Airwell Model : KXL 24 DCI / R410

Product Number : 7SP012142

Internal number : 4400

Version : Heat pump 230/1/50

Spare parts list used

Loc	Spare parts code	Replaced by	Qty	Description	Observation
20	2114200024		1	Air filter	
16	4525530		1	Condensate pump	
8	2224200052		1	Condensate tray assembly	
2	467300035R		1	Electronic unit (EHK911A522-0)	
13	2154200011		1	Evaporator	
14	466100002		1	Fan motor 55W (770/740/700/620 rpm)	
1	455000103		1	Fan motor capacitor	
19	8224200007		4	Flap	
18	2114200011		1	Infrared receiver bottom	
27	4523483		1	Infrared receiver card	
.	2114200022		1	Infrared receiver cover	
10	4523277		1	Probe ICT (battery)	
7	4523278		1	Room temperature probe	
18	2240010007		1	Step motor	
23	2114200020		1	Suction grill	
11	453014400		1	Suction grill assy	
3	4523162		1	Transformer	
12	2114200003		1	Turbine	

Brand :Airwell Model : KXL 30 DCI / R410

Product Number : 7SP012147

Internal number : 4401

Version : Heat pump 230/1/50

Spare parts list used

Loc	Spare parts code	Replaced by	Qty	Description	Observation
20	2114200024		1	Air filter	
16	4525530		1	Condensate pump	
8	2224200601		1	Condensate tray assembly	
2	467300035R		1	Electronic unit (EHK911A522-0)	
13	2154200651		1	Evaporator	
9	2224209005		1	Evaporator base	
14	466100004		1	Fan motor 56W (600/580/540/500 rpm)	
1	455000103		1	Fan motor capacitor	
19	8224200007		4	Flap	
18	2114200011		1	Infrared receiver bottom	
27	4523483		1	Infrared receiver card	
.	2114200022		1	Infrared receiver cover	
10	4523277		1	Probe ICT (battery)	
7	4523278		1	Room temperature probe	
18	2240010007		1	Step motor	
23	2114200020		1	Suction grill	
11	453014400		1	Suction grill assy	
3	4523162		1	Transformer	
12	2114200601		1	Turbine	