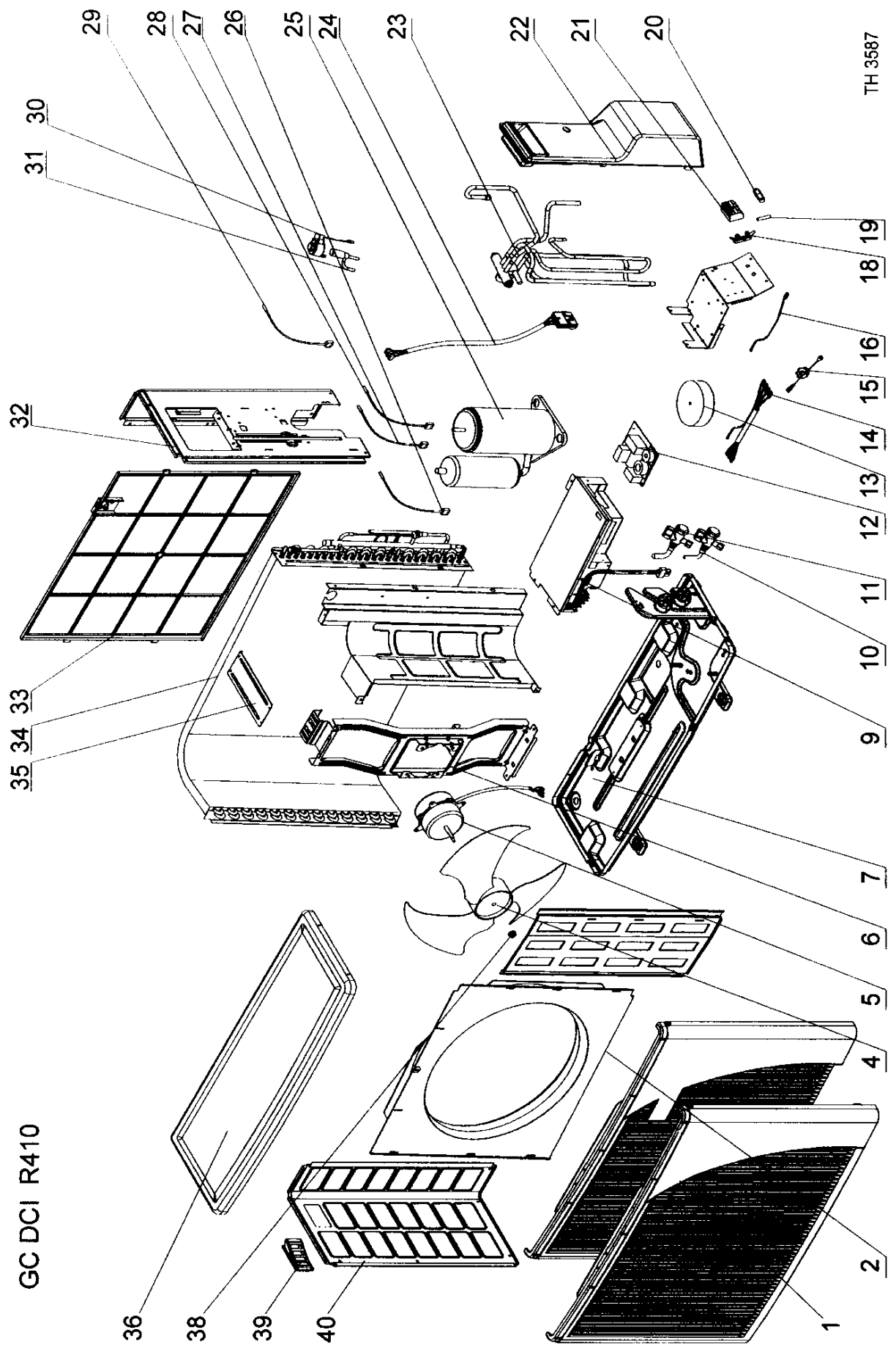


GC DCI R410



Brand :Airwell Model : GC 9 DC INV / R410

Product Number : 7SP061420

Internal number : 3629

Version : Heat pump 230/1/50

Spare parts list used

| Loc | Spare parts code | Replaced by | Qty | Description | Observation |
|-----|------------------|-------------|-----|----------------------------------|-------------|
| 14 | 4526223 | | 1 | AC-IN wire | |
| 2 | 4526340 | | 1 | Baffle | |
| 28 | 4526776 | | 1 | Battery probe | |
| 7 | 4523060 | | 1 | Bottom | |
| 20 | 204107 | | 1 | Cable clamp | |
| 13 | 4526396 | 4526396R | 1 | Choke assy 167-021-01 | |
| 30 | 452682802 | | 1 | Coil solenoid valve | |
| 25 | 4526204 | | 1 | Compressor Matsushita 5RS102XAB | |
| 24 | 4526221 | | 1 | Compressor wiring | |
| 34 | 4526368 | | 1 | Condenser | |
| 15 | 4526968 | | 1 | Earthing wire with magnetic ring | |
| 12 | 4526224 | | 1 | EMI filter board | |
| 5 | 4527092 | | 1 | Fan motor | |
| 1 | 433218 | | 1 | Front panel | |
| 19 | 4526219 | 4526219R | 1 | Fuse 6C / 15A-230V | |
| 16 | 4526222 | | 1 | Fuse connected wire | |
| 18 | 4526220 | | 1 | Fuse support JEF-511B | |
| 10 | 4524177 | | 1 | Gas valve 3/8" | |
| 39 | 433225 | | 1 | Handle | |
| 35 | 4526298 | | 1 | Leg motor support | |
| 40 | 4519607 | | 1 | LH panel | |
| 11 | 4524176 | | 1 | Liquid valve 1/4" | |
| 6 | 433215 | | 1 | Motor support | |
| 27 | 4526774 | | 1 | Outdoor air probe | |
| 9 | 4526403 | 4526403R | 1 | Outdoor controler | |
| 38 | 4519300 | | 1 | Propeller attachment Nut | |
| 4 | 4526476 | | 1 | Propeller d=401mm | |
| 33 | 433228 | | 1 | Rear grill | |
| 23 | 4526367 | | 1 | Reversing valve+tubing | |
| 32 | 4519606 | | 1 | RH panel | |
| 31 | 4526827 | | 1 | Solenoid valve | |
| 29 | 4526969 | | 1 | Suction tube thermistor | |
| 21 | 4519188 | | 1 | Terminal strip 4 terminals | |
| 26 | 4526775 | | 1 | Thermistor compressor | |
| | | | | | |

Brand :Airwell Model : GC 9 DC INV / R410

Product Number : 7SP061420

Internal number : 3629

Version : Heat pump 230/1/50

Spare parts list used

| Loc | Spare parts code | Replaced by | Qty | Description | Observation |
|------------|-------------------------|--------------------|------------|--------------------|--------------------|
| 36 | 4519614 | | 1 | Top panel | |
| 22 | 433229 | | 1 | Valve cover | |

Brand :Airwell Model : GC 12 DC INV / R410

Product Number : 7SP061421

Internal number : 3630

Version : Heat pump 230/1/50

Spare parts list used

| Loc | Spare parts code | Replaced by | Qty | Description | Observation |
|-----|------------------|-------------|-----|----------------------------------|-------------|
| 14 | 4526223 | | 1 | AC-IN wire | |
| 2 | 4526340 | | 1 | Baffle | |
| 28 | 4526776 | | 1 | Battery probe | |
| 7 | 4523060 | | 1 | Bottom | |
| 20 | 204107 | | 1 | Cable clamp | |
| 13 | 4526396 | 4526396R | 1 | Choke assy 167-021-01 | |
| 30 | 452682802 | | 1 | Coil solenoid valve | |
| 25 | 4526204 | | 1 | Compressor Matsushita 5RS102XAB | |
| 24 | 4526221 | | 1 | Compressor wiring | |
| 34 | 4526368 | | 1 | Condenser | |
| 15 | 4526968 | | 1 | Earthing wire with magnetic ring | |
| 12 | 4526224 | | 1 | EMI filter board | |
| 5 | 4527092 | | 1 | Fan motor | |
| 1 | 433218 | | 1 | Front panel | |
| 19 | 4526219 | 4526219R | 1 | Fuse 6C / 15A-230V | |
| 16 | 4526222 | | 1 | Fuse connected wire | |
| 18 | 4526220 | | 1 | Fuse support JEF-511B | |
| 10 | 4524177 | | 1 | Gas valve 3/8" | |
| 39 | 433225 | | 1 | Handle | |
| 35 | 4526298 | | 1 | Leg motor support | |
| 40 | 4519607 | | 1 | LH panel | |
| 11 | 4524176 | | 1 | Liquid valve 1/4" | |
| 6 | 433215 | | 1 | Motor support | |
| 27 | 4526774 | | 1 | Outdoor air probe | |
| 9 | 4526403 | 4526403R | 1 | Outdoor controler | |
| 38 | 4519300 | | 1 | Propeller attachment Nut | |
| 4 | 4526476 | | 1 | Propeller d=401mm | |
| 33 | 433228 | | 1 | Rear grill | |
| 23 | 4526393 | | 1 | Reversing valve+tubing | |
| 32 | 4519606 | | 1 | RH panel | |
| 31 | 4526827 | | 1 | Solenoid valve | |
| 29 | 4526969 | | 1 | Suction tube thermistor | |
| 21 | 4519188 | | 1 | Terminal strip 4 terminals | |
| 26 | 4526775 | | 1 | Thermistor compressor | |
| | | | | | |

Brand :Airwell Model : GC 12 DC INV / R410

Product Number : 7SP061421

Internal number : 3630

Version : Heat pump 230/1/50

Spare parts list used

| Loc | Spare parts code | Replaced by | Qty | Description | Observation |
|------------|-------------------------|--------------------|------------|--------------------|--------------------|
| 36 | 4519614 | | 1 | Top panel | |
| 22 | 433229 | | 1 | Valve cover | |

Brand :Airwell Model : GC 18 DCI / R410

Product Number : 7SP061422

Internal number : 3631

Version : Heat pump 230/1/50

Spare parts list used

| Loc | Spare parts code | Replaced by | Qty | Description | Observation |
|-----|------------------|-------------|-----|----------------------------------|-------------|
| 14 | 4526223 | | 1 | AC-IN wire | |
| 2 | 4526340 | | 1 | Baffle | |
| 28 | 4526776 | | 1 | Battery probe | |
| 7 | 4527363 | | 1 | Bottom | |
| 20 | 204107 | | 1 | Cable clamp | |
| 13 | 4526396 | 4526396R | 1 | Choke assy 167-021-01 | |
| 30 | 4526216 | | 1 | Coil 12-HR-01A-R | |
| 25 | 4523446 | | 1 | Compressor DC Inverter 5CS13 | |
| 24 | 4526221 | | 1 | Compressor wiring | |
| 34 | 4526459 | | 1 | Condenser | |
| 15 | 4526968 | | 1 | Earthing wire with magnetic ring | |
| 31 | 4526215 | | 1 | Electronic valve | |
| 12 | 4526224 | | 1 | EMI filter board | |
| 5 | 4527092 | | 1 | Fan motor | |
| 1 | 433218 | | 1 | Front panel | |
| 19 | 4526533 | | 1 | Fuse 6C / 20A-250V | |
| 16 | 4526222 | | 1 | Fuse connected wire | |
| 18 | 4526220 | | 1 | Fuse support JEF-511B | |
| 10 | 4524595 | | 1 | Gas valve 1/2" | |
| 39 | 433225 | | 1 | Handle | |
| 35 | 4526298 | | 1 | Leg motor support | |
| 40 | 4519607 | | 1 | LH panel | |
| 11 | 4524176 | | 1 | Liquid valve 1/4" | |
| 6 | 433215 | | 1 | Motor support | |
| 27 | 4526774 | | 1 | Outdoor air probe | |
| 9 | 4526203 | | 1 | Outdoor controler | |
| 38 | 4519300 | | 1 | Propeller attachment Nut | |
| 4 | 4526476 | | 1 | Propeller d=401mm | |
| 33 | 433228 | | 1 | Rear grill | |
| 23 | 4527327 | | 1 | Reversing valve+tubing | |
| 32 | 4519606 | | 1 | RH panel | |
| 29 | 4526969 | | 1 | Suction tube thermistor | |
| 21 | 4519188 | | 1 | Terminal strip 4 terminals | |
| 26 | 4526775 | | 1 | Thermistor compressor | |
| | | | | | |

Brand :Airwell Model : GC 18 DCI / R410

Product Number : 7SP061422

Internal number : 3631

Version : Heat pump 230/1/50

Spare parts list used

| Loc | Spare parts code | Replaced by | Qty | Description | Observation |
|------------|-------------------------|--------------------|------------|--------------------|--------------------|
| 36 | 4519614 | | 1 | Top panel | |
| 22 | 433229 | | 1 | Valve cover | |