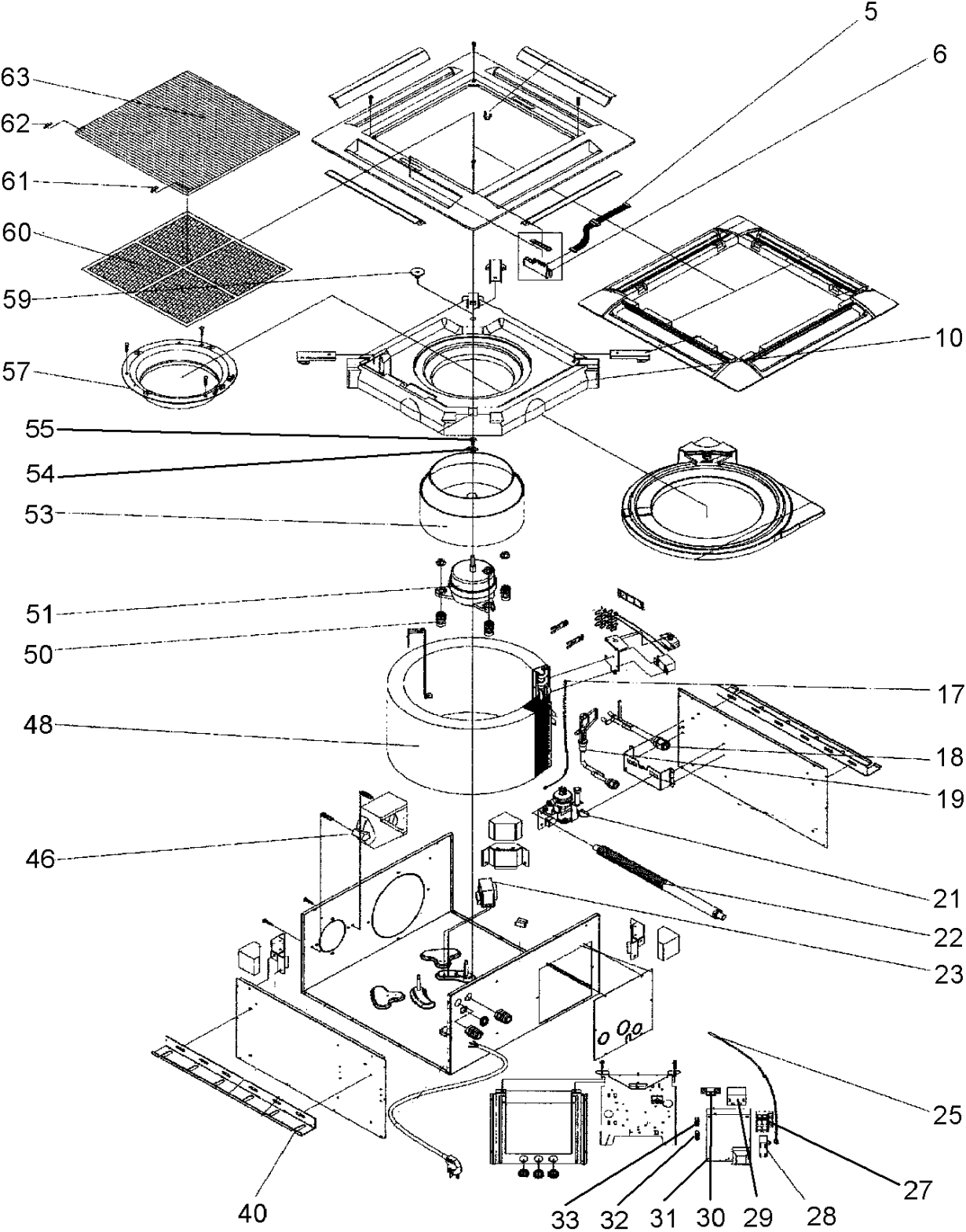
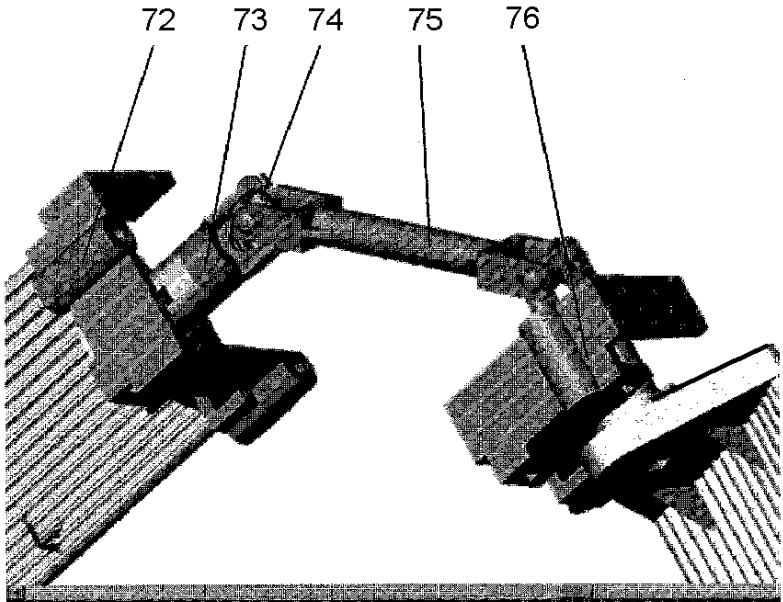
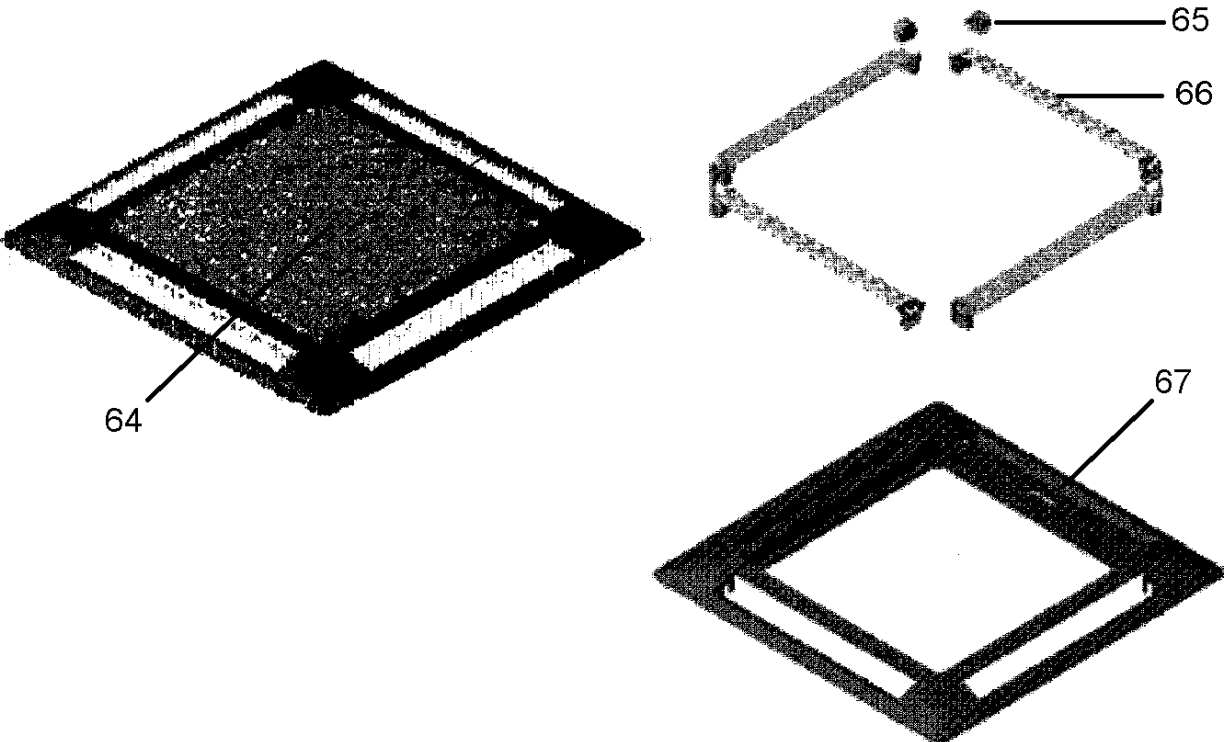


ECF 9 - 11 - 15 - 18 - 24



ECF 9 - 11 - 15 - 18 - 24



Brand :Airwell Model : K 9 DC INV / R410

Product Number : 7SP042088

Internal number : 4012

Version : Heat pump 230/1/50

Spare parts list used

Loc	Spare parts code	Replaced by	Qty	Description	Observation
60	221504		1	Air filter	
40	326196		2	Attachment	
23	452827401		1	Auto-transformer DCI	
10	4520923		1	Baflfe (condensate tray)	
17	232299		1	Battery probe length 1,40m (black)	
21	4522038		1	Condensate pump	
59	374019		1	Drain plug	
22	369055		1	Drain tube lg 900mm	
31	4526212		1	Electronic card Storm DC	
48	4527563		1	Evaporator	
55	4521023		1	Fan bolt M5x16	
28	455000000		1	Fan motor capacitor	
51	261752	261764+(237055 et 2	1	Fan motor Elco (three tabs) 95W	
54	245138		1	Fan rubber	
5	391746		1	Flat cable lg 500mm (card/display)	
.	4522037		1	Float valve	
67	4523556		1	Front frame white	
18	4527521		1	Gas valve assy	
74	4523562		4	Gimbal	
63	4521916		1	Grill (RAL 9016)	
.	900087	900145	1	Infrared Remote control (RC4) Airwell	
72	4525039		4	Left bracket motor	
61	4521919		1	LH grill lock (RAL 9016)	
19	4527523		1	Liquid valve assy	
66	4523557		4	Louver white	
64	452864200		1	Motorized louver front	
46	4520909		1	Outside air inlet	
33	452908900		1	Plug DCI	
6	234132		1	Receiver assembly	
62	4521920		1	RH grill lock (RAL 9016)	
76	4525041		4	Right bracket motor	
25	438413		1	Room temperature probe length 650mm (red)	
73	4523563		4	Shaft adapter	
50	4522157		3	Silent-block shock mount	

Brand :Airwell Model : K 9 DC INV / R410

Product Number : 7SP042088

Internal number : 4012

Version : Heat pump 230/1/50

Spare parts list used

Loc	Spare parts code	Replaced by	Qty	Description	Observation
65	4525353		2	Step motor	
.	4525354		1	Step motors wire	
57	374152		1	Suction inlet	
75	4523561		2	Transmission shaft	
53	4520942		1	Turbine	

Brand :Airwell Model : K 12 DC INV / R410

Product Number : 7SP042089

Internal number : 4013

Version : Heat pump 230/1/50

Spare parts list used

Loc	Spare parts code	Replaced by	Qty	Description	Observation
60	221504		1	Air filter	
40	326196		2	Attachment	
23	452827401		1	Auto-transformer DCI	
10	4520923		1	Baiffe (condensate tray)	
17	232299		1	Battery probe length 1,40m (black)	
21	4522038		1	Condensate pump	
59	374019		1	Drain plug	
22	369055		1	Drain tube lg 900mm	
31	4526212		1	Electronic card Storm DC	
48	4527563		1	Evaporator	
55	4521023		1	Fan bolt M5x16	
28	455000000		1	Fan motor capacitor	
51	261752	261764+(237055 et 2	1	Fan motor Elco (three tabs) 95W	
54	245138		1	Fan rubber	
5	391746		1	Flat cable lg 500mm (card/display)	
.	4522037		1	Float valve	
67	4523556		1	Front frame white	
18	4527521		1	Gas valve assy	
74	4523562		4	Gimbal	
63	4521916		1	Grill (RAL 9016)	
.	900087	900145	1	Infrared Remote control (RC4) Airwell	no drawing
72	4525039		4	Left bracket motor	
61	4521919		1	LH grill lock (RAL 9016)	
19	4527523		1	Liquid valve assy	
66	4523557		4	Louver white	
64	452864200		1	Motorized louver front	
46	4520909		1	Outside air inlet	
33	452908900		1	Plug DCI	
6	234132		1	Receiver assembly	
62	4521920		1	RH grill lock (RAL 9016)	
76	4525041		4	Right bracket motor	
25	438413		1	Room temperature probe length 650mm (red)	
73	4523563		4	Shaft adapter	
50	4522157		3	Silent-block shock mount	

Brand :Airwell Model : K 12 DC INV / R410

Product Number : 7SP042089

Internal number : 4013

Version : Heat pump 230/1/50

Spare parts list used

Loc	Spare parts code	Replaced by	Qty	Description	Observation
65	4525353		2	Step motor	
57	374152		1	Suction inlet	
75	4523561		2	Transmission shaft	
53	4520942		1	Turbine	

Brand :Airwell Model : K 18 DCI / R410

Product Number : 7SP042090

Internal number : 3975

Version : Heat pump 230/1/50

Spare parts list used

Loc	Spare parts code	Replaced by	Qty	Description	Observation
60	221504		1	Air filter	
40	326196		2	Attachment	
23	452827400		1	Auto-transformer 80W	
10	4520923		1	Baflfe (condensate tray)	
17	232299		1	Battery probe length 1,40m (black)	
21	4522038		1	Condensate pump	
59	374019		1	Drain plug	
22	369055		1	Drain tube lg 900mm	
31	4526212		1	Electronic card Storm DC	
48	452783800		1	Evaporator	
55	4521023		1	Fan bolt M5x16	
28	455000000		1	Fan motor capacitor	
51	261752	261764+(237055 et 2	1	Fan motor Elco (three tabs) 95W	
54	245138		1	Fan rubber	
5	391746		1	Flat cable lg 500mm (card/display)	
.	4522037		1	Float valve	
67	4523556		1	Front frame white	
18	452783900		1	Gas valve assy	
74	4523562		4	Gimbal	
63	4521916		1	Grill (RAL 9016)	
72	4525039		1	Left bracket motor	
61	4521919		1	LH grill lock (RAL 9016)	
19	452784000		1	Liquid tube assy	
66	4523557		1	Louver white	
64	452864200		1	Motorized louver front	
46	4520909		1	Outside air inlet	
33	452807400		1	Plug	
6	234132		1	Receiver assembly	
29	230356		1	Relay Finder NO 65-31-8-230-0300	
62	4521920		1	RH grill lock (RAL 9016)	
76	4525041		1	Right bracket motor	
25	438413		1	Room temperature probe length 650mm (red)	
73	4523563		4	Shaft adapter	
50	4522157		3	Silent-block shock mount	

Brand :Airwell Model : K 18 DCI / R410

Product Number : 7SP042090

Internal number : 3975

Version : Heat pump 230/1/50

Spare parts list used

Loc	Spare parts code	Replaced by	Qty	Description	Observation
65	4525353		2	Step motor	
57	374152		1	Suction inlet	
27	4521818		1	Terminal 10mm2	
30	4521817		1	Terminal 4mm2	
75	4523561		2	Transmission shaft	
53	4520942		1	Turbine	