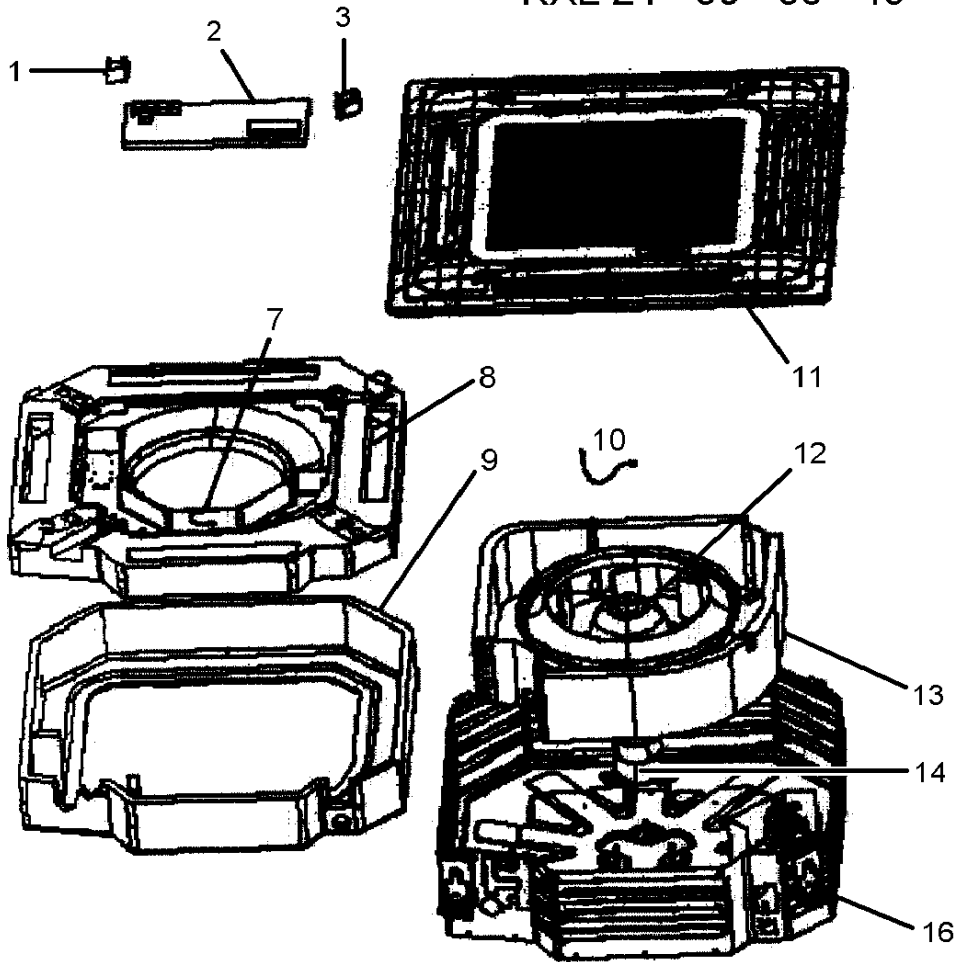


KXL 24 - 30 - 36 - 45



TH 3627

Brand :Airwell Model : KXL 24 CH RC / R407C

Product Number : 7SP042076

Internal number : 3513

Version : Heat pump 230/1/50

Spare parts list used

Loc	Spare parts code	Replaced by	Qty	Description	Observation
.	2114200024		1	Air filter	
1	4518042		1	Capacitor 3.5uF	
.	2114200002		1	Condensate drain	
.	2274200006		1	Condensate drain pipe	
16	4525530		1	Condensate pump	
8	2224200052		1	Condensate tray assembly	
2	4523482		1	Electronic card HK 911-085-01 10V5	
13	2154200010		1	Evaporator assembly	
9	2224200050		1	Evaporator base	
14	4525518		1	Fan motor	
.	4522037		1	Float valve	
11	4525641		1	Front assembly (without display card)	
.	2114200011		1	Infrared receiver bottom	
.	4523483		1	Infrared receiver card	
.	2114200022		1	Infrared receiver cover	
.	900145		1	Infrared remote control (RC4) Airwell	
10	4523277		1	Probe ICT (battery)	
7	4523278		1	Room temperature probe	
3	4523162		1	Transformer	
12	2114200003		1	Turbine	

Brand :Airwell Model : KXL 24 RC / R407C

Product Number : 7SP042075

Internal number : 3512

Version : Heat pump 230/1/50

Spare parts list used

Loc	Spare parts code	Replaced by	Qty	Description	Observation
.	2114200024		1	Air filter	
1	4518042		1	Capacitor 3.5uF	
.	2114200002		1	Condensate drain	
.	2274200006		1	Condensate drain pipe	
16	4525530		1	Condensate pump	
8	2224200052		1	Condensate tray assembly	
2	4523482		1	Electronic card HK 911-085-01 10V5	
13	2154200010		1	Evaporator assembly	
9	2224200050		1	Evaporator base	
14	4525518		1	Fan motor	
.	4522037		1	Float valve	
11	4525641		1	Front assembly (without display card)	
.	2114200011		1	Infrared receiver bottom	
.	4523483		1	Infrared receiver card	
.	2114200022		1	Infrared receiver cover	
.	900145		1	Infrared remote control (RC4) Airwell	
10	4523277		1	Probe ICT (battery)	
7	4523278		1	Room temperature probe	
3	4523162		1	Transformer	
12	2114200003		1	Turbine	

Brand :Airwell Model : KXL 24 RC / R407C

Product Number : 7SP042135

Internal number : 3820

Version : Heat pump 400/3/50

Spare parts list used

Loc	Spare parts code	Replaced by	Qty	Description	Observation
.	2114200024		1	Air filter	
.	2114200002		1	Condensate drain	
.	2274200006		1	Condensate drain pipe	
16	4525530		1	Condensate pump	
8	2224200052		1	Condensate tray assembly	
2	4523482		1	Electronic card HK 911-085-01 10V5	
13	2154200010		1	Evaporator assembly	
9	2224200050		1	Evaporator base	
14	4525518		1	Fan motor	
1	455000103		1	Fan motor capacitor	
.	4522037		1	Float valve	
11	452928400		1	Front assembly	
.	4523483		1	Infrared receiver card	
.	900145		1	Infrared remote control (RC4) Airwell	
10	4523277		1	Probe ICT (battery)	
7	4523278		1	Room temperature probe	
3	4523162		1	Transformer	
12	2114200003		1	Turbine	

Brand :Airwell Model : KXL 30 CH RC / R407C

Product Number : 7SP042080

Internal number : 3515

Version : Heat pump 230/1/50

Spare parts list used

Loc	Spare parts code	Replaced by	Qty	Description	Observation
.	2114200024		1	Air filter	
1	4518042		1	Capacitor 3.5uF	
.	2114200002		1	Condensate drain	
.	2274200006		1	Condensate drain pipe	
16	4525530		1	Condensate pump	
8	2224200052		1	Condensate tray assembly	
.	453137300		1	Electric heating kit	
2	4523482		1	Electronic card HK 911-085-01 10V5	
13	2154200010		1	Evaporator assembly	
9	2224200050		1	Evaporator base	
14	4525519		1	Fan motor	
.	4522037		1	Float valve	
11	4525641		1	Front assembly (without display card)	
.	2114200011		1	Infrared receiver bottom	
.	4523483		1	Infrared receiver card	
.	2114200022		1	Infrared receiver cover	
.	900145		1	Infrared remote control (RC4) Airwell	
10	4523277		1	Probe ICT (battery)	
7	4523278		1	Room temperature probe	
3	4523162		1	Transformer	
12	2114200003		1	Turbine	

Brand :Airwell Model : KXL 30 RC / R407C

Product Number : 7SP042079

Internal number : 3514

Version : Heat pump 230/1/50

Spare parts list used

Loc	Spare parts code	Replaced by	Qty	Description	Observation
.	2114200024		1	Air filter	
1	4518042		1	Capacitor 3.5uF	
.	2114200002		1	Condensate drain	
.	2274200006		1	Condensate drain pipe	
16	4525530		1	Condensate pump	
8	2224200052		1	Condensate tray assembly	
2	4523482		1	Electronic card HK 911-085-01 10V5	
13	2154200010		1	Evaporator assembly	
9	2224200050		1	Evaporator base	
14	4525519		1	Fan motor	
.	4522037		1	Float valve	
11	4525641		1	Front assembly (without display card)	
.	2114200011		1	Infrared receiver bottom	
.	4523483		1	Infrared receiver card	
.	2114200022		1	Infrared receiver cover	
.	900145		1	Infrared remote control (RC4) Airwell	
10	4523277		1	Probe ICT (battery)	
7	4523278		1	Room temperature probe	
3	4523162		1	Transformer	
12	2114200003		1	Turbine	

Brand :Airwell Model : KXL 30 RC / R407C

Product Number : 7SP042136

Internal number : 3819

Version : Heat pump 400/3/50

Spare parts list used

Loc	Spare parts code	Replaced by	Qty	Description	Observation
.	2114200024		1	Air filter	
.	2114200002		1	Condensate drain	
.	2274200006		1	Condensate drain pipe	
16	4525530		1	Condensate pump	
8	2224200052		1	Condensate tray assembly	
2	4523482		1	Electronic card HK 911-085-01 10V5	
13	2154200010		1	Evaporator assembly	
9	2224200050		1	Evaporator base	
14	4525519		1	Fan motor	
1	455000103		1	Fan motor capacitor	
.	4522037		1	Float valve	
11	452928400		1	Front assembly	
.	4523483		1	Infrared receiver card	
.	900145		1	Infrared remote control (RC4) Airwell	
10	4523277		1	Probe ICT (battery)	
7	4523278		1	Room temperature probe	
3	4523162		1	Transformer	
12	2114200003		1	Turbine	

Brand :Airwell Model : KXL 36 CH RC / R407C

Product Number : 7SP042082

Internal number : 3517

Version : Heat pump 230/1/50

Spare parts list used

Loc	Spare parts code	Replaced by	Qty	Description	Observation
.	2114200024		1	Air filter	
1	4518042		1	Capacitor 3.5uF	
.	2114200002		1	Condensate drain	
.	2274200006		1	Condensate drain pipe	
16	4525530		1	Condensate pump	
8	2224200601		1	Condensate tray assembly	
2	4523482		1	Electronic card HK 911-085-01 10V5	
13	2154200610		1	Evaporator assembly	
9	2224209005		1	Evaporator base	
14	4525520		1	Fan motor	
.	4522037		1	Float valve	
11	4525641		1	Front assembly (without display card)	
.	2114200011		1	Infrared receiver bottom	
.	4523483		1	Infrared receiver card	
.	2114200022		1	Infrared receiver cover	
.	900145		1	Infrared remote control (RC4) Airwell	
10	4523277		1	Probe ICT (battery)	
.	461080001		1	Restrictor kit	
7	4523278		1	Room temperature probe	
3	4523162		1	Transformer	
12	2114200601		1	Turbine	

Brand :Airwell Model : KXL 36 RC / R407C

Product Number : 7SP042081

Internal number : 3516

Version : Heat pump 400/3/50

Spare parts list used

Loc	Spare parts code	Replaced by	Qty	Description	Observation
.	2114200024		1	Air filter	
1	4518042		1	Capacitor 3.5uF	
.	2114200002		1	Condensate drain	
.	2274200006		1	Condensate drain pipe	
16	4525530		1	Condensate pump	
8	2224200601		1	Condensate tray assembly	
2	4523482		1	Electronic card HK 911-085-01 10V5	
13	2154200610		1	Evaporator assembly	
9	2224209005		1	Evaporator base	
14	4525520		1	Fan motor	
.	4522037		1	Float valve	
11	4525641		1	Front assembly (without display card)	
.	2114200011		1	Infrared receiver bottom	
.	4523483		1	Infrared receiver card	
.	2114200022		1	Infrared receiver cover	
.	900145		1	Infrared remote control (RC4) Airwell	
10	4523277		1	Probe ICT (battery)	
.	461080001		1	Restrictor kit	
7	4523278		1	Room temperature probe	
3	4523162		1	Transformer	
12	2114200601		1	Turbine	

Brand :Airwell Model : KXL 45 CH RC / R407C

Product Number : 7SP042084

Internal number : 3519

Version : Heat pump 230/1/50

Spare parts list used

Loc	Spare parts code	Replaced by	Qty	Description	Observation
.	2114200024		1	Air filter	
1	4518042		1	Capacitor 3.5uF	
.	2114200002		1	Condensate drain	
.	2274200006		1	Condensate drain pipe	
16	4525530		1	Condensate pump	
8	2224200601		1	Condensate tray assembly	
2	4523482		1	Electronic card HK 911-085-01 10V5	
13	2154200610		1	Evaporator assembly	
9	2224209005		1	Evaporator base	
14	4525521		1	Fan motor	
.	4522037		1	Float valve	
11	4525641		1	Front assembly (without display card)	
.	2114200011		1	Infrared receiver bottom	
.	4523483		1	Infrared receiver card	
.	2114200022		1	Infrared receiver cover	
.	900145		1	Infrared remote control (RC4) Airwell	
10	4523277		1	Probe ICT (battery)	
.	4523493		1	Restrictor kit	
7	4523278		1	Room temperature probe	
3	4523162		1	Transformer	
12	2114200601		1	Turbine	

Brand :Airwell Model : KXL 45 RC / R407C

Product Number : 7SP042083

Internal number : 3518

Version : Heat pump 400/3/50

Spare parts list used

Loc	Spare parts code	Replaced by	Qty	Description	Observation
.	2114200024		1	Air filter	
1	4518042		1	Capacitor 3.5uF	
.	2114200002		1	Condensate drain	
.	2274200006		1	Condensate drain pipe	
16	4525530		1	Condensate pump	
8	2224200601		1	Condensate tray assembly	
2	4523482		1	Electronic card HK 911-085-01 10V5	
13	2154200610		1	Evaporator assembly	
9	2224209005		1	Evaporator base	
14	4525521		1	Fan motor	
.	4522037		1	Float valve	
11	4525641		1	Front assembly (without display card)	
.	2114200011		1	Infrared receiver bottom	
.	4523483		1	Infrared receiver card	
.	2114200022		1	Infrared receiver cover	
.	900145		1	Infrared remote control (RC4) Airwell	
10	4523277		1	Probe ICT (battery)	
.	4523493		1	Restrictor kit	
7	4523278		1	Room temperature probe	
3	4523162		1	Transformer	
12	2114200601		1	Turbine	