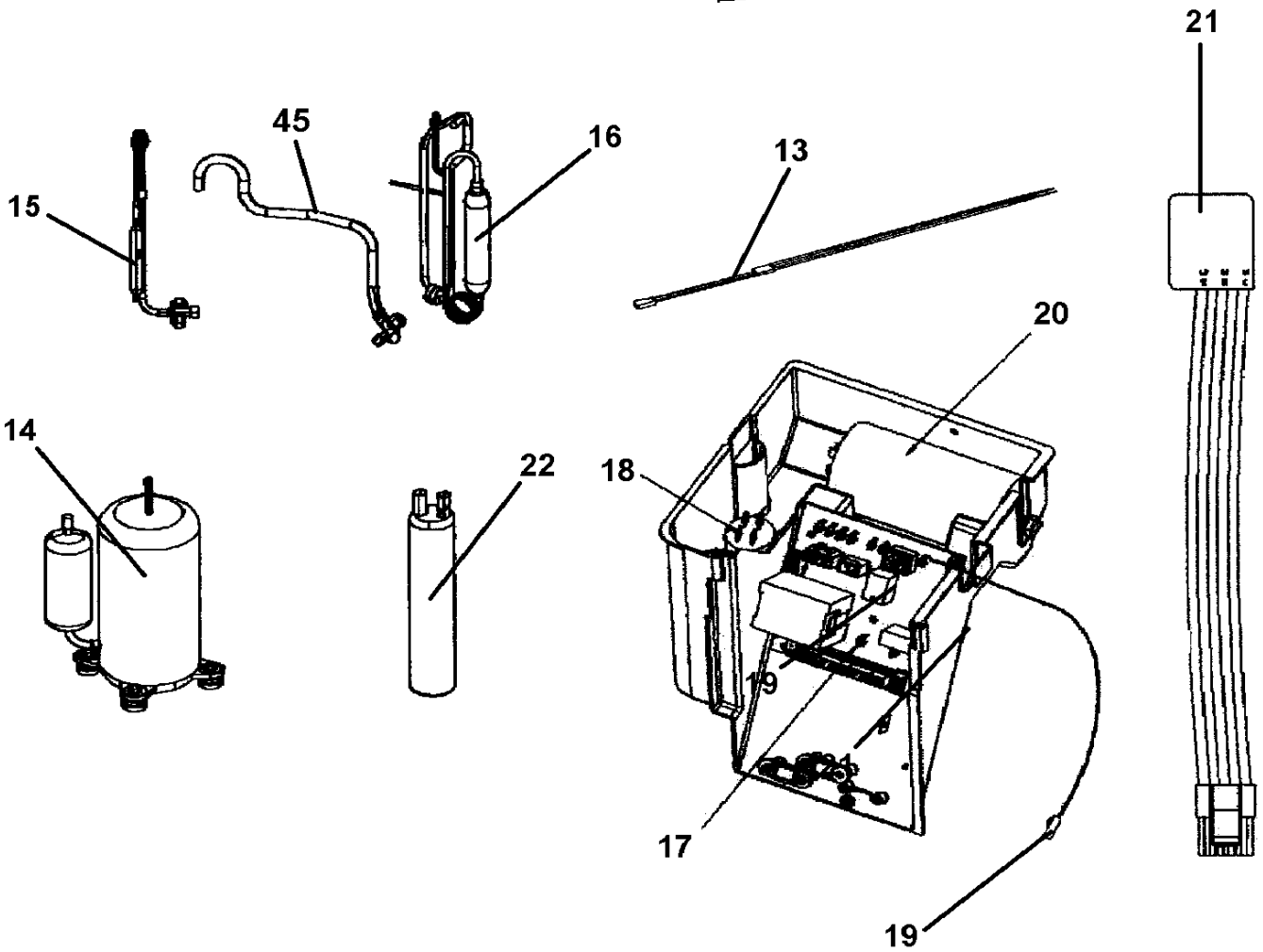
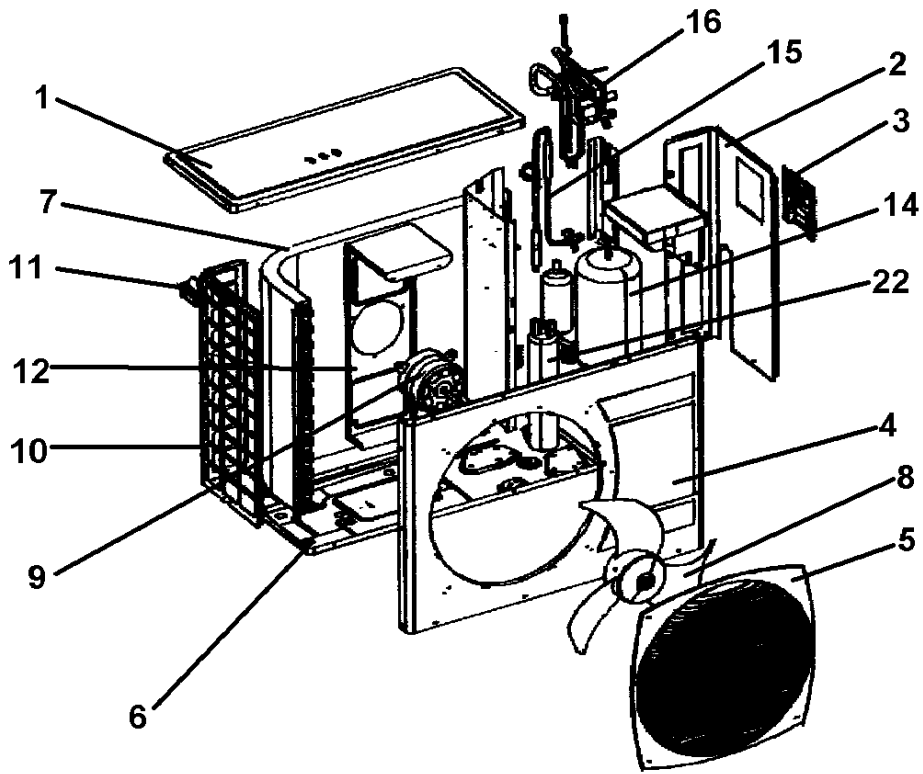


GCN 24 N - R410



Brand :Airwell Model : GCN 24 N / R410

Product Number : 7SP061594

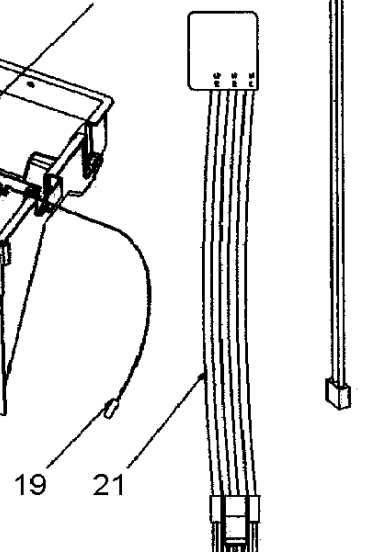
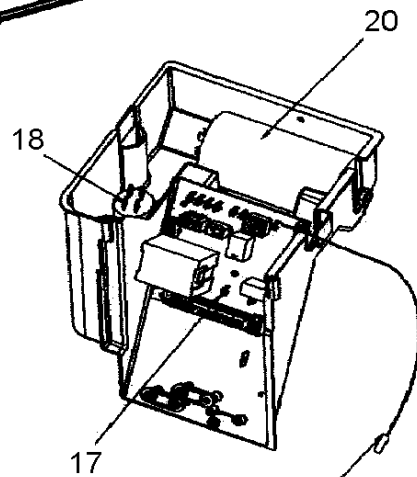
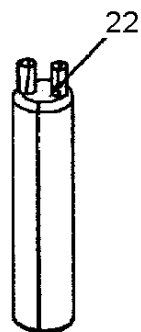
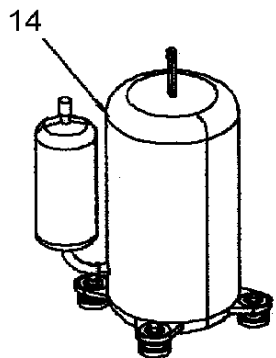
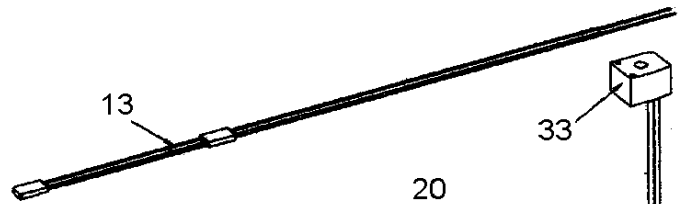
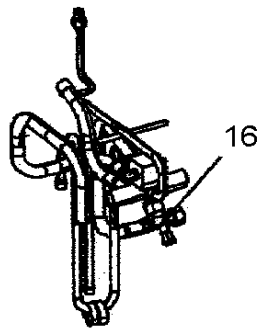
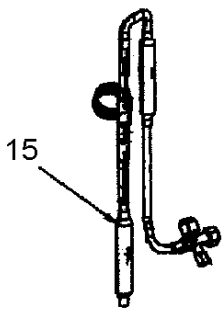
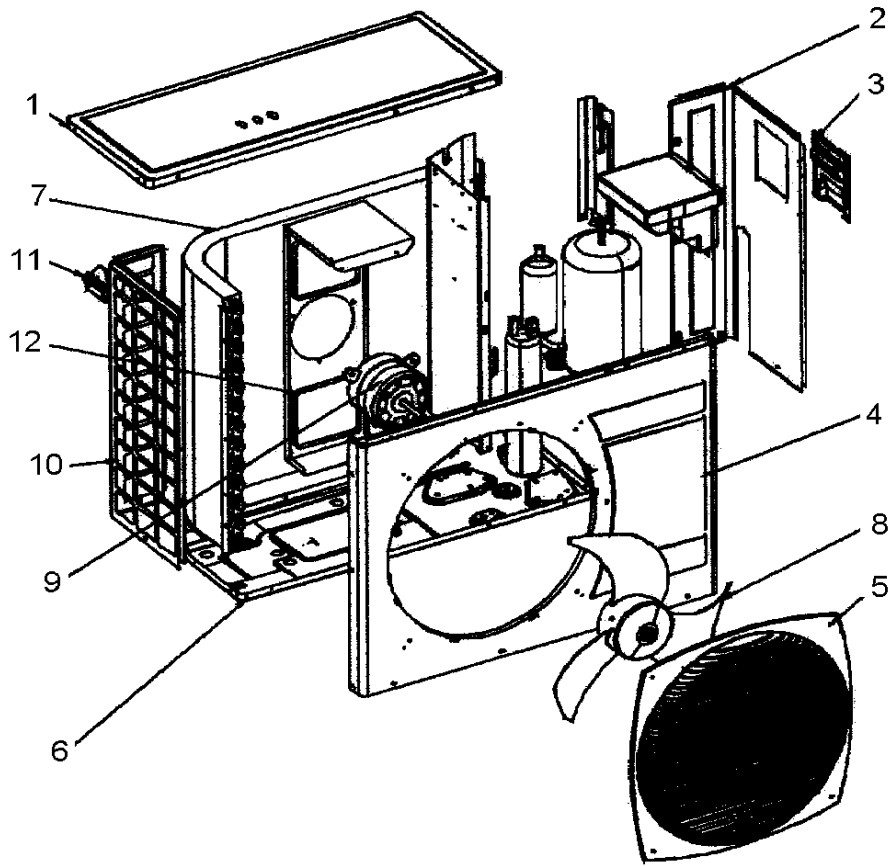
Internal number : 4386

Version : Cooling only 230/1/50

Spare parts list used

Loc	Spare parts code	Replaced by	Qty	Description	Observation
6	433705		1	Bottom assy	
20	442016		1	Capacitor 55uF/400V	
18	442007		1	Capacitor 6uF/400V	
15	433845		1	Capillary assembly	
13	190443		1	Casing resistor Mitsubishi	
14	433293		1	Compressor Mitsubishi NH NN27VBAMT	
21	437274		1	Compressor wiring Mitsubishi	
7	433846		1	Condenser	
22	402283		1	Cylinder liquid storage 3,5 l	
3	436357		1	Electrical box panel	
17	402495	473279	1	Electronic card Typhoon 5B	
9	434062		1	Fan motor 86W	
12	439342		1	Fan motor support	
4	439329		1	Front panel	
45	433847		1	Gas valve assy	
5	437091		1	Grill square (rounded)	
11	436358	371054	1	Handle	
10	433281		1	LH panel	
19	434716		1	Probe lg 1050mm (coil)	
8	4529604		1	Propeller D493*143	
2	433280		1	RH panel	
1	437045		1	Top panel	
16	433817		1	Tubing assembly	

GC 24 NRC



Brand :Airwell Model : GC 24 NRC / R410

Product Number : 7SP061596

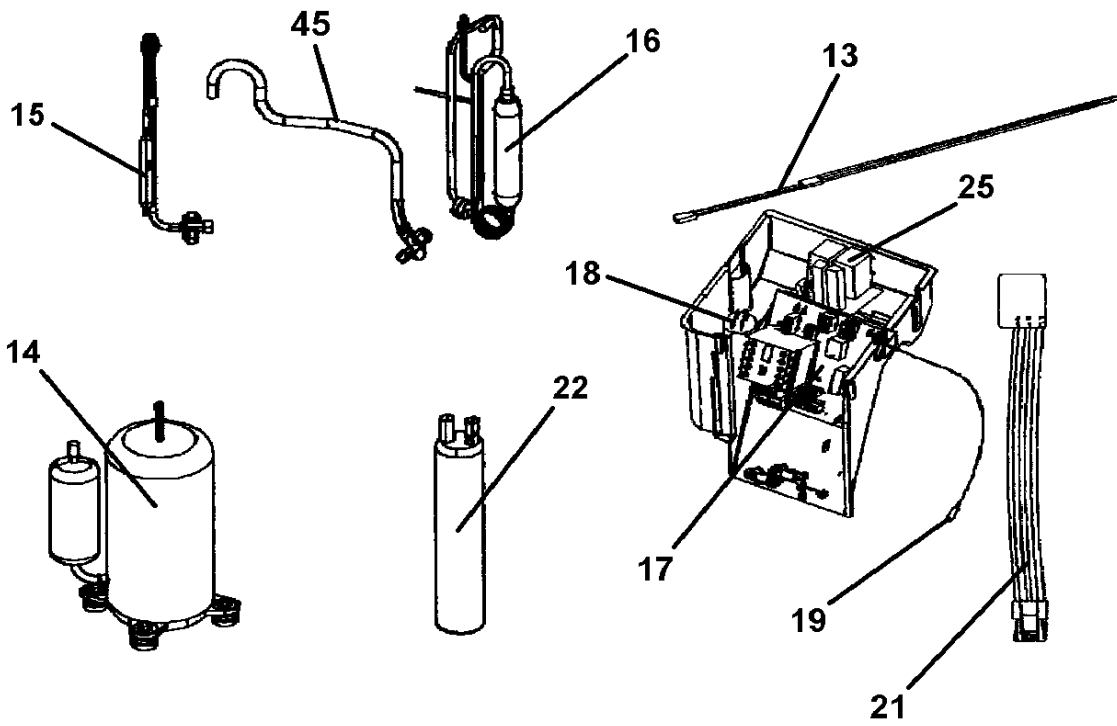
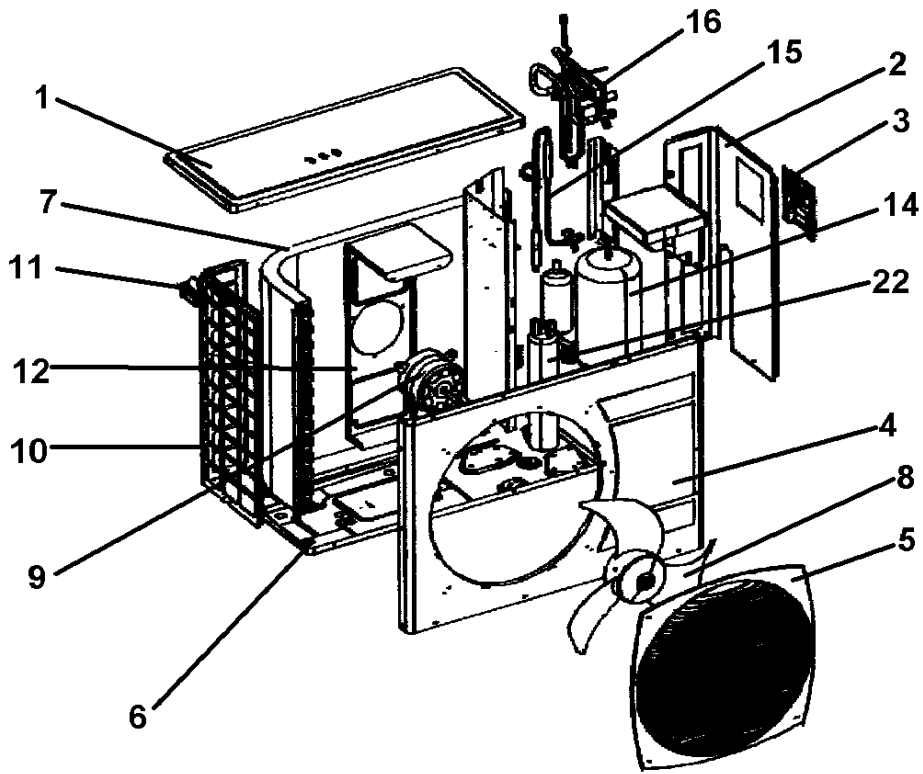
Internal number : 4177

Version : Heat pump 230/1/50

Spare parts list used

Loc	Spare parts code	Replaced by	Qty	Description	Observation
6	433294		1	Bottom assy	
20	442016		1	Capacitor 55uF/400V	
18	442007		1	Capacitor 6uF/400V	
15	433288		1	Capillary assembly	
13	190443		1	Casing resistor Mitsubishi	
33	442466		1	Coil reversing valve	
14	433293		1	Compressor Mitsubishi NH NN27VBAMT	
21	437274		1	Compressor wiring Mitsubishi	
7	433285		1	Condenser	
22	402283		1	Cylinder liquid storage 3,5 l	
3	372265	436357	1	Electrical box panel	
17	402495	473279	1	Electronic card Typhoon 5B	
9	434062		1	Fan motor 86W	
12	439342		1	Fan motor support	
4	439329		1	Front panel	
5	437091		1	Grill square (rounded)	
11	371054		1	Handle plastic	
10	433281		1	LH panel	
19	434716		1	Probe lg 1050mm (coil)	
8	4529604		1	Propeller D493*143	
16	433291		1	Reversing valve+tubing	
2	433280		1	RH panel	
1	437045		1	Top panel	

GCN 24 T - R410



Brand :Airwell Model : GCN 24 RCT / R410

Product Number : 7SP061598

Internal number : 4344

Version : Heat pump 400/3/50

Spare parts list used

Loc	Spare parts code	Replaced by	Qty	Description	Observation
6	433294		1	Bottom assy	
18	442007		1	Capacitor 6uF/400V	
15	433288		1	Capillary assembly	
13	190443		1	Casing resistor Mitsubishi	
33	442466		1	Coil reversing valve	
14	433753		1	Compressor Mitsubishi NH NN27YDAMT tri	
21	437278		1	Compressor wiring Mitsubishi	
7	433285		1	Condenser	
22	402283		1	Cylinder liquid storage 3,5 l	
3	436357		1	Electrical box panel	
17	402494		1	Electronic card Typhoon 3C	
9	434211		1	Fan motor 70W	
12	439342		1	Fan motor support	
4	439329		1	Front panel	
5	437091		1	Grill square (rounded)	
11	436358	371054	1	Handle	
10	433281		1	LH panel	
25	439795		1	Phases protection relay	
19	434716		1	Probe lg 1050mm (coil)	
8	4529604		1	Propeller D493*143	
16	433291		1	Reversing valve+tubing	
2	433280		1	RH panel	
1	437045		1	Top panel	

Brand :Airwell Model : GCN 24 T / R410

Product Number : 7SP061597

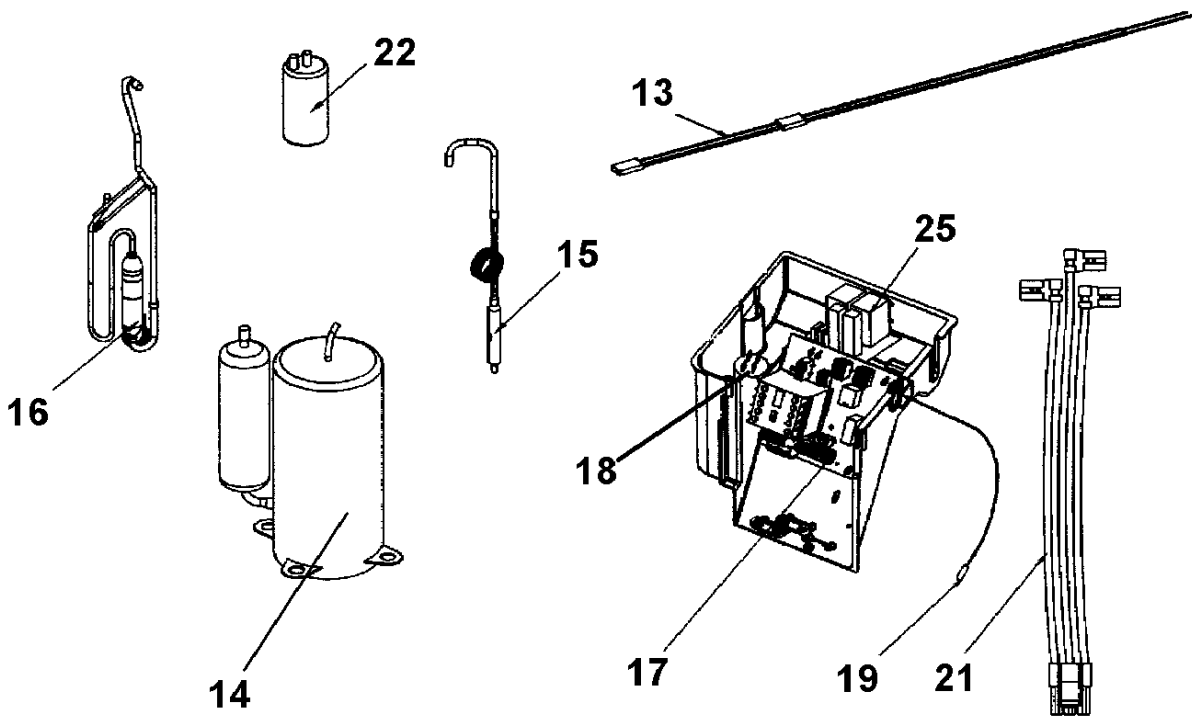
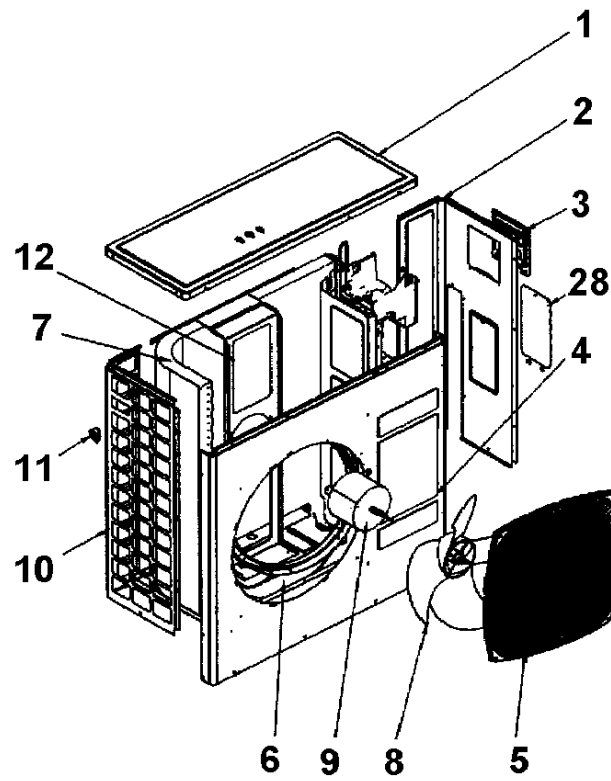
Internal number : 4382

Version : Cooling only 400/3/50

Spare parts list used

Loc	Spare parts code	Replaced by	Qty	Description	Observation
6	433705		1	Bottom assy	
18	442007		1	Capacitor 6uF/400V	
15	433845		1	Capillary assembly	
13	190443		1	Casing resistor Mitsubishi	
14	433753		1	Compressor Mitsubishi NH NN27YDAMT tri	
21	437278		1	Compressor wiring Mitsubishi	
7	433846		1	Condenser	
22	402283		1	Cylinder liquid storage 3,5 l	
3	436357		1	Electrical box panel	
17	402494		1	Electronic card Typhoon 3C	
9	434062		1	Fan motor 86W	
12	439342		1	Fan motor support	
4	439329		1	Front panel	
45	433847		1	Gas valve assy	
5	437091		1	Grill square (rounded)	
11	436358	371054	1	Handle	
10	433281		1	LH panel	
25	439795		1	Phases protection relay	
19	434716		1	Probe lg 1050mm (coil)	
8	4529604		1	Propeller D493*143	
2	433280		1	RH panel	
1	437045		1	Top panel	
16	433817		1	Tubing assembly	

GCN 30



Brand :Airwell Model : GCN 30 N / R410

Product Number : 7SP061601

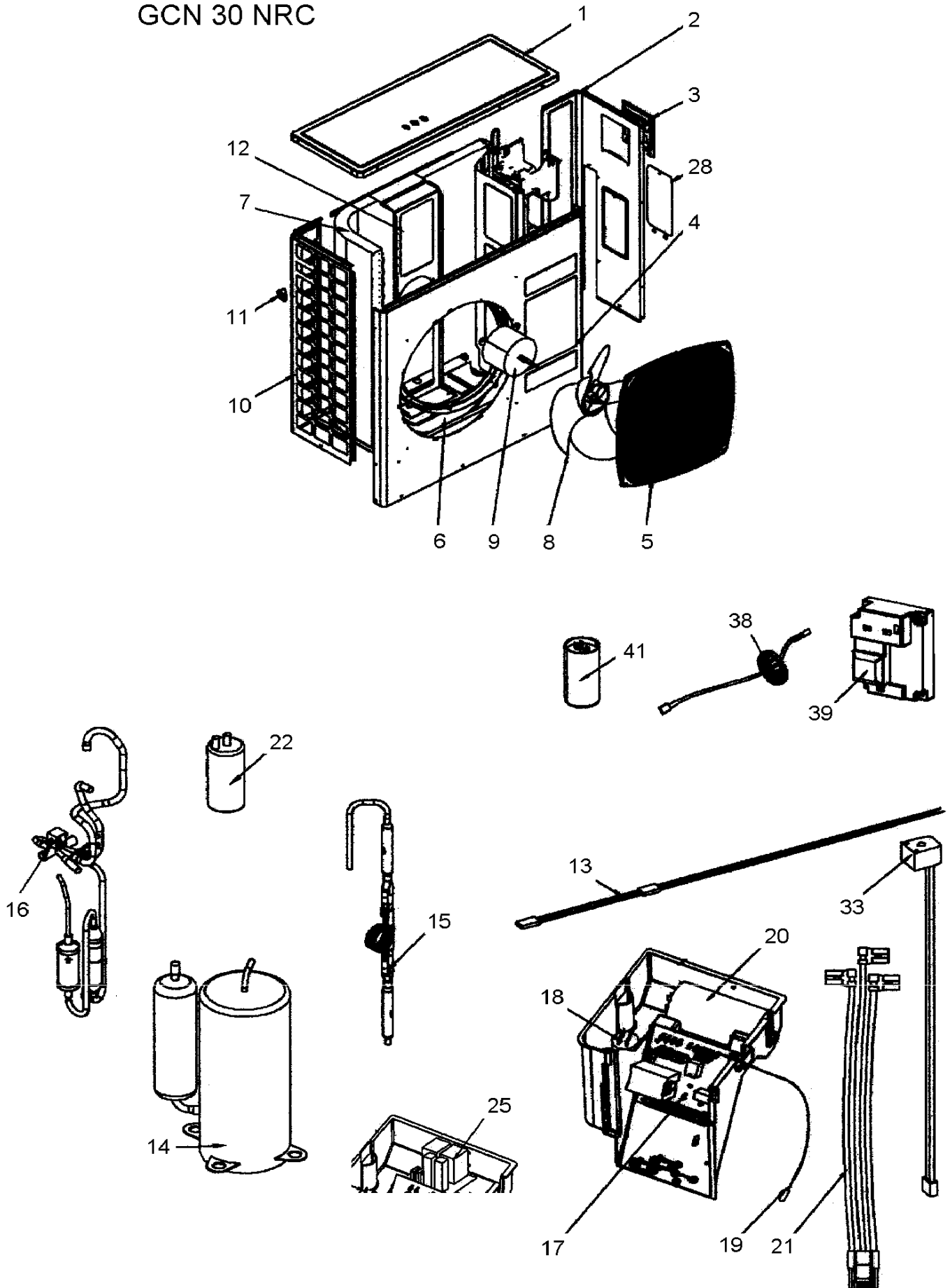
Internal number : 4385

Version : Cooling only 230/1/50

Spare parts list used

Loc	Spare parts code	Replaced by	Qty	Description	Observation
6	433705		1	Bottom assy	
20	442016		1	Capacitor 55uF/400V	
18	442007		1	Capacitor 6uF/400V	
15	433830		1	Capillary assy	
13	190443		1	Casing resistor Mitsubishi	
38	433607		1	Chock for soft starter	
14	433297		1	Compressor Mitsubishi NH NN33VAAMT	
39	433296		1	Compressor started electronic card (Soft Start)	
21	437292		1	Compressor wiring Mitsubishi	
7	433834		1	Condenser	
22	402284		1	Cylinder liquid storage 5"x3/4	
3	436357		1	Electrical box panel	
17	402495	473279	1	Electronic card Typhoon 5B	
9	434062		1	Fan motor 86W	
4	439929		1	Front panel	
5	437091		1	Grill square (rounded)	
11	436358	371054	1	Handle	
28	439656		1	Inspection panel	
12	439775		1	Motor support	
19	434716		1	Probe lg 1050mm (coil)	
8	4529604		1	Propeller D493*143	
10	403996	402929	1	Rear panel	
2	402930		1	RH panel	
41	442022		1	Starter capacitor compr.161-193uF/275V P1	
1	437045		1	Top panel	

GCN 30 NRC



Brand :Airwell Model : GCN 30 NRC / R410

Product Number : 7SP061604

Internal number : 4172

Version : Heat pump 230/1/50

Spare parts list used

Loc	Spare parts code	Replaced by	Qty	Description	Observation
6	433294		1	Bottom assy	
20	442016		1	Capacitor 55uF/400V	
18	442007		1	Capacitor 6uF/400V	
15	433822		1	Capillary assembly	
13	190443		1	Casing resistor Mitsubishi	
38	433607		1	Chock for soft starter	
33	442466		1	Coil reversing valve	
14	433297		1	Compressor Mitsubishi NH NN33VAAMT	
21	437292		1	Compressor wiring Mitsubishi	
7	433807		1	Condenser	
22	402284		1	Cylinder liquid storage 5"x3/4	
3	372265	436357	1	Electrical box panel	
39	234259	438773	1	Electronic card Soft Start	
17	402495	473279	1	Electronic card Typhoon 5B	
9	434062		1	Fan motor 86W	
4	439929		1	Front panel	
5	437091		1	Grill square (rounded)	
11	371054		1	Handle plastic	
28	439656		1	Inspection panel	
12	439775		1	Motor support	
19	434716		1	Probe lg 1050mm (coil)	
8	4529604		1	Propeller D493*143	
10	402929		1	Rear panel	
.	442520		1	Reversing valve coil (DUNAN)	For tubing ass'y 433974
16	433829	433974+442520(bob	1	Reversing valve+tubing	
2	402930		1	RH panel	
41	442022		1	Starter capacitor compr.161-193uF/275V P1	
1	437045		1	Top panel	

Brand :Airwell Model : GCN 30 NRCT / R410

Product Number : 7SP061605

Internal number : 4173

Version : Heat pump 400/3/50

Spare parts list used

Loc	Spare parts code	Replaced by	Qty	Description	Observation
6	433294		1	Bottom assy	
18	442007		1	Capacitor 6uF/400V	
15	433822		1	Capillary assembly	
13	190443		1	Casing resistor Mitsubishi	
33	442466		1	Coil reversing valve	
14	433298		1	Compressor NN33YCAMT	
21	437278		1	Compressor wiring Mitsubishi	
7	433807		1	Condenser	
22	402284		1	Cylinder liquid storage 5"x3/4	
3	372265	436357	1	Electrical box panel	
17	402494		1	Electronic card Typhoon 3C	
9	434062		1	Fan motor 86W	
4	439929		1	Front panel	
5	437091		1	Grill square (rounded)	
11	371054		1	Handle plastic	
28	439656		1	Inspection panel	
12	439775		1	Motor support	
25	439795		1	Phases protection relay	
19	434716		1	Probe lg 1050mm (coil)	
8	4529604		1	Propeller D493*143	
10	402929		1	Rear panel	
16	433829	433974+442520(bob	1	Reversing valve+tubing	
2	402930		1	RH panel	
1	437045		1	Top panel	

Brand :Airwell Model : GCN 30 NT / R410

Product Number : 7SP061602

Internal number : 4334

Version : Cooling only 230/1/50

Spare parts list used

Loc	Spare parts code	Replaced by	Qty	Description	Observation
6	433705		1	Bottom assy	
18	442007		1	Capacitor 6uF/400V	
15	433830		1	Capillary assy	
13	190443		1	Casing resistor Mitsubishi	
14	433298		1	Compressor NN33YCMT	
21	437278		1	Compressor wiring Mitsubishi	
7	433834		1	Condenser	
22	402284		1	Cylinder liquid storage 5"x3/4	
3	436357		1	Electrical box panel	
17	402494		1	Electronic card Typhoon 3C	
9	434062		1	Fan motor 86W	
4	439929		1	Front panel	
5	437091		1	Grill square (rounded)	
11	436358	371054	1	Handle	
28	439656		1	Inspection panel	
12	439775		1	Motor support	
25	439795		1	Phases protection relay	
19	434716		1	Probe lg 1050mm (coil)	
8	4529604		1	Propeller D493*143	
10	403996	402929	1	Rear panel	
2	402930		1	RH panel	
1	437045		1	Top panel	

Brand :Airwell Model : GCN 37 N / R410

Product Number : 7SP061621

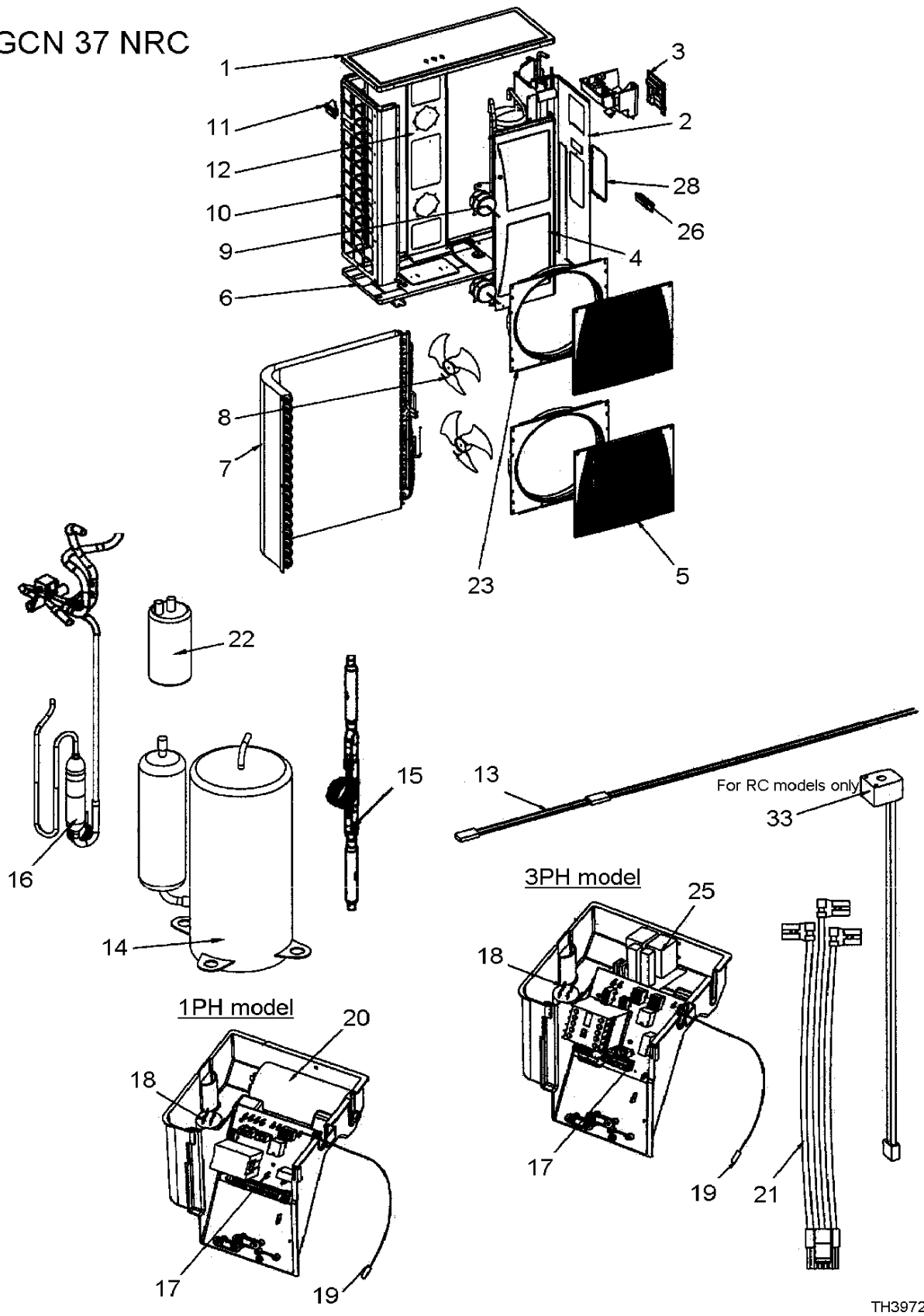
Internal number : 4156

Version : Cooling only 230/1/50

Spare parts list used

Loc	Spare parts code	Replaced by	Qty	Description	Observation
6	433705		1	Bottom assy	
18	442017		2	Capacitor 3uF400V	
20	442010		1	Capacitor 60uF/400V	
15	433872		1	Capillary assembly	
13	190443		1	Casing resistor Mitsubishi	
14	433279		1	Compressor Mitsubishi NH NN40VAAMT	
21	437279		1	Compressor wiring	
7	433868		1	Condenser	
22	402189		1	Cylinder liquid storage 7/8"	
3	372265	436357	1	Electrical box panel	
17	402495	473279	1	Electronic card Typhoon 5B	
5	439662		2	Fan grill	
9	439865		2	Fan motor 70W	
12	439657		1	Fan motor support	
23	439661		2	Fan panel	
4	439653		1	Front panel	
11	371054		1	Handle plastic	
26	436352		1	Handle plastic	
28	439656		1	Inspection panel	
19	434716		1	Probe lg 1050mm (coil)	
8	439650		2	Propeller D400*112	
10	430838		1	Rear panel	
2	439655		1	RH panel	
1	437045		1	Top panel	
16	433873		1	Tubing assembly	

GCN 37 NRC



Brand :Airwell Model : GCN 37 NRC / R410

Product Number : 7SP061630

Internal number : 4178

Version : Heat pump 230/1/50

Spare parts list used

Loc	Spare parts code	Replaced by	Qty	Description	Observation
33	442466		1	Bobine vanne d'inversion	
22	402189		1	Bouteille réserve liquide 7/8"	
17	402495	473279	1	Carte électronique Typhoon 5B	
14	433279		1	Compresseur Mitsubishi NN40VAAMT	
18	442017		2	Condensateur 3uF/400V	
20	442010		1	Condensateur 60uF/400V	
7	433854		1	Condenseur	
15	433857		1	Ens. capillaire	
6	433294		1	Ens. fond	
21	437279		1	Faisceau compresseur	
5	439662		2	Grille de ventilateur	
8	439650		2	Hélice D400*112	
9	439865		2	Moteur ventil 70W	
10	430838		1	Panneau arrière	
4	439653		1	Panneau avant	
1	437045		1	Panneau de dessus	
2	439655		1	Panneau droit	
23	439661		2	Panneau ventil	
12	433709		1	Patte de fixation support moteur	
11	371054		1	Poignée plastique	
26	436352		1	Poignée plastique	
3	372265	436357	1	Porte boîtier électrique	
13	190443		1	Résistance carter Mitsubishi	
19	434716		1	Sonde batterie lg 1050mm	
12	439657		1	Support moteur ventil	
28	439656		1	Trappe de visite	
16	433865		1	Vanne d'inversion+tubing	
.	433860		1	Vanne gaz	
.	439895		1	Vanne liquide	

Brand :Airwell Model : GCN 37 NRCT / R410

Product Number : 7SP061631

Internal number : 4179

Version : Heat pump 400/3/50

Spare parts list used

Loc	Spare parts code	Replaced by	Qty	Description	Observation
33	442466		1	Bobine vanne d'inversion	
22	402189		1	Bouteille réserve liquide 7/8"	
17	402494		1	Carte électronique Typhoon 3C	
14	433855		1	Compresseur Mitsubishi NN40YCMT- 3PH	
18	442017		2	Condensateur 3uF/400V	
7	433854		1	Condenseur	
25	439795		1	Controleur de phases	
15	433857		1	Ens. capillaire	
6	433294		1	Ens. fond	
21	437280		1	Faisceau compresseur	
5	439662		2	Grille de ventilateur	
8	439650		2	Hélice D400*112	
9	439865		2	Moteur ventil 70W	
10	430838		1	Panneau arrière	
4	439653		1	Panneau avant	
1	437045		1	Panneau de dessus	
2	439655		1	Panneau droit	
23	439661		2	Panneau ventil	
12	433709		1	Patte de fixation support moteur	
11	371054		1	Poignée plastique	
26	436352		1	Poignée plastique	
3	372265	436357	1	Porte boîtier électrique	
13	190443		1	Résistance carter Mitsubishi	
19	434716		1	Sonde batterie lg 1050mm	
12	439657		1	Support moteur ventil	
28	439656		1	Trappe de visite	
16	433865		1	Vanne d'inversion+tubing	
.	434544		1	Vanne de service 3/4" (gaz)	
.	434527		1	Vanne de service 3/8" (liquide)	

Brand :Airwell Model : GCN 37 NT / R410

Product Number : 7SP061622

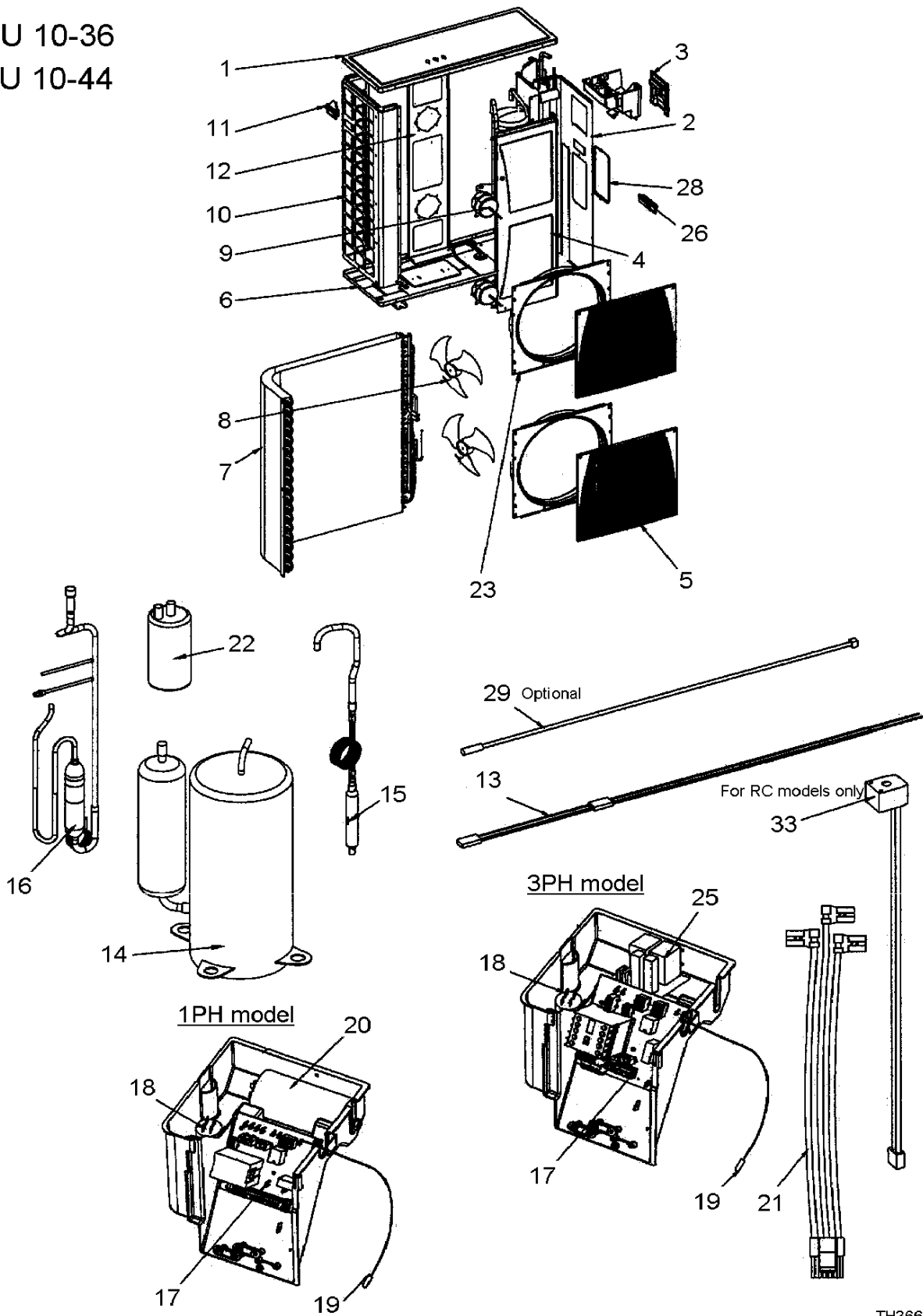
Internal number : 4157

Version : Cooling only 400/3/50

Spare parts list used

Loc	Spare parts code	Replaced by	Qty	Description	Observation
6	433705		1	Bottom assy	
18	442017		2	Capacitor 3uF400V	
15	433872		1	Capillary assembly	
13	190443		1	Casing resistor Mitsubishi	
14	433855		1	Compressor Mitsubishi NH NN40YCAMT- 3PH	
21	437280		1	Compressor wiring	
7	433868		1	Condenser	
22	402189		1	Cylinder liquid storage 7/8"	
3	372265	436357	1	Electrical box panel	
17	402494		1	Electronic card Typhoon 3C	
5	439662		2	Fan grill	
9	439865		2	Fan motor 70W	
12	439657		1	Fan motor support	
23	439661		2	Fan panel	
4	439653		1	Front panel	
11	371054		1	Handle plastic	
26	436352		1	Handle plastic	
28	439656		1	Inspection panel	
25	439795		1	Phases protection relay	
19	434716		1	Probe lg 1050mm (coil)	
8	439650		2	Propeller D400*112	
10	430838		1	Rear panel	
2	439655		1	RH panel	
1	437045		1	Top panel	
16	433873		1	Tubing assembly	

OU 10-36
OU 10-44



Brand :Airwell Model : GCN 43 NT / R410

Product Number : 7SP061624

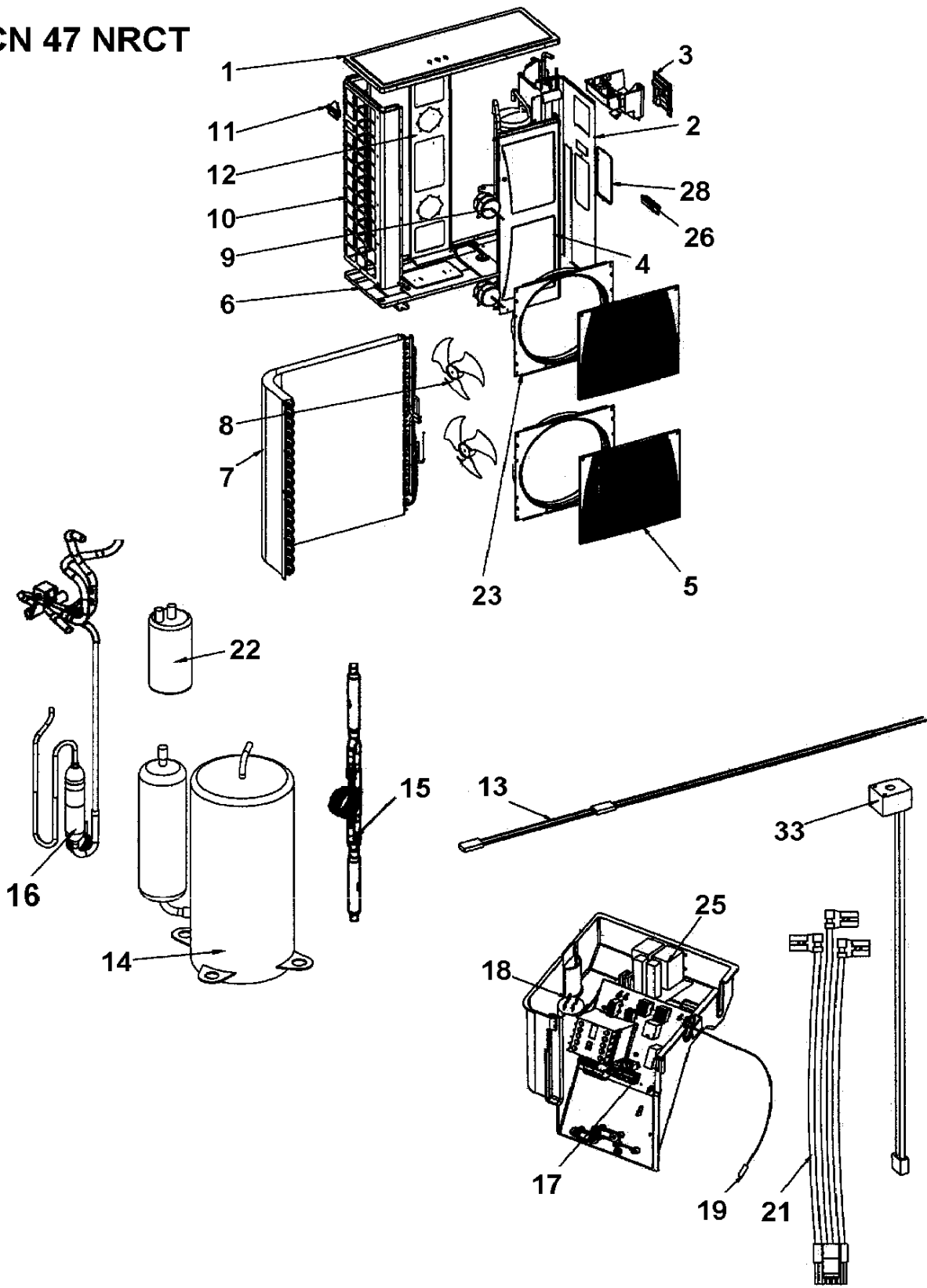
Internal number : 4408

Version : Cooling only 400/3/50

Spare parts list used

Loc	Spare parts code	Replaced by	Qty	Description	Observation
6	439841		1	Bottom	
18	442017		2	Capacitor 3uF400V	
15	456704		1	Capillary assembly	
13	190442		1	Casing resistor	
14	438764		1	Compressor ARA053YAA-3PH	
21	435545		1	Compressor wiring	
7	433875		1	Condenser	
22	402284		1	Cylinder liquid storage 5"x3/4	
3	436357		1	Electrical box panel	
17	438771		1	Electronic card typhoon 3C	
5	439662		2	Fan grill	
9	439651		2	Fan motor 70W	
12	439657		1	Fan motor support	
23	439661		2	Fan panel	
4	439653		1	Front panel	
11	436358	371054	1	Handle	
26	436352		1	Handle plastic	
28	439656		1	Inspection panel	
12	456700		1	Motor support fixation leg	
25	438803		1	Phases protection relay	
19	434716		1	Probe lg 1050mm (coil)	
8	439650		2	Propeller D400*112	
10	430838		1	Rear panel	
2	439655		1	RH panel	
1	437045		1	Top panel	
16	456705		1	Tubing assembly	

GCN 47 NRCT



Brand :Airwell Model : GCN 47 NRCT / R410

Product Number : 7SP061633

Internal number : 4383

Version : Heat pump 400/3/50

Spare parts list used

Loc	Spare parts code	Replaced by	Qty	Description	Observation
33	442466		1	Bobine vanne d'inversion	
22	402284		1	Bouteille réserve liquide 5"x3/4"	
17	402494		1	Carte électronique Typhoon 3C	
14	438764		1	Compresseur ARA053YAA-3PH	
18	442017		2	Condensateur 3uF/400V	
7	433875		1	Condenseur	
25	439795		1	Controleur de phases	
15	456702		1	Ensemble capillaire	
16	456699		1	Ensemble tubing	
21	435545		1	Faisceau compresseur	
6	439833		1	Fond	
5	439662		2	Grille de ventilateur	
8	439650		2	Hélice D400*112	
9	439651		2	Moteur ventil 70W	
10	430838		1	Panneau arrière	
4	439653		1	Panneau avant	
1	437045		1	Panneau de dessus	
2	439655		1	Panneau droit	
23	439661		2	Panneau ventil	
11	436358	371054	1	Poignée	
26	436352		1	Poignée plastique	
3	436357		1	Porte boitier électrique	
13	190442		1	Résistance carter	
19	434716		1	Sonde batterie lg 1050mm	
12	439657		1	Support moteur ventil	
28	439656		1	Trappe de visite	