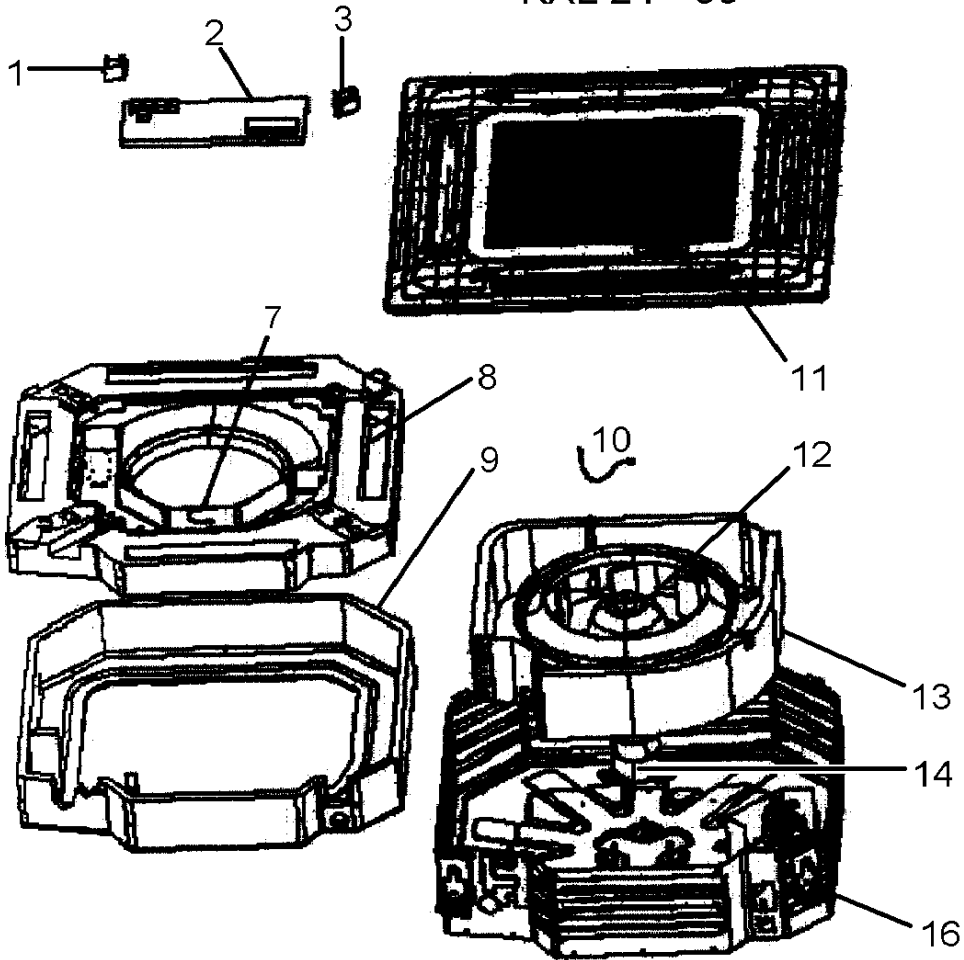
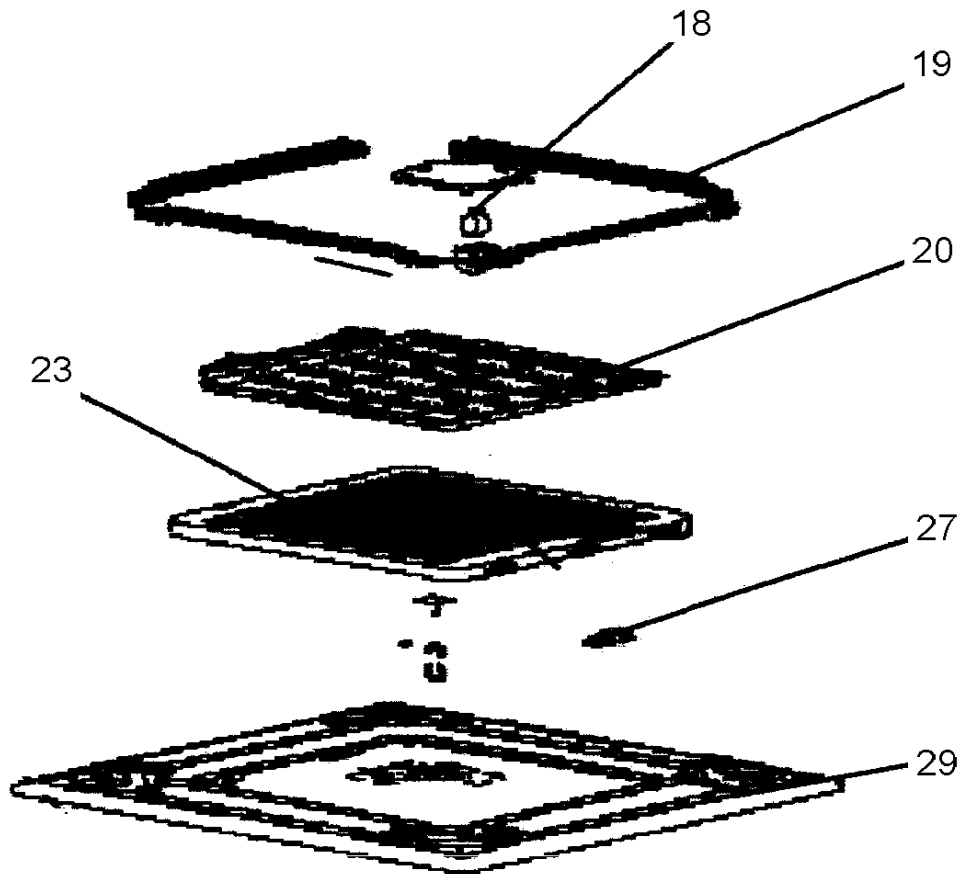


KXL 24 - 30



KXL 24 - 30



TH 3627-2

**Brand :Airwell Model : KXL 24 N / R410**

Product Number : 7SP042096

Internal number : 4170

Version : Cooling only

**Spare parts list used**

Loc	Spare parts code	Replaced by	Qty	Description	Observation
20	2114200024		1	Air filter	
.	2114200002		1	Condensate drain	
.	2274200006		1	Condensate drain pipe	
16	4525530		1	Condensate pump	
8	2224200052		1	Condensate tray assembly	
2	452949400		1	Electronic card MKS DST 5-911-085-02	
13	2154209043		1	Evaporator assembly	
9	2224200050		1	Evaporator base	
14	4525518		1	Fan motor	
1	455000103		1	Fan motor capacitor	
19	8224200007		4	Flap	
.	4522037		1	Float valve	
11	452928400		1	Front assembly	
29	452997004		1	Front panel Airwell	
27	4523483		1	Infrared receiver card	
10	4523277		1	Probe ICT (battery)	
.	452907700		1	Restrictor kit	
7	4523278		1	Room temperature probe	
18	2240010007		1	Step motor	
23	2114200020		1	Suction grill	
3	4523162		1	Transformer	
12	2114200003		1	Turbine	

**Brand :Airwell Model : KXL 24 N CH / R410**

Product Number : 7SP042134

Internal number : 4171

Version : Cooling only

**Spare parts list used**

Loc	Spare parts code	Replaced by	Qty	Description	Observation
20	2114200024		1	Air filter	
.	2114200002		1	Condensate drain	
.	2274200006		1	Condensate drain pipe	
16	4525530		1	Condensate pump	
8	2224200052		1	Condensate tray assembly	
2	452949400		1	Electronic card MKS DST 5-911-085-02	
13	2154209043		1	Evaporator assembly	
9	2224200050		1	Evaporator base	
14	4525518		1	Fan motor	
1	455000103		1	Fan motor capacitor	
19	8224200007		4	Flap	
.	4522037		1	Float valve	
11	452928400		1	Front assembly	
29	452997004		1	Front panel Airwell	
27	4523483		1	Infrared receiver card	
10	4523277		1	Probe ICT (battery)	
7	4523278		1	Room temperature probe	
18	2240010007		1	Step motor	
23	2114200020		1	Suction grill	
3	4523162		1	Transformer	
12	2114200003		1	Turbine	

**Brand :Airwell Model : KXL 30 CH / R410**

Product Number : 7SP042168

Internal number : 4021

Version : Cooling only

**Spare parts list used**

Loc	Spare parts code	Replaced by	Qty	Description	Observation
20	2114200024		1	Air filter	
.	2114200002		1	Condensate drain	
.	2274200006		1	Condensate drain pipe	
16	4525530		1	Condensate pump	
8	2224200052		1	Condensate tray assembly	
2	4523482		1	Electronic card HK 911-085-01 10V5	
13	2154209043		1	Evaporator assembly	
9	2224200050		1	Evaporator base	
14	4525519		1	Fan motor	
1	455000103		1	Fan motor capacitor	
19	8224200007		4	Flap	
.	4522037		1	Float valve	
11	452928400		1	Front assembly	
29	452997004		1	Front panel Airwell	
27	4523483		1	Infrared receiver card	
10	4523277		1	Probe ICT (battery)	
.	453177600		1	Restrictor	
7	4523278		1	Room temperature probe	
18	2240010007		1	Step motor	
23	2114200020		1	Suction grill	
3	4523162		1	Transformer	
12	2114200003		1	Turbine	

**Brand :Airwell Model : KXL 30 RC / R410**

Product Number : 7SP042156

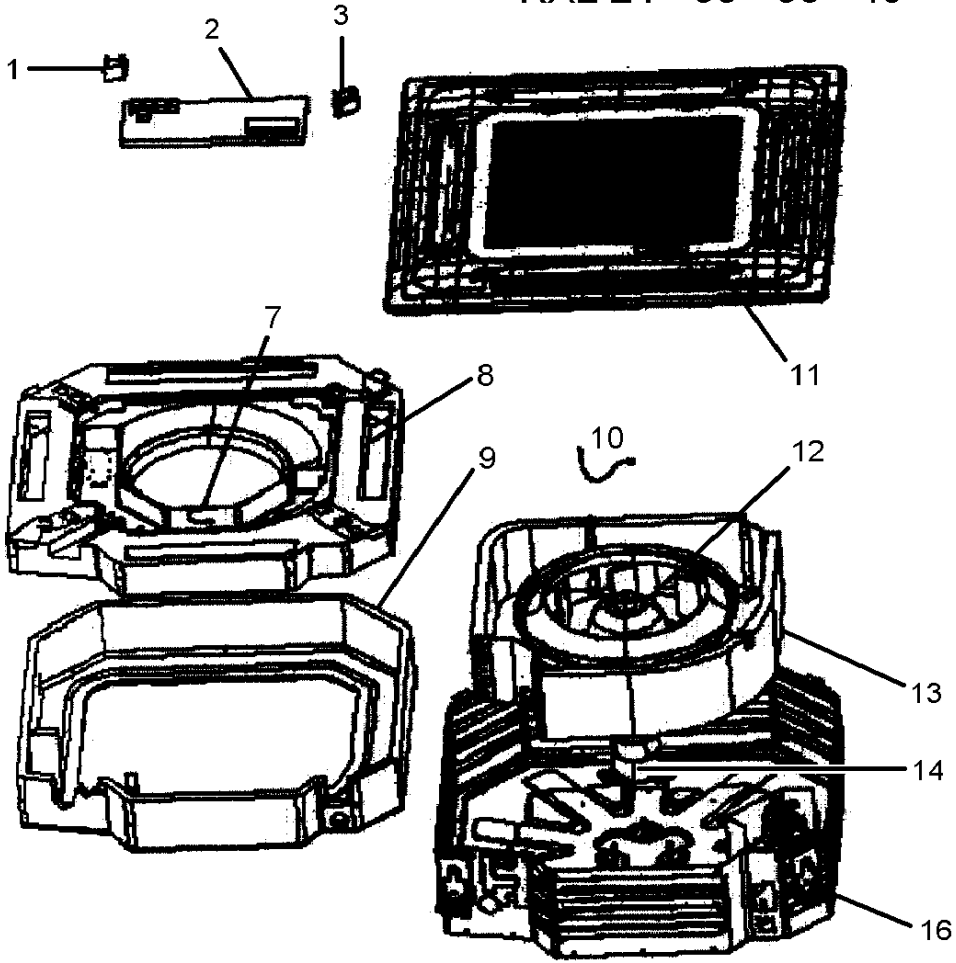
Internal number : 4020

Version : Heat pump

**Spare parts list used**

Loc	Spare parts code	Replaced by	Qty	Description	Observation
20	2114200024		1	Air filter	
.	2114200002		1	Condensate drain	
.	2274200006		1	Condensate drain pipe	
16	4525530		1	Condensate pump	
8	2224200052		1	Condensate tray assembly	
2	452949400		1	Electronic card MKS DST 5-911-085-02	
13	2154209043		1	Evaporator assembly	
9	2224200050		1	Evaporator base	
14	4525518		1	Fan motor	
1	455000103		1	Fan motor capacitor	
19	8224200007		4	Flap	
.	4522037		1	Float valve	
11	453179500		1	Front assembly	
29	452997004		1	Front panel Airwell	
27	4523483		1	Infrared receiver card	
10	4523277		1	Probe ICT (battery)	
.	453177600		1	Restrictor	
7	4523278		1	Room temperature probe	
18	2240010007		1	Step motor	
23	2114200020		1	Suction grill	
3	4523162		1	Transformer	
12	2114200003		1	Turbine	

KXL 24 - 30 - 36 - 45



TH 3627

**Brand :Airwell Model : KXL 36 N / R410**

Product Number : 7SP042172

Internal number : 4399

Version : Cooling/heat pump 400/3/50

**Spare parts list used**

Loc	Spare parts code	Replaced by	Qty	Description	Observation
.	2114200024		1	Air filter	
1	4518042		1	Capacitor 3.5uF	
16	4525530		1	Condensate pump	
8	2224200601		1	Condensate tray assembly	
2	4523482		1	Electronic card HK 911-085-01 10V5	
13	2154200610		1	Evaporator assembly	
9	2224209005		1	Evaporator base	
14	4525520		1	Fan motor	
1	455000103		1	Fan motor capacitor	
.	8224200007		4	Flap	
11	452928400		1	Front assembly	
.	452997004		1	Front panel Airwell	
.	2114200011		1	Infrared receiver bottom	
.	4523483		1	Infrared receiver card	
.	2114200022		1	Infrared receiver cover	
10	4523277		1	Probe ICT (battery)	
7	4523278		1	Room temperature probe	
.	2240010007		1	Step motor	
.	2114200020		1	Suction grill	
3	4523162		1	Transformer	
12	2114200601		1	Turbine	



**Brand :Airwell Model : KXL 45 N / R410**

Product Number : 7SP042173

Internal number : 4398

Version : Cooling/heat pump 400/3/50

**Spare parts list used**

Loc	Spare parts code	Replaced by	Qty	Description	Observation
.	2114200024		1	Air filter	
16	4525530		1	Condensate pump	
8	2224200601		1	Condensate tray assembly	
2	4523482		1	Electronic card HK 911-085-01 10V5	
13	2154200610		1	Evaporator assembly	
9	2224209005		1	Evaporator base	
14	4525521		1	Fan motor	
.	8224200007		4	Flap	
11	452928400		1	Front assembly	
.	452997004		1	Front panel Airwell	
.	2114200011		1	Infrared receiver bottom	
.	4523483		1	Infrared receiver card	
.	2114200022		1	Infrared receiver cover	
1	455000106		1	Motor capacitor	
10	4523277		1	Probe ICT (battery)	
7	4523278		1	Room temperature probe	
.	2240010007		1	Step motor	
.	2114200020		1	Suction grill	
3	4523162		1	Transformer	
12	2114200601		1	Turbine	