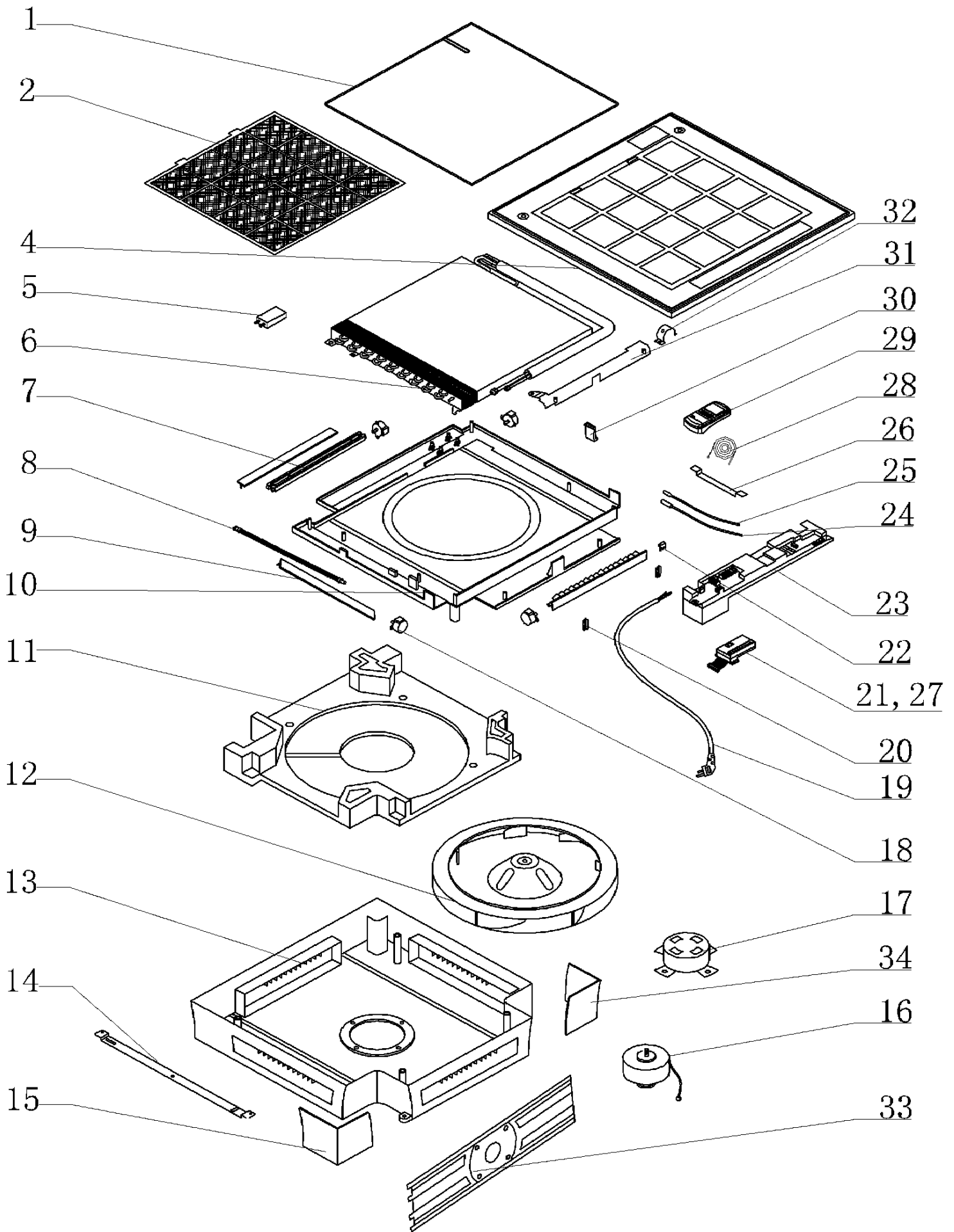


ST XLF 9-12 R410A



Brand :Airwell Model : ST XLF 9 silver / R410

Product Number : 7SP022714

Internal number : 4529

Version : Cooling/Heat pump 230/1/50

Spare parts list used

| Loc | Spare parts code | Replaced by | Qty | Description | Observation |
|-----|------------------|-------------|-----|------------------------------------|-------------|
| 9 | 465160006 | | 4 | Air deflector (silver) | |
| 7 | 465800023 | | 4 | Air deflector plug ass'y | |
| 2 | 433007 | | 1 | Air filter | |
| 33 | 433030 | | 1 | Back holder | |
| 24 | 438082 | 231219 | 1 | Battery probe length 320mm (black) | |
| 20 | 433020 | | 2 | Cable clamp | |
| 13 | 465320009 | | 1 | Chassis | |
| 10 | 4518472 | | 1 | Coil support | |
| 15 | 465340025 | | 1 | Corner cover left | |
| 34 | 465340026 | | 1 | Corner cover right | |
| 28 | 4520416 | | 1 | Defrost cable | |
| 21 | 467300089R | | 1 | Display assembly (IR) | |
| 8 | 437562 | | 1 | Drain tube | |
| 23 | 467300055R | | 1 | Electronic unit | |
| 6 | 470680007 | | 1 | Evaporator | |
| 22 | 4516263 | | 1 | Evaporator probe support | |
| 16 | 433061R | | 1 | Fan motor | |
| 27 | 433027 | | 1 | Flat cable 16 PIN 157-096-00 | |
| 4 | 465020042 | | 1 | Front frame (silver) | |
| 30 | 433008 | | 3 | Latch | |
| 18 | 433050 | | 4 | Motor deflectors 24SW | |
| 17 | 433033 | | 1 | Motor support | |
| 31 | 465320005 | | 1 | Pipe cover | |
| 32 | 433034 | | 1 | Pipes clamp | |
| 19 | 434879R | | 1 | Power cord cable | |
| 12 | 433011 | | 1 | Propeller | |
| 29 | 436670R | | 1 | Remote controller RC4 | |
| 25 | 4519813 | | 1 | Room temperature probe (lg 320mm) | |
| 1 | 465720092 | | 1 | Suction grill | |
| 11 | 433040 | | 1 | Unit base insulation | |
| 14 | 433031 | | 1 | Wall mounting | |
| 26 | 433032 | | 1 | Wires cover | |

Brand :Airwell Model : ST XLF 12 silver / R410

Product Number : 7SP022715

Internal number : 4530

Version : Cooling/Heat pump 230/1/50

Spare parts list used

| Loc | Spare parts code | Replaced by | Qty | Description | Observation |
|-----|------------------|-------------|-----|------------------------------------|-------------|
| 9 | 465160006 | | 4 | Air deflector (silver) | |
| 7 | 465800023 | | 4 | Air deflector plug ass'y | |
| 2 | 433007 | | 1 | Air filter | |
| 33 | 433030 | | 1 | Back holder | |
| 24 | 438082 | 231219 | 1 | Battery probe length 320mm (black) | |
| 20 | 433020 | | 2 | Cable clamp | |
| 13 | 465320009 | | 1 | Chassis | |
| 10 | 4518472 | | 1 | Coil support | |
| 15 | 465340025 | | 1 | Corner cover left | |
| 34 | 465340026 | | 1 | Corner cover right | |
| 28 | 4520416 | | 1 | Defrost cable | |
| 21 | 467300089R | | 1 | Display assembly (IR) | |
| 8 | 437562 | | 1 | Drain tube | |
| 23 | 467300055R | | 1 | Electronic unit | |
| 6 | 470680008 | | 1 | Evaporator | |
| 22 | 4516263 | | 1 | Evaporator probe support | |
| 16 | 433062R | | 1 | Fan motor | |
| 5 | 455000701 | | 1 | Fan motor capacitor | |
| 27 | 433027 | | 1 | Flat cable 16 PIN 157-096-00 | |
| 4 | 465020042 | | 1 | Front frame (silver) | |
| 30 | 433008 | | 3 | Latch | |
| 18 | 433050 | | 4 | Motor deflectors 24SW | |
| 17 | 433033 | | 1 | Motor support | |
| 31 | 465320005 | | 1 | Pipe cover | |
| 32 | 433034 | | 1 | Pipes clamp | |
| 19 | 434879R | | 1 | Power cord cable | |
| 12 | 433011 | | 1 | Propeller | |
| 29 | 436670R | | 1 | Remote controller RC4 | |
| 25 | 4519813 | | 1 | Room temperature probe (lg 320mmm) | |
| 1 | 465720092 | | 1 | Suction grill | |
| 11 | 433040 | | 1 | Unit base insulation | |
| 14 | 433031 | | 1 | Wall mounting | |
| 26 | 433032 | | 1 | Wires cover | |