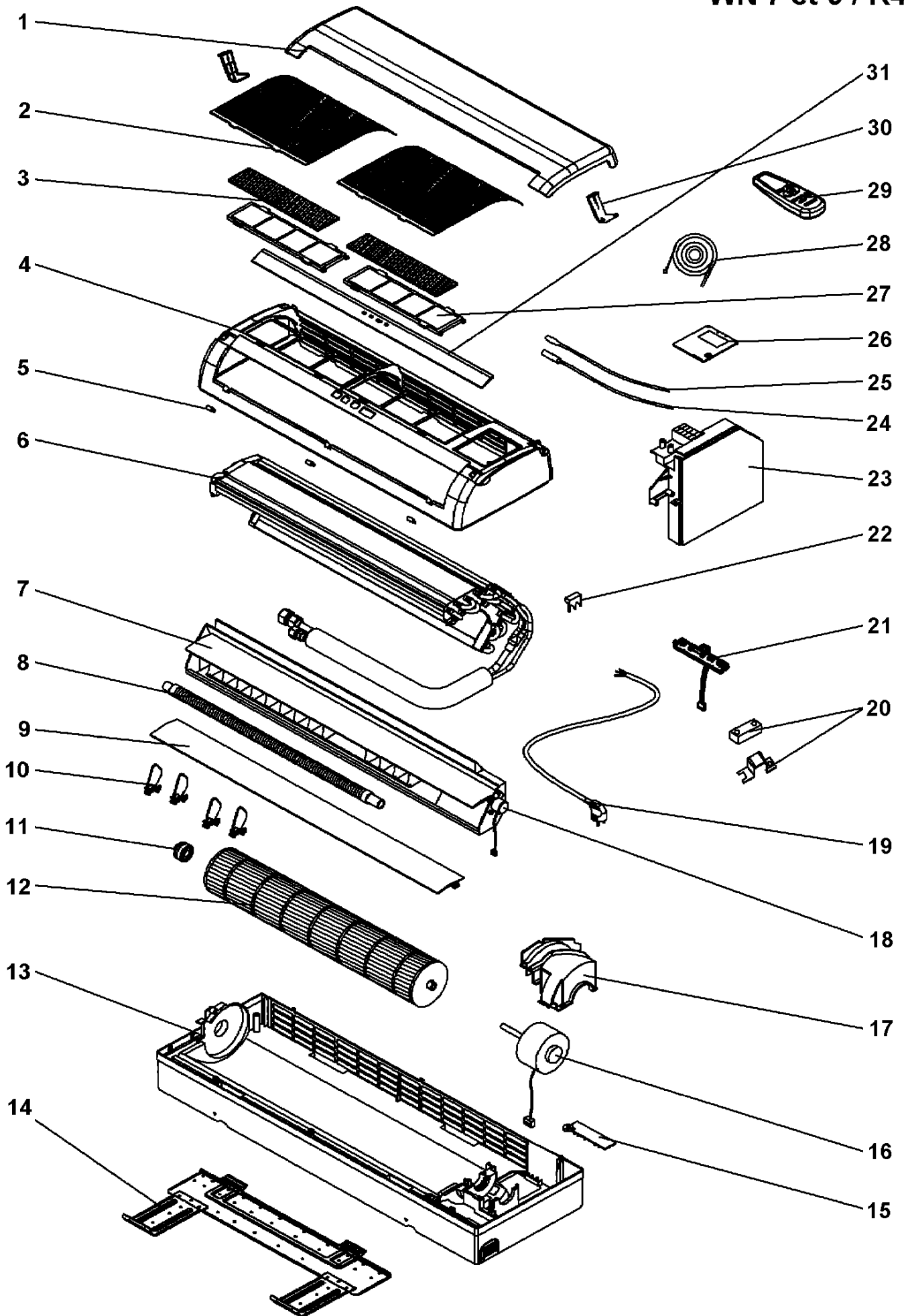


WN 7 et 9 / R410



Brand :Airwell Model : WN 7 / R410

Product Number : 7SP022727

Internal number : 4641

Version : Heat pump 230/1/50

Spare parts list used

Loc	Spare parts code	Replaced by	Qty	Description	Observation
7	452784400		1	Air diffuser assembly	
2	453036500		2	Air filter	
24	438082	231219	1	Battery probe length 320mm (black)	
11	4523526		1	Bearing assembly	
13	4526659		1	Bottom	
20	436525		1	Cable attachment	
20	4525988		1	Cable clamp	
8	4523693		1	Condensate drain pipe	
28	4520416		1	Defrost cable	
21	467300040R		1	Display board (IR)	
31	465340020		1	Display cover	
23	467300051R		1	Electronic unit	
6	453070700		1	Evaporator assy	
22	4516263		1	Evaporator probe support	
16	4523505R		1	Fan motor	
9	4525991		1	Flap	
4	465720065		1	Front frame	
30	453100500		1	Grille clip left	
30	453100600		1	Grille clip right	
17	4525998		1	Motor cover	
15	4526000		1	Pipes clamp	
19	467010001R		1	Power cord plug (3x1.0mm2) LG:2000mm	
29	412040R		1	Remote ctrl RC5-RC 975-630-00	
25	4519813		1	Room temperature probe (lg 320mmm)	
5	4525987		3	Screw cover	
18	4523507		1	Step motor	
1	465100008		1	Suction grill	
26	465340008		1	Terminal block cover	
12	453264200		1	Turbine	
10	4525992		8	Vertical deflector A	
10	4525993		2	Vertical deflector B	
14	453027400		1	Wall support	

Brand :Airwell Model : WN 9 / R410

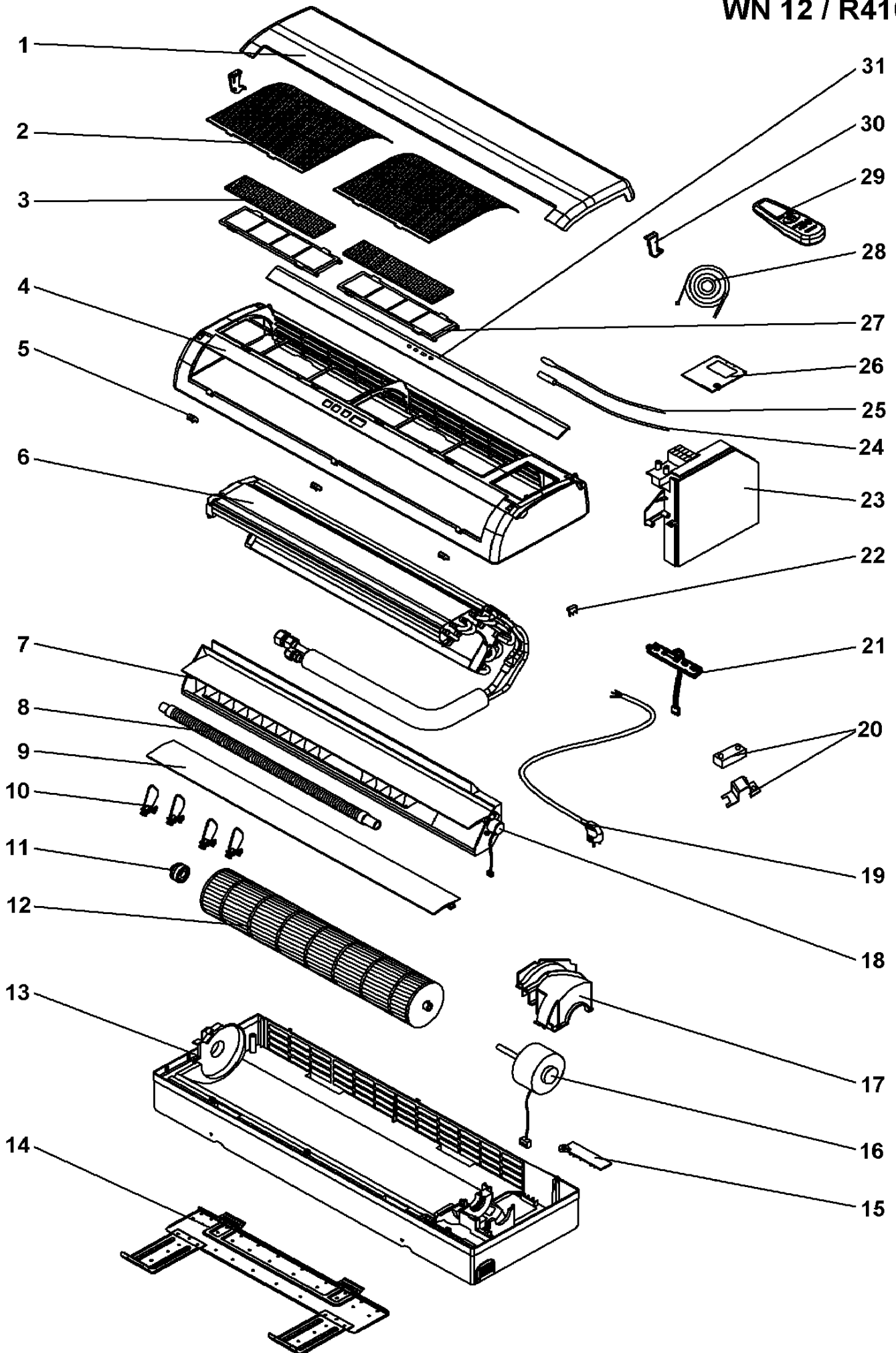
Product Number : 7SP022728

Internal number : 4642

Version : Heat pump 230/1/50

Spare parts list used

Loc	Spare parts code	Replaced by	Qty	Description	Observation
7	452784400		1	Air diffuser assembly	
2	453036500		2	Air filter	
24	438082	231219	1	Battery probe length 320mm (black)	
11	4523526		1	Bearing assembly	
13	4526659		1	Bottom	
20	436525		1	Cable attachment	
20	4525988		1	Cable clamp	
8	4523693		1	Condensate drain pipe	
28	4520416		1	Defrost cable	
21	467300040R		1	Display board (IR)	
31	465340020		1	Display cover	
23	467300051R		1	Electronic unit	
6	453070700		1	Evaporator assy	
22	4516263		1	Evaporator probe support	
16	4527112R		1	Fan motor	
9	4525991		1	Flap	
4	465720065		1	Front frame	
30	453100500		1	Grille clip left	
30	453100600		1	Grille clip right	
17	4525998		1	Motor cover	
15	4526000		1	Pipes clamp	
19	467010001R		1	Power cord plug (3x1.0mm ²) LG:2000mm	
29	412040R		1	Remote ctrl RC5-RC 975-630-00	
25	4519813		1	Room temperature probe (lg 320mm)	
5	4525987		3	Screw cover	
18	4523507		1	Step motor	
1	465100008		1	Suction grill	
26	465340008		1	Terminal block cover	
12	453264200		1	Turbine	
10	4525992		8	Vertical deflector A	
10	4525993		2	Vertical deflector B	
14	453027400		1	Wall support	



Brand :Airwell Model : WN 12 / R410

Product Number : 7SP022729

Internal number : 4643

Version : Heat pump 230/1/50

Spare parts list used

Loc	Spare parts code	Replaced by	Qty	Description	Observation
7	452784401		1	Air diffuser assembly	
2	453082900		2	Air filter	
24	438082	231219	1	Battery probe length 320mm (black)	
11	4523526		1	Bearing assembly	
13	4527186		1	Bottom	
20	436525		1	Cable attachment	
20	4525988		1	Cable clamp	
8	4523693		1	Condensate drain pipe	
28	4520416		1	Defrost cable	
21	467300040R		1	Display board (IR)	
23	467300051R		1	Electronic unit	
6	453070700		1	Evaporator assy	
22	4516263		1	Evaporator probe support	
16	4527112R		1	Fan motor	
9	4527509		1	Flap	
4	465720066		1	Front frame	
30	453100500		1	Grille clip left	
30	453100600		1	Grille clip right	
31	465340021		1	IR receiver cover	
17	4525998		1	Motor cover	
15	4527512		1	Pipes clamp	
19	467010001R		1	Power cord plug (3x1.0mm2) LG:2000mm	
29	412040R		1	Remote ctrl RC5-RC 975-630-00	
25	4519813		1	Room temperature probe (lg 320mmm)	
5	4525987		3	Screw cover	
18	4523507		1	Step motor	
1	465100009		1	Suction grill	
26	465340008		1	Terminal block cover	
12	4527111		1	Turbine plastic	
10	4525992		8	Vertical deflector A	
10	4527510		3	Vertical deflector B	
14	453027500		1	Wall support	