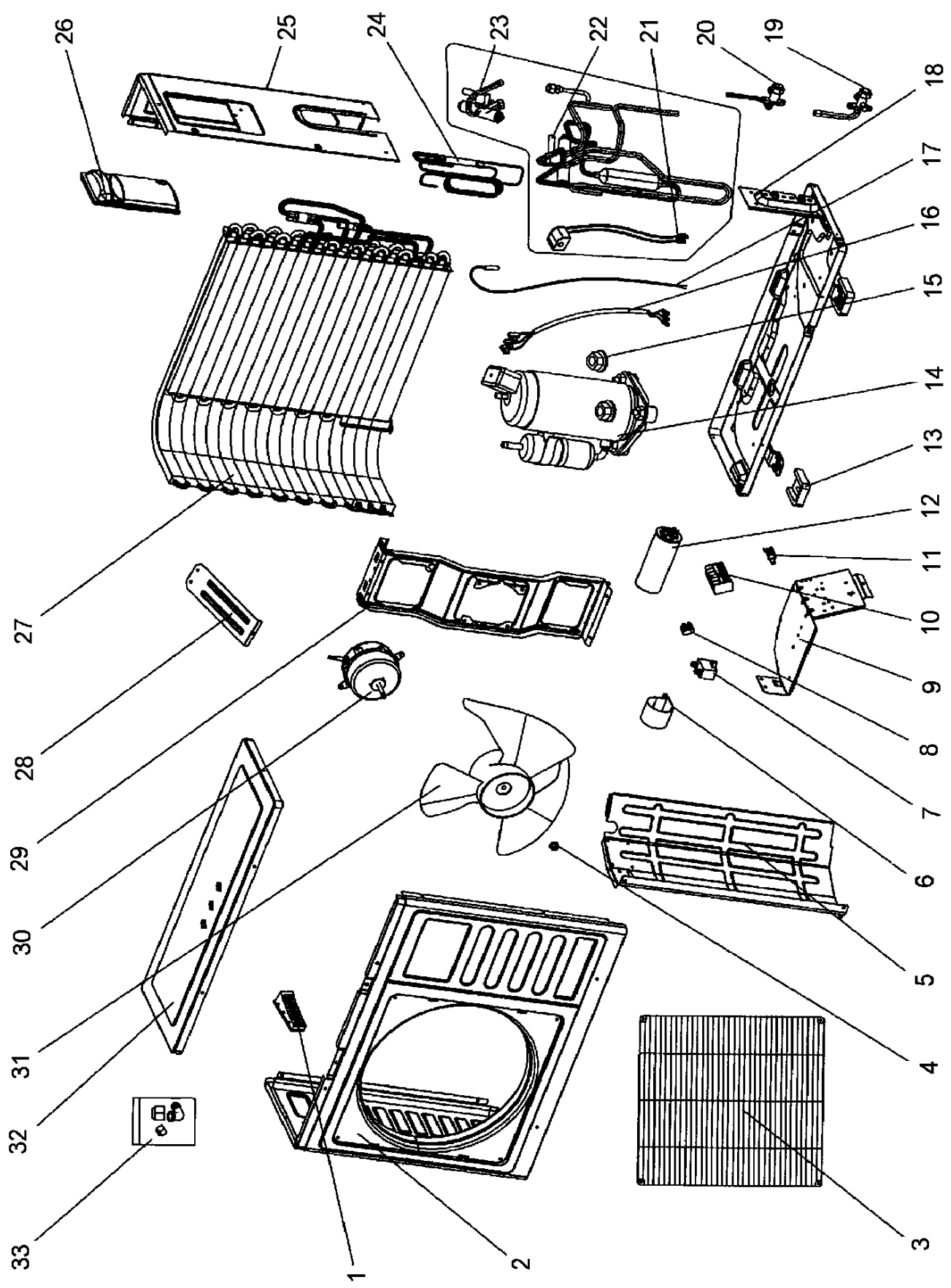


# GC 7 ARC / R410



**Brand :Airwell Model : GC 7 ARC / R410**

Product Number : 7SP061585

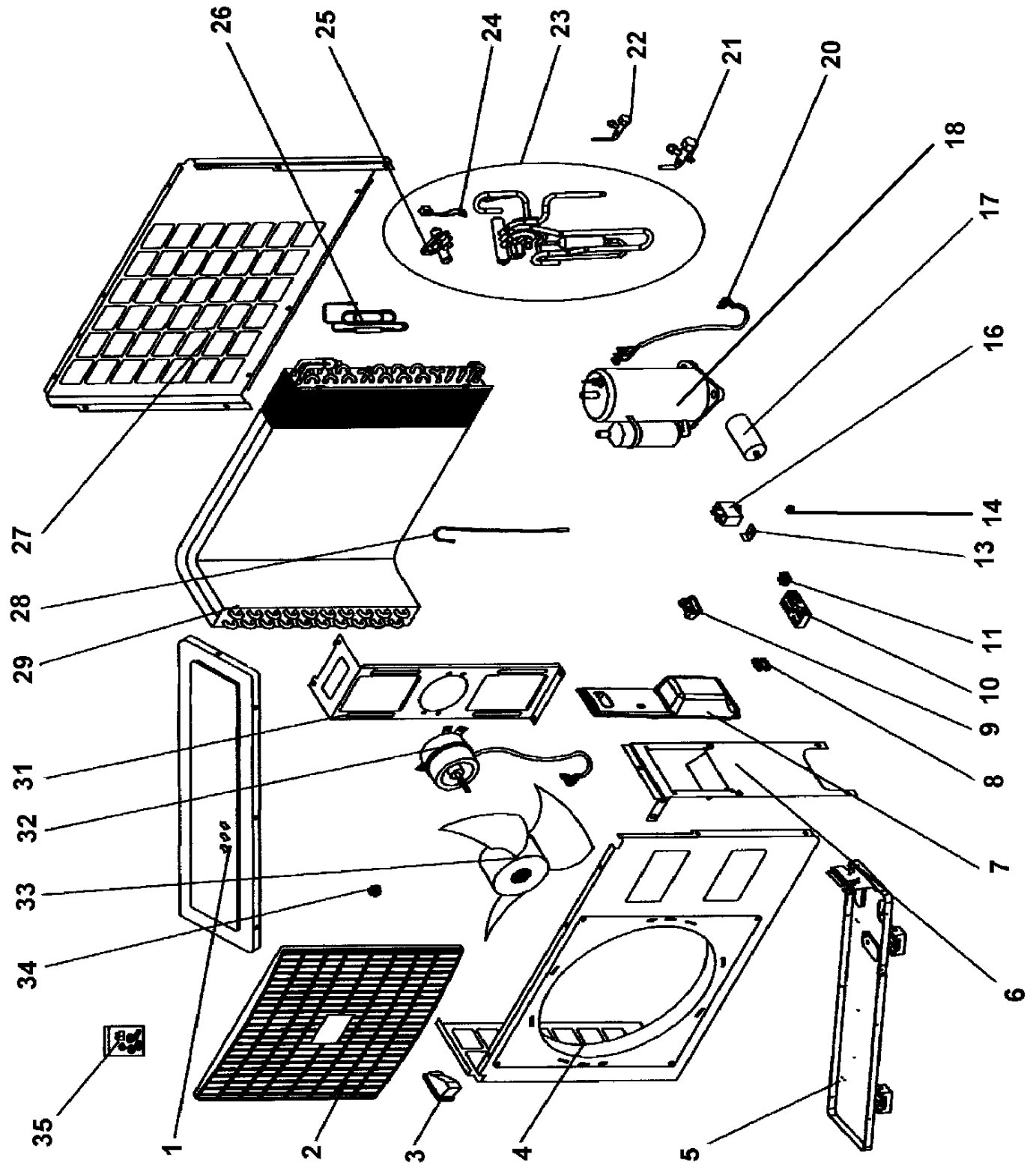
Internal number : 4527

Version : Heat pump 230/1/50

**Spare parts list used**

Loc	Spare parts code	Replaced by	Qty	Description	Observation
17	4516637		1	Battery probe (black)	
18	453045400		1	Bottom	
12	455000400		1	Capacitor 25uF/450V	
24	453045600		1	Capillary assembly	
14	452964500		1	Compressor PA82X1C-4DX2	
16	4524278		1	Compressor wiring	
27	453057500		1	Condenser	
26	4526668		1	Door	
30	4523609R		1	Fan motor YDK20-6L	
21	4520071		1	Four way valve coil	
2	4526671		1	Front panel	
19	453046100		1	Gas valve	
3	4526481		1	Grill	
1	436358	371054	1	Handle	
33	453121500		1	Installation accessories	
20	453046200		1	Liquid valve	
7	455000108		1	Motor fan capacitor	
29	453045000		1	Motor support	
28	4526143		1	Motor support attachment	
31	4523707		1	Propeller	
4	4527483		1	Propeller attachment nut	
22	453232700		1	Reversing valve ass'y	
23	4518951		1	Reversing valve SHF-4H	
13	453056700		4	Shock absorber skid	
25	4526669		1	Side panel	
8	236179		1	Terminal (2 bits)	
10	4514588		1	Terminal (5 bits)	
32	4526675		1	Top panel	

GC 9-12 ARC



**Brand :Airwell Model : GC 9 ARC / R410**

Product Number : 7SP061586

Internal number : 4389

Version : Heat pump 230/1/50

**Spare parts list used**

Loc	Spare parts code	Replaced by	Qty	Description	Observation
14	201130		1	Attachment Nut M4	
28	4516637		1	Battery probe (black)	
5	4516907		1	Bottom assembly	
8	204107		1	Cable clamp	
13	4518022		1	Capacitor clip	
26	453091600		1	Capillary assembly	
17	455000502		1	Compressor capacitor	
18	453090300		1	Compressor PA108X1C-4FZ	
20	391498		1	Compressor wiring	
29	453090700		1	Condenser	
7	4516857		1	Electrical box panel	
6	453086200		1	Electrical panel	
32	4522765	4522765R	1	Fan motor	
31	323156		1	Fan motor support	
23	453091500		1	Four way valve + tubing assy	
24	4520071		1	Four way valve coil	
4	4523441		1	Front panel	
22	453046900		1	Gas valve HP	
2	4522551		1	Grill	
3	436358	371054	1	Handle	
35	453121500		1	Installation accessories	
16	455000108		1	Motor fan capacitor	
33	4519251		1	Propeller	
34	4519300		1	Propeller attachment Nut	
27	4516156		1	Rear panel	
25	4518951		1	Reversing valve SHF-4H	
9	453070800		4	Shock mount skid	
11	236179		1	Terminal (2 bits)	
10	236332		1	Terminal (6 bits)	
1	4516158		1	Top panel	
21	453047000		1	Valve LP	

**Brand :Airwell Model : GC 12 ARC / R410**

Product Number : 7SP061587

Internal number : 4390

Version : Heat pump 230/1/50

**Spare parts list used**

Loc	Spare parts code	Replaced by	Qty	Description	Observation
14	201130		1	Attachment Nut M4	
28	4516637		1	Battery probe (black)	
5	4523862		1	Bottom	
8	204107		1	Cable clamp	
17	455000504		1	Capacitor 35uF	
13	4518022		1	Capacitor clip	
26	453092800		1	Capillary assembly/filter/check valve	
18	4526452		1	Compressor GMCC PA145X2C-4FT	
20	391498		1	Compressor wiring	
29	453092100		1	Condenser	
7	4516857		1	Electrical box panel	
6	453086200		1	Electrical panel	
32	4522766		1	Fan motor	
31	323156		1	Fan motor support	
24	4520071		1	Four way valve coil	
23	453092700		1	Four way valve+tubing assy	
4	4523441		1	Front panel	
22	453046900		1	Gas valve HP	
2	4522551		1	Grill	
3	436358	371054	1	Handle	
35	453121500		1	Installation accessories	
16	455000108		1	Motor fan capacitor	
33	4519251		1	Propeller	
34	4519300		1	Propeller attachment Nut	
27	4516156		1	Rear panel	
25	4518952		1	Reversing valve	
9	453070800		4	Shock mount skid	
11	236179		1	Terminal (2 bits)	
10	236332		1	Terminal (6 bits)	
1	4516158		1	Top panel	
21	453047000		1	Valve LP	