

INSTALLATION INSTRUCTIONS

ENGLISH

INSTRUCTIONS D'INSTALLATION

FRANÇAIS

INSTALLATIONSANLEITUNG

DEUTSCH

INSTRUCCIONES DE INSTALACION

ESPAÑOL

ISTRUZIONI PER L'INSTALLAZIONE

ITALIANO

РУКОВОДСТВО ПО УСТАНОВКЕ

РУССКИЙ

Airwell

INSTALLATION INSTRUCTIONS

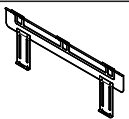


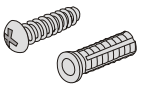
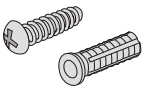

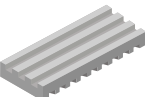
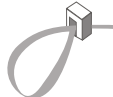


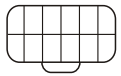
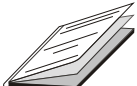
ENGLISH

1. ACCESSORIES SUPPLIED WITH AIR CONDITIONER
2. LOCATION OF INDOOR AND OUTDOOR UNITS
3. ELECTRICAL REQUIREMENTS
4. INSTALLATION OF THE INDOOR UNIT
5. CONDENSATE HOSE CONNECTION
6. ELECTRICAL CONNECTIONS BETWEEN INDOOR AND OUTDOOR UNITS
7. REFRIGERANT TUBING
8. INSTALL THE AIR-FRESH HOSE
9. FINAL TASKS

The appliance shall not be installed in the laundry.

INSTALLATION INSTRUCTIONS FOR SPLIT WALL MOUNTED AIR CONDITIONER

1 ACCESSORIES SUPPLIED WITH THE AIR CONDITIONER

Shape	Name	Qty	Used for
	Mounting Plate	1	Wall mounting of the indoor unit
	Remote control With batteries	1	Operation of Unit
	Remote control bracket	1	Wall mounting of the remote control
	Screws washers dowels	4	Wall mounting of indoor unit
	Screws, Dowels	1	Wall mounting of remote control bracket
	Outdoor unit drain connector	1	Outdoor unit water drain
	Mounting pads	4	Padding of outdoor unit bottom support
	Cable ties	4	Securing wires in the indoor and outdoor unit
	Cable terminals	1	Securing of grounding wire on the indoor and outdoor unit
	Twin wire cable (for heat pump units)	1	Transmitting signals
	Air purifying filter (optional)	2	Cleaning the air
	Operation and installation instructions	2	Users and installers reference

2 LOCATION OF INDOOR AND OUTDOOR UNITS

Select the location considering the following:

INDOOR UNIT

1. Choose a location which will provide good air circulation. ensure that no objects or furnishings prevent air circulation.
2. Do not install the unit near a heat source or where it will be exposed to direct sunlight.
3. The location must allow convenient electrical draingage and tubing connections.
4. Installation site should provide an easy passage to outdoors.
5. The unit must be mounted on a strong wall that will withstand the generated vibrations.
6. Install the mounting plate as shown.

OUTDOOR UNIT

1. The location must allow easy servicing and provide good air circulation.
2. The unit may be suspended from a wall by a bracket (Optional) or located in a free standing position on the floor (preferably slightly elevated).
3. if the unit is suspended, ensure that the bracket is firmly connected and the wall is strong enough to withstand vibrations.
4. Unit location should not disturb neighbors with noise or exhaust air stream.
5. Place the mounting pads under the unit legs.
6. Install the outdoor unit as shown. Refer to the technical and service manual for allowed distances.
7. When the unit is installed on a wall, install the drain connector hose and drain plug as shown.

Fig.1
1. Bottom of outdoor unit
2. Drain connector

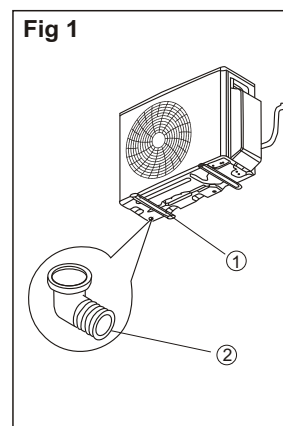


Fig.2
Drain installation Example

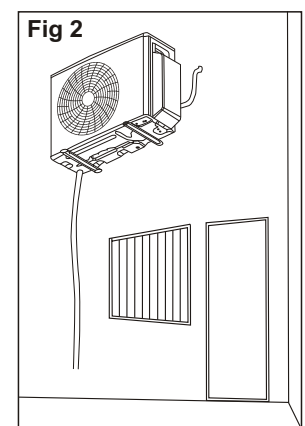


Fig.3
Length of electric cable to mains

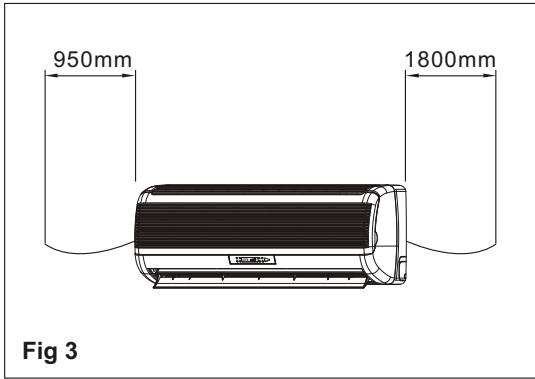


Fig.4
Direction of tubing

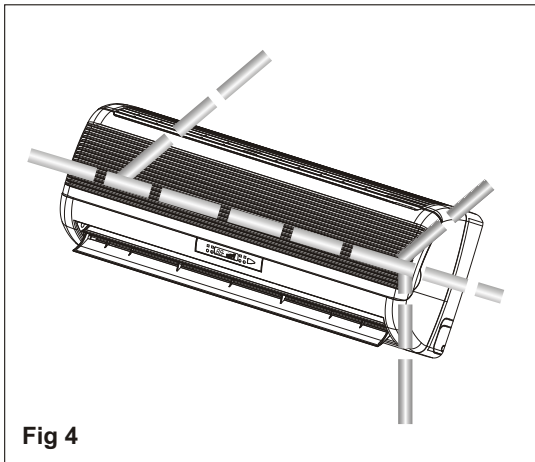


Fig.5
1. To attach
2. To remove

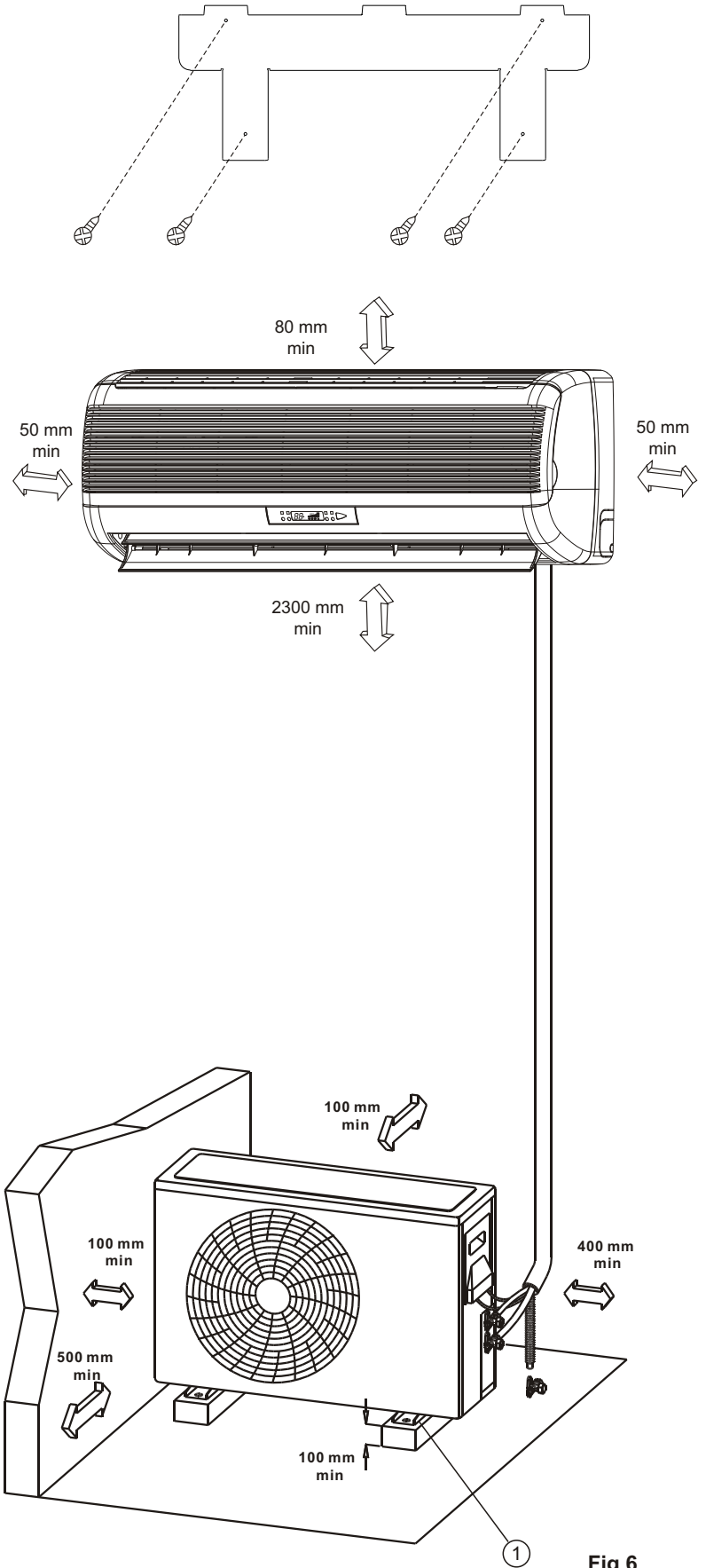
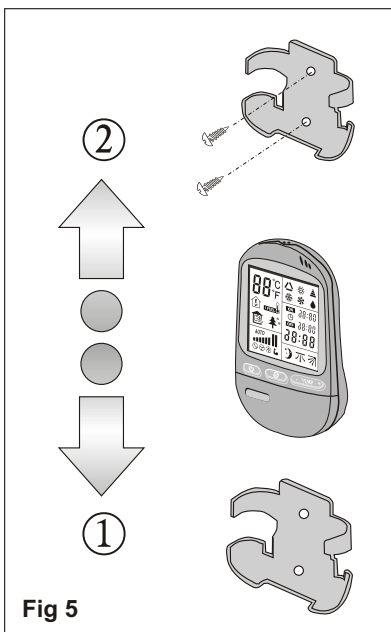


Fig.6
1. Mounting pads(x4)

3

ELECTRICAL REQUIREMENTS

Electrical wiring and connections should be made by qualified electricians and in accordance with local electrical codes and regulations. The air conditioner units must be grounded. The air conditioner unit must be connected to an adequate power outlet from a separate branch circuit protected by a time delay circuit breaker, as specified on unit's nameplate. Voltage should not vary beyond $\pm 10\%$ of the rated voltage.

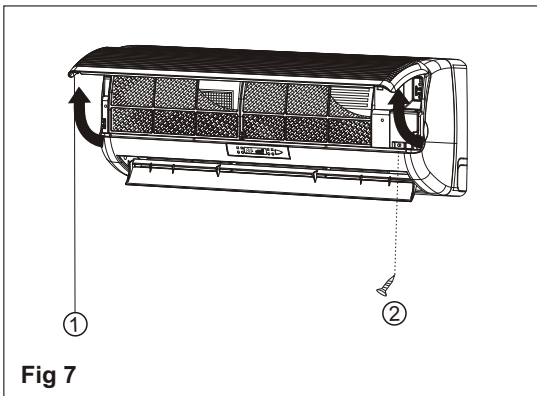
4

INSTALLATION OF THE INDOOR UNIT

REMOVAL AND INSTALLATION OF THE CONNECTING WIRES

1. Open the grille..
2. Open the terminal cover.
3. After installation of the indoor unit, reinstall the terminal cover.

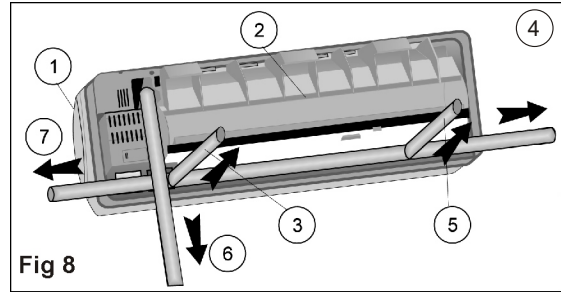
Fig.7
1. Lift grille
2.Screw



REFRIGERATION TUBE ROUTING

1. There are five possible routes for installing the refrigeration tube as shown.
2. For route (6), cut the bottom notch in the rear.
3. For routes (4) or (7), cut the side notches in the rear and in the front panel.

- Fig.8
- | | |
|----------------|------------------------|
| 1. Front | 4. Lefthand outlet |
| 2. Rear | 5. Lefthand rar outlet |
| 3. Rear outlet | 6. Bottom outlet |
| | 7. Righthand outlet |



INSTALLATION OF THE MOUNTING PLATE

1. Figure 9 shows the location of the mounting plate relative to the unit size. Refer to one of the drawings, according to your unit length (marked in square).
2. Locate the mounting plate as shown on the wall in a horizontal position, using a spirit level.
3. Mark the position of the four mounting holes on the wall and drill four holes to accommodate the dowels.
4. Mount the mounting plate on to the wall by the four screws. Ensure screws are tightened properly.

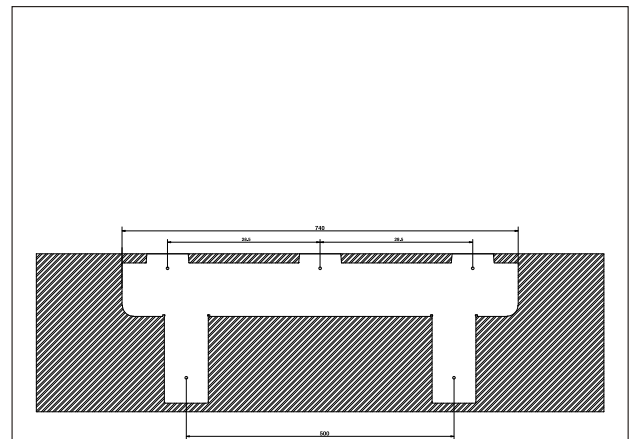


Fig 9

PENETRATION OF WALL FOR TUBING

1. Mark the location of the hole on either side of the mounting plate as shown. and drill it at a 5 downward angle, as shown.
2. The hole is drilled at an angle, to prevent condensed or rain water from penetrating back into the room.
3. Trim the hole in the wall with a ϕ 70 mm commercial plastic tube.

Fig. 10

- A. OUTDOOR SIDE 1. Drill 70 mm
B. INDOOR SIDE 2. Wall

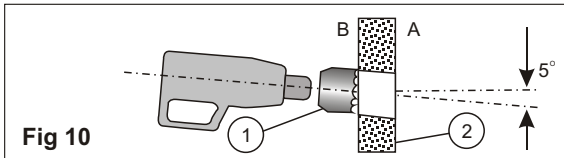


Fig 10

SUSPENDING AND RELEASING THE UNIT FROM THE MOUNTING PLATE

1. Make sure that the refrigerant tubes, electric cables and condensate water hose are well insulated with closed cell rubber based insulating tubes (6 mm thickness), are wrapped together with UV stabilized non-adhesive plastic tape, and are passed through the hole in the wall.
2. Hang the indoor unit on the two hooks that are located near the top edge of the mounting plate.
3. Press the lower part of the indoor unit against the mounting plate until the catches snap into the slots and lock the indoor unit to the mounting plate.
4. Check the installation by pulling the unit towards you.
5. To release the unit from the mounting plate, lift up the unit and then pull the unit towards you, to ensure that the hooks are locked.

Fig.11

1. Indoor unit 3. Top hooks
2. Snap catches 4. Bottom hooks

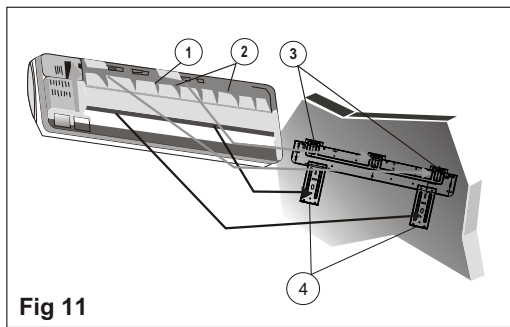


Fig 11

Fig.12

1. Mounting plate 3. Lift up
2. Lower hook 4. Pull

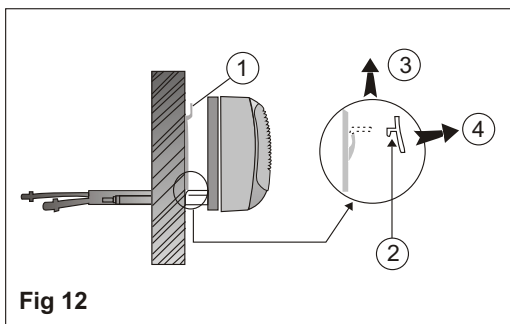


Fig 12

5

CONDENSATE HOSE CONNECTION

1. Attach the condensate drain hose to the corrugated hose in the rear groove of the indoor unit.
2. Wrap the drain hose together with the refrigerant tubes and electrical cables.

Fig.13

1. Drain hose
2. Clamp
3. Downward slope

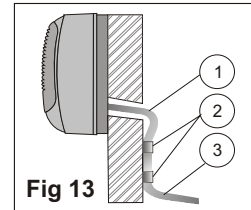


Fig 13

3. Ensure that the condensate drain hose is at all points installed in a downward slope manner.

Fig.14

1. Trap
2. U-bend
3. End immersed in water

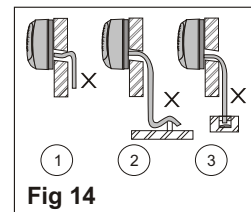


Fig 14

4. When installing the drain hose avoid traps and U-bends. The end of the drain hose should not be immersed in water.

Fig.15

1. Electric cable
2. Refrigerant tubing
3. Condensate drain hose
4. Air fresh hose

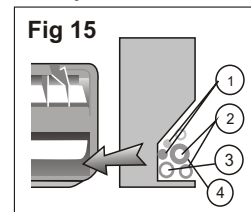


Fig 15

5. For a lefthand outlet, lay the drain hose on the bottom of the indoor unit rear groove.

Fig.16

1. Vent
2. Downward drain
3. Water drain hose

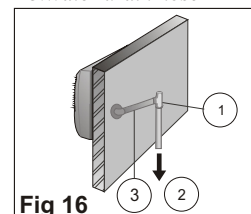


Fig 16

6. When the installation location requires long horizontal sections, a vent must be provided at the top of the hose to prevent overflow of the unit drain pan.

7. Upon completing the installation, test the water drain by pouring at least two liters of water into the unit drainpan. Check that the water drains off.

6

ELECTRICAL CONNECTIONS BETWEEN INDOOR AND OUTDOOR UNITS

- To connect the indoor unit to the outdoor unit use the following electrical cables, protected for outdoor use:

Cooling and heating model:

- Multiple wire cable (220-240V, 50Hz).
- 5 wires x 1.5 mm² (WNG18)
- 5 wires x 2.5 mm² (WNG24)
- 2 wires x 0.5 mm² - for low voltage (supplied with the unit) (WNG18).
- 2 wires x 1.5 mm² - for low voltage (supplied with the unit) (WNG24).
- 6 wires x 1.5 mm² - for 3PH unit

Cooling only models:

- Multiple wire cable (220-240V, 50Hz)
- 4 wires x 1.5 mm² (WNG24)

- Prepare the multiple wire(7)cable ends for connection as shown in fig.18.
- Connect the cable ends to the terminals of the indoor and outdoor units, as shown in fig.20a, fig.20b, fig.20c.
- Shape a loop and connect the yellow/green ground wire (2) to ground terminal screw of the indoor unit, as shown in fig.20a, fig.20b, fig.20c, fig. 20d, fig. 20e, fig. 20f.

NOTE: For multi split and cooling only units skip steps 5, 6, 7 and 9.

- Prepare the twin wire cable end for connection as shown in fig.19.
- Disconnect the resistor (5) from the indoor unit twin wire cable (3) and connect the win wire cable (6) connector instead.
- connect the other end of the twin wire cable (6) to the outdoor unit twin wire terminal (9).
- Secure the multiple wire power cable with the cable clamps.
- Fasten the twin wire cable to the power cable with cable ties.

Fig.17

- Terminal
- Cover
- Cable tie

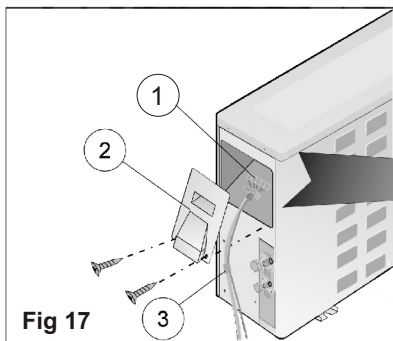


Fig 17

NOTES:

- The wire color code can be selected by the installer.
- Wires leading to outdoor unit twin wire terminal (9). must be in a separate twin wire cable, otherwise the electronic controls will be subjected to operational malfunctions.
- For cooling only model, terminal number 5 should not be connected.

MULTIPLE WIRE POWER CABLE

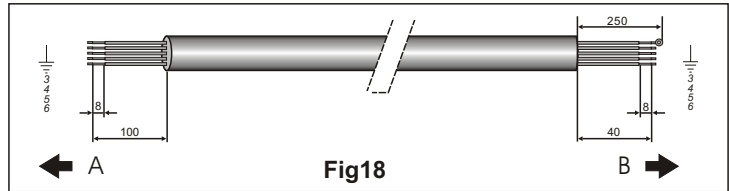


Fig18

Fig.18 A.OUTDOOR B.INDOOR

TWIN-WIRE LOW VOLTAGE CABLE

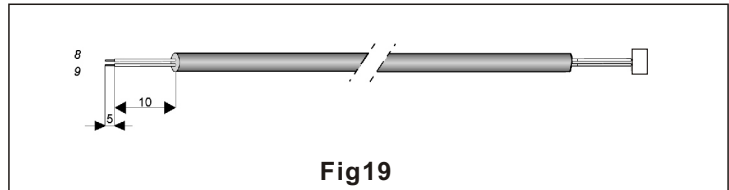


Fig19

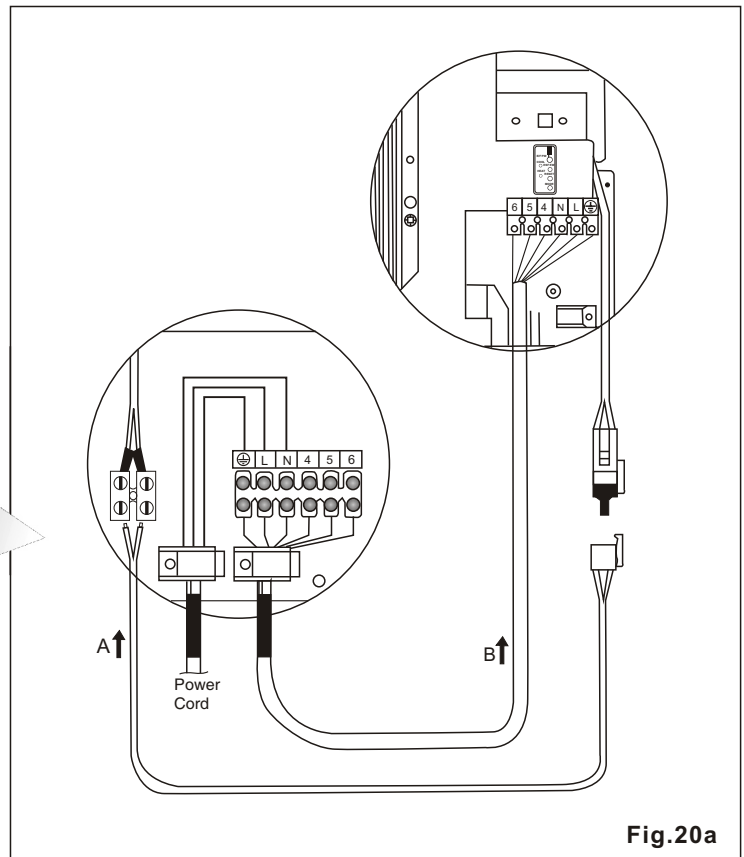


Fig.20a

Fig.20a (WNG 18 1PH)

- Indoor unit terminal
 - Ground wire
 - Indoor twin wire cable
 - Indoor coil
 - Resistor
 - Twin wire cable
 - Multiple wire cable
 - Cable clamp
 - Outdoor twin wire terminal
- A.OUTDOOR B.INDOOR

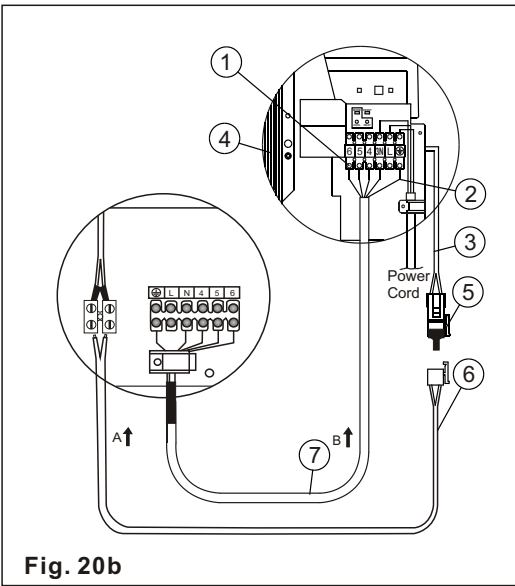


Fig. 20b

Fig.20b (WNG 18 1PH)

- 1.Indoor unit terminal
- 2.Ground wire
- 3.Indoor twin wire cable
- 4.Indoor coil
- 5.Resistor
- 6.Twin wire cable
- 7.Multiple wire cable
- 8.Cable clamp
- 9.Outdoor twin wire terminal

A.OUTDOOR B.INDOOR

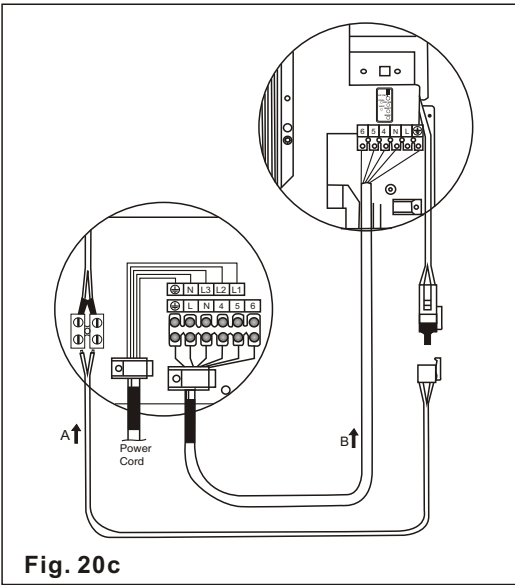


Fig. 20c

Fig.20c (WNG 18 3PH)

- 1.Indoor unit terminal
- 2.Ground wire
- 3.Indoor twin wire cable
- 4.Indoor coil
- 5.Resistor
- 6.Twin wire cable
- 7.Multiple wire cable
- 8.Cable clamp
- 9.Outdoor twin wire terminal

A.OUTDOOR B.INDOOR

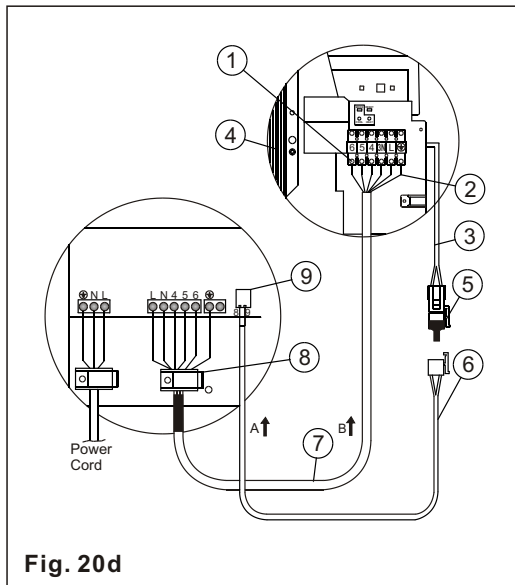


Fig. 20d

Fig.20d (WNG 24 1PH)

- 1.Indoor unit terminal
- 2.Ground wire
- 3.Indoor twin wire cable
- 4.Indoor coil
- 5.Resistor
- 6.Twin wire cable
- 7.Multiple wire cable
- 8.Cable clamp
- 9.Outdoor twin wire terminal

A.OUTDOOR B.INDOOR

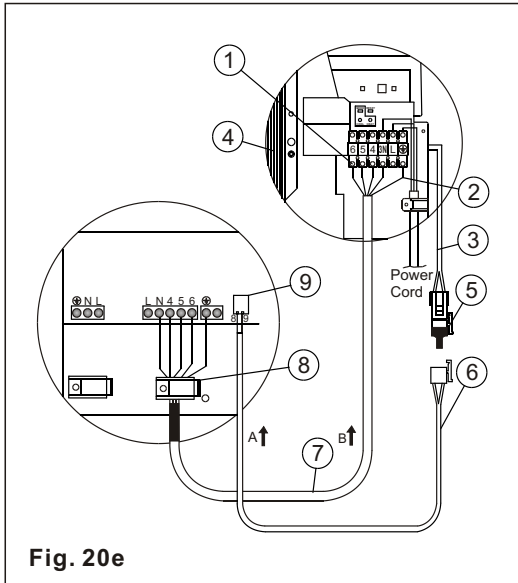


Fig.20e (WNG 24 1PH)

- 1.Indoor unit terminal
- 2.Ground wire
- 3.Indoor twin wire cable
- 4.Indoor coil
- 5.Resistor
- 6.Twin wire cable
- 7.Multiple wire cable
- 8.Cable clamp
- 9.Outdoor twin wire terminal

A.OUTDOOR B.INDOOR

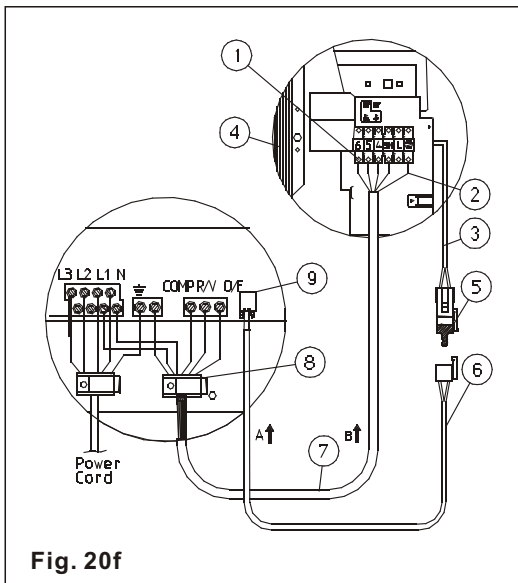


Fig.20f (WNG 24 3PH)

- 1.Indoor unit terminal
- 2.Ground wire
- 3.Indoor twin wire cable
- 4.Indoor coil
- 5.Resistor
- 6.Twin wire cable
- 7.Multiple wire cable
- 8.Cable clamp
- 9.Outdoor twin wire terminal

A.OUTDOOR B.INDOOR

REFRIGERANT TUBING

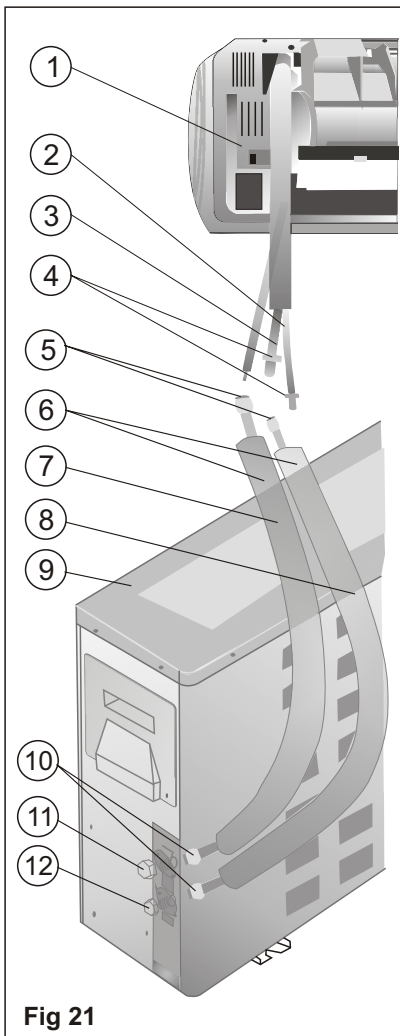
CONNECT THE INDOOR TO THE OUTDOOR UNIT

The indoor unit contains a small quantity of refrigerant. Do not unscrew the nuts from the unit until you are ready to connect the tubing. The outdoor unit is supplied with sufficient refrigerant charge. Refer to outdoor unit nameplate.

To prevent crushing, bend tubes using a bending tool.

NOTE: Use refrigeration type copper tubing only.

1. Use tubing diameter that corresponds to the tubing diameter of the indoor and outdoor units. Note that the liquid and suction tubes have different diameters. (See tube size, torque tightening table.)
2. Place flare nuts on tube ends before preparing them with a flaring tool. Use the flare nuts that are mounted on the supplied outdoor and indoor units.
3. Connect the four ends of the tubing to the indoor and outdoor units.
4. Insulate each tube separately, and their unions, with at least 6mm. of insulation. Wrap the refrigerant tubing, drain hose and electric cables together with a vinyl tape (UV protected).



Caution!
When unscrewing the valve caps, do not stand in front of them or the spindles at any time, as the system is under pressure.

Fig.21
1.INDOOR UNIT
2.Liquid tube (small dia.)
3.Suction tube (large dia.)
4.Plugs
5.Flare nuts
6.Tubing between units
7.Suction tube
8.Liquid tube
9.OUTDOOR UNIT
10.Flare nuts
11.Suction valve (larger)
12.Liquid valve (small)

Tightening torques of unions and valve caps:

TUBE SIZE	TORQUE
Liquid line 1/4"	15-20 N.M.
Suction line 3/8"	30-35 N.M.
Suction line 1/2"	50-54 N.M.
Suction line 5/8"	75-78 N.M.

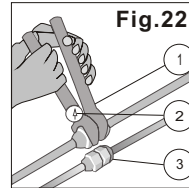


Fig.22
1.Wrench
2.Torque wrench
3.Union

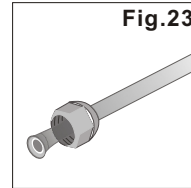


Fig.23
To prevent refrigerant leakage, coat the flared surface with refrigeration oil

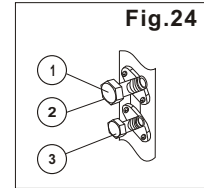


Fig.24
1.Suction valve
2.Service port
3.Liquid valve

EVACUATION OF THE REFRIGERATION TUBES AND THE INDOOR UNIT

After connecting the unions of the indoor and outdoor units, purge the air from the tubes and indoor unit as follows:

1. Connect the charging hoses with a push pin to the low and high sides of the charging set and the service port of the suction and liquid valves. Be sure to connect the end of the charging hose with the push pin to the service port.
2. Connect the center hose of the charging set to a vacuum pump.
3. Turn on the power switch of the vacuum pump and make sure that the needle in the gauge moves from 0MPa(0cm Hg) to -0.1MPa (-76cm Hg). Let the pump run for fifteen minutes.
4. Close the valves of both the low and high sides of the charging set and turn off the vacuum pump. Note that the needle in the gauge should not move after approximately five minutes.
5. Disconnect the charging hose from the vacuum pump and from the service ports of the suction and liquid valves.
6. Tighten the service port caps of both suction and liquid valves.
7. Remove the valve caps from both valves, and open them using a hexagonal Allen wrench.
8. Remount valve caps onto both of the valves.
9. Check for gas leaks from the four unions and from the valve caps. Text with electronic leak detector or with a sponge immersed in soapy water for bubbles.

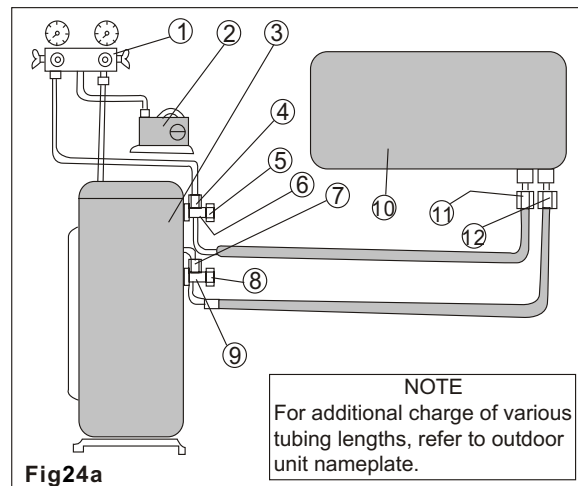


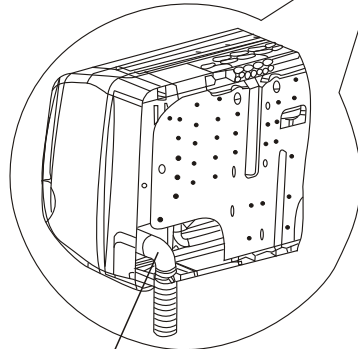
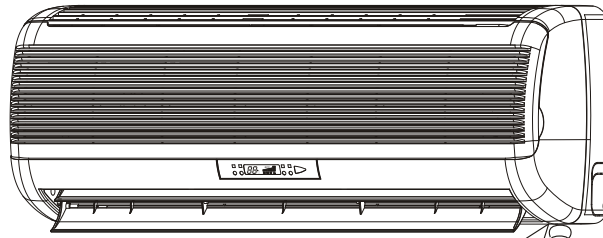
Fig24a

NOTE
For additional charge of various tubing lengths, refer to outdoor unit nameplate.

Fig.24a
1.Charging set
2.Vacuum pump
3.OUTDOOR UNIT
4.Service valve
5.Cap
6.Suction valve
7. Service valve*
8.Cap
9.Liquid valve
10.INDOOR UNIT
11.Suction flare connection
12.Liquid flare connection
*In some models only

8

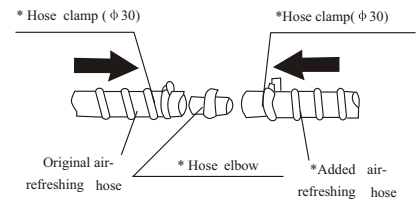
INSTALL THE AIR-FRESH HOSE (optional)



air pipe joint

Fig ①

A 5m of air-refreshing hose is supplied with this equipment. You can lengthen the hose with another hose supplied by the professional installer in the installation if it is needed. Use the hose elbow and clamps to joint the smaller end ($\phi 30$) of the added hose with the original one, and then fix the other end with the interface of the propeller housing by the outdoor hose clamp ($\phi 30$). (Shown in the diagram below)



(The parts with * in the diagram will be supplied in the installation if you need to lengthen the air-refreshing hose)

air fresh hose

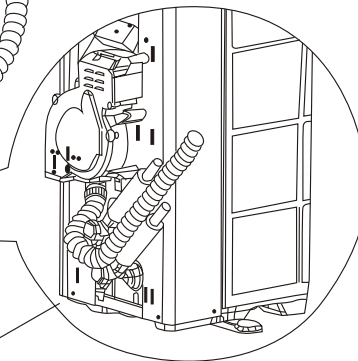
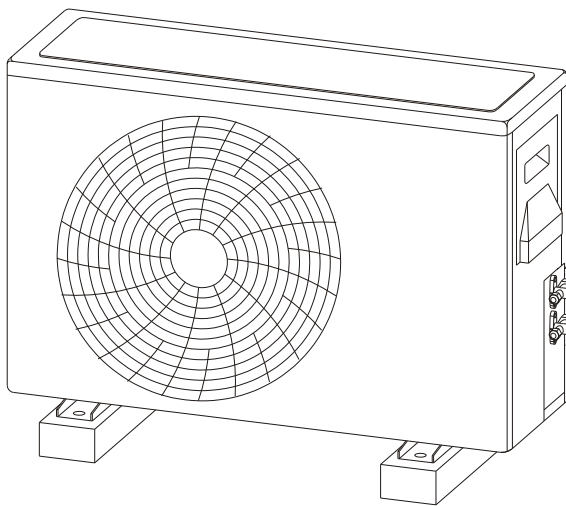


Fig ②

1. Joint the air pipe joint on the indoor unit
2. Joint the air fresh hose on the air pipe joint and fix with indoor hose clamp ($\phi 30$)(fig ①)
3. Joint the air fresh hose with the interface of the propeller housing and fix with outdoor hose clamp ($\phi 30$)(fig ②)

9

FINAL TASKS

1. Replace all valve caps and ensure that they are tightened properly.
2. Fill gaps on the wall between hole sides and tubing with sealer.
3. Attach wiring and tubing to the wall with clamps where necessary.
4. Operate the air conditioner together with the customer and explain all functions.
5. Explain filter removal, cleaning and installation.
6. Give the operating and installation manuals to the customer.

