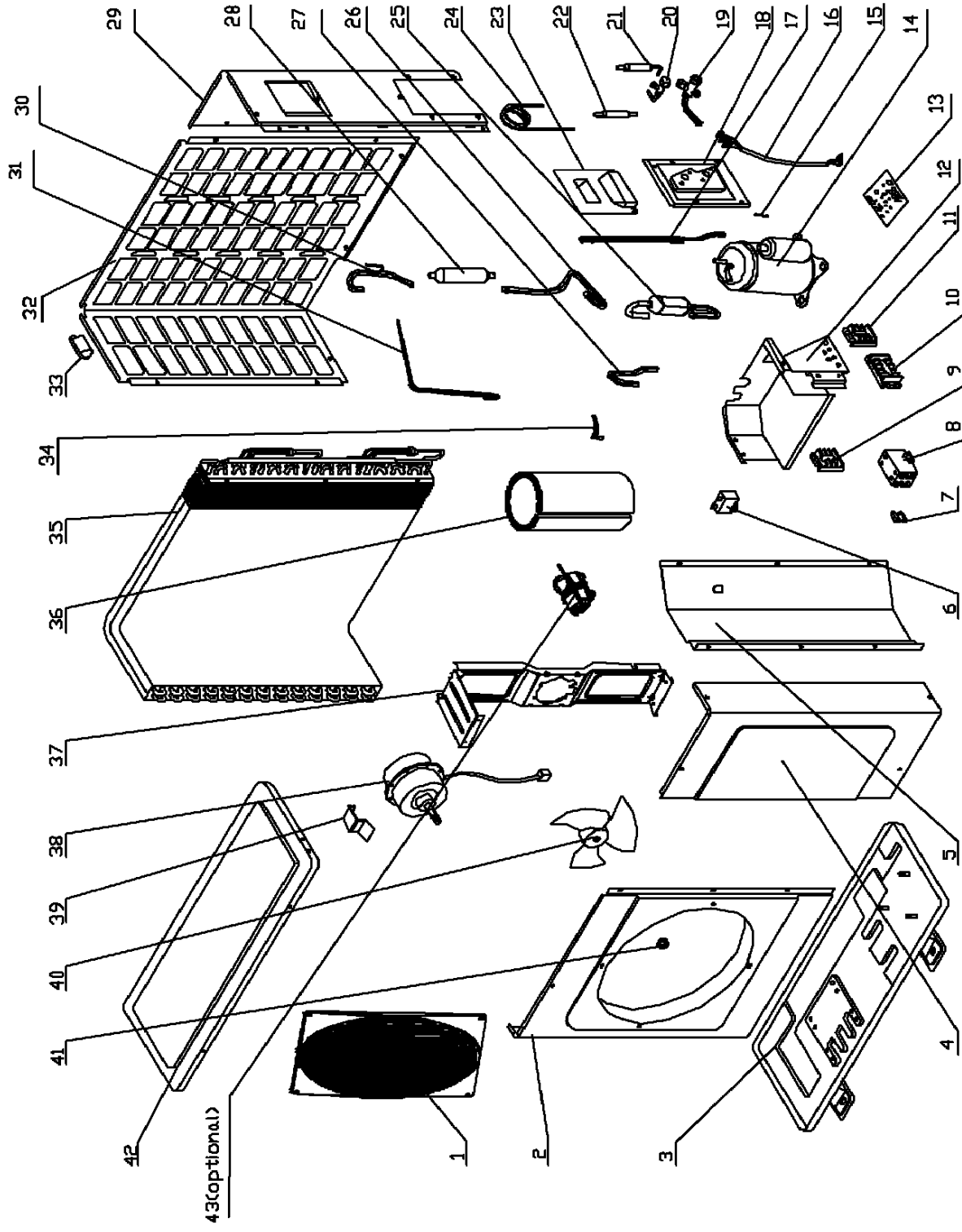


# GC 18 N / R410



**Brand :Airwell Model : GC 18 N / R410**

Product Number : 7SP061444

Internal number : 3775

Version : Cooling only 230/1/50

**Spare parts list used**

Loc	Spare parts code	Replaced by	Qty	Description	Observation
3	4526956		1	Bottom	
8	204107		2	Cable clamp	
13	4525427		1	Capacitor clip	
22	452821900		1	Capillary assembly	
6	455000507		1	Compressor capacitor	
14	4526623		1	Compressor GJ-208P/R410	
33	4526899		1	Compressor jacket	
15	4517345		1	Compressor wiring	
32	452821300		1	Condenser	
23	4523338		1	Cylinder	
21	4523145		1	Electrical box panel	
35	4526864	4526864R	1	Fan motor YYK85E-6	
2	452795700		1	Front panel	
4	94516786		1	Front RH panel	
17	4526530		1	Gas valve	
1	4517144		1	Grill square	
30	4516758		1	Handle	
36	4526585		1	Leg motor support	
18	4526531		1	Liquid valve	
7	455000104		1	Motor capacitor	
34	4526509		1	Motor support	
26	4526719		1	Muffle	
38	4523141		1	Nut M10	
37	4526510		1	Propeller d=460mm	
29	4517028		1	Rear panel	
20	4526839		1	Refrigerant filter assy	
19	4526931		1	Refrigerant filter assy	
27	4525938		1	Side panel	
9	4521744		1	Terminal (3 bits/4mm2)	
10	4522469		1	Terminal (4 bits)	
11	4521733		1	Terminal (6 bits/6mm2)	
39	4516788		1	Top panel	
16	4516766		1	Valve plate assy	

**Brand :Airwell Model : GCN 24 N / R410**

Product Number : 7SP061594

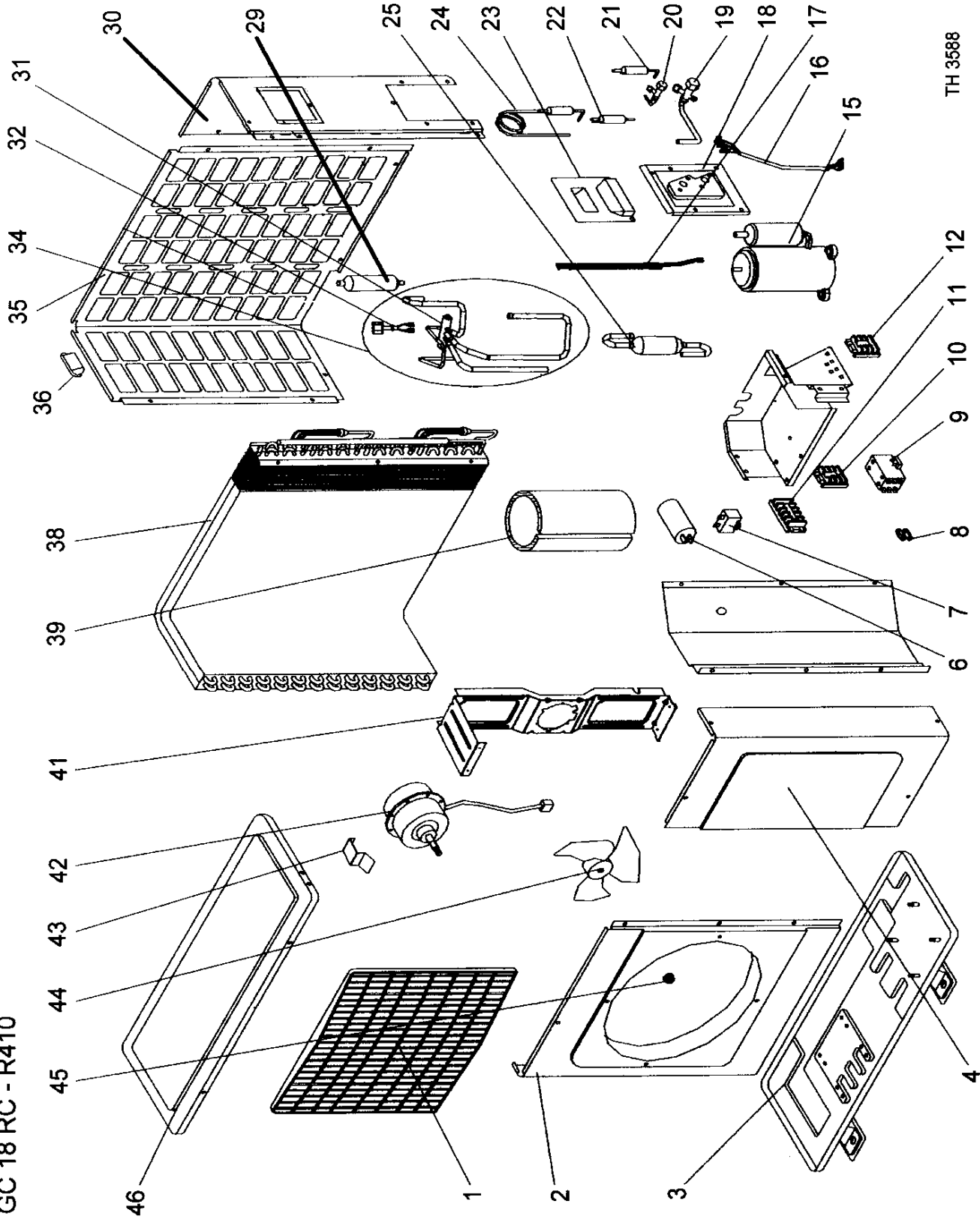
Internal number : 4386

Version : Cooling only 230/1/50

**Spare parts list used**

Loc	Spare parts code	Replaced by	Qty	Description	Observation
6	433705		1	Bottom assy	
20	442016		1	Capacitor 55uF/400V	
18	442007		1	Capacitor 6uF/400V	
15	433845		1	Capillary assembly	
13	190443		1	Casing resistor Mitsubishi	
14	433293		1	Compressor Mitsubishi NH NN27VBAMT	
21	437274		1	Compressor wiring Mitsubishi	
7	433846		1	Condenser	
22	402283		1	Cylinder liquid storage 3,5 l	
3	436357		1	Electrical box panel	
17	402495	473279	1	Electronic card Typhoon 5B	
9	434062		1	Fan motor 86W	
12	439342		1	Fan motor support	
4	439329		1	Front panel	
45	433847		1	Gas valve assy	
5	437091		1	Grill square (rounded)	
11	436358	371054	1	Handle	
10	433281		1	LH panel	
19	434716		1	Probe lg 1050mm (coil)	
8	4529604		1	Propeller D493*143	
2	433280		1	RH panel	
1	437045		1	Top panel	
16	433817		1	Tubing assembly	

GC 18 RC - R410



TH 3588

**Brand :Airwell Model : GC 18 NRC / R410**

Product Number : 7SP061436

Internal number : 3628

Version : Heat pump 230/1/50

**Spare parts list used**

Loc	Spare parts code	Replaced by	Qty	Description	Observation
3	4526956		1	Bottom	
8	204107		2	Cable clamp	
24	4526840		1	Capillary assembly	
17	4526922		1	Casing resistor	
32	4526589		1	Coil reversing valve	
6	455000507		1	Compressor capacitor	
15	4526623		1	Compressor GJ-208P/R410	
39	4526899		1	Compressor jacket	
16	4517345		1	Compressor wiring	
38	4526706		1	Condenser	
.	4516429		1	Condenser probe	
9	4524907		1	Contactora CJX9B-25S/01	
25	4523338		1	Cylinder	
23	4523145		1	Electrical box panel	
42	4526864	4526864R	1	Fan motor YYK85E-6	
2	452795700		1	Front panel	
4	94516786		1	Front RH panel	
19	4526530		1	Gas valve	
1	4517144		1	Grill square	
36	4516758		1	Handle	
43	4526585		1	Leg motor support	
20	4526531		1	Liquid valve	
7	455000102		1	Motor capacitor	
41	4526509		1	Motor support	
29	4526719		1	Muffle	
45	4523141		1	Nut M10	
44	4526510		1	Propeller d=460mm	
35	4517028		1	Rear panel	
22	4526839		1	Refrigerant filter assy	
21	4526931		1	Refrigerant filter assy	
31	4526522		1	Reversing valve	
34	4526710		1	Reversing valve+tubing	
30	4525938		1	Side panel	
10	4521744		1	Terminal (3 bits/4mm2)	

**Brand :Airwell Model : GC 18 NRC / R410**

Product Number : 7SP061436

Internal number : 3628

Version : Heat pump 230/1/50

**Spare parts list used**

<b>Loc</b>	<b>Spare parts code</b>	<b>Replaced by</b>	<b>Qty</b>	<b>Description</b>	<b>Observation</b>
11	4522469		1	Terminal (4 bits)	
12	4521733		1	Terminal (6 bits/6mm2)	
46	4516788		1	Top panel	
18	4516766		1	Valve plate assy	

**Brand :Airwell Model : GC 18 NRCT / R410**

Product Number : 7SP061589

Internal number : 3999

Version : Heat pump 400/3/50

**Spare parts list used**

Loc	Spare parts code	Replaced by	Qty	Description	Observation
3	4526956		1	Bottom	
8	204107		2	Cable clamp	
24	4526840		1	Capillary assembly	
32	4526589		1	Coil reversing valve	
39	452891300		1	Compressor jacket	
15	453019600		1	Compressor NN21Y	
16	4517131		1	Compressor wiring	
38	452796500		1	Condenser	
9	452872000		2	Contacteur (GC3-18S/01TH)	
25	452891400		1	Cylinder	
23	4523145		1	Electrical box panel	
42	4526864	4526864R	1	Fan motor YYK85E-6	
2	452795700		1	Front panel	
4	94516786		1	Front RH panel	
19	453163700		1	Gas valve	
1	4517144		1	Grill square	
36	4516758		1	Handle	
17	4520870		1	Heating resistor compressor	
43	452907400		1	Leg motor support	
20	4526531		1	Liquid valve	
7	455000104		1	Motor capacitor	
41	4526509		1	Motor support	
29	4526291		1	Muffle	
45	4523141		1	Nut M10	
.	4519695		1	Phases protection relay	
44	4526510		1	Propeller d=460mm	
35	4517028		1	Rear panel	
22	4526931		1	Refrigerant filter assy	
21	4526839		1	Refrigerant filter assy	
31	4526522		1	Reversing valve	
34	452882800		1	Reversing valve+tubing	
30	4525938		1	Side panel	
10	4522469		1	Terminal (4 bits)	
11	4527057		1	Terminal block 6 bits	

**Brand :Airwell Model : GC 18 NRCT / R410**

Product Number : 7SP061589

Internal number : 3999

Version : Heat pump 400/3/50

**Spare parts list used**

<b>Loc</b>	<b>Spare parts code</b>	<b>Replaced by</b>	<b>Qty</b>	<b>Description</b>	<b>Observation</b>
12	4521695		1	Terminal power (5 bits/6mm2)	
46	4516788		1	Top panel	
18	4516766		1	Valve plate assy	



**Brand :Airwell Model : GC 24 FLOX / R410**

Product Number : 7SP061680

Internal number : 4548

Version : Cooling only 230/1/50

**Spare parts list used**

Loc	Spare parts code	Replaced by	Qty	Description	Observation
3	452881901		1	Bottom	
8	204107		2	Cable clamp	
6	455000301		1	Capacitor 55uF	
13	4525427		1	Capacitor clip	
24	452901200		1	Capillary assembly	
17	452892100		1	Casing resistor	
15	4519000		1	Casing resistor spring	
35	452891300		1	Compressor jacket	
14	452864700		1	Compressor NN27VBAMT	
16	4517345		1	Compressor wiring	
34	452897800		1	Condenser	
25	452891400		1	Cylinder	
23	4523145		1	Electrical box panel	
37	4526864R		1	Fan motor YYK85E-6	
2	452795700		1	Front panel	
4	94516786		1	Front RH panel	
19	4526513		1	Gas valve	
1	4517144		1	Grill square	
32	4516758		1	Handle	
38	4526585		1	Leg motor support	
20	4526514		1	Liquid valve	
7	455000104		1	Motor capacitor	
36	4526509		1	Motor support	
28	4526291		1	Muffle	
40	4523141		1	Nut M10	
39	4526510		1	Propeller d=460mm	
31	4517028		1	Rear panel	
22	452891200		1	Refrigerant filter assy	
21	452891100		1	Refrigerant filter assy	
29	4525938		1	Side panel	
10	4521744		1	Terminal (3 bits/4mm2)	
9	4522469		1	Terminal (4 bits)	
11	4521733		1	Terminal (6 bits/6mm2)	
41	4516788		1	Top panel	

**Brand :Airwell Model : GC 24 FLOX / R410**

Product Number : 7SP061680

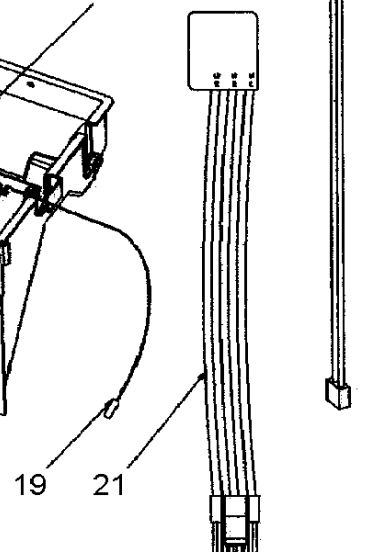
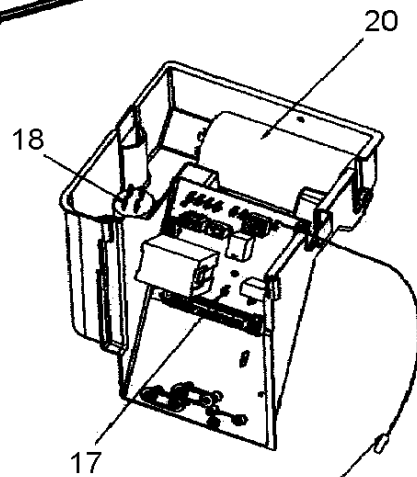
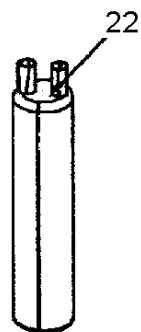
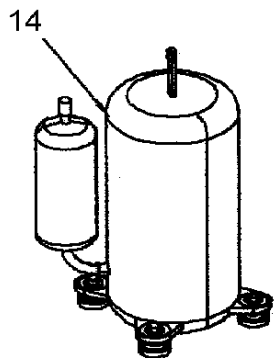
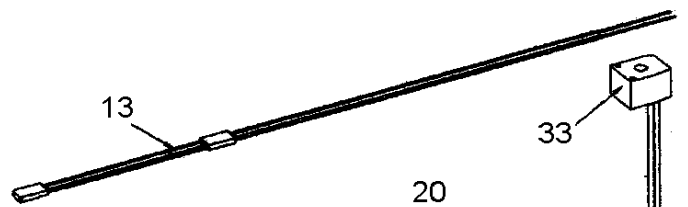
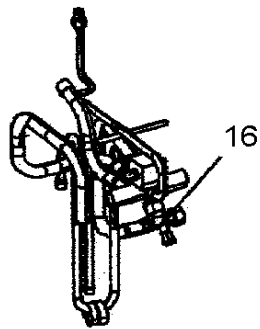
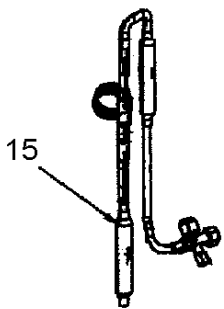
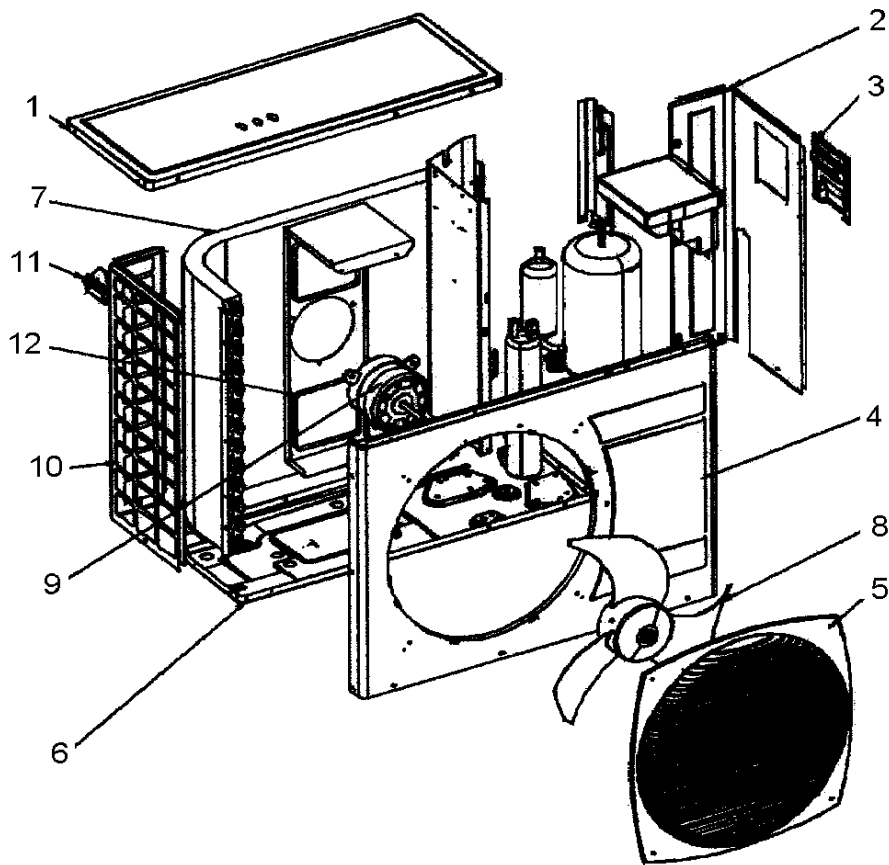
Internal number : 4548

Version : Cooling only 230/1/50

**Spare parts list used**

<b>Loc</b>	<b>Spare parts code</b>	<b>Replaced by</b>	<b>Qty</b>	<b>Description</b>	<b>Observation</b>
18	4516766		1	Valve plate assy	

# GC 24 NRC



**Brand :Airwell Model : GC 24 NRC / R410**

Product Number : 7SP061644

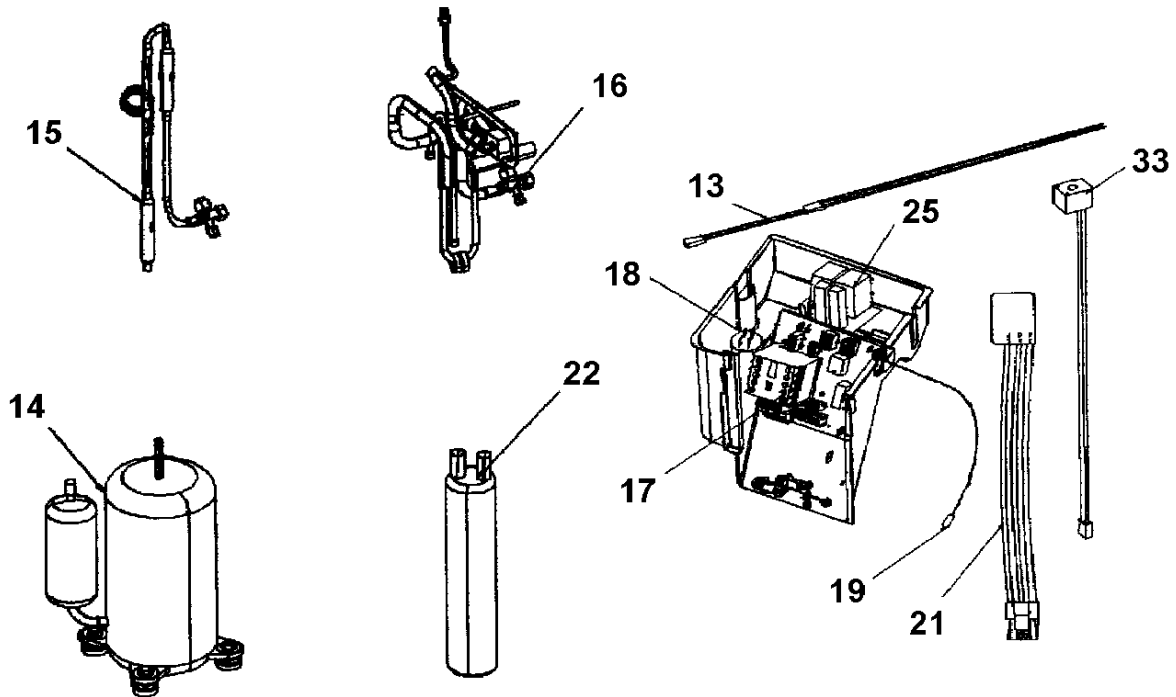
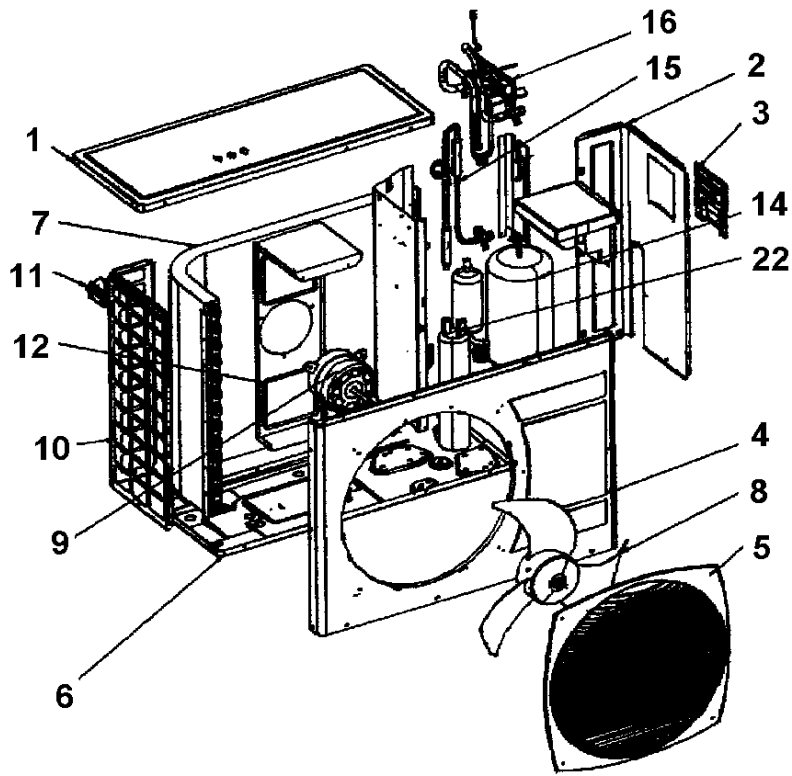
Internal number : 4160

Version : Heat pump 230/1/50

**Spare parts list used**

Loc	Spare parts code	Replaced by	Qty	Description	Observation
6	433294		1	Bottom assy	
20	442016		1	Capacitor 55uF/400V	
18	442007		1	Capacitor 6uF/400V	
15	433934		1	Capillary assembly	
13	190443		1	Casing resistor Mitsubishi	
33	442466		1	Coil reversing valve	
14	433293		1	Compressor Mitsubishi NH NN27VBAMT	
21	437274		1	Compressor wiring Mitsubishi	
7	433285		1	Condenser	
22	402283		1	Cylinder liquid storage 3,5 l	
3	372265	436357	1	Electrical box panel	
17	402495	473279	1	Electronic card Typhoon 5B	
9	434062		1	Fan motor 86W	
12	439342		1	Fan motor support	
4	439329		1	Front panel	
5	437091		1	Grill square (rounded)	
11	371054		1	Handle plastic	
10	433281		1	LH panel	
19	434716		1	Probe lg 1050mm (coil)	
8	4529604		1	Propeller D493*143	
16	433291		1	Reversing valve+tubing	
2	433280		1	RH panel	
1	437045		1	Top panel	

# GC 24 NRCT / R410A



**Brand :Airwell Model : GC 24 NRCT / R410**

Product Number : 7SP061645

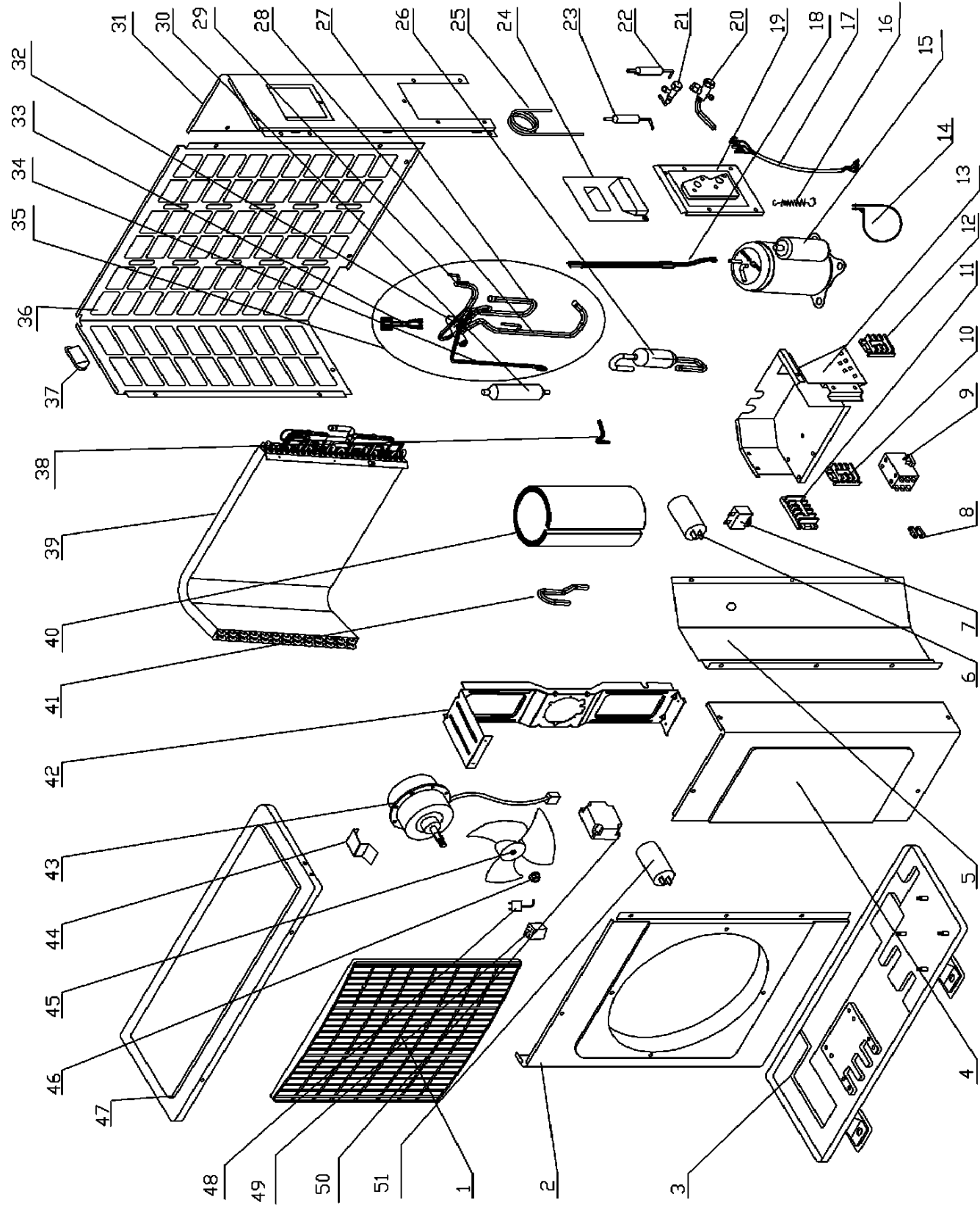
Internal number : 4384

Version : Heat pump 400/3/50

**Spare parts list used**

Loc	Spare parts code	Replaced by	Qty	Description	Observation
6	433294		1	Bottom assy	
18	442007		1	Capacitor 6uF/400V	
15	433934		1	Capillary assembly	
13	190443		1	Casing resistor Mitsubishi	
33	442466		1	Coil reversing valve	
14	433753		1	Compressor Mitsubishi NH NN27YDAMT tri	
21	437280		1	Compressor wiring	
7	433285		1	Condenser	
22	402283		1	Cylinder liquid storage 3,5 l	
3	436357		1	Electrical box panel	
17	402494		1	Electronic card Typhoon 3C	
9	434211		1	Fan motor 70W	
12	439342		1	Fan motor support	
4	439329		1	Front panel	
5	437091		1	Grill square (rounded)	
11	436358	371054	1	Handle	
10	433281		1	LH panel	
25	439795		1	Phases protection relay	
19	434716		1	Probe lg 1050mm (coil)	
8	4529604		1	Propeller D493*143	
16	433291		1	Reversing valve+tubing	
2	433280		1	RH panel	
1	437045		1	Top panel	

# GC 24 RC FLOX / R410



**Brand :Airwell Model : GC 24 RC FLOX / R410**

Product Number : 7SP061681

Internal number : 4547

Version : Heat pump 230/1/50

**Spare parts list used**

Loc	Spare parts code	Replaced by	Qty	Description	Observation
3	452881901		1	Bottom	
8	204107		2	Cable clamp	
6	455000301		1	Capacitor 55uF	
14	4525427		1	Capacitor clip	
25	453257300		1	Capillary + Check valve ass'y	
18	452892100		1	Casing resistor	
16	4519000		1	Casing resistor spring	
33	4526589		1	Coil reversing valve	
40	452891300		1	Compressor jacket	
15	452864700		1	Compressor NN27VBAMT	
17	4517345		1	Compressor wiring	
39	452882900		1	Condenser	
9	4524907		1	Contactora CJX9B-25S/01	
26	452891400		1	Cylinder	
24	4523145		1	Electrical box panel	
43	4526864R		1	Fan motor YYK85E-6	
2	452795700		1	Front panel	
4	94516786		1	Front RH panel	
20	4526513		1	Gas valve	
1	4517144		1	Grill square	
37	4516758		1	Handle	
48	452925700		1	HP pressure switch	
44	4526585		1	Leg motor support	
21	4526514		1	Liquid valve	
7	455000104		1	Motor capacitor	
42	4526509		1	Motor support	
30	4526291		1	Muffle	
46	4523141		1	Nut M10	
45	4526510		1	Propeller d=460mm	
36	4517028		1	Rear panel	
23	452891200		1	Refrigerant filter assy	
22	452891100		1	Refrigerant filter assy	
49	192106	230181	1	Relay Matsuba 250V 10A	
32	4526522		1	Reversing valve	



**Brand :Airwell Model : GC 24 RC FLOX / R410**

Product Number : 7SP061681

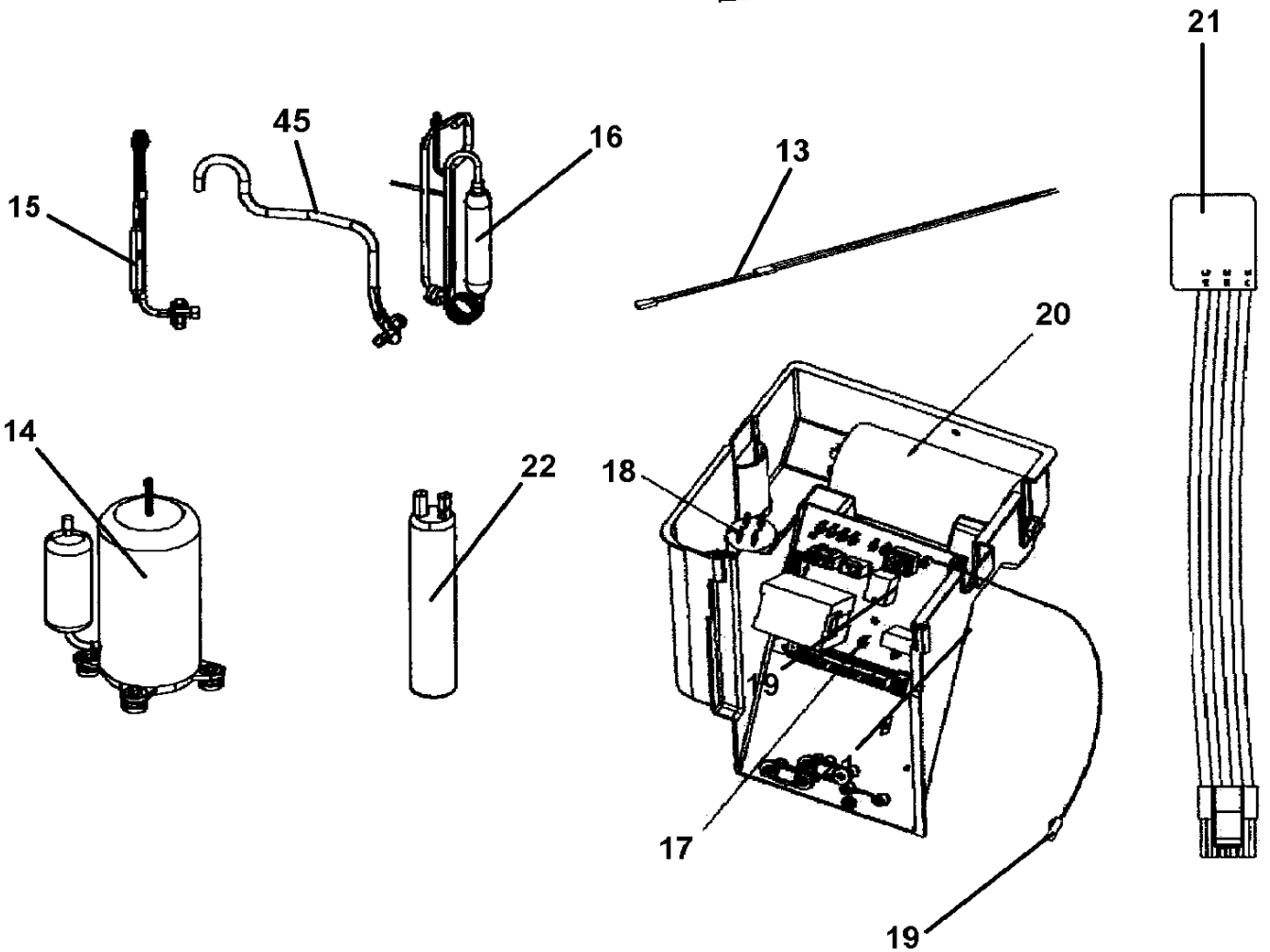
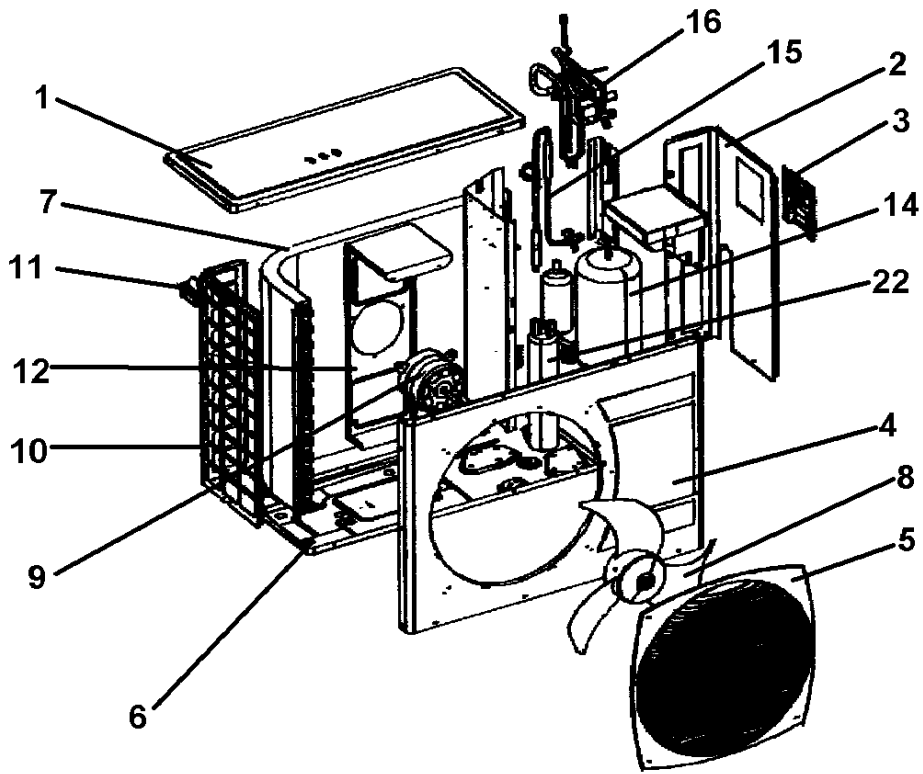
Internal number : 4547

Version : Heat pump 230/1/50

**Spare parts list used**

<b>Loc</b>	<b>Spare parts code</b>	<b>Replaced by</b>	<b>Qty</b>	<b>Description</b>	<b>Observation</b>
35	452882800		1	Reversing valve+tubing	
31	4525938		1	Side panel	
10	4521744		1	Terminal (3 bits/4mm2)	
11	4522469		1	Terminal (4 bits)	
12	4521733		1	Terminal (6 bits/6mm2)	
47	4516788		1	Top panel	
19	4516766		1	Valve plate assy	

# GCN 24 N - R410



**Brand :Airwell Model : GCN 24 N / R410**

Product Number : 7SP061594

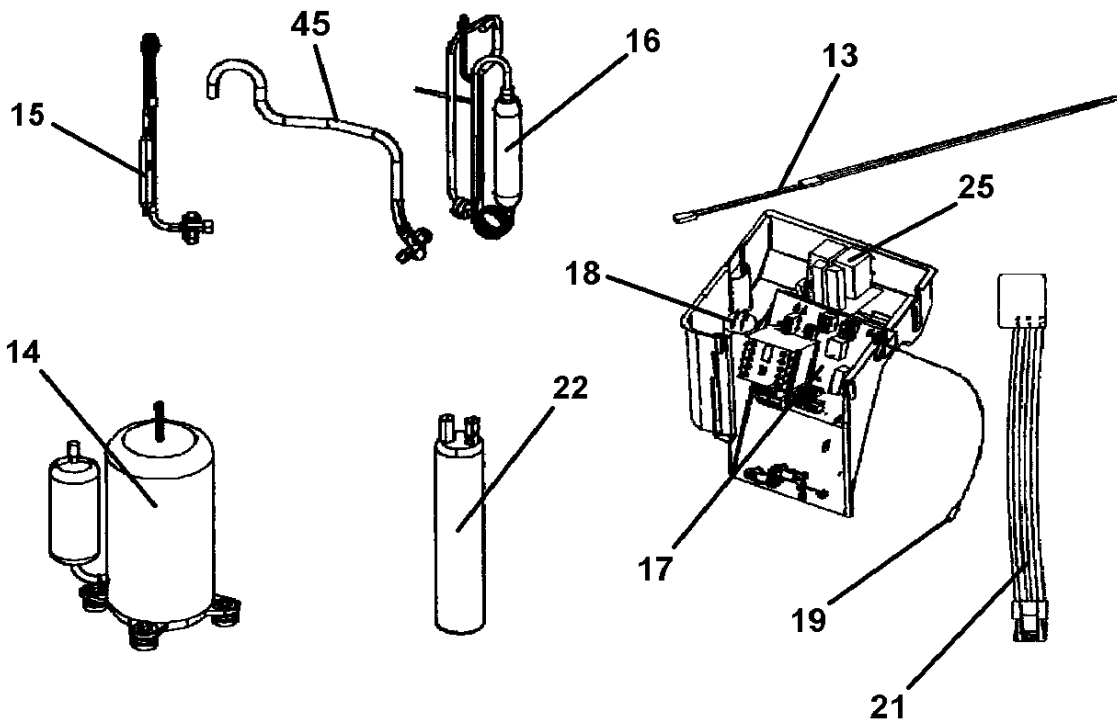
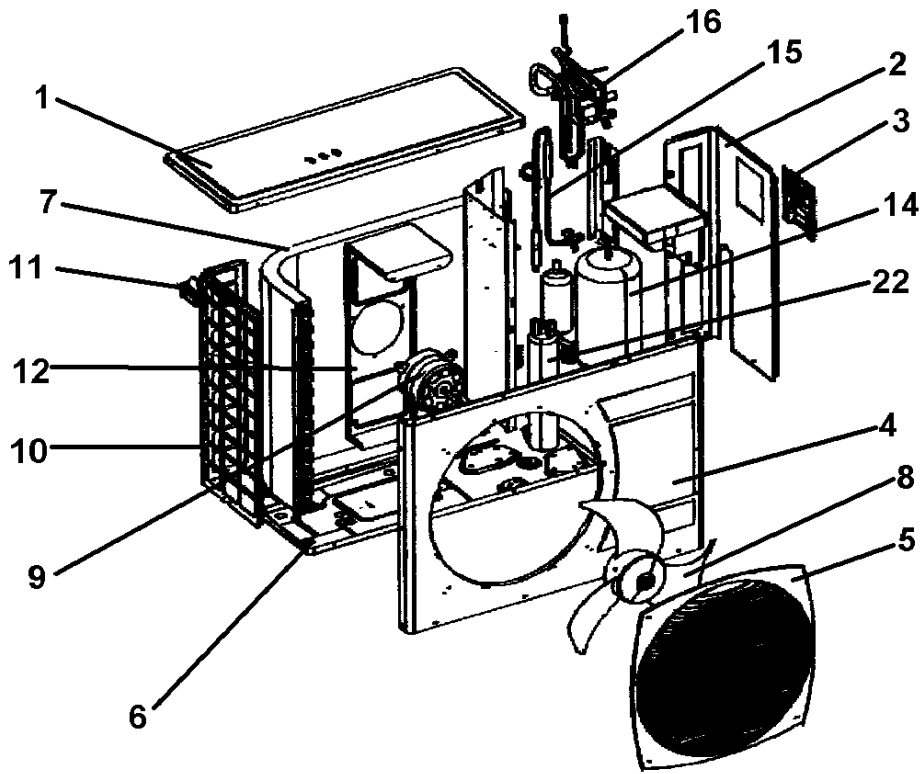
Internal number : 4386

Version : Cooling only 230/1/50

**Spare parts list used**

Loc	Spare parts code	Replaced by	Qty	Description	Observation
6	433705		1	Bottom assy	
20	442016		1	Capacitor 55uF/400V	
18	442007		1	Capacitor 6uF/400V	
15	433845		1	Capillary assembly	
13	190443		1	Casing resistor Mitsubishi	
14	433293		1	Compressor Mitsubishi NH NN27VBAMT	
21	437274		1	Compressor wiring Mitsubishi	
7	433846		1	Condenser	
22	402283		1	Cylinder liquid storage 3,5 l	
3	436357		1	Electrical box panel	
17	402495	473279	1	Electronic card Typhoon 5B	
9	434062		1	Fan motor 86W	
12	439342		1	Fan motor support	
4	439329		1	Front panel	
45	433847		1	Gas valve assy	
5	437091		1	Grill square (rounded)	
11	436358	371054	1	Handle	
10	433281		1	LH panel	
19	434716		1	Probe lg 1050mm (coil)	
8	4529604		1	Propeller D493*143	
2	433280		1	RH panel	
1	437045		1	Top panel	
16	433817		1	Tubing assembly	

# GCN 24 T - R410



**Brand :Airwell Model : GCN 24 T / R410**

Product Number : 7SP061597

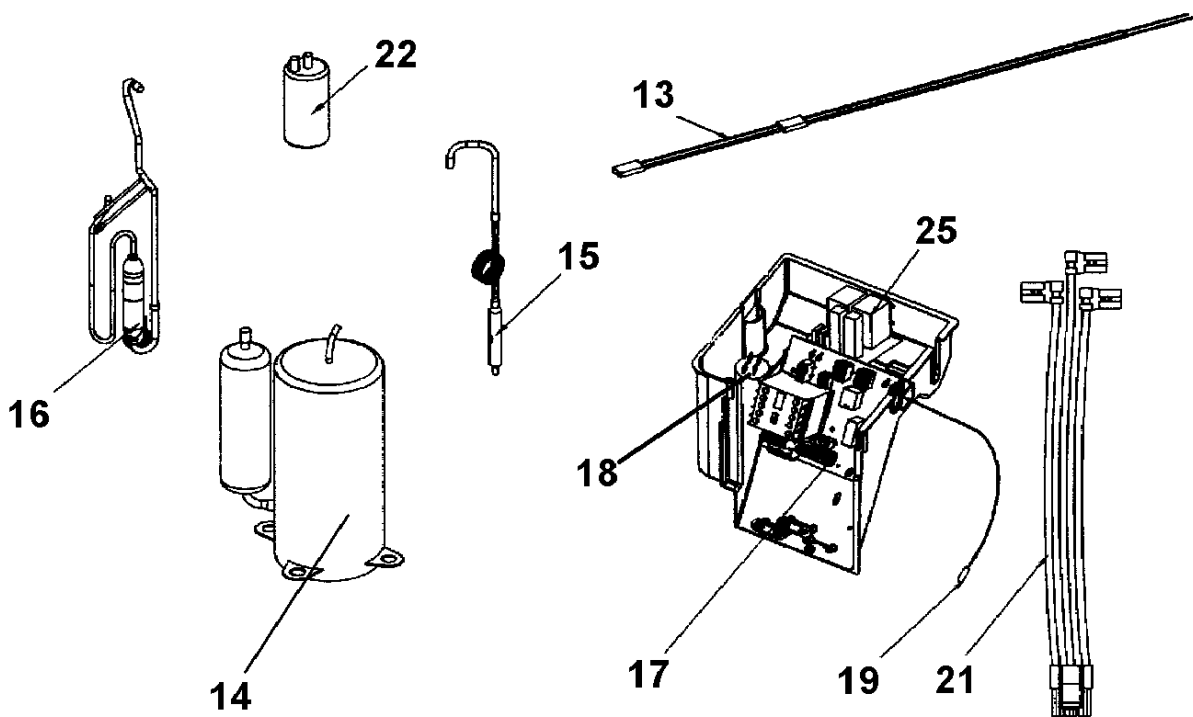
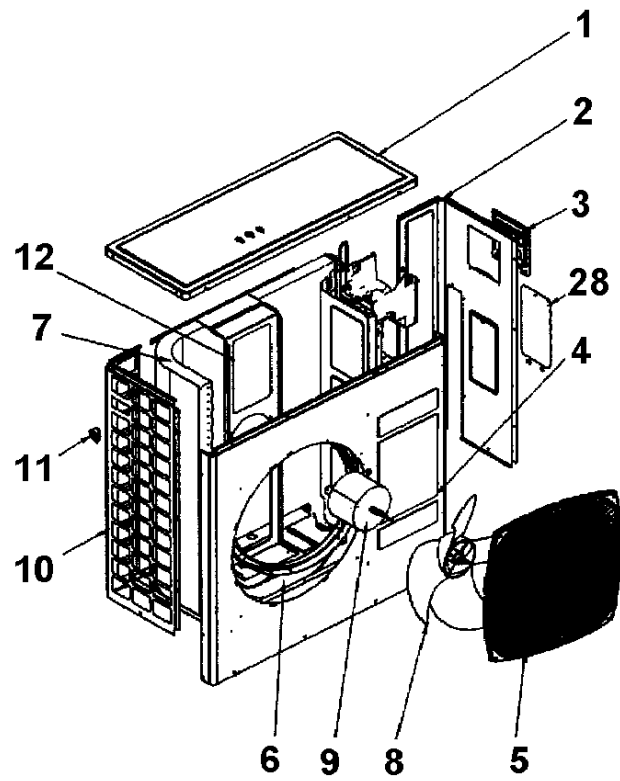
Internal number : 4382

Version : Cooling only 400/3/50

**Spare parts list used**

Loc	Spare parts code	Replaced by	Qty	Description	Observation
6	433705		1	Bottom assy	
18	442007		1	Capacitor 6uF/400V	
15	433845		1	Capillary assembly	
13	190443		1	Casing resistor Mitsubishi	
14	433753		1	Compressor Mitsubishi NH NN27YDAMT tri	
21	437278		1	Compressor wiring Mitsubishi	
7	433846		1	Condenser	
22	402283		1	Cylinder liquid storage 3,5 l	
3	436357		1	Electrical box panel	
17	402494		1	Electronic card Typhoon 3C	
9	434062		1	Fan motor 86W	
12	439342		1	Fan motor support	
4	439329		1	Front panel	
45	433847		1	Gas valve assy	
5	437091		1	Grill square (rounded)	
11	436358	371054	1	Handle	
10	433281		1	LH panel	
25	439795		1	Phases protection relay	
19	434716		1	Probe lg 1050mm (coil)	
8	4529604		1	Propeller D493*143	
2	433280		1	RH panel	
1	437045		1	Top panel	
16	433817		1	Tubing assembly	

# GCN 30



**Brand :Airwell Model : GCN 30 N / R410**

Product Number : 7SP061601

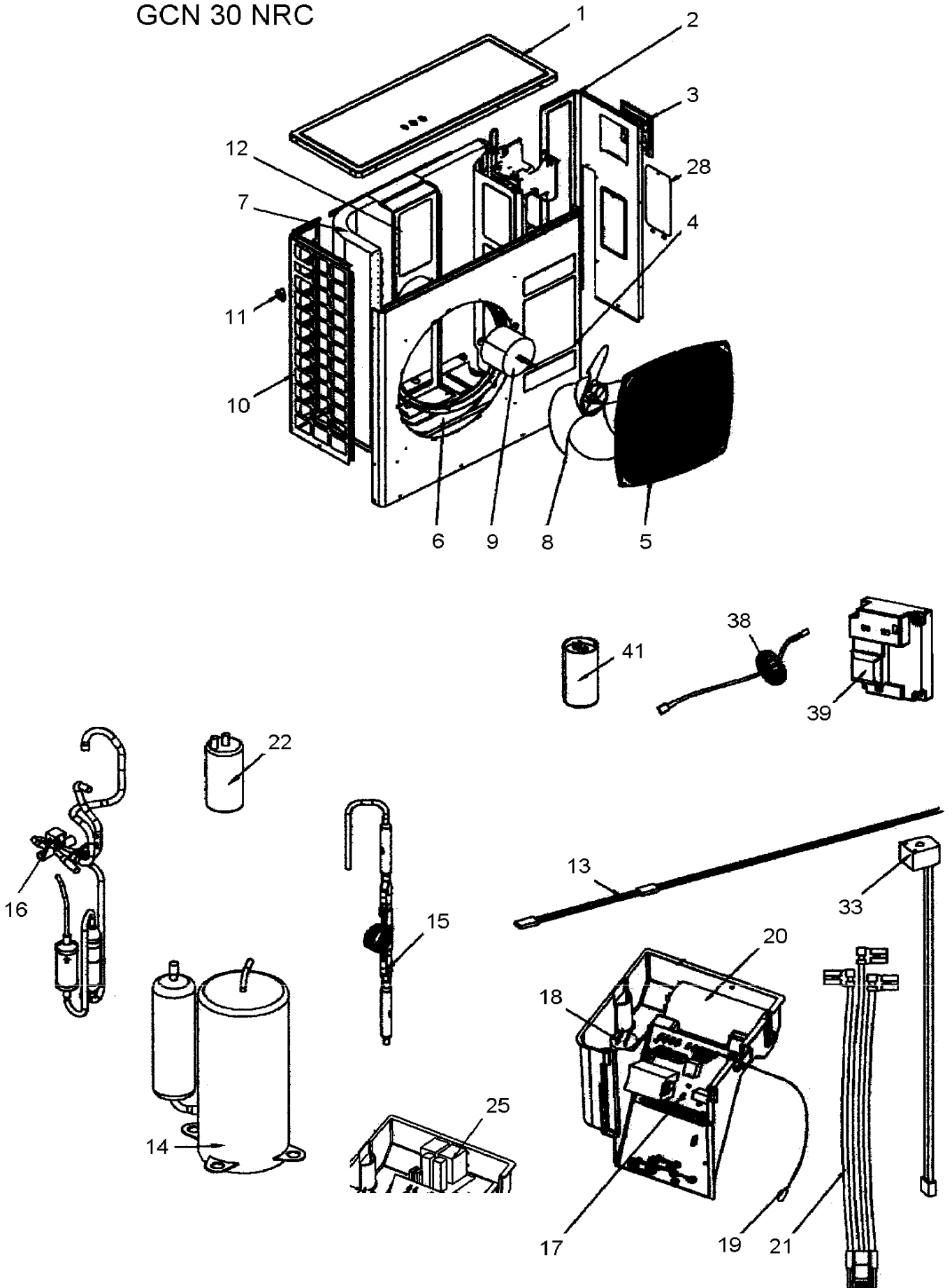
Internal number : 4385

Version : Cooling only 230/1/50

**Spare parts list used**

Loc	Spare parts code	Replaced by	Qty	Description	Observation
6	433705		1	Bottom assy	
20	442016		1	Capacitor 55uF/400V	
18	442007		1	Capacitor 6uF/400V	
15	433830		1	Capillary assy	
13	190443		1	Casing resistor Mitsubishi	
38	433607		1	Chock for soft starter	
14	433297		1	Compressor Mitsubishi NH NN33VAAMT	
39	433296		1	Compressor started electronic card (Soft Start)	
21	437292		1	Compressor wiring Mitsubishi	
7	433834		1	Condenser	
22	402284		1	Cylinder liquid storage 5"x3/4	
3	436357		1	Electrical box panel	
17	402495	473279	1	Electronic card Typhoon 5B	
9	434062		1	Fan motor 86W	
4	439929		1	Front panel	
5	437091		1	Grill square (rounded)	
11	436358	371054	1	Handle	
28	439656		1	Inspection panel	
12	439775		1	Motor support	
19	434716		1	Probe lg 1050mm (coil)	
8	4529604		1	Propeller D493*143	
10	403996	402929	1	Rear panel	
2	402930		1	RH panel	
41	442022		1	Starter capacitor compr.161-193uF/275V P1	
1	437045		1	Top panel	

# GCN 30 NRC





**Brand :Airwell Model : GCN 30 NRC / R410**

Product Number : 7SP061604

Internal number : 4172

Version : Heat pump 230/1/50

**Spare parts list used**

Loc	Spare parts code	Replaced by	Qty	Description	Observation
6	433294		1	Bottom assy	
20	442016		1	Capacitor 55uF/400V	
18	442007		1	Capacitor 6uF/400V	
15	433822		1	Capillary assembly	
13	190443		1	Casing resistor Mitsubishi	
38	433607		1	Chock for soft starter	
33	442466		1	Coil reversing valve	
14	433297		1	Compressor Mitsubishi NH NN33VAAMT	
21	437292		1	Compressor wiring Mitsubishi	
7	433807		1	Condenser	
22	402284		1	Cylinder liquid storage 5"x3/4	
3	372265	436357	1	Electrical box panel	
39	234259	438773	1	Electronic card Soft Start	
17	402495	473279	1	Electronic card Typhoon 5B	
9	434062		1	Fan motor 86W	
4	439929		1	Front panel	
5	437091		1	Grill square (rounded)	
11	371054		1	Handle plastic	
28	439656		1	Inspection panel	
12	439775		1	Motor support	
19	434716		1	Probe lg 1050mm (coil)	
8	4529604		1	Propeller D493*143	
10	402929		1	Rear panel	
.	442520		1	Reversing valve coil (DUNAN)	For tubing ass'y 433974
16	433829	433974+442520(bob	1	Reversing valve+tubing	
2	402930		1	RH panel	
41	442022		1	Starter capacitor compr.161-193uF/275V P1	
1	437045		1	Top panel	

**Brand :Airwell Model : GCN 30 NRCT / R410**

Product Number : 7SP061605

Internal number : 4173

Version : Heat pump 400/3/50

**Spare parts list used**

Loc	Spare parts code	Replaced by	Qty	Description	Observation
6	433294		1	Bottom assy	
18	442007		1	Capacitor 6uF/400V	
15	433822		1	Capillary assembly	
13	190443		1	Casing resistor Mitsubishi	
33	442466		1	Coil reversing valve	
14	433298		1	Compressor NN33YCMT	
21	437278		1	Compressor wiring Mitsubishi	
7	433807		1	Condenser	
22	402284		1	Cylinder liquid storage 5"x3/4	
3	372265	436357	1	Electrical box panel	
17	402494		1	Electronic card Typhoon 3C	
9	434062		1	Fan motor 86W	
4	439929		1	Front panel	
5	437091		1	Grill square (rounded)	
11	371054		1	Handle plastic	
28	439656		1	Inspection panel	
12	439775		1	Motor support	
25	439795		1	Phases protection relay	
19	434716		1	Probe lg 1050mm (coil)	
8	4529604		1	Propeller D493*143	
10	402929		1	Rear panel	
16	433829	433974+442520(bob	1	Reversing valve+tubing	
2	402930		1	RH panel	
1	437045		1	Top panel	

**Brand :Airwell Model : GCN 30 NT / R410**

Product Number : 7SP061602

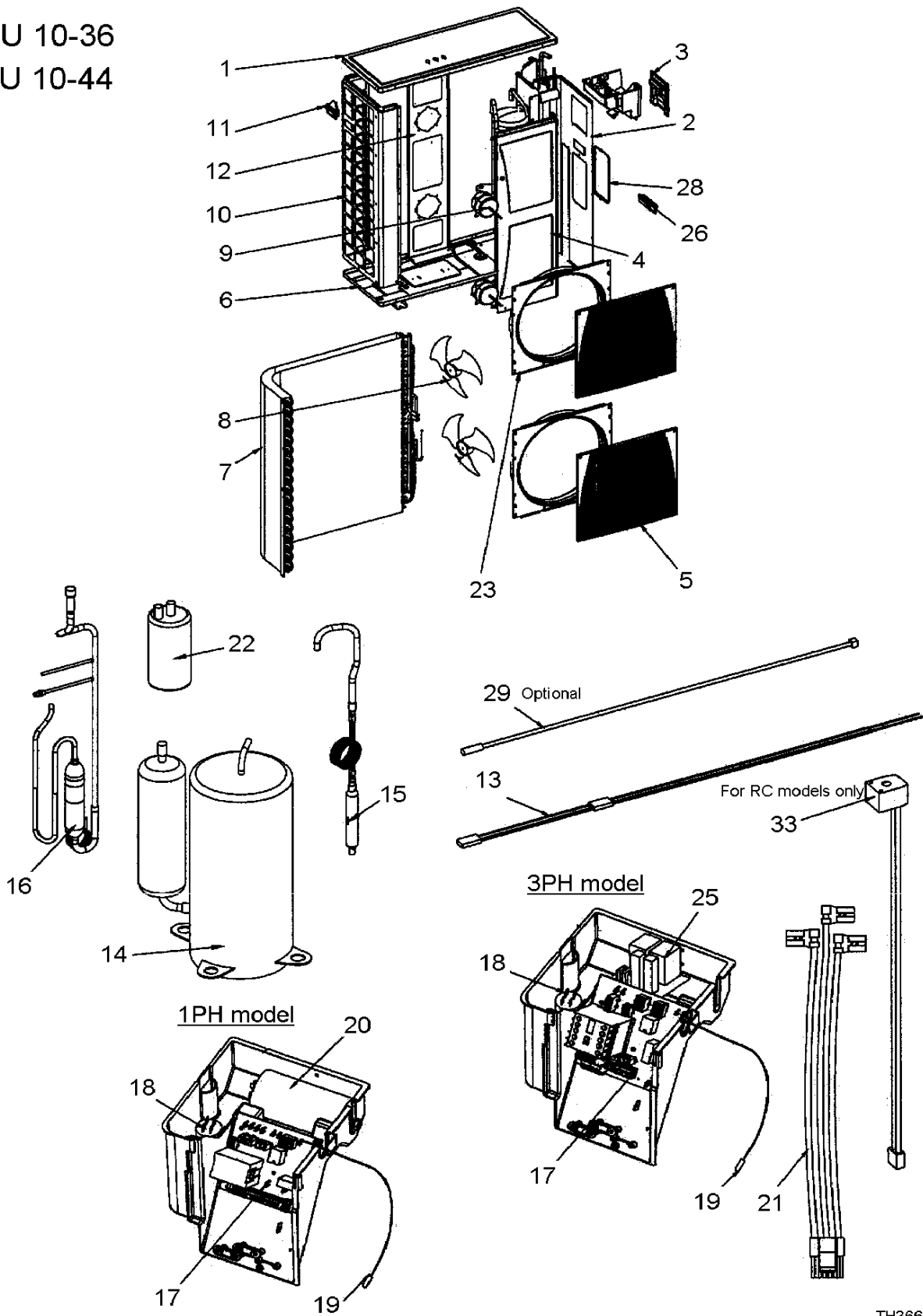
Internal number : 4334

Version : Cooling only 230/1/50

**Spare parts list used**

Loc	Spare parts code	Replaced by	Qty	Description	Observation
6	433705		1	Bottom assy	
18	442007		1	Capacitor 6uF/400V	
15	433830		1	Capillary assy	
13	190443		1	Casing resistor Mitsubishi	
14	433298		1	Compressor NN33YCAMT	
21	437278		1	Compressor wiring Mitsubishi	
7	433834		1	Condenser	
22	402284		1	Cylinder liquid storage 5"x3/4	
3	436357		1	Electrical box panel	
17	402494		1	Electronic card Typhoon 3C	
9	434062		1	Fan motor 86W	
4	439929		1	Front panel	
5	437091		1	Grill square (rounded)	
11	436358	371054	1	Handle	
28	439656		1	Inspection panel	
12	439775		1	Motor support	
25	439795		1	Phases protection relay	
19	434716		1	Probe lg 1050mm (coil)	
8	4529604		1	Propeller D493*143	
10	403996	402929	1	Rear panel	
2	402930		1	RH panel	
1	437045		1	Top panel	

OU 10-36  
 OU 10-44



**Brand :Airwell Model : GCN 37 N / R410**

Product Number : 7SP061621

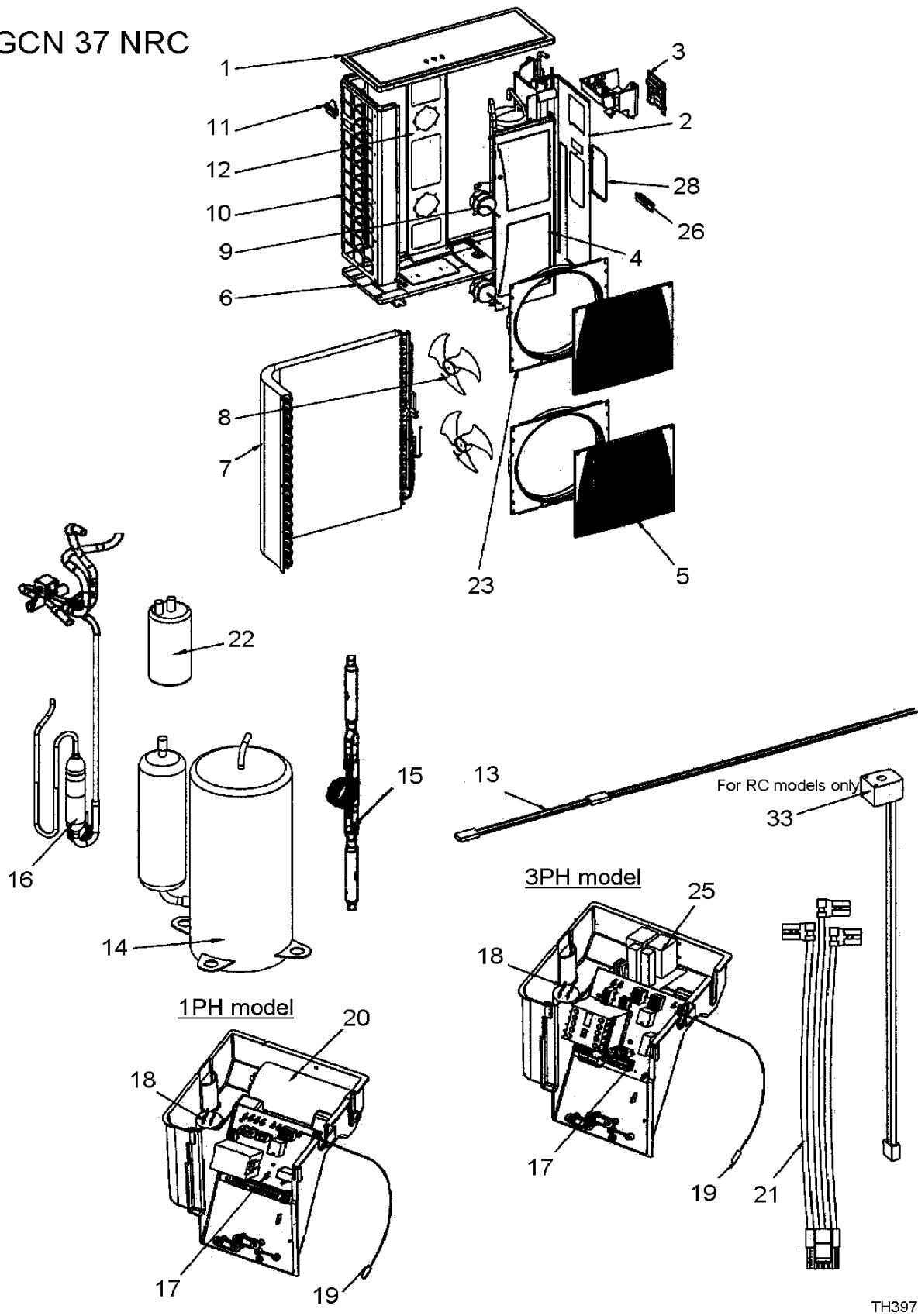
Internal number : 4156

Version : Cooling only 230/1/50

**Spare parts list used**

Loc	Spare parts code	Replaced by	Qty	Description	Observation
6	433705		1	Bottom assy	
18	442017		2	Capacitor 3uF400V	
20	442010		1	Capacitor 60uF/400V	
15	433872		1	Capillary assembly	
13	190443		1	Casing resistor Mitsubishi	
14	433279		1	Compressor Mitsubishi NH NN40VAAMT	
21	437279		1	Compressor wiring	
7	433868		1	Condenser	
22	402189		1	Cylinder liquid storage 7/8"	
3	372265	436357	1	Electrical box panel	
17	402495	473279	1	Electronic card Typhoon 5B	
5	439662		2	Fan grill	
9	439865		2	Fan motor 70W	
12	439657		1	Fan motor support	
23	439661		2	Fan panel	
4	439653		1	Front panel	
11	371054		1	Handle plastic	
26	436352		1	Handle plastic	
28	439656		1	Inspection panel	
19	434716		1	Probe lg 1050mm (coil)	
8	439650		2	Propeller D400*112	
10	430838		1	Rear panel	
2	439655		1	RH panel	
1	437045		1	Top panel	
16	433873		1	Tubing assembly	

# GCN 37 NRC



**Brand :Airwell Model : GCN 37 NRC / R410**

Product Number : 7SP061630

Internal number : 4178

Version : Heat pump 230/1/50

**Spare parts list used**

Loc	Spare parts code	Replaced by	Qty	Description	Observation
6	433294		1	Bottom assy	
18	442017		2	Capacitor 3uF400V	
20	442010		1	Capacitor 60uF/400V	
15	433857		1	Capillary assembly	
13	190443		1	Casing resistor Mitsubishi	
33	442466		1	Coil reversing valve	
14	433279		1	Compressor Mitsubishi NH NN40VAAMT	
21	437279		1	Compressor wiring	
7	433854		1	Condenser	
22	402189		1	Cylinder liquid storage 7/8"	
3	372265	436357	1	Electrical box panel	
17	402495	473279	1	Electronic card Typhoon 5B	
5	439662		2	Fan grill	
9	439865		2	Fan motor 70W	
12	439657		1	Fan motor support	
23	439661		2	Fan panel	
4	439653		1	Front panel	
.	433860		1	Gas valve	
11	371054		1	Handle plastic	
26	436352		1	Handle plastic	
28	439656		1	Inspection panel	
.	439895		1	Liquid valve	
12	433709		1	Motor support attachment leg	
19	434716		1	Probe lg 1050mm (coil)	
8	439650		2	Propeller D400*112	
10	430838		1	Rear panel	
16	433865		1	Reversing valve+tubing	
2	439655		1	RH panel	
1	437045		1	Top panel	

**Brand :Airwell Model : GCN 37 NRCT / R410**

Product Number : 7SP061631

Internal number : 4179

Version : Heat pump 400/3/50

**Spare parts list used**

Loc	Spare parts code	Replaced by	Qty	Description	Observation
33	442466		1	Bobine vanne d'inversion	
22	402189		1	Bouteille réserve liquide 7/8"	
17	402494		1	Carte électronique Typhoon 3C	
14	433855		1	Compresseur Mitsubishi NN40YCMT- 3PH	
18	442017		2	Condensateur 3uF/400V	
7	433854		1	Condenseur	
25	439795		1	Controleur de phases	
15	433857		1	Ens. capillaire	
6	433294		1	Ens. fond	
21	437280		1	Faisceau compresseur	
5	439662		2	Grille de ventilateur	
8	439650		2	Hélice D400*112	
9	439865		2	Moteur ventil 70W	
10	430838		1	Panneau arrière	
4	439653		1	Panneau avant	
1	437045		1	Panneau de dessus	
2	439655		1	Panneau droit	
23	439661		2	Panneau ventil	
12	433709		1	Patte de fixation support moteur	
11	371054		1	Poignée plastique	
26	436352		1	Poignée plastique	
3	372265	436357	1	Porte boîtier électrique	
13	190443		1	Résistance carter Mitsubishi	
19	434716		1	Sonde batterie lg 1050mm	
12	439657		1	Support moteur ventil	
28	439656		1	Trappe de visite	
16	433865		1	Vanne d'inversion+tubing	
.	434544		1	Vanne de service 3/4" (gaz)	
.	434527		1	Vanne de service 3/8" (liquide)	



**Brand :Airwell Model : GCN 37 NT / R410**

Product Number : 7SP061622

Internal number : 4157

Version : Cooling only 400/3/50

**Spare parts list used**

Loc	Spare parts code	Replaced by	Qty	Description	Observation
6	433705		1	Bottom assy	
18	442017		2	Capacitor 3uF400V	
15	433872		1	Capillary assembly	
13	190443		1	Casing resistor Mitsubishi	
14	433855		1	Compressor Mitsubishi NH NN40YCAMT- 3PH	
21	437280		1	Compressor wiring	
7	433868		1	Condenser	
22	402189		1	Cylinder liquid storage 7/8"	
3	372265	436357	1	Electrical box panel	
17	402494		1	Electronic card Typhoon 3C	
5	439662		2	Fan grill	
9	439865		2	Fan motor 70W	
12	439657		1	Fan motor support	
23	439661		2	Fan panel	
4	439653		1	Front panel	
11	371054		1	Handle plastic	
26	436352		1	Handle plastic	
28	439656		1	Inspection panel	
25	439795		1	Phases protection relay	
19	434716		1	Probe lg 1050mm (coil)	
8	439650		2	Propeller D400*112	
10	430838		1	Rear panel	
2	439655		1	RH panel	
1	437045		1	Top panel	
16	433873		1	Tubing assembly	