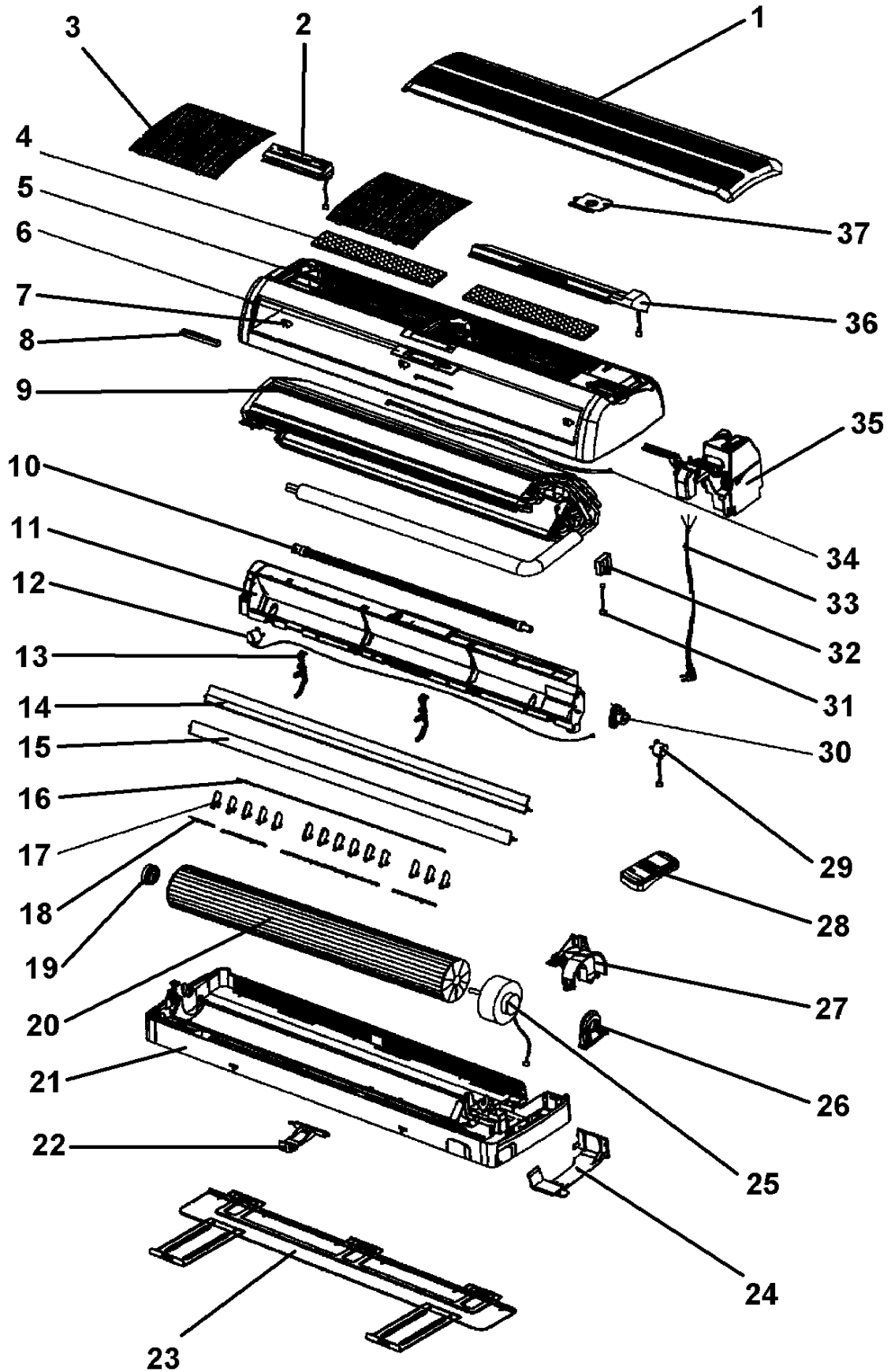


FLO 18-24 / R410



Brand :Airwell Model : ST FLO 18 N ESF / R410

Product Number : 7SP022192

Internal number : 4388

Version : Cooling only 230/1/50

Spare parts list used

Loc	Spare parts code	Replaced by	Qty	Description	Observation
4	4518113		1	Air filter assembly	
19	4518662		1	Bearing assembly	
21	453053800		1	Bottom assy	
10	4518664		1	Condensate drain pipe	
16	452918500		1	Deflector link rod A	
16	452918600		1	Deflector link rod B	
18	452953000		1	Deflector support C	
2	453049500		1	Display assembly	
35	453049300		1	Electronic unit	
36	4524963		1	Electrostatic filter	
9	453046600		1	Evaporator	
25	453024500		1	Fan motor	
27	452918800		1	Fan motor support	
3	452919800		2	Filter	
5	453054000		1	Front panel	
30	453057900		1	Gear box assy	
1	452917400		1	Grill	
28	452760600	452760600R	1	Infrared Remote control (RC4 HL)	
28	453042500	453042500R	1	Infrared Remote control RC4-I-1	"Ioniser function"
8	467480001		1	Ionizer	
34	4524967		1	Ionizer cable A	
31	4526201		1	Ionizer cable B	
32	467430000		1	Ionizer capacitor	
6	4526946		1	Lens (display)	
13	452918700		1	Louver support	
15	452917600		1	Lower louver	
29	453050300		1	Lower step motor	
26	4518651		1	Motor flange	
11	453053900		1	Motorized air diffuser assembly	
24	452919400		1	Pipes clamp	
33	4517022		1	Power cord plug	
7	452919600		3	Screw cover	
22	4518657		1	Tubes lock	
20	453024900		1	Turbine	

Brand :Airwell Model : ST FLO 18 N ESF / R410

Product Number : 7SP022192

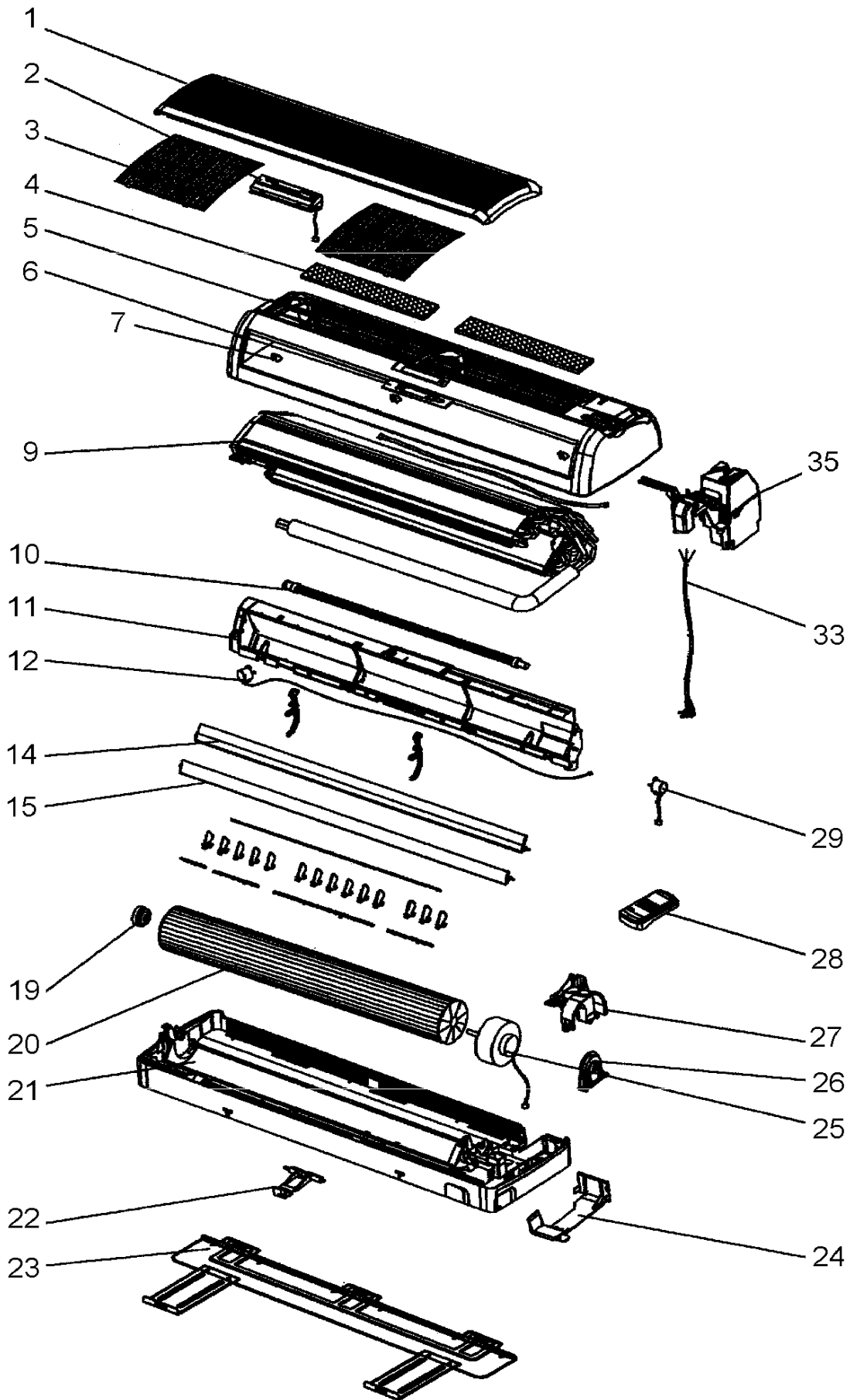
Internal number : 4388

Version : Cooling only 230/1/50

Spare parts list used

Loc	Spare parts code	Replaced by	Qty	Description	Observation
14	452917500		1	Upper louver	
12	453050200		1	Upper step motor	
17	452930700		12	Vertical louver A	
17	452918200		2	Vertical louver B	
18	452918300		1	Vertical louver support A	
18	452918400		2	Vertical louver support B	
23	452920100		1	Wall support	
37	452919500		1	Wire cover	

FLO 18 - 24 NRC



Brand :Airwell Model : ST FLO 18 NRC / R410

Product Number : 7SP022191

Internal number : 4038

Version : Heat pump 230/1/50-400/3/50

Spare parts list used

Loc	Spare parts code	Replaced by	Qty	Description	Observation
11	452917300		1	Air diffuser assembly	
4	4518113		1	Air filter assembly	
.	438082	231219	1	Battery probe length 320mm (black)	
19	4518662		1	Bearing assembly	
21	453053800		1	Bottom assy	
10	4518664		1	Condensate drain pipe	
2	453049500		1	Display assembly	
35	453049300		1	Electronic unit	
9	453046600		1	Evaporator	
25	453024500		1	Fan motor	
27	452918800		1	Fan motor support	
3	452919800		2	Filter	
5	453054000		1	Front panel	
1	452917400		1	Grill	
28	452760600	452760600R	1	Infrared Remote control (RC4 HL)	
28	453042500	453042500R	1	Infrared Remote control RC4-I-1	"Ioniser function"
6	4526946		1	Lens (display)	
15	452917600		1	Lower louver	
29	453050300		1	Lower step motor	
26	4518651		1	Motor flange	
24	452919400		1	Pipes clamp	
33	453232400		1	Power cord plug	
.	4519813		1	Room temperature probe (lg 320mmm)	
7	452919600		3	Screw cover	
22	4518657		1	Tubes lock	
20	453024900		1	Turbine	
14	452917500		1	Upper louver	
12	453050200		1	Upper step motor	
23	452920100		1	Wall support	

Brand :Airwell Model : ST FLO 24 NRC / R410

Product Number : 7SP022339

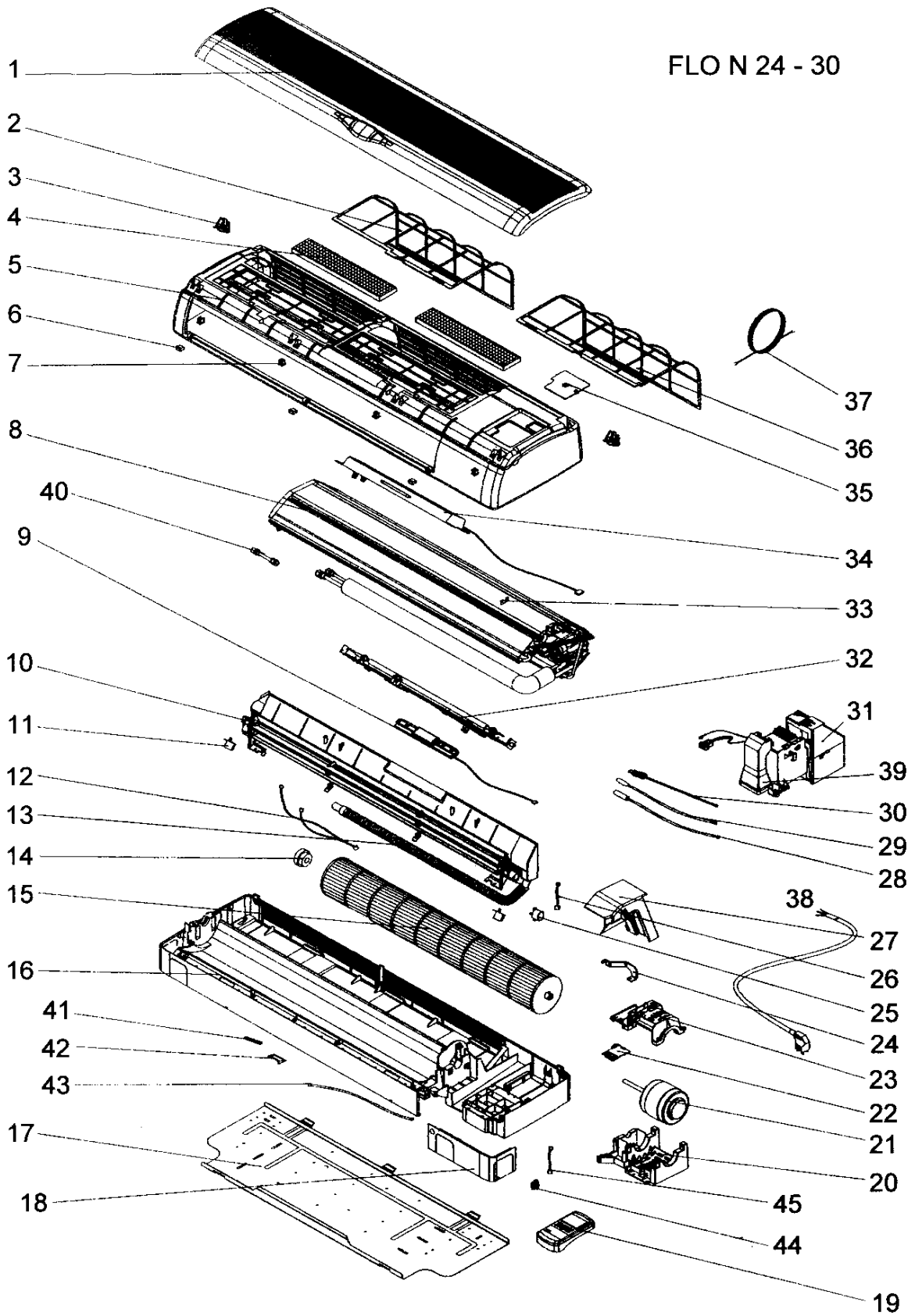
Internal number : 4039

Version : Heat pump 230/1/50-400/3/50

Spare parts list used

Loc	Spare parts code	Replaced by	Qty	Description	Observation
11	452917300		1	Air diffuser assembly	
4	4518113		1	Air filter assembly	
.	438082	231219	1	Battery probe length 320mm (black)	
19	4518662		1	Bearing assembly	
21	453053800		1	Bottom assy	
10	4518664		1	Condensate drain pipe	
2	453049500		1	Display assembly	
35	453051000		1	Electronic unit	
9	453260400		1	Evaporator	
25	453024500		1	Fan motor	
27	452918800		1	Fan motor support	
3	452919800		2	Filter	
5	453054000		1	Front panel	
1	452917400		1	Grill	
28	452760600	452760600R	1	Infrared Remote control (RC4 HL)	
28	453042500	453042500R	1	Infrared Remote control RC4-I-1	"Ioniser function"
6	4526946		1	Lens (display)	
15	452917600		1	Lower louver	
29	453050300		1	Lower step motor	
26	4518651		1	Motor flange	
24	452919400		1	Pipes clamp	
33	453232400		1	Power cord plug	
.	4519813		1	Room temperature probe (lg 320mmm)	
7	452919600		3	Screw cover	
22	4518657		1	Tubes lock	
20	453024900		1	Turbine	
14	452917500		1	Upper louver	
12	453050200		1	Upper step motor	
23	452920100		1	Wall support	

FLO N 24 - 30



Brand :Airwell Model : ST FLO 24 N ESF / R410

Product Number : 7SP022338

Internal number : 4365

Version : Heat pump 230/1/50

Spare parts list used

Loc	Spare parts code	Replaced by	Qty	Description	Observation
4	4518113		1	Air filter assembly	
19	4518662		1	Bearing assembly	
21	453053800		1	Bottom assy	
10	4518664		1	Condensate drain pipe	
16	452918500		1	Deflector link rod A	
16	452918600		1	Deflector link rod B	
18	452953000		1	Deflector support C	
2	453049500		1	Display assembly	
35	453051000		1	Electronic unit	
36	4524963		1	Electrostatic filter	
9	453260400		1	Evaporator	
25	453024500		1	Fan motor	
27	452918800		1	Fan motor support	
3	452919800		2	Filter	
5	453054000		1	Front panel	
30	453057900		1	Gear box assy	
1	452917400		1	Grill	
28	452760600	452760600R	1	Infrared Remote control (RC4 HL)	
28	453042500	453042500R	1	Infrared Remote control RC4-I-1	"Ioniser function"
8	467480001		1	Ionizer	
6	4526946		1	Lens (display)	
13	452918700		1	Louver support	
15	452917600		1	Lower louver	
29	453050300		1	Lower step motor	
26	4518651		1	Motor flange	
11	453053900		1	Motorized air diffuser assembly	
24	452919400		1	Pipes clamp	
33	453232400		1	Power cord plug	
7	452919600		3	Screw cover	
22	4518657		1	Tubes lock	
20	453024900		1	Turbine	
14	452917500		1	Upper louver	
12	453050200		1	Upper step motor	
17	452930700		12	Vertical louver A	

Brand :Airwell Model : ST FLO 24 N ESF / R410

Product Number : 7SP022338

Internal number : 4365

Version : Heat pump 230/1/50

Spare parts list used

Loc	Spare parts code	Replaced by	Qty	Description	Observation
17	452918200		2	Vertical louver B	
18	452918300		1	Vertical louver support A	
18	452918400		2	Vertical louver support B	
23	452920100		1	Wall support	
37	452919500		1	Wire cover	

Brand :Airwell Model : ST FLO 30 N ESF / R410

Product Number : 7SP022196

Internal number : 3603

Version : Cooling only 230/1/50

Spare parts list used

Loc	Spare parts code	Replaced by	Qty	Description	Observation
10	4525612		1	Air diffuser assembly	
4	4518113		1	Air filter assembly	
3	4523303		2	Attachment	
28	231219		1	Battery probe length 320mm (black)	
7	4523302		4	Clamp	
13	4518664		1	Condensate drain pipe	
30	4519815		1	Condenser probe	
37	4520416		1	Defrost cable	
9	4525112		1	Display assembly	
39	4525831		1	Duct	
31	4525110		1	Electronic unit (916-255-30)	
34	4524963		1	Electrostatic filter	
8	452833700		1	Evaporator	
33	94516263	4516263	1	Evaporator probe support	
21	4524953		1	Fan motor	
23	4523312		1	Fan motor cover	
20	4523311		1	Fan motor housing	
12	4524965		1	Fan wire A	
26	4524966		1	Fan wire B	
5	4525610		1	Front frame	
1	4525902		1	Grill	
19	453042500	453042500R	1	Infrared Remote control RC4-I-1	
41	433133		1	Ionizer	
44	433134		1	Ionizer power	
43	4524967		1	Ionizer cable A	
45	4526201		1	Ionizer cable B	
42	4523307		1	Ionizer cable cover	
2	4523299		1	Left filter	
18	4523309		1	Pipes cover	
14	4516204		1	Plastic bearing+rubber support assembly	
38	4525113		1	Power cord plug	
16	4525611		1	Rear panel assy	
36	4523300		1	Right filter	
29	4519813		1	Room temperature probe (lg 320mmm)	

Brand :Airwell Model : ST FLO 30 N ESF / R410

Product Number : 7SP022196

Internal number : 3603

Version : Cooling only 230/1/50

Spare parts list used

Loc	Spare parts code	Replaced by	Qty	Description	Observation
6	4523301		3	Screw cover	
25	4524961		1	Step motor A	
11	4524962		2	Step motor B	
15	4524954		1	Turbine	
17	4523372		1	Wall support	
22	4523313		1	Water ejection protector	
35	4523304		1	Wire cover	

Brand :Airwell Model : ST FLO 30 N / R410

Product Number : 7SP022195

Internal number : 3604

Version : Cooling only 230/1/50

Spare parts list used

Loc	Spare parts code	Replaced by	Qty	Description	Observation
10	4525612		1	Air diffuser assembly	
4	4518113		1	Air filter assembly	
3	4523303		2	Attachment	
28	231219		1	Battery probe length 320mm (black)	
7	4523302		4	Clamp	
13	4518664		1	Condensate drain pipe	
30	4519815		1	Condenser probe	
37	4520416		1	Defrost cable	
9	4525112		1	Display assembly	
39	4525831		1	Duct	
31	4525110		1	Electronic unit (916-255-30)	
8	452833700		1	Evaporator	
33	94516263	4516263	1	Evaporator probe support	
21	4524953		1	Fan motor	
23	4523312		1	Fan motor cover	
20	4523311		1	Fan motor housing	
12	4524965		1	Fan wire A	
26	4524966		1	Fan wire B	
5	4525610		1	Front frame	
1	4525902		1	Grill	
19	453042500	453042500R	1	Infrared Remote control RC4-I-1	
42	4523307		1	Ionizer cable cover	
2	4523299		1	Left filter	
18	4523309		1	Pipes cover	
14	4516204		1	Plastic bearing+rubber support assembly	
38	4525113		1	Power cord plug	
16	4525611		1	Rear panel assy	
40	453114800		1	Restrictor kit	
36	4523300		1	Right filter	
29	4519813		1	Room temperature probe (lg 320mmm)	
6	4523301		3	Screw cover	
25	4524961		1	Step motor A	
11	4524962		2	Step motor B	
15	4524954		1	Turbine	

Brand :Airwell Model : ST FLO 30 N / R410

Product Number : 7SP022195

Internal number : 3604

Version : Cooling only 230/1/50

Spare parts list used

Loc	Spare parts code	Replaced by	Qty	Description	Observation
17	4523372		1	Wall support	
22	4523313		1	Water ejection protector	
35	4523304		1	Wire cover	

Brand :Airwell Model : ST FLO 36 N ESF / R410

Product Number : 7SP022370

Internal number : 4367

Version : Cooling only 230/1/50

Spare parts list used

Loc	Spare parts code	Replaced by	Qty	Description	Observation
3	4523303		2	Attache	
31	467300015		1	Boitier électronique	
20	4523311		1	Boitier moteur ventil	
12	4524965		1	Cable moteur A	
26	4524966		1	Cable moteur B	
37	4520416		1	Cable sonde dégivrage	
42	4523307		1	Cache cable ioniser	
18	4523309		1	Cache-tubes	
6	4523301		3	Cache-vis	
5	4525610		1	Cadre de façade	
7	4523302		4	Collier	
44	467430000		1	Condensateur ioniser	
38	4525113		1	Cordon d'alimentation	
23	4523312		1	Couvercle boitier moteur ventil	
35	4523304		1	Couvercle cablage	
10	4525612		1	Ens. diffuseur d'air	
4	4518113		1	Ens. filtre à air	
14	4516204		1	Ens. palier plastic+support caoutchouc	
16	4525611		1	Ens. panneau arrière	
9	4525112		1	Ens. visuel (display)	
8	470680001		1	Evaporateur	
43	4524967		1	Faisceau ioniseur A	
45	4526201		1	Faisceau ioniseur B	
36	4523300		1	Filtre droit	
34	4524963		1	Filtre électrostatique	
2	4523299		1	Filtre gauche	
39	4525831		1	Gaine	
1	4525902		1	Grille	
41	467480001		1	Ioniser	
25	4524961		1	Moteur défecteur A	
11	4524962		2	Moteur défecteur B	
21	4524953		1	Moteur ventil	
22	4523313		1	Protecteur projection d'eau	
29	4519813		1	Sonde ambiance (lg 320mm)	

Brand :Airwell Model : ST FLO 36 N ESF / R410

Product Number : 7SP022370

Internal number : 4367

Version : Cooling only 230/1/50

Spare parts list used

Loc	Spare parts code	Replaced by	Qty	Description	Observation
28	438082	231219	1	Sonde batterie lg 320mm (noire)	
30	4519815		1	Sonde condenseur	
17	4523372		1	Support mural	
33	4516263		1	Support sonde évaporateur	
19	453042500	453042500R	1	Télécdé RC4-I-1	
13	4518664		1	Tube évacuation condensats	
15	4524954		1	Turbine	