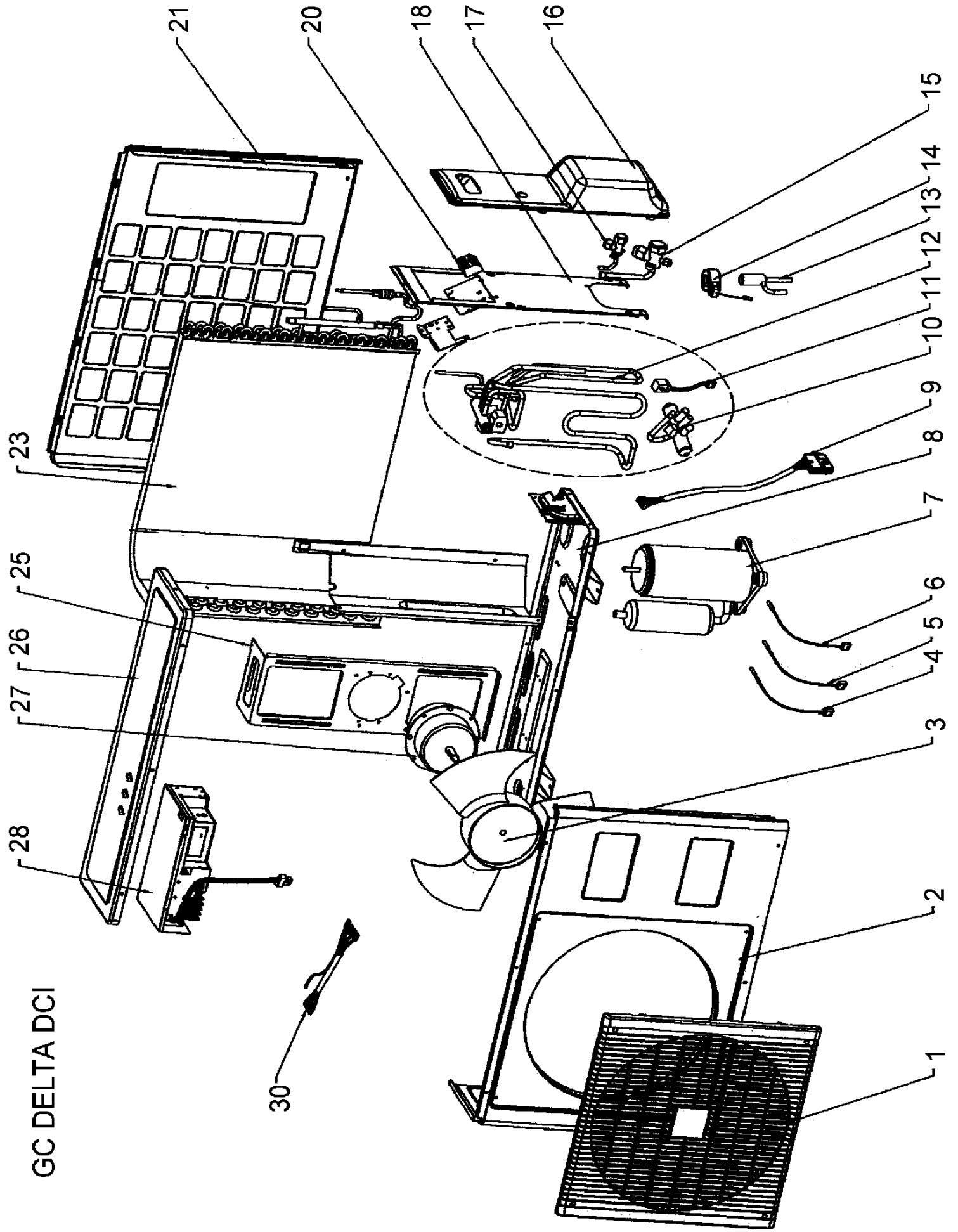


GC DELTA DCI



**Brand :Airwell Model : GC 7 RC DCI / R410**

Product Number : 7SP061617

Internal number : 4258

Version : Heat pump 230/1/50

**Spare parts list used**

Loc	Spare parts code	Replaced by	Qty	Description	Observation
6	4526776		1	Battery probe	
8	453052500		1	Bottom	
14	4526216		1	Coil 12-HR-01A-R	
11	4522509		1	Coil reversing valve	
7	453170100		1	Compressor Matsushita 5	
9	4526221		1	Compressor wiring	
23	453048000		1	Condenser	
28	453031000		1	Deicing module	
30	453129300		1	Deicing module wires	
16	4516857		1	Electrical box panel	
18	464630000		1	Electrical panel	
13	453026600		1	Electronic valve	
27	453031300		1	Fan motor 20W	
25	323156		1	Fan motor support	
2	4523441		1	Front panel	
17	453046900		1	Gas valve HP	
1	4522551		1	Grill	
4	453238900		1	Outdoor air probe	
3	4519251		1	Propeller	
21	4516156		1	Rear panel	
10	4518951		1	Reversing valve SHF-4H	
12	453058600		1	Reversing valve+tubing	
20	4519188		1	Terminal strip 4 terminals	
5	4526775		1	Thermistor compressor	
26	4516158		1	Top panel	
15	453047000		1	Valve LP	

**Brand :Airwell Model : GC 9 RC DCI / R410**

Product Number : 7SP061618

Internal number : 4257

Version : Heat pump 230/1/50

**Spare parts list used**

Loc	Spare parts code	Replaced by	Qty	Description	Observation
6	4526776		1	Battery probe	
8	453052500		1	Bottom	
14	4526216		1	Coil 12-HR-01A-R	
11	4522509		1	Coil reversing valve	
7	453170100		1	Compressor Matsushita 5	
9	4526221		1	Compressor wiring	
23	453048200		1	Condenser	
28	453031000		1	Deicing module	
30	453129300		1	Deicing module wires	
16	4516857		1	Electrical box panel	
18	464630000		1	Electrical panel	
13	453026600		1	Electronic valve	
27	453031300		1	Fan motor 20W	
25	323156		1	Fan motor support	
2	4523441		1	Front panel	
17	453046900		1	Gas valve HP	
1	4522551		1	Grill	
4	453238900		1	Outdoor air probe	
3	4519251		1	Propeller	
21	4516156		1	Rear panel	
10	4518951		1	Reversing valve SHF-4H	
12	453058700		1	Reversing valve+tubing	
20	4519188		1	Terminal strip 4 terminals	
5	4526775		1	Thermistor compressor	
26	4516158		1	Top panel	
15	453047000		1	Valve LP	

**Brand :Airwell Model : GC 12 RC DCI / R410**

Product Number : 7SP061619

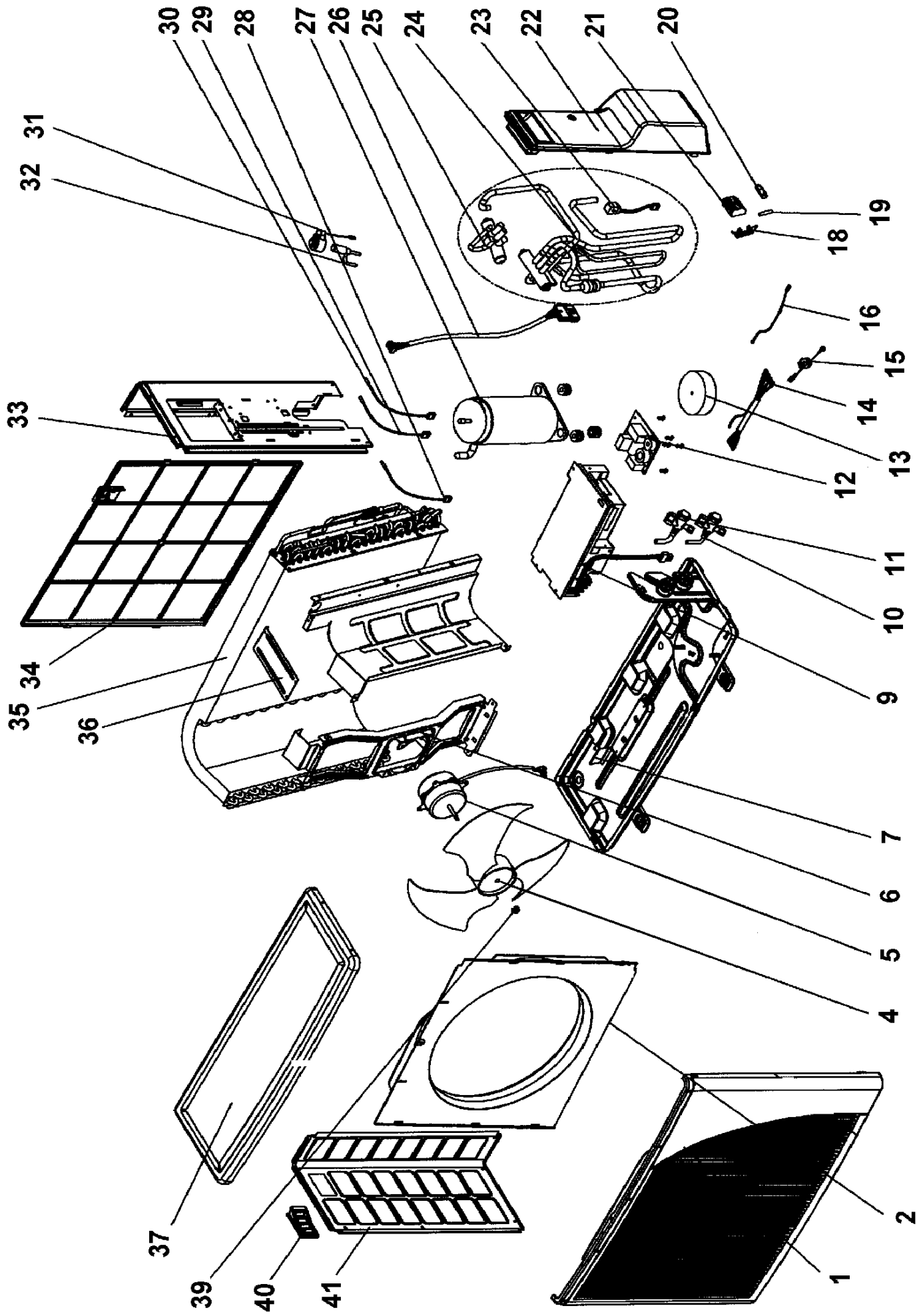
Internal number : 4256

Version : Heat pump 230/1/50

**Spare parts list used**

Loc	Spare parts code	Replaced by	Qty	Description	Observation
6	4526776		1	Battery probe	
8	453052500		1	Bottom	
14	4526216		1	Coil 12-HR-01A-R	
11	4522509		1	Coil reversing valve	
7	4526204		1	Compressor Matsushita 5RS102XAB	
9	4526221		1	Compressor wiring	
23	453048400		1	Condenser	
28	453031000		1	Deicing module	
30	453129300		1	Deicing module wires	
16	4516857		1	Electrical box panel	
18	464630000		1	Electrical panel	
13	453026600		1	Electronic valve	
27	453031200		1	Fan motor 27W	
25	323156		1	Fan motor support	
2	4523441		1	Front panel	
17	453046900		1	Gas valve HP	
1	4522551		1	Grill	
4	453238900		1	Outdoor air probe	
3	4519251		1	Propeller	
21	4516156		1	Rear panel	
10	4518951		1	Reversing valve SHF-4H	
12	453058800		1	Reversing valve+tubing	
20	4519188		1	Terminal strip 4 terminals	
5	4526775		1	Thermistor compressor	
26	4516158		1	Top panel	
15	453047000		1	Valve LP	

# GC 18 RC WDI



**Brand :Airwell Model : GC 18 RC WDI / R410**

Product Number : 7SP061620

Internal number : 4358

Version : Heat pump 230/1/50

**Spare parts list used**

Loc	Spare parts code	Replaced by	Qty	Description	Observation
14	4526223		1	AC-IN wire	
2	4526340		1	Baffle	
30	4526776		1	Battery probe	
7	4527363		1	Bottom	
20	204107		1	Cable clamp	
13	4526396	4526396R	1	Choke assy 167-021-01	
32	4526216		1	Coil 12-HR-01A-R	
23	4522509		1	Coil reversing valve	
27	4523446		1	Compressor DC Inverter 5CS13	
26	4526221		1	Compressor wiring	
35	470660008		1	Condenser	
15	4526968		1	Earthing wire with magnetic ring	
31	4526215		1	Electronic valve	
12	467300024		1	EMI filter board	
5	4526475		1	Fan motor 40W	
1	433218		1	Front panel	
19	4526533		1	Fuse 6C / 20A-250V	
16	4526222		1	Fuse connected wire	
18	4526220		1	Fuse support JEF-511B	
10	4524595		1	Gas valve 1/2"	
40	433225		1	Handle	
36	4526298		1	Leg motor support	
41	4519607		1	LH panel	
11	4526301		1	Liquid valve	
6	433215		1	Motor support	
29	4526774		1	Outdoor air probe	
9	453030500	453030500R	1	Outdoor controler	
39	4519300		1	Propeller attachment Nut	
4	4526476		1	Propeller d=401mm	
34	433228		1	Rear grill	
25	4518952		1	Reversing valve	
33	4519606		1	RH panel	
21	4519188		1	Terminal strip 4 terminals	
28	4526775		1	Thermistor compressor	

**Brand :Airwell Model : GC 18 RC WDI / R410**

Product Number : 7SP061620

Internal number : 4358

Version : Heat pump 230/1/50

**Spare parts list used**

<b>Loc</b>	<b>Spare parts code</b>	<b>Replaced by</b>	<b>Qty</b>	<b>Description</b>	<b>Observation</b>
37	4519614		1	Top panel	
24	461600003		1	Tubing+reversing valve assy	
22	433229		1	Valve cover	