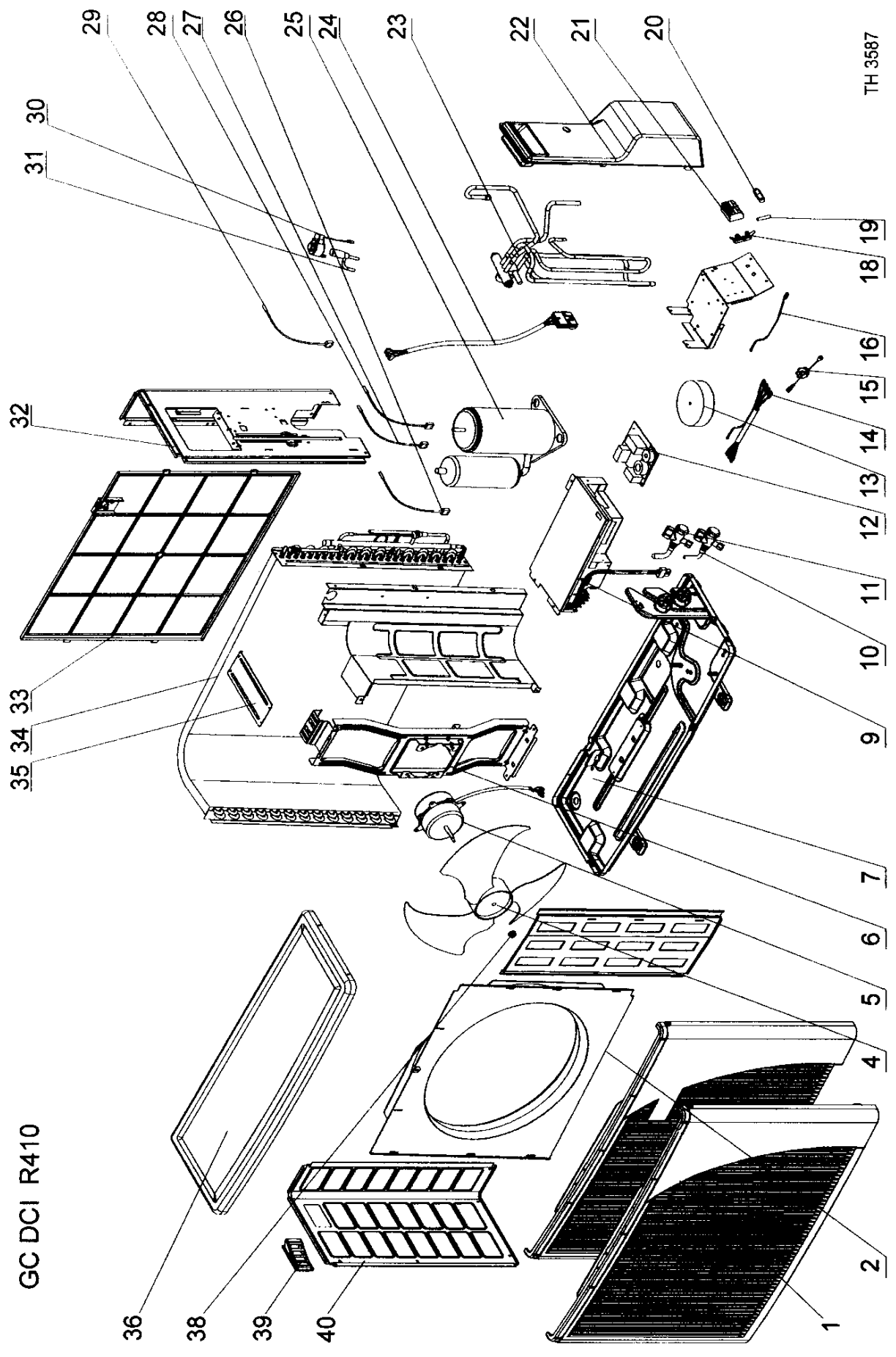


GC DCI R410



Brand :Airwell Model : GC 9 DC INV / R410

Product Number : 7SP061420

Internal number : 3629

Version : Heat pump 230/1/50

Spare parts list used

Loc	Spare parts code	Replaced by	Qty	Description	Observation
14	4526223		1	AC-IN wire	
2	4526340		1	Baffle	
28	4526776		1	Battery probe	
7	4523060		1	Bottom	
20	204107		1	Cable clamp	
13	4526396	4526396R	1	Choke assy 167-021-01	
30	452682802		1	Coil solenoid valve	
25	4526204		1	Compressor Matsushita 5RS102XAB	
24	4526221		1	Compressor wiring	
34	4526368		1	Condenser	
15	4526968		1	Earthing wire with magnetic ring	
12	4526224		1	EMI filter board	
5	4527092		1	Fan motor	
1	433218		1	Front panel	
19	4526219	4526219R	1	Fuse 6C / 15A-230V	
16	4526222		1	Fuse connected wire	
18	4526220		1	Fuse support JEF-511B	
10	4524177		1	Gas valve 3/8"	
39	433225		1	Handle	
35	4526298		1	Leg motor support	
40	4519607		1	LH panel	
11	4524176		1	Liquid valve 1/4"	
6	433215		1	Motor support	
27	4526774		1	Outdoor air probe	
9	4526403	4526403R	1	Outdoor controler	
38	4519300		1	Propeller attachment Nut	
4	4526476		1	Propeller d=401mm	
33	433228		1	Rear grill	
23	4526367		1	Reversing valve+tubing	
32	4519606		1	RH panel	
31	4526827		1	Solenoid valve	
29	4526969		1	Suction tube thermistor	
21	4519188		1	Terminal strip 4 terminals	
26	4526775		1	Thermistor compressor	

Brand :Airwell Model : GC 9 DC INV / R410

Product Number : 7SP061420

Internal number : 3629

Version : Heat pump 230/1/50

Spare parts list used

Loc	Spare parts code	Replaced by	Qty	Description	Observation
36	4519614		1	Top panel	
22	433229		1	Valve cover	

Brand :Airwell Model : GC 12 DC INV / R410

Product Number : 7SP061421

Internal number : 3630

Version : Heat pump 230/1/50

Spare parts list used

Loc	Spare parts code	Replaced by	Qty	Description	Observation
14	4526223		1	AC-IN wire	
2	4526340		1	Baffle	
28	4526776		1	Battery probe	
7	4523060		1	Bottom	
20	204107		1	Cable clamp	
13	4526396	4526396R	1	Choke assy 167-021-01	
30	452682802		1	Coil solenoid valve	
25	4526204		1	Compressor Matsushita 5RS102XAB	
24	4526221		1	Compressor wiring	
34	4526368		1	Condenser	
15	4526968		1	Earthing wire with magnetic ring	
12	4526224		1	EMI filter board	
5	4527092		1	Fan motor	
1	433218		1	Front panel	
19	4526219	4526219R	1	Fuse 6C / 15A-230V	
16	4526222		1	Fuse connected wire	
18	4526220		1	Fuse support JEF-511B	
10	4524177		1	Gas valve 3/8"	
39	433225		1	Handle	
35	4526298		1	Leg motor support	
40	4519607		1	LH panel	
11	4524176		1	Liquid valve 1/4"	
6	433215		1	Motor support	
27	4526774		1	Outdoor air probe	
9	4526403	4526403R	1	Outdoor controler	
38	4519300		1	Propeller attachment Nut	
4	4526476		1	Propeller d=401mm	
33	433228		1	Rear grill	
23	4526393		1	Reversing valve+tubing	
32	4519606		1	RH panel	
31	4526827		1	Solenoid valve	
29	4526969		1	Suction tube thermistor	
21	4519188		1	Terminal strip 4 terminals	
26	4526775		1	Thermistor compressor	

Brand :Airwell Model : GC 12 DC INV / R410

Product Number : 7SP061421

Internal number : 3630

Version : Heat pump 230/1/50

Spare parts list used

Loc	Spare parts code	Replaced by	Qty	Description	Observation
36	4519614		1	Top panel	
22	433229		1	Valve cover	

Brand :Airwell Model : GC 18 DCI / R410

Product Number : 7SP061422

Internal number : 3631

Version : Heat pump 230/1/50

Spare parts list used

Loc	Spare parts code	Replaced by	Qty	Description	Observation
14	4526223		1	AC-IN wire	
2	4526340		1	Baffle	
28	4526776		1	Battery probe	
7	4527363		1	Bottom	
20	204107		1	Cable clamp	
13	4526396	4526396R	1	Choke assy 167-021-01	
30	4526216		1	Coil 12-HR-01A-R	
25	4523446		1	Compressor DC Inverter 5CS13	
24	4526221		1	Compressor wiring	
34	4526459		1	Condenser	
15	4526968		1	Earthing wire with magnetic ring	
31	4526215		1	Electronic valve	
12	4526224		1	EMI filter board	
5	4527092		1	Fan motor	
1	433218		1	Front panel	
19	4526533		1	Fuse 6C / 20A-250V	
16	4526222		1	Fuse connected wire	
18	4526220		1	Fuse support JEF-511B	
10	4524595		1	Gas valve 1/2"	
39	433225		1	Handle	
35	4526298		1	Leg motor support	
40	4519607		1	LH panel	
11	4524176		1	Liquid valve 1/4"	
6	433215		1	Motor support	
27	4526774		1	Outdoor air probe	
9	4526203		1	Outdoor controler	
38	4519300		1	Propeller attachment Nut	
4	4526476		1	Propeller d=401mm	
33	433228		1	Rear grill	
23	4527327		1	Reversing valve+tubing	
32	4519606		1	RH panel	
29	4526969		1	Suction tube thermistor	
21	4519188		1	Terminal strip 4 terminals	
26	4526775		1	Thermistor compressor	

Brand :Airwell Model : GC 18 DCI / R410

Product Number : 7SP061422

Internal number : 3631

Version : Heat pump 230/1/50

Spare parts list used

Loc	Spare parts code	Replaced by	Qty	Description	Observation
36	4519614		1	Top panel	
22	433229		1	Valve cover	

Brand :Airwell Model : GC 24 DCI Z / R410

Product Number : 7SP061677

Internal number : 4629

Version : Heat pump 230/1/50

Spare parts list used

Loc	Spare parts code	Replaced by	Qty	Description	Observation
27	467420003		1	7 poles terminal block	
32	453175500		1	Back grille	
14	452809900		1	Bottom assy	
26	204107		2	Cable clamp	
34	4526396R		1	Chock ass'y 167-021-01	
30	4526216		1	Coil 12-HR-01A-R	
6	4522509		1	Coil reversing valve	
15	460080000R		1	Compressor ass'y Sanyo C-7RVN153H0W	
10	4523653		1	Compressor panel	
31	462300002		1	Condenser	
13	452677601		1	Condenser probe	
24	4518950		1	Dryer filter BFK-053S	
39	452841100		3	Earth wire	
43	467300114R		1	Electronic filter board	
29	4526215		1	Electronic valve	
8	466130002R		1	Fan motor SIC-71FW-F170-3	
1	465100000		1	Front grill	
2	4523652		1	Front LH panel	
20	4526513		1	Gas valve	
42	4522600		1	Left handle	
21	4526514		1	Liquid valve	
17	452783200		1	Liquid-gas separator	
3	4523758		1	Nut M8	
16	452783600		1	Oil separator cylinder	
40	453238900		1	Outdoor air probe	
33	453083800		1	Outdoor air probe support	
36	467300082R		1	Outdoor controller	
4	452960400		1	Propeller	
7	4526522		1	Reversing valve	
5	461600023		1	Reversing valve ass'y	
9	4522601		1	Right handle	
22	4523654		1	Right side panel	
12	452956500		1	Suction thermistor	
11	4526775		1	Thermistor compressor	

Brand :Airwell Model : GC 24 DCI Z / R410

Product Number : 7SP061677

Internal number : 4629

Version : Heat pump 230/1/50

Spare parts list used

Loc	Spare parts code	Replaced by	Qty	Description	Observation
41	4523657		1	Top panel	
23	4522602		1	valve cover	
19	4526080		1	Valve support	