

Installation and maintenance manual
Manuel d'installation et de maintenance
Installations- und Wartungshandbuch
Manuale di installazione e di manutenzione
Manual de instalación y de mantenimiento

Aqu@Scop Advance Split DCI



English

Français

Deutsch

Italiano

Español

Remote control for one heating circuit
Commande à distance pour un circuit de chauffage
Kabelfernbedienung für einen Heizkreis
Comando a distanza per un circuito di riscaldamento
Mando a distancia para un circuito de calefacción

IOM AQHAS 02-N-2GB

Part number / Code / Teil Nummer / Codice / Código : **3990650GB**

Supersedes / Annule et remplace / Annulliert und ersetzt /

Annulla e sostituisce / Anula y sustituye : **IOM AQHAS 02-N-1GB**



INSTALLATION INSTRUCTION

NOTICE D'INSTALLATION

INSTALLATIONSHANDBUCH

ISTRUZIONI INSTALLAZIONE

INSTRUCCIONES DE INSTALACIÓN

English

Français

Deutsch

Italiano

Español

CONTENTS

1. SAFETY INSTRUCTIONS	3
2. INSTALLATION LOCATION.....	3
3. INSTALLING AND CONNECTING THE ROOM TERMINAL.....	4
3.1. CONNECTING SEVERAL REMOTE CONTROL UNITS.....	5
3.2. ADJUSTING THE DIP SWITCHES	6
3.3. CONNECTING THE REMOTE CONTROL.....	6
3.4. OPENING THE REMOTE CONTROL UNIT.....	6
4. CHANGING THE SETTING RANGE FOR THE STANDARD SET ROOM TEMPERATURE	7
5. SPECIFICATION	7



POWER SUPPLY MUST BE SWITCHED OFF BEFORE STARTING WORK IN THE ELECTRIC CONTROL BOX

1. SAFETY INSTRUCTIONS



Please follow these safety instructions closely to prevent accidents and material losses.

Safety instructions explained



Please note

This symbol warns against the risk of material losses and environmental pollution.

Note

Details identified by the word "Note" contain additional information.

Installation, initial start-up, inspection, maintenance and repairs must only be carried out by a competent person (heating engineer/installation contractor).

Before working on the equipment/heating system, isolate the power supply (e.g. by removing a separate mains fuse or by means of a mains isolator) and safeguard against unauthorised reconnection.

When using gas as fuel, also close the main gas shut-off valve and safeguard against unauthorised reopening.

Repairing components which fulfil a safety function can compromise the safe operation of your heating system.

For replacements, use only original spare parts supplied or approved by Airwell.

2. INSTALLATION LOCATION

Weather-compensated mode

Installation in any room.

Operation with room temperature dependent control

- On an internal wall in the living space, at a height of approx. 1.5m from the floor
- Not near windows and doors
- Not above radiators
- Not near heat sources (direct sunlight, fireplace, TV set etc.)

3. INSTALLING AND CONNECTING THE ROOM TERMINAL



Please note

Electronic modules can be damaged by electrostatic discharges.



Prior to commencing any work, touch earthed objects, such as heating or water pipes to discharge static loads.

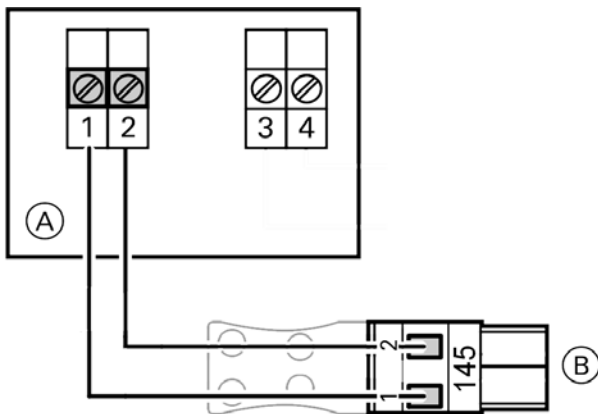
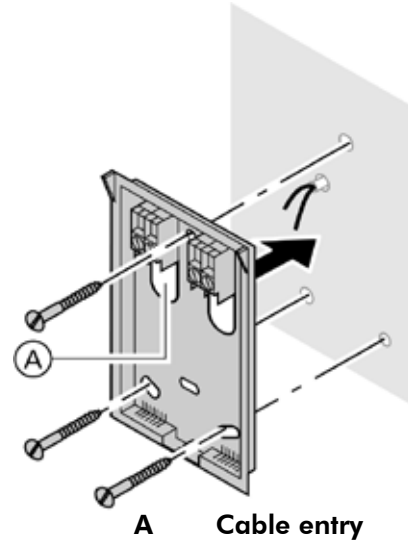
When drilling, watch out for hidden cableways.

Connection

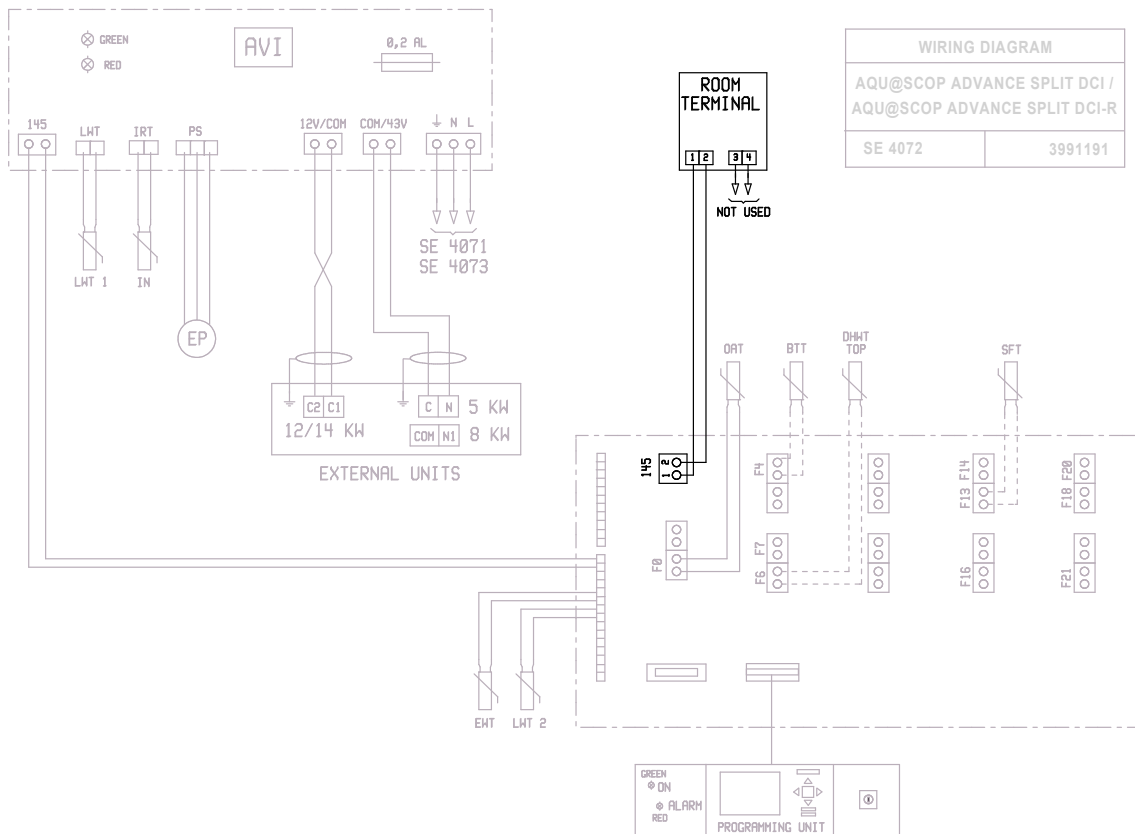
Two-core cable with a cross-section of at least 0.75mm
 cable length up to 50m

Note

Never route the cable to the remote control immediately next to 230/400V cables.

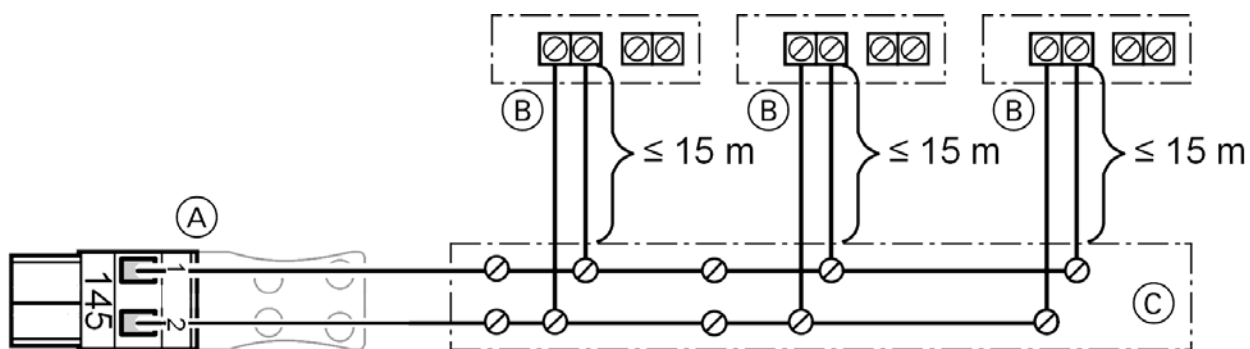


- A** Wall mounting base for the remote control
- B** to the KM BUS distributor Purple connector on the IDU of the heat pump.



3.1. CONNECTING SEVERAL REMOTE CONTROL UNITS

Version 1

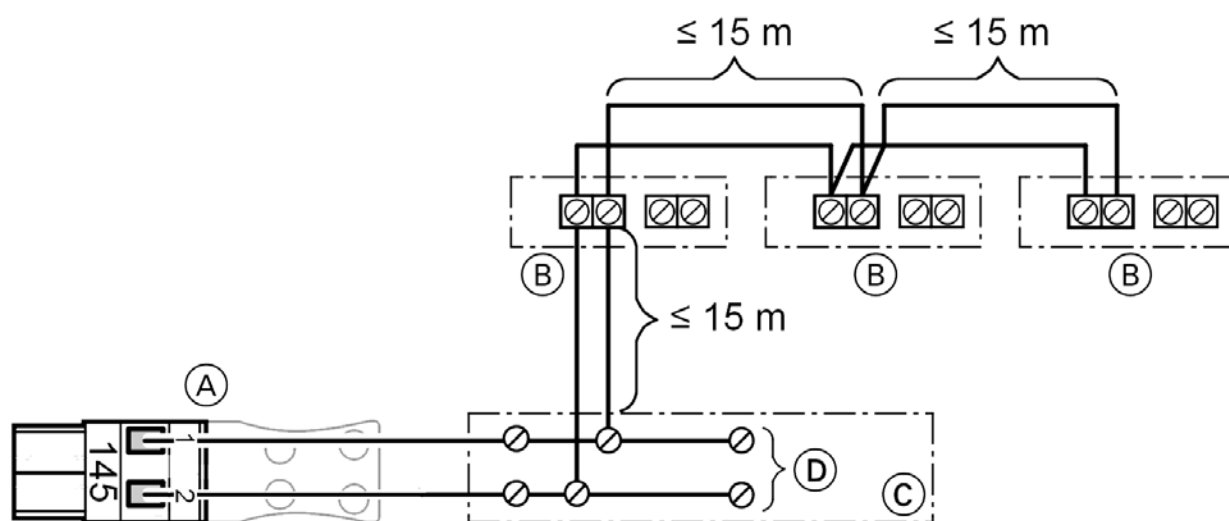


- A** To the control unit or to the KM BUS distributor
- B** Rom terminal
- C** Socket (on site)

On-site connection via socket: Connect in accordance with the diagram.

Limit the total length of all KM BUS cables to 50m.

Version 2

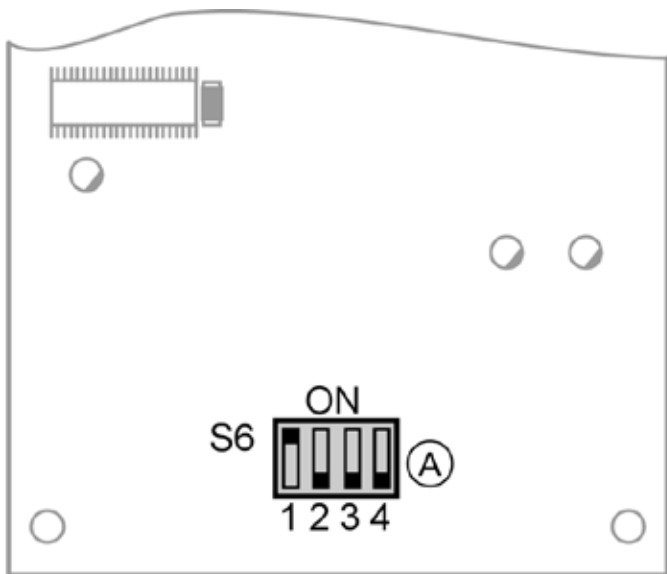


- A** To the control unit of the IDU
- B** Rom terminal
- C** Socket (on site)
- D** Further BUS subscribers

If several remote control units and additional BUS subscribers are connected, make the connections via a socket (on site) as shown in the diagram.

Limit the total length of all KM BUS cables to 50m.

3.2. ADJUSTING THE DIP SWITCHES



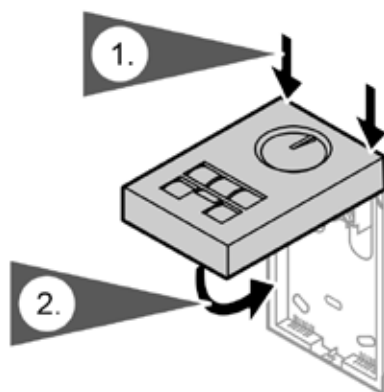
A PCB DIP switches (back of the casing top)

Remote control	DIP switch setting
Remote control affects heating circuit A1/M1, for the Aqu@Scop Advance Split DCI, heating circuit without mixer	Delivered condition ON 1 2 3 4
Remote control affects heating circuit M2, for the Aqu@Scop Advance Split DCI, heating circuit with mixer	ON 1 2 3 4
Remote control affects heating circuit M3	ON 1 2 3 4
When connecting a separate room temperature sensor, also set DIP switch "S6.3" to "ON"	ON 1 2 3 4

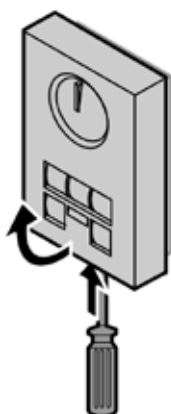
3.3. CONNECTING THE REMOTE CONTROL

Note

Observe correct plug-in connector (lightly press down).



3.4. OPENING THE REMOTE CONTROL UNIT



4. CHANGING THE SETTING RANGE FOR THE STANDARD SET ROOM TEMPERATURE

Delivered condition:

- 10°C to 30°C

Changeover to

- 3°C to 23°C
- 17°C to 37°C

5. SPECIFICATION

Power supply via KM BUS.

Power consumption 0.2W

Protection class III

Protection IP30

Permiss. ambient temperature

- during operation 0°C to +40°C
- during storage and transport -20°C to +65°C

Setting range for standard set room temp.

10°C to 30°C; adjustable to 3°C to 23°C or 17°C to 37°C via coding address "E1"

Adjustment of the reduced set room temperature at the control unit

AIRWELL INDUSTRIE FRANCE

Route de Verneuil
27570 Tillières-sur-Avre
FRANCE

☎ : +33 (0)2 32 60 61 00

☎ : +33 (0)2 32 32 55 13



As part of our ongoing product improvement programme, our products are subject to change without prior notice. Non contractual photos.

Dans un souci d'amélioration constante, nos produits peuvent être modifiés sans préavis. Photos non contractuelles.

In dem Bemühen um ständige Verbesserung können unsere Erzeugnisse ohne vorherige Ankündigung geändert werden. Fotos nicht vertraglich bindend.

A causa della politica di continua miglioria posta in atto dal costruttore, questi prodotti sono soggetti a modifiche senza alcun obbligo di preavviso. Le foto pubblicate non danno luogo ad alcun vincolo contrattuale.

Con objeto de mejorar constantemente, nuestros productos pueden ser modificados sin previo aviso. Fotos no contractuales.

