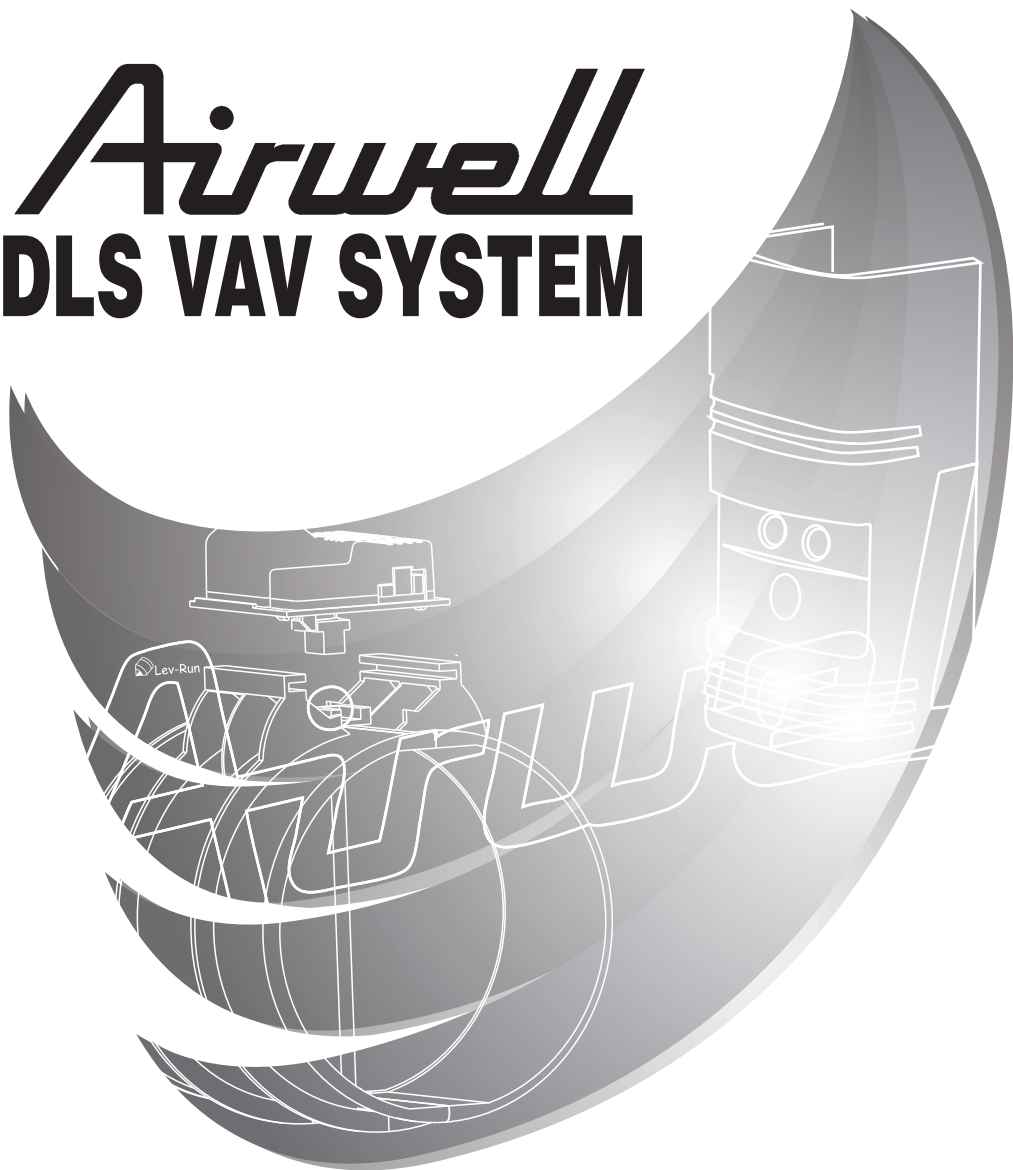


Airwell DLS VAV SYSTEM



**Installation and Operation
Instructions
VAV SYSTEM**

Index:

1. Safety Instruction	3
2. Warnings	3
3. Electrical Connections	4
4. Infra Red Receiver unit.	6
5. Display mounting on the wall.	6
6. Handheld remote control Location Consideration	6
7. Cables Connection between damper motors and VAV SYSTEM controller	7
8. Damper Size definition and use of channels #1 and #2	7
9. Cables Connection between air condition Displays and VAV SYSTEM controller 8	
10. Connection Cable between VAV SYSTEM controller and air condition.	9
11. Bypass connection and working profiles	10
12. Operation When Zone Controller is NOT connected to the Air condition.	11
13. Connection Wire Operated Remote control (RCW).	12
14. System block diagrams	13
15. Troubleshooting	15
16. System Elements part Numbers	16
17. Operation Instruction for Air condition with zone control system	17
18. Operation with the remote control	19
19. Define individual ID code to each Remote control	20
20. Operating the system.	21

VAV SYSTEM - System Installation Instruction

Required tools

1. Screw driver.
2. Hand Drill.
3. 6 mm Drill bit.

Attention

Do not install the system in laundry room or bathroom, where condensation may drip from the ceiling.

Safety Instruction

- Pay attention to the warning symbols in the document.
- Verify that the Air condition unit to be controlled by the VAV system, is installed and ready for operation.
- The installation of the system must be in accordance with the local regulations and all applicable codes.
- It is the responsibility of the installing contractor to determine and comply with all applicable codes and regulations.
- The installer must be an experienced service technician, trained in the installation of this type of equipment.

Warnings

- To prevent electrical shock or equipment damage, disconnect power supply before installing and maintaining the system.
- The installer must be an experienced service technician trained in the installation of this type of equipment.
- Before start-up, read all safety instruction in this manual and become familiar with the system and its operation.
- Unprofessional installation may create electrical short and operation problems.
- Be sure to connect the VAC control box main power cord 230 VAC to the 230 VAC terminal connections at the air condition unit.
(Be careful when 3 Phase units are in use. Must connect between Phase and Neutral).
- Use of power line or electrical socket which are not made for this kind of installation, may create electrical short and fire. In any question or clarification, please follow the instruction in this document.
- Do not use damaged power line cord, cable which is made from few cable segments or if it's connected to an extension cable.
- Be careful to close the metal cover of the VAV controller.
- Don't install the system in an area where there may be gas leakage.

- All system elements are for use only inside the building.
- If the power cable cord is damaged – replacement must be done by the factory technician only.

Electrical Connections

General instructions:

Use the power line cord connected to the VAV control box and follow the local electrical installation codes and regulations:

1. Expose the wires edges for connecting into the terminal block of the air condition.
2. Connect the power cord 3 wires into the terminals at the indoor unit.
3. Conjoint the power cord cable to the main supply power line cable with tie-wraps.

Warning! Do not extend the power cord or any other cables in the system.

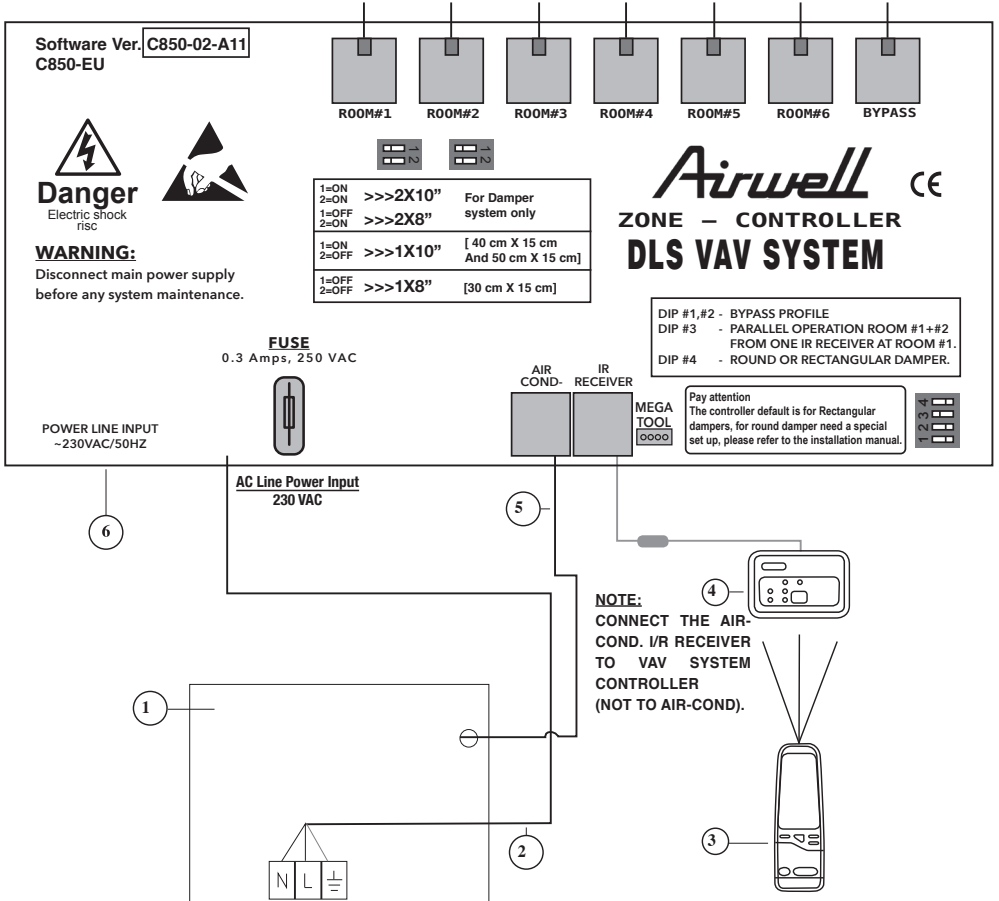
Select the proper electrical drawing per the air condition type.

The controller must be connected only per the electrical drawing of the installed air condition unit.

Warnings!

- System must be installed per the instruction in this document.
- In case system elements will be used not according to the instruction written in this document, warranty will be not valid.
- Unprofessional installation and/or damage to the system elements will cancel any warranty.
- No field repair allowed to any system elements.
- System elements repair are not allowed.
- Repair done by unauthorized personal will cancel warranty.
- Line power operation of not standard and approved by the power company, such as operation from generator or building that was not connected by the power company will cancel warranty.

Electrical Connection Block Diagram.



1. Indoor Unit Controller.
2. Power Supply Cable.
3. Remote control.
4. Air Condition Display.
5. Connection cable between Air condition and VAV SYSTEM Controller.
6. VAV SYSTEM Controller.

Infra Red Receiver unit.



Display Location Consideration

It is recommended to mount the display near the ceiling where room temperature is normal.

Install the display to match room decoration.

The display should be mounted in sight line with the handheld remote controller.

The display should be mounted no more than 7 meters from the handheld remote controller.

Do not mount the display in location where sun light or fluorescent, halogen or other artificial light is exposed directly to the display.

The display is connected to the damper motor via communication cable type RJ11-4.

Display mounting on the wall.

Use electrical hand drill to drill one 6 mm hole in the wall for the plastic anchor.

Open the back side of the display and mark the location of the hole.

Use the screw supplied to mount the display's back on the wall.

The RJ11-4 communication cable connects the display to the damper motor. The cable is

6 meters long and is delivering the data from the display to the damper motor.

Be sure to connect well (till the end) the connector at the damper side.

Handheld remote control Location Consideration

Be careful to mount the remote control holder in sight line to the display and in no more than 7 meters between the holder and the display.

It is recommended to mount the holder on the wall only after operating the damper and do a few tests with the remote control to be sure the location selected is suitable for the infra red signals transmission between the remote control and the display.

Cables Connection between damper motors and VAV SYSTEM controller.

- The damper motor connects direct to the controller with RJ45 type cable, 3 meters long.
- Be careful to enter the plug into the socket at the motor side till the end, to enable good electrical connection.
- It is NOT allowed to extend this cable.

Damper Size definition and use of channels #1 and #2.

Near to channel #1 and #2 connectors, you will find Dip Switches which allows to select the size of the dampers and the number of dampers connected to each channel.

Dip Sw. #1 selects the size of the damper 6", 8" or 10". (160mm, 200mm, 250mm)

Dip SW. #1 OFF = 6" or 8" Damper or 30 cm x 15 cm grill.

Dip SW. #1 ON = 10" Damper or 40 cm x 15 cm / 50cm X 15cm Grills.

Dip Sw. #2 defines if one or two dampers connected to the channel.

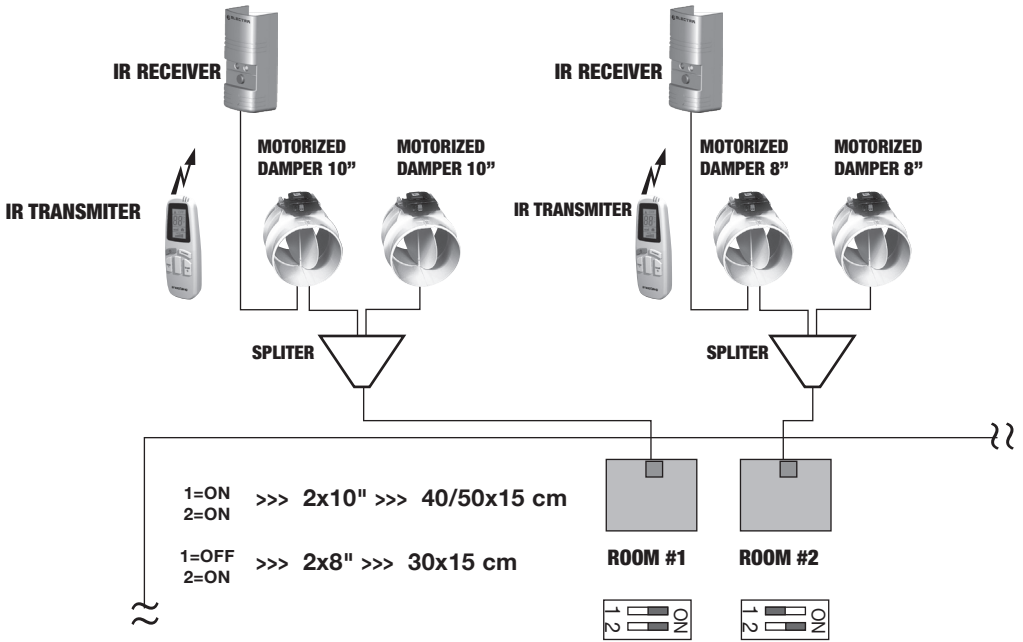
Dip SW. #2 OFF = One damper.

Dip SW. #2 ON = two dampers.

Dip SW. #2 ON not used with grills.

Channel #1 is factory set to damper size 10".

Dip Sw. #1	Dip Sw. #2	Dampers	Grills
ON	ON	2 Dampers size 10"	Not Applicable
OFF	ON	2 Dampers size 8"	Not Applicable
ON	OFF	One damper size 10"	One Grill 40 cm x15 cm or 50cm x15cm
OFF	OFF	One damper size 8"	One Grill 30 cm x15 cm



Cables Connection between air condition Displays and VAV SYSTEM controller.

The Air condition is supplied with Infra red receiver display and Connection cable 7 meters long.

This original cable is used to connect between the Air condition display and the air condition controller.

It is possible to receive two different types of connectors with the air condition unit.

- Square Type - ePAD connector.
- Round type - 8 DIN x connector.

• Air condition with Square Type - ePAD connector

Inside the VAV SYSTEM carton box you will find additional cable 7 Meters long, Use this cable between the VAV SYSTEM and the air condition display.

At the VAV SYSTEM , Plug it to the connector marked “ Display”

At the box of the VAV SYSTEM controller you will find two halves of a cylinder. (Black color) these are parts of cable filter.

Please mount the two halves cylinder on the cable between the Display of the air condition to the VAV SYSTEM controller.

The two halves cylinder should close on the round cable with the snaps on the sides.

- **Air condition with Round type - 8 DIN connector.**

This original cable is used to connect between the Air condition display and the air condition controller.

When using the Zone Control system VAV SYSTEM , this cable should be connected between the Air condition Display to the VAV SYSTEM controller. Please connect to the plug marked "Display".

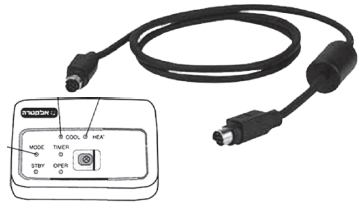
At the box of the VAV SYSTEM controller you will find two halves of a cylinder.

(Black color) these are parts of cable filter.

Please mount the two halves cylinder on the original cable between the Display of the air condition to the VAV SYSTEM controller.

The two halves cylinder should close on the round cable with the snaps on the sides.

Enter the plug with the arrow mark pointing up to the socket at the VAV SYSTEM Controller.



AIR COND. IR RECEIVER



(See connection schematic at page 5).

Connection Cable between the controller and air condition controller.

It is possible to receive two different types of connectors on this cable.

- Square Type - ePAD connector.
- Round type - 8 DIN connector.



AIR COND. IR RECEIVER



- **Square Type - ePAD connector.**

When using the Square Type ePAD connector, use the original cable of the air condition to connect between the VAV SYSTEM and the air condition controller. At the VAV SYSTEM side plug it to the connector marked "Air Condition ".

- **Round type - 8 DIN connector.**

Additional cable with round connectors type Mini 8 DIN or square connector type ePAD is provided with the system.

This cable should be connected between the VAV SYSTEM controller and the air condition controller.

At the VAV SYSTEM side, plug to the socket marked with "Air Condition".

Enter the plug with the arrow mark face up.

See connection at page 5, cable market as No. 5

Bypass connection and working profiles

The Bypass motor connects direct to the VAV SYSTEM controller to the plug marked Bypass.

There is no I/R receiver connection to the Bypass motor.

The Bypass opening profile can be selected with the two Dip Switches #1 and #2 located at the lower right side of the VAV SYSTEM controller.

Factory default setting is Dip #1 = OFF, Dip #2 = OFF.

In cases of a special installation, contact service department for the best profile selection.

Dip Switches Definition

Dip #1 – Defines Bypass profile. Normal operation = OFF.

Dip #2 - Defines Bypass profile. Normal operation = OFF.

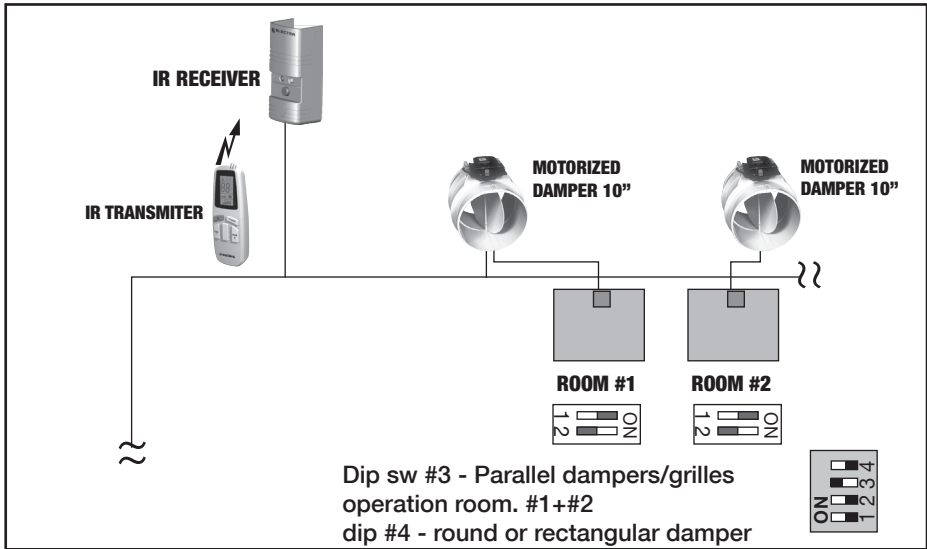
Dip #3 – Defines operation of channel #2 in parallel to Chanel #1.

The remote control of channel #1 will control both on Channel #1 and #2.

To activate, Dip #3 = ON.

Dip #4 – Defines the use of Round dampers or Rectangular Grills.

Round Dampers = OFF, Rectangular Grills = ON



Operation When Zone Controller is NOT connected to the Air condition

When the VAV SYSTEM controller is not connected to the air condition, all dampers and Grills will be fully open.

The Dampers and Grills will remain open, no matter which command is received from the handheld remote control.

The Indication to this situation, the green LED on each I/R receiver will blink every half a second. (Half second ON and Half second OFF).

Operation in Fan Only (ventilation) Mode

- When the air condition receives Fan Only command, the VAV SYSTEM zone control will operate same as in COOL mode.

Operation in DRY Mode

- When the air condition receives DRY command, the VAV SYSTEM zone control will operate same as in COOL mode.

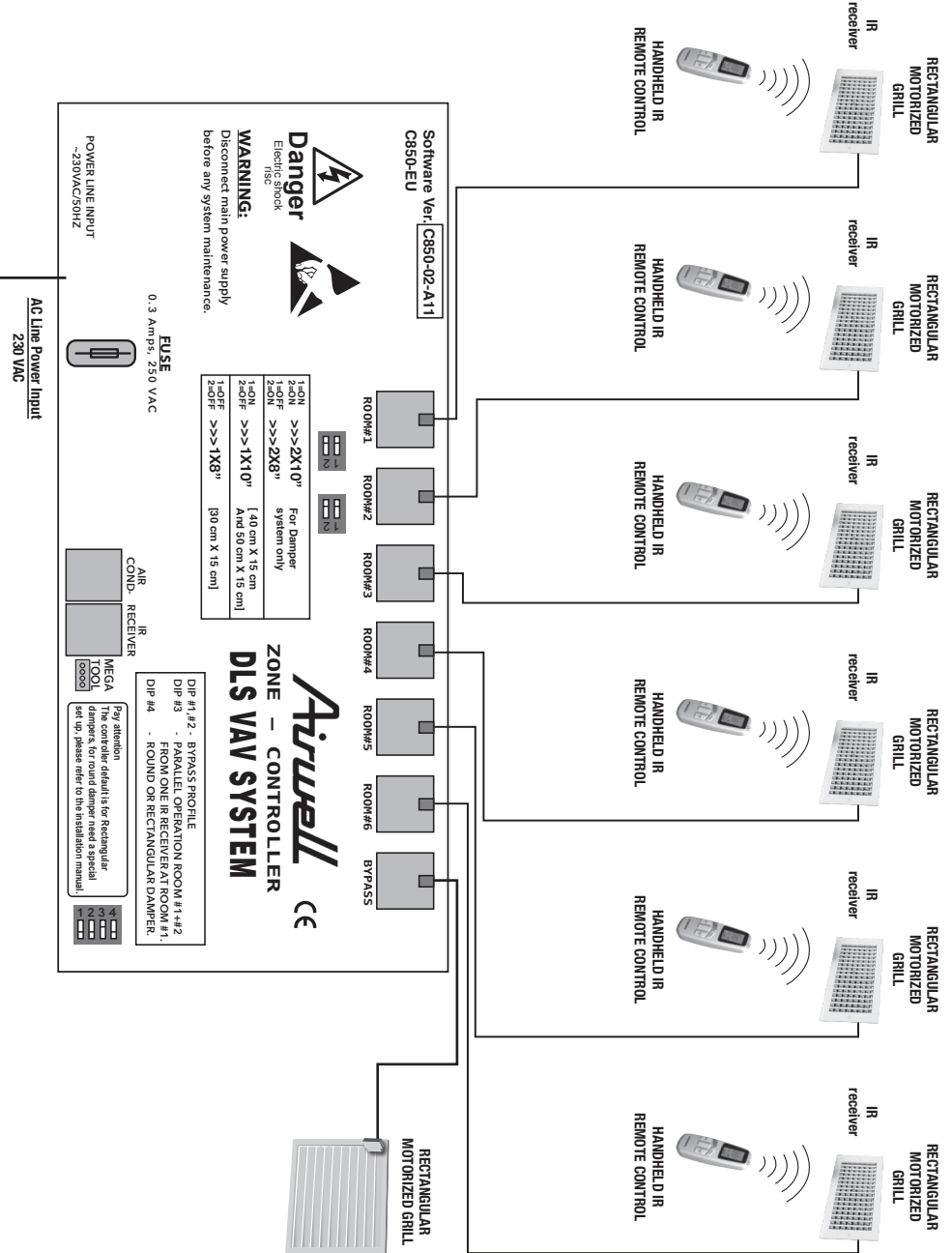
Operation in AUTO Mode

When the air condition receives AUTO command, the VAV SYSTEM zone control will open all dampers to full open position. Except those dampers that received OFF command from the room handheld remote control.

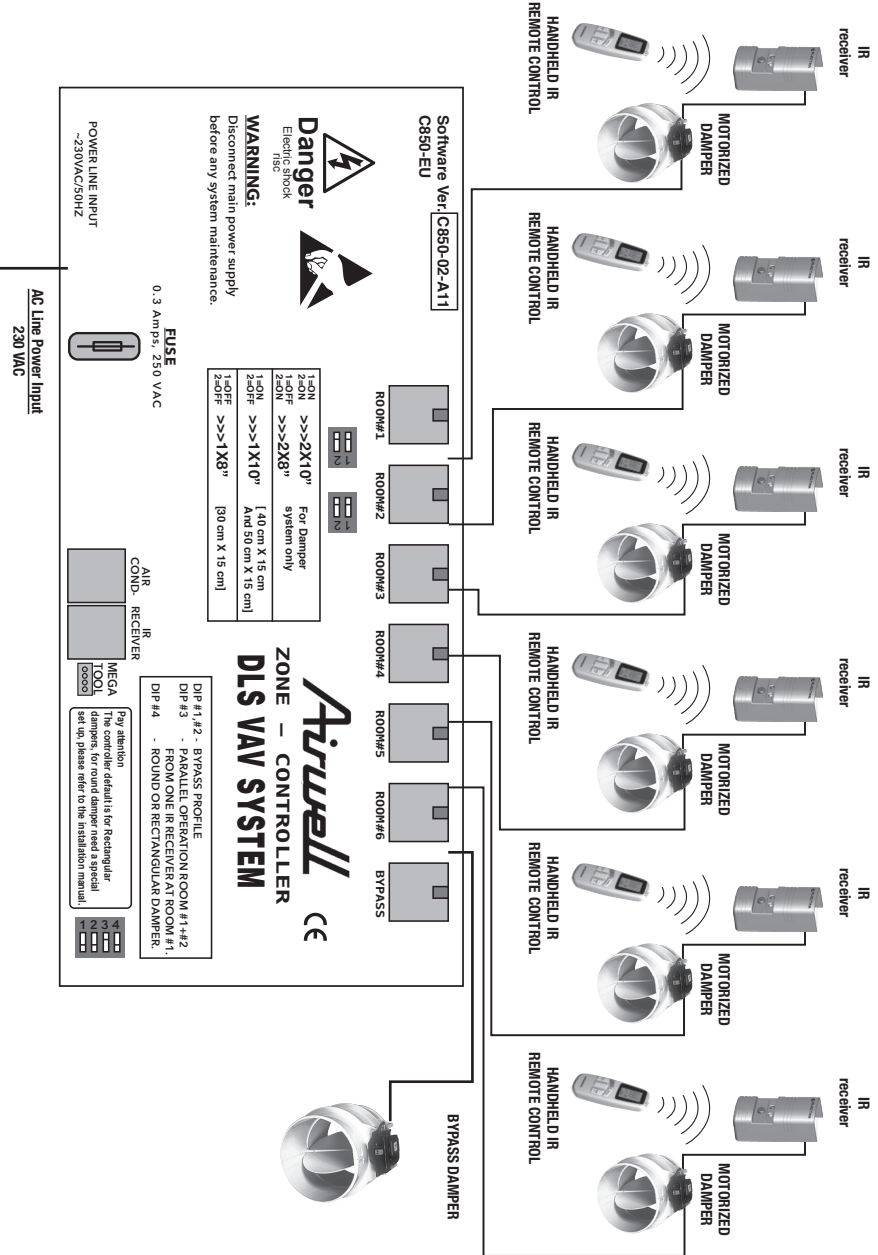
Connection to Wire Operated Remote control – (RCW)

- It is possible to use wire remote controller with the air condition control unit.
 - Connect the Wire Remote (RCW) to the specific plug at the air condition controller.
 - Connect the VAV SYSTEM controller to the air condition controller by use of the cable supplied with the VAV SYSTEM controller.
- It can be cable with round DIN 8 connectors.
or
→ Cable with square ePAD connectors.

Grille system block diagram



Round Damper system block diagram



Troubleshooting

	Problem	Solution
1	There is demand for Cooling or Heating at one of the rooms but the air condition unit don't start?	<ul style="list-style-type: none"> At the Air condition operation panel Check that it's turned ON. Check that the demand at the room is same as at the air condition. (Cool – Cool or Heat – Heat)
2	No demand at all rooms or all remote controllers are OFF but the Air condition do not stop operation?	<p>Check that all rooms are closed.</p> <ul style="list-style-type: none"> Check connection of the cable between the Air condition I/R receiver and the VAV SYSTEM controller. Check connection of the cable between the VAV SYSTEM controller to the Air condition controller.
3	Channel LED at the VAV SYSTEM controller is OFF	It is normal situation when damper / Grill or I/R receiver is not connected to the channel.
4	Motor LED at the Mini Max is OFF	<ul style="list-style-type: none"> Indication that motor is not connected to the controller. RJ45 cable is damaged.
5	At All I/R receivers the LED's blinking.	Indicate that the VAV SYSTEM system is not connected to the Air condition.
6	Fan Motor speed changed to LOW.	Normal operation in minimal demand , a situation when only one damper is open.
7	I/R receiver LED do not turn ON.	<ul style="list-style-type: none"> Check connection of the RJ11 cable to the motor. Check connection of motor to the controller.
8	I/R receiver is ON but the Damper/ Grill do not open.	Check the remote control has demand according to the air condition mode of operation.
9	Damper or Grill do not Open or Close	<ul style="list-style-type: none"> Check the Remote control ID address or set address to 00. Check for cross connection between I/R receiver at one channel to the motor of an other channel at each room. I/R receiver and motor of each room must be connected.
10	Bypass damper to not operate.	Check the cable connection between the Bypass motor and the VAV SYSTEM controller.
11	Damper or Grill is Open but the remote control calls for Close.	Check for eye sight between the remote control and the I/R receiver. If there is no eye sight, the damper will open to 2/3 position after 30 minutes.

System Elements part Numbers

Item	Description	Product Part number
1	Main Controller VAV Kit	3PA139100
2	Motorized Round Damper (D=150mm) Kit	CMR7150
3	Motorized Round Damper (D=200mm) Kit	CMR7200
4	Motorized Round Damper (D=250mm) Kit	CMR7250
5	Motorized ByPass Round Damper (D=200mm) Kit	CMR8200
6	Motorized ByPass Round Damper (D=250mm) Kit	CMR8250
7	Motorized Grill (30cm x 15cm) Kit	CMG71530
8	Motorized Grill (40cm x 15cm) Kit	CMG71540
9	Motorized Grill (50cm x 15cm) Kit	CMG71550
10	Motorized Bypass damper (40cm x 15cm) Kit	COB71540
11	Motorized Bypass damper (50cm x 15cm) Kit	COB71550
12	Frame profile for grille 150mm	CGF 150
13	Frame profile for grille 300mm	CGF 300
14	Frame profile for grille 400mm	CGF 400
15	Frame profile for grille 500mm	CGF 500

Operation Instruction for Air condition unit with the VAV SYSTEM system

The Air condition handheld remote control with the I/R receiver allows the operation of the system.

The overall system can be operated in the following mode of operations:

- Cool – Set the temperature set point at the Air Condition handheld remote control to be same as the temperature required at the rooms.
- Heat - Set the temperature set point at the Air Condition handheld remote control to be same as the temperature required at the rooms.
- Fan Only (Ventilation) – The Zone Control system will act same as at Cool mode.
- Dry - The Zone Control system will act same as at Cool mode.
- Auto – Do not use this mode of operation.
- In case Auto mode is selected, the zone control system will open all dampers to full open position except the rooms which are OFF. The zone control is not operated at the rooms.
- When the system is not in use, turn OFF all handheld remote controls at each room.

Note: When the system automatically changes the fan speed to Low speed, a beep will be sound. This Beep sound is normal as the system gives indication for reducing speed for balancing the air flow in the ducts.

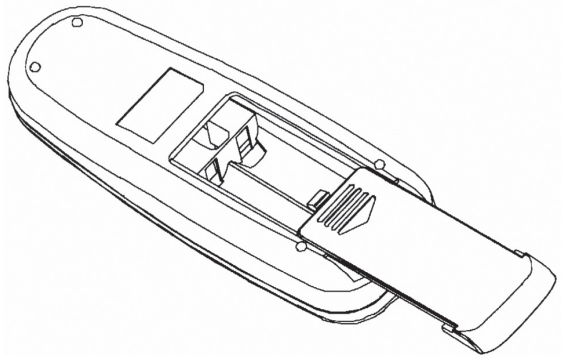
GENERAL

- The VAV SYSTEM connects to mini-central air conditioners to facilitate independent control over the temperature at each room for the occupants' comfort and disconnection of air supply to unoccupied rooms in order so save energy.
- The system includes an electrically operated air damper, a remote control and a sensor in every room. The damper controls the volume of conditioned air entering the room, with the system setting the room's temperature by opening and closing the damper as required.
- The air conditioning setting, cooling or heating, is determined by the air conditioner itself.
- The remote control's range is up to 7 meters.
- To transmit orders, the remote control must be aimed at the sensor. Take care of aiming it directly at the sensor, with no object obtruding in between.
- The sensor responds to signals transmitted from the remote control. The sign of reception is the flickering of the sensor's lights.
- The sensor and the remote control must not be exposed to sunlight or to fluorescent light. Neither should they be exposed to any other source of heat.
- Care must be taken to avoid placing the remote control exposed to air flow coming from the grid on the wall.

BATTERIES INSERTION

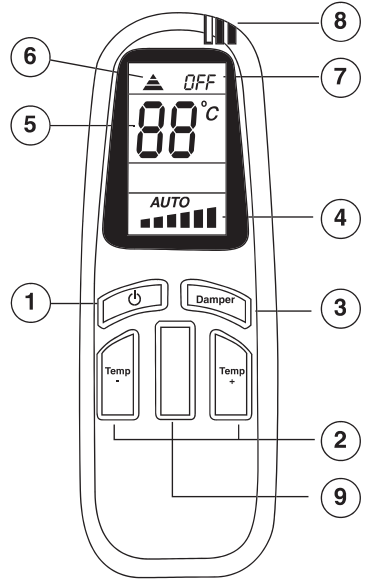
The Batteries compartment is located on the back of the remote control. Slide down the cover and insert the Batteries into the Batteries compartment, according to the illustration.

Two AAA alkaline Batteries are to be used.



ACQUAINTANCE WITH THE REMOTE CONTROL

1. On/Off pushbutton
2. Pushbuttons for elevating and lowering temperature
3. Manual / Automatic condition selecting pushbutton
4. Operating mode display
5. Desired temperature display
6. Transmission indicator
7. "Off" condition indicator
8. Temperature sensor
9. Inactive pushbutton



There are two possibilities of Display and Operation.

For Round dampers we have the Plastic receiver housing.

For Rectangular Grills the I/R receiver and the green indication LED are located at the frame of the grill

DISPLAY AND OPERATION (RECEIVER) UNIT

Round dampers:

The receiver unit includes lights and a pushbutton, which enables manual operation when the remote control is failing or missing (emergency case).

1. Emergency pushbutton

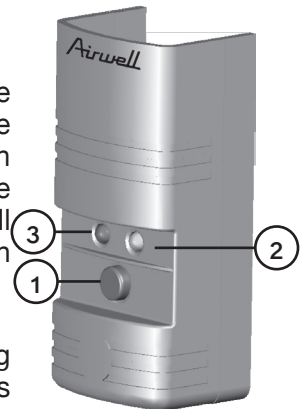
This pushbutton is to be applied when the remote control does not function, is missing or when the Batteries power is low. Depressing the pushbutton (1) once will open the damper to one third and the green light (2) will turn on. Depressing it again will close the damper and the green light (2) will turn off.

2. Working light (green)

This light indicates that the damper is in working condition. Flickering of the light (2) indicates reception of the remote control's transmission.

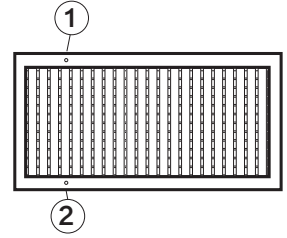
3. Standby light (red)

This light indicates that the damper is standing by but not working.



Rectangular Grill

1. The Infra Red receiver is located at the frame of the grill.
2. The Indication light (Green Color) is located at the frame of the grill.



Working Light (Green)

When this light is ON, it's indicating that the grill is in working mode. When this light is Blinking, it indicates transmission reception from the handheld remote control.

Define individual ID code to each Remote control

The remote controllers supplied from the factory with default ID address of "0". (Zero)

ID address of "0" allows operation with all 6 channels.

In situation where one remote control effects more than one room (cross talk), it is possible to select individual ID address to each remote control. In this case every remote will operate only to that specific room.

ID Address range from 00 to 07.

Channel No. 1 receives ID 01.

Channel No. 2 receives ID 02.

Channel No. 6 receives ID 06.

To select ID address, be sure that the remote control is ON.

Press at same time both on the ON/OFF and "+" buttons for continues 6 seconds.

On the display will appear the numbers "00". ("00" is the default address operates all channels).

With the Up "+" and Down "-" buttons select the required ID address.

After reaching to the required ID address, press the DAMPER button to enter the new ID into the memory.

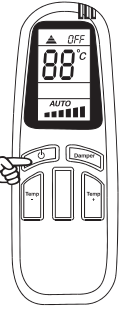
After pressing the DAMPER button, the display will return to display the temperature set point and the remote will return to normal operation.

To be sure that the new ID address was selected well, send a command to the display and watch that the damper response to that command.

OPERATING THE SYSTEM

Turning On / Off

In order to switch on the system in a room, the On/Off pushbutton (1) has to be depressed. Upon depressing, the remote control's display will be lit and simultaneously the green light will turn on and the red light will turn off. The damper will work according to the last working condition before being turned off. Depressing the On/Off pushbutton (1) again will interrupt the room's air conditioning.



Setting the Working Condition

Setting the damper's operation is attained by means of the working condition pushbutton (3). There are four positions:

■ Manual Position 1 - In this position the damper will open to a third of the air flow rate independently of temperature.



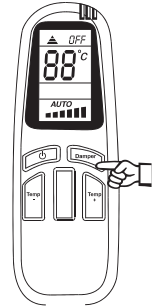
■■ Manual Position 2 - In this position the damper will open to two thirds of the air flow rate independently of temperature.



■■■ Manual Position 3 - In this position the damper will open completely.



■■■■ AUTO - In this position the damper will open automatically and proportionally to the difference between the desired and the ambient temperatures. It is recommendable selecting this position in the normal operating condition.



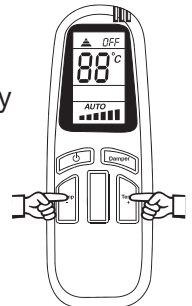
Selecting a Desired Temperature

To select the desired temperature, act as follows:

By means of pushbutton -, the temperature can be lowered.

By means of pushbutton +, the temperature can be elevated.

The desired temperature will show on the remote control's display (5).



Airwell

DLS VAV SYSTEM



**Manuel d'installation et
d'utilisation**

Index:

1. Consignes de sécurité	25
2. Avertissements	25
3. Connexions électriques	26
4. Écran et fonctionnement de l'appareil récepteur infrarouge.	28
5. Du lieu d'installation de l'écran	28
6. De l'emplacement de la télécommande	28
7. Connexion des câbles entre les moteurs de registre et le régulateur VAV SYSTEM.	29
8. Définition de la taille du registre et utilisation des canaux N°1 et N°2	29
9. Connexion des câbles entre les écrans du climatiseur et le régulateur VAV SYSTEM.	30
10. Câble de connexion entre le régulateur VAV SYSTEM et le régulateur du climatiseur	31
11. Profils de connexion et de fonctionnement de dérivation	32
12. Fonctionnement lorsque le régulateur de zone N'EST PAS connecté au climatiseur	33
13. Connexion à la télécommande filaire - (RCW)	34
14. Diagramme du système de grille.	35
15. Diagramme du système de registre rond	36
16. Dépannage	37
17. Références des éléments du système	38
18. Consigne d'utilisation du climatiseur avec le système VAV SYSTEM	39
19. Généralités	40
20. Fonctions de la télécommande	41
21. Mise en route du système	43

VAV SYSTEM Consignes d'installation et d'utilisation

Outils nécessaires

1. Tourne-vis.
2. Perceuse à main.
3. Mèche 6 mm.

Attention

N'installez pas le système dans la buanderie ou la salle de bains, où la condensation peut s'écouler du plafond.

Consignes de sécurité

- Faites attention aux symboles d'avertissement dans le document.
- Vérifiez que le climatiseur qui sera contrôlé par le système VAV est installé et prêt à fonctionner.
- L'installation du système doit être conforme aux réglementations locales et aux codes en vigueur.
- Il est de la responsabilité de l'installateur de déterminer et de se conformer à tous les codes et règlements applicables.
- L'installateur doit être un technicien expérimenté, formé à l'installation de ce type d'équipement.

Avertissements

- Pour éviter un choc électrique ou des dommages matériels, débranchez l'alimentation électrique avant d'installer et de faire l'entretien du système.
- L'installateur doit être un technicien d'entretien expérimenté et formé à l'installation de ce type d'équipement.
- Avant de démarrer, lisez toutes les instructions de sécurité contenues dans ce manuel et familiarisez-vous avec le système et son fonctionnement.
- Une installation non conforme peut créer à court terme des problèmes électriques et de fonctionnement.
- Assurez-vous de raccorder le cordon d'alimentation principal 230 VAC du module de commande VAC aux bornes 230 VAC du climatiseur.
- (Soyez prudent lorsque des appareils triphasés sont utilisés. La connexion doit se faire entre phase et neutre).
- L'utilisation d'une ligne d'alimentation ou d'une prise électrique non destinée à ce genre d'installation peut créer des courts-circuit et provoquer un incendie. Pour toute question ou clarification, veuillez vous reporter aux consignes contenues dans ce document.
- N'utilisez pas de cordon d'alimentation endommagé, un câble fabriqué à partir de quelques segments de câble ou si il est connecté à un câble de rallonge.

- Veillez à fermer le couvercle métallique du régulateur VAV.

Connexions électriques

Instructions générales

Utilisez le cordon d'alimentation connecté au module de commande VAV et suivez les codes et règlements locaux d'installation électrique.

1. Dénudez les bouts des fils de connexion au bornier du climatiseur.
2. Connectez le cordon d'alimentation à 3 fils aux bornes dans l'appareil interne.
3. Joignez le cordon d'alimentation au câble de la ligne d'alimentation principale avec des serre-câbles.

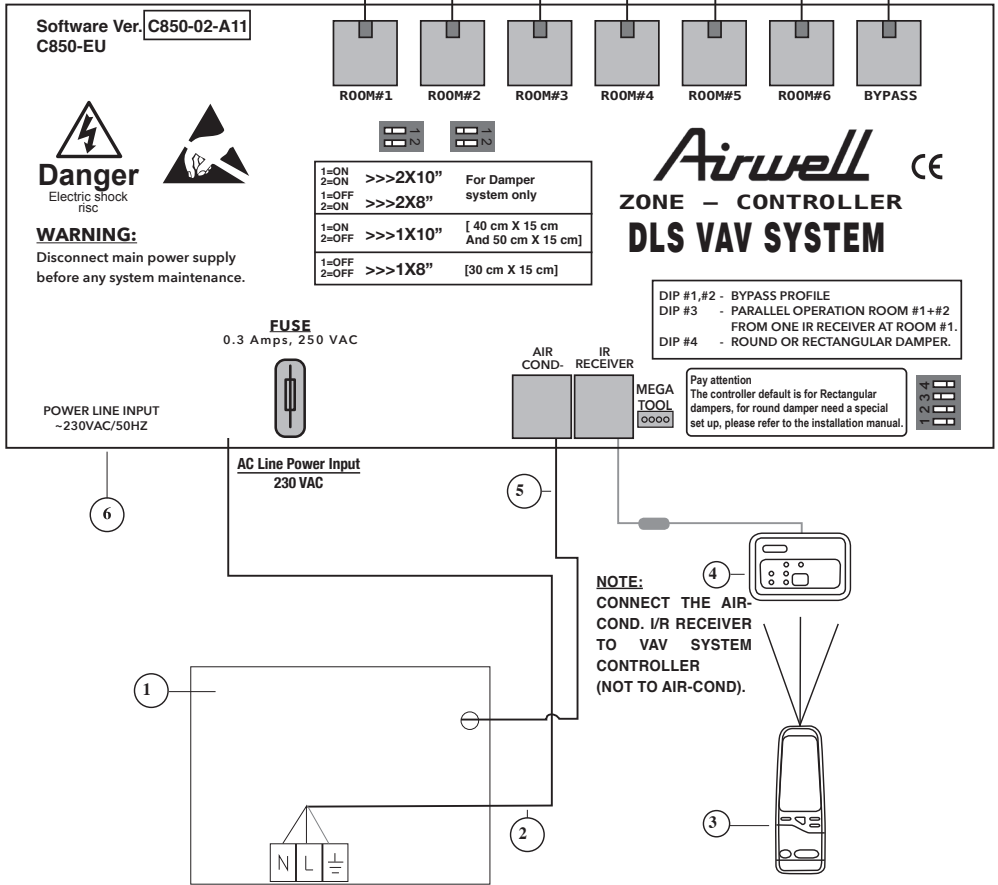
Avertissement ! Ne tirez pas sur le cordon d'alimentation ou d'autres câbles du système.

Sélectionnez le schéma électrique approprié pour ce type de climatiseur. Le régulateur doit être raccordé uniquement selon le schéma électrique du climatiseur installé.

Avertissements !

- Le système doit être installé suivant les consignes contenues dans ce document.
- La garantie n'est pas valide dans le cas où les éléments du système sont utilisés de manière non conforme aux instructions écrites dans ce document.
- L'installation et/ou l'endommagement des éléments du système par un non-professionnel annule toute garantie.
- Aucune réparation sur le terrain n'est autorisée pour tous les éléments du système.
- La réparation des éléments du système est interdite.
- Toute réparation effectuée par un personnel non autorisé annule la garantie.
- Tout fonctionnement de l'alimentation non standard et non approuvé par la compagnie d'électricité, comme par exemple l'utilisation d'un groupe électrogène ou un bâtiment non relié au réseau de compagnie d'électricité entraîne une annulation de la garantie.

Écran et fonctionnement de l'appareil récepteur



1. Régulateur de l'unité interne.
2. Câble d'alimentation.
3. Télécommande.
4. Affichage climatiseur.
5. Câble de connexion entre le climatiseur et
6. Régulateur Mini Max.

infrarouge

NB!

Les appareils C852 utilisés pour les systèmes VAV SYSTEM sont les mêmes qui sont utilisés avec les systèmes Max Mini autonomes.

Du lieu d'installation de l'écran

Il est recommandé de monter l'écran près du plafond où la température ambiante est normale.

Installez l'écran en fonction de la décoration de la pièce.

L'écran doit être monté en ligne de mire de la télécommande.

L'écran doit être monté à une distance n'excédant pas 7 mètres de la télécommande.

Ne montez pas l'écran dans un endroit où il est directement exposé aux rayons du soleil ou à un autre éclairage artificiel fluorescent/halogène.

L'écran est relié au moteur de registre par l'intermédiaire d'un câble de communication RJ11-4.

Montage de l'écran sur le mur.

Utilisez une perceuse à main électrique pour percer un trou de 6 mm dans le mur pour la cheville en plastique.

Ouvrez l'arrière de l'écran et marquer l'emplacement du trou.

Utilisez les vis fournies pour monter l'arrière de l'écran sur le mur.

Le câble de communication RJ11-4 connecte l'écran au moteur de registre.

Le câble est

de 6 mètres de long et transmet les données de l'écran au moteur de registre.

Veillez à bien raccorder (jusqu'à l'extrémité) le connecteur sur le côté du moteur de registre.

De l'emplacement de la télécommande

Veillez à monter le support de la télécommande en ligne de mire de l'écran et observez une distance maximale de 7 mètres entre le support et l'écran.

Il est recommandé de ne monter le support sur le mur qu'après avoir fait fonctionner le moteur de registre et effectué quelques tests avec la télécommande pour être sûr que l'emplacement choisi est adapté pour la transmission des signaux infrarouge entre la télécommande et l'écran.

Connexion des câbles entre les moteurs de registre et

le régulateur VAV SYSTEM.

- Le moteur de registre se connecte directement au câble RJ45 de 3 mètres du régulateur.
- Veillez à entrer la fiche dans la prise située à côté du moteur jusqu'à la fin, afin de permettre une bonne connexion électrique.
- Il est INTERDIT d'étendre ce câble.

Définition de la taille du registre et utilisation des canaux N°1 et N°2.

Près des connecteurs des canaux N°1 et N°2, vous trouverez des commutateurs DIP qui permettent de sélectionner la taille des registres et le nombre de registres raccordés à chaque canal.

Le Commutateur DIP N°1 choisit la taille du registre 6", 8" ou 10". (160mm, 200mm, 250mm)

Commutateur DIP N°1 OFF = 6" ou 8".

Commutateur DIP N°1 ON = 10"

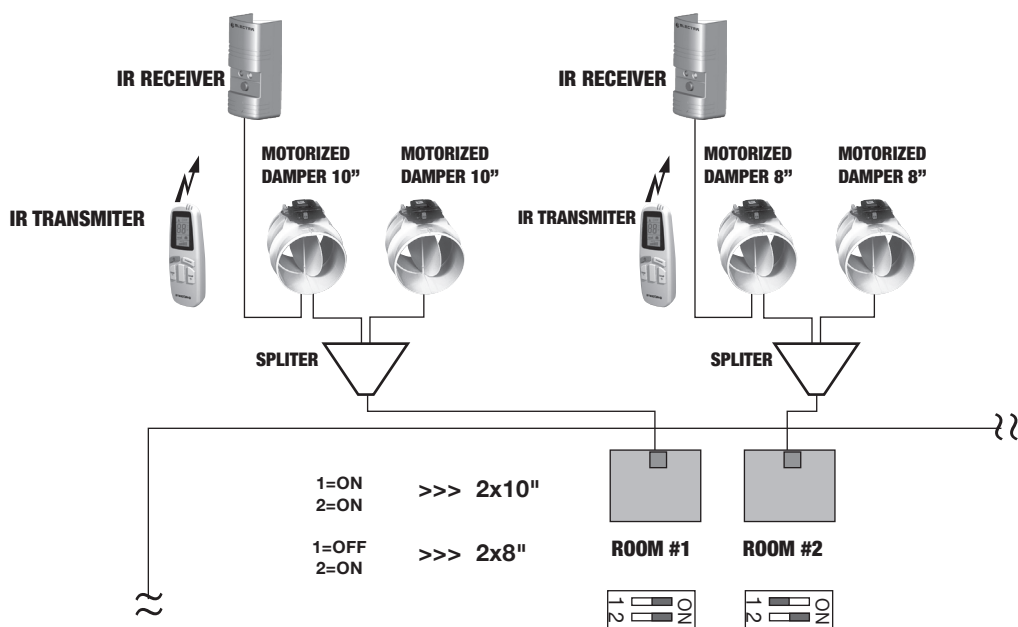
Le Commutateur DIP N°2 définit si un ou deux registres reliés au canal.

Commutateur DIP N°2 OFF = Un registre.

Commutateur DIP N°2 ON = deux registres.

Canal N°1 est réglé en usine sur le registre de taille 10".

Commutateur DIP #1	Commutateur DIP #2	Registre	Grilles
ON	ON	2 registres de taille 10"	----
OFF	ON	2 registres de taille 8"	----
ON	OFF	1 registre de taille 10"	1 Grill 40 cm X 15 cm 1 Grill 50 cm X 15 cm
OFF	OFF	1 registre de taille 8"	1 Grill 30 cm X 15 cm



Connexion des câbles entre les écrans du climatiseur et le régulateur VAV SYSTEM.

Le climatiseur est fourni avec un écran récepteur infrarouge et un câble de connexion de 7 mètres.

Ce câble d'origine est utilisé pour la connexion entre l'écran et le régulateur du climatiseur.

Le climatiseur peut être fourni avec deux types de connecteurs.

- Connecteur ePAD - type carré.
- Connecteur 8 DIN – type rond.

Climatiseur avec connecteur ePAD - type carré

À l'intérieur du carton d'emballage du VAV SYSTEM vous trouverez un câble supplémentaire de 7 mètres de long, Utilisez ce câble entre le VAV SYSTEM et l'écran du climatiseur.

Au niveau du VAV SYSTEM, branchez-le au connecteur marqué « Ecran »

Dans le module du régulateur VAV SYSTEM vous trouverez deux moitiés d'un cylindre. (Couleur noire), ce sont les parties du filtre de câble.

Veillez monter les deux moitiés du cylindre sur le câble entre l'écran du climatiseur et le régulateur du VAV SYSTEM.

Les deux moitiés du cylindre doivent se fermer sur le câble rond avec les boutons-pression sur les côtés.

Climatiseur avec connecteur 8 DIN – type rond

Ce câble d'origine est utilisé pour la connexion entre l'écran et le régulateur du climatiseur.

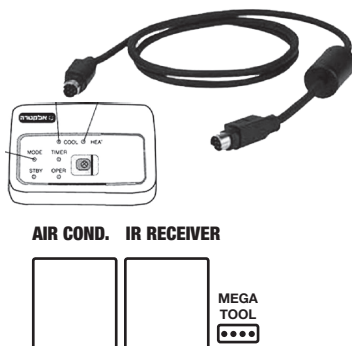
Lorsque vous utilisez la zone de contrôle du système VAV SYSTEM, ce câble doit être connecté entre l'écran du climatiseur et le régulateur VAV SYSTEM. Veuillez le connecter à la prise marquée «Écran».

Dans le module du régulateur VAV SYSTEM vous trouverez deux moitiés d'un cylindre. (Couleur noire), ce sont les parties du filtre de câble.

Veuillez monter les deux moitiés du cylindre sur le câble d'origine entre l'écran du climatiseur et le régulateur du VAV SYSTEM.

Les deux moitiés du cylindre doivent se fermer sur le câble rond avec les boutons-pression sur les côtés.

Introduisez le bouchon avec la flèche pointant vers le haut dans la prise du régulateur du VAV SYSTEM.



(Voir le schéma de connexion à page 5).

Câble de connexion entre le régulateur VAV SYSTEM et le régulateur du climatiseur.

Ce câble peut recevoir deux types de connecteurs.

- Connecteur ePAD - type carré
- Connecteur 8 DIN – type rond

Connecteur ePAD - type carré

Lorsque vous utilisez le connecteur ePAD de type carré, utilisez le câble d'origine du climatiseur pour relier le régulateur VAV SYSTEM au climatiseur. Au niveau du VAV SYSTEM, branchez-le à la prise marquée «climatiseur».

Connecteur 8 DIN – type rond

Le système est fourni avec un câble supplémentaire et des connecteurs Mini 8 DIN de type rond ou des connecteurs ePAD de type carré.

Ce câble de connexion doit être installé entre le régulateur VAV SYSTEM et le régulateur du climatiseur.

Connectez-le à la prise « climatiseur » du VAV SYSTEM.

Introduisez le câble dans la prise avec la marque de la flèche vers le haut.

(Voir le schéma de connexion à la fin de ce document).

Profils de connexion et de fonctionnement de dérivation

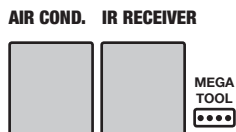
Le moteur de dérivation connecte directement le régulateur VAV SYSTEM à la prise « dérivation ».

Il n'y a pas de connexion du récepteur I/R vers le moteur de dérivation.

Le profile d'ouverture de dérivation peut être choisi à l'aide des commutateurs DIP 31 et 32 situés dans le coin inférieur droit du régulateur.

Le réglage usine par défaut est DIP N°1 = OFF, DIP N°2 = OFF.

En cas d'installation particulière, contactez le département d'entretien pour la sélection du meilleur profil.



Définition des commutateurs DIP

DIP N°1 – Définit le profil de dérivation. Fonctionnement normal = OFF.

DIP N°2 – Définit le profil de dérivation. Fonctionnement normal = OFF.

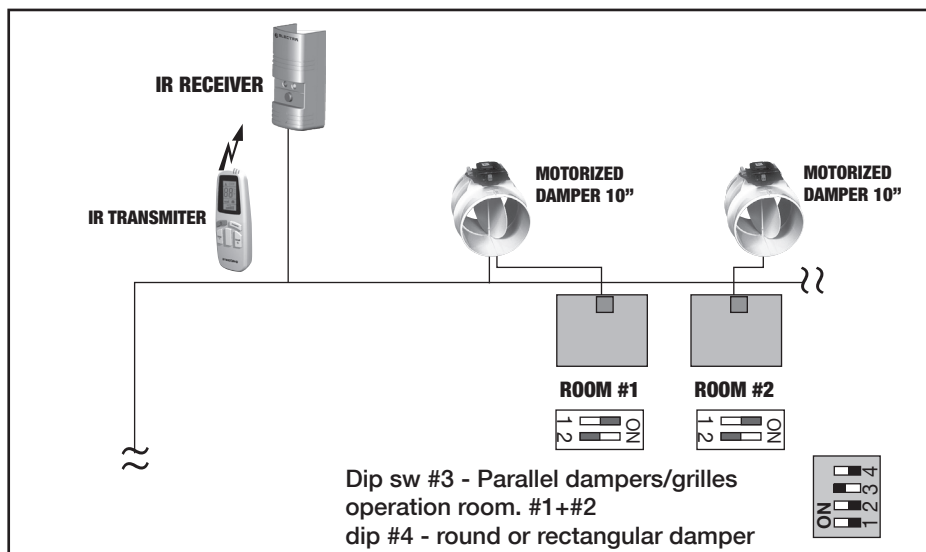
DIP N°3 – Définit le fonctionnement du canal N°2 en parallèle au canal N°1

La télécommande du canal N°1 contrôle les canaux N°1 et N°2.

Pour activer, DIP N°3 = ON.

DIP N°4 – Définit l'utilisation des registres ronds et des grilles rectangulaires.

Registres ronds = OFF, grilles rectangulaires = ON.



Fonctionnement lorsque le régulateur de zone N'EST PAS connecté au climatiseur

Lorsque le régulateur VAV SYSTEM n'est pas connecté au climatiseur, tous les registres et grilles sont entièrement ouvert(e)s.

Les registres et les grilles restent ouvert(e)s, indépendamment du signal reçu de la télécommande.

L'indication est donnée par le clignotement de la LED verte sur chaque récepteur I/R chaque demi-seconde. (Une demi-seconde ON et une demi-seconde OFF).

Mode de fonctionnement ventilateur uniquement (ventilation)

- Lorsque le signal de fonctionnement ventilateur uniquement est reçu par le climatiseur, le régulateur de zone VAV SYSTEM fonctionne comme en mode air frais.

Fonctionnement en mode sec

Lorsque le signal de fonctionnement sec uniquement est reçu par le climatiseur, le régulateur de zone VAV SYSTEM fonctionne comme en mode air frais.

Fonctionnement en mode auto

Lorsque le signal de fonctionnement auto uniquement est reçu par le climatiseur, le régulateur de zone VAV SYSTEM place tous les registres en position entièrement ouverte.

À l'exception des registres ayant reçu le signal OFF de la télécommande de la pièce.

Connexion à la télécommande filaire - (RCW)

Il est possible d'utiliser une télécommande filaire avec le climatiseur.

- Connectez la télécommande filaire (RCW) à la prise spécifique au niveau du régulateur du climatiseur.
- Connectez le régulateur VAV SYSTEM au régulateur du climatiseur à l'aide du câble fourni avec le régulateur VAV SYSTEM.

→ Il peut s'agir d'un câble avec des connecteurs ronds DIN 8.

ou

→ Un câble avec des connecteurs carrés ePAD.

Diagramme du système de grille

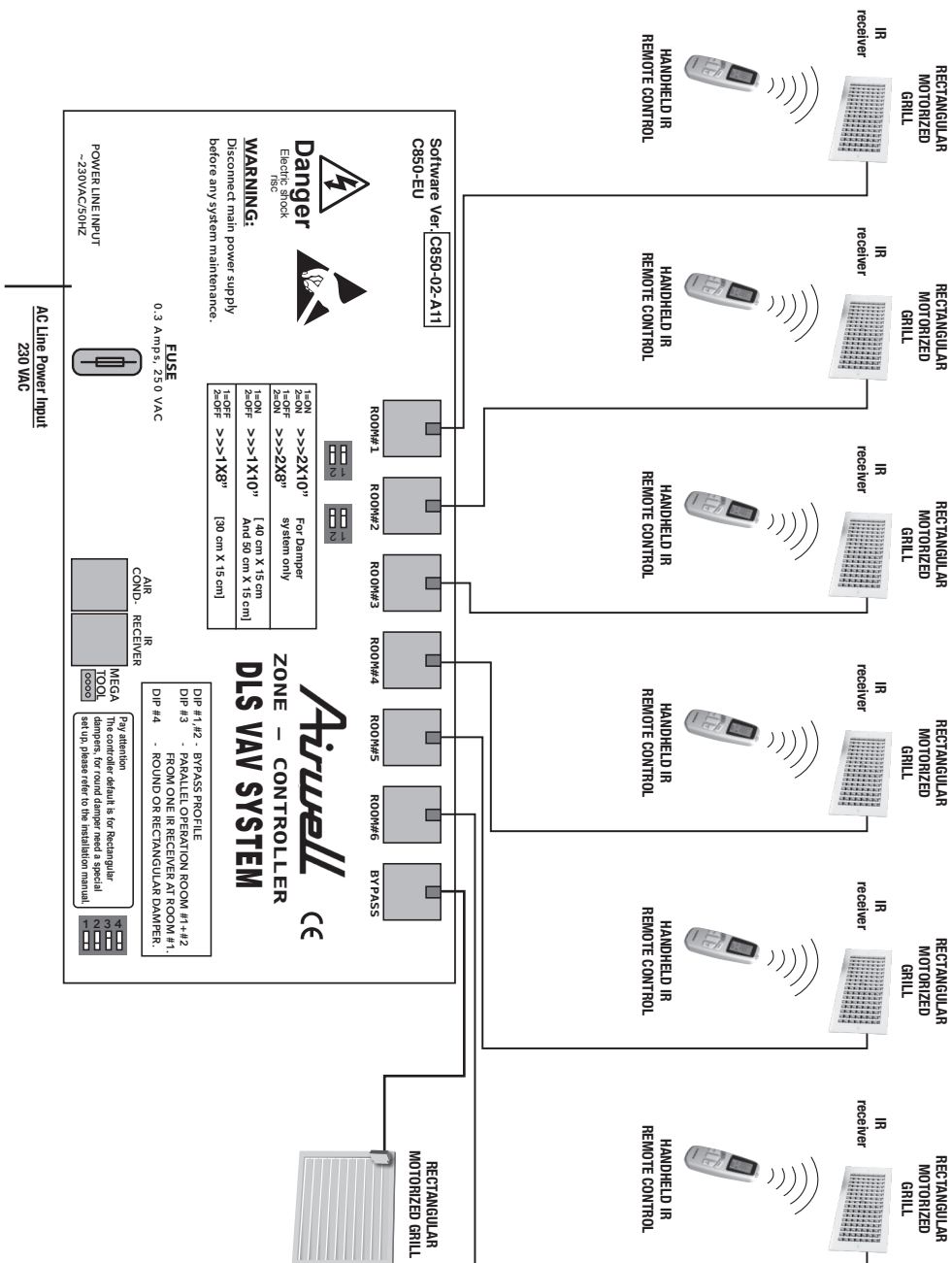
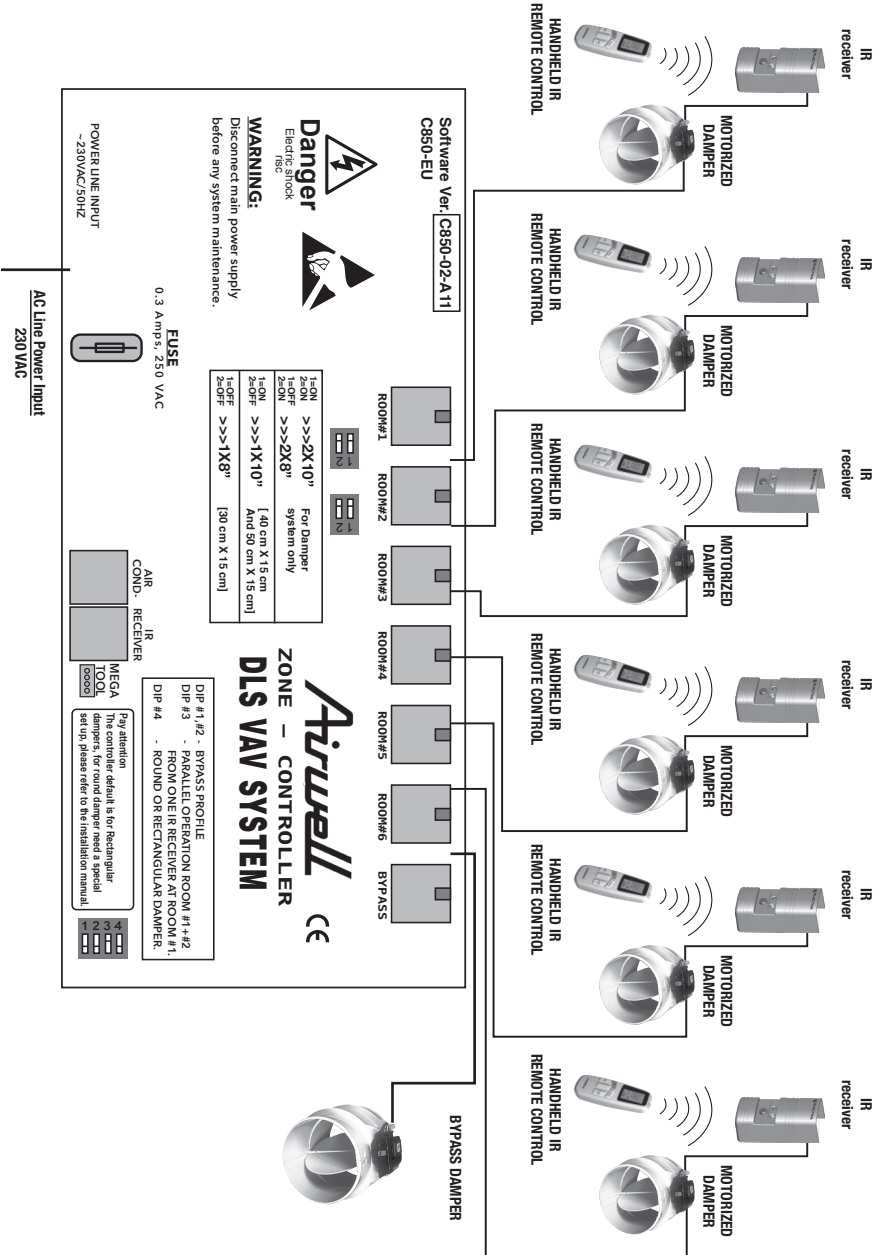


Diagramme du système de registre rond



Dépannage

	Problème	Solution
1	Il y a une demande de refroidissement ou de chauffage dans une des pièces, mais le climatiseur ne démarre pas.	<ul style="list-style-type: none"> • Vérifiez que le climatiseur est en marche au niveau du panneau. • Vérifiez que la demande de la pièce est la même qu'au niveau du climatiseur. • (Air frais – Air frais ou chaud – Air chaud)
2	Aucune demande dans les pièces ou tous les régulateurs à distance sont sur OFF, mais le climatiseur ne s'arrête pas de fonctionner	<ul style="list-style-type: none"> • Vérifiez que toutes les pièces sont entièrement fermées. • Vérifiez la connexion du câble entre le récepteur I/R du climatiseur et du régulateur VAV SYSTEM. • Vérifiez la connexion du câble entre le régulateur VAV SYSTEM au régulateur du climatiseur.
3	La LED du canal du régulateur VAV SYSTEM est éteinte	La situation est normale lorsque le registre/grille ou le récepteur I/R n'est pas connecté au canal.
4	La LED du moteur VAV SYSTEM est éteinte	<ul style="list-style-type: none"> • Indication que le moteur n'est pas connecté au régulateur. • Le câble RJ45 est endommagé.
5	La LED au niveau de tous les récepteurs I/R clignotent.	Indique que le système VAV SYSTEM est connecté au climatiseur.
6	La vitesse du moteur du ventilateur passe à bas.	Le fonctionnement normal en demande minimale, situation dans laquelle un seul registre est ouvert.
7	La LED du récepteur I/R ne se met pas sur ON.	<ul style="list-style-type: none"> • Vérifiez la connexion du câble RJ11 au moteur. • Vérifiez la connexion du moteur du régulateur.
8	Le récepteur I/R est sur ON, mais le registre/grille ne s'ouvre pas.	Vérifiez que le signal de la télécommande est conforme au mode de fonctionnement du climatiseur.
9	Le registre ou la grille ne se ferme/ouvre pas	<ul style="list-style-type: none"> • Vérifiez l'adresse d'identifiant de la télécommande ou définissez l'adresse sur 00. • Vérifiez le raccordement croisé entre le récepteur I/R au niveau d'un canal au moteur d'un autre canal dans chaque pièce. Le récepteur I/R et le moteur de chaque pièce doit être connecté.
10	Le registre de dérivation ne fonctionne pas.	Vérifiez la connexion du câble entre le moteur de dérivation et le régulateur VAV SYSTEM.
11	Le registre ou la grille est ouvert(e), mais la télécommande émet un signal de fermeture.	Vérifiez le point de visée entre la télécommande et le récepteur I/R. En cas d'absence de point de visée, le registre s'ouvre en position 2/3 après 30 minutes.

Références des éléments du système

Désignation	Description	Référence produit
1	Kit régulateur principal VAV	3PA139100
2	Kit régulateur rond motorisé (D=150mm)	CMR7150
3	Kit régulateur rond motorisé (D=200mm)	CMR7200
4	Kit régulateur rond motorisé (D=250mm)	CMR7250
5	Kit régulateur rond de dérivation motorisé (D=200mm)	CMR8200
6	Kit régulateur rond de dérivation motorisé (D=250mm)	CMR8250
7	Kit grille motorisée (30cm x 15cm)	CMG71530
8	Kit grille motorisée (40cm x 15cm)	CMG71540
9	Kit grille motorisée (50cm x 15cm)	CMG71550
10	Kit registre de dérivation motorisé (40cm x 15cm)	COB71540
11	Kit registre de dérivation motorisé (50cm x 15cm)	COB71550
12	Profil de cadre pour la grille 150mm	CGF 150
13	Profil de cadre pour la grille 300mm	CGF 300
14	Profil de cadre pour la grille 400mm	CGF 400
15	Profil de cadre pour la grille 500mm	CGF 500

Consigne d'utilisation du climatiseur avec le système VAV SYSTEM

La télécommande du climatiseur ainsi que le récepteur I/R permettent le fonctionnement du système.

L'ensemble du système peut fonctionner dans les modes d'opération suivants :

- Air frais – Réglez la température à l'aide de la télécommande de sorte qu'elle corresponde à la même température que celle requise dans les pièces.
- Chaleur – Réglez la température à l'aide de la télécommande de sorte qu'elle corresponde à la même température que celle requise dans les pièces.
- Ventilateur uniquement (ventilation) – Le système de régulateur de zone agira de la même manière que dans le mode air frais.
- Sec – Le système de régulateur de zone agira de la même manière que dans le mode air frais.
- Auto – Ne vous avisez pas d'utiliser ce mode de fonctionnement.
- En cas de sélection du mode automatique, le système de régulateur de zone place tous les registres en position entièrement ouverte à l'exception des pièces qui sont OFF. Le régulateur de zone ne fonctionne pas dans toutes les pièces.
- Lorsque le système n'est pas en marche, mettez toutes les télécommandes en OFF dans chaque chambre.

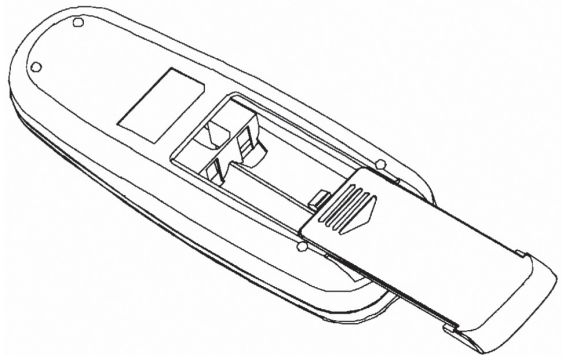
NB: Lorsque le système modifie automatiquement la vitesse du ventilateur pour la faire passer au mode lent, un bip résonne. Le bip est un son normal qui traduit une indication du changement de vitesse par le système ; cette réduction de vitesse permet un équilibre du flux d'air dans les conduits.

Généralités

- Le système DLS VAV se branche sur mini-centrale de climatisation et permet un contrôle indépendant de la température dans chaque pièce pour le plus grand confort des résidents, ainsi qu'une économie d'électricité grâce à l'interruption d'alimentation d'air climatisé vers les pièces non occupées.
- Le système comprend un régulateur d'air à actionnement électrique (damper ou registre), une télécommande et un objectif placé dans chaque pièce. Le régulateur gère la quantité d'air climatisé qui pénètre dans la pièce, la température étant réglée sur demande par un dispositif d'ouverture et de fermeture du registre.
- La position sélectionnée pour le conditionnement de l'air – chauffage ou refroidissement – est déterminée par le climatiseur.
- La télécommande a une portée de 7 mètres.
- Pour exécuter une opération, la télécommande doit être directement orientée vers l'objectif en veillant à ce qu'aucun objet n'obstrue la trajectoire qui les sépare.
- L'objectif réagit aux signaux envoyés par la télécommande. Le clignotement de la diode intégrée à l'objectif indique l'enregistrement de la commande.
- En aucun cas, l'objectif et la télécommande ne doivent être exposés à la lumière du soleil ou à un éclairage néon ni à toute autre source de chaleur.
- Veillez à ce que la télécommande ne soit pas exposée au courant d'air sortant du mur.

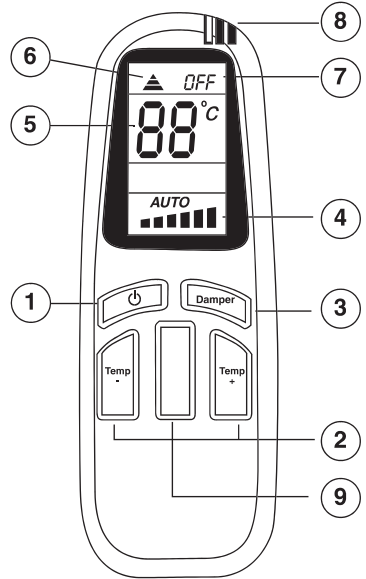
Mise en place de la pile

Au dos de la télécommande, se trouve le logement des piles. Faites glisser son couvercle vers le bas et introduisez les piles dans leur logement, en respectant les indications du schéma. Utilisez 2 piles Alcalines AAA.



Fonctions de la télécommande

1. Bouton de Mise en marche / Arrêt.
2. Touches d'augmentation et de diminution de la température
3. Sélecteur du mode de fonctionnement manuel / automatique
4. 4. Affichage du mode de fonctionnement
5. 5. Affichage de la température souhaitée
6. 6. Signal de diffusion
7. 7. Signal d'arrêt
8. 8. Thermostat
9. 9. Touche inactive



Il existe deux possibilité d'affichage et de fonctionnement.

Il y a un boîtier de récepteur plastique pour les registres ronds.

Le récepteur I/R des grilles rectangulaires et le témoin vert sont situés sur le cadre de la grille.

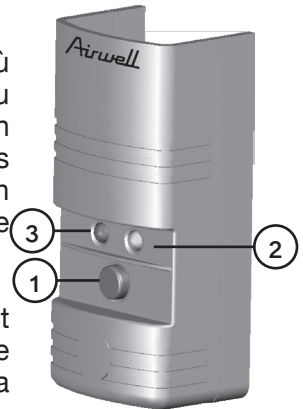
Appareil d'affichage et de mise en route

(objectif)

Registres ronds:

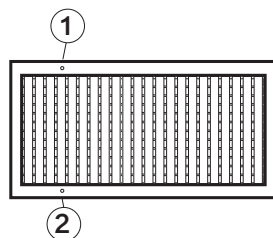
L'objectif comprend des diodes et un bouton permettant la mise en route manuelle en cas de panne ou d'absence de la télécommande

1. Bouton d'urgence :Ce bouton est prévu au cas où la télécommande serait en panne ou introuvable ou encore, si ses piles sont faibles. Une simple pression sur la touche (1) ouvre le registre du régulateur au tiers et la diode verte (2) s'allume. Une deuxième pression sur ce même bouton ferme ledit registre et la diode verte (2) s'éteint.
2. Indicateur de fonctionnement (diode verte) : Cette diode indique que le registre du régulateur est en marche. Le clignotement de la diode (2) indique l'enregistrement d'une commande émise par la télécommande.
3. Indicateur de mise en attente (diode rouge) : Cette diode indique que le registre du régulateur est en attente, mais non en marche.



Calandre rectangulaire

1. Le récepteur infrarouge est situé sur le cadre de la calandre.
2. Le témoin (couleur verte) est situé au niveau du cadre de la calandre.



Témoin de fonctionnement (Vert)

Lorsque ce témoin est allumé, il est indiqué que la calandre est en mode de fonctionnement.

Lorsque ce témoin clignote, il est indiqué la réception de la transmission de la télécommande manuelle

Définir le code d'identification individuel sur chaque télécommande

Les télécommandes fournies par l'usine ont une adresse d'identification par défaut de « 0 ». (Zéro)

L'adresse d'identification « 0 » permet un fonctionnement avec tous les 6 canaux.

Dans la situation où une télécommande agit sur plus d'une pièce (empreinte magnétique), il est possible de sélectionner l'adresse d'identification individuelle de chaque télécommande. Dans ce cas, chaque télécommande ne fonctionne que dans une pièce donnée.

Plage d'adresses d'identification 00 à 07.

Le Canal N° 1 reçoit l'identifiant 01.

Le Canal N° 2 reçoit l'identifiant 02.

Le Canal N° 6 reçoit l'identifiant 06.

Pour sélectionner l'adresse d'identification, assurez-vous que la télécommande est activée.

Appuyez simultanément sur les boutons ON/OFF et « + » pendant 6 secondes sans interruption.

Les chiffres « 00 » s'affichent à l'écran. (« 00 » est l'adresse par défaut qui fonctionne avec tous les canaux).

Avec les boutons haut « + » et bas « - », sélectionnez l'adresse d'identification souhaitée.

Après avoir atteint à l'adresse d'identification souhaitée, appuyez sur le bouton REGISTRE pour entrer le nouvel identifiant dans la mémoire.

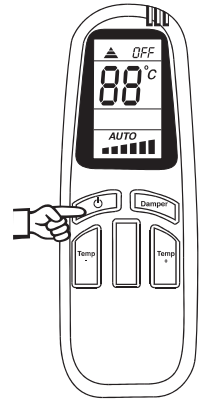
Après avoir appuyé sur le bouton REGISTRE, l'écran revient à l'affichage de réglage de la température et la télécommande retourne au fonctionnement normal.

Pour être sûr que l'adresse d'identification a été bien sélectionnée, envoyez une commande à l'écran et observez la réponse du registre à cette commande.

Mise en route du système

Mise en marche / Arrêt

Pour mettre le système en marche dans une pièce, il suffit d'appuyer sur le bouton de mise en marche / arrêt (1). Cette pression fait apparaître l'affichage sur l'écran de la télécommande, allumant parallèlement la diode verte et éteignant la diode rouge. Le régulateur se met alors sur le mode de fonctionnement sur lequel il a été précédemment éteint. Une deuxième pression sur le bouton de mise en marche / arrêt (1) stoppe le fonctionnement de la climatisation dans la pièce.



Sélection du mode de fonctionnement

Le sélecteur du mode de fonctionnement (3) sert à déterminer le mode d'opération de l'appareil. Quatre modes sont possibles.



Mode manuel 1 – dans cette position, le registre du régulateur s'ouvre au tiers de sa capacité de débit d'air quelle que soit la température.



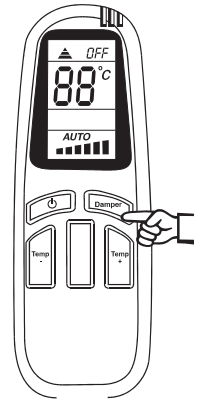
Mode manuel 2 – dans cette position, le registre du régulateur s'ouvre au deux tiers de sa capacité de débit d'air quelle que soit la température.



Mode manuel 3 – dans cette position, le registre du régulateur s'ouvre entièrement.



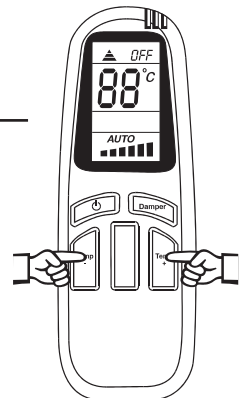
Mode automatique - dans cette position, le registre du régulateur s'ouvre automatiquement et au débit requis selon la différence de température entre celle demandée.



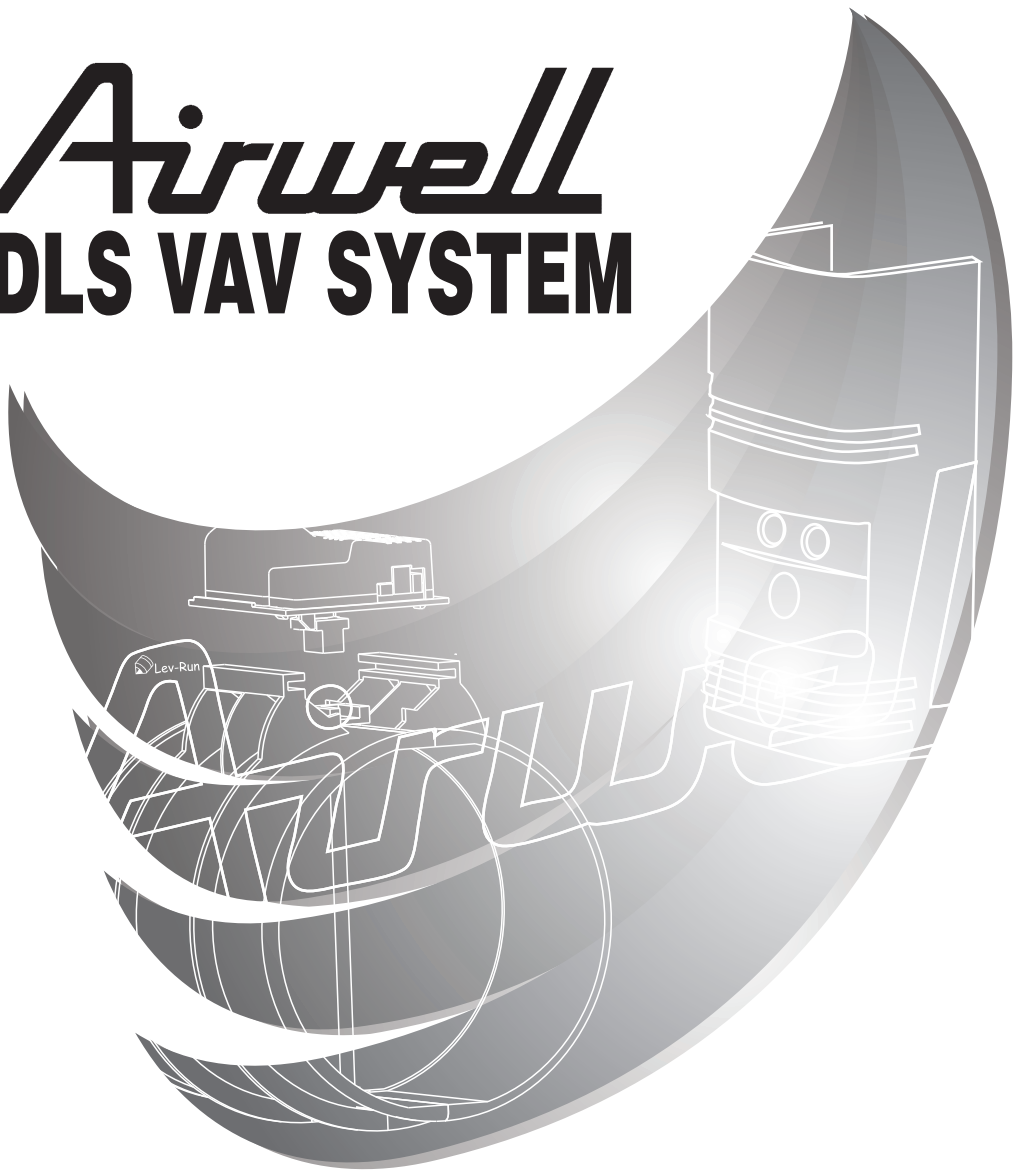
Sélection de la température demandée

La sélection de la température demandée s'effectue comme suit : La touche marquée du signe - permet de diminuer la température demandée. La touche marquée du signe + permet d'augmenter la température demandée.

La température demandée apparaît sur l'afficheur de la télécommande (5).



Airwell DLS VAV SYSTEM



Instrucciones de Instalación y Uso VAV SYSTEM

Index:

1. Instrucciones de Seguridad	47
2. Advertencia	47
3. Conexiones Eléctricas	48
4. Pantalla y uso de la Unidad Receptora Infrarroja	50
5. Consideración de la ubicación del mando a distancia	50
6. Consideración de Localización de Pantalla	50
7. Conexión de cables entre motores del regulador de tiro y VAV SYSTEM cotrolador.	51
8. Definición del regulador de tiro y utilización de canales #1 y #2	51
9. Conexión de cables entre pantallas del aire acondicionado y VAV SYSTEM controlador.	52
10. Cable de conexión entre el VAV SYSTEM controlador y controlador del aire acondicionado.	53
11. Definición de Interruptores de Inmersión.	54
12. Funcionamiento cuando Zone Controller NO está conectado al Aire acondicionado.	55
13. Conexión a Mando a Distancia Utilizado con Cable – (RCW).	56
14. Grills system Block Diagram	57
15. Dampers system Block Diagram.	58
16. Resolución de problemas	59
17. Números de parte de los elementos del sistema	60
18. Instrucciones de funcionamiento para unidad de aire acondicionado con sistema VAV SYSTEM.	61
19. Operation with Remote control	62
20. Definir el código de identificación individual para cada mando a distancia .	64

VAV SYSTEM - Instrucciones de Instalación del Sistema

Atención

No instale el sistema en un lavadero o baño, donde la condensación podría caer del techo.

Herramientas requeridas

1. Destornillador.
2. Taladro de Mano.
3. Mecha de 6 mm.

Instrucciones de Seguridad

- Preste atención a los símbolos de advertencia en el documento.
- Verifique que la unidad de aire acondicionado a ser controlada por el sistema VAV, esté instalada y lista para su uso.
- La instalación del sistema debe ser realizada de acuerdo con las normas locales y todos los códigos correspondientes.
- Es responsabilidad del contratista de instalación determinar y cumplir con todos los códigos y normas correspondientes.
- El instalador debe ser un técnico con experiencia, capacitado para la instalación de este tipo de equipos.

Advertencia

- Para evitar electrochoques o daños en el equipo, desconecte el suministro de energía antes de instalar y mantener el sistema.
- El instalador debe ser un técnico con experiencia capacitado para la instalación de este tipo de equipos.
- Antes de encender, lea todas las instrucciones de seguridad en este manual y familiarícese con el sistema y su funcionamiento.
- Una instalación que no haya sido realizada por un profesional puede producir electrochoques y problemas de funcionamiento.
- Asegúrese de conectar el cable de energía principal de 230 VAC de la caja de control VAC a las conexiones terminales de 230 VAC a la unidad de aire acondicionado.
- (Tenga cuidado cuando se estén utilizando unidades de 3 fases. Debe conectar entre Fase y Neutral).
- El uso de una línea de alta tensión o el enchufe que no esté hecho para este tipo de instalación, puede producir un cortocircuito e incendio. Ante cualquier pregunta o aclaración, por favor, siga las instrucciones en este documento.
- No utilice cables de alimentación dañados, cables que estén formados por segmentos de cables o que estén conectados a un alargue.

- Tenga cuidado de cerrar la tapa metálica del controlador VAV.
- No instale el sistema en un área donde pueda haber pérdidas de gas.
- Todos los elementos del sistema son solo para su uso dentro del edificio.
- Si el cable de alimentación está dañado - solo debe ser remplazado por un técnico de la fábrica

Conexiones Eléctricas

Instrucciones Generales:

Utilice el cable de alimentación conectado a la caja de control VAV y siga los códigos y normas locales de instalación eléctrica.

1. Exponga los filamentos de los cables para conectar al bloque terminal del aire acondicionado.
2. Conecte los 3 cables de alimentación a las terminales en la unidad interior.
3. Conecte el cable de alimentación al cable de la línea de alta tensión con arrollamientos de unión.

¡Advertencias!

No extienda el cable de alimentación o cualquier otro cable en el sistema.

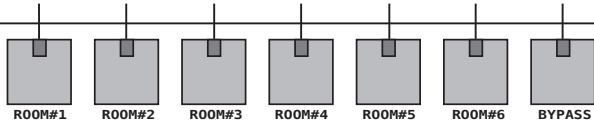
Seleccione el diagrama eléctrico adecuado según el tipo de aire acondicionado.

El controlador debe estar conectado solo de acuerdo al diagrama eléctrico de la unidad de aire acondicionado instalada.

¡Advertencias!

- El sistema debe instalarse según las instrucciones en este documento.
- Si los elementos del sistema no son utilizados según las instrucciones en este documento, la garantía no será válida.
- Una instalación no realizada por un profesional y/o daños a los elementos del sistema cancelarán la garantía.
- No se permite reparación de campo para ningún elemento del sistema.
- No se permite la reparación de elementos de sistema.
- Las reparaciones realizadas por personal no autorizado cancelarán la garantía.
- El accionamiento por línea de suministro no estándar y no aprobado por la empresa de electricidad, tal como el funcionamiento desde el generador o un edificio que no haya sido conectado por la empresa de electricidad invalidará la garantía.

Software Ver. C850-02-A11
C850-EU



Danger
Electric shock
risc

WARNING:
Disconnect main power supply
before any system maintenance.

1=ON	>>>2X10"	For Damper
2=ON	>>>2X8"	system only
1=OFF	>>>1X10"	[40 cm X 15 cm
2=ON	>>>1X8"	And 50 cm X 15 cm]
1=OFF	>>>1X8"	[30 cm X 15 cm]
2=OFF		

Airwell

ZONE - CONTROLLER

DLS VAV SYSTEM

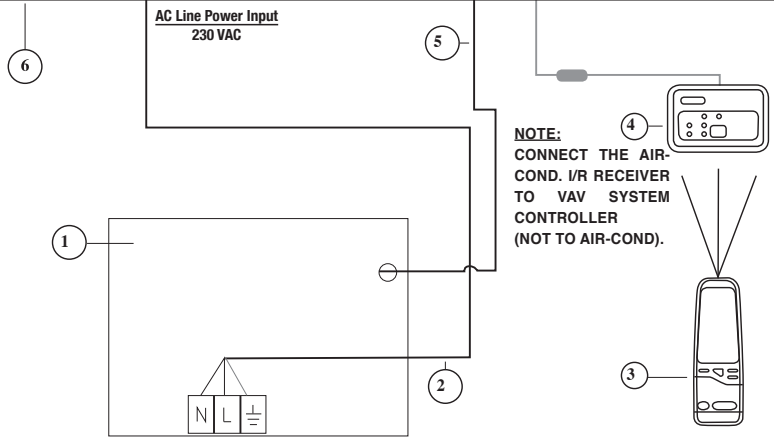
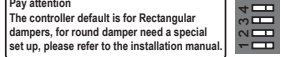
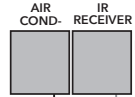
DIP #1,#2 - BYPASS PROFILE
DIP #3 - PARALLEL OPERATION ROOM #1+#2
FROM ONE IR RECEIVER AT ROOM #1.
DIP #4 - ROUND OR RECTANGULAR DAMPER.

Pay attention
The controller default is for Rectangular
dampers, for round damper need a special
set up, please refer to the installation manual.

FUSE
0.3 Amps, 250 VAC



POWER LINE INPUT
~230VAC/50HZ



1. Controlador de la unidad interior
2. Cable de suministro eléctrico
3. Mando a distancia
4. Pantalla del aire acondicionado
5. Cable de conexión entre el aire acondicionado y el controlador Min Max +
6. Controlador Min Max +

Pantalla y uso de la Unidad Receptora Infrarroja.

Consideración de Localización de Pantalla

Se recomienda montar la pantalla cerca del techo donde la temperatura ambiente es normal.

Instale la pantalla para que combine con la decoración de la sala.

La pantalla debe montarse a nivel de visibilidad con el mando a distancia.

La pantalla debe montarse a no más de 7 metros del mando a distancia.

No monte la pantalla en un lugar donde la luz solar, fluorescente, halógena u otro tipo de luz artificial sea expuesta directamente sobre la pantalla.

La pantalla está conectada al motor del regulador de tiro por medio de un cable de comunicación tipo RJ11-4.

Montaje de la pantalla en la pared.

Utilice un taladro de mano eléctrico para perforar un orificio de 6 mm en la pared para el anclaje de plástico.

Abra la parte trasera de la pantalla y marque la ubicación del orificio.

Utilice el tornillo suministrado para montar la parte trasera de la pantalla en la pared.

El cable de comunicación RJ11-4 conecta la pantalla al motor del regulador de tiro. El cable tiene

6 metros de largo y envía los datos de la pantalla al motor del regulador de tiro.

Asegúrese de conectar bien (hasta el fin) el conector del lado del regulador de tiro.

Consideración de la ubicación del mando a distancia

Tenga cuidado de montar el soporte del mando a distancia en nivel de visibilidad de la pantalla y en no más de 7 metros entre el soporte y la pantalla.

Se recomienda montar el soporte en la pared solo después de accionar el regulador de tiro y hacer algunas pruebas con el mando a distancia para asegurarse de que la ubicación seleccionada es adecuada para la transmisión de las señales infrarrojas entre el mando a distancia y la pantalla.

Conexión de cables entre motores del regulador de tiro y VAV SYSTEM controlador.

- El motor del regulador de tiro se conecta directamente al controlador con el cable tipo RJ45 de 3 metros de largo.
- Tenga cuidado de colocar el enchufe en la toma del lado del motor hasta el final para permitir una buena conexión eléctrica.
- NO está permitido extender este cable.

Definición del regulador de tiro y utilización de canales #1 y #2.

Cerca de los conectores de los canales #1 y #2, encontrará interruptores de inmersión que le permiten seleccionar el tamaño de los reguladores de tiro conectados a cada canal.

Interruptor de inmersión #1 selecciona el tamaño del regulador de tiro 6", 8" u 10". (160mm, 200mm, 250mm)

Interruptor de inmersión #1 APAGADO = 6" u 8". u 30 mm x 15 mm Rejilla Rectangular.

Interruptor de inmersión #1 ENCENDIDO = 10". u 40 mm x 15 mm / U 50 mm x 15 mm Rejilla Rectangular.

Interruptor de inmersión #2 define si uno o dos reguladores de tiro se conectan al canal.

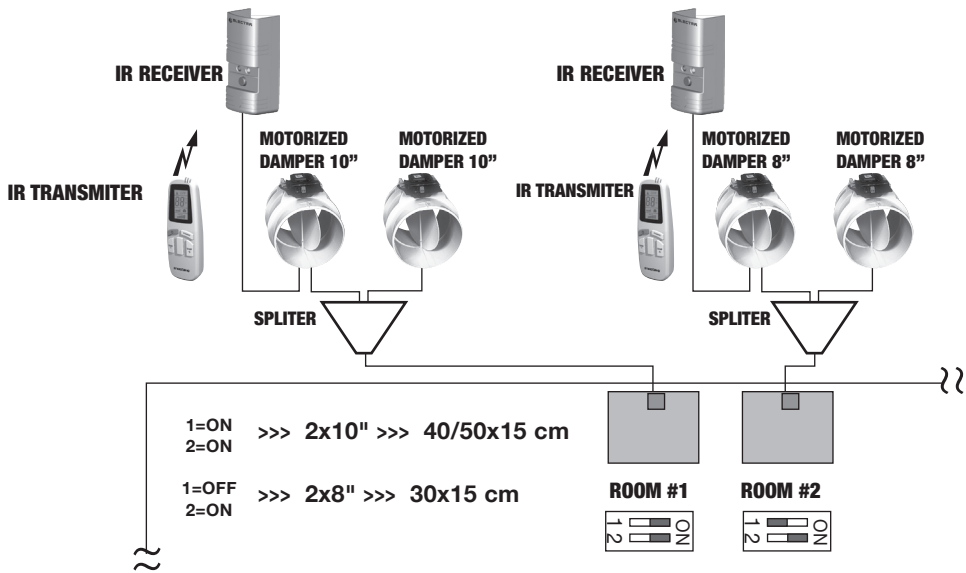
Interruptor de inmersión #2 APAGADO = Un regulador.

Interruptor de inmersión #2 ENCENDIDO = Dos reguladores.

Interruptor de inmersión #2 ENCENDIDO = No se utiliza con rejilla rectangular.

Canal #1 está configurado de fábrica en 10".

Interruptor de inmersión #1	Interruptor de inmersión #2	Reguladores de tiro	Rejilla Rectangular.
ENCENDIDO	ENCENDIDO	2 reguladores tamaño 10"	----
APAGADO	ENCENDIDO	2 reguladores tamaño 8"	----
ENCENDIDO	APAGADO	Un regulador tamaño 10"	Un rejilla Rectangular 40 cm X 15 cm u 50 cm X 15 cm
APAGADO	APAGADO	Un regulador tamaño 8"	Un rejilla Rectangular 30 cm X 15 cm



Conexión de cables entre pantallas del aire acondicionado y VAV SYSTEM controlador.

El acondicionador de aire está provisto de un receptor infrarrojo y un cable de conexión de 7 metros de largo.

Este cable original se utiliza para conectar la pantalla al controlador del aire acondicionado.

Es posible recibir dos tipos diferentes de conectores con la unidad de aire acondicionado.

- Tipo cuadrado - conector ePAD.
- Tipo redondo - conector 8 DIN .

Aire acondicionado con Tipo Cuadrado - conector ePAD connector

Dentro de la caja de cartón de VAV SYSTEM encontrará un cable de 7 metros de largo. Utilice este cable entre el VAV SYSTEM y su visualizador de acondicionamiento de aire.

En el VAV SYSTEM, enchúfelo al conector marcado “Pantalla”

En la caja del controlador VAV SYSTEM encontrará dos medios cilindros. (Color negro) Son parte de un filtro de cables.

Por favor, coloque las dos medias cilindros en el cable entre la pantalla del aire acondicionado al controlador VAV SYSTEM.

Los dos medios cilindros deben cerrarse en el cable redondo con los broches a los lados.

Aire acondicionado con Tipo Redondo - conector 8 DIN

Este cable original se utiliza para conectar la pantalla al controlador del aire acondicionado.

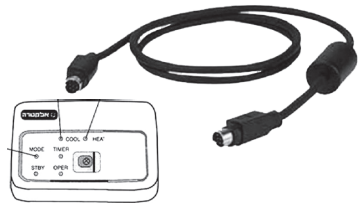
Cuando se utiliza el sistema de Control de Zona VAV SYSTEM este cable debe conectarse de la pantalla del aire acondicionado al VAV SYSTEM controlador. Por favor conecte al enchufe marcado “Pantalla”.

En la caja del controlador VAV SYSTEM encontrará dos medios cilindros. (Color negro) Son parte de un filtro de cables.

Por favor monte las dos mitades en el cable original de la pantalla al controlador VAV SYSTEM.

Los dos medios cilindros deben cerrarse en el cable redondo con los broches a los lados.

Coloque el enchufe con la flecha apuntando hacia arriba a la toma en el VAV SYSTEM controlador.



AIR COND. IR RECEIVER

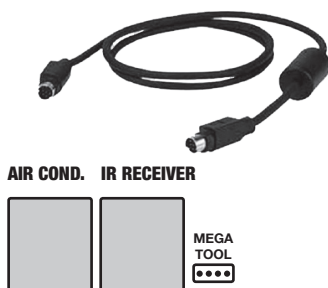


(Ver esquema de conexión al final de este documento).

Cable de conexión entre el VAV SYSTEM controlador y controlador del aire acondicionado

Es posible recibir dos tipos diferentes de conectores en este cable.

- Tipo cuadrado - conector ePAD.
- Tipo redondo - conector 8 DIN .



Tipo cuadrado - conector ePAD

Cuando se utiliza el conector Tipo Cuadrado ePAD, utilice el cable original del aire acondicionado para conectar entre el VAV SYSTEM y el controlador de aire acondicionado.

Al costado del VAV SYSTEM, enchúfelo al conector marcado “Aire acondicionado”

Tipo redondo - conector 8 DIN

Se proporciona con el sistema un cable adicional with con conectores redondos tipo Mini 8 DIN o conector cuadrado tipo ePAD.

Este Cable debe conectarse entre el VAV SYSTEM controlador y el controlador del aire acondicionado.

En el VAV SYSTEM lado, conecte a la toma marcada con “Acondicionamiento de Aire”.

Coloque el enchufe con la flecha hacia arriba.

Derivación y perfiles de trabajo

El motor de derivación se conecta directamente el VAV SYSTEM controlador a la toma marcada Bypass.

No hay conexión de receptor I/R al motor de derivación.

El perfil de apertura de derivación puede seleccionarse con los dos interruptores de inmersión 31 y 32 localizados en la parte inferior derecha del VAV SYSTEM controlador.

La configuración de fábrica es Int #1 = APAGADO, Int #2 = APAGADO.

En casos de instalación especial, póngase en contacto con el departamento de servicio para la mejor selección del perfil.

Definición de Interruptores de Inmersión

Int. #1 - Define el perfil de derivación. Funcionamiento normal = APAGADO.

Int. #2 - Define el perfil de derivación. Funcionamiento normal = APAGADO.

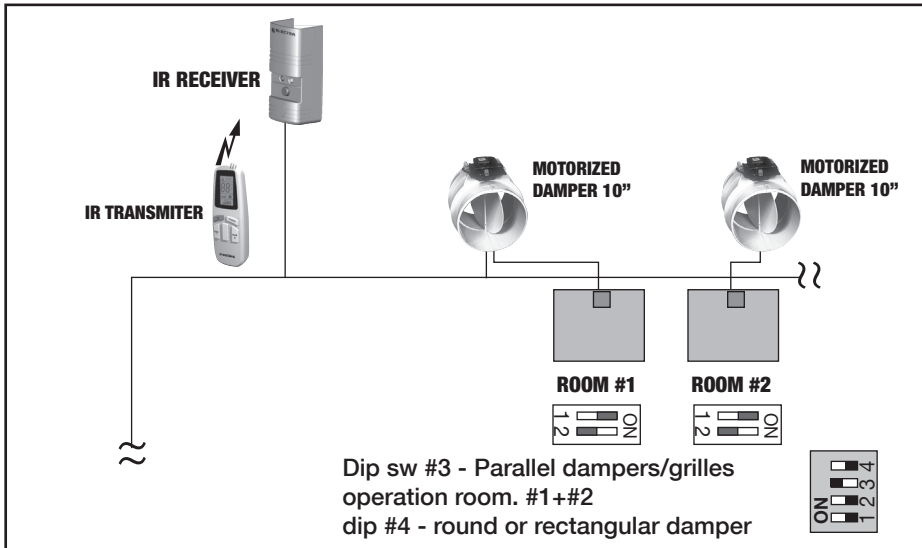
Int. #3 - Define el funcionamiento del canal #2 en paralelo con el canal #1.

El mando a distancia del canal #1 controlará tanto el Canal #1 como el #2.

Para activar, Int. #3 = ENCENDIDO.

Int.#4 - Define el uso de Reguladores redondos o rejillas rectangulares.

Reguladores redondos = APAGADO, Rejillas rectangulares = ENCENDIDO.



Funcionamiento cuando Zone Controller NO está conectado al Aire acondicionado

Cuando el VAV SYSTEM controlador no está conectado al aire acondicionado, todos los reguladores y rejillas estarán totalmente abiertos.

Los reguladores y rejillas permanecerán abiertos, sin importar que orden reciban del mando a distancia.

La indicación de esta situación, la luz LED verde en cada receptor I/R parpadeará cada medio segundo. (Medio segundo ENCENDIDO y medio segundo APAGADO)

Funcionamiento en Modo Solo Ventilación (Fan Only)

- Cuando el aire acondicionado recibe la orden de Solo Ventilación, el VAV SYSTEM Control de zona funcionará del mismo modo que en el modo FRÍO (COOL).

Funcionamiento en modo DESHUMIDIFICADOR (DRY)

- Cuando el aire acondicionado recibe la orden DESHUMIDIFICADOR , el VAV SYSTEM Control de zona funcionará del mismo modo que en el modo FRÍO (COOL).

Funcionamiento en modo AUTO

Cuando el aire acondicionado recibe la orden AUTO, el VAV SYSTEM Control de zona abrirá todos los reguladores en su posición máxima.

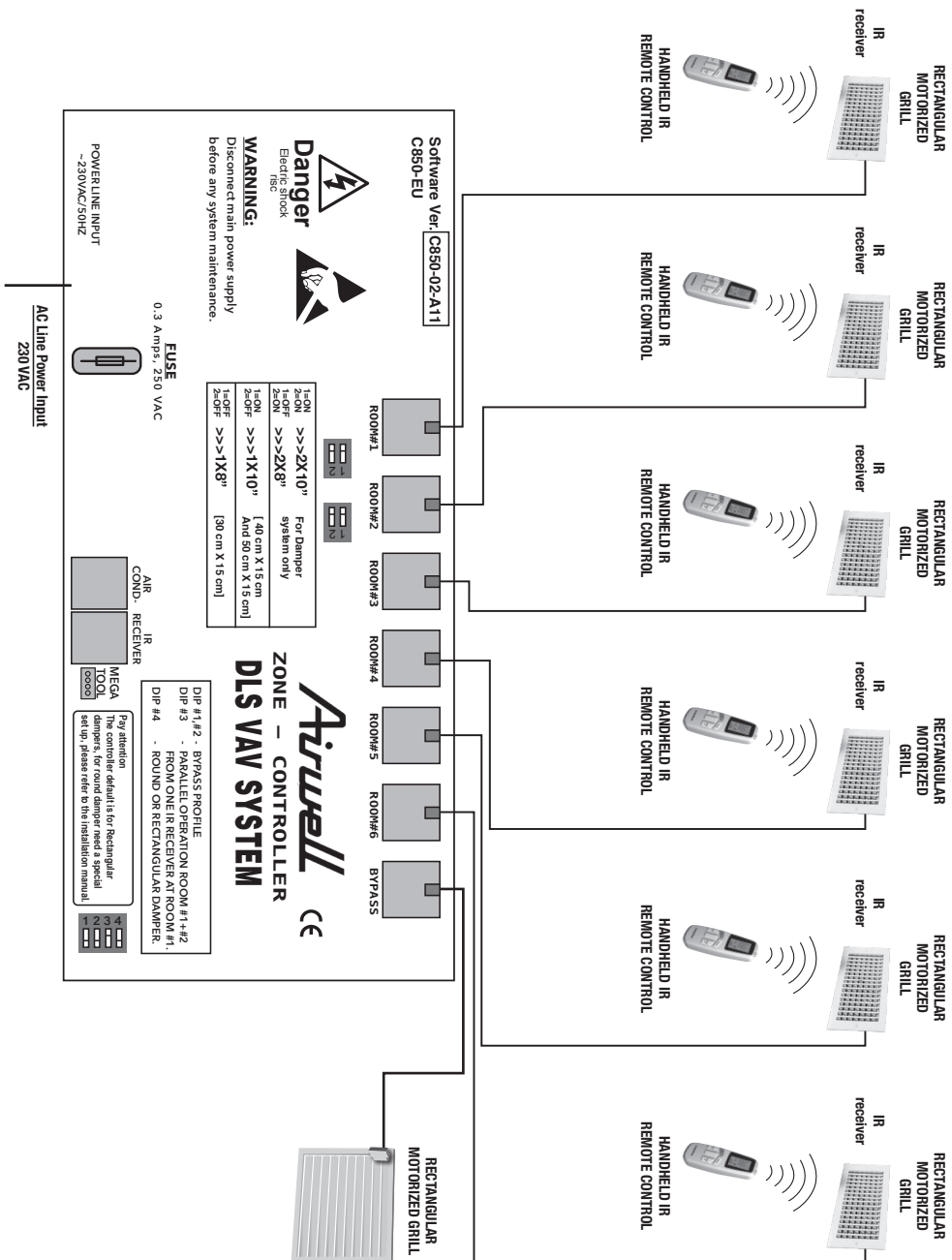
A excepción de aquellos que hayan recibido la orden APAGAR (OFF) del mando a distancia.

Conexión a Mando a Distancia Utilizado con Cable – (RCW)

Es posible utilizar un mando a distancia con cable con la unidad de control de aire acondicionado.

- Conecte el Mando a Distancia (RCW) al enchufe específico en el controlador de aire acondicionado.
- Conecte el controlador VAV SYSTEM al controlador de aire acondicionado utilizando el cable suministrado con el controlador VAV SYSTEM.
 - Puede ser un cable con conectores DIN 8 redondos.
o
 - Cable con conectores ePAD cuadrados.

Diagrama de bloques del sistema de rejillas



Resolución de problemas

	Problema	Solución
1	Hay necesidad de Refrigeración o Calefacción en una de las salas pero la unidad del aire acondicionado no enciende?	<ul style="list-style-type: none"> • Verifique que el panel de funcionamiento del aire acondicionado esté ENCENDIDO (ON). • Verifique que la necesidad de la sala sea la misma en el aire acondicionado. (Frio - Frio o Calor - Calor)
2	No hay necesidad en todas las salas o los mandos a distancia están APAGADOS pero el aire acondicionado no se detiene?	<p>Verifique que todas las salas estén cerradas.</p> <ul style="list-style-type: none"> • Verifique la conexión del cable entre el receptor I/R del aire acondicionado y el VAV SYSTEM controlador. • Verifique la conexión del cable del controlador VAV SYSTEM al controlador del Aire Acondicionado.
3	LED de canal en el controlador VAV SYSTEM está APAGADO	Es una situación normal cuando el regulador/rejilla o receptor I/R no están conectados al canal.
4	LED de motor en el VAV SYSTEM controlador está APAGADO	<ul style="list-style-type: none"> • Indicación de que el motor no está conectado al controlador. • El cable RJ45 está dañado.
5	En todos los receptores I/R la luz LED está parpadeando.	Indica que el sistema VAV SYSTEM no está conectado al aire acondicionado.
6	La velocidad del motor del ventilador cambia a BAJA (LOW).	Funcionamiento normal en demanda mínima, una situación en la que solo está abierto un regulador.
7	La luz del receptor I/R no ENCIENDE.	<ul style="list-style-type: none"> • Verifique la conexión del cable RJ11 al motor. • Verifique la conexión del motor al controlador.
8	El receptor I/R está ENCENDIDO pero el regulador/rejilla no abre.	Verifique que el control remoto tenga demanda según el modo de operación del aire acondicionado.
9	Regulador o Rejilla no abre ni Cierra	<ul style="list-style-type: none"> • Verifique que la dirección de identificación del control remoto sea 00. • Verifique conexiones cruzadas entre receptor I/R en un canal al motor de otro canal en otra sala. El receptor I/R y motor de cada sala deben estar conectados.
10	Derivar el regulador para que no funcione.	Verifique la conexión del cable entre el motor de derivación y el controlador VAV SYSTEM.
11	El regulador o rejilla está abierto pero el mando a distancia solicita el cierre.	Verifique que el mando a distancia y el receptor I/R puedan verse. Si no hay vista, el regulador se abrirá a la posición 2/3 después de 30 minutos.

Números de parte de los elementos del sistema

Ítem	Descripción	Número de Parte del Producto
1	Kit VAV del controlador principal	3PA139100
2	Kit de regulador Redondo Motorizado (D = 150 mm)	CMR7150
3	Kit de regulador Redondo Motorizado (D = 200mm)	CMR7200
4	Kit de regulador Redondo Motorizado (D = 250mm)	CMR7250
5	Kit de regulador Redondo de Derivación Motorizado (D = 200mm)	CMR8200
6	Kit de regulador Redondo de Derivación Motorizado (D = 250mm)	CMR8250
7	Kit de rejilla motorizada (30cm x 15cm)	CMG71530
8	Kit de rejilla motorizada (40cm x 15cm)	CMG71540
9	Kit de rejilla motorizada (50cm x 15cm)	CMG71550
10	Kit de regulador de derivación motorizado (40cm x 15cm)	COB71540
11	Kit de regulador de derivación motorizado (50cm x 15cm)	COB71550
12	Perfil de marco para la rejilla 150mm	CGF 150
13	Perfil de marco para la rejilla 330mm	CGF 300
14	Perfil de marco para la rejilla 400mm	CGF 400
15	Perfil de marco para la rejilla 500mm	CGF 500

Instrucciones de funcionamiento para unidad de aire acondicionado con sistema VAV SYSTEM.

El mando a distancia del aire acondicionado con el receptor I/R permite el funcionamiento del sistema.

Todo el sistema puede funcionar en los siguientes modos:

- Frío - Establezca la temperatura en el mando a distancia para que sea la misma requerida en las salas.
- Calor - Establezca la temperatura en el mando a distancia para que sea la misma requerida en las salas.
- Solo Ventilación - El sistema de control de zona actuará del mismo modo que en el modo Frío.
- Deshumidificación - El sistema de control de zona actuará del mismo modo que en el modo Frío.
- Auto - No utilice este modo de funcionamiento.
- Si se selecciona el modo Auto, el sistema de control de zona abrirá todos los reguladores al máximo a excepción de las salas APAGADAS. El control de zona no funciona en las salas.
- Cuando el sistema no se está utilizando, APAGUE todos los mandos a distancia en cada sala.

Nota: Cuando el sistema cambia automáticamente la velocidad del ventilador a velocidad baja, sonará un pitido. Este sonido es normal ya que el sistema indica la reducción de la velocidad para equilibrar el flujo de aire en los conductos.

Instrucciones de Operación

Sistema Personal de Control de Temperatura

GENERAL

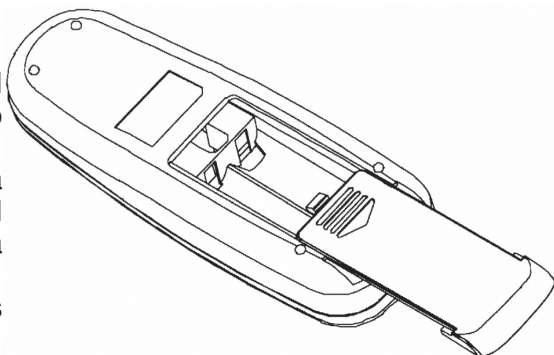
- El Sistema DLS VAV se conecta a sistemas de aire acondicionado centralizado con el propósito de facilitar control independiente de la temperatura de una habitación para el confort de sus ocupantes y desconexión del suministro de aire hacia habitaciones desocupadas a fin de ahorrar energía.
- Este sistema incluye un regulador eléctrico de aire, un dispositivo de control remoto y un sensor en cada habitación. Dicho regulador controla la cantidad de aire acondicionado introducido a la habitación, mientras que el sistema establece la temperatura de la habitación mediante la apertura y el cierre del regulador, de acuerdo al requerimiento.
- El estado de la operación de acondicionamiento, enfriamiento o calefacción, es determinado por el acondicionador mismo.
- El alcance del control remoto es de hasta 7 metros.
- Para transmitir órdenes, hay que apuntar el control remoto hacia el sensor electroóptico. Asegúrese de que el control remoto apunte directamente hacia el sensor, sin que haya objeto obstructor alguno de por medio.
- El sensor reacciona a señales transmitidas desde el control remoto. La señal de haber recepción es el centelleo de las lamparitas del sensor.
- El sensor y el control remoto no deben ser expuestos a la luz solar o a una lámpara de luz fluorescente. Tampoco deben ser expuestos a ninguna otra fuente de calor.
- No se debe depositar el control remoto en un lugar expuesto al flujo de aire que sale por la rejilla de impulsión. Míse en place de la pila

INSERCIÓN DE PILAS

En el lado posterior del control remoto se halla el compartimiento de las pilas.

Deslice hacia abajo la tapa e introduzca las pilas en el compartimiento, según la ilustración.

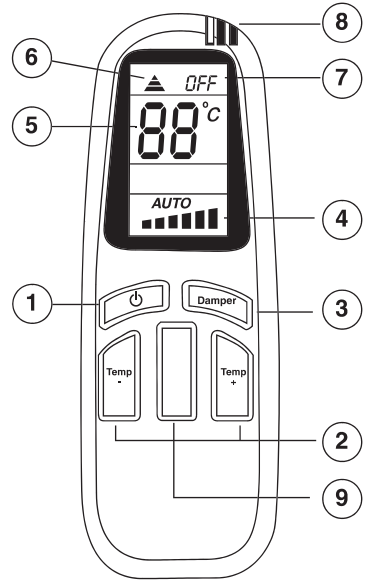
Hay que utilizar un par de pilas alcalinas de tamaño AAA.



FUNCIONAMIENTO DEL MANDO

A DISTANCIA

1. Pulsador On/Off
2. Pulsadores de aumento y de reducción de la temperatura
3. Pulsador de elección del modo de funcionamiento manual / automático
4. Visualizador del modo de funcionamiento
5. Visualizador de la temperatura deseada
6. Indicador de transmisión
7. Indicador de estado apagado
8. Sensor de temperatura
9. Pulsador inactivo



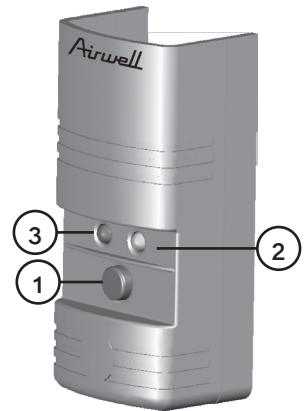
Hay dos posibilidades de Visualización y Uso. Para los reguladores redondos tenemos el alojamiento plástico del receptor. Para las rejillas rectangulares el receptor I/R y el indicador LED verde en el marco de la rejilla.

UNIDAD DE VISUALIZACIÓN Y OPERACIÓN (SENSOR)

Reguladores redondos

La unidad de sensor incluye lamparitas y un pulsador, los cuales facilitan operación manual cuando el control remoto se halla estropeado o extraviado (caso de emergencia).

1. Pulsador de emergencia Este pulsador debe ser utilizado cuando el control remoto no funciona, cuando se halla extraviado o cuando la potencia de las pilas es baja. Al oprimir el pulsador (1) una vez, el regulador se abrirá hasta un tercio y la lucecita verde (2) se encenderá. Al oprimir por segunda vez, el regulador se cerrará y la lucecita verde



2. se apagará. 2. Lucecita (verde) de funcionamiento

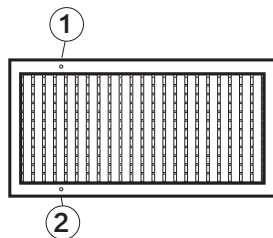
Esta lucecita indica que el regulador se halla en estado de funcionamiento. El centelleo de la lucecita (2) indica recepción de una transmisión del control remoto.

3. Lucecita (roja) de espera Esta lucecita indica que el regulador se encuentra en estado de espera pero no funciona

Rejilla Rectangular

1. El receptor infrarrojo se encuentra en el 1. marco de la rejilla .se encuentra en el marco de la rejilla (verde)La luz indicadora

2. (Verde)de Funcionamiento Luz .indica que la rejilla está funcionando ,Cuando la luz está en modo ENCENDIDO .indica la recepción de la transmisión del mando a distancia ,Cuando la luz parpadea



Definir el código de identificación individual para cada mando a distancia

Los mandos a distancia son suministrados por la fábrica con la dirección de identificación "0". (Cero)

La dirección de identificación "0" permite el funcionamiento con los 6 canales.

En situaciones donde un mando a distancia funciona en más de una sala (interferencia cruzada), es posible seleccionar una dirección de identificación individual para cada control remoto. En este caso, cada control remoto funcionará solo en esa sala específica.

Las direcciones de identificación (ID) van de 00 a 07.

Canal No. 1 recibe ID 01.

Canal No. 2 recibe ID 02.

Canal No. 6 recibe ID 06.

Para seleccionar la dirección de identificación, asegúrese de que el mando a distancia esté encendido.

Presione al mismo tiempo los botones ON/OFF (Encendido/Apagado) y "+" por 6 segundos.

En la pantalla aparecerán los números "00". ("00" es la dirección por defecto que funciona en todos los canales).

Con los botones arriba "+" y abajo "-" - seleccione la dirección requerida.

Después de encontrar la dirección de identificación requerida, presione el botón DAMPER para ingresar la nueva identificación en la memoria.

Luego de presionar el botón DAMPER, la pantalla volverá a mostrar la temperatura establecida y el mando a distancia volverá a su funcionamiento normal.

Para asegurarse de que la nueva dirección de identificación fue seleccionada bien, envíe un a orden a la pantalla y vea que responda a esa orden.

USO DEL MANDO A DISTANCIA

Encendiendo / Apagando

Para encender el sistema en una habitación hay que oprimir el pulsador On/Off (1). Al oprimirlo, el visualizador del control remoto se iluminará y al mismo tiempo se encenderá la lucecita verde y se apagará la roja. El regulador funcionará de acuerdo al último estado en el cual se hallaba antes de ser apagado. Al oprimir de nuevo el pulsador On/Off (1), se suspenderá la acción de acondicionamiento de aire en la habitación.



Fijando el Estado de Funcionamiento

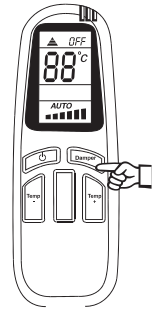
Se fija la operación del regulador mediante el pulsador de estado de funcionamiento (3). Existen cuatro estados:

■ Estado Manual 1 – En este estado el regulador se abrirá hasta un tercio del flujo de aire, independientemente de la temperatura.

■ Estado Manual 2 – En este estado el regulador se abrirá hasta dos tercios del flujo de aire, independientemente de la temperatura.

■ Estado Manual 3 – En este estado el regulador se abrirá totalmente.

AUTO Estado Automático – En este estado el regulador se abrirá de manera automática y proporcional a la diferencia entre la temperatura deseada y la temperatura ambiente. Es recomendable elegir este estado en condiciones de operación normal.



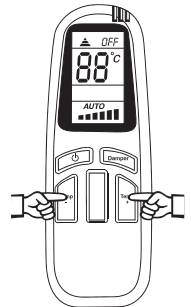
Seleccionando la Temperatura Deseada

Para elegir la temperatura deseada, actúe de la siguiente manera:

Mediante el pulsador -, se puede bajar la temperatura.

Mediante el pulsador +, se puede elevar la temperatura.

La temperatura deseada quedará expuesta en el visualizador del control remoto (5).



Airwell DLS VAV SYSTEM

