

**AQU@SCOP ADVANCE SPLIT DCI: BOILER RELIEF KIT**  
**AQU@SCOP ADVANCE SPLIT DCI: KIT RELEVÉ DE CHAUDIERE**  
**AQU@SCOP ADVANCE SPLIT DCI: BAUSATZ ABLÖSEN DES HEIZKESSELS**  
**AQU@SCOP ADVANCE SPLIT DCI: KIT CAMBIO DI CALDAIA**  
**AQU@SCOP ADVANCE SPLIT DCI: KIT RELEVO DE CALDERA**



**POWER SUPPLY MUST BE SWITCHED OFF BEFORE STARTING TO WORK IN THE ELECTRIC CONTROL BOX!**

**MISE HORS TENSION OBLIGATOIRE AVANT TOUTE INTERVENTION DANS LES BOITIERS ELECTRIQUES.**

**VOR JEDEM EINGRIFF AN DEN ANSCHLUSSKÄSTEN UNBEDINGT DAS GERÄT STROMLOS SCHALTEN!**

**PRIMA DI OGNI INTERVENTO SULLE CASSETTE ELETTRICHE ESCLUDERE TASSATIVAMENTE L'ALIMENTAZIONE!**

**PUESTA FUERA DE TNSIÓN OBLIGATORIA ANTES DE CUALQUIER INTERVENCIÓN EN LAS CAJAS ELÉCTRICAS!**



**X1**



**X1**



**X2**



**X1**

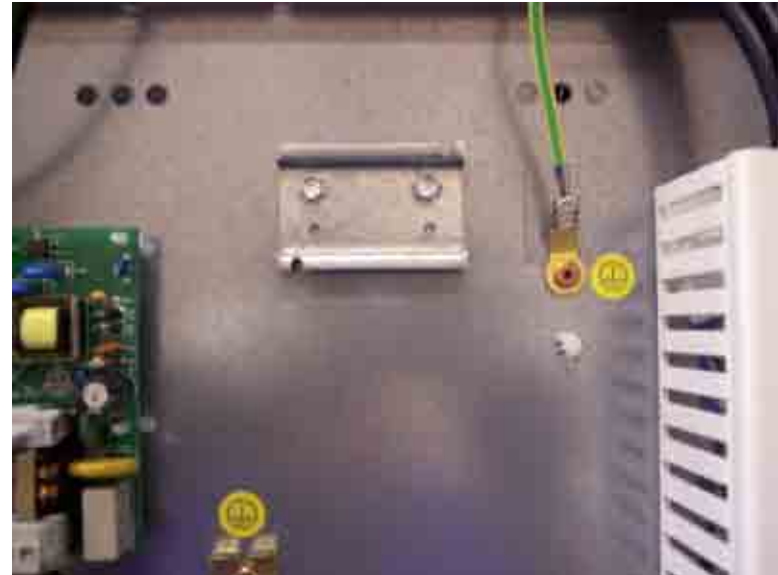
1



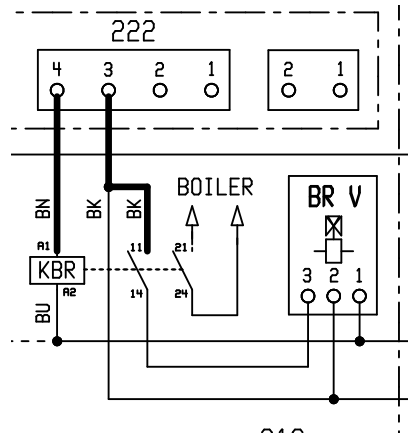
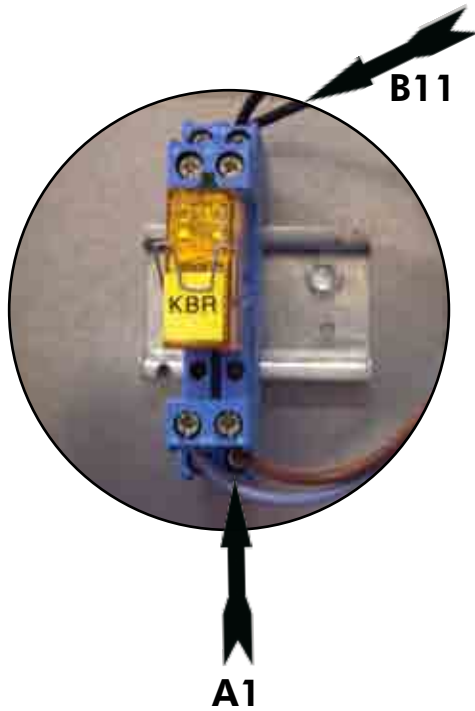
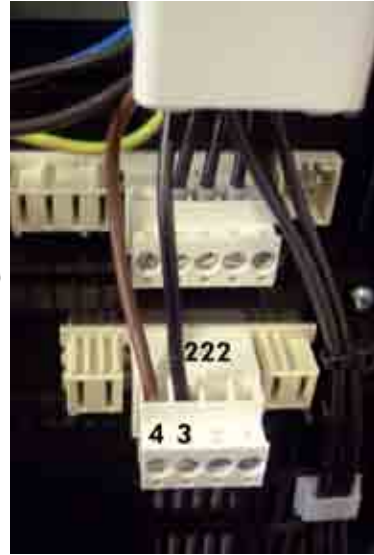
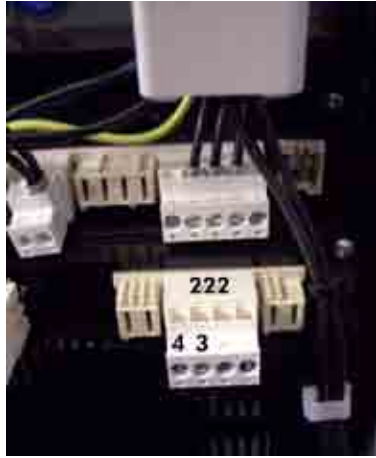
PROTECT ELECTRIC CABLES  
 PROTEGER LES CABLES  
 ELECTRIQUES  
 ELEKTROKABEL SCHÜTZEN  
 PROTEGGERE I CAVI  
 ELETRICI  
 PROTEGER LOS CABLES  
 ELECTRICOS



2



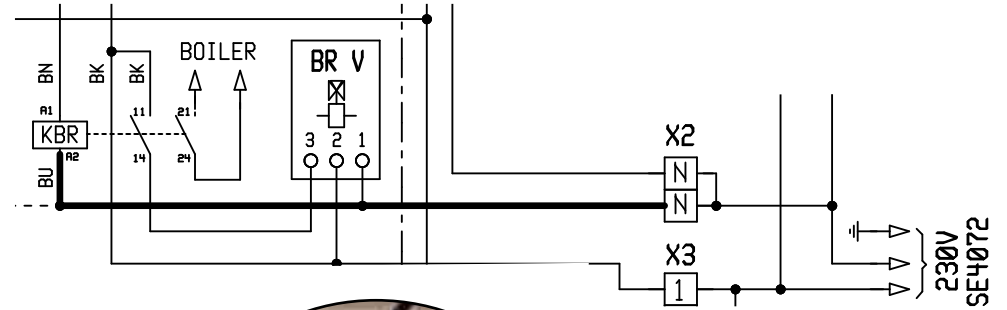
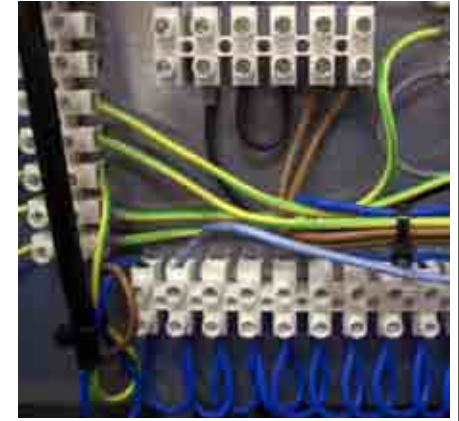
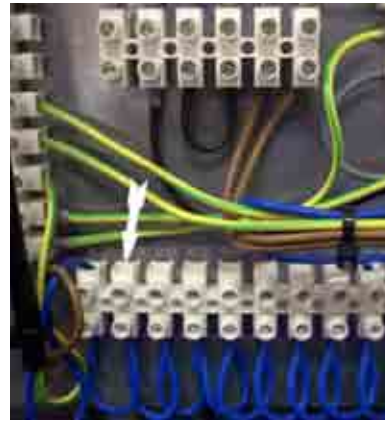
3



A1 → 222/4

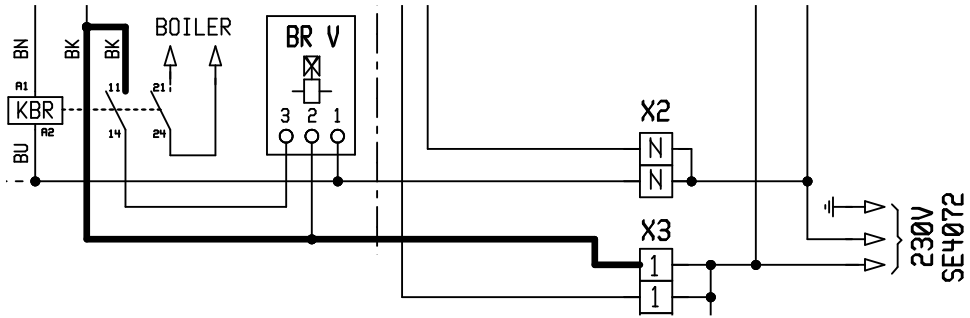
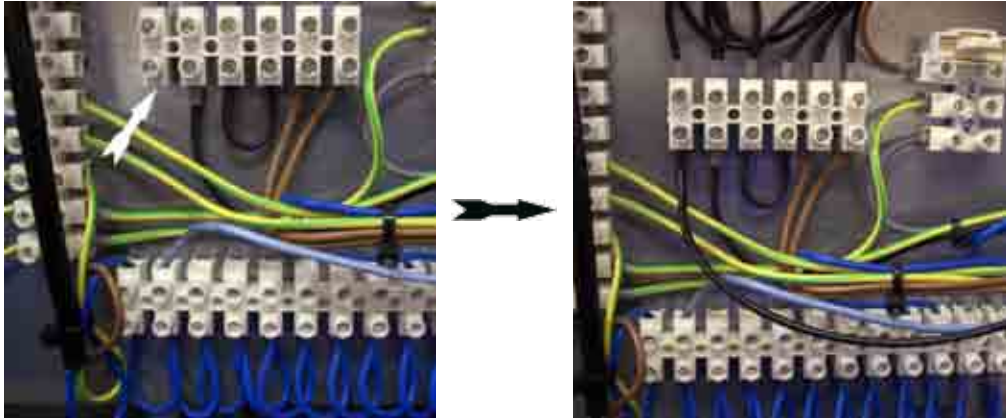
B11 → 222/3

4



A2 → X2/N

5



11

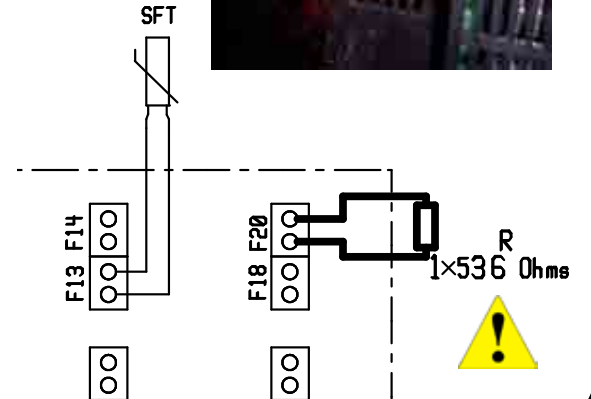


11 → X3/1

6



7



WIRING DIAGRAM	
AQU@SCOP ADVANCE SPLIT DCI-R	
SE 4073 A	3991192

----- OPTION

