



Airflow

AIRFLOW 2020

THERMODYNAMIC CMV DUAL FLOW



+ PRODUCTS

- Remote control included
- Excellent COP
- No handling of refrigerant
- Operates using 100% fresh air
- Compact unit

FEATURES



THE + «SUSTAINABLE DEVELOPMENT»

→ High performance product with COP > 7

THE + «USER»

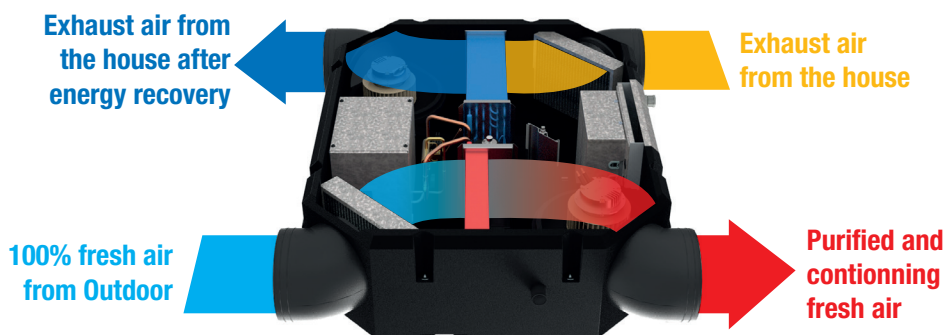
- Allows you to heat and cool your home without air conditioning
- Operates using 100% fresh filtered air

THE + «INSTALLER»

- Simple to install, thanks to its monobloc system
- This unit adapts to any type of home

THE + «TECHNOLOGY»

- Monobloc system
- Inverter technology



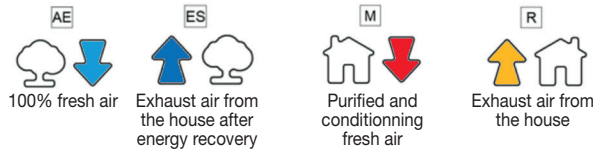
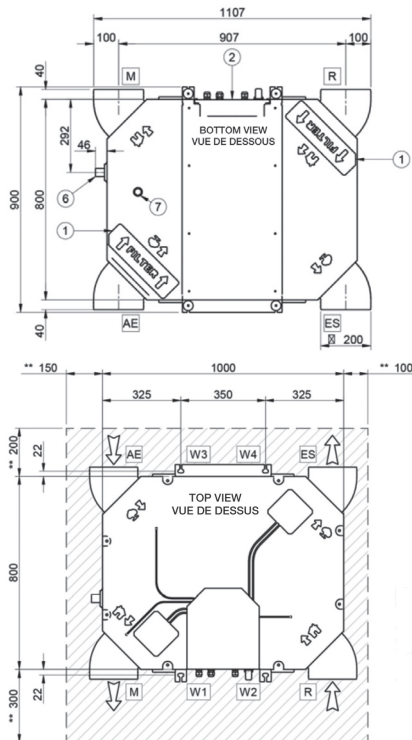
* Available during 2021.

Airwell
Just feel well

AIRFLOW TECHNICAL DATA

Model		AW-AIRFLOW250-N91					
Part number		7HP080005					
Phase		Single phase					
Airflow	m³/h	125	150	210	270	320	
HEATING MODE							
Outdoor Air +7°C Supply Air 20°C	Heating capacity	kW	1.42	1.55	1.86	2.05	2.49
	Power input	kW	0.46	0.42	0.45	0.42	0.54
	COP		3.09	3.69	4.13	4.93	4.61
Outdoor Air -5°C Supply Air 20°C	Heating capacity	kW	1.97	2.10	2.21	2.37	2.45
	Power input	kW	0.40	0.52	0.47	0.37	0.32
	COP		4.93	4.04	4.70	6.50	7.66
COOLING MODE							
Outdoor Air 35°C Supply Air 27°C	Cooling capacity	kW	1.57	1.64	1.73	1.92	2.07
	Power input	kW	0.36	0.52	0.53	0.55	0.81
	EER		4.34	3.15	3.26	3.50	2.56
Outdoor Air 30°C Supply Air 27°C	Cooling capacity	kW	0.92	1.38	1.47	1.72	2.07
	Power input	kW	0.36	0.52	0.48	0.54	0.81
	EER		2.56	2.65	3.06	3.21	2.77
PERFORMANCE							
Static Pressure	Nominal	Pa	50	50	50	50	50
	Max.	Pa	120	120	120	120	120
Sound power level		dB(A)	47	48	50	54	58
Sound pressure level (1)		dB(A)	34	35	37	41	45
OPERATING LIMITS							
Outdoor temperature	Cooling	°C	16/45				
	Heating	°C	-15/28				
POWER SUPPLY							
Phase/Voltage/Frequency			1P/230V/50Hz				
Max. current	A		5				
INSTALLATION & OTHERS							
Refrigerant	Type/GWP		R32/675				
	Charge	kg	0.3				
Outline dimensions (WxHxD)	mm	1107x290x900					
Package dimensions (WxHxD)	mm	1200x320x100					
Net weight/Gross weight	kg	44/73					

(1) The sound levels refer to the unit at full load, in the rated test conditions.



n°	Description
1	Removable panel for bottom to the air filter
2	Electrical panel
3	Power input
4	Keyboard connection
5	Auxiliary connection
6	Condensate drain connection
7	Emergency drain
W	Hanging brackets
AE	Fresh air intake
ES	Air exhaust
M	Ambient air distribution
R	Ambient air return

