

AIR CONDITIONER FLOOR CEILING

R410A



English

Indoor unit floor ceiling type FCD / TCD /DCF / FDM

CE



IT IS MANDATORY TO CUT OFF POWER SUPPLY BEFORE STARTING TO WORK IN THE ELECTRIC CASING BOXES.

GENERAL RECOMMENDATIONS

- Congratulations for having selected an our air conditioner.

SAFETY DIRECTIONS

- Follow the safety rules in force when you are working on your appliance.
- Installation and maintenance of the equipment must only be performed by qualified specialists in accordance with the rules of good workmanship and prevailing standards and instructions.
- Make sure that the power supply and its frequency are adapted to the required electric current of operation, taking into account specific conditions of the location and the current required for any other appliance connected with the same circuit.

WARNING

- Cutoff power supply before starting to work on the appliance. The manufacturer declines any responsibility and the warranty becomes void if these instructions are not respected.
- If you meet a problem, please call the Technical Department of your area.
- If possible, assemble the mandatory or optional accessories before placing the appliance on its final location.(see instructions provided with each accessory)
- In order to become fully familiar with the appliance, we suggest to read also our Technical Instructions.
- The information contained in these Instructions are subject to modification without advance notice.
- For appliances with supplementary heaters, the minimum clearance from the appliance to combustible is 50cm other wise, it will cause fire.

Important information for the used refrigerant

This product has the fluorinated gas which is listed in Kyoto protocol.

It is forbidden to release to air.


Refrigerant type: R410a Volume of GWP: 2088; tonnes CO2 equivalent

GWP=Global Warming Potential


Attention:

- The fluorinated greenhouse gases are contained in non-hermetically sealed equipment.
- Installs, services, maintains, repairs, checks for leaks or decommissions equipment and product recycling should be carried out by natural persons that hold relevant certificates.
- For equipment that contains fluorinated greenhouse gases in quantities of 5 tonnes of CO 2 equivalent or more, but of less than 50 tonnes of CO 2 equivalent: the leakage check should be performed at least every 12 months; or where a leakage detection system is installed, at least every 24 months.

PRECAUTIONS

 Danger	This sign warns of death or serious injury.
--	---

- Do not attempt to install this air conditioner by yourself.
- This unit contains no user-serviceable parts. Always consult authorized service personnel for repairs.
- When moving, consult authorized service personnel for disconnection and installation of the unit.
- Do not become excessively chilled by staying for lengthy periods in the direct cooling airflow.
- Do not insert fingers or objects into the outlet port or intake grilles.
- Do not start and stop air conditioner operation by disconnecting the power supply cord and so on.
- Take care not to damage the power supply cord.
- In the event of a malfunction (burning smell, etc.), immediately stop operation, disconnect the power supply plug, and consult authorized service personnel.
- If the power supply cord of this appliance is damaged, it should only be replaced by the authorized service personal, since special purpose tools and specified cord are required.
- The appliance is not intended for use by young children of infirm persons without supervision.
- Please pre-heat the air conditioner for at least 12 hours before operation. If use it for a long time, please keep the power on.

 Caution	This sign warns of damage to property.
---	--

- Provide occasional ventilation during use.
- Do not direct air flow at fireplaces or heating apparatus.
- Do not climb on, or place objects on, the air conditioner.
- Do not hang objects from the indoor unit.
- Do not set flower vases or water containers on top of air conditioners.
- Do not expose the air conditioner directly to water.
- Do not pull power supply cord.
- Turn off power source when not using the unit for extended periods.
- Check the condition of the installation stand for damage.
- Do not place animals or plants in the direct path of the air flow.
- Do not drink the water drained from the air conditioner.
- Do not use in applications involving the storage of foods, plants or animals, precision equipment, or art works.
- Connection valves become hot during Heating; handle with care.
- Do not apply any heavy pressure to radiator fins.
- Operate only with air filters installed.
- Do not block or cover the intake grille and outlet port.
- Ensure that any electronic equipment is at least one metre away from either the indoor or outdoor units.
- Avoid installing the air conditioner near a fireplace or other heating apparatus.
- When installing the indoor and outdoor unit, take precautions to prevent access to infants.
- Do not use inflammable gases near the air conditioner.

OPERATION TIPS

- Set a suitable room temperature; excessively low room temperature is not good for your health and wastes electricity. Avoid frequent setting of the temperature.
- During cooling, avoid direct sun. Keep curtains and blinds closed. Close doors and windows to keep the cool air in the room.
- Avoid generating heat or using of heating appliances while the air conditioner in cooling mode.
- Make sure that the air flap is positioned properly: horizontal flow in cooling and downward vertical flow for heating.
- Keep the room temperature uniform by adjusting the left/right vertical air blades.
- Position the air flap and the left/right air blades in such a manner as to prevent your body from being exposed directly to air drafts.
- During prolonged operation, ventilate the room occasionally by opening a window from time to time.
- In a power failure, the microprocessor memory is retained. When restarted, operation will be resumed in the last mode of operation. However, if the timer was used, the unit will be turned off by the timer only if the remote control is aimed at the unit. Otherwise the power failure will cause the timer data to be erased from the microprocessor memory.
- After turning on, allow more than 3 minutes for cooling, heating or dry operation to start.
- When DRY mode is used, make sure that the room temperature is between 20°C and 27°C. When used out of this range, the unit may protect itself and become inoperative.
- When COOL or DRY modes are used, make sure that the room's relative humidity is below 78%. If the unit is used for a prolonged periods of time in high humidity, moisture may form on the air outlet and drip down.
- Remote control signals may not be received if the indoor unit controls cover is exposed to direct sunlight or strong light. In such a case, block the sunlight or dim the lighting.
- The remote control is operative in a range of 8 meters. If you are out of range, the remote control may have difficulties in transmitting signals.

SUMMARY

DESCRIPTION

Installation/service tools.....5
Operating temperature range.....6
Dimensions of Indoor Unit6
Dimensions of Outdoor Units.....6

INSTALLATION

Location of the Indoor Unit7-8
Location of the Outdoor Unit.....9
Refrigerant Line10
Installation.....11
Electrical Connections13
Final Tasks.....15

INSTALLATION/SERVICE TOOLS

CAUTION

New Refrigerant Air Conditioner Installation

THIS AIR CONDITONER ADOPTS THE NEW HFC REFRIGERANT (R410A) WHICH DOES NOT DESTROY OZONE LAYER. R410A refrigerant is apt to be affected by impurities such as water, oxidizing membrane, and oils because the working pressure of R410A refrigerant is approx. 1.6 times of refrigerant R22. Accompanied with the adoption of the new refrigerant, the refrigeration machine oil has also been changed. Therefore, during installation work, be sure that water, dust, former refrigerant, or refrigeration machine oil does not enter into the new type refrigerant R410A air conditioner circuit.








To prevent mixing of refrigerant or refrigerating machine oil, the sizes of connecting sections of charging port on main unit and installation tools are different from those used for the conventional refrigerant units. Accordingly, special tools are required for the new refrigerant (R410A) units. For connecting pipes, use new and clean piping materials with high pressure fittings made for R410A only, so that water and/or dust does not enter. Moreover, do not use the existing piping because there are some problems with pressure fittings and possible impurities in existing piping.

Changes in the product and components

In air conditioners using R410A, in order to prevent any other refrigerant from being accidentally charged, the service port diameter size of the outdoor unit control valve (3 way valve) has been changed. (1/2 UNF 20 threads per inch)

- In order to increase the pressure resisting strength of the refrigerant piping, flare processing diameter and opposing flare nuts sizes have been changed. (for copper pipes with nominal dimensions 1/2 and 5/8)

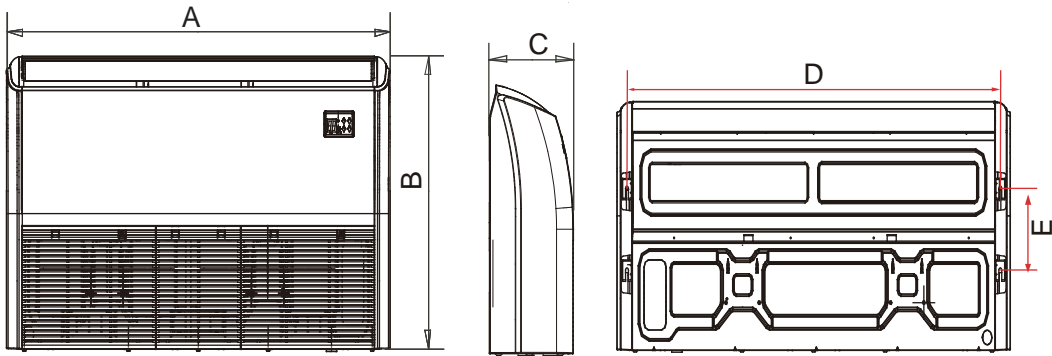
New tools for R410A

New tools for R410A	Applicable to R22 model	Changes
Gauge manifold	×	 As the working pressure is high, it is impossible to measure the working pressure using conventional gauges. In order to prevent any other refrigerant from being charged, the port diameters have been changed.
Charge hose	×	 In order to increase pressure resisting strength, hose materials and port sizes have been changed (to 1/2 UNF 20 threads per inch). When purchasing a charge hose, be sure to confirm the port size.
Electronic balance for refrigerant charging	○	 As working pressure is high and gasification speed is fast, it is difficult to read the indicated value by means of charging cylinder, as air bubbles occur.
Torque wrench (nominal dia. 1/2, 5/8)	×	 The size of opposing flare nuts have been increased. Incidentally, a common wrench is used for nominal diameters 1/4 and 3/8.
Flare tool (clutch type)	○	 By increasing the clamp bar's receiving hole size, strength of spring in the tool has been improved.
Gauge for projection adjustment	—	Used when flare is made by using conventional flare tool.
Vacuum pump adapter	○	 Connected to conventional vacuum pump. It is necessary to use an adapter to prevent vacuum pump oil from flowing back into the charge hose. The charge hose connecting part has two ports -- one for conventional refrigerant (7/16 UNF 20 threads per inch) and one for R410A. If the vacuum pump oil (mineral) mixes with R410A a sludge may occur and damage the equipment.
Gas leakage detector	×	 Exclusive for HFC refrigerant.

- Incidentally, the "refrigerant cylinder" comes with the refrigerant designation (R410A) and protector coating in the U.S's ARI specified rose color (ARI color code: PMS 507).
- Also, the "charge port and packing for refrigerant cylinder" requires 1/2 UNF 20 threads per inch corresponding to the charge hose's port size.

Indoor unit floor ceiling type

DIMENSIONS OF INDOOR UNIT

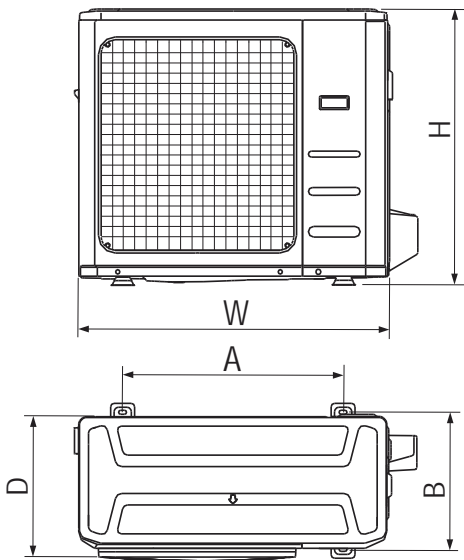


Unit: mm

	Model (KBtu/h)	A	B	C	D	E
DC INVERTER	18/24	1068	675	235	983	220
	30	1285	675	235	1200	220
	36/42/48/60	1650	675	235	1565	220

DIMENSIONS OF OUTDOOR UNITS

Unit: mm



INVERTER

CAPACITY (KBtu/h)	W	H	D	A	B
12	800	554	333	514	340
18	800	554	333	514	340
24	845	702	363	560	335
30/36/42	946	410	810	673	403
48/60	952	410	1333	634	404

Indoor Unit Installation

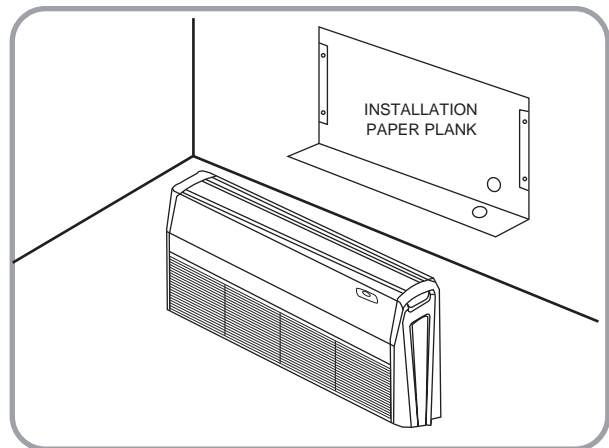
INSTALLATION INSTRUCTIONS

SELECTION OF INSTALLATION LOCATION.

- Such a place where is condensation water is easily drained out.
- Such a place that can handle the weight of indoor unit.
- Such a place which has easy access for maintenance.
- Such a place where is permitting easy connection with the outdoor unit.
- Such a place where is 1m or more away from other electric appliances such as television, audio device, etc.
- Avoid a location where there is heat source, high humidity or inflammable gas.
- Do not use the unit in the immediate surroundings of a laundry, a bath, a shower or a swimming pool.
- Be sure that the installation conforms to the installation dimension diagram.
- The space around the unit is adequate for ventilation

CAUTION FOR INSTALLATION WHERE AIR CONDITIONER TROUBLE IS LIKELY TO OCCUR.

- Where there is too much of oil.
- Where it is acid base area.
- Where there is irregular electrical supply.



THERE ARE 2 STYLES OF INSTALLATION.

- **CEILING TYPE**
- **FLOOR TYPE**

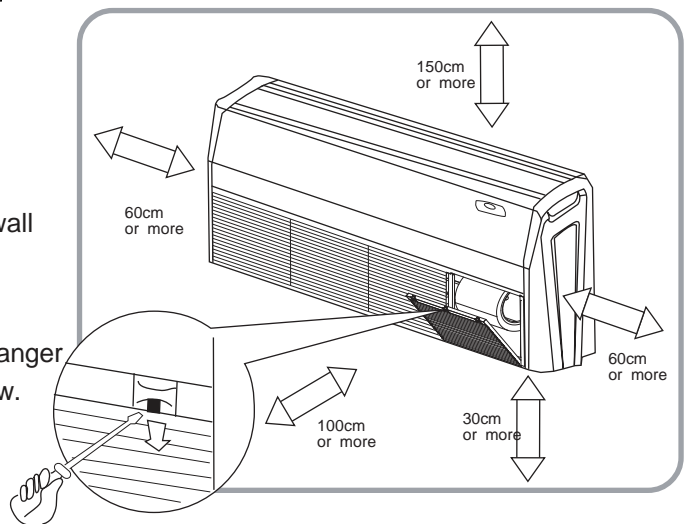
Each type is similar to the other as follows;

Determine the mounting position on ceiling or wall by using paper pattern to indicate indoor frame.

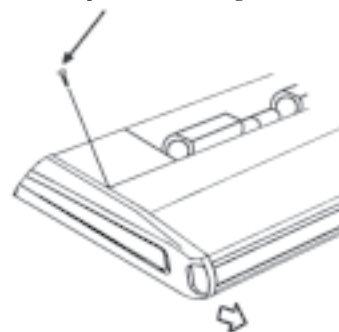
Mark the pattern and pull out the paper pattern.

Remove the return grill, the side panel and the hanger bracket from the indoor unit as per procedure below.

- Press the fixing knob of the return grilles, the grilles will be opened wider and then pull it out from the indoor.
- Remove the side panel fixing screw and pull to the front direction (arrow direction) to remove.
- Loosen two hanger bracket setting bolts (M8) on each side for less than 10mm. Remove two hanger bracket fixing bolts (M6) on the rear side. Detach the hanger bracket by pulling it backward



Side panel fixing screw (M4)

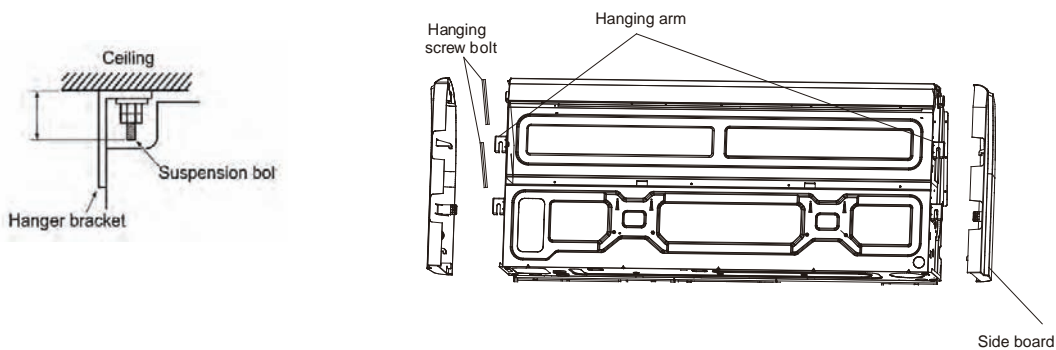


- Set the suspension bolt.(Use W3/8 or M10 size suspension bolts)
- Adjust the distance from the unit to the ceiling slab beforehand.
- Fix the hanger bracket to the suspension bolt. **⚠ WARNING**
- Make sure that extended suspension bolt from the ceiling stays inside the arrowed position. Readjust the hanger bracket when it is outside the arrowed position.(Refer to Fig.)
 - Suspension bolt stays inside the cap of indoor unit. Never remove the cap.
- Lift the unit and slide forward unit the dent.(Refer to Fig.)
- Screw tightly both hanger bracket setting bolts(M8).(Refer to Fig.)
- Screw tightly both hanger bracket fixing bolts(M6) to prevent the movement of the indoor unit.(Refer to Fig.)
- Adjust the unit height so that rear side of the drain pipe slightly inclines to improve drainage. **⚠ CAUTION**
- Adjust the height by turning the nut with a spanner.
- Insert the spanner from the hanger bracket opening.(Refer to Fig.)

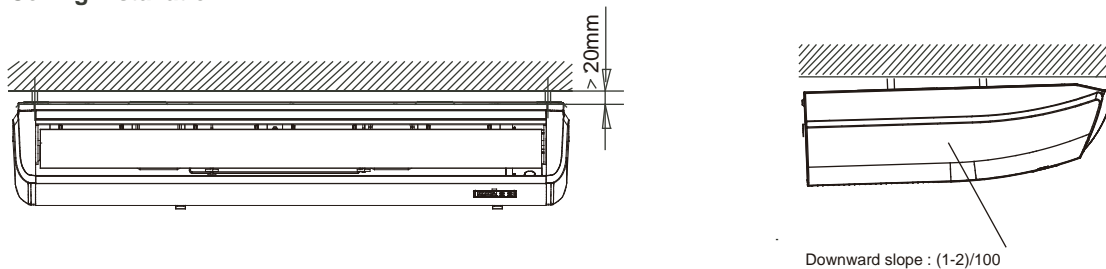
In case of hanging

It is possible to install using inward facing hanger brackets by not removing the brackets from the indoor unit.(Refer to Fig.)

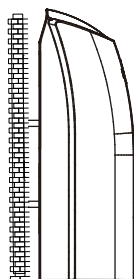
Be sure to use only the specified accessories and parts for installation work.



Ceiling Installation

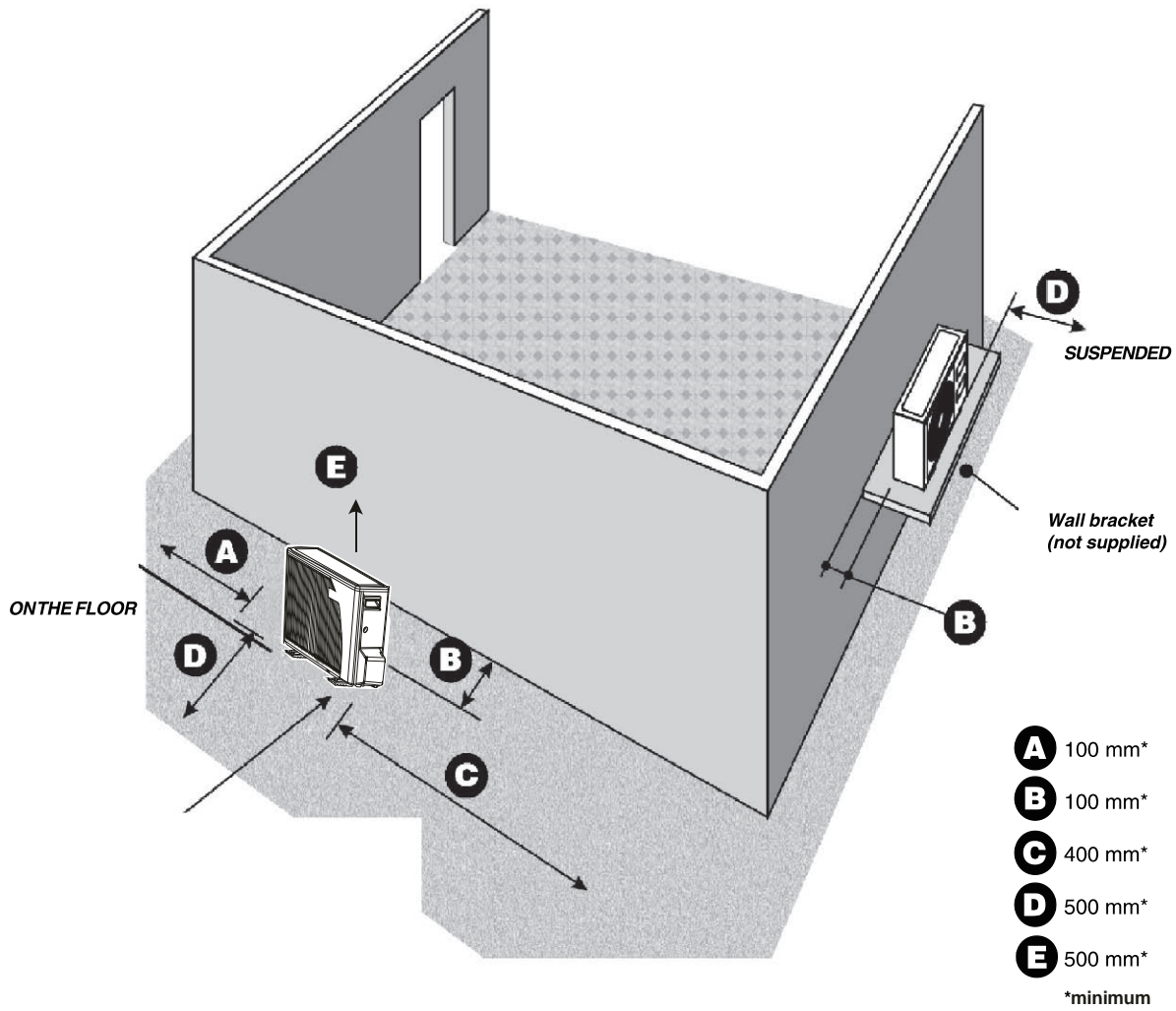


Wall Mounting Installtion



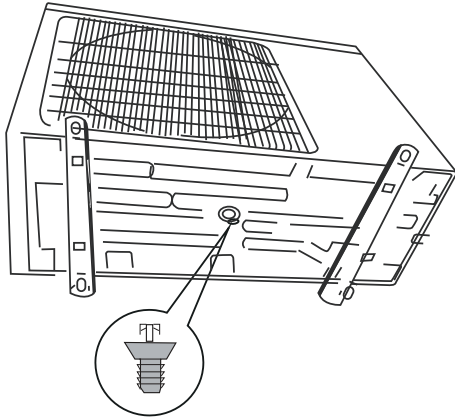
INSTALLATION OF THE OUTDOOR UNIT

- Minimum clearance to respect (in mm).



Indoor unit floor ceiling type

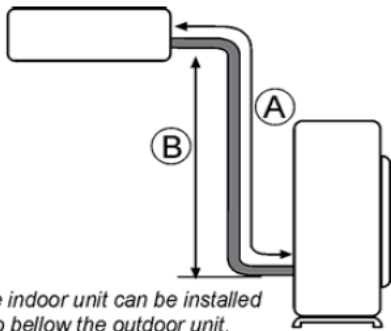
DRAINING CONDENSATES



CAUTION

If the heat pump outdoor unit is installed in an area where the outdoor temperature may fall below $0 + 1$ C, it is mandatory to provide a system preventing any risk of freezing of the condensate (e.g. heating wire).

REFRIGERANT CONNECTIONS



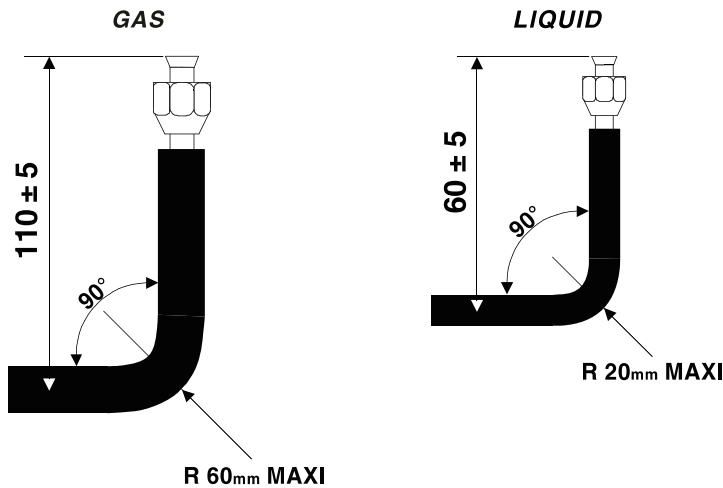
The indoor unit can be installed also below the outdoor unit.

MAXIMUM PIPE LENGTH & HEIGHT (TYPE INVERTER)

CAPACITY (KBtu/h)	TUBE OD: LIQUID - GAS (Inch)	A- L.MAX (m)	B - H.MAX (m)	LENGTH OF PRECHARGE (m)	ADDITIONAL CHARGE (g/m)
12	1/4"-3/8"	25	10	5	15
18	1/4"-1/2"	30	20	5	15
24	3/8"-5/8"	30	20	5	30
30/36	3/8"-5/8"	50	25	5	30
42/48/60	3/8"-5/8"	65	30	5	30

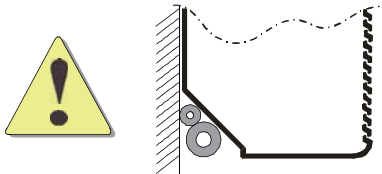
INSTALLATION OF TUBING ON WALL SUPPORT

- After choosing your coolant tubing input location (right, left or rear), you can set up your tubing. To do this, use the installation template in order to form the tubes correctly and thus facilitate connection.



INSTALLATION OF TUBING ON WALL SUPPORT

- Locate the LIQUID tube above the GAS tube.



- Fit the nuts of the (for med) tubing into the recess provided on the template.
- Secure the tubing with the clamps provided.
- Remove the tubing template; you can now install your unit on its support.

NOTE
output to the rear

- The slanted hole prevents condensates or rain from entering the unit.
- Fit a Dia. 70 mm sleeve into the hole.

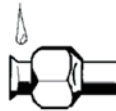
A	Outside
B	Inside
1	Drill Dia. 70 mm
2	Wall

VACUUM OF COOLING PIPES AND INDOOR UNIT

- Only the outdoor unit is charged with R410A cooling fluid. The indoor unit contains a small quantity of a neutral gas. This the reason it is imperative to vacuum the linking pipes and the indoor unit.

ASSEMBLY

- The outdoor unit is equipped with a valve allowing to vacuum the installation (large valve)
- 1 Connect the connecting pipes to the outdoor unit by FLARE NUTS and to the indoor unit by BRAZING
- To obtain the right tightening, cover the sur face with cooling oil.



- The use of a counter wrench is required to tighten the valves.



- The values of the tightening torque are shown in the table below.

Pipe Diameter	Tightening Torque
1/4"(Inch)	15-30 (N·m)
3/8"(Inch)	35-40 (N·m)
5/8"(Inch)	60-65 (N·m)
1/2"(Inch)	45-50 (N·m)
3/4"(Inch)	70-75 (N·m)
7/8"(Inch)	80-85 (N·m)

- 2 Connect the vacuum pump with the flare coupling of the outdoor unit equipped with a process valve.
- 3 Start the vacuum pump and check that the needle of the indicator goes down to - 0,2 mm Hg.
The pump should run during at least 15 minutes.
- 4 Before disconnecting the vacuum pump, check that the vacuum indicator remains in the same position during five minutes.
- 5 Disconnect the vacuum pump.
- 6 Remove the cap of the "GAS" and "LIQUID" valves and open them with a hexagonal wrench to free the R410A contained in the outdoor unit.
- 7 Check that the linking pipes are sealed. Use an electronic leak detector or a soapy sponge.

ELECTRICAL CONNECTION BETWEEN INDOOR AND OUTDOOR UNIT

ELECTRICAL REQUIREMENTS

Electrical wiring and connections should be made by qualified electricians and in accordance with local electrical codes and regulation. The air conditioner units must be grounded.

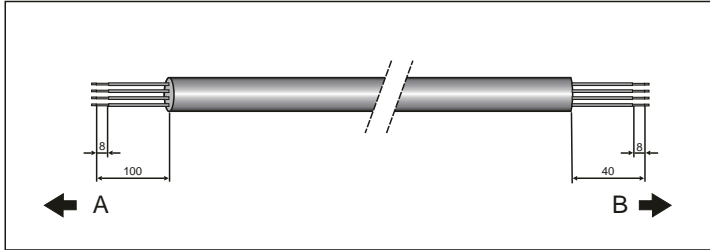
The air conditioner unit must be connected to an adequate power outlet from a separate branch circuit protected by a time delay circuit breaker, as specified on unit's nameplate.

Voltage should not vary beyond 10% of the rated voltage.

An all-pole disconnection switch having a contact separation of at least 3mm in all poles should be connected in fixed wiring.

1. To connect the indoor unit to the outdoor unit use the following electrical cables.
2. Prepare the needed cables for electrical connection.
3. Connect the cable ends to the terminals of the indoor and outdoor units.
4. Secure the multiple wire power cable with the cable clamps.

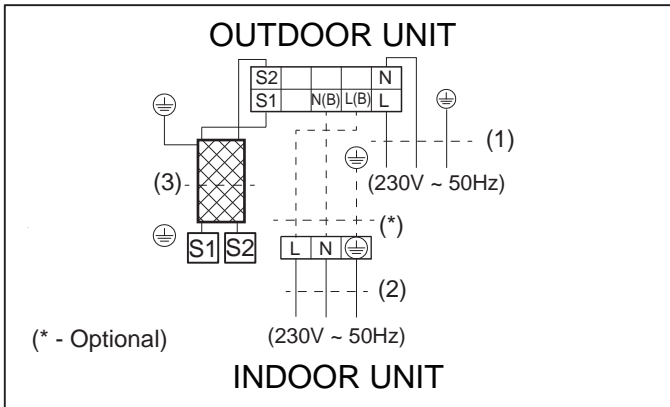
• Cable between indoor and outdoor units



A. OUTDOOR B. INDOOR

NOTES: The wire color code can be selected by the installer.
The temperature of refrigerant circuit will be high, please keep the interconnection cable away from the copper tube.

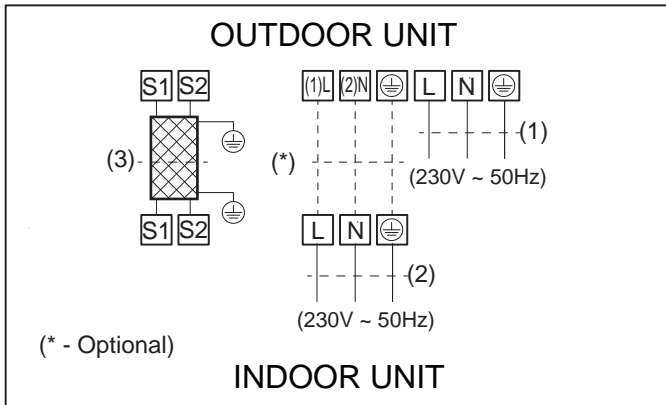
18 KBtu/h



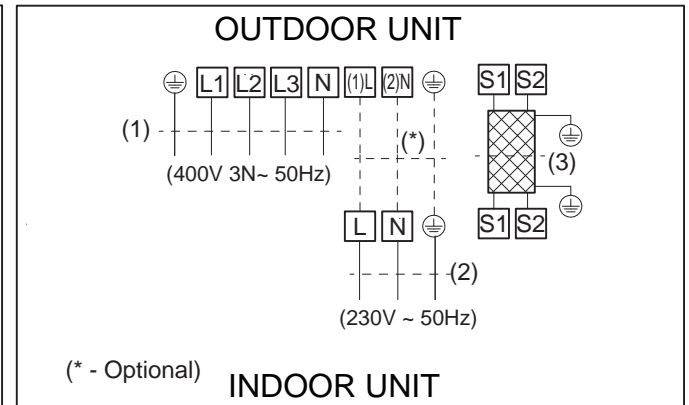
(* - Optional)

Indoor unit floor ceiling type

24/30/36/42/48 KBtu/h (1Ph)



36/48/60 KBtu/h (3Ph)



Capacity	18K	24K	30K	36/42K(1Ph)
Power supply	Indoor & Outdoor			
Fuse Rating (ODU/IDU)	16A/10A	20A / 10A	30A / 10A	30A / 10A
1- Power Cable (ODU)	3 x 2.5mm ²	3 x 2.5mm ²	3 x 2.5mm ²	3 x 4.0mm ²
2- Power Cable (IDU)	3 x 1.0mm ²	3 x 1.0mm ²	3 x 1.0mm ²	3 x 1.0mm ²
3- Interconnecting Cable	2 x 0.5mm ²	2 x 0.5mm ²	2 x 0.5mm ²	2 x 0.5mm ²

Capacity	48k(1Ph)	36K(3Ph)	48/60K(3Ph)
Power supply	Indoor & Outdoor		
Fuse Rating (ODU/IDU)	40A / 10A	25A / 10A	25A / 10A
1- Power Cable (ODU)	3 x 4.0mm ²	5 x 2.5mm ²	5 x 2.5mm ²
2- Power Cable (IDU)	3 x 1.0mm ²	3 x 1.0mm ²	3 x 1.0mm ²
3- Interconnecting Cable	2 x 0.5mm ²	2 x 0.5mm ²	2 x 0.5mm ²

FINAL TASKS

1. Check all valve caps and ensure that they had been tightened properly. Close the valve cover.
2. Fill gaps on the wall between hole sides and tubing with sealer.
3. Attach wiring and tubing to the wall with clamps where necessary.
4. Operate the unit for no less than 5 minutes at heating or cooling mode.
5. Explain filter removal, cleaning and installation.
6. Operate the air conditioner together with the customer and explain all functions.
7. Give the operating and installation manuals to the customer.

TRUHEN-SPLITKLIMAGERÄTE

R410A



Deutsch

Truhen-splitklimageräte FCD / TCD / DCF



TRENNEN SIE VOR WARTUNGS- ODER REPARATURARBEITEN UNBEDINGT DAS GERÄT VOM STROMNETZ.

ALLGEMEINE EMPFEHLUNGEN

- Wir beglückwünschen Sie zum Kauf Ihres Klimageräts.

SICHERHEITSMASSNAHMEN

- Halten Sie sich unbedingt an die geltenden Vorschriften, wenn Sie Arbeiten am Gerät vornehmen.
- Installation und Wartung sollten nur von qualifizierten Fachleuten und gemäß den geltenden Vorschriften durchgeführt werden.
- Stellen Sie sicher, dass Stromanschluss und Frequenz der erforderlichen Betriebsspannung entsprechen und berücksichtigen Sie dabei die speziellen Anforderungen des Standorts und eventuelle weitere Geräte, die an denselben Stromkreis angeschlossen sind.

ACHTUNG

- Trennen Sie das Gerät vom Stromnetz, bevor Sie mit Wartungs- oder Reparaturarbeiten beginnen. Der Hersteller lehnt jede Haftung und Garantie ab, wenn diese Anweisungen nicht eingehalten werden
- Bei Problemen wenden Sie sich bitte an den Technischen Service in Ihrer Region.
- Montieren Sie wenn möglich alles erforderliche oder optionale Zubehör, bevor Sie das Gerät an seinem endgültigen Standort installieren (siehe Installationsanleitung des jeweiligen Zubehörs).
- Lesen Sie sich das Technische Handbuch durch, um sich mit dem Gerät vertraut zu machen.
- Wir behalten uns das Recht vor, diese Anleitungen jederzeit zu ändern.
- für Gerte mit zuzstlichen Heizkrpern ist ein minimaler Abstand von 50cm zwischen dem Gert und dem Brennstoff erforderlich, andererseits besteht Brandgefahr.

Wichtige Informationen für den Gebrauch des Kältemittels

Dieses Produkt enthält ein fluoreszierendes Kältemittel das im KYOTO Protokoll aufgeführt ist. Es ist gesetzlich verboten, es der Luft auszusetzen.

Kältemittel-Typ: R410a / Kg Volumen des GWP: 2088; Tonnen CO₂ äquivalent

GWP = Global Warming Potential


Achtung:

- Die fluoreszierenden Treibhausgase befinden sich in einem nicht hermetisch abgeschlossenen System.
- Installation, Service, Wartung, Reparaturen, Dichtigkeitsprüfungen oder Stilllegungen des Systems und das Recycling muss durch Personen erfolgen, die die hierfür erforderlichen Zertifikate besitzen.
- Für Systeme die fluoreszierende Treibhausgase in der Größenordnung von entsprechend 5 Tonnen CO₂ äquivalent oder mehr, aber weniger als 50 Tonnen CO₂ äquivalent: Eine Dichtigkeitsprüfung muss mindestens 1 mal innerhalb von 12 Monaten erfolgen. Wenn ein Kältemittel-Leckerkennungssystem installiert ist, mindestens 1 mal innerhalb von 24 Monaten.

SICHERHEITSMASSNAHMEN

 Gefahr	Dieses Symbol warnt vor Todesgefahr oder schweren Verletzungen.
--	---

- Versuchen Sie nicht, das Klimagerät selbst zu montieren.
- Dieses Gerät enthält keine für den Benutzer bestimmten Bauteile. Kontaktieren Sie zu Reparaturen jeweils einen autorisierten Fachmann.
- Rufen Sie bei Umzug einen autorisierten Fachmann, um das Gerät abzutrennen und neu zu montieren.
- Kühlen Sie sich nicht übermäßig ab, indem Sie lange im direkten Kühlluftstrom stehen.
- Stecken Sie weder die Finger noch Gegenstände in das Abluft- oder Zuluftgitter.
- Schalten Sie das Klimagerät nicht ein oder aus, indem Sie das Stromversorgungskabel aus dem Netzanschluss ziehen u.s.w.
- Achten Sie darauf, das Stromversorgungskabel nicht zu beschädigen.
- Im Falle einer Funktionsstörung (Brandgeruch u.s.w.) setzen Sie das Gerät unverzüglich außer Betrieb, ziehen den Stecker aus und kontaktieren einen autorisierten Fachmann.
- Das Gerät ist nicht zur unbeaufsichtigten Benutzung von kleinen Kindern oder gebrechlichen Personen bestimmt
- Falls das Stromversorgungskabel dieses Geräts beschädigt ist, sollte es nur von einem autorisierten Fachmann ausgewechselt werden, da Spezialwerkzeug und ein spezielles Kabel benötigt werden. Betätigen Sie von Zeit zu Zeit die Ventilation während des Betriebs.
- Bitte heizen Sie das Klimagerät mindestens 12 Stunden vor, bevor sie es in Betrieb setzen. Falls Sie es über längere Zeit benutzen, lassen Sie es angeschaltet.

 Vorsicht	Dieses Symbol warnt vor Sachbeschädigung.
--	---

- Vermeiden Sie direkten Luftstrom auf Öfen oder Heizkörper.
- Steigen Sie nicht auf das Klimagerät und stellen Sie keine Gegenstände darauf.
- Hängen Sie keine Gegenstände am Innengerät auf.
- Stellen Sie keine Blumenvasen oder Wasserbehälter auf das Klimagerät.
- Vermeiden Sie, dass das Klimagerät in direkte Berührung mit Wasser kommt.
- Ziehen Sie das Stromversorgungskabel nicht aus.
- Schalten Sie die Stromversorgung aus, falls Sie das Gerät längere Zeit nicht benutzen.
- Vergewissern Sie sich, dass die Montagevorrichtung nicht beschädigt ist.
- Setzen Sie Tiere oder Pflanzen nicht direktem Luftstrom aus.
- Trinken Sie nicht das Abflusswasser des Klimageräts.
- Sie sollten in den Anwendungsmöglichkeiten nicht das Aufbewahren von Lebensmitteln, Pflanzen- und Tierpflegezubehör oder Kunstgegenständen mit einbeziehen.
- Gehen Sie vorsichtig mit den Anschlussventilen um, die während des Heizens heiß werden.
- Üben Sie auf die Radiatorlamellen keinen starken Druck aus.
- Setzen Sie das Gerät nur in Betrieb, wenn die Luftfilter montiert sind.
- Das Zuluftgitter und die Abluftöffnung dürfen nicht versperrt oder zugedeckt werden.
- Vergewissern Sie sich, dass elektrische Geräte mindestens ein Meter von den Innen- oder Außengeräten entfernt sind.
- Vermeiden Sie, das Klimagerät in der Nähe eines Ofens oder anderen Heizkörpers zu montieren.
- Treffen Sie beim Montieren der Innen- und Außengeräte Sicherheitsvorkehrungen, um den Zugang von Kindern zu vermeiden.
- Benutzen Sie keine leicht entzündbaren Gase in der Nähe des Klimageräts.

BETRIEBSHINWEISE

- Stellen Sie eine angemessene Raumtemperatur ein; eine übermäßig niedrige Raumtemperatur ist gesundheitsschädlich und energieverschwendend. Vermeiden Sie ein häufiges Temperatureinstellen.
- Vermeiden Sie während des Kühlbetriebs direkte Sonneneinstrahlung. Lassen Sie Vorhänge und Fensterläden zu. Schließen Sie Türen und Fenster, um die kühle Luft im Raum zu behalten.
- Vermeiden Sie, Wärme zu erzeugen oder einen Heizapparat zu betätigen, so lange das Klimagerät im Kühlbetrieb läuft.
- Prüfen Sie, ob die Luftklappe richtig ausgerichtet ist: horizontale Strömungsrichtung für Kühlen und vertikale Strömungsrichtung für Heizen.
- Halten Sie die Raumtemperatur einheitlich, indem Sie die vertikalen Luftklappen links/rechts ausrichten.
- Richten Sie die Luftklappen und Links-/Rechts-Lamellen so aus, dass Ihr Körper nicht direktem Luftzug ausgesetzt ist.
- Öffnen Sie bei längerem Betrieb gelegentlich ein Fenster, um den Raum von Zeit zu Zeit zu belüften.
- Bei Stromausfall bleibt die Datenspeicherung des Mikroprozessors bewahrt. Bei Neustart wird die letzte Betriebsart wiederaufgenommen. Wenn jedoch der Timer benutzt wurde, wird das Gerät nur durch den Timer ausgeschaltet, wenn die Fernbedienung auf das Gerät gerichtet ist. Andernfalls wird der Stromausfall verursachen, dass Timerdaten vom Speicher des Mikroprozessors gelöscht werden.
- Nach dem Einschalten warten Sie über 3 Minuten, bevor Sie den Kühl-, Heiz- oder Entfeuchtungsbetrieb starten.
- Wenn die DRY (Entfeuchten)-Betriebsart benutzt wird, prüfen Sie, ob die Raumtemperatur zwischen 20°C und 27°C liegt. Wenn außerhalb dieses Temperaturbereichs betrieben wird, kann es sein, dass das Gerät zu seinem eigenen Schutz funktionsunfähig wird.
- Wenn die COOL- (Kühlen) oder DRY- (Entfeuchten) Betriebsart benutzt wird, vergewissern Sie sich, dass die relative Luftfeuchtigkeit weniger als 78% beträgt. Wird das Gerät während längerer Zeit bei hoher Luftfeuchtigkeit betrieben, kann sich Feuchtigkeit am Luftauslass bilden und heruntertropfen.
- Wenn der Schutz des Bedienelements des Innengeräts direkter Sonneneinstrahlung oder starkem Licht ausgesetzt ist, kann es sein, dass die Signale der Fernbedienung nicht empfangen werden. In diesem Fall verhindern Sie die Sonneneinstrahlung oder dämpfen Sie das Licht.
- Die Fernbedienung ist in einem Bereich von 8m funktionsfähig. Wenn Sie sich außerhalb dieses Bereichs befinden, kann es sein, dass die Fernbedienung Signal-Übertragungsstörungen aufweist.

INHALTSVERZEICHNIS

BESCHREIBUNG

Werkzeuge für Installation/Wartung.....	5
Bereich der betriebstemperatur.....	6
Abmessungen des Innenteile.....	6
Abmessungen des Außenteile	6

INSTALLATION

Aufstellung des Innenteils	7-8
Aufstellung des Außenteils	9
Kältemittelleitung	10
Installation	11
Elektrische Anschlüsse	13
Letzte vorkehrungen	14

WERKZEUGE FÜR INSTALLATION/WARTUNG

ACHTUNG








Klimagerät mit neuartigem Kältemittel

DIESES KLIMAGERÄT ARBEITET MIT EINEM NEUEN HFC-KÄLTEMITTEL (R410A), DAS SICH NICHT NEGATIV AUF DIE OZONSCHICHT AUSWIRKT. Das Kältemittel R410A kann durch Wasser, Schlacken und Öle verunreinigt werden. Der Betriebsdruck bei R410A ist ca. 1,6 mal höher als beim Kältemittel R22. Gleichzeitig mit dem Kältemittel wurde auch das Maschinenöl umgestellt. Achten Sie daher bei der Installation darauf, dass kein Wasser, Staub, alte Kältemittelrückstände oder Maschinenöl zusammen mit R410A in den Kältekreislauf gelangen. Um ein Vermischen unterschiedlicher Kältemittel oder Maschinenöle zu vermeiden, unterscheiden sich die Maße der Schraderventile und der Installationswerkzeuge von denen, die für herkömmliche Klimageräte verwendet werden. Dementsprechend ist für die neuen Klimageräte (R410A) spezielles Werkzeug erforderlich. Verwenden Sie für die Rohrverbindungen neue und saubere Rohre und Fittings für R410A, damit kein Wasser und/oder Staub eindringen kann. Benutzen Sie auch nicht bereits bestehende Rohrleitungen, da sich sonst durch die Fittings oder mögliche Verunreinigungen Probleme ergeben können.

Änderungen an Produkt und Komponenten

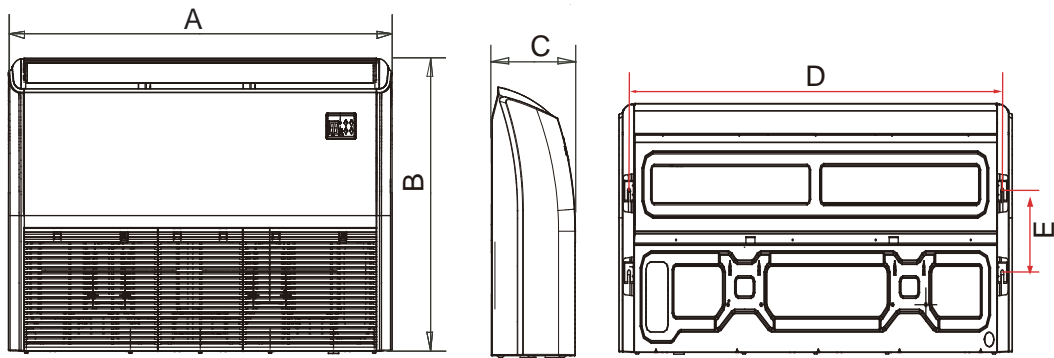
Bei Klimageräten, die auf der Basis von R410A arbeiten, wurden die Durchmesser der Schraderventilanschlüsse des Außenteils verändert, um zu verhindern, dass das Gerät versehentlich mit einem anderen Kältemittel befüllt wird. (1/2 UNF) • Um die Druckfestigkeit der Kältemittelleitungen zu erhöhen, wurden die Maße für Öffnungsdurchmesser und die entsprechenden Bördelmuttern modifiziert. (Für Kupferrohre mit Nennabmessungen 1/2" und 5/8")

Spezielles Werkzeug für R410A

Spezielles Werkzeug für R410A		Für R22	Änderungen
Manometerbatterie	×		Da der Betriebsdruck besonders hoch ist, kann er nicht mit herkömmlichen Messgeräten erfasst werden. Um zu verhindern, dass das Gerät mit einem anderen Kältemittel befüllt wird, wurden die Anschlussdurchmesser modifiziert.
Füllschlauch	×		Um die Druckfestigkeit zu erhöhen, wurden Schlauchmaterialien und Anschlussmaße geändert (auf 1/2 UNF). Vergewissern Sie sich beim Kauf des Füllschlauches, dass die Anschlussmaße stimmen.
Elektrowaage für Kältemittelbefüllung	○		Da Arbeitsdruck und Kältemittelgeschwindigkeit sehr hoch sind, ist es aufgrund der Blasenbildung schwierig, die angegebenen Werte mit Hilfe eines Füllzylinders abzulesen.
Drehmomentschlüssel (Nenndurchm. 1/2, 5/8)	×		Die Maße der gegenüberliegenden Bördelmuttern wurde erhöht. Zufällig kann für Nenndurchmesser 1/4 und 3/8 ein herkömmlicher Schlüssel verwendet werden.
Bördelwerkzeug (Verbindung)	○		Durch ein vergrößertes Aufnahmeloch im Spannschlüssel konnte die Federkraft des Werkzeugs verbessert werden.
Adapter für Vakuumpumpe	○		Anschluss an konventionelle Vakuumpumpe. Um zu verhindern, dass Öl aus der Vakuumpumpe in den Füllschlauch zurückströmt, ist ein Adapter erforderlich. Der Füllschlauch verfügt über zwei Anschlüsse - einen für herkömmliche Kältemittel (7/16 UNF) und einen für R410A. Wenn sich das Öl der Vakuumpumpe (Mineralöl) mit R410A vermischt, kann sich Schlamm bilden, der zu Schäden am Gerät führen kann.
Lecksuchgerät	×		Nur für HFC-Kältemittel.

Zufällig weist der "Kältemittelzylinder" die Kältemittelbezeichnung (R410A) und eine Schutzbeschichtung in dem vom ARI festgelegten Rosa auf (ARI-Farbencode: PMS 507). Außerdem ist für "Füllanschluss und Abdichtung des Kühlzylinders" ein Schlüssel des Typs 1/2 UNF erforderlich, entsprechend dem Anschlussmaß des Füllschlauches.

ABMESSUNGEN DES INNENTEILS

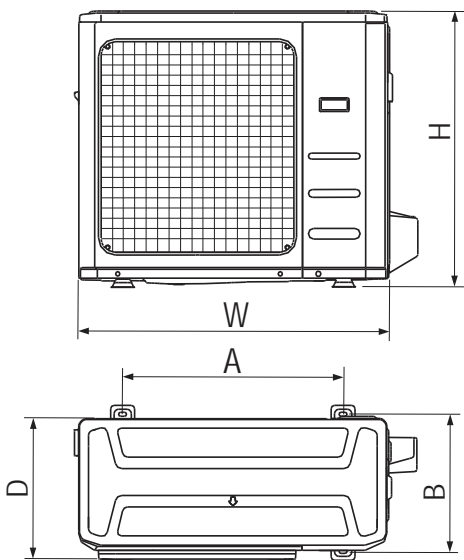


Unit: mm

	KAPAZITÄT (KBtu/h)	A	B	C	D	E
DC INVERTER	18/24	1068	675	235	983	220
	30	1285	675	235	1200	220
	36/42/48/60	1650	675	235	1565	220

ABMESSUNGEN DES AUßENTEILE

Unit: mm



INVERTER

KAPAZITÄT (KBtu/h)	W	H	D	A	B
12	800	554	333	514	340
18	800	554	333	514	340
24	845	702	363	560	335
30/36/42	946	410	810	673	403
48/60	952	410	1333	634	404

Installation der Inneneinheit

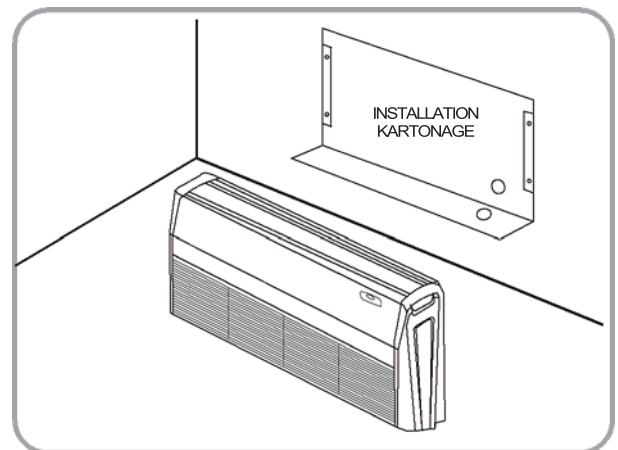
INSTALLATIONSANLEITUNG

AUSWAHL DES INSTALLATIONSORTES.

- Ein Installationsort, wo Kondenswasser leicht entleert werden kann.
 - Ein Ort, der das Gewicht einer Inneneinheit bewältigen kann.
 - Ein Ort, der für die Wartung leicht zugänglich ist. Ein Ort, der einen einfachen Anschluss mit der Außeneinheit ermöglicht.
 - Ein Ort, der 1 m oder mehr von anderen Elektrogeräten wie Fernseher und Audiogeräte entfernt ist.
 - Vermeiden Sie einen Installationsort, wo es eine Wärmequelle, hohe Luftfeuchtigkeit oder leicht entzündliche Gase gibt.
 - Benutzen Sie die Einheit nicht in unmittelbarer Nähe einer Waschküche, Dusche, eines Bades oder Swimmingpools.
 - Beachten Sie, dass die Installation dem Abmessungsdiagramm entspricht.
- Der Abstand zum Gerät muss für die Belüftung ausreichen

ACHTUNG: VERMEIDEN SIE INSTALLATIONEN, WO DIE KLIMAAANLAGE PROBLEME BEKOMMT.

- Wo es zu viel Öl gibt.
- In einem säurehaltigen oder alkalischen Bereich.
- Wo es eine unregelmäßige Stromversorgung gibt.



ES GIBT 2 INSTALLATIONSARTEN.

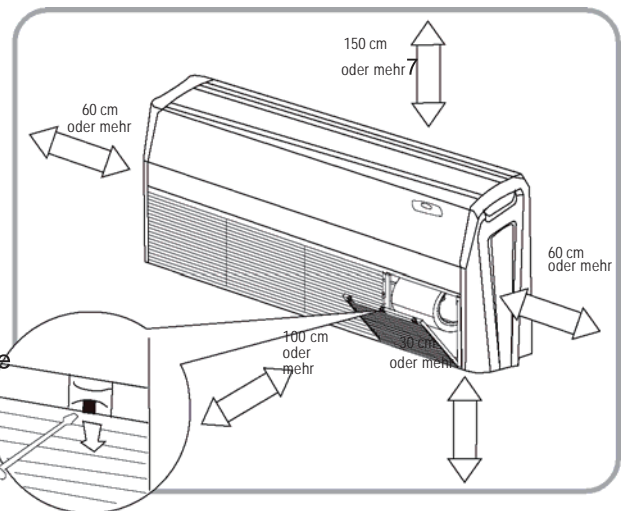
- **DECKENMONTAGE**
- **BODENNAHE MONTAGE**

Die zwei Arten sind sich ähnlich wie folgt:

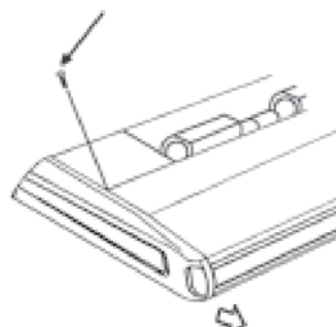
Legen Sie die Montageposition an der Decke oder Wand mit einer Papierschablone fest, um den Innenrahmen zu kopieren. Zeichnen Sie das Muster an und entfernen die Papierschablone.

Entfernen Sie das Rückluftgitter, die Seitenblende und die Hängehalterung von der Inneneinheit nach der unteren Vorgehensweise.

- Drücken Sie den Befestigungsknopf der Rückluftgitter. Die Gitter werden weit geöffnet. Dann ziehen Sie diese aus dem Gehäuse.
- Entfernen Sie die Befestigungsschraube der Seitenblende und ziehen diese (wie durch den Pfeil angezeigt) nach vorne ab.
- Lösen Sie zwei Einstellbolzen (M8) der Hängehalterung auf jeder Seite um weniger als 10 mm. Entfernen Sie zwei Befestigungsbolzen (M6) der Hängehalterung auf der Rückseite. Trennen Sie die Hängehalterung durch Rückwärtsziehen ab.



Befestigungsschraube der Seitenblende (M4)



Installation der Inneneinheit INSTALLATIONSANLEITUNGEN

- Die Tragbolzen einstellen. (Benutzen Sie Tragbolzen der Größe W3/8 oder M10)
 - Stellen Sie vorher den Abstand von der Einheit zur Deckenplatte passend ein .
- Befestigen Sie die Hängehalterung an den Tragbolzen. **VORSICHT**
- ~ Achten Sie darauf, dass der verlängerte Tragbolzen von der Decke innerhalb des durch die Pfeile gekennzeichneten Bereiches bleibt. Stellen Sie die Hängehalterung erneut ein, wenn sie sich außerhalb des durch die Pfeile gekennzeichneten Bereiches befindet .
 - ~ Der Tragbolzen muss innerhalb der Gehäuseabdeckung bleiben. Entfernen Sie niemals die Abdeckung.

Heben Sie das Gerät an und lassen es bis zur Einbuchtung vorwärts gleiten .

Ziehen Sie beide Einstellbolzen (M8) der Hängehalterung an .

Ziehen Sie beide Befestigungsbolzen (M6) der Hängehalterung an, um die Bewegung der Inneneinheit zu verhindern.

Stellen Sie die Gerätehöhe passend ein, so dass sich die Rückseite des Abflussrohres leicht neigt, um den Ablauf zu verbessern. **ACHTUNG**

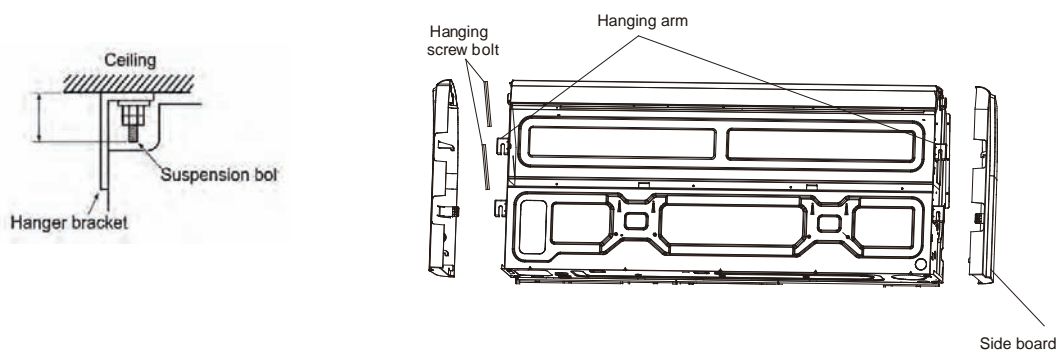
- ~ Stellen Sie die Höhe passend ein, indem Sie die Mutter mit einem Schraubenschlüssel drehen.

Stecken Sie den Schraubenschlüssel durch die Öffnung der Hängehalterung .

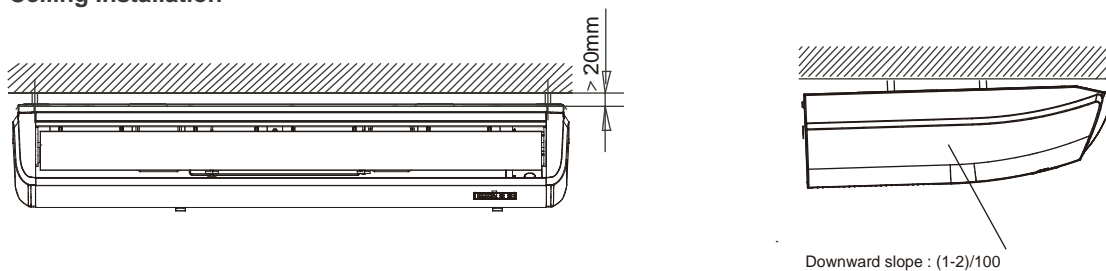
Im Hängefall

Sie können das Gerät mit nach innen gerichteten Hängehalterungen installieren, indem Sie die Halterungen von der Inneneinheit nicht entfernen .

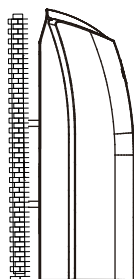
Verwenden Sie nur die angegebenen Zubehörteile und Teile für die Installationsarbeit.



Ceiling Installation



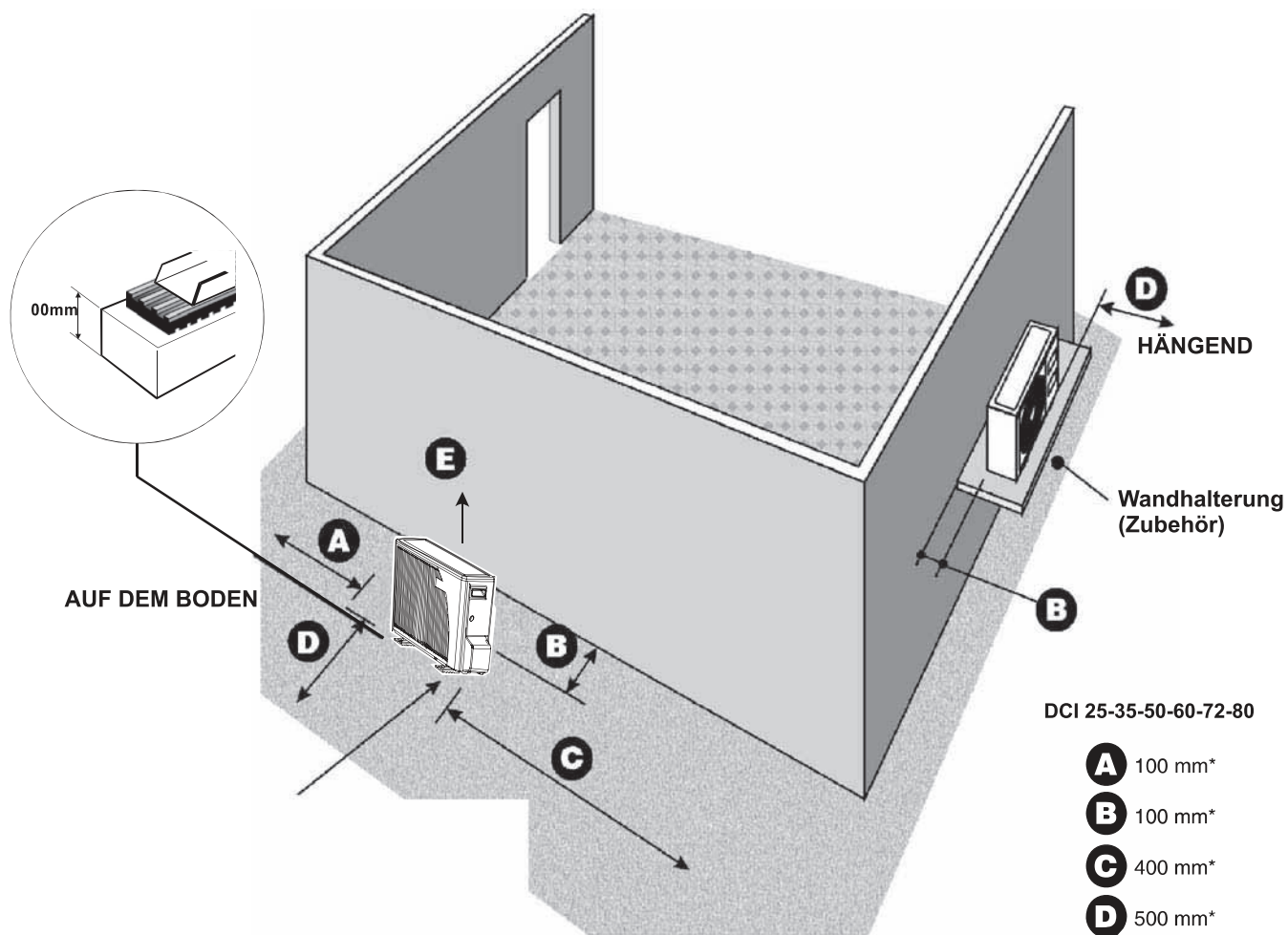
Wall Mounting Installation



INSTALLATION DES AUSSENTEILS

- Vorgeschiebener Mindestfreiraum (mm).

DEUTSCH

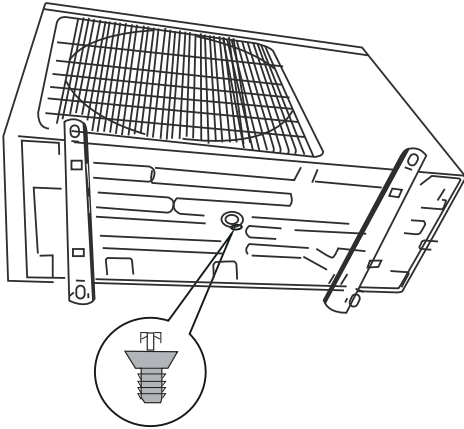


DCI 25-35-50-60-72-80

- A** 100 mm*
- B** 100 mm*
- C** 400 mm*
- D** 500 mm*
- E** 500 mm*

*Minimum

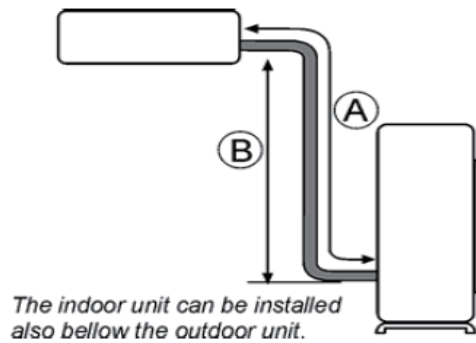
KONDENSWASSERABLAUF



ACHTUNG

Falls das Wärmepumpen-Außenteil in einer Klimazone installiert wird, in der die Außentemperatur unter + 1 °C sinken kann, muss unbedingt ein Vereisungsschutz vorgesehen werden (z. B. Heizkabel).

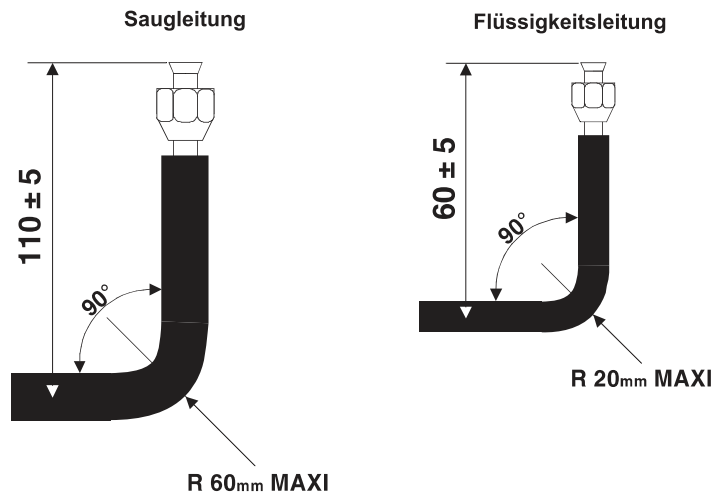
KÄLTETECHNISCHE ANSCHLÜSSE



Maximale Rohrlänge und Höhe (TYP INVERTER)					
KAPAZITÄT (KBtu/h)	FLÜSSIGKEITSLEITUNG -GASLEITUNG (Inch)	A- L.MAX (m)	B - H.MAX (m)	LÄNGE DER PRECHARGE (m)	ZUSÄTZLICH (g/m)
12	1/4"-3/8"	25	10	5	15
18	1/4"-1/2"	30	20	5	15
24	3/8"-5/8"	30	20	5	30
30/36	3/8"-5/8"	50	25	5	30
42/48/60	3/8"-5/8"	65	30	5	30

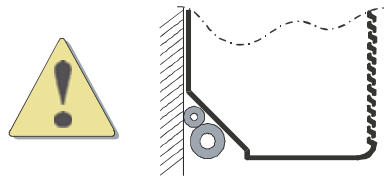
INSTALLIEREN DER ROHRLEITUNGEN AN DER WANDHALTERUNG

- Nachdem Sie den Anschlussseite der Kältemittelleitungen gewählt haben (rechts, links oder auf der Rückseite), kann die Leitung hergestellt werden. Dazu muss die Montageschablone benutzt werden, um die Rohre richtig zu biegen und folglich den Anschluss zu erleichtern.



INSTALLIEREN DER ROHRLEITUNGEN AN DER WANDHALTERUNG

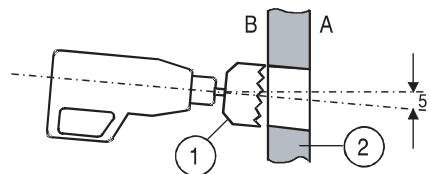
- Zur sachgemäßen Installation der Leitungen muss die Flüssigkeitsleitung oben und die Saugleitung darunter installiert werden.



- Die Muttern der (gebogenen) Rohre in die auf der Schablone vorgesehene Aufnahme anbringen.
- Die Rohre mit den gelieferten Schellen befestigen.
- Die Rohrleitungsschablone entfernen; jetzt kann das Gerät auf die Halterung montiert werden.

ANMERKUNG:

- Durch die schräge Bohrung wird ein Eindringen von Regenwasser oder Kondenswasser vermieden.
- Eine Manschette, Durchm. 70 mm, in das Loch einführen.



- A außen
- B innen
- 1 Bohrer Durchm. 70mm
- 2 Wand

EVAKUIERUNG DER KÄLTEMITTELLEITUNGEN UND DES INNENTEILS

- Nur das Außenteil ist mit R410A gefüllt. Im Innenteil befindet sich eine Stickstoff-Schutzfüllung. Daher müssen die Saugleitungen und das Innenteil unbedingt evakuiert werden.

MONTAGE

- Das Außenteil verfügt über ein Ventil zum Evakuieren der Anlage (großes Ventil) 1 Anschluss der Verbindungsleitungen an das Außenteil und an das Innenteil mit Bördelmuttern.

- Um einen festen Sitz zu gewährleisten, die Oberfläche mit Kälteöl benetzen.



- Zum Anziehen der Ventile ist ein Gegenschlüssel unerlässlich.



- Die Anziehdrehmomente sind in nachstehender Tabelle angegeben.

Pipe Diameter	Tightening Torque
1/4"(Inch)	15-30 (N·m)
3/8"(Inch)	35-40 (N·m)
5/8"(Inch)	60-65 (N·m)
1/2"(Inch)	45-50 (N·m)
3/4"(Inch)	70-75 (N·m)
7/8"(Inch)	80-85 (N·m)

2 Die Vakuumpumpe mit der Kupplung des Außenteils verbinden, das mit dem Betriebsventil versehen ist.

3 Die Vakuumpumpe in Betrieb setzen und prüfen, ob die Anzeigenadel auf 0,2 mm Hg steht. Die Pumpe muss mindestens 15 Minuten arbeiten.

4 Bevor die Vakuumpumpe wieder entfernt wird, prüfen, ob der Unterdruck 5 Minuten lang unverändert bleibt.

5 Die Vakuumpumpe abschalten.

6 Den Schutzkappe des "SAUGGAS"- und "FLÜSSIGKEITS"-Ventils entfernen und die Ventile mit einem Sechskantschlüssel öffnen, damit sich das im Außenteil befindliche R410A verteilt.

7 Die Verbindungen auf Dichtigkeit prüfen. Dazu einen elektronischen Lecksucher oder einen Seifenschwamm verwenden.

ELEKTRISCHE VERBINDUNG ZWISCHEN INNEN- UND AUSSENTEIL

ELEKTROVORSCHRIFTEN

Elektrische Anschlüsse dürfen nur durch einen qualifizierten Elektriker und unter Einhaltung der geltenden Elektrovorschriften und der örtlichen Bestimmungen durchgeführt werden. Die Klimageräte müssen sorgfältig geerdet werden. Das Klimagerät benötigt einen separaten Netzanschluss, der gemäß Angaben auf dem Typenschild abgesichert ist. Die Spannung sollte nicht um mehr als +/-10 % von der Nennspannung abweichen.

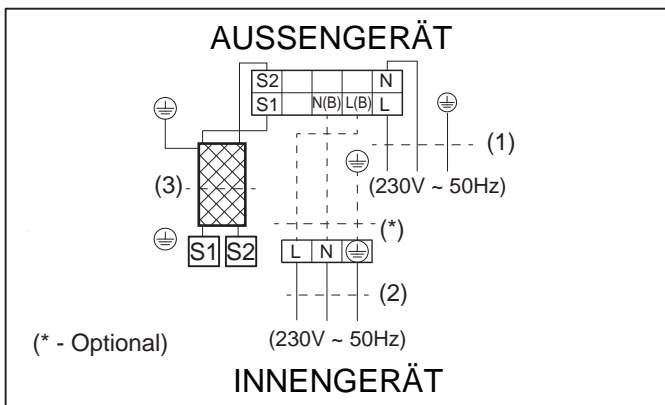
Ein allpoliger Ausschalter mit einer zumindest 3 mm breiten Kontaktabschottung für alle Pole soll über ortsfeste Verkabelung verbunden werden.

1. Verwenden Sie für die Verbindung von Innen- und Außenteil bitte folgende Kabel.
2. Bereiten Sie die Kabelenden für den
3. Schließen Sie die Adern an die Klemmleisten des Innen- und Außenteils.
4. Befestigen Sie die mehradrigen Leitungen mit Hilfe der Kabelschellen.

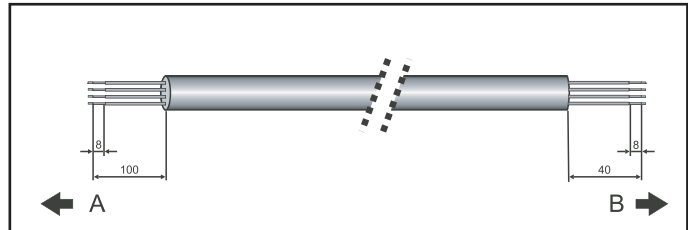
Schaltvorkehrungen

INVERTER TYPE

18 KBtu/h



• Verbindungsleitung zwischen Innen- und Außenteil



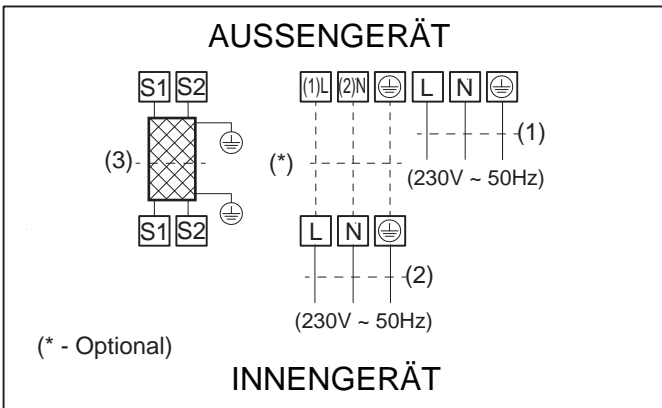
A. AUSSENTEIL B. INNENTEIL

ANMERKUNGEN:

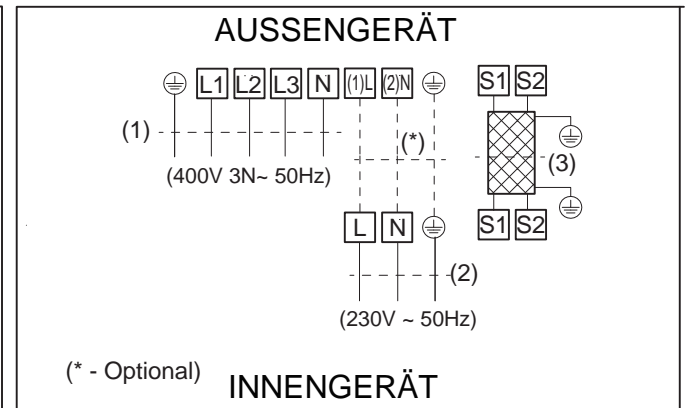
Der Farbencode kann vom Installateur festgelegt werden.

Die Temperatur des Kühlmittelkreislaufs ist hoch. Halten Sie deshalb das Verbindungskabel vom Kupferrohr fern.

18/24/30/36/42/48 KBtu/h (1Ph)



36/48/60 KBtu/h (3Ph)



Kapazität	18K	24K	30K	36/42K(1Ph)
Stromversorgung	IINNENGERÄT und AUSSENGERÄT			
Fuse Rating (ODU/IDU)	16A/10A	20A / 10A	30A / 10A	30A / 10A
1- Stromversorgungskabel(ODU)	3 x 2.5mm ²	3 x 2.5mm ²	3 x 2.5mm ²	3 x 4.0mm ²
2- Stromversorgungskabel(IDU)	3 x 1.0mm ²	3 x 1.0mm ²	3 x 1.0mm ²	3 x 1.0mm ²
3- Verbindungskabel	2 x 0.5mm ²	2 x 0.5mm ²	2 x 0.5mm ²	2 x 0.5mm ²

Kapazität	48k(1Ph)	36K(3Ph)	48/60K(3Ph)
Stromversorgung	IINNENGERÄT und AUSSENGERÄT		
Fuse Rating (ODU/IDU)	40A / 10A	25A / 10A	25A / 10A
1- Stromversorgungskabel(ODU)	3 x 4.0mm ²	5 x 2.5mm ²	5 x 2.5mm ²
2- Stromversorgungskabel(IDU)	3 x 1.0mm ²	3 x 1.0mm ²	3 x 1.0mm ²
3- Verbindungskabel	2 x 0.5mm ²	2 x 0.5mm ²	2 x 0.5mm ²

LETZTE VORKEHRUNGEN

1. Prüfen Sie, ob die Ventildeckel gut verschlossen sind. Schließen Sie die Ventildeckel.
2. Füllen Sie die Zwischenräume an der Wand zwischen den Öffnungsseiten und den Leitungsrohren mit Dichtungsmaterial.
3. Befestigen Sie die Kabel und Rohre nötigenfalls mit Klemmen an der Wand.
4. Lassen Sie das Gerät während mindestens 5 Minuten im Heiz- oder Kühlbetrieb laufen.
5. Erklären Sie dem Kunden die Filterentfernung, -reinigung und -montage.
6. Setzen Sie das Klimagerät zusammen mit dem Kunden in Betrieb und erklären Sie ihm alle Funktionen.
7. Überreichen Sie dem Kunden die Betriebs- und Montageanleitungen.

CLIMATISEUR

R410A



FRANCAIS

Français

Split system Allège / plafonnier FCD / TCD / DCF

CE



MISE HORS TENSION OBLIGATOIRE AVANT TOUTES INTERVENTIONS DANS LES BOITIERS ELECTRIQUES

RECOMMANDATIONS GENERALES

- Avant tout, merci d'avoir porté votre choix sur un matériel.

CONSEILS DE SECURITE

- Lorsque vous intervenez sur votre matériel, suivez les règles de sécurité en vigueur.
- L'installation et l'entretien du matériel devront être effectués exclusivement par du personnel qualifié.
- Assurez-vous que l'alimentation électrique disponible et la fréquence du réseau sont adaptées au courant de fonctionnement nécessaire compte tenu des conditions spécifiques de l'emplacement, et du courant nécessaire à tout autre appareil branché sur le même circuit.

AVERTISSEMENT

- Couper l'alimentation électrique générale avant toute intervention ou opération d'entretien.
- Le fabricant décline toute responsabilité et la garantie ne sera plus applicable si ces instructions d'installation ne sont pas respectées.
- Si vous avez des difficultés, faites appel au Service Technique de votre zone.
- Avant la mise en place, procédez si possible au montage des accessoires obligatoires ou non. (Voir notice livrée avec chaque accessoire).
- Pour une meilleure connaissance du produit, nous vous conseillons de consulter également notre notice technique.
- Les informations contenues dans cette notice sont sujettes à modifications sans préavis.
- Pour les appareils disposant de chauffages supplémentaires, le jeu minimal entre l'appareil est le combustible est de 50cm. Cela risquerait autrement de causer des incendies.

Informations importantes concernant le fluide frigorigène utilisé

Ce produit contient un gaz fluoré relevant du protocole de Kyoto. Il est interdit de le libérer dans l'atmosphère.

Type de réfrigérant: R410a/ Kg ,Volume de PRG: 2088; equivalent tonnes CO2

PRG=Potentiel de réchauffement global

Attention:

- Les gaz à effet de serre fluorés sont contenus dans des bouteilles non-hermétiquement fermés.
- L'installation, l'entretien, la maintenance, les réparations, la détection de fuites ou le démantèlement et le recyclage des produits devront être effectués par des personnes physiques titulaires d'un certificat d'aptitude à la manipulation de fluides frigorigènes.
- Pour les équipements contenant des gaz à effet de serre fluorés en quantités égales ou supérieures à 5 tonnes de CO2 mais inférieures à 50 tonnes d'équivalent de CO2: le contrôle des fuites doit être effectué au moins tous les 12 mois ; ou lorsqu'un système de détection des fuites est installé, au moins tous les 24 mois.

PRECAUTIONS

 Danger Ce signe avertit d'un danger mortel ou un risque de blessures graves.

- Ne tentez pas d'installer vous-même ce climatiseur.
- Cette unité ne contient aucune pièce réparable. Consultez toujours le personnel de service autorisé pour les réparations.
- Lors d'un déménagement, veuillez consulter le personnel de service autorisé pour la déconnexion et l'installation de cette unité.
- Ne vous refroidissez pas excessivement en restant longtemps dans un flux direct de refroidissement.
- N'insérez pas doigts ou objets dans le port de sortie ou les grilles de prise d'air.
- Ne faites pas démarrer et n'arrêtez pas le climatiseur en débranchant le câble d'alimentation électrique.
- Faites attention à ne pas endommager le câble d'alimentation électrique.
- En cas de dysfonctionnement (odeur de brûlé, etc.), stoppez immédiatement l'opération, déconnectez la fiche d'alimentation en courant et consultez le personnel de service autorisé.
- Si le câble d'alimentation électrique de cet appareil est endommagé, il ne devrait être remplacé que par le personnel de service autorisé étant donné que des outils spéciaux et un câble spécifique sont requis.
- L'appareil n'est pas destiné à être utilisé par des jeunes enfants ou des infirmes sans supervision.
- Veuillez préchauffer le climatiseur pendant au moins douze heures avant l'opération. S'il est destiné à une utilisation prolongée, veuillez laisser l'appareil allumé.

 Attention Ce signe avertit de risque de dommage à la propriété.

- Aérez de manière occasionnelle durant l'usage.
- N'orientez pas directement le flux d'air sur des cheminées ou autres appareils de chauffage.
- Ne fixez pas et ne placez pas d'objets sur le climatiseur.
- Ne suspendez pas d'objets à l'unité intérieure.
- Ne placez pas de vases à fleurs ou des récipients d'eau sur le climatiseur.
- N'exposez pas directement le climatiseur à de l'eau.
- Ne tirez pas le câble d'alimentation.
- Désactivez la source de courant en cas d'inutilisation prolongée de l'unité.
- Vérifiez l'état du support d'installation pour détecter des dommages.
- Ne placez pas d'animaux ou de plantes dans le parcours direct du flux d'air.
- Ne buvez pas l'eau drainée du climatiseur.
- N'utilisez pas le climatiseur dans des applications impliquant le stockage d'aliments, de plantes ou d'animaux, l'équipement de précision ou les travaux artistiques.
- Les valves de connexion chauffent durant le chauffage. Manipulez-les avec précaution.
- N'appliquez pas de forte pression sur les ailerons du radiateur.
- Ne faites fonctionner l'appareil qu'avec les filtres à air installés.
- Ne bloquez pas et ne couvrez pas la grille de prise d'air et le port de sortie.
- Assurez-vous que tout l'équipement électronique est au moins un mètre des unités intérieures ou extérieures.
- Évitez l'installation du climatiseur près d'une cheminée ou autre appareil de chauffage.
- Lors de l'installation des unités intérieure et extérieure, prenez des précautions pour éviter l'accès aux enfants.
- N'utilisez pas de gaz inflammable près du climatiseur.

CONSEILS D'OPERATION

- Fixez une température adaptée à la pièce; une température excessivement basse n'est pas bonne pour votre santé et vous fait dépenser de l'électricité. Évitez le réglage fréquent de la température.
- Durant le refroidissement, évitez l'ensoleillement direct, laissez rideaux et stores fermés. Fermez portes et fenêtre pour garder l'air froid dans la pièce.
- Évitez de générer de la chaleur ou d'utiliser des appareils de chauffage avec le climatiseur en mode de refroidissement.
- Assurez-vous que le volet d'air est correctement positionné: flux horizontal en refroidissement et vertical vers le bas pour le chauffage.
- Gardez une température uniforme de la pièce en ajustant les lames d'air verticales à gauche ou à droite.
- Positionnez le volet d'air et les lames d'air gauche / droite de manière à éviter que votre corps ne soit directement exposé à des courants d'air.
- Durant une opération prolongée, aérez occasionnellement la pièce en ouvrant une fenêtre de temps à autre.
- En cas de chute de courant, la mémoire du microprocesseur est préservée. Lors du redémarrage, l'opération sera prise selon le dernier mode d'opération. Cependant, si le chrono a été utilisé, l'unité ne pourra être éteinte que par le chrono avec la télécommande orientée vers l'unité. Autrement, la chute de courant causera l'effacement des données du chrono dans la mémoire du microprocesseur.
- Attendez plus de trois minutes après l'allumage pour le démarrage de l'opération de refroidissement, de chauffage ou de séchage.
- Lorsque le mode SÉCHAGE est utilisé, assurez-vous que la température de la pièce est entre 20°C et 27°C. Hors de cette portée, l'unité pourrait se protéger et devenir inopérante.
- Lorsque les mode COOL ou SÉCHAGE sont utilisés, assurez-vous que l'humidité relative de la pièce est en dessous de 78%. Si l'unité est utilisée pendant de longues périodes en humidité élevée, de la moisissure peut se former sur la sortie d'air.
- Les signaux de la télécommande peuvent ne pas être reçus si les contrôles de l'unité intérieure sont exposés à un ensoleillement direct ou une forte lumière. Dans un tel cas, bloquez l'ensoleillement ou diminuez l'éclairage.
- La télécommande opère dans une portée de 8 mètres. Si vous êtes hors de portée, elle pourrait avoir des difficultés à transmettre les signaux.

SOMMAIRE

DESCRIPTION

Outil d'installation/d'entretien.....	5
Vportee de température de fonctionnement.....	6
Dimensions de l'unité intérieure.....	6
Dimensions de l'unité extérieure.....	6

INSTALLATION

Emplacement de l'unité intérieure.....	7-8
Emplacement de l'unité extérieure.....	9
Liaisons frigorifiques.....	10
Installation.....	11
Connexions électriques.....	13
Tâches finales.....	14

OUTIL D'INSTALLATION/D'ENTRETIEN

ATTENTION

Installation du climatiseur à nouveau fluide frigorigène

● CE CLIMATISEUR ADOPTE LE NOUVEAU FLUIDE FRIGORIGÈNE HFC (R410A) QUI NE DETRUIT PAS LA COUCHE D'OZONE.

Le fluide frigorigène R410A est susceptible d'être affecté par des impuretés comme de l'eau, une membrane s'oxydant et des huiles car sa pression de fonctionnement est environ 1,6 fois celle du fluide frigorigène R22. Conjointement à l'adoption du nouveau fluide frigorigène, l'huile de la machine frigorifique a également été changée. Par conséquent, pendant les travaux d'installation, veillez à ce que de l'eau, de la poussière, de l'ancien fluide frigorigène ou de l'huile pour machine frigorifique ne pénètre pas dans le circuit du climatiseur R410A à nouveau type de fluide frigorigène.








Afin d'éviter le mélange de fluide frigorigène ou d'huile pour machine frigorifique, les dimensions des sections de raccordement du port de chargement de l'appareil principal et les outils d'installation sont différents de ceux utilisés pour les climatiseurs à fluide frigorigène conventionnels. Par conséquent, des outils spéciaux, sont nécessaires pour les appareils à nouveau fluide frigorigène (R410A). Pour raccorder les tuyaux, utilisez de nouveaux matériaux de tuyauterie propres ayant une résistance élevée à la pression conçus uniquement pour le fluide R410A, afin que de l'eau ou de la poussière ne pénètre. En outre, n'utilisez pas la tuyauterie existante car elle pose quelques problèmes de résistance à la pression et qu'elle peut contenir des impuretés.

Modifications du produit et des composants

Dans les climatiseurs utilisant le fluide R410A, afin d'éviter qu'un autre fluide frigorigène ne soit accidentellement chargé, le diamètre de l'orifice d'accès de la vanne de commande (vanne à trois voles) de l'unité extérieure a été modifié. (1/2 UNF, 20 filetages par pouce)

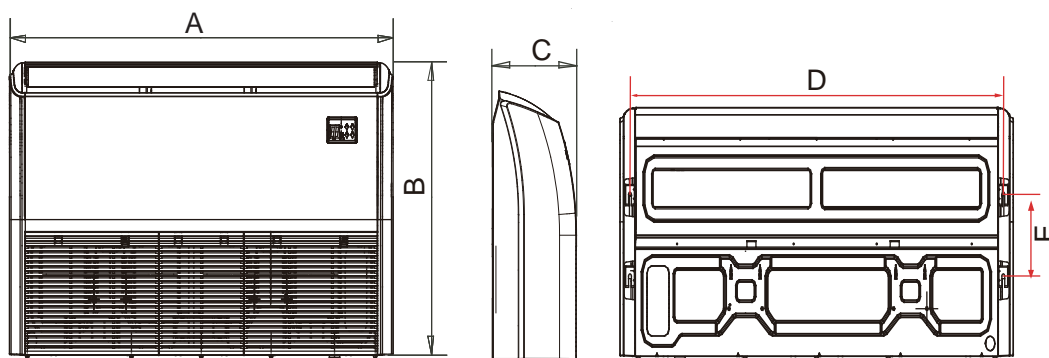
● Afin d'augmenter la résistance à la pression de la tuyauterie de fluide frigorigène, le diamètre d'évasement et la taille des raccords coniques du côté opposé ont été modifiés. (pour des tuyaux en cuivre de dimensions nominales 1/2 et 5/8)

Nouveaux outils pour fluide R410A

Nouveaux outils pour fluide R410A	Applicable au modèle R22	Modifications
Collecteur manométrique	×	 La pression de fonctionnement étant élevée, il est impossible de la mesurer au moyen de manomètres conventionnels. Afin d'éviter qu'un autre fluide frigorigène ne soit chargé, les diamètres des orifices ont été modifiés.
Flexible de chargement	×	 Afin d'augmenter la résistance à la pression, les matériaux des flexibles et les dimensions des orifices ont été modifiés (en 1/2 UNF, 20 filetages par pouce). Lors de l'achat d'un tuyau de chargement, vérifiez toujours le diamètre d'orifice.
Balance électronique pour le chargement du fluide frigorigène	○	 La pression de fonctionnement étant élevée et la vitesse de gazéification étant rapide, il est difficile de lire la valeur indiquée au moyen d'un cylindre de chargement car des bulles d'air se forment.
Clé dynamométrique (dia. nominal 1/2, 5/8)	×	 La taille des raccords coniques des côtés opposés a été augmentée. Par ailleurs, une clé ordinaire est utilisée pour les diamètres nominaux 1/4 et 3/8.
Outil d'évasement (type coupleur)	○	 En augmentant la taille de l'orifice de réception de la barre de serrage, la résistance de ressort dans l'outil a été améliorée.
Jauge pour le réglage des projections	—	Utilisée lorsque l'évasement est réalisé à l'aide d'un outil d'évasement conventionnel.
Adaptateur de pompe à vide	○	 Raccordé à une pompe à vide conventionnelle. Il est nécessaire d'utiliser un adaptateur pour empêcher l'huile de la pompe à vide de refluer dans le flexible de chargement. La partie de raccordement du flexible de chargement comporte deux orifices -- un pour le fluide frigorigène conventionnel (7/16 UNF, 20 filetages par pouce) et un pour le fluide R410A. Si l'huile (minérale) de la pompe à vide se mélange avec le fluide R410A, un dépôt risque de se former et d'endommager l'appareil.
Détecteur de fuite de gaz	×	 Exclusivement pour le fluide frigorigène HFC.

- Par ailleurs, le "cylindre de fluide frigorigène" porte la désignation de fluide frigorigène (R410A) et un revêtement de protection de couleur rose spécifiée par l'ARI des Etats-Unis (Code couleur ARI: PMS 507).
- Et "l'orifice de chargement et la garniture pour le cylindre de fluide frigorigène" requièrent 1/2 UNF, 20 filetages par pouce, ce qui correspond à la taille de l'orifice du flexible de chargement.

DIMENSIONS DE L'UNITÉ INTÉRIURE

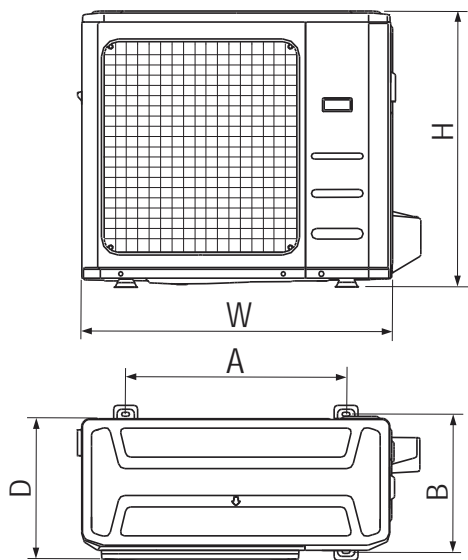


Unit: mm

	CAPACITE (KBtu/h)	A	B	C	D	E
DC INVERTER	18/24	1068	675	235	983	220
	30	1285	675	235	1200	220
	36/42/48/60	1650	675	235	1565	220

DIMENSIONS DES UNITÉS EXTÉRIURES

Unit: mm



INVERTER

CAPACITE (KBtu/h)	W	H	D	A	B
12	800	554	333	514	340
18	800	554	333	514	340
24	845	702	363	560	335
30/36/42	946	410	810	673	403
48/60	952	410	1333	634	404

Installation de l'unité intérieure

INSTRUCTIONS RELATIVES A L'INSTALLATION

CHOIX DU LIEU D'INSTALLATION

Choisir un endroit où l'eau de condensation peut facilement

- être évacuée.
- Choisir un endroit capable de supporter le poids de l'unité intérieure.
- Choisir un endroit facilement accessible pour des besoins de maintenance. Choisir un endroit qui facilite le raccordement avec l'unité extérieure.
- Choisir un emplacement à 1 m ou plus des appareils électriques comme des téléviseurs ou autres appareils audio.
- Eviter des endroits où il existe une source thermique, un niveau d'humidité élevé ou des gaz inflammables.
- Ne pas utiliser l'appareil à proximité d'un bac à linge, d'une salle de bain, d'une douche ou d'une piscine.
- Veiller à ce que l'installation soit conforme aux dimensions et au schéma de montage.
- L'espace autour de l'appareil doit être adéquat pour la ventilation (cf. Fig.23)

IL EXISTE DEUX TYPES D'INSTALLATION :

- **INSTALLATION AU PLAFOND**
- **INSTALLATION SUR LE PLANCHER**

Les deux types d'installation présentent les points de convergence en ce qui concerne les étapes ci-dessous:

Définition de la position de montage sur le plafond ou sur le mur en utilisant un modèle sur papier pour reproduire le cadre intérieur. Marquage du motif et retrait du modèle sur papier;

retrait de la grille de reprise, du panneau latéral et du support d'accrochage de l'unité intérieure conformément à la méthode ci-dessous;

- Appuyer sur le bouton de fixation des grilles de reprise. L'ouverture des grilles sera plus large. Tirer ensuite l'appareil hors du boîtier.

Retirer la vis de fixation du panneau latéral, tirer vers l'avant (selon le sens de la flèche) pour l'enlever (voir Fig.24)

AVERTISSEMENT: EVITER D'INSTALLER LE CLIMATISEUR DANS UN ENDROIT OU IL PEUT ETRE SOUMIS A DES PERTURBATIONS.

- Eviter les endroits où il y a beaucoup d'huile.
- Eviter des zones de production du gaz alcalin et acide.
- Eviter les endroits avec une tension électrique

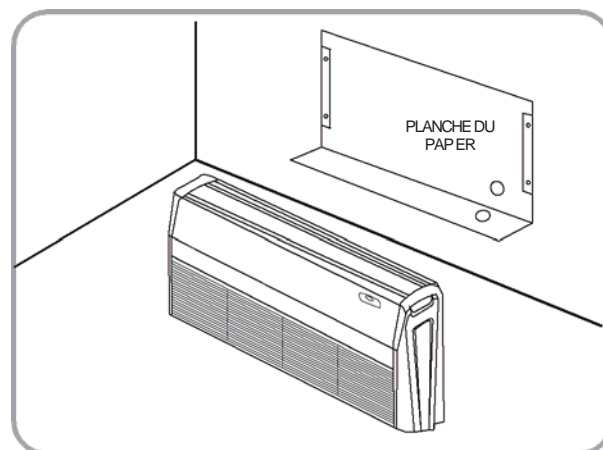
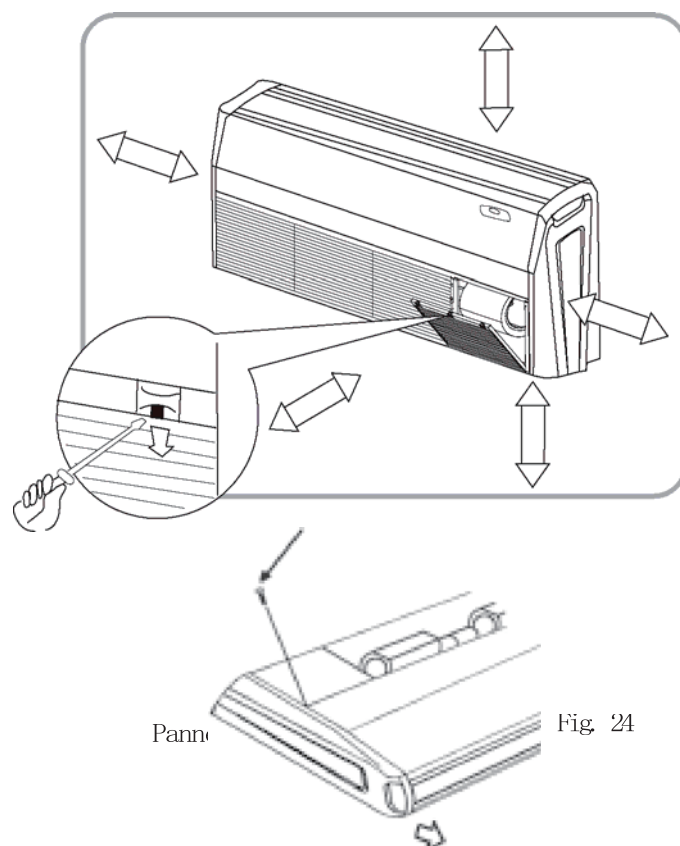


Fig. 22

irrégulière



Pann

Fig. 24

- Fixer le boulon d'accrochage (utiliser les boulons d'accrochage de taille W3/8 ou M10)
 - Régler la distance entre l'appareil et la dalle ou le plafond au préalable .

Fixer le support d'accrochage sur le boulon de suspension.

AVERTISSEMENT:

- veiller à ce que le boulon d'accrochage en saillie sur le plafond soit fixé sur la zone marquée par les flèches. Réajuster le support d'accrochage s'il se trouve en dehors de la zone marquée par la flèche
- le boulon d'accrochage doit être fixé à l'intérieur du couvercle du boîtier. Ne jamais retirer le couvercle.

Soulever l'appareil, le faire glisser jusqu'à la protubérance .

Fixer les deux boulons de fixation du support d'accrochage (M8) .

Serrer les boulons de fixation du support d'accrochage (M6) pour éviter tout jeu au niveau de l'unité intérieure .

Régler la hauteur de l'appareil de telle manière que le côté arrière du tuyau d'évacuation soit légèrement incliné pour améliorer l'évacuation.

AVERTISSEMENT:

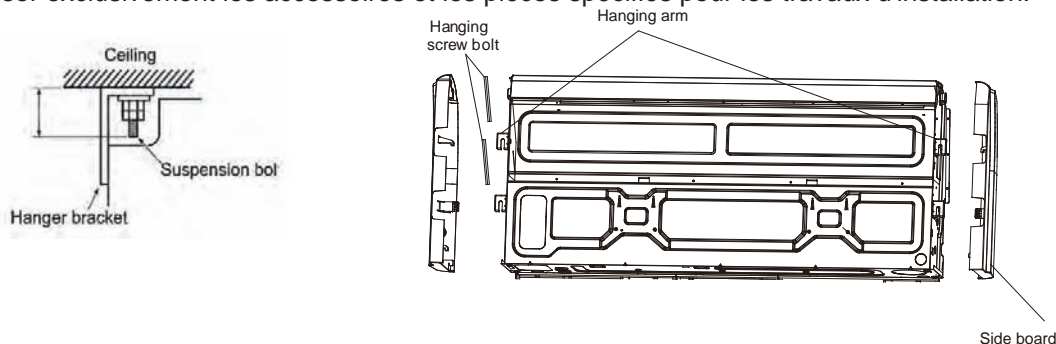
- Ajuster la hauteur en tournant le boulon à l'aide d'une clé.

Insérer la clé dans l'ouverture du support d'accrochage .

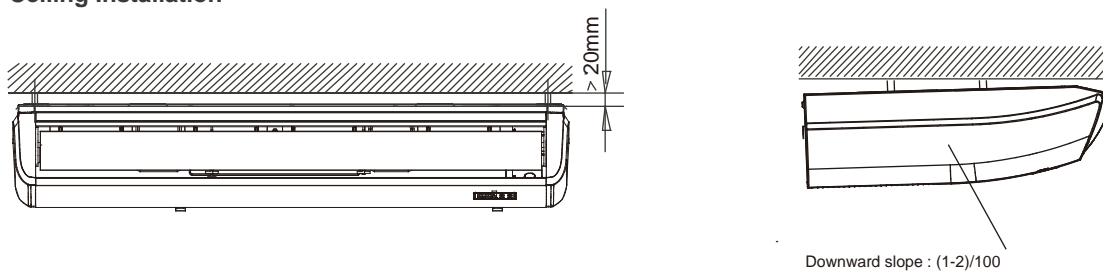
Cas de suspension

Il est possible d'installer le climatiseur en utilisant les supports d'accrochage orientés vers l'intérieur, sans retirer les supports de l'unité intérieure .

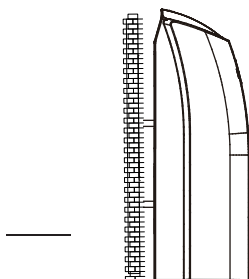
Utiliser exclusivement les accessoires et les pièces spécifiés pour les travaux d'installation.



Ceiling Installation

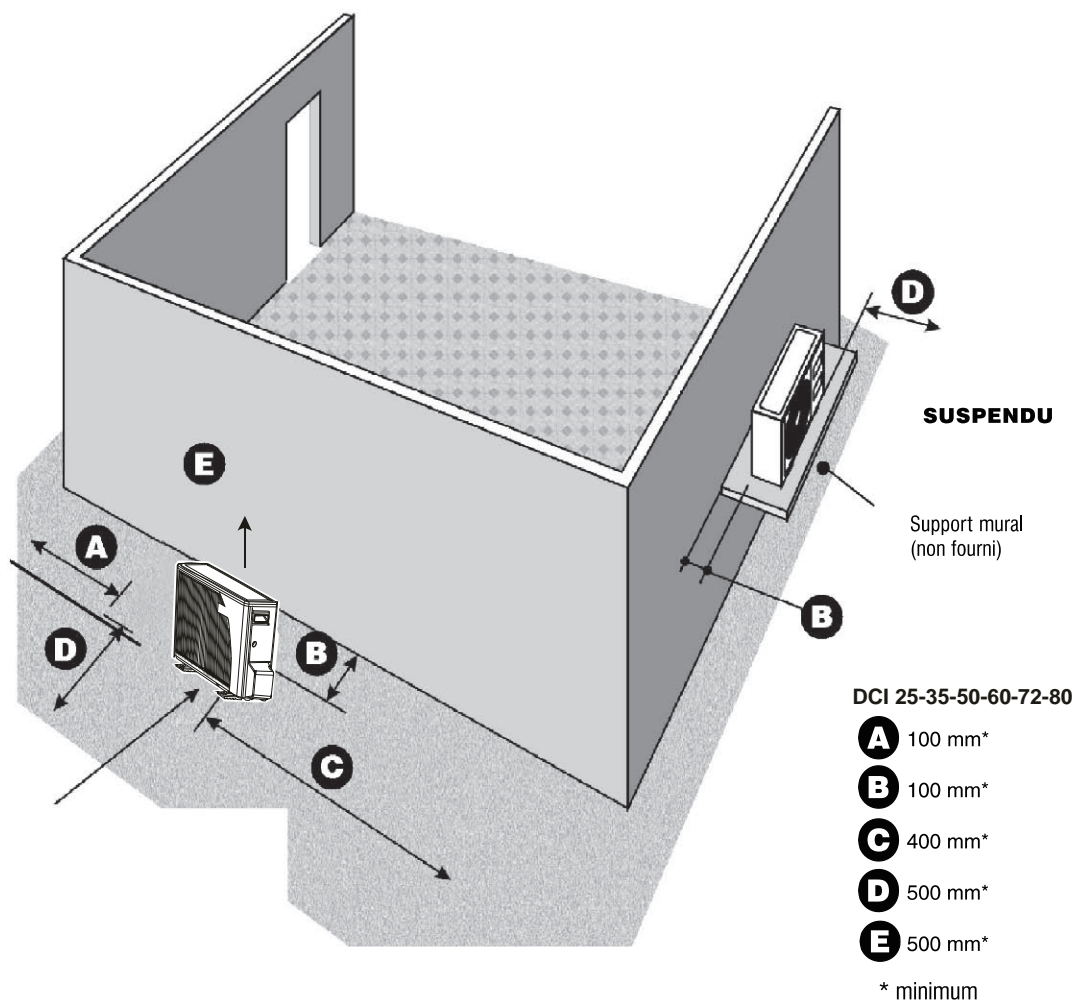


Wall Mounting Installation



INSTALLATION DE L'UNITÉ EXTÉRIEURE

- Dégagements minimum à prévoir (en mm).

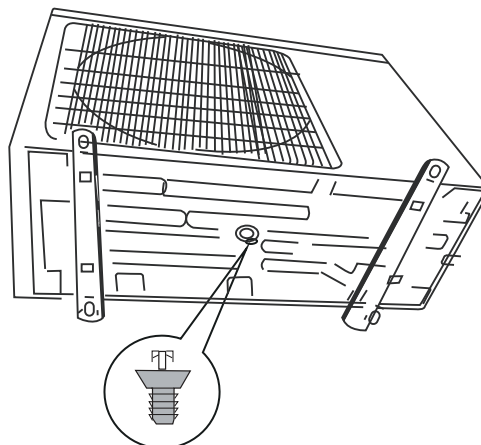


EVACUATION DES CONDENSATS

ATTENTION

Dans le cas où l'unité extérieure reversible est installée dans des zones climatiques où la température extérieure peut-être inférieure à +1°C; il est impératif de prévoir un système prévenant des risques éventuels de prise en glace des condensats (exemple: cordon chauffant).

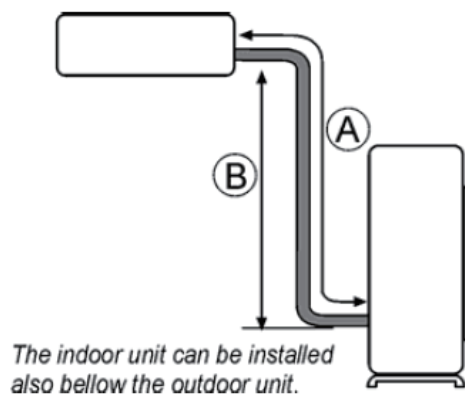
EVACUATION DES CONDENSATS



ATTENTION

Dans le cas où l'unité extérieure reversible est installée dans des zones climatiques où la température extérieure peut-être inférieure à +1°C; il est impératif de prévoir un système prévenant des risques éventuels de prise en glace des condensats (exemple: cordon chauffant).

RACCORDEMENTS FRIGORIFIQUES

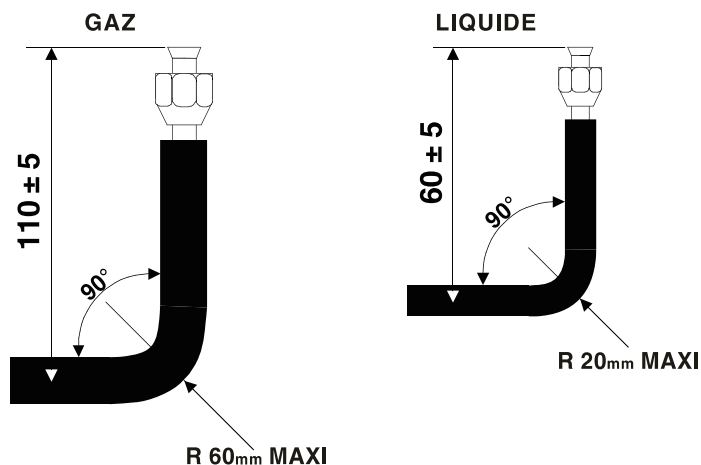


MAXIMALE TUBE longueur et Hauteur (TYPE INVERTER)

CAPACITE (KBtu/h)	TUBE LIQUIDE -GAZ (Inch)	A- L.MAX (m)	B - H.MAX (m)	LONGUEUR DE PRECHARGE (m)	CHARGE SUPPLÉMENTAIRES (g/m)
12	1/4"-3/8"	25	10	5	15
18	1/4"-1/2"	30	20	5	15
24	3/8"-5/8"	30	20	5	30
30/36	3/8"-5/8"	50	25	5	30
42/48/60	3/8"-5/8"	65	30	5	30

MISE EN PLACE DU TUBING SUR LE SUPPORT MURAL

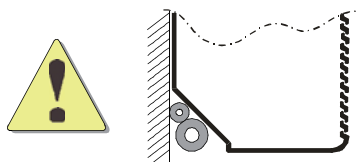
- Après avoir choisi votre côté de raccordement des tubes frigorifiques (droite, gauche ou arrière) vous pouvez réaliser votre tubing. Pour cela, utiliser le gabarit de montage afin de cintrer les tubes correctement pour faciliter le raccordement.



FRANCAIS

MISE EN PLACE DU TUBING SUR LE SUPPORT MURAL

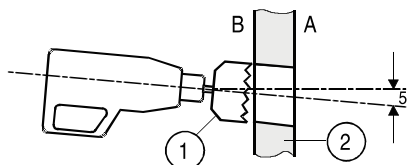
- Placer le tube LIQUIDE en haut et le tube GAS en dessous.



- Placer les écrous des tubes (cintrés) dans le logement prévu sur le gabarit.
- Maintenir les tubes à l'aide des colliers fournis.
- Retirer le gabarit tubes, vous pouvez monter votre appareil sur son support.

NOTA sortie vers l'arrière

- Le trou incliné permet d'éviter l'entrée des condensats ou de la pluie.
- Placer dans le trou, un fourreau Ø 70mm.



- A Côté extérieur
- B Côté intérieur
- 1 Perceuse Ø 70 mm
- 2 Mur

TIRAGE AU VIDE DES TUBES FRIGORIFIQUES ET DE L'UNITE INTERIEURE

- La charge en R410A est contenue uniquement dans le caisson extérieur. L'unité intérieure contient une petite quantité de gaz neutre. C'est pourquoi après avoir installé les liaisons, il faut impérativement tirer au vide les liaisons et l'unité intérieure.

PROCEDURE DE MONTAGE

- Le groupe extérieur possède une vanne permettant le tirage au vide de l'installation (grosse vanne):

1 Connecter les tubes de liaison au caisson.

- Pour obtenir un bon serrage, recouvrir la surface avec de l'huile de réfrigération.



- L'utilisation d'une contre clef est indispensable pour le serrage des vannes.



- Les valeurs du couple de serrage se trouvent dans le tableau ci-dessous.

Ø des tubes	Couple
1/4"(Inch)	15-30 (N·m)
3/8"(Inch)	35-40 (N·m)
5/8"(Inch)	60-65 (N·m)
1/2"(Inch)	45-50 (N·m)
3/4"(Inch)	70-75 (N·m)
7/8"(Inch)	80-85 (N·m)

2 Connecter la pompe à vide au raccord flare du caisson extérieur muni de la vanne de service.

3 Mettre la pompe à vide en marche et vérifier que l'aiguille de l'indicateur descend à - 0,2 mm Hg.
La pompe doit fonctionner pendant 15 minutes au minimum.

4 Avant de retirer la pompe à vide, il faut vérifier que l'indicateur de vide reste stable pendant cinq minutes.

5 Déconnecter la pompe à vide et refermer la vanne de service.

6 Enlever le bouchon de la vanne "GAS" et "LIQUIDE" et les ouvrir à l'aide d'une clé hexagonale afin de libérer le R410A contenu dans le groupe extérieur.

7 Vérifier l'étanchéité des liaisons. Utiliser un détecteur de fuite électronique ou une éponge savonneuse.

RACCORDEMENT ÉLECTRIQUE ENTRE L'UNITÉ D'INTÉRIEUR ET EXTÉRIEURE

CONDITIONS ÉLECTRIQUES

Câblage et raccordements électriques devraient être faits par les électriciens qualifiés et selon des indicatifs et le règlement électriques locaux. Les unités de climatiseur doivent être mises à la terre.

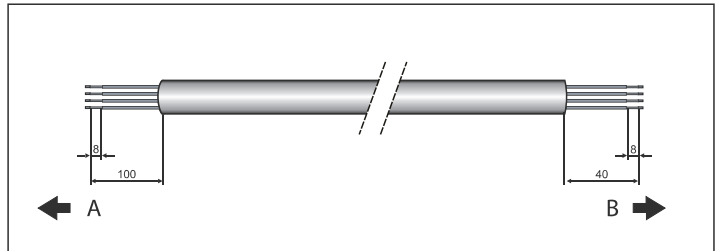
L'unité de climatiseur doit être connectée à une prise de courant proportionnée d'un circuit séparé de branche protégé par un disjoncteur de délai, comme indiqué sur la plaque signalétique de l'unité.

La tension ne devrait pas changer au delà de 10% de la tension évaluée.

Un interrupteur multipolaire de débranchement avec une séparation du contact d'au moins 3 mm pour tous les poles devrait être raccordé en câblage fixe.

1. Pour connecter l'unité d'intérieur à l'unité extérieure, employez les câbles électriques suivants.
2. Préparez les câbles requis pour la connexion électrique.
3. Connectez les extrémités de câble aux bornes des unités d'intérieur et extérieures.
4. Fixez le câble électrique multiple de fil avec les colliers.

• Le câble entre unités d'intérieur et extérieure



A. EXTÉRIEUR B. INTÉRIEUR

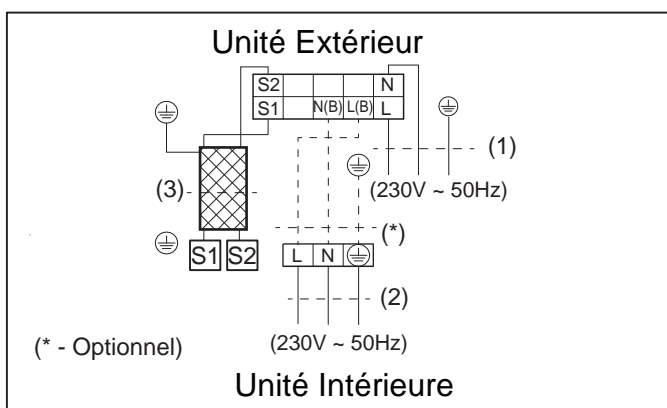
NOTES: L'indicatif de couleur de fil peut être choisi par l'installateur.

La température du circuit réfrigérant est élevée. Veillez à éloigner le câble d'interconnexion et le tube en cuivre.

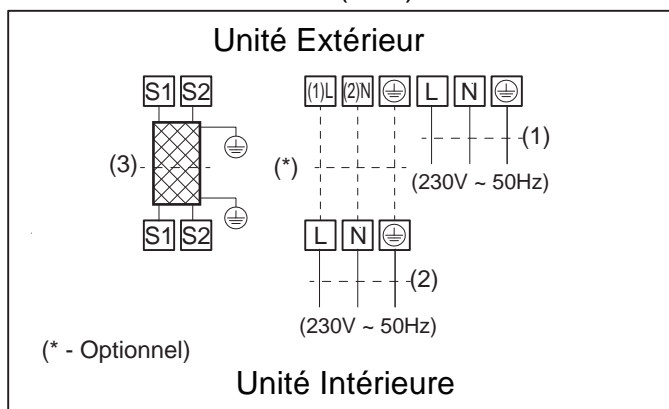
Raccordements électriques:

INVERTER TYPE

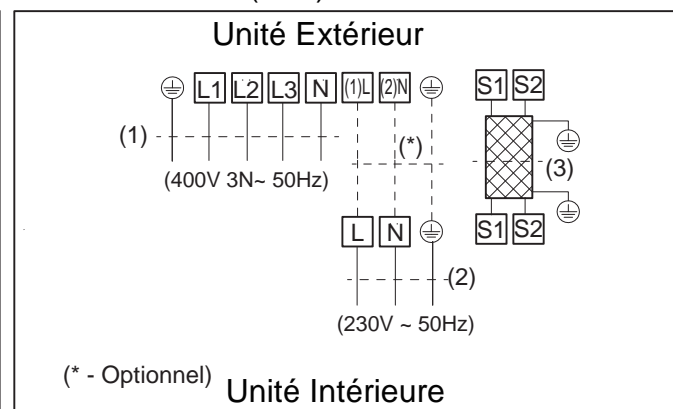
18 KBtu/h



24/30/36/42/48 KBtu/h (1Ph)



36/48/60 KBtu/h (3Ph)



Capacité	18K	24K	30K	36/42K(1Ph)
Côté d'alimentation	Unité Intérieure et Unité Extérieure			
Calibre fusible (ODU/IDU)	16A/10A	20A / 10A	30A / 10A	30A / 10A
1- Câble d'alimentation(ODU)	3 x 2.5mm ²	3 x 2.5mm ²	3 x 2.5mm ²	3 x 4.0mm ²
2- Câble d'alimentation(IDU)	3 x 1.0mm ²	3 x 1.0mm ²	3 x 1.0mm ²	3 x 1.0mm ²
3- Câble d'interconnexion	2 x 0.5mm ²	2 x 0.5mm ²	2 x 0.5mm ²	2 x 0.5mm ²

Capacité	48k(1Ph)	36K(3Ph)	48/60K(3Ph)
Côté d'alimentation	Unité Intérieure et Unité Extérieure		
Calibre fusible (ODU/IDU)	40A / 10A	25A / 10A	25A / 10A
1- Câble d'alimentation(ODU)	3 x 4.0mm ²	5 x 2.5mm ²	5 x 2.5mm ²
2- Câble d'alimentation(IDU)	3 x 1.0mm ²	3 x 1.0mm ²	3 x 1.0mm ²
3- Câble d'interconnexion	2 x 0.5mm ²	2 x 0.5mm ²	2 x 0.5mm ²

TÂCHES FINALES

1. Vérifiez tous les bouchons de valves et assurez-vous qu'ils sont correctement serrés. Fermez le couvercle de la valve.
2. Remplissez au joint les jeux sur le mur entre les trous latéraux et la tuyauterie.
3. Fixez le câblage et la tuyauterie au mur avec les clames, là où ce sera nécessaire.
4. Faites fonctionner l'unité au moins cinq minutes en modes Chauffage ou Refroidissement.
5. Expliquez le retrait de filtre, le nettoyage et l'installation.
6. Faites fonctionner le climatiseur devant le client et expliquez toutes les fonctions.
7. Remettez les manuels d'opération et d'installation au client.

ACONDICIONADOR DE AIRE MURAL / DE TECHO R410A



ESPAÑOL

Español

Split system mural / de techov - FCD / TCD / DCF

CE



PUESTA PUERA DE TENSIÓN OBLIGATORIA ANTES DE CUALQUIER INTERVENCIÓN EN LAS CAJAS ELÉCTRICAS

RECOMENDACIONES GENERALES

- Ante todo, deseamos darle las gracias por haber elegido un equipo.

CONSEJOS DE SEGURIDAD

- Cuando intervenga en su equipo, siga las reglas de seguridad en vigor.
- La instalación y el mantenimiento deberán ser efectuados exclusivamente por personal cualificado.
- Cerciórese de que la alimentación eléctrica disponible y la frecuencia de la red están adaptadas a la corriente de funcionamiento necesaria, teniendo en cuenta las condiciones específicas del emplazamiento y la corriente necesaria para cualquier otro aparato conectado al mismo circuito.

ADVERTENCIA

- Cortar la alimentación eléctrica general antes de cualquier intervención u operación de mantenimiento.
- El fabricante declina toda responsabilidad y la garantía dejará de ser válida si no se respetan estas instrucciones de instalación.
- En caso de problemas, recurra al Servicio Técnico de su zona.
- Antes de la instalación, si fuera posible, monte los accesorios, obligatorios o no (ver las instrucciones entregadas con cada uno de ellos).
- Para conocer mejor el producto, le recomendamos que consulte también nuestras instrucciones técnicas.
- Las informaciones de este manual están sujetas a modificaciones sin previo aviso.
- Para equipos con calentadores adicionales, la distancia mínima desde el equipo al combustible debe ser de 50 cm., de lo contrario, podría causar un incendio.

Información importante para el refrigerante empleado.

Este producto contiene "GAS FLUORADO" el cual está incluido en el protocolo de Kioto y cuya liberación en la atmosfera está prohibida.

Refrigerante tipo: R410a/ Kg ,Volumen de GWP: 2088; equivalente en toneladas de CO2.

GWP= Potencia de calentamiento global

Atención:

- Los gases fluorados de efecto invernadero están contenidos en equipos no sellados herméticamente.
- Las instalaciones, servicios, mantenimiento, reparaciones, controles de fugas, desmantelamiento del equipo y reciclado del producto deben ser realizados por personas físicas que posean los certificados pertinentes.
- Para los equipos que contengan gases fluorados de efecto invernadero en cantidades iguales o superiores a 5 toneladas equivalentes de CO2, pero inferiores a 50 toneladas equivalentes de CO2: la verificación de fugas deberá realizarse al menos cada 12 meses; o cuando se instale un sistema de detección de fugas, al menos cada 24 meses;

PRECAUCIONES

 Peligro	Esta señal es advertencia de muerte o lesiones graves
---	---

- No intente usted mismo instalar este acondicionador de aire
- Esta unidad no contiene piezas que sean utilizables por el usuario. Siempre consulte al personal de servicio autorizado si requiere alguna reparación.
- En caso de mudanza, consulte al personal de servicio autorizado para la desconexión e reinstalación de la unidad.
- No tome frío excesivo permaneciendo por períodos prolongados en el flujo de aire directo de enfriamiento.
- No introduzca los dedos u objetos en el puerto de salida o rejillas de entrada.
- No arranque ni apague el acondicionador de aire desconectando el cable de alimentación.
- Tenga cuidado de no dañar el cable de alimentación.
- En caso de malfuncionamiento (olor a quemado, etc.), apague la unidad de inmediato, desconecte el enchufe de la fuente de energía y consulte al personal de servicio autorizado.
- Si se ha dañado el cable de la fuente de energía, sólo lo debe reemplazar el personal de servicio autorizado, pues se requieren herramientas especiales y un tipo de cable determinado.
- El electrodoméstico no debe ser utilizado por niños o personas enfermas sin supervisión.
- Se sugiere pre-calentar el aire acondicionado por lo menos 12 horas antes de su utilización. Para utilización durante períodos prolongados mantener el aire acondicionado encendido.

 Precaución	Esta señal es advertencia de daños a la propiedad
--	---

- Durante el uso, suministra ventilación en ocasiones.
- No dirija el flujo de aire hacia el hogar o el calefactor.
- No se suba al acondicionador de aire ni coloque objetos encima de él.
- No cuelgue objetos de la unidad de interior.
- No apoye floreros ni recipientes de agua encima del acondicionador de aire.
- No exponga directamente el acondicionador de aire al agua.
- No tire del cable eléctrico.
- Desconecte la fuente de energía si la unidad no se usa por un período prolongado.
- Compruebe que el soporte de la instalación no esté dañado.
- No coloque animales o plantas directamente en el paso del flujo de aire.
- No beba el agua de drenaje del acondicionador de aire.
- No utilice la unidad en aplicaciones dedicadas al almacenamiento de alimentos, plantas o animales, equipos de precisión u obras de arte.
- Las válvulas de conexión se calientan durante la calefacción. Evite el contacto con las mismas.
- No aplique presión fuerte a aletas del radiador.
- La unidad sólo puede funcionar con los filtros de aire instalados.
- No se debe bloquear ni cubrir la rejilla de entrada y el puerto de salida.
- Compruebe que equipos electrónicos estén por lo menos a un metro de distancia de las unidades de interior o exterior.
- No instale el acondicionador de aire cerca del hogar o calefactor.
- Al instalar las unidades de interior y exterior, tome precauciones para evitar el acceso de los niños.
- No use productos con gases inflamables cerca del acondicionador de aire.

CONSEJOS DE OPERACIÓN

- Regule una temperatura ambiente adecuada; una temperatura ambiente demasiado baja no es buena para su salud y es un derroche de electricidad. Evite la regulación frecuente de la temperatura.
- Durante el enfriamiento, evite la radiación solar directa. Cierre las cortinas y persianas. Cierre las puertas y ventanas para evitar el escape del aire frío.
- Evite la generación de calor o el uso de calefactores cuando el acondicionador de aire está en el modo de enfriamiento.
- Compruebe que el flap de entrada de aire está correctamente colocado: flujo horizontal para el enfriamiento y flujo vertical descendente para la calefacción.
- Mantenga una temperatura ambiente uniforme ajustando las paletas verticales de aire de la derecha y de la izquierda.
- Posicione el flap de entrada de aire y las paletas de aire de la derecha y de la izquierda de manera que usted no quede expuesto directamente a corrientes de aire.
- Durante el funcionamiento prolongado de la unidad, abra una ventana para ventilar de vez en cuando la habitación.
- En caso de interrupción de la corriente eléctrica, la memoria del microprocesador se conserva. La unidad, cuando se reinicia, lo hace en el último modo de operación. Sin embargo, si se ha utilizado el temporizador, éste sólo desactivará la operación si se apunta a la unidad con el control remoto. De otro modo, la interrupción de la corriente borrará los datos del temporizador de la memoria del microprocesador.
- Una vez activada la unidad, pueden pasar más de 3 minutos para que comience la operación de enfriamiento, calefacción o secado.
- Cuando se usa el modo DRY (Secado), asegúrese de que la temperatura ambiente se encuentra entre 20°C y 27°C. Cuando se utiliza fuera de esa gama de temperaturas, la unidad se puede proteger a sí misma y volverse inoperante.
- Cuando se usan los modos COOL o DRY, compruebe que la humedad relativa de la habitación es inferior a 78%. Si la unidad se usa durante un tiempo prolongado en un ambiente de elevada humedad, se puede formar humedad en la salida de aire con el consiguiente goteo.
- Las señales de control remoto pueden no recibirse si la cubierta de los controles de la unidad interior está expuesta directamente a los rayos solares o a una luz muy potente. En ese caso, bloquee los rayos solares o atenúe la iluminación.
- El control remoto es operativo hasta una distancia de 8 metros. Si usted está fuera de esa distancia, el control remoto puede encontrar dificultades para transmitir señales.

SUMARIO

DESCRIPCIÓN

Herramientas de instalación/mantenimiento.....	5
Gama de temperatura de funcionamiento.....	6
Dimensiones de la unidad interior.....	6
Dimensiones de la unidad exterior.....	6

INSTALACIÓN

Emplazamiento de la unidad exterior.....	7-8
Emplazamiento de la unidad interior.....	9
Conexión frigorífica.....	10
Instalación.....	11
Conexiones eléctricas.....	13
Tareas finales.....	14

HERRAMIENTAS DE INSTALACIÓN/MANTENIMIENTO

PRECAUCIÓN

Instalación del acondicionador de aire con un refrigerante nuevo

● ESTE ACONDICIONADOR DE AIRE UTILIZA EL NUEVO REFRIGERANTE HFC (R410A) QUE NO DESTRUYE LA CAPA DE OZONO.

El refrigerante R410A puede contaminarse con impurezas, tales como agua, membrana oxidante y aceites, porque la presión de trabajo del refrigerante R410A es aproximadamente 1,6 veces superior a la del refrigerante R22. Junto con la adopción del nuevo refrigerante, también ha sido cambiado el aceite del aparato de refrigeración. Por lo tanto, durante los trabajos de instalación, asegúrese de que no entre agua, polvo, refrigerante del anterior ni aceite del aparato de refrigeración en el circuito del acondicionador de aire del nuevo tipo de refrigerante R410A.








Para impedir que pueda mezclarse el refrigerante o el aceite del aparato de refrigeración, los tamaños de las secciones de conexión del orificio de carga de la unidad principal y las herramientas de instalación son diferentes a los utilizados en las unidades de refrigeración convencionales. Por consiguiente, para el nuevo refrigerante (R410A) se requiere el uso de herramientas especiales. Para los tubos de conexión, utilice materiales de fontanería nuevos y limpios, con uniones de alta presión fabricados exclusivamente para R410A, para que no entre agua ni polvo. Además, no utilice las tuberías existentes porque habrá algunos problemas con las uniones a presión y posibles impurezas en ellas.

Cambios en el producto y componentes

En los acondicionadores de aire que utilizan R410A, para impedir cargar accidentalmente cualquier otro tipo de refrigerante, se ha cambiado el tamaño del diámetro del orificio de mantenimiento de la válvula de control de la unidad exterior (válvula de 3 direcciones). (rosca 1/2 UNF de 20 filetes por pulgada)

● Con objeto de aumentar la fuerza de resistencia a la presión de la tubería de refrigerante, se ha cambiado el diámetro del abocinamiento y tamaños de las tuercas de abocinamiento opuesto. (para tubos de cobre con dimensiones nominales de 1/2 y 5/8)

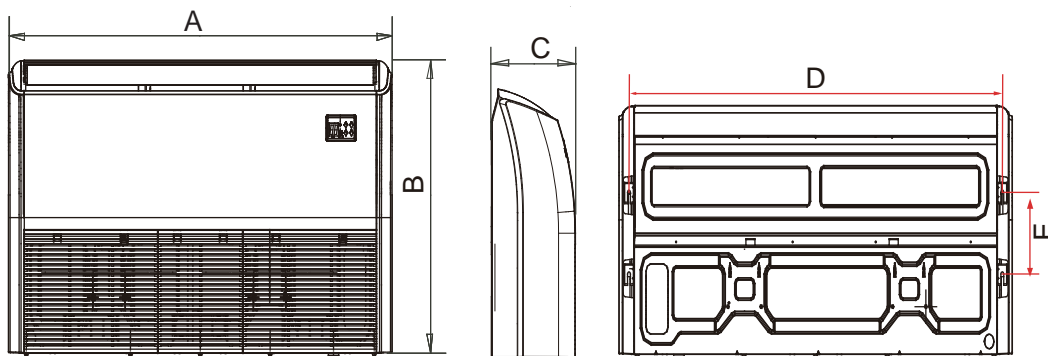
Herramientas nuevas para R410A

Herramientas nuevas para R410A	Aplicable al modelo R22	Cambios
Distribuidor de manómetro	×	 Como la presión de trabajo es alta, resulta imposible medirla utilizando medidores convencionales. Con objeto de impedir que se pueda cargar cualquier otro refrigerante, se han cambiado los diámetros de los orificios.
Manguera de carga	×	 Con objeto de aumentar la fuerza de resistencia a la presión, se han cambiado los materiales de las mangueras y tamaños de los orificios (a rosca 1/2 UNF de 20 filetes por pulgada). Cuando vaya a comprar una manguera de descarga, asegúrese de confirmar el tamaño del orificio.
Equilibrio electrónico para cargar el refrigerante	○	 Como la presión de trabajo es alta y la velocidad de gasificación rápida, resulta difícil leer el valor indicado por medio de cilindro de carga, porque se producen burbujas.
Llave dinamométrica (diám. nominal 1/2, 5/8)	×	 Se ha aumentado el tamaño de las tuercas de abocinamiento opuesto. Así mismo, se utiliza una llave común para los diámetros nominales de 1/4 y 3/8.
Herramienta de abocinamiento (tipo embrague)	○	 Aumentando el tamaño del orificio de recepción de la barra de sujeción, se ha mejorado la fuerza de resorte de la herramienta.
Medidor para ajuste de proyección	—	Se utiliza cuando se hace abocinamiento utilizando una herramienta de abocinamiento convencional.
Adaptador de bomba de vacío	○	 Se conecta a una bomba de vacío convencional. Es necesario utilizar un adaptador para evitar que el aceite de la bomba de vacío fluya hacia atrás y entre en la manguera de carga. La parte de conexión de la manguera de carga tiene dos orificios – uno para refrigerante convencional (rosca 7/16 UNF de 20 filetes por pulgada) y otro para R410A. Si el aceite (mineral) de la bomba de vacío se mezcla con el R410A podrán crearse residuos y dañar el equipo.
Detector de fugas de gas	×	 Exclusivo para refrigerante HFC.

● Así mismo, el "cilindro de refrigerante" viene con la designación de refrigerante (R410A) y el revestimiento protector de color rosa ARI especificado para EE.UU. (código de color ARI: PMS 507).

● Además, el "orificio de carga y la junta para el cilindro de refrigerante" requieren una rosca 1/2 UNF de 20 filetes por pulgada correspondiente al tamaño del orificio de la manguera de carga.

DIMENSIONES DE LA UNIDAD INTERIOR

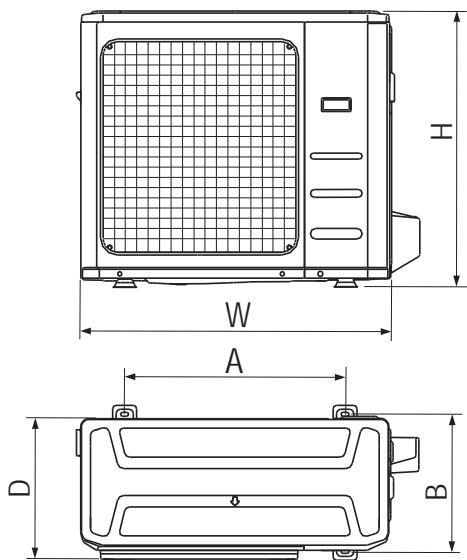


Unit: mm

CAPACIDAD (KBtu/h)		A	B	C	D	E
DC INVERTER	18/24	1068	675	235	983	220
	30	1285	675	235	1200	220
	36/48/60	1650	675	235	1565	220

DIMENSIONES DE LAS UNIDADES EXTERIORES

Unit: mm



INVERTER

CAPACIDAD (KBtu/h)	W	H	D	A	B
12	800	554	333	514	340
18	800	554	333	514	340
24	845	702	363	560	335
30/36/42	946	410	810	673	403
48/60	952	410	1333	634	404

Instalación de Unidad de Interior

INSTRUCCIONES DE INSTALACIÓN

SELECCIÓN DE UBICACIÓN DE INSTALACIÓN.

- Un lugar donde la condensación de agua se pueda disipar fácilmente.
- Un lugar que pueda sostener el peso de una unidad de interior.
- Un lugar que tenga fácil acceso para dar mantenimiento.
- Un lugar que permita una fácil conexión con la unidad de exterior.
- Un lugar que esté a 1m o más de distancia de otros aparatos eléctricos como televisores y dispositivos de audio.
- Evite lugares donde haya fuentes de calor, alta humedad o gas inflamable.
- No use la unidad en la cercanía inmediata de la lavandería, baño, regadera o piscina.
- Asegúrese que la instalación conforme con el diagrama de dimensiones de instalación.
- El espacio alrededor de la unidad debe ser adecuado para su ventilación. (Ver Fig. 23)

HAY DOS TIPOS DE INSTALACIÓN

- TIPO CIELO
- TIPO PISO

Estos tipos son similares entre sí como se indica; Determine la posición de montaje en cielo o pared usando un patrón de papel para indicar el marco interior. Marque el patrón y saque el patrón de papel. Quite la rejilla de retorno, el panel lateral y el soporte colgante de la unidad de interior conforme al siguiente procedimiento.

- Presione el broche de las rejillas de retorno, las rejillas se abrirán y luego jale para quitarla de la unidad de interior.
- Quite el tornillo de sujeción del panel lateral y jálelo hacia el frente (dirección de la flecha) para quitarlo. (Ver Fig. 24)
- Afloje los dos pernos guía del soporte colgante (M8) de cada lado a menos de 10mm. Quite los dos tornillos del soporte colgante (M6) en el lado posterior. Quite el soporte colgante jalándolo hacia atrás (Ver Fig. 26)

TENGA CUIDADO AL INSTALAR DONDE PUEDA HABER PROBLEMAS CON EL AIRE ACONDICIONADO

- Donde hay demasiado aceite
- Donde sea un área de ácido básico.
- Donde hay alimentación de energía irregular.

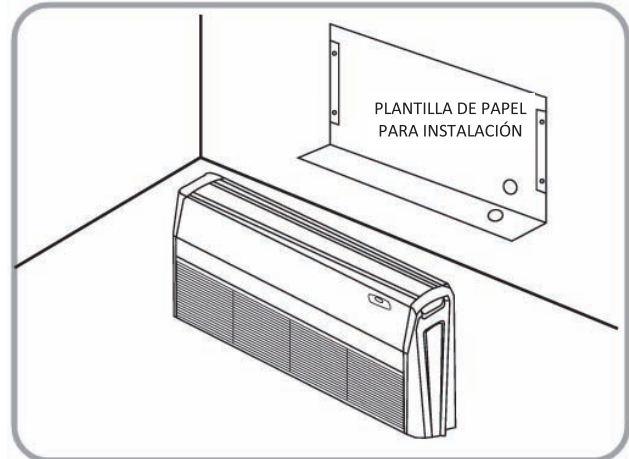


Fig. 22

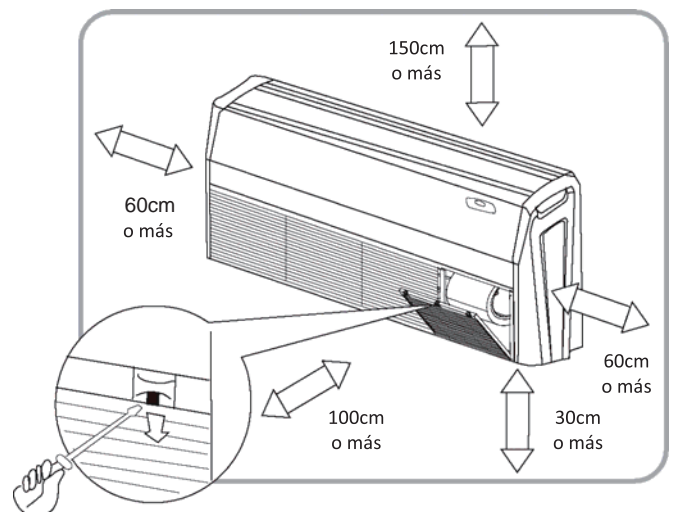


Fig. 23

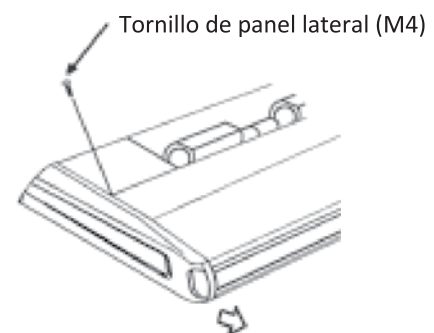


Fig. 24

Instalación de Unidad de Interior

INSTRUCCIONES DE INSTALACIÓN

Ajuste el perno de suspensión. (Use pernos de suspensión de tamaño W3/8 o M10)

- Ajuste la distancia de la unidad a la losa de cielo con anterioridad

Fije el soporte colgante al perno de suspensión. **ADVERTENCIA**

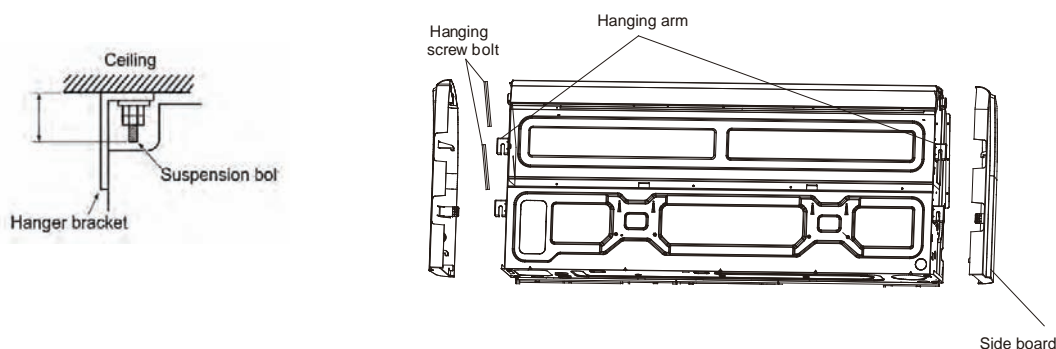
- Asegúrese que el perno de suspensión extendido desde el cielo se mantenga en el interior de la posición con flecha. Reajuste el soporte colgante cuando esté fuera de la posición con flecha.
- El perno de suspensión se mantiene en el interior de la tapa de la unidad de interior. Nunca quite la tapa. Levante la unidad y deslícela en el diente. Apriete firmemente ambos pernos guía del soporte colgante (M8). Apriete firmemente ambos tornillos del soporte colgante (M6) para prevenir el movimiento de la unidad de interior.

Ajuste la altura de la unidad de manera que el lado posterior de la manguera de purgado se incline ligeramente para mejorar el purgado.

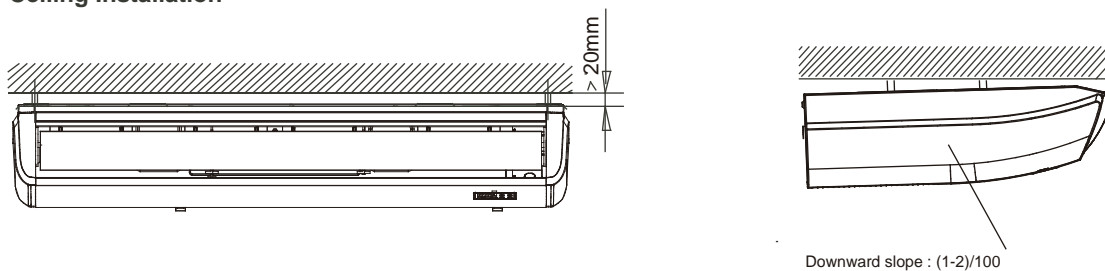
- Ajuste altura girando la tuerca con una llave. Inserte la llave desde la abertura del soporte colgante.

Es posible instalar usando soportes colgantes de cara hacia adentro sin quitar los soportes de la unidad de interior .

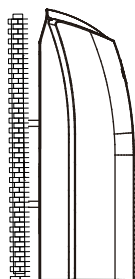
Asegúrese de usar únicamente accesorios y partes especificados para el trabajo de instalación.



Ceiling Installation

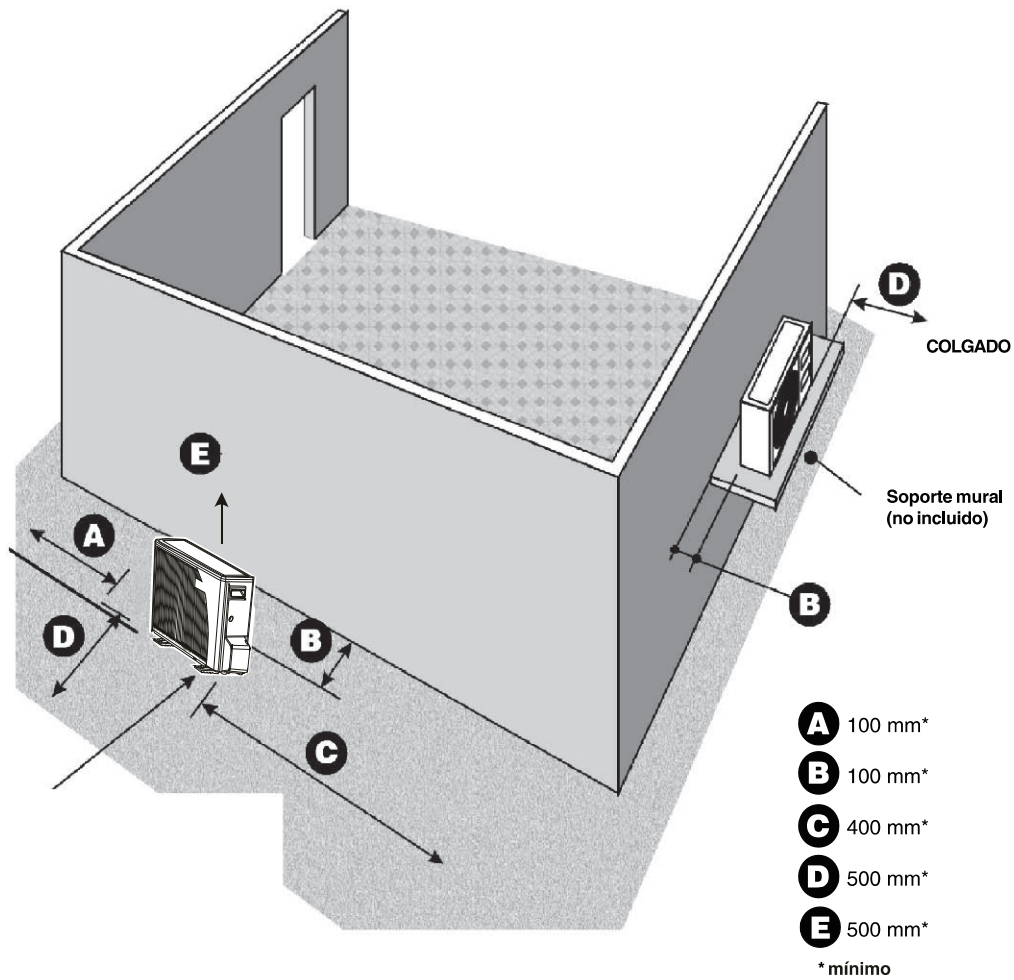


Wall Mounting Installation

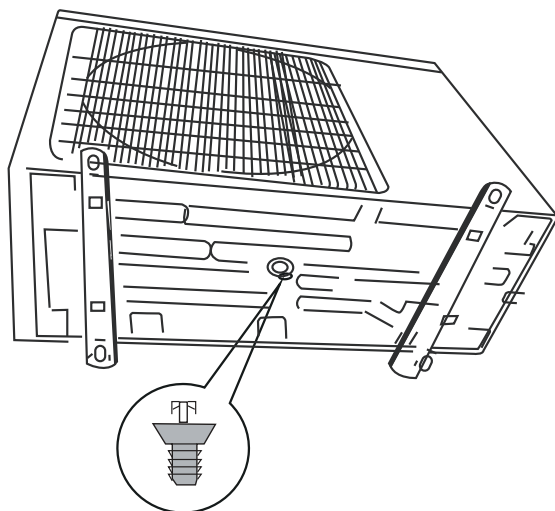


INSTALACIÓN DE LA UNIDAD EXTERIOR

- Espacio mínimo a prever (en mm).



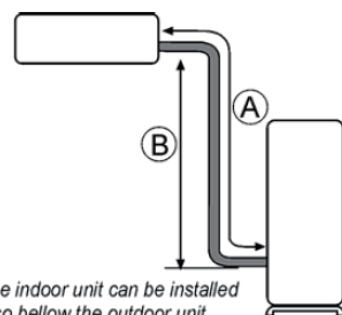
EVACUACIÓN DE LOS CONDENSADOS



ATENCIÓN:

Si la unidad exterior reversible se instala en zonas climáticas en las que la temperatura exterior pueda ser inferior a +1°C, es necesario prever un sistema para evitar los eventuales riesgos de congelación de los condensados (cordón térmico, por ejemplo).

CONEXIONES FRIGORÍFICAS

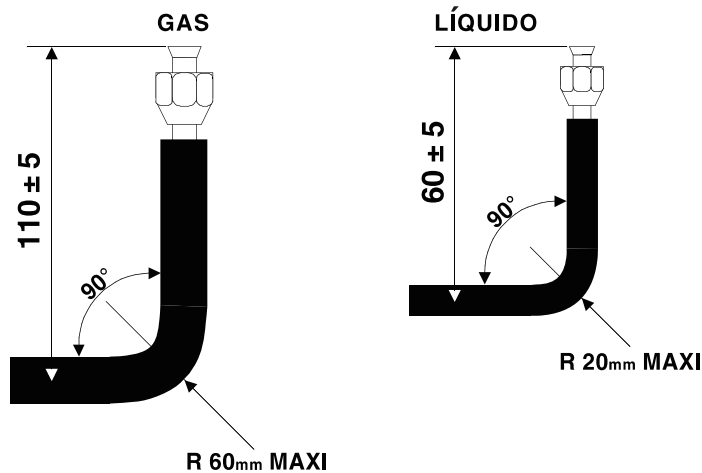


MÁXIMA TUBO LONGITUD Y ALTURA (TIPO INVERTER)

CAPACIDAD (KBtu/h)	TUBO DE LÍQUIDO - TUBO DE GAS (Inch)	A- L.MÁX. (m)	B - H.MÁX. (m)	LONGITUD DE PRECARGA (m)	ADICIONAL (g/m)
12	1/4"-3/8"	25	10	5	15
18	1/4"-1/2"	30	20	5	15
24	3/8"-5/8"	30	20	5	30
30/36	3/8"-5/8"	50	25	5	30
42/48/60	3/8"-5/8"	65	30	5	30

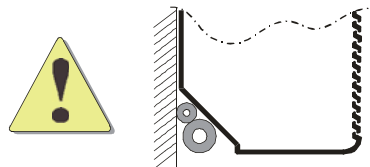
INSTALACIÓN DEL TUBING SOBRE EL SOPORTE MURAL

- Después de haber decidido la posición de llegada de los tubos frigoríficos (a la derecha, a la izquierda o en la parte trasera), se puede realizar el tubing. Para ello, utilice la plantilla de montaje con objeto de curvar los tubos correctamente y facilitar su conexión.



INSTALACIÓN DEL TUBING SOBRE EL SOPORTE MURAL

- Para instalar correctamente los tubos, sitúe el tubo de LÍQUIDO encima y el tubo de GAS debajo.

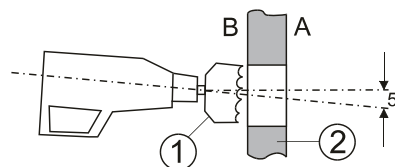


- Ponga las tuercas de los tubos (curvados) en el alojamiento previsto en la plantilla.
- Sujete los tubos con las abrazaderas suministradas.
- Retire la plantilla de los tubos para poder montar el aparato en su soporte.

NOTA

salida hacia la parte trasera

- El orificio inclinado evita la entrada de los condensados o de la lluvia.
- Coloque en el orificio un manguito $\varnothing 70$ mm.



- A Lado exterior
- B Lado interior
- 1 Taladro $\varnothing 70$ mm
- 2 Muro

VACÍO DE LOS TUBOS FRIGORÍFICOS Y DE LA UNIDAD INTERIOR

- La carga de R410A sólo se encuentra en la unidad exterior. La unidad interior contiene una pequeña cantidad de gas neutro. Por este motivo, después de haber instalado las conexiones hay que hacer el vacío obligatoriamente en las conexiones y en la unidad interior.

PREOCEDIMIENTO DE MONTAJE

- El grupo exterior posee una válvula que permite hacer el vacío de la instalación (válvula grande).

1 Conectar los tubos de conexión a las

- Para que el apriete sea correcto, cubrir la superficie con aceite de refrigeración.



- Es indispensable utilizar una contrallave para apretar las válvulas.



- Los valores del par de apriete se indican en el siguiente cuadro.

<u>Ø de los tubos</u>	<u>Par</u>
1/4"(Inch)	15-30 (N·m)
3/8"(Inch)	35-40 (N·m)
5/8"(Inch)	60-65 (N·m)
1/2"(Inch)	45-50 (N·m)
3/4"(Inch)	70-75 (N·m)
7/8"(Inch)	80-85 (N·m)

- 2 Conectar la bomba de vacío al racor Flare de la unidad exterior equipada de la válvula de servicio (racor grande).
- 3 Poner la bomba de vacío en archa y verificar que la aguja del indicador desciende a 0,2 mm Hg. La bomba debe funcionar durante 15 minutos como mínimo.
- 4 Antes de retirar la bomba de vacío, hay que verificar que el indicador de vacío se mantiene estable durante cinco minutos.
- 5 Desconectar la bomba de vacío y cerrar la válvula de servicio.
- 6 Retirar el tapón de las válvulas "GAS" y "LÍQUIDO", y abrirlas con una llave hexagonal para liberar el R410A del grupo exterior.
- 7 Verificar la estanqueidad de las conexiones. Utilizar un detector de fugas electrónico o una esponja jabonosa.

CONEXIÓN ELÉCTRICA ENTRE LA UNIDAD INTERIOR Y EXTERIOR

REQUISITOS ELÉCTRICOS

El cableado y las conexiones eléctricos se deben hacer por los electricistas cualificados y de acuerdo con códigos y la regulación eléctrico local. Las unidades del acondicionador de aire deben ser puestas a tierra.

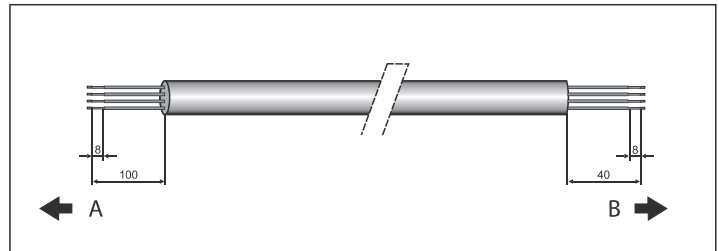
La unidad del acondicionador de aire se debe conectar con un enchufe de energía adecuada de un circuito separado del rama protegido por retraso del interruptor, según lo especificado en la placa de identificación de la unidad.

El voltaje no debe variar más allá del 10% del voltaje clasificado. Un interruptor de desconexión multipolar con una separación de contacto de por lo menos 3 mm en todos los polos debe conectarse al cableado fijo.

1. Para conectar la unidad de interior con la unidad exterior utilice los cables eléctricos siguientes.
2. Prepare los cables necesarios para la conexión eléctrica.
3. Conecte los extremos del cable con los terminales de las unidades de interior y exterior.
4. Asegure el cable de transmisión múltiple del alambre con las abrazaderas de cable.

Conexiones eléctricas:

• Cable entre las unidades de interior y exterior



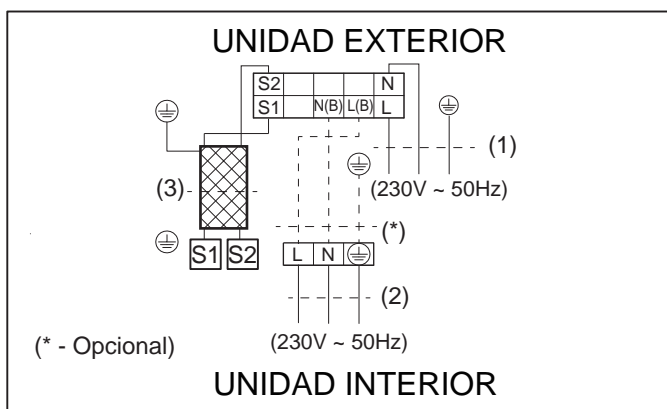
A. EXTERIOR B. INTERIOR

NOTAS: El código del color del alambre se puede seleccionar por el instalador.

La temperatura del circuito refrigerante será alta, por favor mantener el cable de interconexión alejado del tubo de cobre.

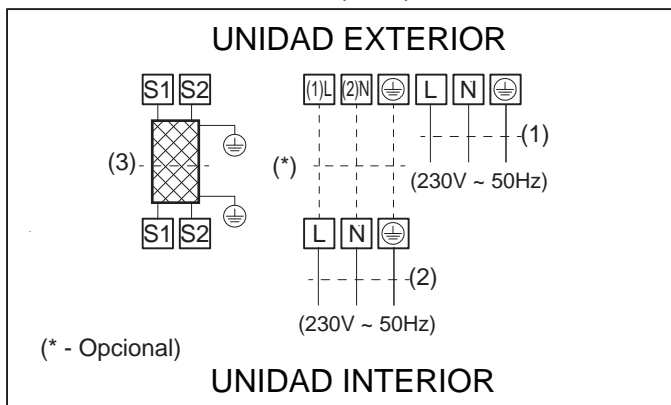
TIPO INVERTER

18 KBtu/h

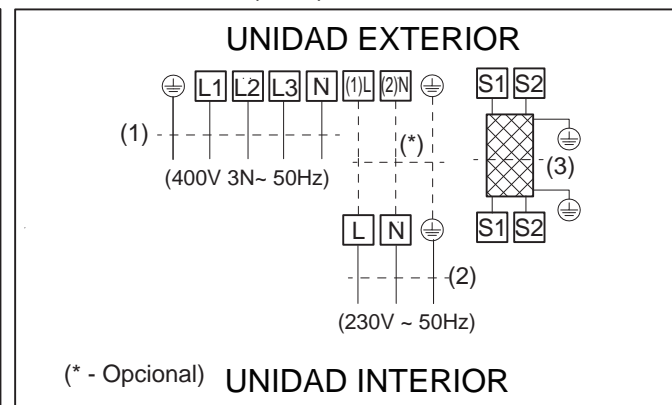


TIPO INVERTER

24/30/36/42/48 KBtu/h (1Ph)



36/48/60 KBtu/h (3Ph)



Capacidad	18K	24K	30K	36/42K(1Ph)
Lado alimentación	Unidad Interior y la Unidad Exterior			
Amperaje (ODU/IDU)	16A/10A	20A / 10A	30A / 10A	30A / 10A
1- Cable de alimentación(ODU)	3 x 2.5mm ²	3 x 2.5mm ²	3 x 2.5mm ²	3 x 4.0mm ²
2- Cable de alimentación(IDU)	3 x 1.0mm ²	3 x 1.0mm ²	3 x 1.0mm ²	3 x 1.0mm ²
3- Cable de interconexión	2 x 0.5mm ²	2 x 0.5mm ²	2 x 0.5mm ²	2 x 0.5mm ²

Capacidad	48k(1Ph)	36K(3Ph)	48/60K(3Ph)
Lado alimentación	Unidad Interior y la Unidad Exterior		
Amperaje (ODU/IDU)	40A / 10A	25A / 10A	25A / 10A
1- Cable de alimentación(ODU)	3 x 4.0mm ²	5 x 2.5mm ²	5 x 2.5mm ²
2- Cable de alimentación(IDU)	3 x 1.0mm ²	3 x 1.0mm ²	3 x 1.0mm ²
3- Cable de interconexión	2 x 0.5mm ²	2 x 0.5mm ²	2 x 0.5mm ²

TAREAS FINALES

1. Verifique todas las tapas de las válvulas y asegúrese de que hayan sido correctamente ajustadas. Cierre la tapa de la válvula.
2. Rellene los espacios en la pared entre costados de orificios y tuberías con sellador.
3. Fije el encablado y tuberías a la pared con abrazaderas cuando sea necesario.
4. Haga funcionar la unidad no menos de 5 minutos en modo calefacción o refrigeración.
5. Explique tema retiro de filtro, limpieza y reinstalación.
6. Haga funcional el equipo junto con el cliente y explíquelo todas las funciones.
7. Entregue al cliente los manuales de operación e instalación.

CLIMATIZZATORE

R410A



ITALIANO

Italiano

Split system da parete / da soffitto FCD / TCD / DCF

CE



MESSA FUORI TENSIONE PRIMA DI QUALSIASI INTERVENTO SULLE SCATOLE ELETTRICHE

RACCOMANDAZIONI GENERALI

- Congratulazioni per avere scelto un condizionatore d'aria.

CONSIGLI DI SICUREZZA

- In caso intervento sul materiale, seguire le regole di sicurezza in vigore.
- L'installazione e la manutenzione del materiale dovranno essere eseguite da personale qualificato.
- Assicurarsi che l'alimentazione elettrica disponibile e la frequenza della rete siano adeguate alla corrente di funzionamento necessaria tenuto conto delle condizioni specifiche della zona di installazione e della corrente necessaria a tutti gli altri apparecchi collegati al circuito.

AVVERTENZA

- Prima di eseguire qualsiasi intervento o operazione di manutenzione, mettere fuori tensione l'apparecchio.
- Il fabbricante declina qualsiasi responsabilità in caso di mancato rispetto delle presenti istruzioni. Inoltre, in questo caso la garanzia cesserà di essere valida.
- In caso di difficoltà, si prega di contattare il Servizio Tecnico di zona.
- Prima dell'installazione del materiale, procedere, se possibile al montaggio degli accessori obbligatori o meno (ved manuale fornito con ogni accessorio).
- Per una migliore conoscenza del prodotto, vi consigliamo di consultare anche il nostro manuale tecnico.
- Le informazioni contenute nelle presenti istruzioni sono soggette a modifiche senza preavviso.
- Per unità con riscaldatori supplementari la distanza minima tra unità e combustibile deve essere 50 cm, diversamente vi è pericolo d'incendio.

Informazioni importanti riguardo al refrigerante utilizzato

Questo prodotto contiene gas fluorurato contemplato nel protocollo di Kyoto. È vietato il rilascio in atmosfera.


Refrigerante: R410A/Kg. Potenziale GWP: 2088 Tonnellate di CO2 equivalente

GWP= Potenziale di riscaldamento globale


Attenzione

- I gas fluorurati ad effetto serra sono contenuti in apparecchio non ermeticamente sigillato
- Installazione, assistenza, manutenzione, riparazione, verifica di perdite o smontaggio dell'apparecchio e di prodotti di riciclo devono essere eseguiti solo da personale certificato.
- Per apparecchi che contengono gas fluorurati ad effetto serra in quantità pari a 5 tonnellate di CO2 equivalente o superiore, ma meno di 50 tonnellate di CO2 equivalente: il controllo di perdite dovrebbe essere effettuato almeno ogni 12 mesi; in presenza di un sistema di rilevazione perdite, almeno ogni 24 mesi.

PRECAUZIONI

 Pericolo	Il simbolo significa morte o lesione grave.
--	---

- Non tentare di installare il climatizzatore da soli.
- All'interno non vi sono parti riparabili dall'utente. Per le riparazioni rivolgersi sempre a personale di assistenza autorizzato.
- Nel caso sia necessario spostare l'apparecchio, contattare sempre il personale di assistenza per lo scollegamento e l'installazione dell'apparecchio.
- Non rimanere esposti per periodi prolungati alla corrente di aria raffreddata.
- Non inserire dita o oggetti nell'apertura di erogazione o nelle griglie di immissione.
- Non avviare né arrestare il climatizzatore scollegando o collegando direttamente il cavo di alimentazione.
- Prestare attenzione a non danneggiare il cavo dell'alimentazione.
- In caso di malfunzionamento (odore di bruciato, ecc.) arrestare immediatamente l'apparecchio, scollegare il cavo di alimentazione e rivolgersi a personale di assistenza autorizzato.
- Nel caso in cui il cavo di alimentazione di questo apparecchio sia danneggiato, deve essere sostituito solo da personale autorizzato, in possesso degli utensili speciali e di cavi con specifiche apposite.
- L'elettrodomestico non è destinato all'uso senza supervisione da parte dei bambini o di persone inferme
- Si suggerisce di pre-riscaldare il condizionatore per almeno 12 ore prima del funzionamento. Se usato a lungo, è preferibile tenere accesa l'alimentazione elettrica.

 Vorsicht	Dieses Symbol warnt vor Sachbeschädigung.
--	---

- Favorire la sporadica aerazione durante l'uso.
- Non direzionare il flusso di aria in direzione di camini o apparecchi di riscaldamento.
- Non salire sull'apparecchio, né posizionare oggetti sul climatizzatore.
- Non appendere oggetti all'unità interna.
- Non posizionare vasi di fiori o oggetti contenenti acqua sull'apparecchio.
- Non esporre il climatizzatore direttamente all'acqua.
- Non tirare il cavo di alimentazione.
- Togliere l'alimentazione in caso di non utilizzo per periodi di tempo prolungati.
- Verificare l'eventuale presenza di danni sul supporto del climatizzatore.
- Non posizionare animali o piante in direzione della corrente d'aria.
- Non bere l'acqua di scarico del climatizzatore.
- Non utilizzare in applicazioni che prevedono la conservazione di cibi, piante o animali, attrezzatura di precisione o opere d'arte.
- Le valvole di collegamento si surriscaldano durante il riscaldamento; maneggiare con cura.
- Non applicare eccessiva pressione alle alette del radiatore. Utilizzare solo con i filtri dell'aria installati.
- Non ostruire o coprire la griglia di immissione e l'apertura di erogazione.
- Assicurarsi che eventuali apparecchiature elettroniche siano ad almeno un metro dall'unità interna e da quella esterna.
- Evitare l'installazione del climatizzatore vicino a camini o apparecchi di riscaldamento.
- Durante l'installazione dell'unità interna ed esterna, evitare che i bambini abbiano accesso all'ambiente.
- Non utilizzare gas infiammabili in prossimità del climatizzatore.

CONSIGLI DI FUNZIONAMENTO

- Impostare una temperatura ambiente appropriata; una temperatura eccessivamente bassa non è salutare e provoca sprechi energetici. Evitare frequenti impostazioni di temperatura.
- Durante il raffreddamento, evitare l'esposizione diretta ai raggi solari. Tenere chiuse le tende tirate e le tapparelle. Chiudere le porte e le finestre per mantenere l'aria fresca all'interno della stanza.
- Evitare la generazione di calore o l'uso di apparecchiature di riscaldamento quando il climatizzatore funziona in modalità raffreddamento.
- Assicurarsi che l'aletta di direzione dell'aria sia posizionata correttamente. Flusso orizzontale per il raffreddamento e flusso verticale (verso il basso) per il riscaldamento.
- Mantenere la temperatura del locale uniforme tramite la regolazione delle pale di direzione dell'aria verticali destra/sinistra.
- Posizionare l'aletta di direzione dell'aria e le pale sinistra/destra in modo tale da evitare che il corpo sia direttamente esposto alle correnti d'aria.
- Durante il funzionamento prolungato, aerare il locale di tanto in tanto aprendo una finestra.
- In caso di caduta di tensione, la memoria del microprocessore sarà conservata. Al riavvio, il funzionamento riprenderà nell'ultima modalità di funzionamento. Tuttavia, in caso di utilizzo del timer, l'apparecchio si spegnerà all'orario prestabilito solo se il telecomando è puntato in direzione dell'apparecchio. In caso contrario, la caduta di tensione causerà la cancellazione dei dati del timer dalla memoria del microprocessore.
- Dopo l'accensione, saranno necessari circa 3 minuti per avviare la funzione di raffreddamento, riscaldamento e deumidificazione.
- Durante l'utilizzo della modalità di DEUMIDIFICAZIONE, assicurarsi che la temperatura ambiente sia compresa tra 20 °C e 27 °C. Nel caso di utilizzo con temperature superiori o inferiori a tale intervallo, l'apparecchio potrebbe entrare in autoprotezione e cessare di funzionare.
- Nel caso di utilizzo in modalità RAFFREDDAMENTO o DEUMIDIFICAZIONE, assicurarsi che l'umidità relativa della stanza sia inferiore al 78%; se l'apparecchio viene utilizzato per periodi di tempo prolungati in presenza di elevata umidità, è possibile che si formi condensa sull'apertura di erogazione dell'aria con conseguente gocciolamento.
- I segnali del telecomando potrebbero non essere ricevuti nel caso in cui il coperchio dei comandi dell'unità interna sia esposto direttamente ai raggi solari o luce intensa. In tal caso, ostruire l'esposizione ai raggi solari o attenuare la luce.
- Il telecomando funziona entro un raggio di 8 metri. Al di fuori di questo raggio, il telecomando potrebbe avere difficoltà nella trasmissione dei segnali.

INDICE

DESCRIZIONE

Strumenti per l'installazione e la manutenzione	5
Campo di temperatura di funzionamento	6
Dimensioni dell'unità interna	6
Dimensioni dell'unità esterna	6

INSTALLAZIONE

Localizzazione dell'unità esterna	7-8
Localizzazione dell'unità interna	9
Collegamento frigorifero	10
Installazione	11
Collegamenti elettrici	13
Azioni finali	14

STRUMENTI PER L'INSTALLAZIONE E LA MANUTENZIONE

ATTENZIONE**Installazione del condizionatore con il nuovo refrigerante**

● IL PRESENTE CONDIZIONATORE D'ARIA UTILIZZA IL NUOVO REFRIGERANTE HFC (R410A) PER LA PROTEZIONE DELLO STRATO DI OZONO.

Il refrigerante R410A è facilmente soggetto ad alterazioni ad opera di impurità quali acqua, membrane ossidanti e oil, poiché la sua pressione di esercizio è di circa 1,6 volte superiore a quella del refrigerante R22. In seguito all'adozione del nuovo refrigerante, è stato modificato anche l'olio refrigerante per macchine. Durante l'installazione è pertanto consigliabile verificare che acqua, polvere, il refrigerante utilizzato in precedenza o Folio refrigerante per macchine non entrino nel circuito di refrigerazione del condizionatore con il nuovo refrigerante R410A.








Per evitare di mischiare il refrigerante con l'olio refrigerante, le dimensioni delle sezioni di collegamento della porta di caricamento dell'unità principale o degli strumenti di installazione sono diverse da quelle delle unità con refrigeranti convenzionali. Di conseguenza, per le unità con il nuovo refrigerante (R410A) sono necessari degli strumenti appositi. Per il collegamento dei tubi, utilizzare tubi nuovi puliti con raccordi ad alta resistenza alla pressione, realizzati appositamente per il refrigerante R410A, onde evitare l'entrata di acqua e/o polvere. In particolare si consiglia di non utilizzare le tubazioni già esistenti, poiché possono contenere impurità e presentano dei problemi relativamente ai raccordi a pressione.

Modifiche del prodotto e dei componenti

Nei condizionatori che utilizzano il refrigerante R410A, onde evitare di caricare accidentalmente un refrigerante diverso, è stato modificato il diametro della porta di servizio della valvola di controllo dell'unità esterna (valvola a 3 vie). (1/2 UNF 20 filetti per pollice)

● Per aumentare la resistenza alla pressione della tubazione refrigerante, sono stati modificati il diametro della svasatura sul lato di lavorazione e le misure dei codoli svasati sul lato opposto. (per tubi in rame con dimensioni nominali di 1/2 e 5/8)

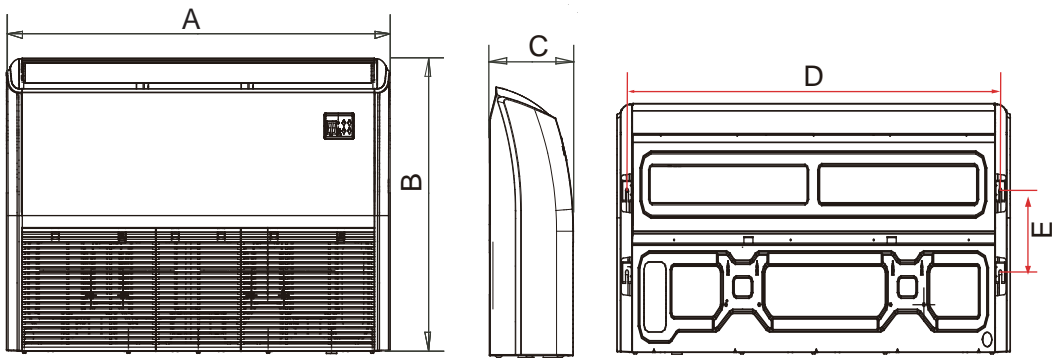
Nuovi strumenti per R410A

Nuovi strumenti per R410A	Applicabile al modello R22	Modifiche
Manometro collettore	×	 Poiché la pressione di esercizio è elevata, non è possibile misurarla con manometri convenzionali. Per evitare l'introduzione di un refrigerante diverso, sono stati modificati i diametri della porta.
Tubo di caricamento	×	 Per aumentare la resistenza alla pressione, sono stati modificati i materiali del tubo e le misure delle porte (a 1/2 UNF 20 filetti per pollice). All'acquisto di un tubo di caricamento, assicurarsi di controllare le misure delle porte.
Bilancia elettronica per il caricamento del refrigerante	○	 L'elevata pressione e la rapidità di gassificazione provocano la formazione di bolle, che rendono difficile la lettura del valore indicato mediante un cilindro di caricamento.
Chiave torsiometrica (diametro nominale 1/2, 5/8)	×	 È stata aumentata la misura dei codoli svasati opposti. Per diametri nominali di 1/4 e 3/8 viene utilizzata una chiave normale.
Strumento per svasatura (di tipo a innesto)	○	 Aumentando la misura del foro di alloggiamento della barra di bloccaggio, è stata migliorata la forza della molla dello strumento.
Calibro di regolazione della sporgenza	—	Da utilizzare quando la svasatura viene eseguita con uno strumento di svasatura convenzionale.
Adattatore della pompa a vuoto	○	 Da collegare a una pompa a vuoto convenzionale. L'uso dell'adattatore è necessario per impedire il ritorno dell'olio della pompa a vuoto nel tubo di caricamento. Il raccordo di collegamento del tubo di caricamento è provvisto di due porte, una per il refrigerante convenzionale (7/16 UNF 20 filetti per pollice) e una per l'R410A. Se Folio (minerale) della pompa a vuoto si mescola con l'R410A, si può creare un deposito di morchia che potrebbe danneggiare l'apparecchiatura.
Rilevatore di perdite di gas	×	 Solo per refrigerante HFC.

● Il "cilindro refrigerante" viene fornito con la designazione del refrigerante (R410A) e il rivestimento di protezione di colore rosa, secondo quanto specificato dall'ARI (Air Conditioning and Refrigeration Institute, Ente americano per la climatizzazione e refrigerazione) (codice colore ARI: PMS 507).

● La "porta di caricamento e le tenute del cilindro refrigerante" richiedono inoltre attacchi da 1/2 UNF 20 filetti per pollice, corrispondenti alle dimensioni della porta del tubo di caricamento.

DIMENSIONI DELL'UNITÀ INTERNA

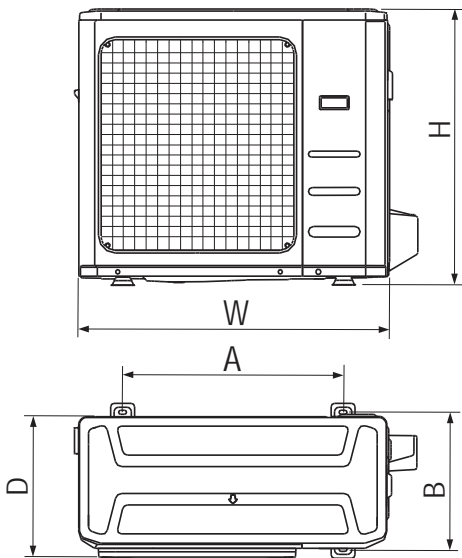


Unit: mm

	CAPACITÀ (KBtu/h)	A	B	C	D	E
DC INVERTER	18/24	1068	675	235	983	220
	30	1285	675	235	1200	220
	36/48/60	1650	675	235	1565	220

DIMENSIONI DELLE UNITÀ ESTERNE

Unit: mm



INVERTER

CAPACITÀ (KBtu/h)	W	H	D	A	B
12	800	554	333	514	340
18	800	554	333	514	340
24	845	702	363	560	335
30/36/42	946	410	810	673	403
48/60	952	410	1333	634	404

Installazione dell'unità interna

ISTRUZIONI PER L'INSTALLAZIONE

SELEZIONE DELLA POSIZIONE D'INSTALLAZIONE.

- Una posizione in cui l'acqua può essere facilmente drenata.
Una posizione che ben sopporta il peso dell'unità interna.
- In cui l'accesso alle operazioni di manutenzione sia agevole. Che consenta il facile collegamento dell'unità esterna.
- La posizione deve trovarsi a più di 1 m di distanza dalle apparecchiature elettriche quali televisore e dispositivi audio.
- Devono essere evitate posizioni prossime ad una fonte di calore, gas infiammabile o di alta umidità.
- Evitare la prossimità di una lavanderia, un bagno, una doccia o una piscina.
- Assicurare che l'installazione sia conforme alle disposizioni dello schema con le dimensioni d'installazione.
- Lo spazio attorno all'unità deve essere ben ventilato (fare riferimento alla Fig.23)

I TIPI DI INSTALLAZIONE SONO DUE:

- **IL TIPO A SOFFITTO**
- **IL TIPO A PAVIMENTO**

I due tipi sono simili, come segue;

Determinare la posizione d'installazione sul soffitto o sulla parete usando la maschera di carta che rappresenta il telaio dell'unità interna. Segnare la posizione degli attacchi e rimuovere la maschera.

Rimuovere la griglia di ritorno dell'aria, il pannello laterale e la staffa per sospendere l'unità interna secondo la procedura che segue.

- Premere la borchia di fissaggio della griglia di ritorno dell'aria. La griglia si apre. Staccarla quindi dal suo alloggiamento.
- Rimuovere le viti di fissaggio del pannello laterale tirare in avanti per rimuoverlo (come illustrato e secondo la freccia). (Fare riferimento alla Fig. 24).
- Allentare le due viti di regolazione della staffa di sospensione (M8) su ciascuno dei lati, per meno di 10 mm. Rimuovere le due viti di fissaggio (M6) della staffa di sospensione sul lato posteriore. Staccare la staffa di sospensione tirandola all'indietro (fare riferimento alla Fig.26)

ATTENZIONE: EVITARE L'INSTALLAZIONE DOVE POSSONO AVER LUOGO GUASTI.

- Dove c'è molto olio.
- In zone acide o alcaline.
- Dove l'alimentazione elettrica è irregolare.

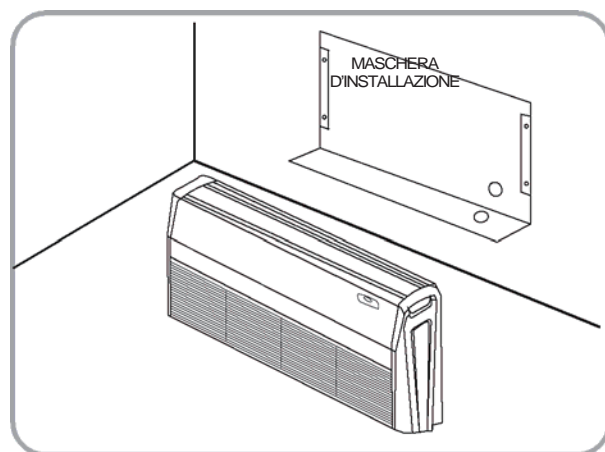


Fig.22

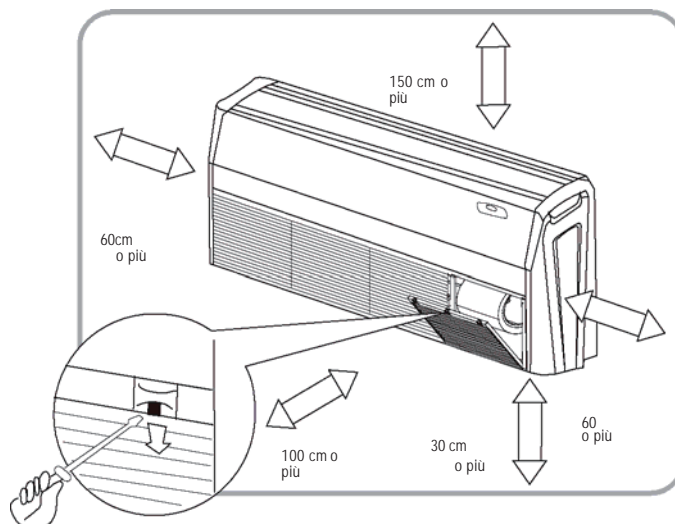


Fig. 23

Viti di fissaggio del pannello laterale (M4)

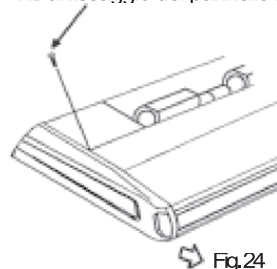


Fig.24

Installazione dell'unità interna ISTRUZIONI PER L'INSTALLAZIONE

Fissare la vite di sospensione. (Usare viti di sospensione W3/8 o M10)

- Regolare in anticipo la distanza dell'unità dalla superficie del soffitto.

Fissare la staffa di sospensione alla vite di sospensione. **AVVERTENZA**

- Assicurare che l'estensione della vite di sospensione dal soffitto resti all'interno dell'area segnata con le frecce. Risistemare la staffa di sospensione se si trova al di fuori dell'area segnata con le frecce
- La vite di sospensione deve restare all'interno del coperchio. Non rimuovere mai il coperchio.

Sollevare l'unità, farla slittare in avanti fino all'arresto .

Serrare le due viti di regolazione della staffa di sospensione (M8).

Serrare le due viti di fissaggio della staffa di sospensione (M6) per prevenire il movimento dell'unità interna

Regolare l'altezza dell'unità in modo che la parte posteriore del tubo di drenaggio sia leggermente in discesa per migliorare il drenaggio. **ATTENZIONE**

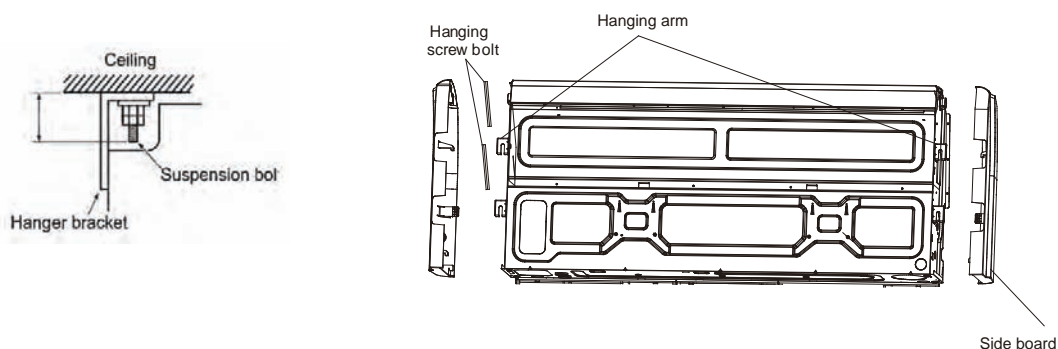
- Regolare l'altezza girando il dado con una chiave.

Inserire la chiave dall'apertura della staffa di sospensione .

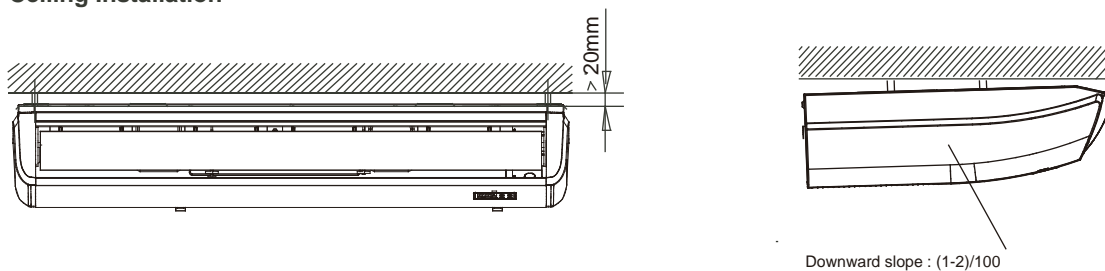
In caso di sospensione

è possibile installare l'unità usando staffe di sospensione rivolte verso l'interno non rimuovendo le staffe dall'unità interna .

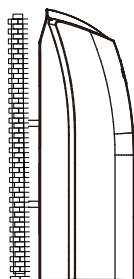
Assicurare di fare uso solo degli accessori e delle parti specifiche per le operazioni d'installazione.



Ceiling Installation

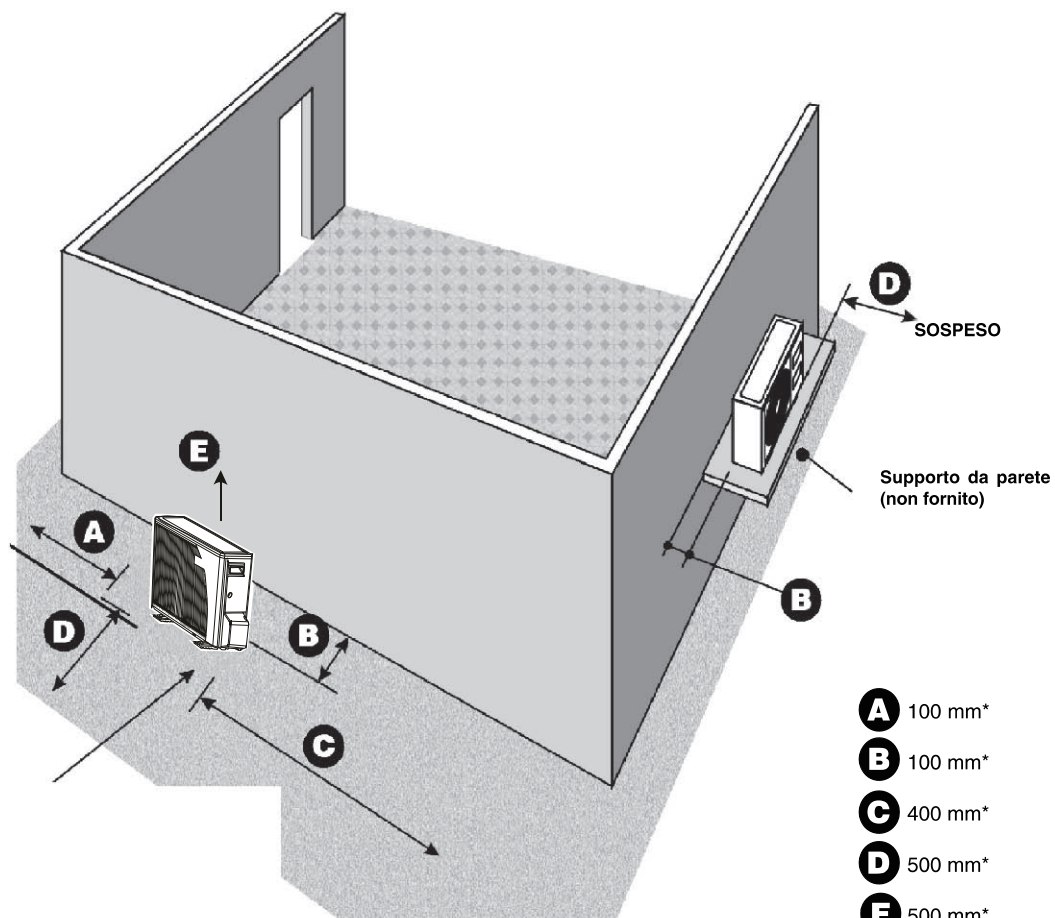


Wall Mounting Installation



INSTALLAZIONE DELL'UNITÀ ESTERNA

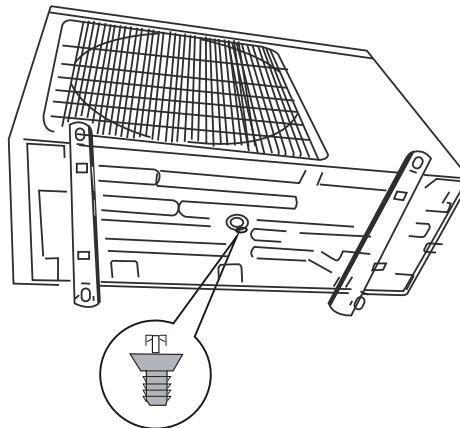
- Spazio libero minimo da prevedere (in mm)



- A** 100 mm*
- B** 100 mm*
- C** 400 mm*
- D** 500 mm*
- E** 500 mm*

*minimo

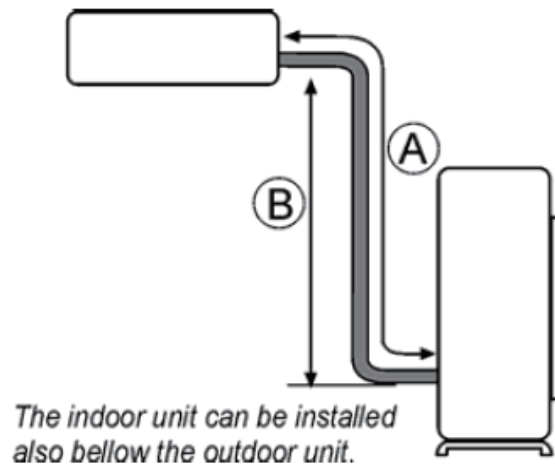
SCARICO DELLE CONDENSE



ATTENZIONE

Qualora l'unità esterna reversibile fosse installata in zone climatiche dove la temperatura esterna può essere inferiore a + 1°C, è tassativo prevedere un sistema di prevenzione degli eventuali rischi di congelazione delle condense (esempio: cordone riscaldante).

COLLEGAMENTI FRIGORIFERI

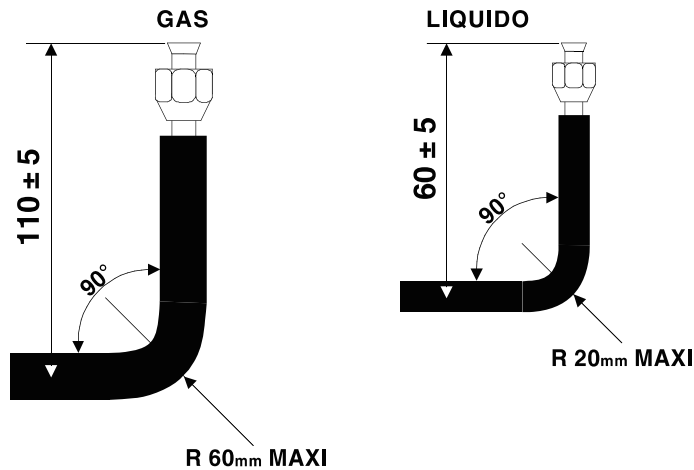


MASSIMA TUBO LUNGHEZZA E ALTEZZA (TIPO INVERTER)

CAPACITÀ (KBtu/h)	TUBO LIQUID - TUBO GAS (Inch)	A- L.MAX (m)	B - H.MAX (m)	LUNGHEZZA DI PRECARICA (m)	CHARGE ADDITONAL (g/m)
12	1/4"-3/8"	25	10	5	15
18	1/4"-1/2"	30	20	5	15
24	3/8"-5/8"	30	20	5	30
30/36	3/8"-5/8"	50	25	5	30
42/48/60	3/8"-5/8"	65	30	5	30

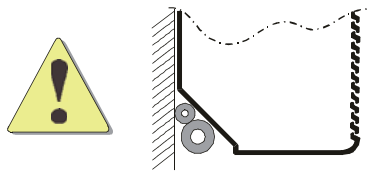
POSIZIONAMENTO DEL TUBING SUL SUPPORTO A PARETE

- Dopo aver scelto il vostro dei tubi frigoriferi (destra, sinistra o posteriore), si può realizzare il tubing. Occorrerà utilizzare la sagoma di montaggio onde incurvare correttamente i tubi per facilitare il collegamento.



POSIZIONAMENTO DEL TUBING SUL SUPPORTO DA PARETE

- Per una buona installazione dei tubi, posizionare il tubo LIQUIDO in alto ed tubo GAS al di sotto di questo ultimo.

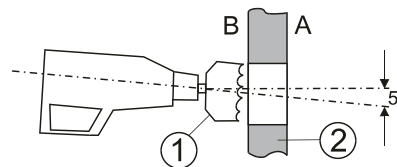


- Posizionare i dadi dei tubi (incurvati) nell'apposito alloggiamento della sagoma.
- Mantenere i tubi in posizione mediante i collari in dotazione.
- Togliere la sagoma tubi, si può quindi montare l'apparecchio sul suo supporto.

NOTA

uscita verso la parte posteriore

- Il foro inclinato permette di evitare l'ingresso delle condense o della pioggia.
- Posizionare nel foro, un manicotto Ø 70 mm



- A Lato esterno
- B Lato interno
- 1 Trapano Ø 70 mm
- 2 Parete

SVUOTAMENTO DEI TUBI FRIGORIFERI E DELL'UNITÀ INTERNA

- Il carico in R410A viene immesso soltanto nel cassone esterno. L'unità interna contiene una piccola quantità di gas neutro. Pertanto dopo aver installato i collegamenti, occorre tassativamente svuotare i collegamenti e l'unità interna.

PROCEDURA DI MONTAGGIO

- Il gruppo esterno possiede una valvola che permette lo svuotamento dell'installazione (grossa valvola).

1 Collegare i tubi di collegamento al cassone esterno e all'unità interna.

- Per ottenere un buon serraggio, ricoprire la superficie con dell'olio di refrigerazione.



- L'utilizzo di una controchiave è indispensabile per il serraggio delle valvole.



- I valori della coppia di serraggio vengono riportati nella tabella di cui sotto.

<u>Ø dei tubi</u>	<u>Coppia</u>
1/4"(Inch)	15-30 (N·m)
3/8"(Inch)	35-40 (N·m)
5/8"(Inch)	60-65 (N·m)
1/2"(Inch)	45-50 (N·m)
3/4"(Inch)	70-75 (N·m)
7/8"(Inch)	80-85 (N·m)

2 Collegare la pompa a vuoto al raccordo flare del cassone esterno dotato della valvola di servizio (grosso raccordo).

3 Mettere la pompa a vuoto in funzione e verificare che l'ago dell'indicatore scenda a 0,2 mm Hg. La pompa deve funzionare per almeno 15 minuti.

4 Prima di togliere la pompa a vuoto., occorre verificare che l'indicatore di vuoto sia stabile per almeno cinque minuti.

5 Scollegare la pompa a vuoto e chiudere la valvola di servizio.

6 Togliere il tappo della valvola "GAS" e "LIQUIDO" e aprirli per mezzo di una chiave esagonale onde liberare l'R410A contenuto nel gruppo esterno.

7 Verificare la tenuta stagna dei collegamenti. Utilizzare un rilevatore di fuga elettronico o una spugna insaponata.

COLLEGAMENTO ELETTRICO FRA L'UNITÀ INTERNA ED ESTERNA

REQUISITI ELETTRICI

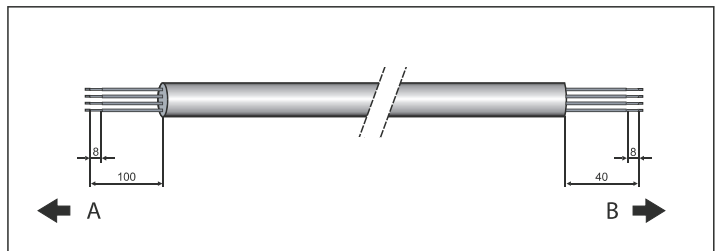
I collegamenti ed i collegamenti elettrici dovrebbero essere fatti dagli elettricisti qualificati ed in conformità con i codici e la regolazione elettrici locali. Le unità del condizionatore dell'aria devono essere collegate alla terra.

L'unità del condizionatore dell'aria deve essere collegata ad una presa di alimentazione sufficiente da un circuito separato del ramo protetto entro termine l'interruttore, come specificato sulla targhetta dell'unità.

La tensione non dovrebbe variare oltre 10% della tensione nominale. L'interruttore di disinserimento di tutti i poli che ha l'apertura dei contatti disinseriti di almeno 3mm in tutti i poli deve essere collegato con la derivazione rigida.

1. Per collegare l'unità interna all'unità esterna usi i seguenti cavi elettrici.
2. Preparare i cavi necessari al collegamento elettrico.
3. Colleghi le estremità del cavo ai terminali delle unità interna ed esterna.
4. Fissi il cavo elettrico con fili multipli con il clip.

• Cavo fra le unità interna ed esterna



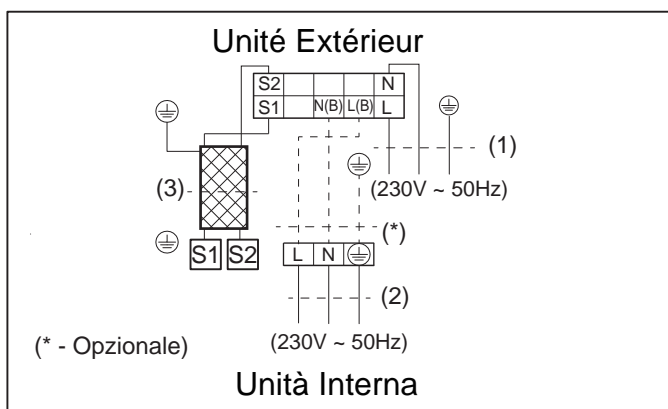
A. ESTERNA B. INTERNA

NOTE: Il codice di colore dei fili può essere selezionato dall'installatore.

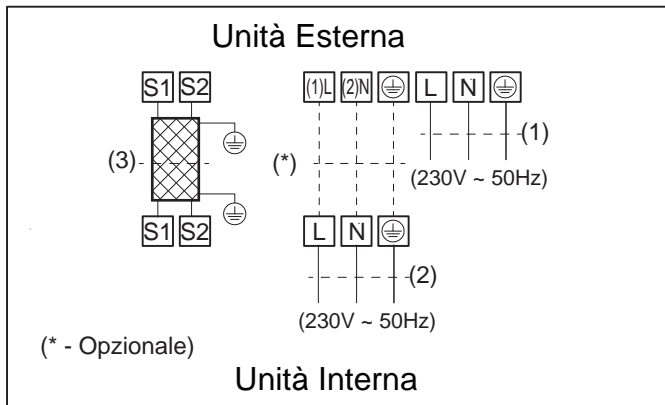
La temperatura del circuito refrigerante è elevata. Tenere a distanza il cavo di interconnessione dal tubo.

TIPO INVERTER

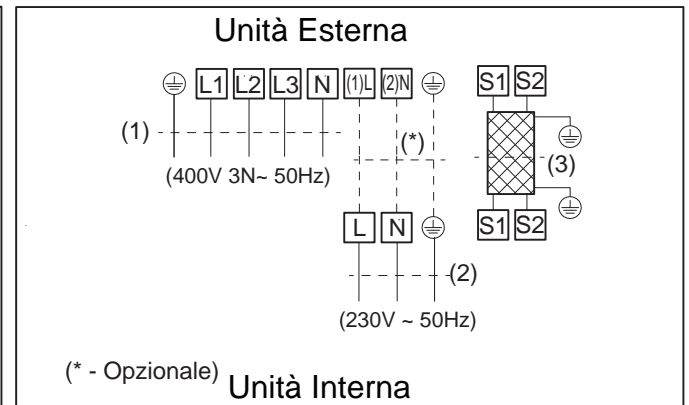
18 KBtu/h



24/30/36/42/48 KBtu/h (1Ph)



36/48/60 KBtu/h (3Ph)



Capacità	18K	24K	30K	36/42K(1Ph)
Parte alimentazione	Unità Interna e Unità Esterna			
Portata fusibile (ODU/IDU)	16A/10A	20A / 10A	30A / 10A	30A / 10A
1- Cavo ingresso alimentazione(ODU)	3 x 2.5mm ²	3 x 2.5mm ²	3 x 2.5mm ²	3 x 4.0mm ²
2- Cavo ingresso alimentazione(IDU)	3 x 1.0mm ²	3 x 1.0mm ²	3 x 1.0mm ²	3 x 1.0mm ²
3- Cavo di interconnessione	2 x 0.5mm ²	2 x 0.5mm ²	2 x 0.5mm ²	2 x 0.5mm ²

Capacità	48k(1Ph)	36K(3Ph)	48/60K(3Ph)
Parte alimentazione	Unità Interna e Unità Esterna		
Portata fusibile (ODU/IDU)	40A / 10A	25A / 10A	25A / 10A
1- Cavo ingresso alimentazione(ODU)	3 x 4.0mm ²	5 x 2.5mm ²	5 x 2.5mm ²
2- Cavo ingresso alimentazione(IDU)	3 x 1.0mm ²	3 x 1.0mm ²	3 x 1.0mm ²
3- Cavo di interconnessione	2 x 0.5mm ²	2 x 0.5mm ²	2 x 0.5mm ²

AZIONI FINALI

1. Verificare tutti i coperchi delle valvole ed assicurare che siano stati serrati adeguatamente. Chiudere il coperchio della valvola.
2. Otturare i divari tra i fori sulle pareti ed i tubi con materiale ermetizzante.
3. Fissare conduttori e tubi alla parete con morsetti dove necessario.
4. Mettere in funzione l'unità per non meno di 5 minuti in modalità di riscaldamento o di raffreddamento.
5. Spiegare all'utente come rimuovere il filtro, pulirlo e rimontarlo.
6. Spiegare all'utente tutte le funzioni del condizionatore durante il suo funzionamento.
7. Consegnare all'utente i manuali per l'uso e l'installazione.

БЛОК ДЛЯ КОНДИЦИОНИРОВАНИЯ ВОЗДУХА

R410A

РУССКИЙ

РУССКИЙ

Раздельная Система монтирующаяся на стене/потолке FCD / TCD / DCF

CE



ПРЕЖДЕ ЧЕМ НАЧИНАТЬ РАБОТАТЬ В ОТДЕЛАХ, ИМЕЮЩИХ ЭЛЕКТРОПРОВОДКУ, НЕОБХОДИМО ОТКЛЮЧИТЬ ЭЛЕКТРОПИТАНИЕ.

ОБЩИЕ РЕКОМЕНДАЦИИ

- Поздравляем Вас выбором кондиционера.


ИНСТРУКЦИИ ПО ТЕХНИКЕ БЕЗОПАСНОСТИ

- Обязательно соблюдайте инструкции по технике безопасности при использовании Вашего кондиционера.
- Установка и техническое обслуживание кондиционера должны проводиться только квалифицированными специалистами требованиям.
- Проверьте, чтобы напряжение сети и частота электрического тока соответствовали требованиям для данного кондиционера, учитывая особые условия расположения, а также потребление электричества другими приборами, подключенными к данной сети.

ПРЕДУПРЕЖДЕНИЕ

- Перед проведением любых работ отключите электропитание.
- В случае несоблюдения данных инструкций по технике безопасности, производитель не несет никакой ответственности за возможный ущерб и освобождает себя от гарантийных обязательств.
- При возникновении неполадок, пожалуйста, свяжитесь с Вашим местным отделом по Техническому Обслуживанию.
- По возможности соберите основные и дополнительные принадлежности кондиционера прежде чем устанавливать его окончательно. (см. Инструкции по установке для каждой принадлежности)
- Для полного ознакомления с данным устройством, прочтите так же наши инструкции по Техническому обслуживанию.
- Информация, предлагаемая в данном руководстве, может меняться без предварительного уведомления.
- Оборудование, оснащённое дополнительными нагревателями, должно устанавливаться как минимум с 50-ти сантиметровым зазором от легковоспламеняющихся веществ. В противном случае оно может послужить причиной возгорания.

МЕРЫ ПРЕДОСТОРОЖНОСТИ

 Опасно	Данный знак предупреждает о возможности смертельного исхода или серьёзного ущерба для здоровья
---	--

- Не пытаться устанавливать данный кондиционер самостоятельно
- Данный агрегат не имеет частей, которые могут обслуживаться пользователем. По вопросам ремонта обращаться к уполномоченному представителю центра обслуживания.
- В случае переезда и необходимости отключения / повторного подключения агрегата, следует обратиться к уполномоченному представителю центра обслуживания.
- Опасайтесь переохлаждения, находясь на пути потока холодного воздуха из кондиционера в течение продолжительного времени.
- Не засовывать пальцы и посторонние предметы в отверстия для выхода воздуха и решётку воздухозаборника.
- Не включать и не выключать кондиционер путём извлечения вилки сетевого шнура из розетки.
- Старайтесь не повредить сетевой шнур агрегата..
- В случае возникновения проблемы (например, появления запаха гари), следует немедленно остановить кондиционер, удалить сетевой шнур из розетки и обратиться к уполномоченному представителю центра обслуживания.
- В случае повреждения сетевого шнура агрегата, его следует немедленно заменить. Для этого необходимо обратиться к уполномоченному представителю центра обслуживания – для установки нового шнура требуются специальные инструменты и шнур того же типа.
- Оборудование не приспособлено для использования детьми или физически слабыми людьми без присмотра.
- Пожалуйста, дайте кондиционеру прогреться как минимум в течение 12 часов перед использованием. При использовании в течение длительного времени, пожалуйста, не выключайте электропитание.

 Осторожно	Данный знак предупреждает о возможности повреждения Вашей собственности
--	---

- Во время использования агрегата следует время от времени проветривать помещение
- Не направлять поток воздуха на камины или нагревательные приборы.
- Не залезать и не ставить каких бы то ни было предметов на кондиционер.
- Не вешать какие бы то ни было предметы на внутренний агрегат.
- Не ставить на кондиционер горшков с цветами или ёмкостей с водой.
- Не допускать прямого попадания воды на / в кондиционер.
- Не растягивать и не дёргать сетевой шнур.
- Если кондиционер не используется в течение продолжительного времени, его следует держать отключённым от сети.
- Следует периодически проверять установочную стойку кондиционера на предмет возможных повреждений.
- Не располагать животных или растения на пути прямого потока воздуха из кондиционера.
- Не пить воду, выходящую из агрегата в виде конденсата.
- Не следует использовать кондиционер в помещениях, предназначенных для хранения пищевых продуктов, растений или животных, точного оборудования или предметов искусства.
- Осторожно: соединительные клапана в процессе работы в режиме ОБОГРЕВ сильно нагреваются.
- Не прилагать излишнюю силу к рёбрам радиатора. Работать только при установленных воздушных фильтрах.
- Не загромождать и не закрывать решётку воздухозаборника и выходные порты.
- Держать любое электронное оборудование на расстоянии как минимум 1 метра от внешнего и внутреннего агрегатов.
- Не устанавливать кондиционер вблизи камина или нагревательных приборов.
- При установке внешнего и внутреннего блока следует убедиться в том, что они недоступны детям.
- Не использовать вблизи кондиционера легковоспламеняющихся газов и других веществ.

ОСНОВНЫЕ ИНСТРУКЦИИ

- Рекомендуется устанавливать наиболее оптимальную температуру воздуха; слишком низкая температура вредна для Вашего здоровья и приводит к излишнему потреблению энергии. Следует избегать частого изменения установок температуры воздуха.
- В режиме охлаждения избегайте попадания в комнату прямого солнечного света. Закрывайте занавески или жалюзи. Закрывайте двери и окна для предотвращения выхода холодного воздуха за пределы комнаты.
- Избегайте скапливания тёплого воздуха или использования нагревательных приборов при работе кондиционера в режиме охлаждения.
- Убедитесь в правильном расположении воздушной заслонки: горизонтальный поток воздуха в режиме охлаждения и вертикальный, направленный вниз, поток воздуха в режиме обогрева.
- Старайтесь поддерживать равномерную температуру по всей комнате путём регулировки правой / левой вертикальных направляющих.
- Следует располагать воздушную заслонку, а также правую / левую направляющие таким образом, чтобы Вы не находились на пути прямого потока воздуха, выходящего из кондиционера.
- При длительном использовании кондиционера следует время от времени проветривать комнату, открыв окно и двери.
- В случае отключения электричества память микропроцессора сохранит все данные. При повторном включении кондиционера, он начнёт работать в том режиме, в котором он работал до отключения электричества. Тем не менее, если в это время использовался таймер, агрегат выключится при помощи таймера только в том случае, если пульт ДУ направлен на агрегат. В противном случае, отключение электричества приведёт к потере всех данных, находящихся в памяти микропроцессора.
- После включения кондиционера до перехода агрегата в режим охлаждения, обогрева или сушки может пройти более 3 минут.
- При использовании режима СУШКА следует убедиться в том, что температура в комнате находится в пределах от 20 °С до 27 °С. В противном случае, может включиться защита агрегата и он перестанет работать.
- При использовании режимов ОХЛАЖДЕНИЕ или СУШКА следует убедиться в том, что относительная влажность воздуха в комнате не превышает 78%. В случае продолжительного использования агрегата в условиях повышенной влажности, на заслонке и портах выхода воздуха может начать скапливаться и капать конденсат.
- Сигналы, поступающие с пульта ДУ могут быть не приняты, если контрольная панель внутреннего агрегата находится в зоне прямого солнечного или искусственного света. В этом случае следует закрыть доступ в комнату солнечному свету или уменьшить интенсивность искусственного освещения.
- Радиус действия пульта ДУ равен 8 метрам. При больших расстояниях у агрегата могут возникнуть проблемы с приёмом сигнала.

КРАТКОЕ ОПИСАНИЕ

ОПИСАНИЕ

Инструменты для монтажа/обслуживания (только для изделия R410A).....	5
рабочая температура	6
Размеры внутреннего блока.....	6
Размеры Наружного блока	6

ОПИСАНИЕ

Установка внутреннего блока кондиционера	7-8
Установка наружного блока.....	10
Соединения системы охлаждения.....	11
Установка системы труб на настенном креплении.....	12
Электрические соединения должны выполняться инженером-электриком	14
Завершающие Операции.....	16

Инструменты для монтажа/обслуживания (только для изделия R410A)

ОСТОРОЖНО

Установка кондиционера с новым хладагентом

В этом кондиционере использован новый хладагент HFC (R410A), который не уничтожает озоновый слой. Хладагент R410A может терять свои качества под воздействием примесей, таких как вода, окисляющая мембрана, и масла, поскольку рабочее давление хладагента R410A приблизительно больше в 1,6 раза давления хладагента R22. Вместе с применением нового хладагента, было также заменено масло холодильной машины. Поэтому, во время монтажа проследите, чтобы вода, пыль, ранее использовавшийся хладагент, или масло холодильной машины не попали в хладагент нового типа R410A в контуре кондиционера.








Для предотвращения смешивания хладагента или масла холодильной машины, размеры соединительных секций зарядного порта на главном блоке и монтажные инструменты отличаются от тех, которые использовались для блоков с обычным хладагентом. Соответственно, требуются особые инструменты для блоков с новым хладагентом (R410A). Для соединительных труб, используйте новые и чистые трубные материалы с фитингами высокого давления, выполненными только для R410A так, чтобы внутрь не попала вода и/или пыль. Кроме того, нельзя использовать уже имеющиеся трубы, поскольку имеются некоторые проблемы с фитингами высокого давления и, возможно, в имеющихся трубах присутствуют загрязнения.

Изменения в изделии и компонентах

В кондиционерах с применением R410A, для предотвращения случайной заправки другим хладагентом размер диаметра сервисного порта контрольного клапана (трехпутевой клапан) наружного блока был изменен (1/2 Американская унифицированная тонкая резьба, UNF, 20 ниток на 1 дюйм).

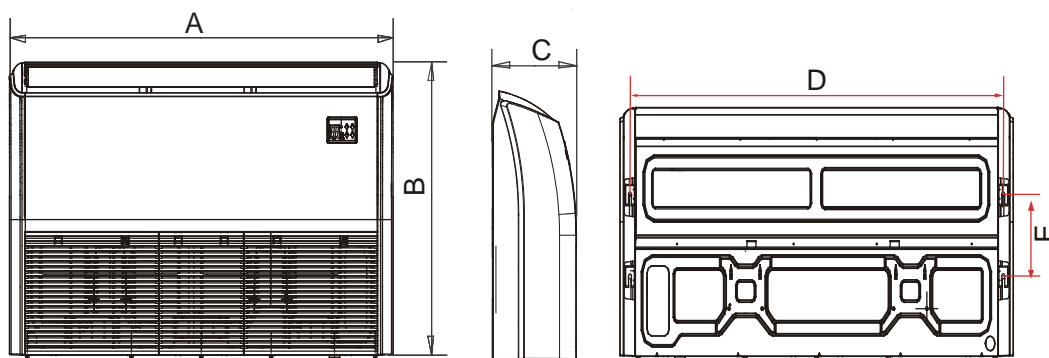
- Для того чтобы увеличить стойкость к воздействию давления трубопроводов хладагента, был изменен диаметр раструба и размеры гаек раструбного соединения (для медных труб с номинальными размерами 1/2 и 5/8)

Новые инструменты для R410A

Новые инструменты для R410A	Могут применяться с моделью R22		Изменения
Коллектор для манометров	×		Поскольку рабочее давление высокое, нет возможности измерять рабочее давление с помощью обычных манометров. Для предотвращения заправки любым другим хладагентом, диаметры портов были изменены.
Шланг для заправки	×		Для того чтобы увеличить прочность сопротивления давлению, материалы шлангов и размеры портов были изменены (до 1/2 UNF 20 ниток на дюйм). Покупая шланг для заправки, проверьте размер порта.
Электронный баланс для заправки хладагентом	○		Поскольку рабочее давление высокое и скорость газификации быстрая, трудно считывать показание с помощью зарядного цилиндра, поскольку возникают пузырьки воздуха
Гаечный ключ с ограничением крутящего момента (номинальный диаметр 1/2, 5/8)	×		Размер противоположных гаек раструбного соединения увеличен. Имейте в виду, что обычный гаечный ключ используется для номинальных диаметров 1/4 и 3/8.
Раструбный инструмент (типа зажима)	○		За счет увеличения размера приемного отверстия зажимного рычага, прочность пружины в инструменте повысилась.
Измерительный инструмент для регулирования выступа	—		Используется, когда раструб выполнен с помощью обычного инструмента.
Переходник вакуумного насоса	○		Подсоединяется к обычному вакуумному насосу. Необходимо использовать переходник для предотвращения перетекания масла вакуумного насоса назад в зарядный шланг. Соединительный порт зарядного шланга имеет два порта – один для обычного хладагента (7-16 UNF 20 ниток на дюйм) и один для хладагента R410A. Если (минеральное) масло вакуумного насоса смешивается с хладагентом R410A, может появиться шлам и оборудование выйдет из строя.
Детектор утечки газа	×		Размер противоположных гаек раструбного.

- Имейте в виду, что “баллон с хладагентом” поступает с обозначением (R410A) и с защитным покрытием розового цвета по американскому стандарту (цветовой код AR: PMS 507).
- Кроме того, “зарядный порт и упаковка для баллона с хладагентом” предусматривают наличие резьбы 1/2 UNF 20 ниток на дюйм, что соответствует размеру порта зарядного шланга.

РАЗМЕРЫ ВНУТРЕННЕГО БЛОКА

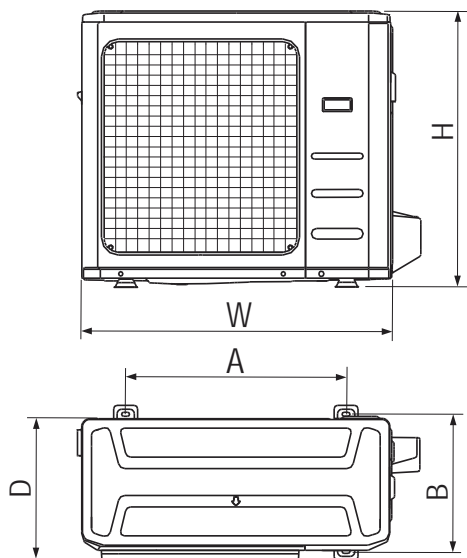


Unit: mm

	номинальная (KBtu/h)	A	B	C	D	E
DC INVERTER	18/24	1068	675	235	983	220
	30	1285	675	235	1200	220
	36/48/60	1650	675	235	1565	220

РАЗМЕРЫ НАРУЖНОГО БЛОКА

Unit: mm



INVERTER

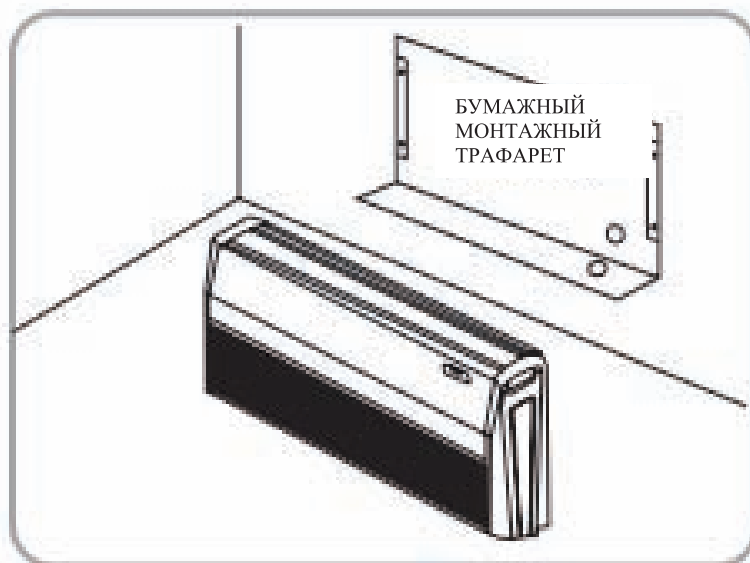
номинальна (KBtu/h)	W	H	D	A	B
12	800	554	333	514	340
18	800	554	333	514	340
24	845	702	363	560	335
30/36/42	946	410	810	673	403
48/60	952	410	1333	634	404

ВЫБОР МЕСТА УСТАНОВКИ

- В данном месте должен быть обеспечен свободный сток конденсата.
- Данное место должно выдерживать вес внутреннего блока.
- В данном месте должен быть обеспечен свободный доступ для проведения техобслуживания.
- Данное место должно позволять удобное подключение к наружному блоку.
- Данное место должно находиться на расстоянии не менее 1 м. от других электрических устройств (телевизора, аудиосистемы и пр.).
- Необходимо избегать мест, где присутствуют источники тепла, высокой влажности или горючего газа.
- Не использовать блок в непосредственной близости от прачечной, ванны, душа и бассейна.
- Удостовериться, что установка согласуется с монтажной схемой.
- Пространство вокруг блока должно быть достаточным для вентиляции

ПРЕДОСТЕРЕЖЕНИЕ ОТНОСИТЕЛЬНО МЕСТ УСТАНОВКИ, ГДЕ МОГУТ ВОЗНИКНУТЬ ПРОБЛЕМЫ С КОНДИЦИОНЕРОМ

- Места, где слишком много масла.
- Места с кислотной-щелочной областью.
- Места с нерегулярным электроснабжением.

**СУЩЕСТВУЕТ 2 СПОСОБА УСТАНОВКИ:**

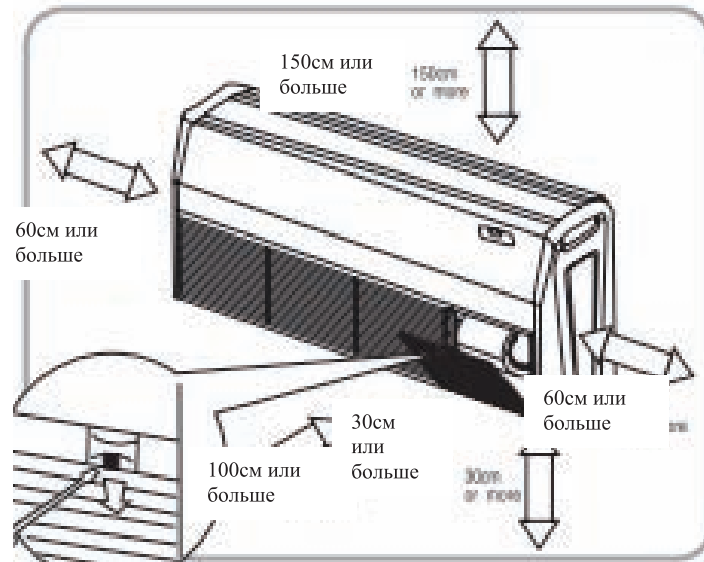
- ПОТОЛОЧНЫЙ
- НАПОЛЬНЫЙ

Оба типа похожи между собой в следующем;

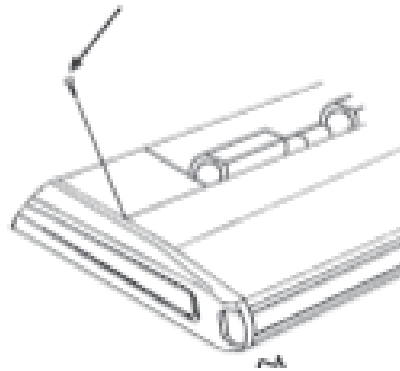
Используя бумажный трафарет для обозначения остова внутреннего блока, определите положение установки на потолке или стене. Сделайте пометки и уберите бумажный трафарет. Снимите с внутреннего блока вытяжную воздухораспределительную решётку, боковую панель и подвесной кронштейн по описанной ниже процедуре.

Раздельная Система монтирующаяся на стене/потолке

- Нажмите на крепежную ручку вытяжной воздухораспределительной решётки, чтобы открыть ее, а затем извлеките ее из внутреннего блока.
- Извлеките крепежный винт боковой панели и переместите ее вперед (по направлению стрелки), чтобы снять
- Ослабьте два регулировочных болта (M8) с каждой стороны подвесного кронштейна менее чем на 10 мм. Извлеките два крепежных болта (M6) на задней стороне подвесного кронштейна. Отсоедините подвесной кронштейн, отведя его назад



Крепежный винт боковой панели (M4)



Установка внутреннего блока

ИНСТРУКЦИЯ ПО МОНТАЖУ

Установите подвесной болт. (Используйте подвесные болты размера W3/8 или M10)

- Заблаговременно отрегулируйте расстояние между блоком и панелью перекрытия
Зафиксируйте подвесной кронштейн на подвесном болте.

⚠ ВНИМАНИЕ

- Удостоверьтесь, что выступающий с потолка подвесной болт находится в пределах обозначенной стрелками области. Если он выступает за пределы обозначенной стрелками области, отрегулируйте подвесной кронштейн

- Подвесной болт остается внутри колпака внутреннего блока. Никогда не снимайте колпак.

Поднимите и насадите блок

Туго затяните оба регулировочных болта (M8) подвесного кронштейна

Туго затяните оба крепежных болта (M6) подвесного кронштейна, чтобы предотвратить перемещение внутреннего блока

Отрегулируйте высоту блока, чтобы задняя сторона дренажной трубки немного опускалась, что улучшит сток.

⚠ ПРЕДОСТЕРЕЖЕНИЕ

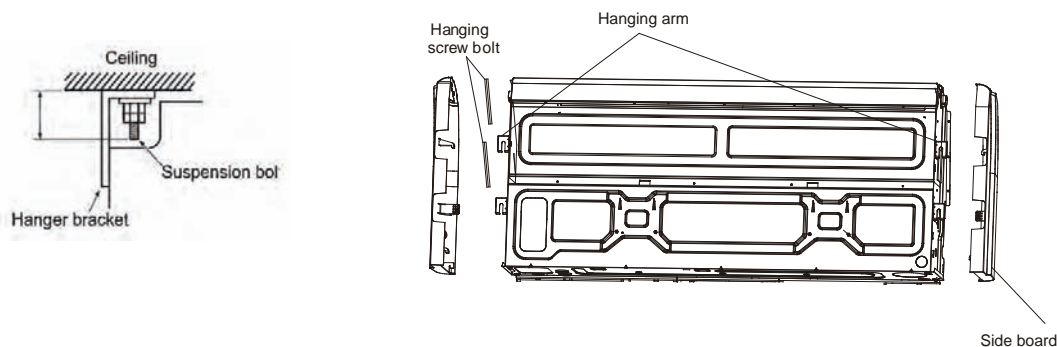
- При регулировке высоты для вращения гайки используйте гаечный ключ.

Вставляйте ключ через отверстие в подвесном кронштейне

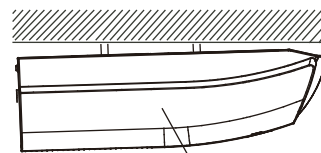
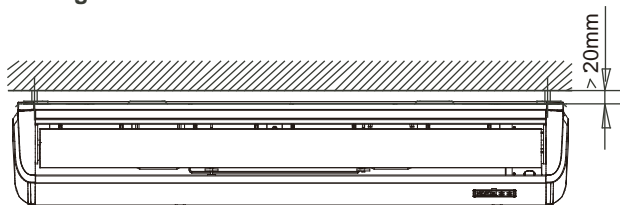
В случае подвешивания

Используя направленные внутрь подвесные кронштейны, блок невозможно установить, если не отсоединить эти кронштейны от внутреннего блока

Для монтажных работ непременно используйте только указанные приспособления и детали.

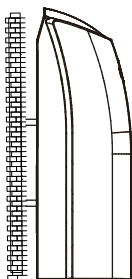


Ceiling Installation



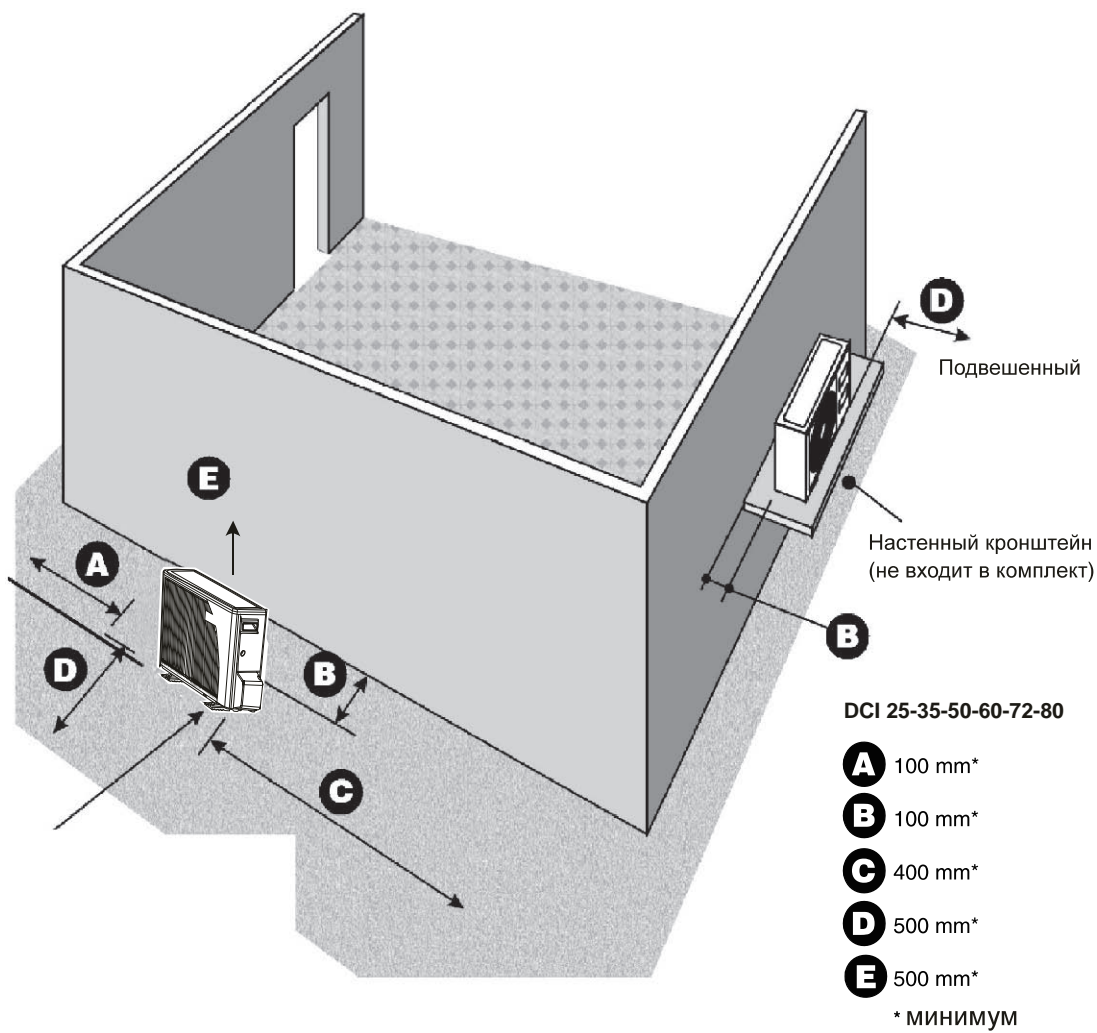
Downward slope : (1-2)/100

Wall Mounting Installation

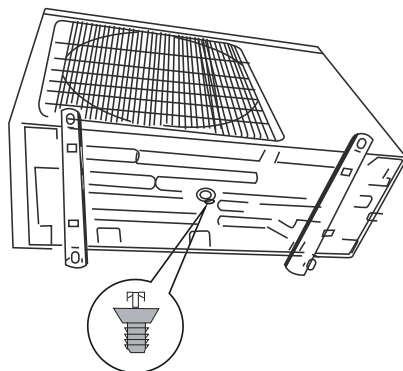


Установка наружного блока

- Минимальное расстояние между поверхностями блока и стенами (в мм)



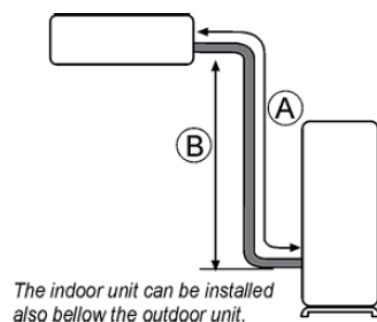
ВЫХОД КОНДЕНСАТА



ВНИМАНИЕ

В случае если наружный блок с тепловым насосом установлен в таких климатических условиях. Когда температура воздуха может быть ниже + 5°C необходимо обеспечить условия предотвращения возможно замерзания конденсата (напр. Тепловая обжотка).

СОЕДИНЕНИЯ СИСТЕМЫ ОХЛАЖДЕНИЯ

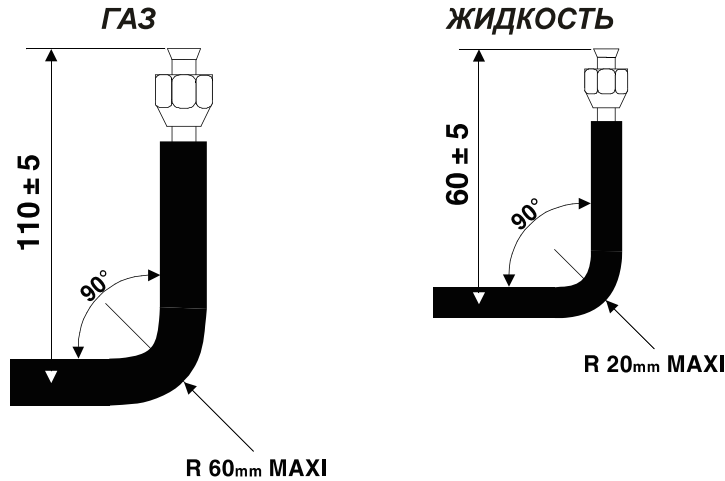


MAXIMUM PIPES LENGTH & HEIGHT (TYPE INVERTER)

номинальная (KBtu/h)	Труба Жидкость - газ (Inch)	A- L.MAX (m)	B - H.MAX (m)	LENGTH OF PRECHARGE (m)	ADDITIONAL CHARGE (g/m)
12	1/4"-3/8"	25	10	5	15
18	1/4"-1/2"	30	20	5	15
24	3/8"-5/8"	30	20	5	30
30/36	3/8"-5/8"	50	25	5	30
42/48/60	3/8"-5/8"	65	30	5	30

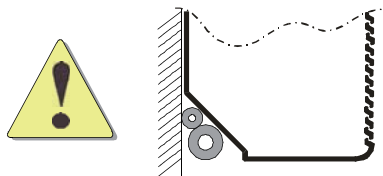
УСТАНОВКА СИСТЕМЫ ТРУБ НА НАСТЕННОМ КРЕПЛЕНИИ

- Выбрав место ввода хладагента (на правой, левой или задней панели), Вы можете приступить к установке труб. Для этого используйте опору для установки, чтобы правильно разместить трубки и таким образом облегчить соединение.



УСТАНОВКА СИСТЕМЫ ТРУБ НА НАСТЕННОМ КРЕПЛЕНИИ

- Разместить трубку для ЖИДКОСТИ над трубкой для ГАЗА.

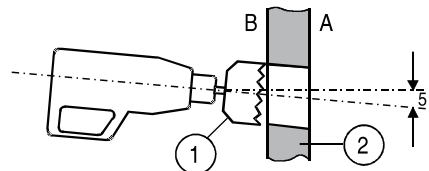


- Поместите муфты на трубах (в собранном виде) в выемки на опоре.
- Надежно закрепите с помощью имеющихся зажимов.
- Удалите опору для труб: теперь вы можете устанавливать блок на его крепление.

ПРИМЕЧАНИЕ

Выход на заднюю панель

- Наклонное отверстие предотвращает попадание внутрь блока конденсационной или дождевой воды.
- Подсоедините муфту диаметром 70мм к отверстию.



- A Снаружи
- B Внутри
- 1 Диаметр сверла 70мм
- 2 Стена

ВАКУУМ ОХЛАЖДАЮЩИХ ТРУБ ВНУТРЕННЕГО БЛОКА

- Хладагентной жидкостью R22 заряжается только наружный блок. Во внутреннем блоке содержится только небольшое количество нейтрального газа. Поэтому требуется обеспечить вакуумное пространство внутри соединяющихся трубок и внутреннего блока.

СБОРКА

- Наружный блок оснащен клапаном, позволяющим обеспечить вакуум при установке (большой клапан)
- 1 Присоедините соединяющиеся трубки к наружному блоку с помощью ПЕРЕХОДНЫХ МУФТ, а в внутреннем блоке ПРИПАЕВАНИЕМ.
- Для достижения необходимой твердости, покройте поверхность охлаждающей смазкой.



- Для крепкого затягивания клапанов потребуется использование газового ключа.



- Значения силы, прилагаемой для фиксации с помощью газового ключа, приведены в таблице ниже.

Диаметр трубки (PUT SIGN)	Сила Затягивания
1/4"(Inch)	15-30 (N·m)
3/8"(Inch)	35-40 (N·m)
5/8"(Inch)	60-65 (N·m)
1/2"(Inch)	45-50 (N·m)
3/4"(Inch)	70-75 (N·m)
7/8"(Inch)	80-85 (N·m)

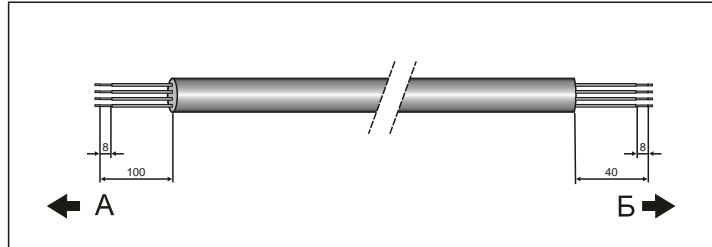
- 2 Подсоедините вакуумный насос с помощью переходных соединений наружного блока, оснащенного приемным клапаном. ж
- 3 Включите насос и проверьте, чтобы индикаторная игла опустилась до отметки -0.2мм РТ.СТ. Насос должен работать 15 минут.
- 4 Прежде чем отсоединять вакуумный насос, проверьте, чтобы индикатор оставался в том же самом положении в течение 5 минут.
- 5 Отсоедините вакуумный насос.
- 6 Удалите колпачки с клапанов ГАЗ (GAS) и ЖИДКОСТЬ (LIQUID) и откройте их шестигранным ключом, чтобы выпустить хладагент R22, содержащей в наружном блоке.
- 7 Если длина охлаждающих труб данной линии превышает 4м, добавьте дополнительное количество хладагента, указанное в таблице **В** на странице 18. Некоторым блокам требуется дополнительная зарядка хладагентом, как указано в таблице **А** на странице 17.
- 8 Проверьте, чтобы соединительные трубки были надежно запечатаны. Используйте электронный детектор утечки или мыльный спонж.

ЭЛЕКТРИЧЕСКОЕ СОЕДИНЕНИЕ ВНУТРЕННЕГО И ВНЕШНЕГО БЛОКА

ТРЕБОВАНИЯ К ЭЛЕКТРИЧЕСКИМ СОЕДИНЕНИЯМ

Прокладка электрических кабелей и их соединение должны выполняться квалифицированными электриками в соответствии с местными правилами и нормами. Воздушный кондиционер должен быть заземлен. Воздушный кондиционер должен быть подключен к подходящей розетке выделенной электрической линии, которая защищена прерывателем цепи задержки, как указано на табличке устройства. Напряжение не должно отличаться на более 10 % от номинального напряжения. В жесткой разводке должен быть подключен двухполярный выключатель с зазором между замыкающими контактами не менее 3 мм для всех полярностей. Разъединитель, обеспечивающий коммутацию всех фаз с контактными зазорами не менее 3 мм, должен быть подключен стационарной проводкой.

- Кабель между внутренним и наружным блоком

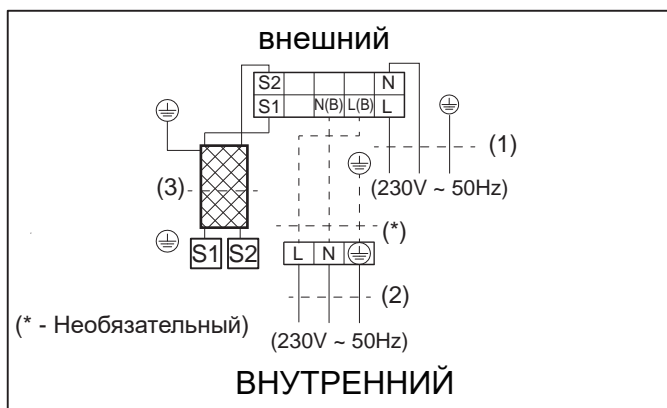


А. НАРУЖНЫЙ Б. ВНУТРЕННИЙ

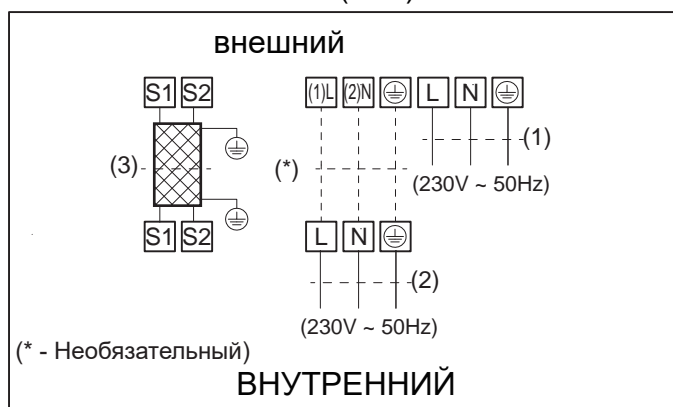
1. Для подключения внутреннего блока к наружному блоку используйте следующие электрические кабели.
2. Приготовить кабели, необходимые для соединения.
3. Подключите концы кабелей к терминалам внутреннего и наружного блоков.
4. Зафиксируйте свободную часть кабелей фиксаторами.

INVERTER TYPE

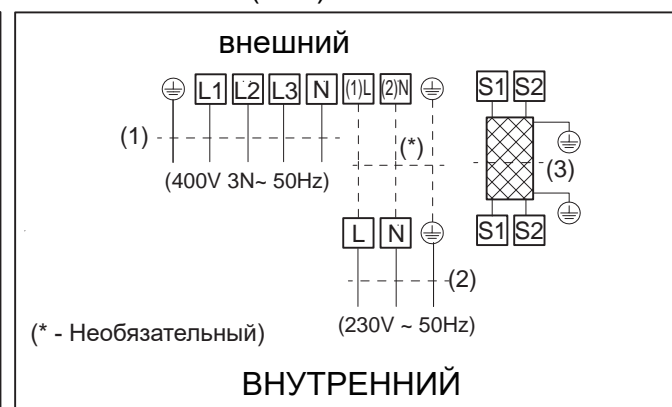
18 KBtu/h



24/30/36/42/48 KBtu/h (1Ph)



36/48/60 KBtu/h (3Ph)



МОЩНОСТЬ	18K	24K	30K	36/42K(1Ph)
ВХОДНАЯ МОЩНОСТЬ	ВНУТРЕННИЙ и внешний			
предохранителя (ODU/IDU)	16A/10A	20A / 10A	30A / 10A	30A / 10A
1- Кабель (жил)(ODU)	3 x 2.5mm ²	3 x 2.5mm ²	3 x 2.5mm ²	3 x 4.0mm ²
2- Кабель (жил)(IDU)	3 x 1.0mm ²	3 x 1.0mm ²	3 x 1.0mm ²	3 x 1.0mm ²
3- Соединительный кабель	2 x 0.5mm ²	2 x 0.5mm ²	2 x 0.5mm ²	2 x 0.5mm ²

МОЩНОСТЬ	48k(1Ph)	36K(3Ph)	48/60K(3Ph)
ВХОДНАЯ МОЩНОСТЬ	ВНУТРЕННИЙ и внешний		
предохранителя (ODU/IDU)	40A / 10A	25A / 10A	25A / 10A
1- Кабель (жил)(ODU)	3 x 4.0mm ²	5 x 2.5mm ²	5 x 2.5mm ²
2- Кабель (жил)(IDU)	3 x 1.0mm ²	3 x 1.0mm ²	3 x 1.0mm ²
3- Соединительный кабель	2 x 0.5mm ²	2 x 0.5mm ²	2 x 0.5mm ²

ЗАВЕРШАЮЩИЕ ОПЕРАЦИИ

- 1 Проверить наличие крышек на всех клапанах и убедиться в том, что они закрыты достаточно плотно. Закрыть крышку клапана.
- 2 Заполнить зазоры между краями отверстий в стене и трубопроводами герметизирующим материалом.
При необходимости прикрепить трубопроводы и кабели к стене при помощи зажимов.
Включить систему в режим охлаждения или обогрева как минимум на 5 мин.
- 5 Разъяснить процедуру извлечения, чистки и повторной установки фильтра.
Включить кондиционер в присутствии клиента и разъяснить ему все функции.
- 7 Передать клиенту руководства по установке и эксплуатации системы.

