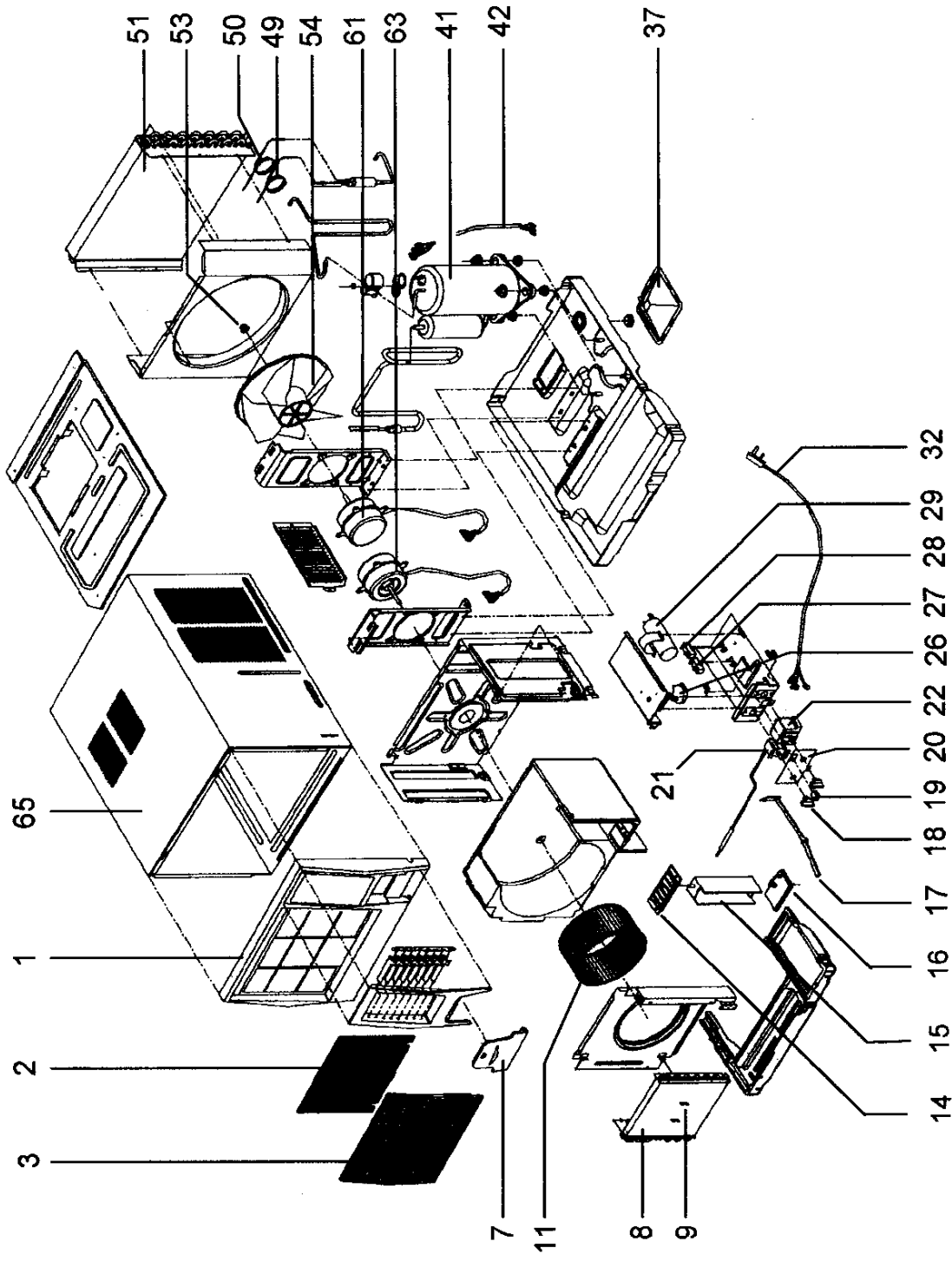


MAY 70 - 90
R 407 C



Brand :Airwell Model : MAY 70 / R407C

Product Number : 7WT012015

Internal number : 3520

Version : Cooling only 230/1/50

Spare parts list used

Loc	Spare parts code	Replaced by	Qty	Description	Observation
2	94518930		1	Air filter	
27	94519371		1	Capacitor 1uF/450V	
29	455000400		1	Capacitor 25uF/450V	
28	94517990		1	Capacitor 2uF/450V	
50	94519393		1	Capillary 1300mm	
49	94519984		1	Capillary 1500mm	
41	4519904		1	Compressor Toshiba PG135X1CY-4DG	
42	94519200		1	Compressor wiring	
37	94510936		1	Condensate receptacle	
51	94519046		1	Condenser	
18	94518936		2	Control knob	
20	94518849		1	Control panel	
65	94519155		1	Cover	
17	94519570		1	Deflector control lever	
7	4519917		1	Door	
8	94519052		1	Evaporator	
63	94518995		1	Fan motor Welling YDK-8C-6	
61	4518996		1	Fan motor YDK-15H-4	
1	4519961		1	Front	
26	94518848		1	Motor deflectors	
53	94510679		1	Nut M6	
32	94519919		1	Power cord	
54	94518841		1	Propeller	
.	4519049		1	Refrigerant filter+liquid tube assy	
22	94518844		1	Selector XK20/5 07L-1	
3	94518923		1	Suction grill	
19	94510856		1	Switch swing motor KND4	
9	94510884		2	Thermostat bulb support	
21	94518845		1	Thermostat WP15H-L	
14	4519569		1	Top bracket	
11	94511133		1	Turbine	
15	4518931		1	Vertical deflector	
16	4518934		1	Vertical deflector bottom bracket	

Brand :Airwell Model : MAY 90 / R407C

Product Number : 7WT012016

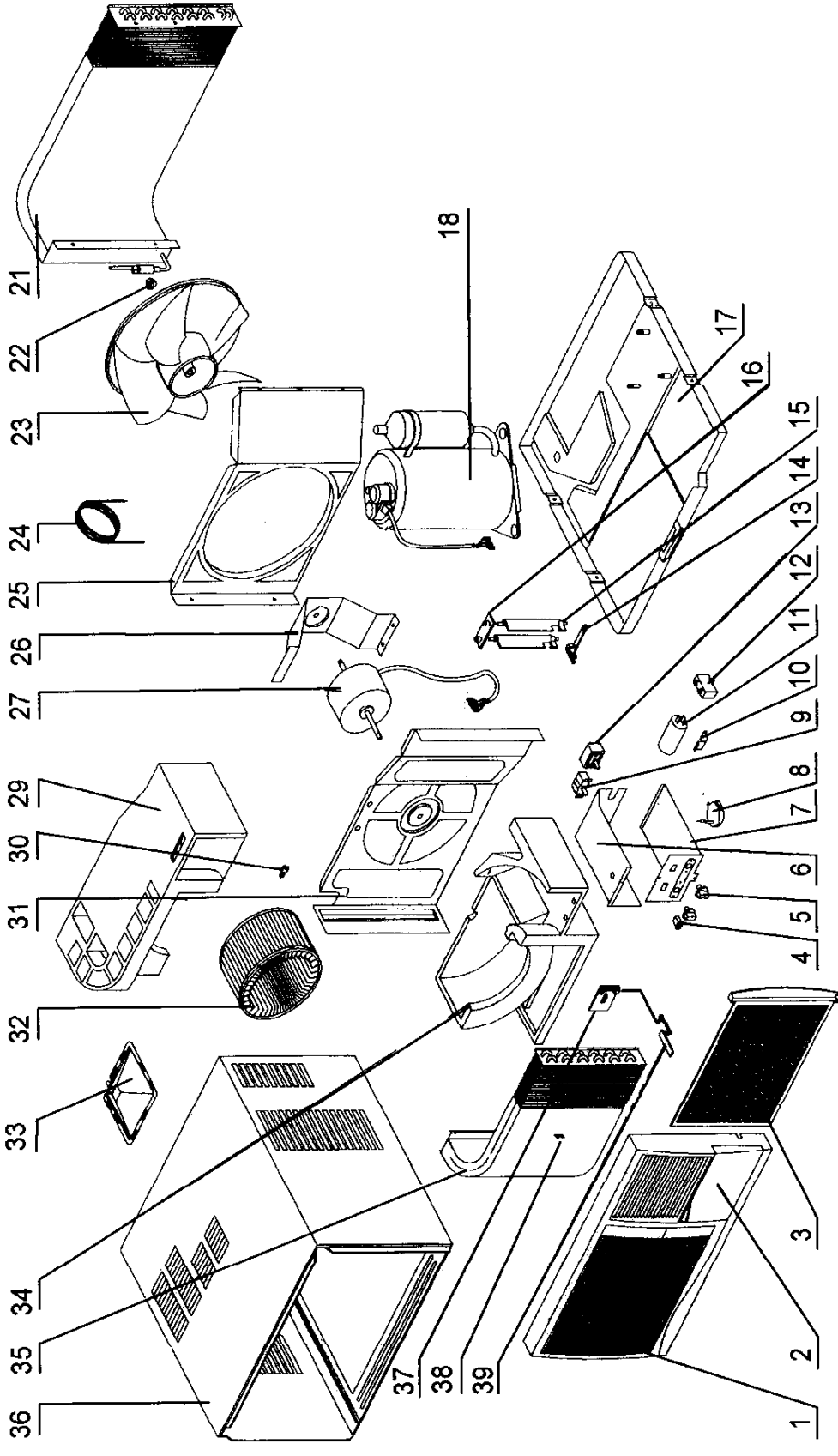
Internal number : 3521

Version : Cooling only 230/1/50

Spare parts list used

Loc	Spare parts code	Replaced by	Qty	Description	Observation
2	94518930		1	Air filter	
27	94519371		1	Capacitor 1uF/450V	
29	455000400		1	Capacitor 25uF/450V	
28	94517990		1	Capacitor 2uF/450V	
50	94519393		1	Capillary 1300mm	
49	94519984		1	Capillary 1500mm	
41	4519905		1	Compressor Toshiba PG170X1CY-4DGE	
42	94519200		1	Compressor wiring	
37	94510936		1	Condensate receptacle	
51	94519046		1	Condenser	
18	94518936		2	Control knob	
20	94518849		1	Control panel	
65	94519155		1	Cover	
17	94519570		1	Deflector control lever	
7	4519917		1	Door	
8	94519052		1	Evaporator	
63	94518995		1	Fan motor Welling YDK-8C-6	
61	4518996		1	Fan motor YDK-15H-4	
1	4519961		1	Front	
26	94518848		1	Motor deflectors	
53	94510679		1	Nut M6	
32	94519919		1	Power cord	
54	94518841		1	Propeller	
22	94518844		1	Selector XK20/5 07L-1	
3	94518923		1	Suction grill	
19	94510856		1	Switch swing motor KND4	
9	94510884		2	Thermostat bulb support	
21	94518845		1	Thermostat WP15H-L	
14	4519569		1	Top bracket	
11	94511133		1	Turbine	
15	4518931		1	Vertical deflector	
16	4518934		1	Vertical deflector bottom bracket	

MAY 110
R 407 C



TH 3491

Création 14/12/2001

Brand :Airwell Model : MAY 110 / R407C

Product Number : 7WT012017

Internal number : 2458

Version : Cooling only 230/1/50

Spare parts list used

Loc	Spare parts code	Replaced by	Qty	Description	Observation
37	94510763		1	Air discharge flap	
3	4517637		1	Air filter	
7	94510841		1	Appliance support	
6	94510853		1	Appliance support cover	
17	94516793		1	Bottom	
31	94510730		1	Bulkhead	
11	233307		1	Capacitor 35uF/400V screw	
12	94517991		1	Capacitor 3uF/450 V	
24	94519941		1	Capillary	
18	94519933		1	Compressor Toshiba PG225X2C-4FS	
33	94510936		1	Condensate receptacle	
21	94516865		1	Condenser	
25	94510762		1	Condenser baffle	
10	94510849		1	Condenser clamp	
5	94510885		2	Control knob	
36	94513297		1	Cover	
16	94510881		1	Deflector higher support	
14	94510878		1	Deflector lower support	
2	94514229		1	Door	
35	94512963		1	Evaporator	
26	94510756		1	Fan motor support	
27	94510752		1	Fan motor Welling YYK 60-6G 230/50	
39	94510745		1	Flap control (discharge)	
1	94514293		1	Front	
.	4510929		1	Grey gasket	
34	94510749		1	Lower discharge unit	
8	94510850		1	Motor deflectors 49TYJ02-QX	
23	94510765		1	Propeller	
22	94510692		1	Propeller attachment nut	
13	94510958		1	Selector XK20/5	
4	94510856		1	Switch swing motor KND4	
38	94510884		2	Thermostat bulb support	
9	94510957		1	Thermostat WK17X-100-100	
32	94510750		1	Turbine	

Brand :Airwell Model : MAY 110 / R407C

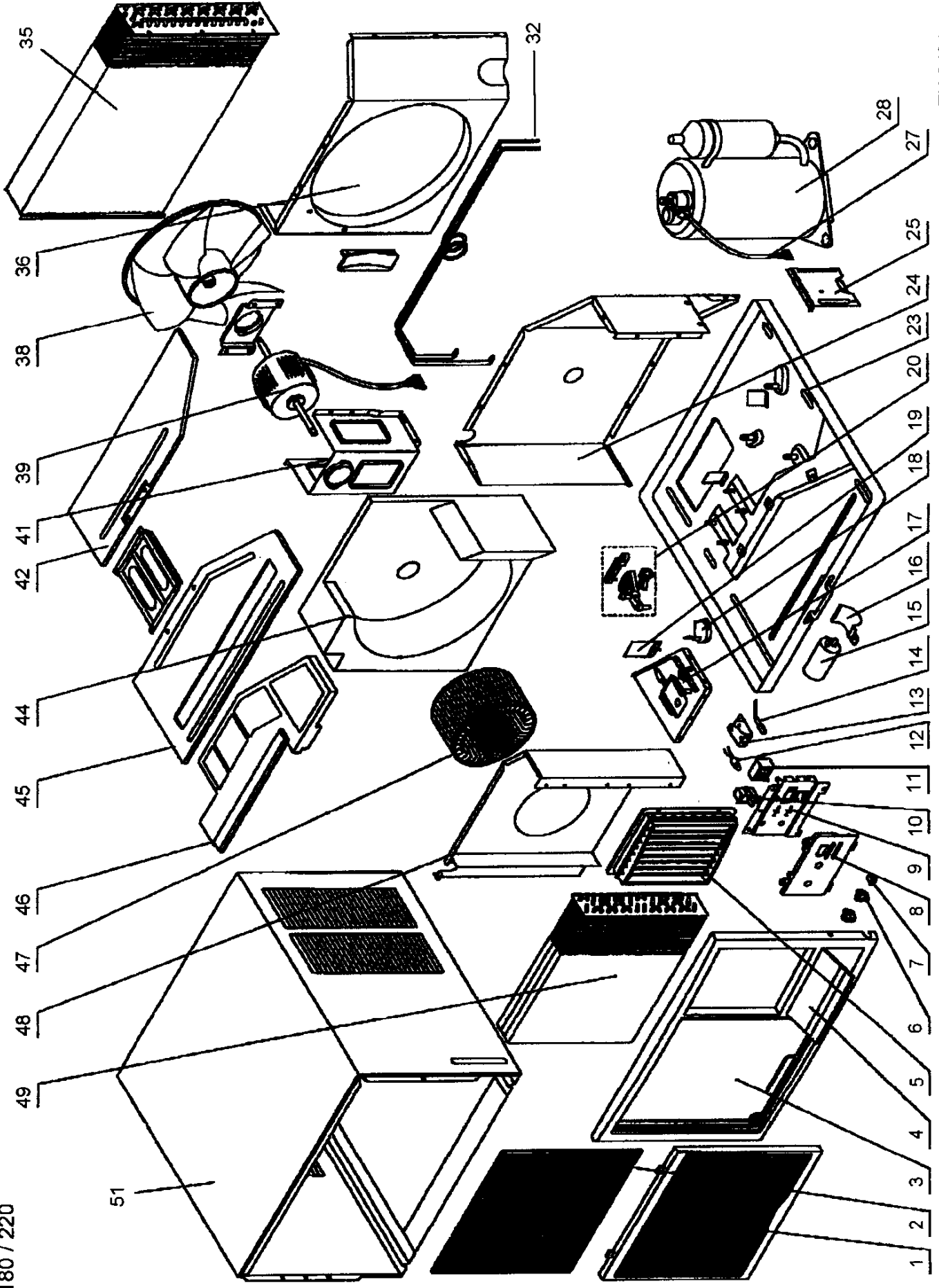
Product Number : 7WT012017

Internal number : 2458

Version : Cooling only 230/1/50

Spare parts list used

Loc	Spare parts code	Replaced by	Qty	Description	Observation
30	94510678		1	Turbine attaching screw	
29	94510880		1	Upper discharge unit	
15	94510877		2	Vertical deflector	



Brand :Airwell Model : MAY 180 / R407C

Product Number : 7WT012028

Internal number : 3248

Version : Cooling only 230/1/50

Spare parts list used

Loc	Spare parts code	Replaced by	Qty	Description	Observation
5	94515420		1	Air deflector assembly	
19	94515413		1	Air discharge flap	
2	94515423		1	Air filter	
9	94515532		1	Appliance support	
17	94515416		1	Appliance support cover	
23	4525352		1	Bottom	
24	94515530		1	Bulkhead	
15	455000200		1	Capacitor 40uF+7uF	
32	4524253		1	Capillary OD2.6*ID1.4*L10	
32	4524254		1	Capillary OD2.6*ID1.4*L900	
28	4521217		1	Compressor Toshiba PG330X2CS-4KT3/R407C	
27	94515562		1	Compressor wiring	
35	4515742		1	Condenser	
36	94515244		1	Condenser baffle	
45	94515536		1	Condenser baffle cover	
42	94515537		1	Condenser baffle cover	
16	94515535		1	Condenser clamp	
6	94516573		2	Control knob	
8	94516477		1	Control panel	
51	94516474		1	Cover	
20	94515414		1	Deflector control	
44	94515433		1	Discharge unit	
46	94515490		1	Discharge unit Cover	
49	4516010		1	Evaporator	
48	94515523		1	Evaporator bafffe	
39	94515566		1	Fan motor	
41	94515526		1	Fan motor support	
14	94515539		1	Flap control	
3	4515422		1	Front assembly	
12	94515750		1	Light	
18	94515569		1	Motor deflectors	
38	94515561		1	Propeller	
.	4516076		1	Refrigerant filter	
13	94515538		1	Select shaft bracket	

Brand :Airwell Model : MAY 180 / R407C

Product Number : 7WT012028

Internal number : 3248

Version : Cooling only 230/1/50

Spare parts list used

Loc	Spare parts code	Replaced by	Qty	Description	Observation
11	94515747		1	Selector	
25	94515533		1	Side cover	
1	94515559		1	Suction grill	
7	94515748		1	Swing switch	
10	94515746		1	Thermostat	
47	94515560		1	Turbine	

Brand :Airwell Model : MAY 220 / R407C

Product Number : 7WT012030

Internal number : 3249

Version : Cooling only 230/1/50

Spare parts list used

Loc	Spare parts code	Replaced by	Qty	Description	Observation
5	94515420		1	Air deflector assembly	
19	94515413		1	Air discharge flap	
2	94515423		1	Air filter	
9	94515532		1	Appliance support	
17	94515416		1	Appliance support cover	
23	94516530		1	Bottom	
24	94515530		1	Bulkhead	
15	4524247		1	Capacitor 50uF+8uF	
32	4524255		2	Capillary OD3.0*ID1.6*L90	
28	4523875		1	Compressor Toshiba PG400X3CS-4KU1/R407C	
27	94515562		1	Compressor wiring	
35	4517284		1	Condenser	
36	94515244		1	Condenser baffle	
45	94515536		1	Condenser baffle cover	
42	94515537		1	Condenser baffle cover	
16	94515535		1	Condenser clamp	
6	94516573		2	Control knob	
8	94516477		1	Control panel	
51	94516474		1	Cover	
20	94515414		1	Deflector control	
44	94515433		1	Discharge unit	
46	94515490		1	Discharge unit Cover	
49	4516011		1	Evaporator	
48	94515523		1	Evaporator baffle	
39	4517274		1	Fan motor	
41	94515526		1	Fan motor support	
14	94515539		1	Flap control	
3	4516478		1	Front assembly	
12	94515750		1	Light	
18	94515569		1	Motor deflectors	
38	94515561		1	Propeller	
13	94515538		1	Select shaft bracket	
11	94515747		1	Selector	
25	94515533		1	Side cover	

Brand :Airwell Model : MAY 220 / R407C

Product Number : 7WT012030

Internal number : 3249

Version : Cooling only 230/1/50

Spare parts list used

Loc	Spare parts code	Replaced by	Qty	Description	Observation
1	94515559		1	Suction grill	
7	94515748		1	Swing switch	
10	94515746		1	Thermostat	
47	94515560		1	Turbine	